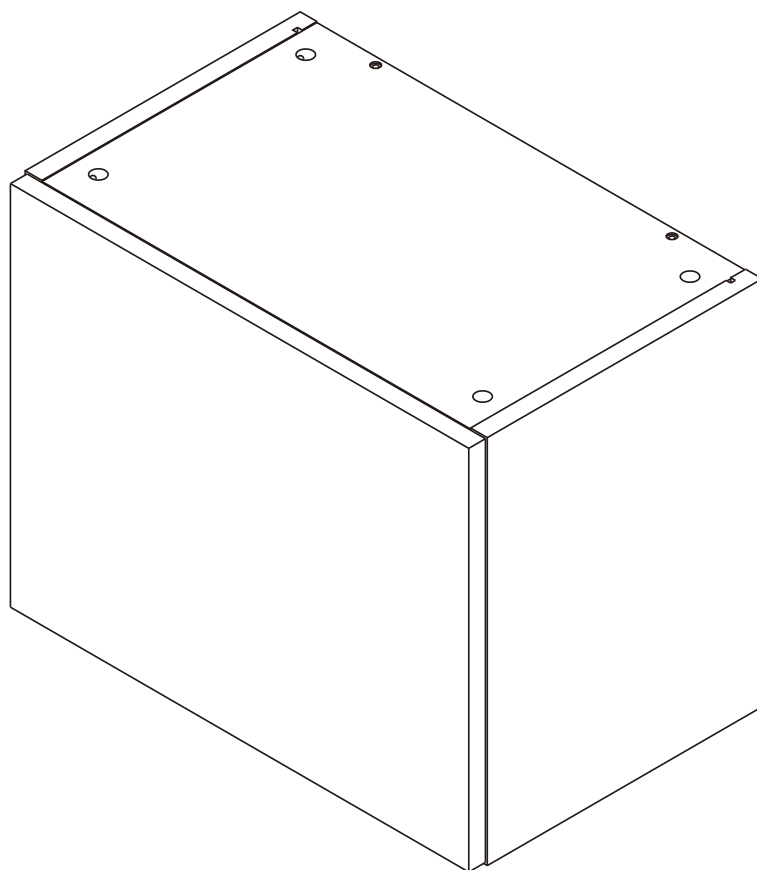


SUPREME

Dressing Connet W50 cm.



CONNECT SYSTEM

1

2

(Connecting bolts)

3

WHEN FITTING CAMS
 ENSURE STARTING POSITION IS CORRECT
 BEFORE YOU INSERT CONNECTING BOLT
 TURN CLOCKWISE UNTIL SECURE

 ✓ CORRECT	 ✗ WRONG
--------------------------------	------------------------------

#5x5/8"

#5x1/2"

#5x5/8"

#5x1/2"

Door

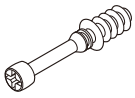
Click!

M4x16mm.

DOOR PANEL

HARDWARE

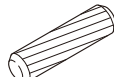
-BODY SET



x 8



x 8



8x35mm.

x 12



Ø 11mm.

x 6



M4x30mm.

x 8



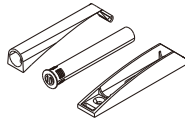
#5x1/2"

x 1



#5x5/8"

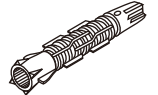
x 2



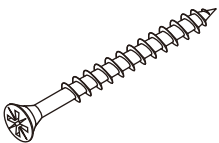
x 1



x 1

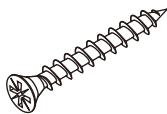


x 2



M5x70mm.

x 2



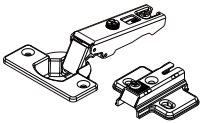
M4x40mm.

x 2

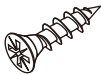


x 2

-DOOR SET



x 2



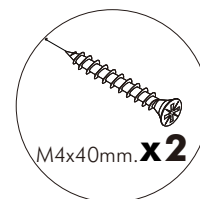
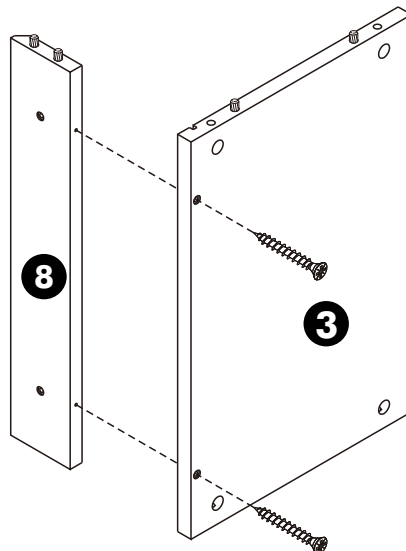
M4x16mm.

x 8

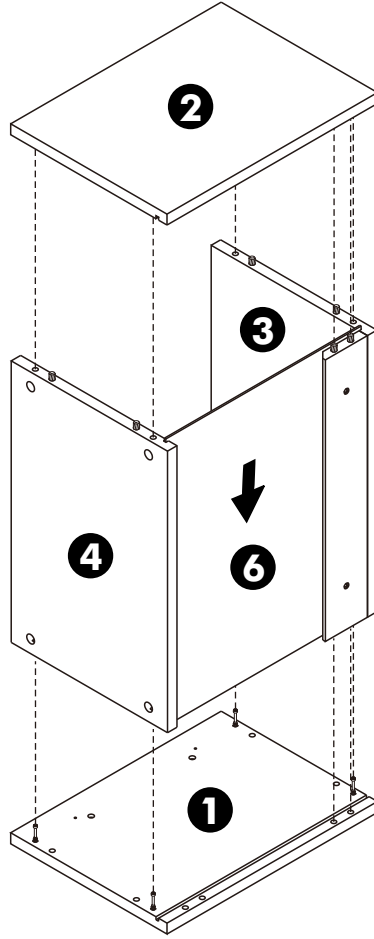
ASSEMBLY

-BODY SET

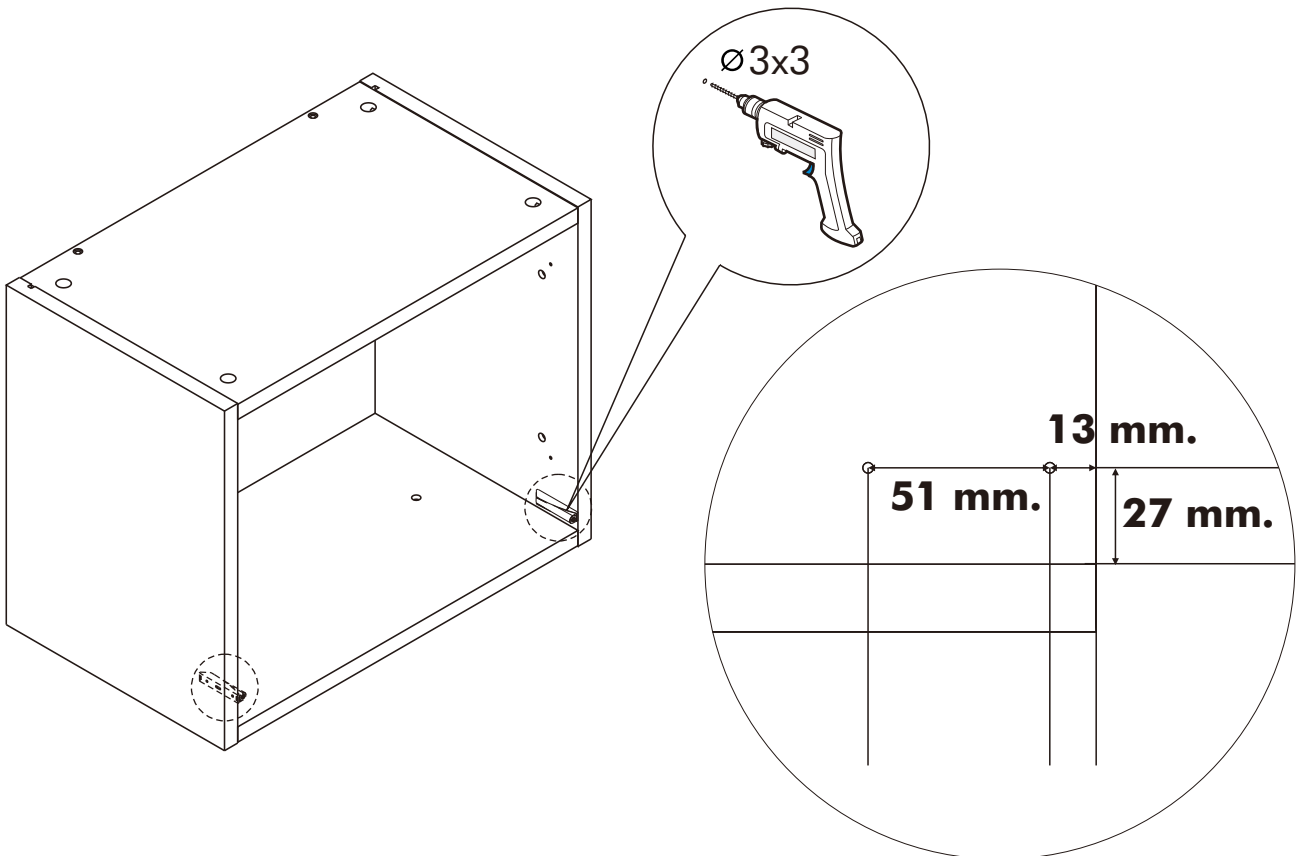
1.



2.

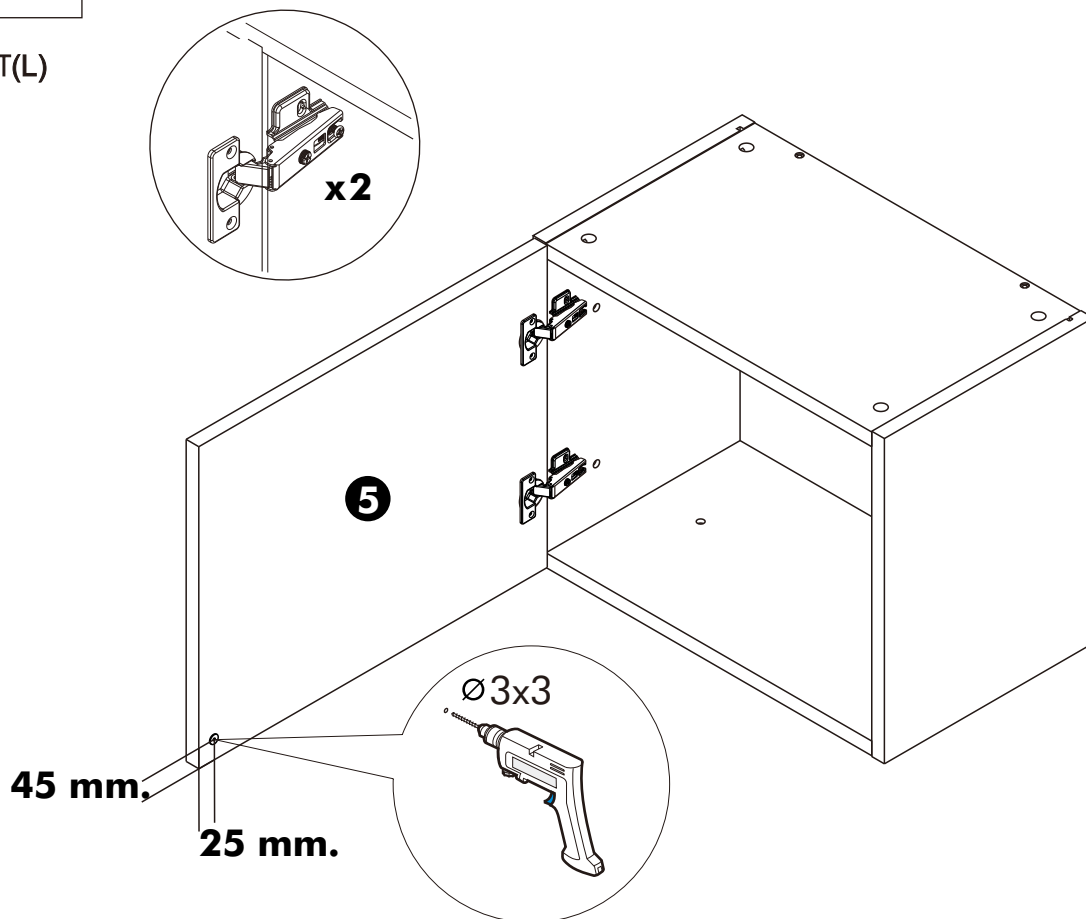


3L,R.



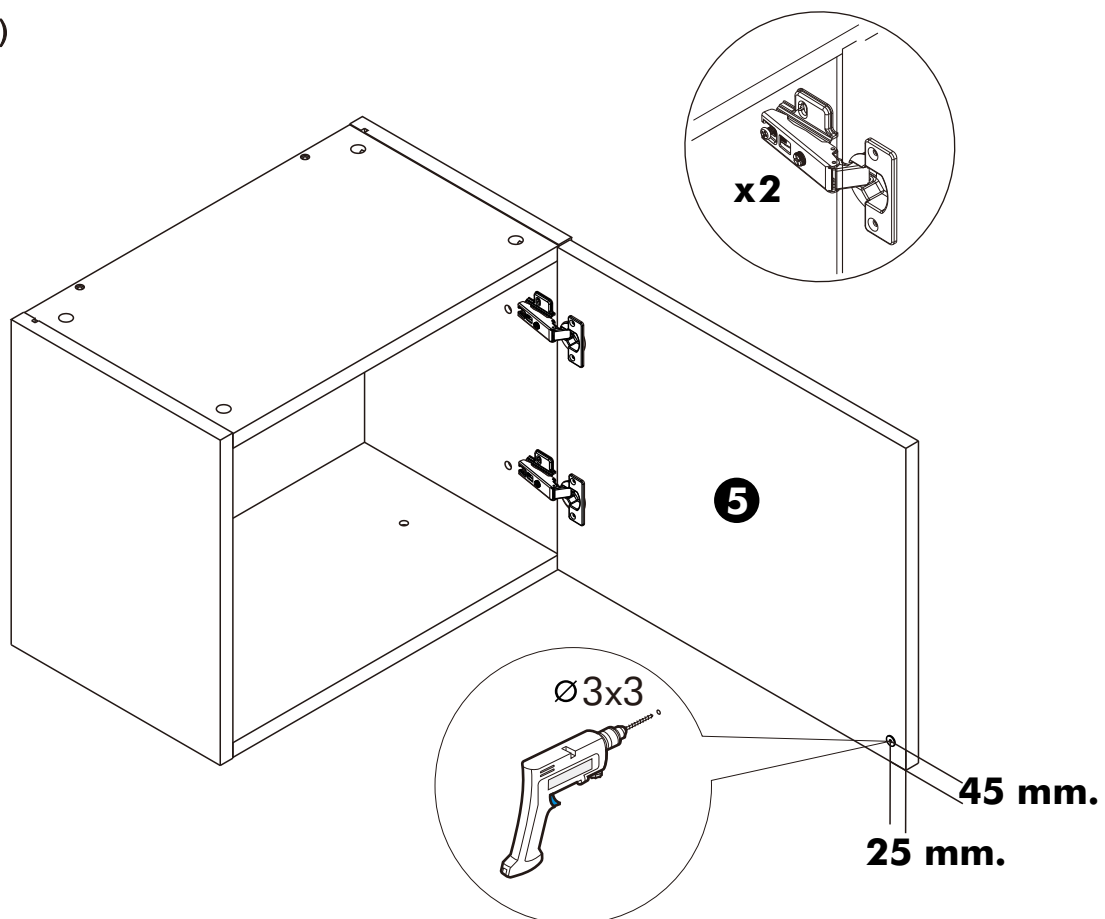
ASSEMBLY

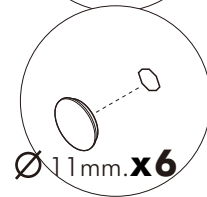
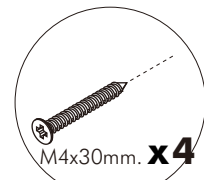
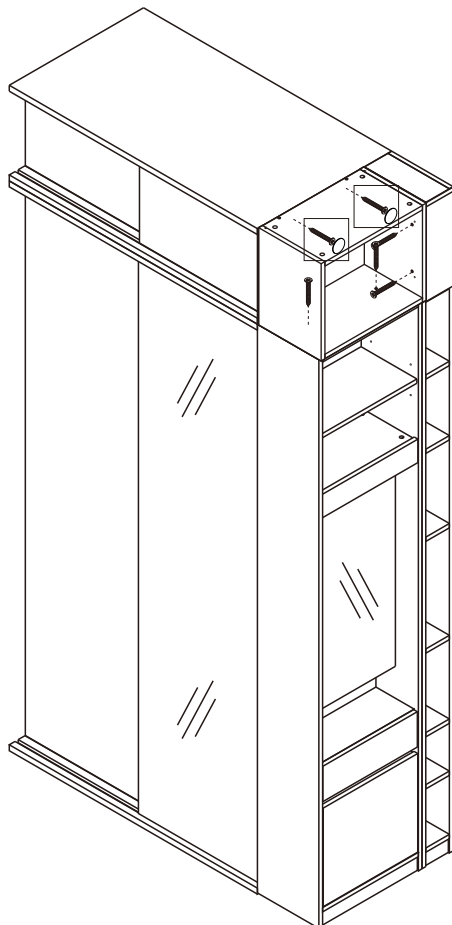
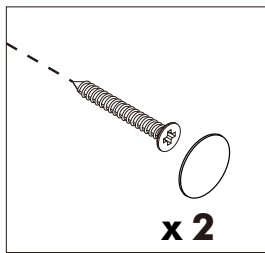
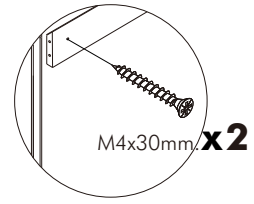
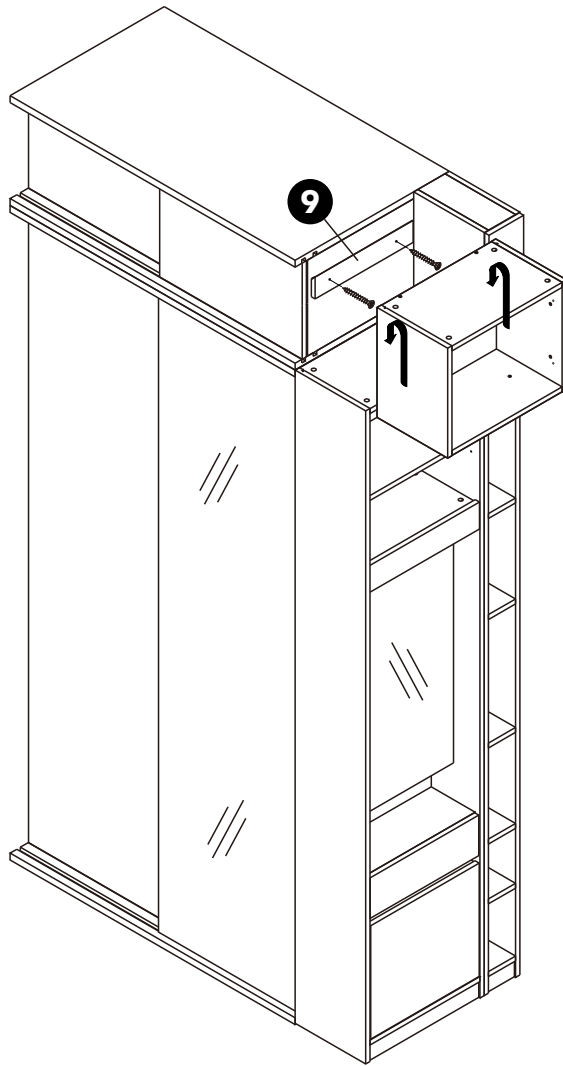
-DOOR SET(L)



ASSEMBLY

-DOOR SET(R)

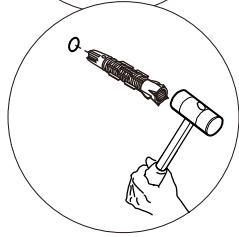
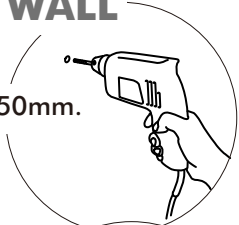






WALL

Ø 7x50mm.



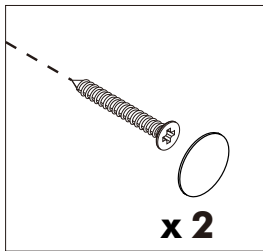
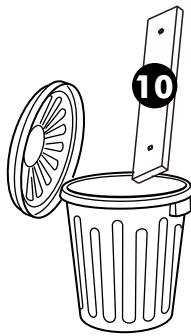
x2

10

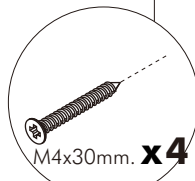
M5x70mm. x2

9

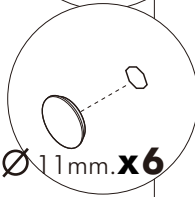
M4x30mm. x2



x 2



M4x30mm. x4



Ø 11mm. x6