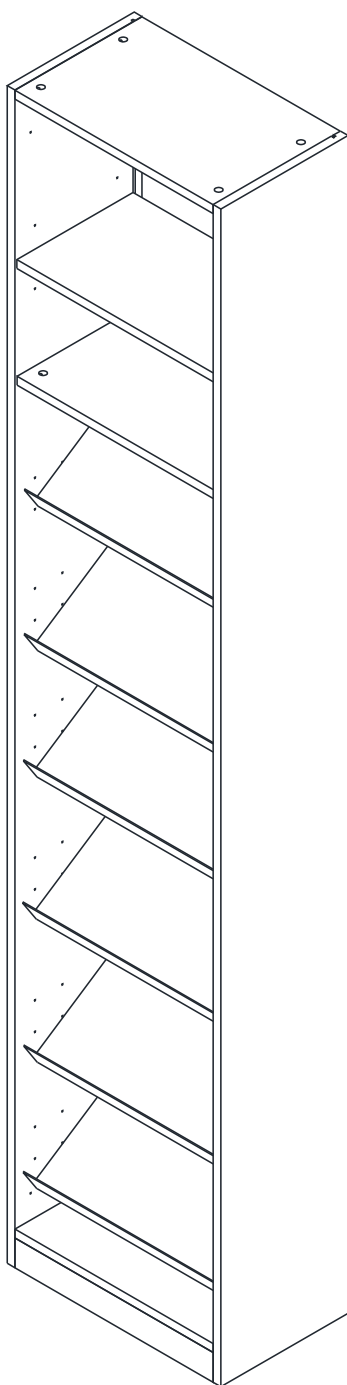


SUPREME

Shoes cabinet W50 cm.



CONNECT SYSTEM

1

2

(Connecting bolts)

3

WHEN FITTING CAMS
ENSURE STARTING POSITION IS CORRECT
BEFORE YOU INSERT CONNECTING BOLT
TURN CLOCKWISE UNTIL SECURE

✓				✗
↑				
	CORRECT	WRONG		

1 Pc. $\leq 190\text{mm}$

2 Pcs. $\geq 191-850\text{mm}$

3 Pcs. $> 850-2000\text{mm}$

4 Pcs. $> 2001\text{mm}$

i

40mm.

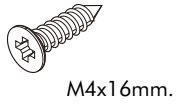
EQ

OUT

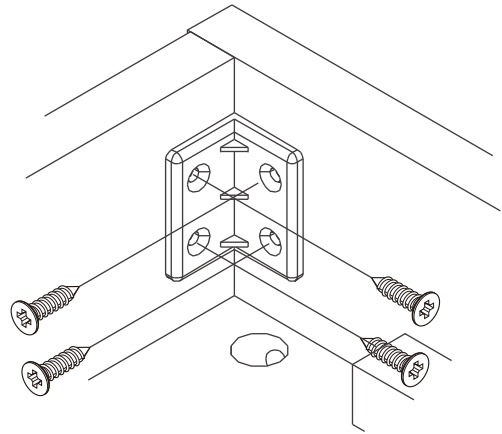
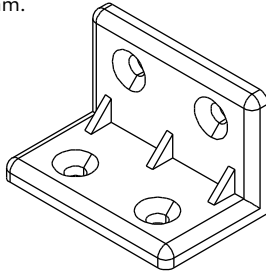
IN

M4x16mm.

M4x30mm.

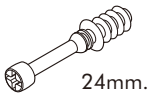


M4x16mm.



HARDWARE

-BODY SET

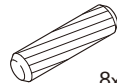


24mm.

x 12

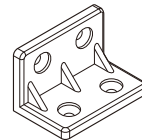


x 12

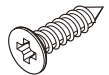


8x35

x 16

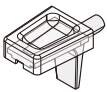


x 6

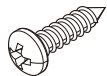


M4x16mm.

x 78

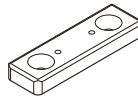


x 28

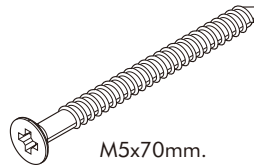


M4x16mm.

x 4

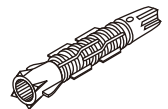


x 6

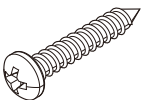


M5x70mm.

x 3

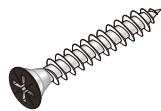


x 3



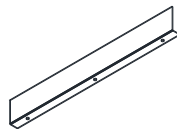
M4x30mm.

x 8



M4x30mm.

x 8



x 6



x 4

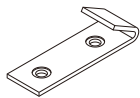


M3.5x20mm.

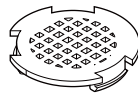
x 4



x 7



x 12



x 3



x 2

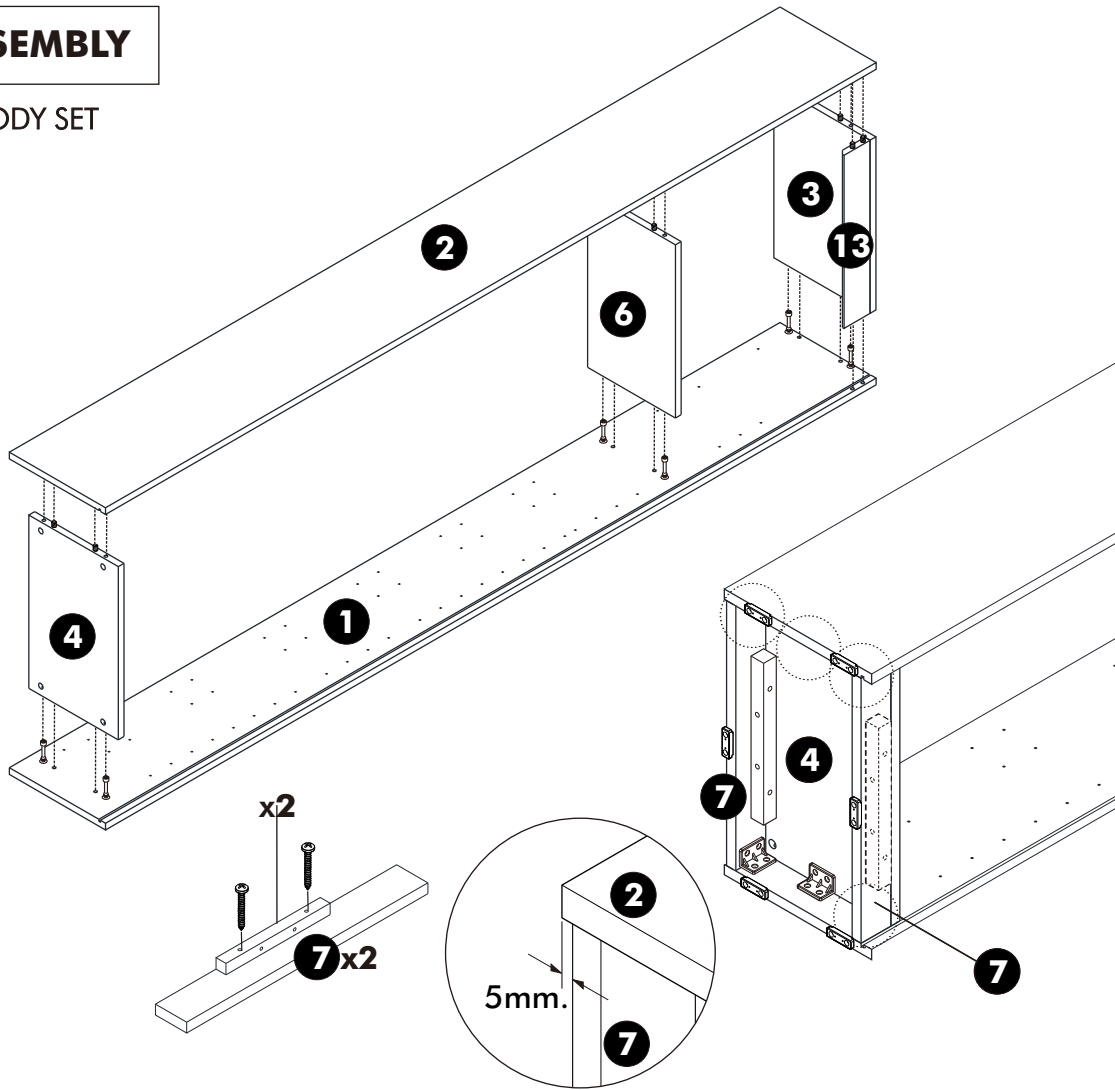


x 4

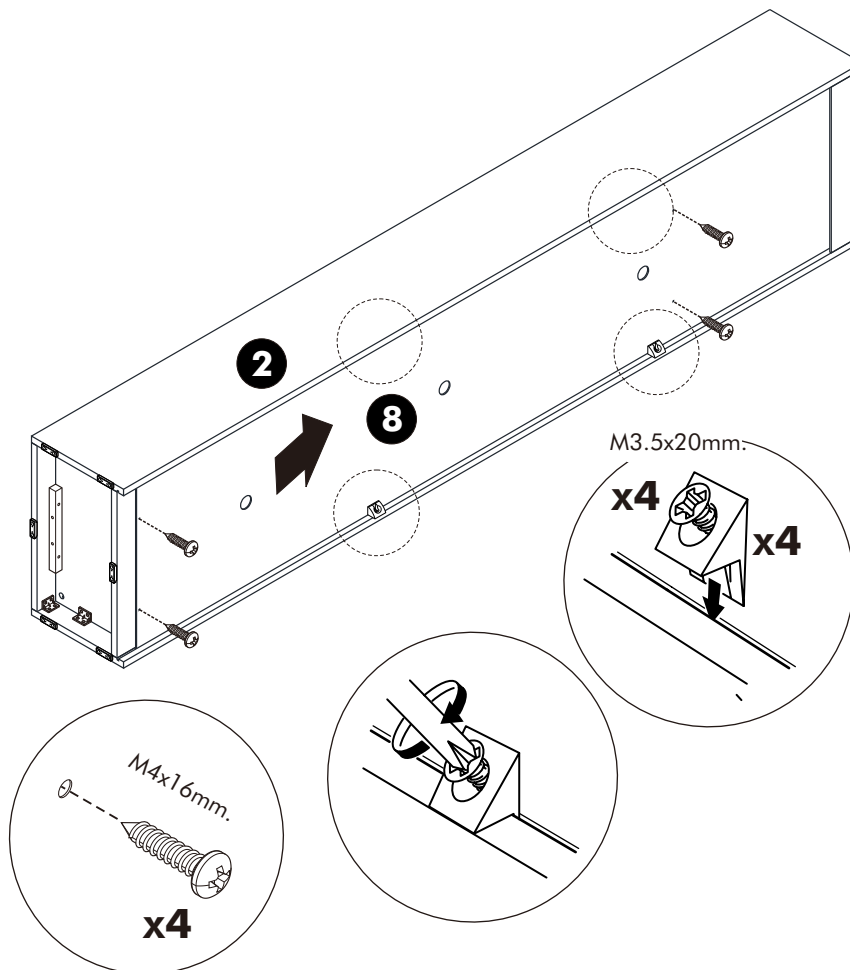
ASSEMBLY

-BODY SET

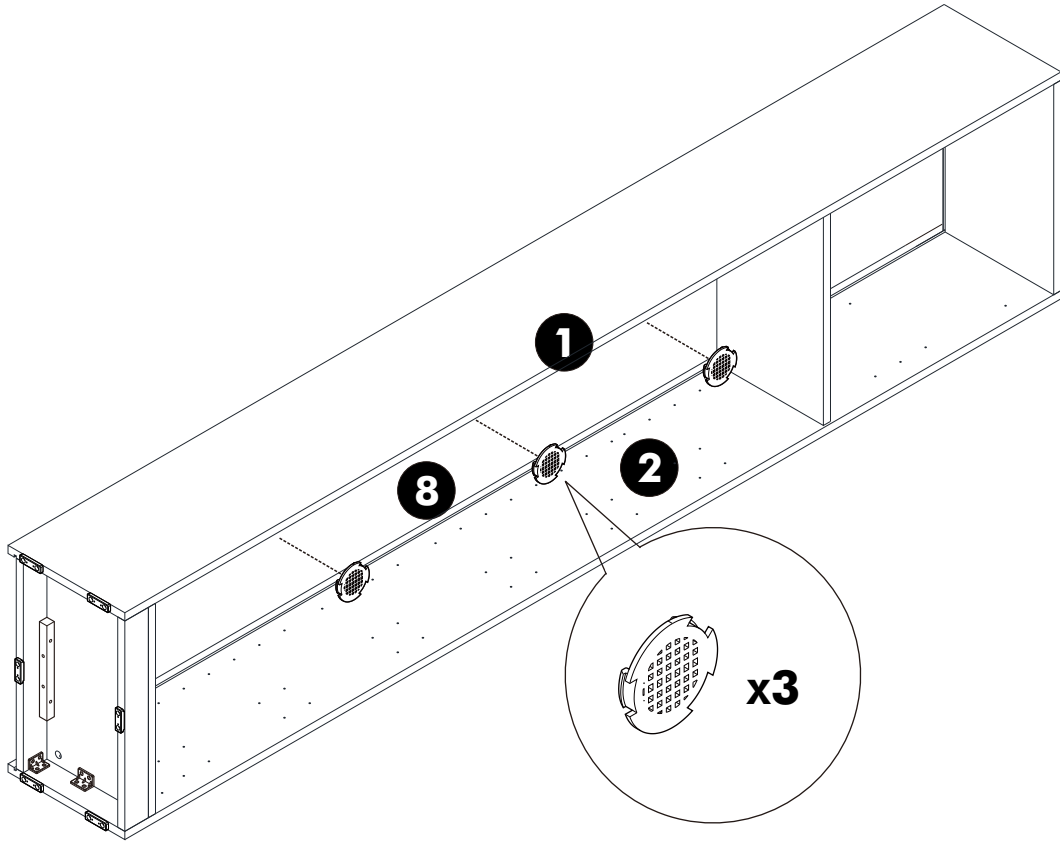
1.



2.

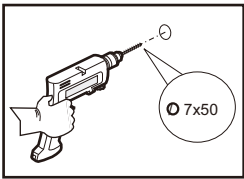


3.



4.

Function:1



นํ้าพลาสติกคอนกรีต(ผนังคอนกรีต)

