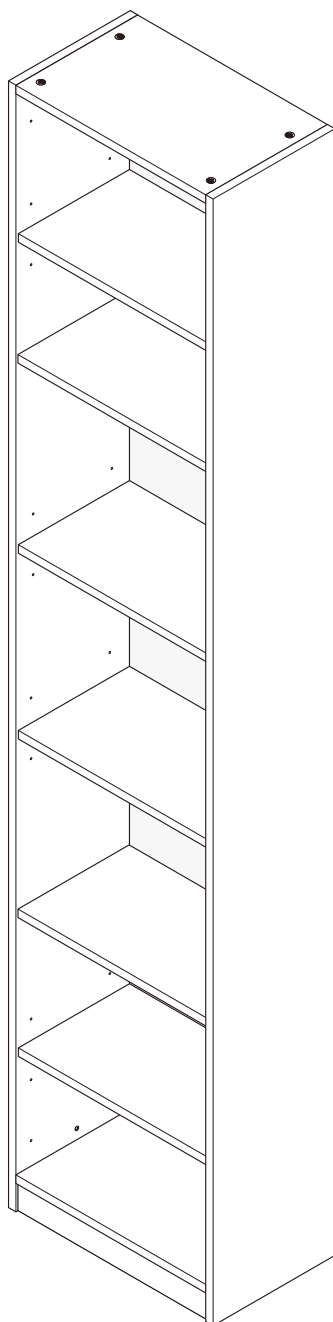


# SUPREME

High cabinet W50 cm.



# CONNECT SYSTEM

**1**

**2**

(Connecting bolts)

**3**

**WHEN FITTING CAMS**  
ENSURE STARTING POSITION IS CORRECT  
BEFORE YOU INSERT CONNECTING BOLT  
TURN CLOCKWISE UNTIL SECURE

<p>✓</p> <p>↑</p> <p><b>CORRECT</b></p>	<p>✗</p> <p>↓</p> <p><b>WRONG</b></p>
---	---------------------------------------

1 Pc.  $\leq 190\text{mm}$

2 Pcs.  $\geq 191-850\text{mm}$

3 Pcs.  $> 850-2000\text{mm}$

4 Pcs.  $> 2001\text{mm}$

**i**

40mm.

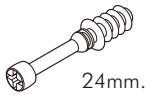
M4x16mm.

**OUT** **IN**

M4x30mm.

# HARDWARE

## -BODY SET

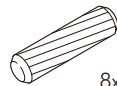


24mm.

**x 16**

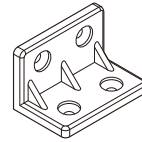


**x 16**

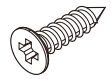


8x35

**x 20**

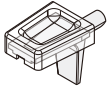


**x 6**



M4x16mm.

**x 36**

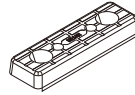


**x 16**

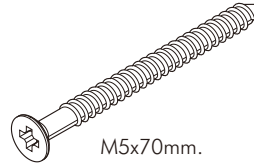


M4x16mm.

**x 6**

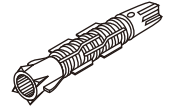


**x 6**

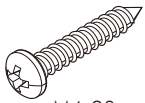


M5x70mm.

**x 3**

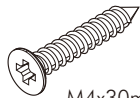


**x 3**



M4x30mm.

**x 8**



M4x30mm.

**x 7**



**x 4**



M3.5x20mm.

**x 4**



**x 4**



**x 4**

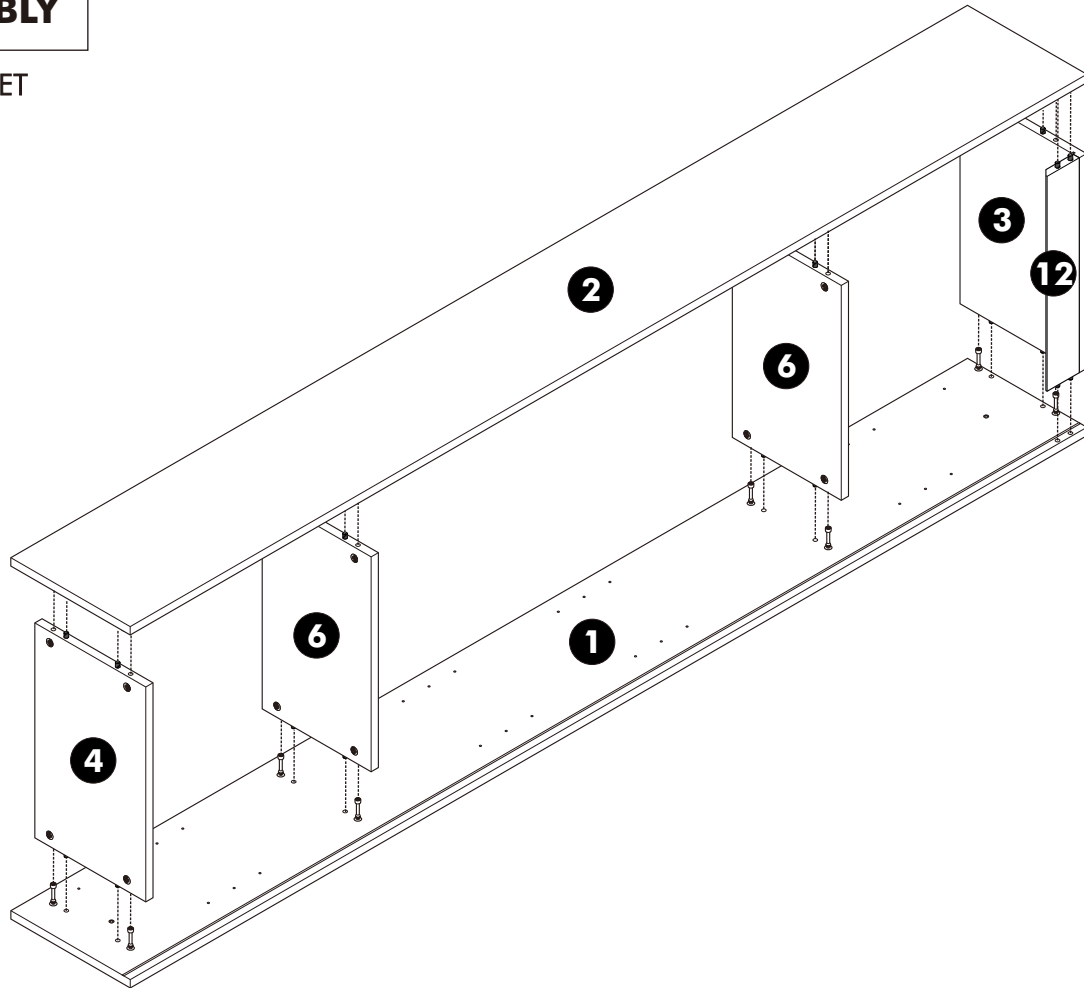


**x 3**

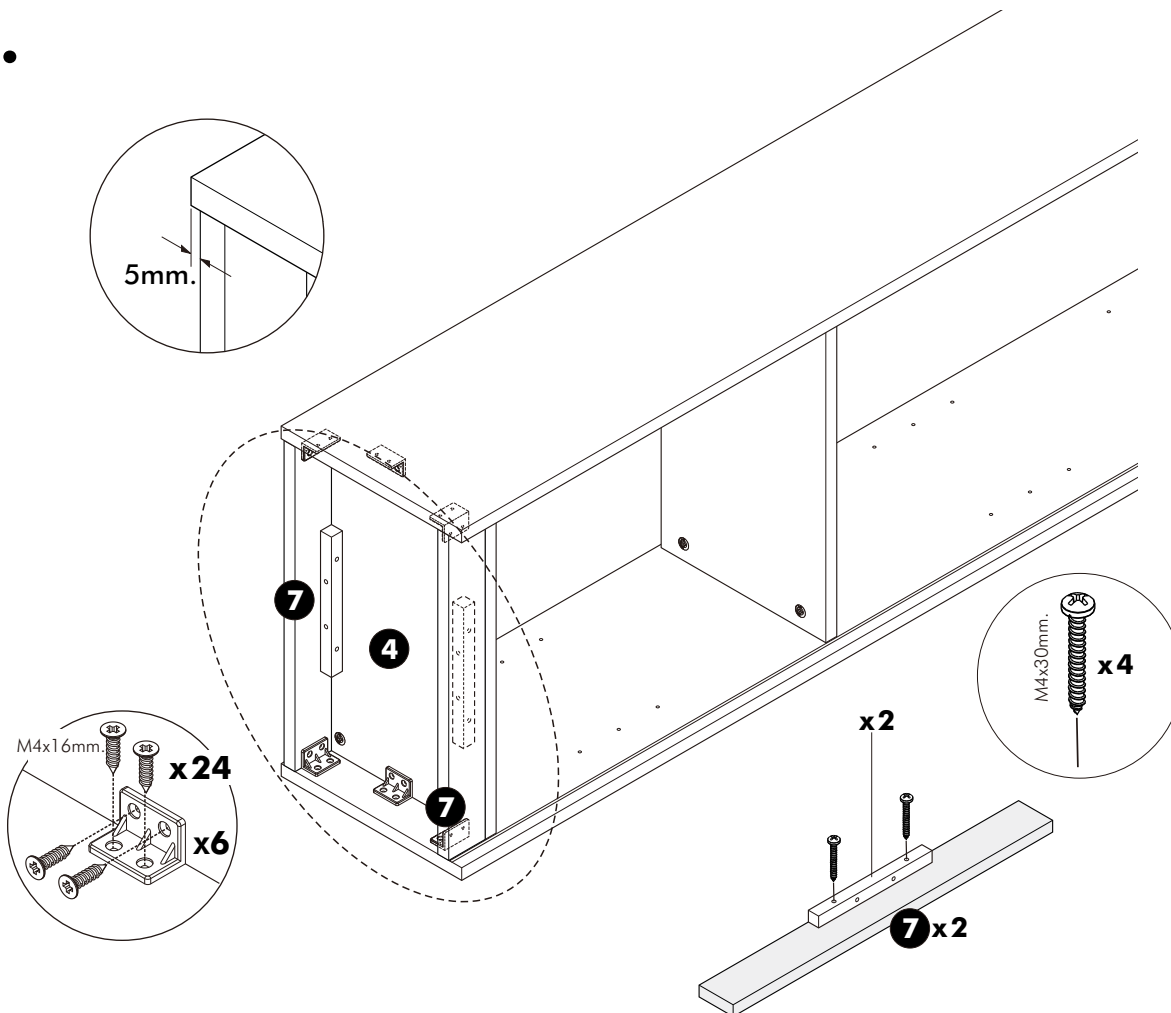
# ASSEMBLY

-BODY SET

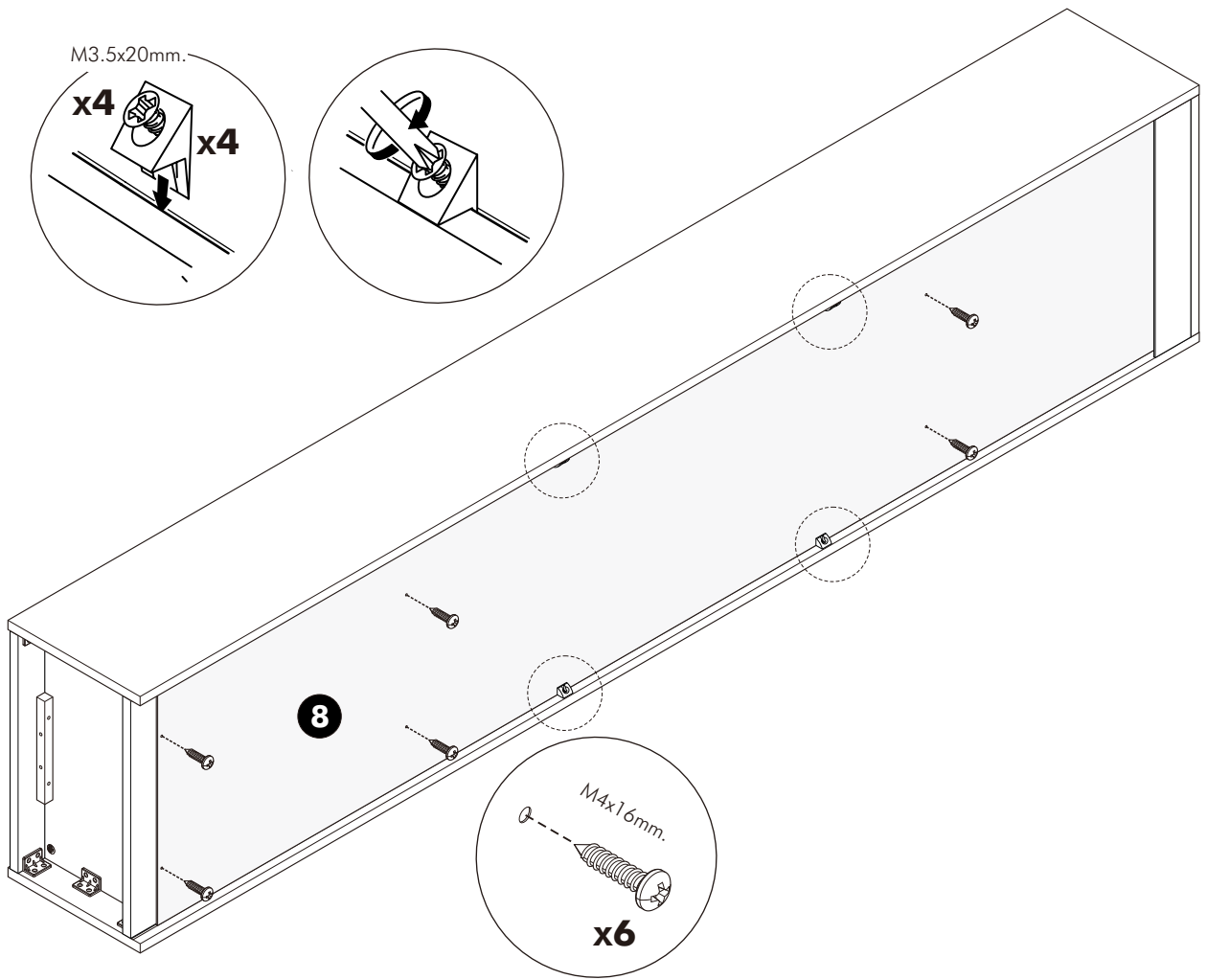
## 1.

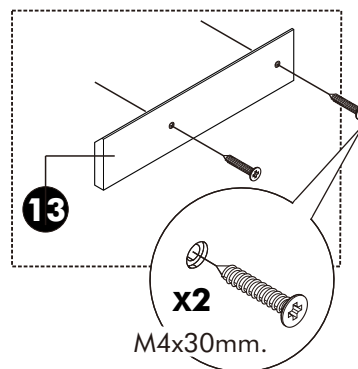
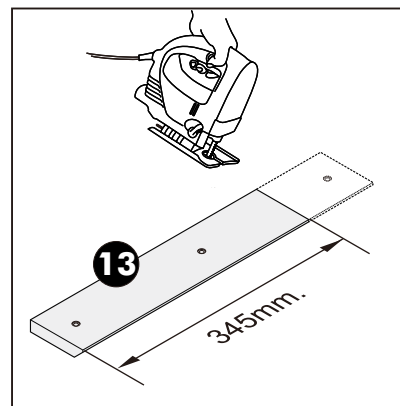
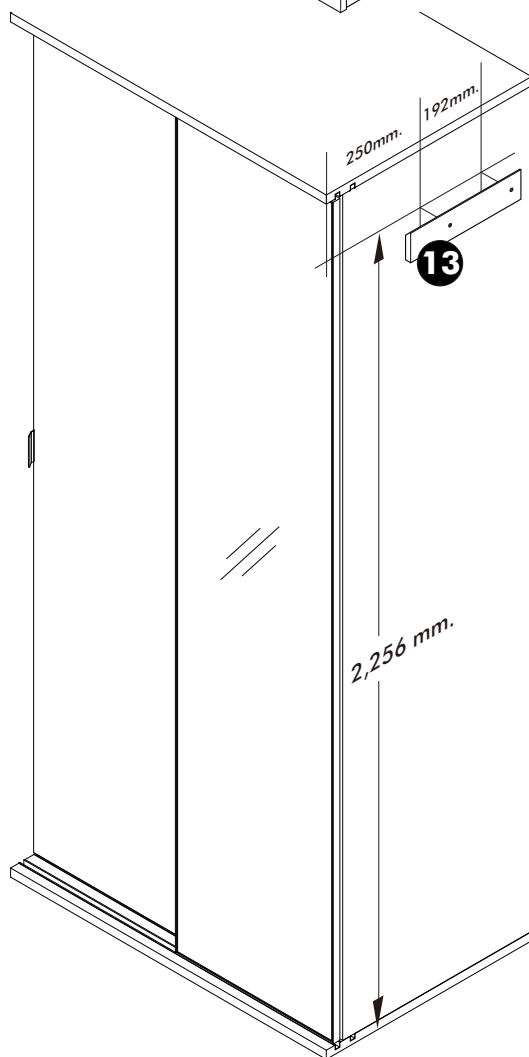
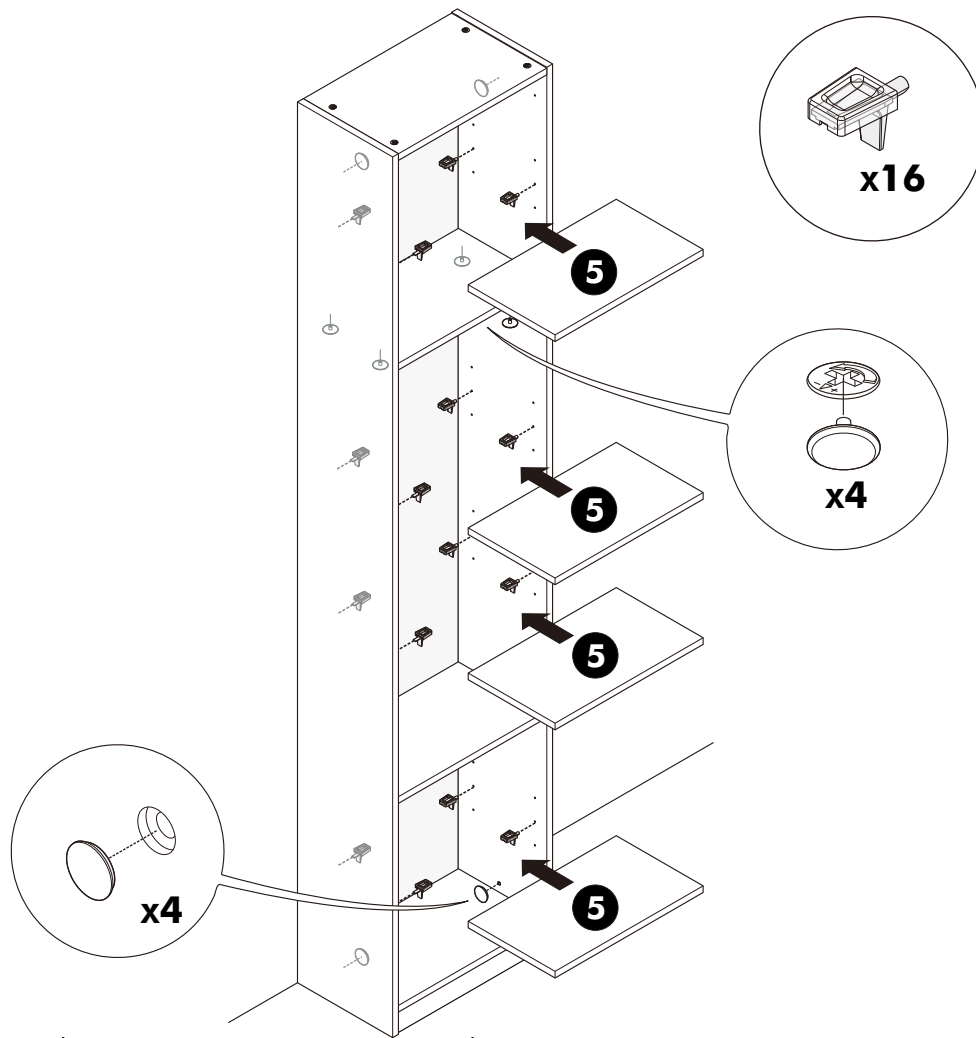


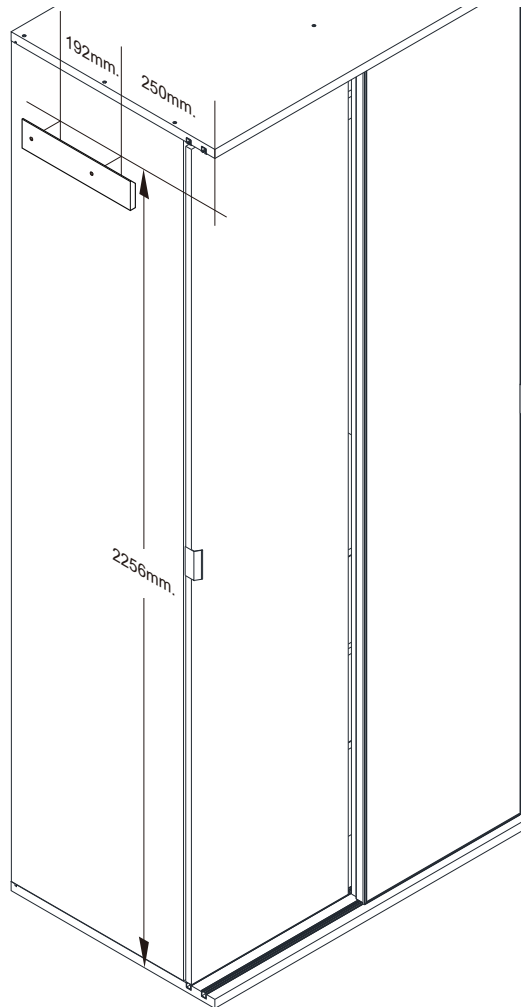
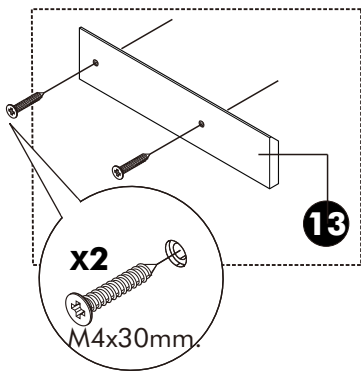
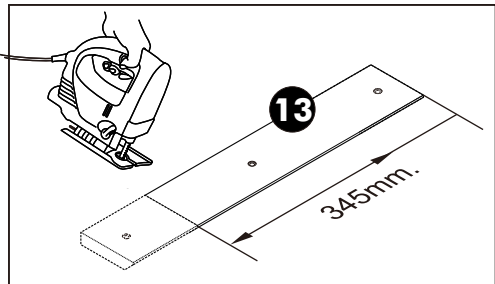
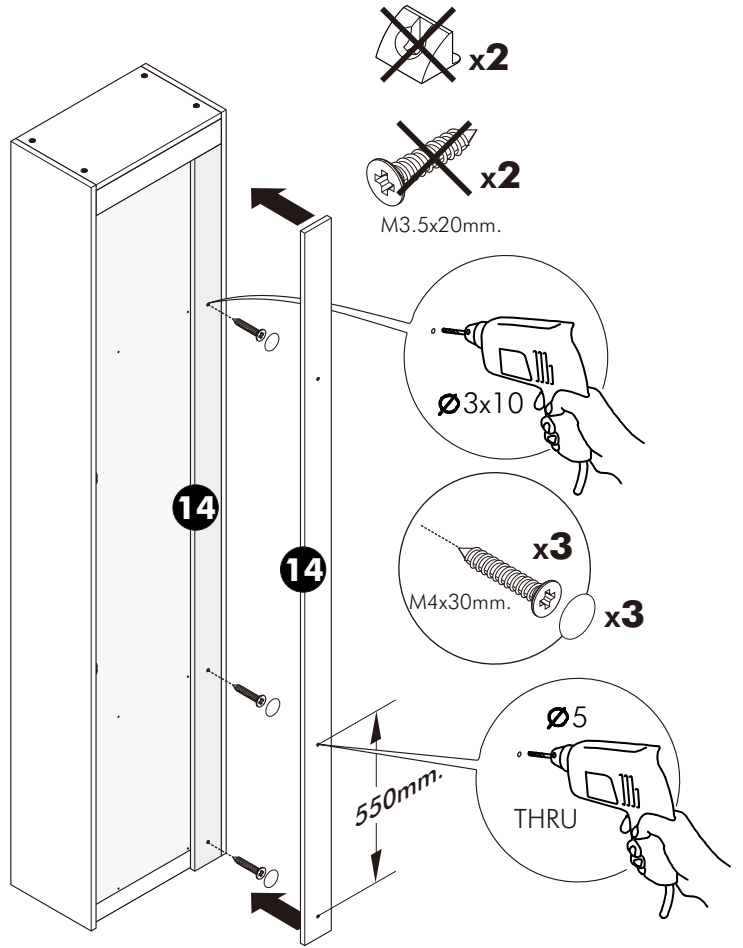
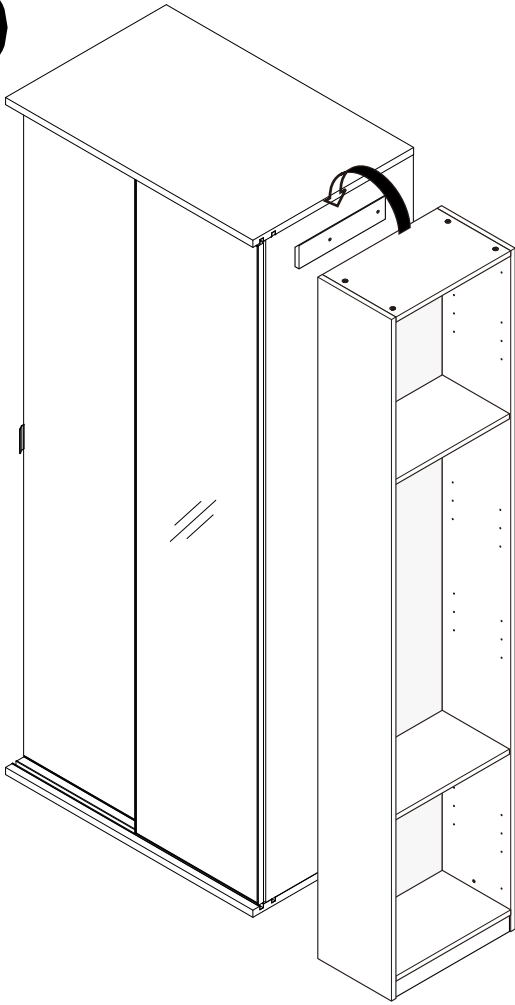
## 2.

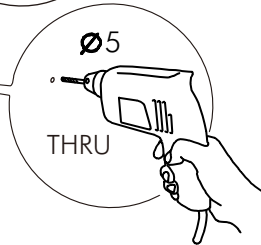
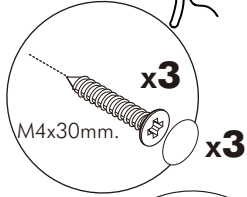
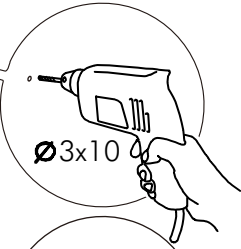
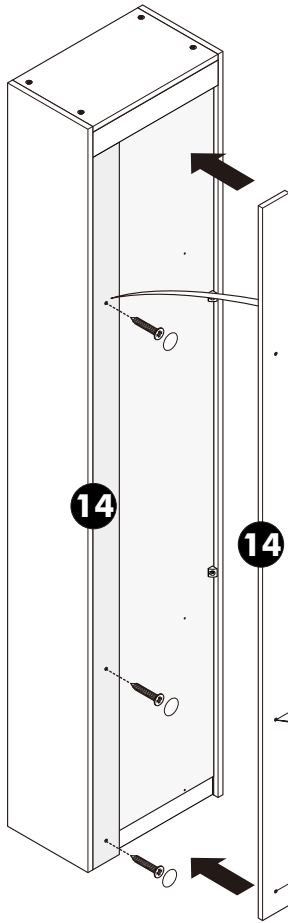


**3.**









550mm.

