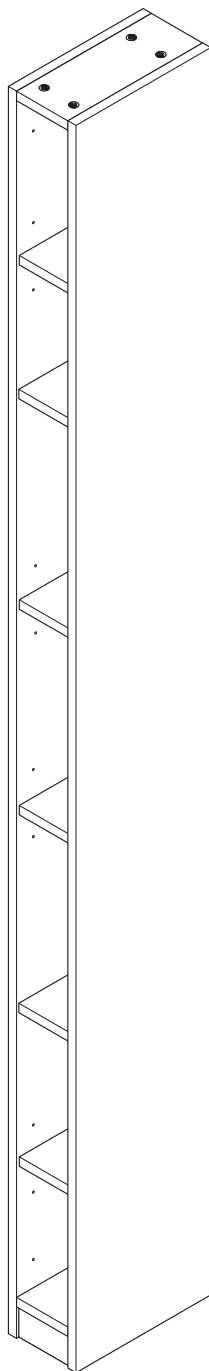


SUPREME

High cabinet W15 cm.



CONNECT SYSTEM

1

3

2

(Connecting bolts)

WHEN FITTING CAMS
ENSURE STARTING POSITION IS CORRECT
BEFORE YOU INSERT CONNECTING BOLT
TURN CLOCKWISE UNTIL SECURE

✓

↑

CORRECT

✗

↑

WRONG

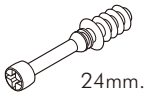
i

M4x16mm.

M4x16mm.

HARDWARE

-BODY SET

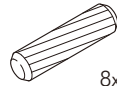


24mm.

x 16

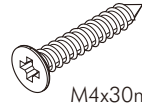


x 16



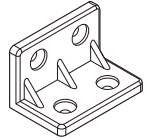
8x35

x 20

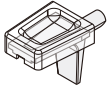


M4x30mm.

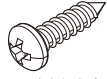
x 3



x 6

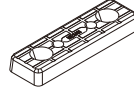


x 16

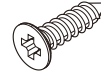


M4x16mm.

x 3

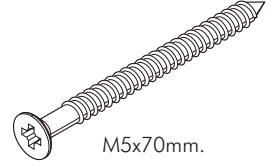


x 6



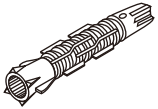
M4x16mm.

x 36



M5x70mm.

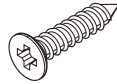
x 2



x 2



x 4



M3.5x20mm.

x 4

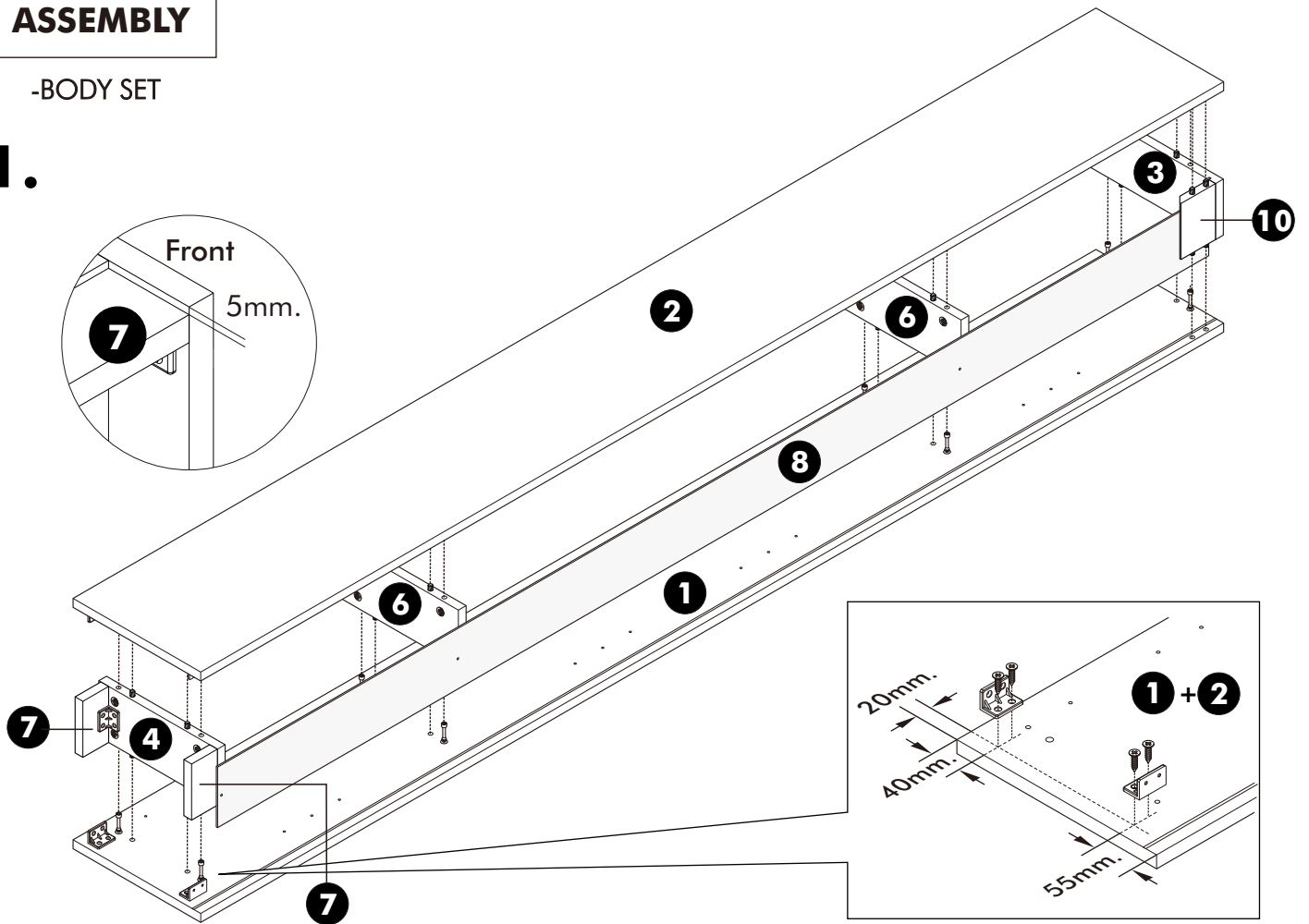


x 4

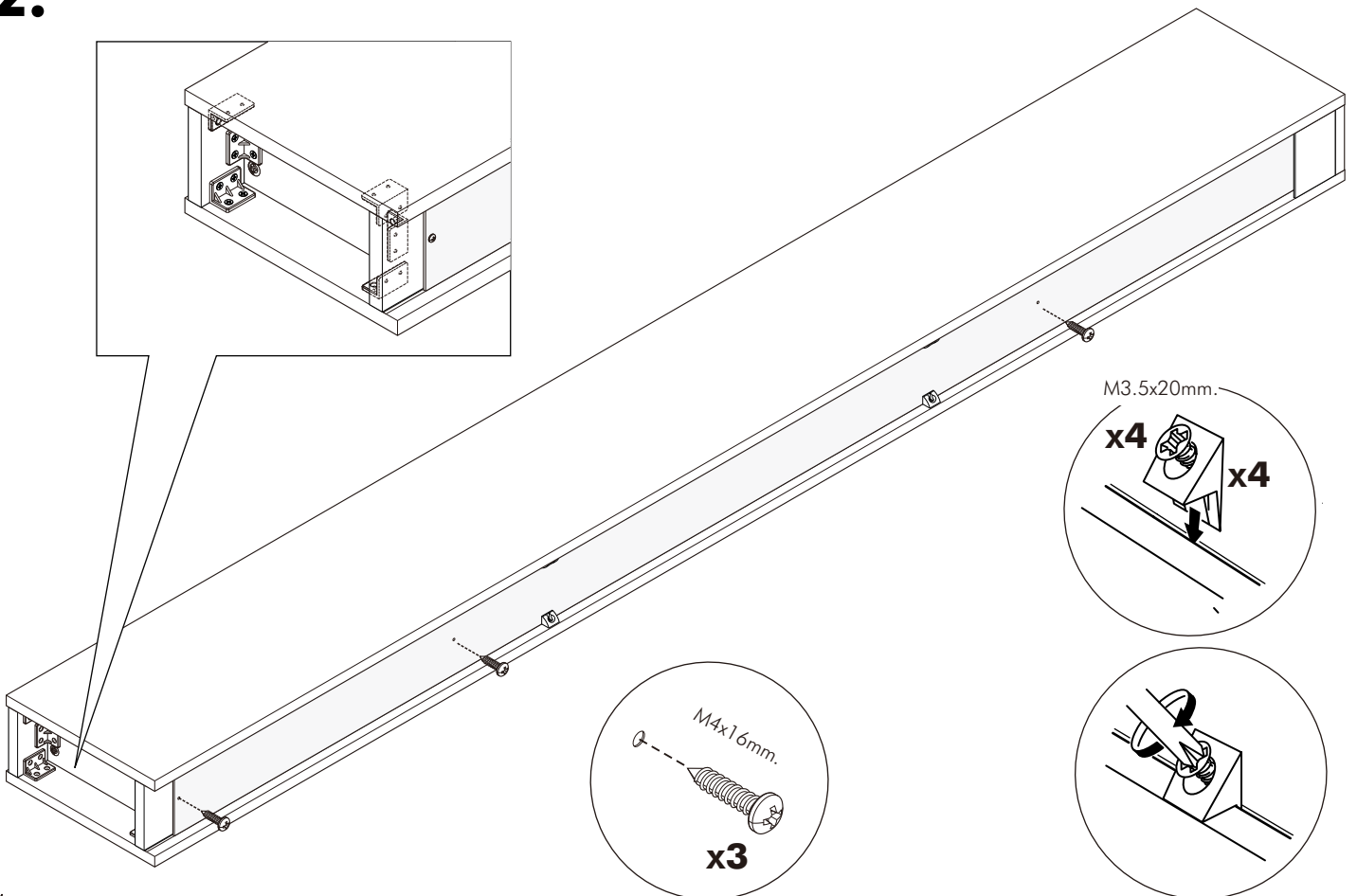
ASSEMBLY

-BODY SET

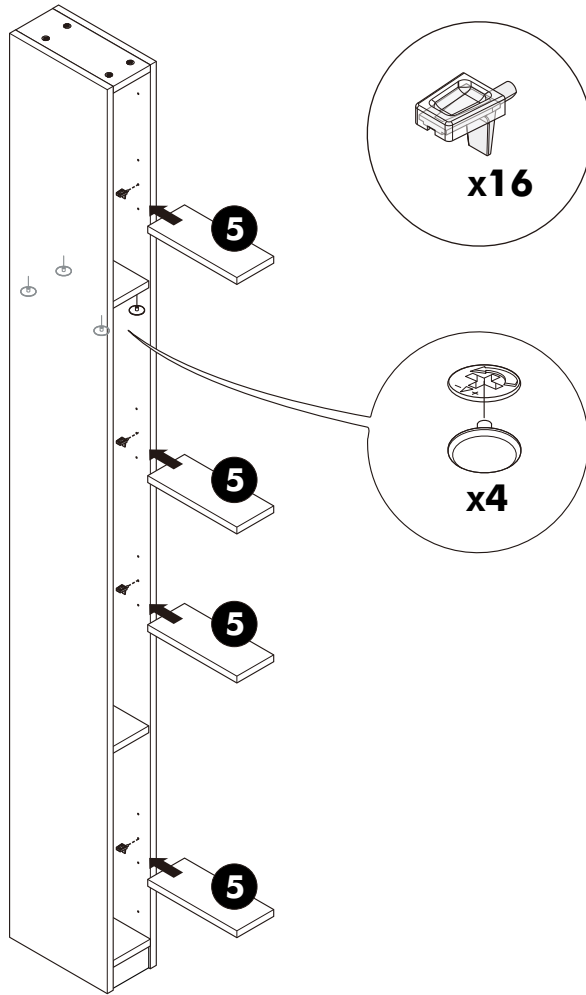
1.

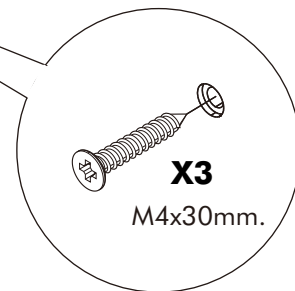
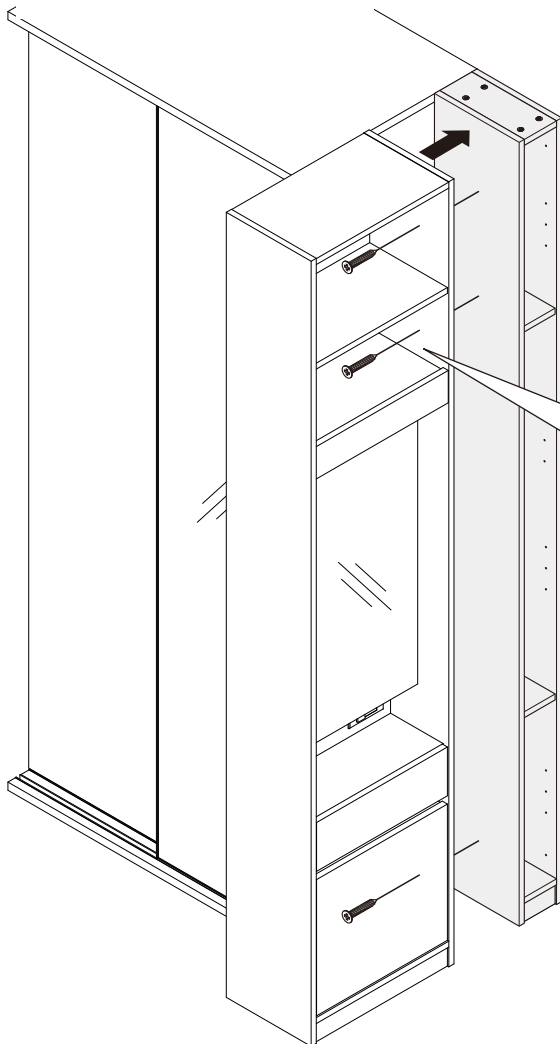
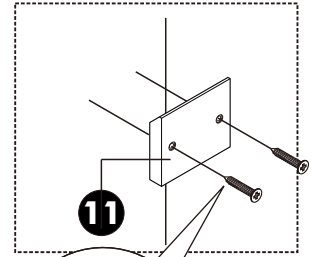
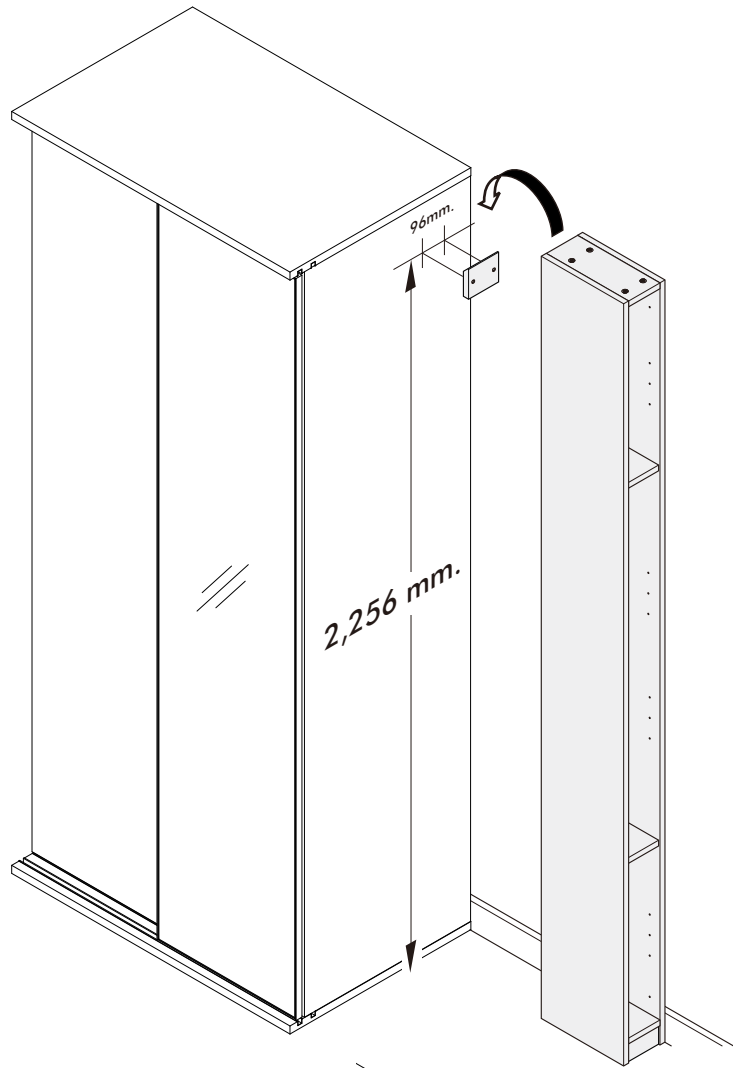


2.

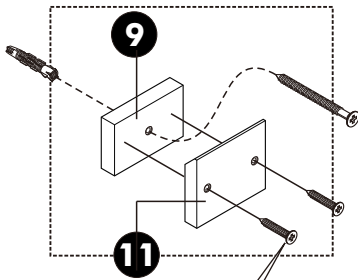
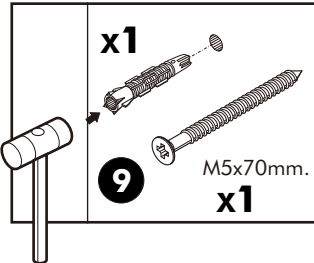
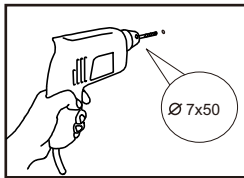


3.

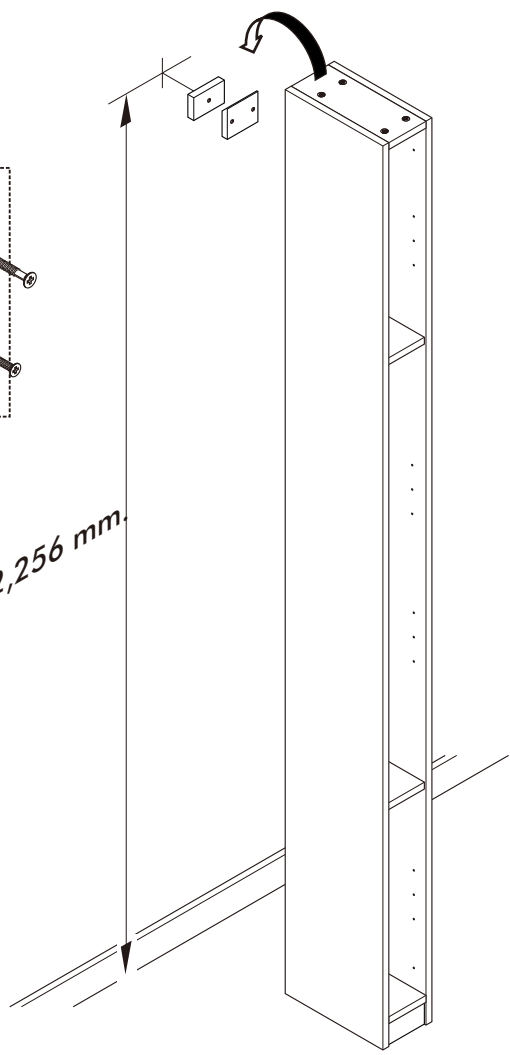




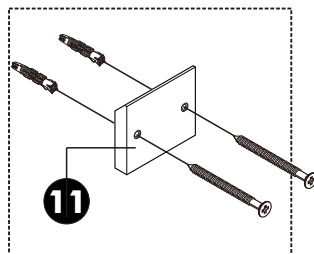
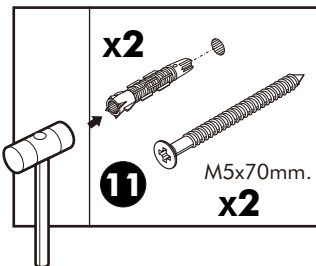
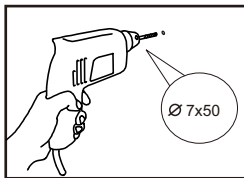
Function:1



2,256 mm.



Function:2



2,256 mm.

