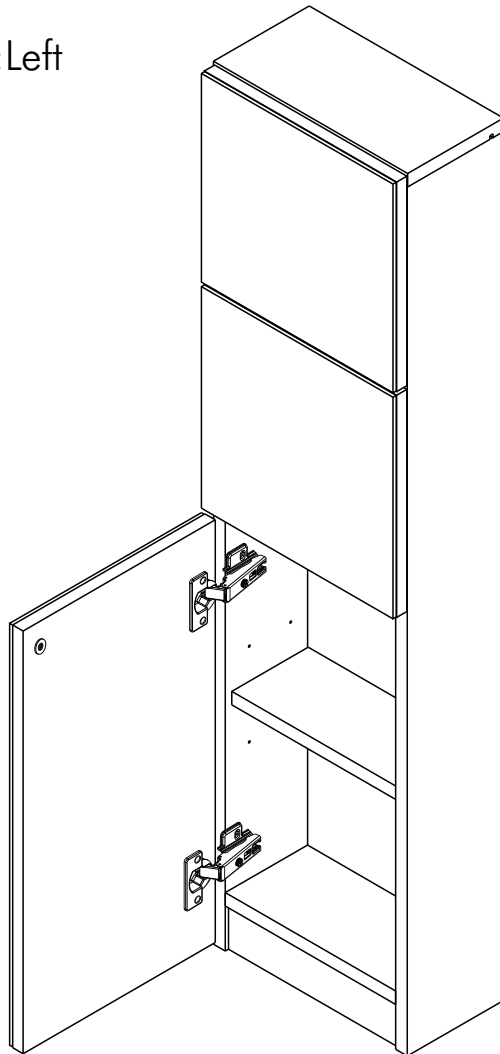


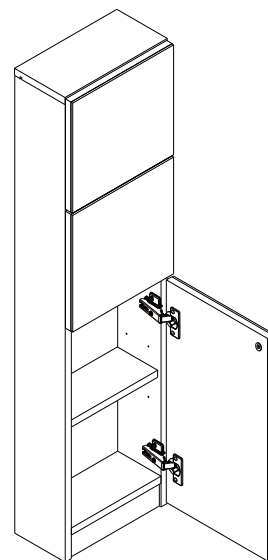
SUPREME

Night Table/A

Type:Left



Type:Right



CONNECT SYSTEM

1

2

(Connecting bolts)

3

WHEN FITTING CAMS
ENSURE STARTING POSITION IS CORRECT
BEFORE YOU INSERT CONNECTING BOLT
TURN CLOCKWISE UNTIL SECURE

<p>✓</p> <p>CORRECT</p>	<p>✗</p> <p>WRONG</p>
--------------------------------	------------------------------

1 Pc.

EQ EQ

≤ 190mm.

40mm. 40mm.

2 Pcs.

≥ 191-850mm.

100mm. EQ EQ 100mm.

3 Pcs.

> 850-2000mm.

100mm. EQ EQ EQ 100mm.

4 Pcs.

> 2001mm.

OUT

IN

M4x16mm.

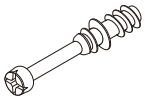
i

40mm.

EQ

HARDWARE

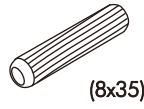
-BODY SET



x 10



x 10

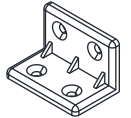


(8x35)

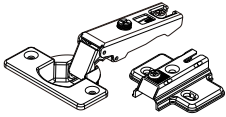
x 24



x 2



x 5

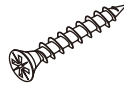


x 2



M4x16mm.

x 38

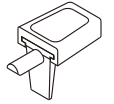


M4x30mm.

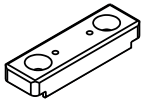
x 5



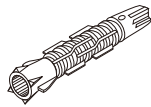
x 3



x 4

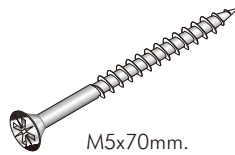


x 3



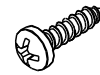
#UP-745

x 2



M5x70mm.

x 2

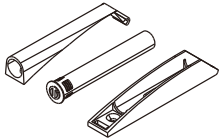


M4x16mm.

x 4



x 2



x 2



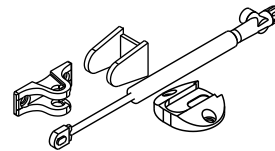
#5x5/8"

x 4



#5x1/2"

x 2

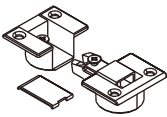


x 1



#6x5/8"

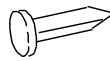
x 12



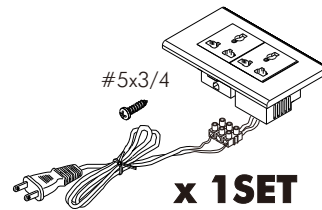
x 2



x 5



x 5

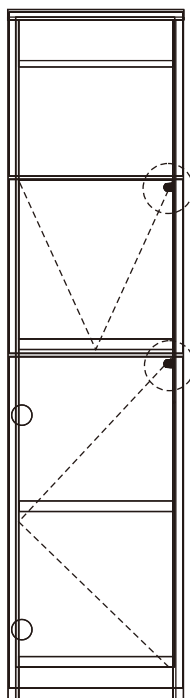


#5x3/4

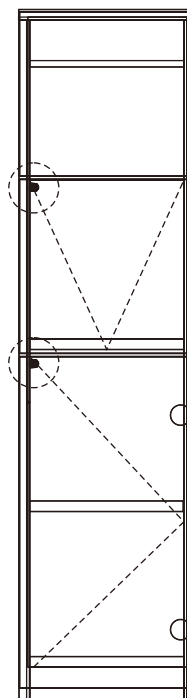
x 1SET



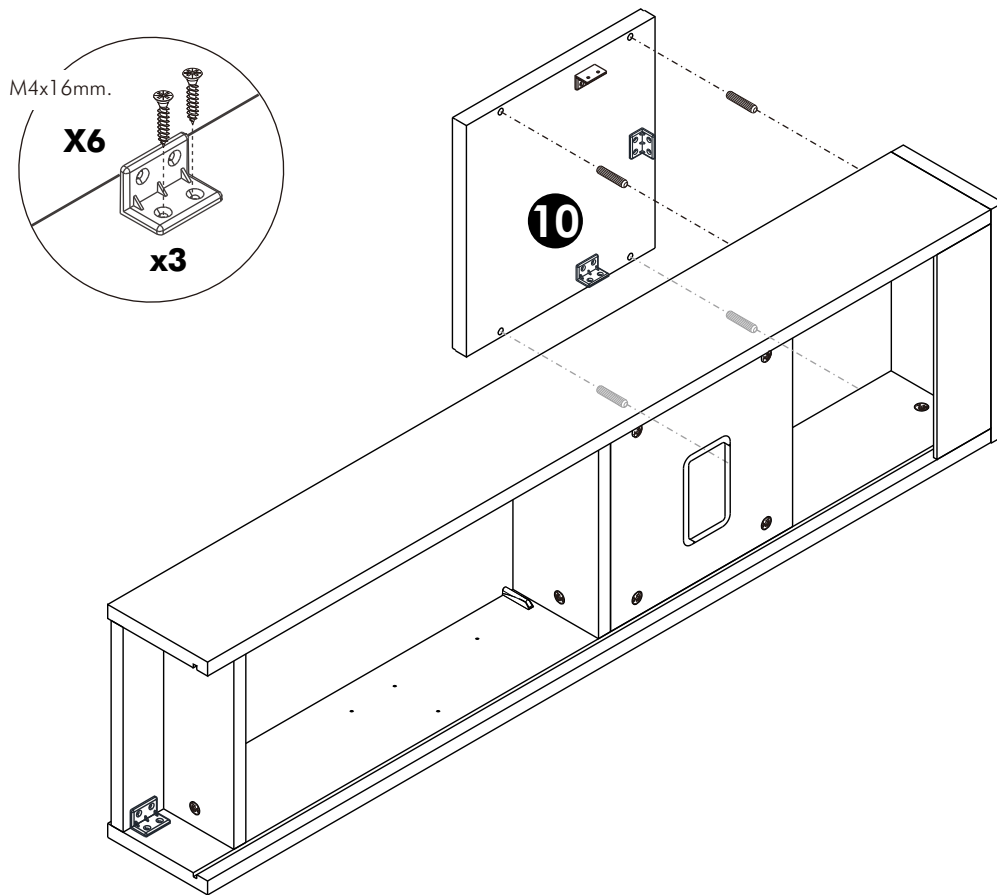
(L)



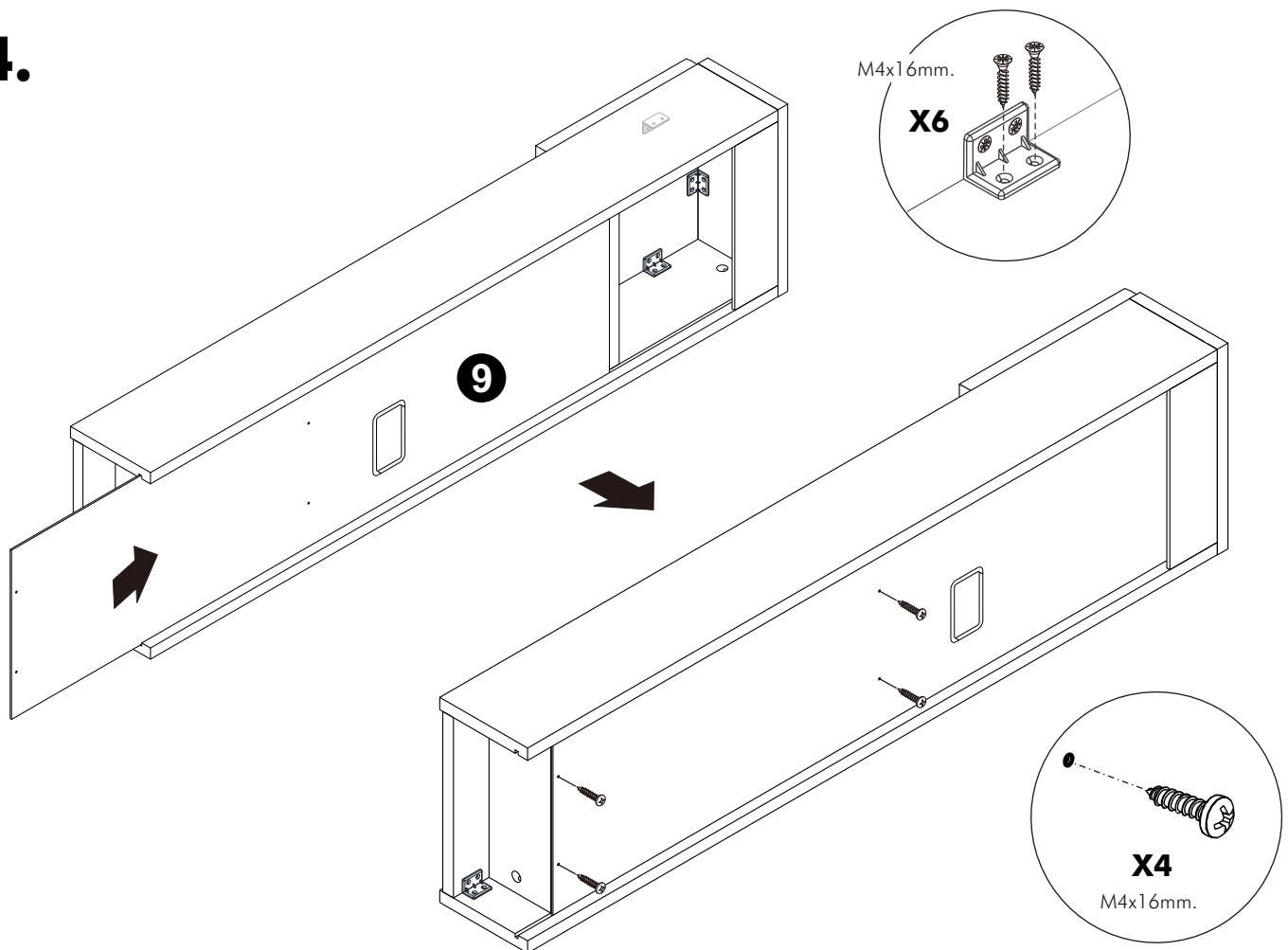
(R)



3.

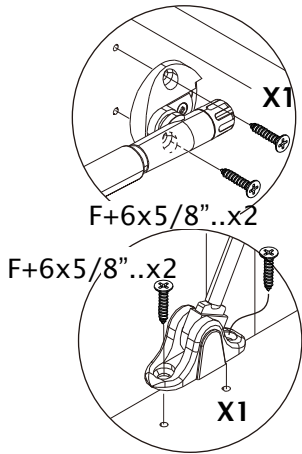


4.



5.

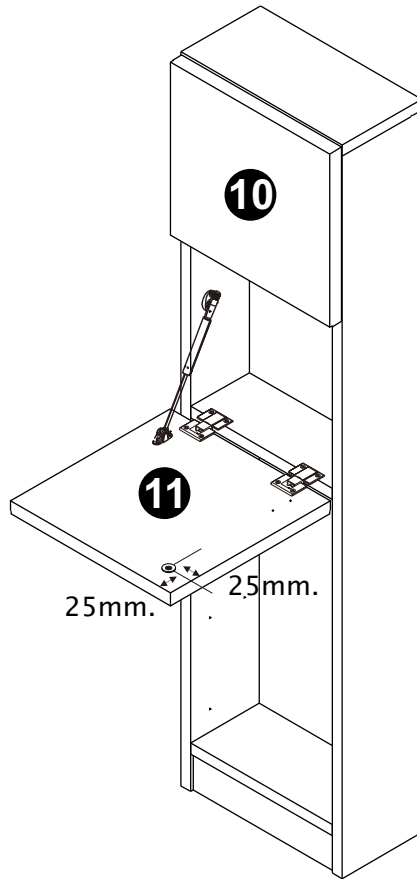
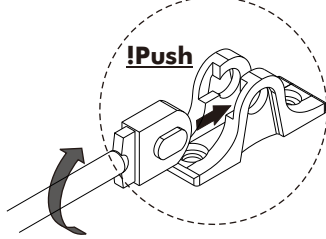
(L)



F+6x5/8" ..x2

X1

!Push



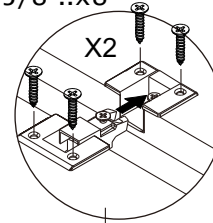
10

11

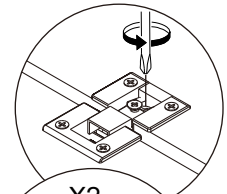
25mm.

25mm.

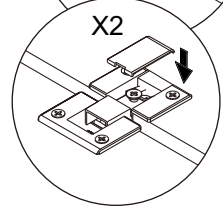
6x5/8" ..x8



11

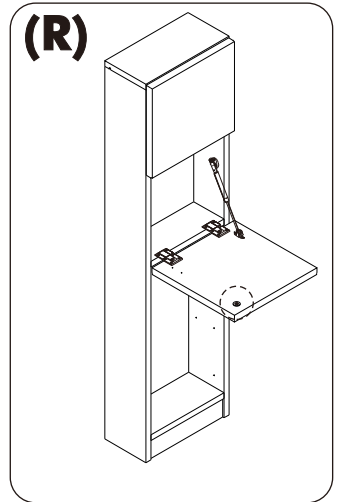


X2



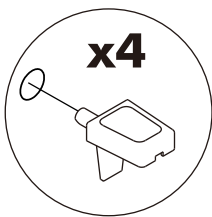
X2

(R)



6.

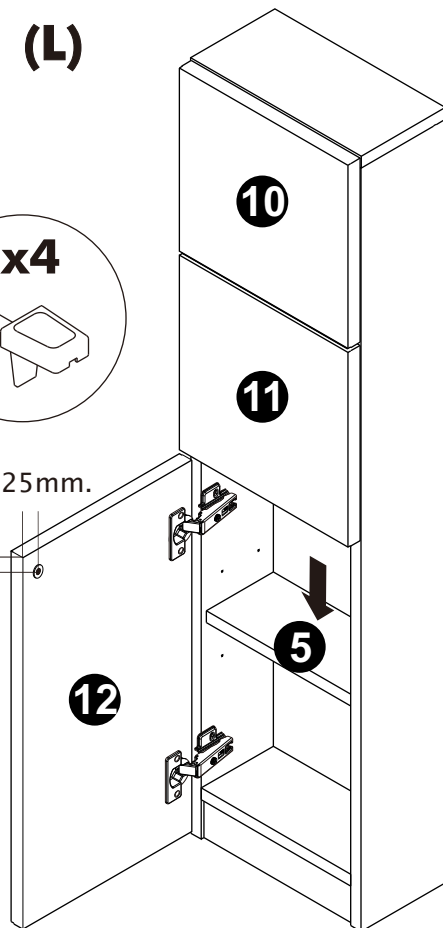
(L)



x4

25mm.

25mm.



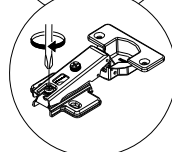
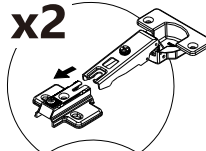
10

11

5

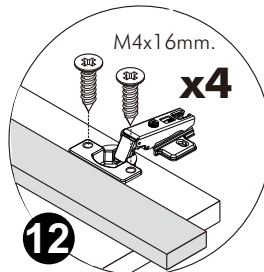
12

x2

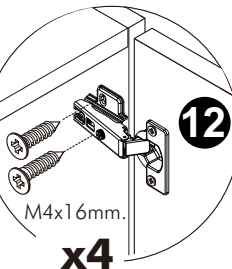


M4x16mm.

x4



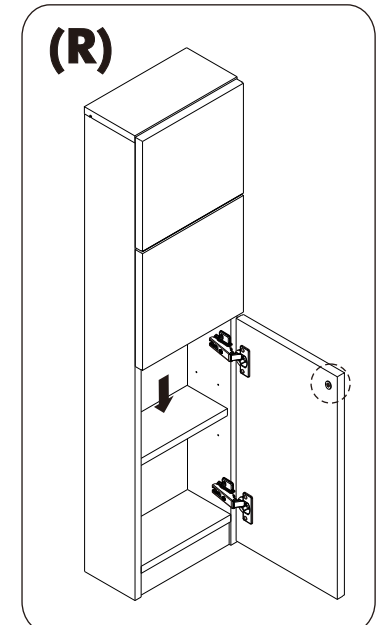
12



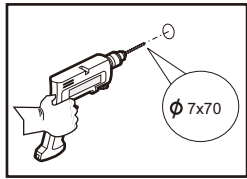
M4x16mm.

x4

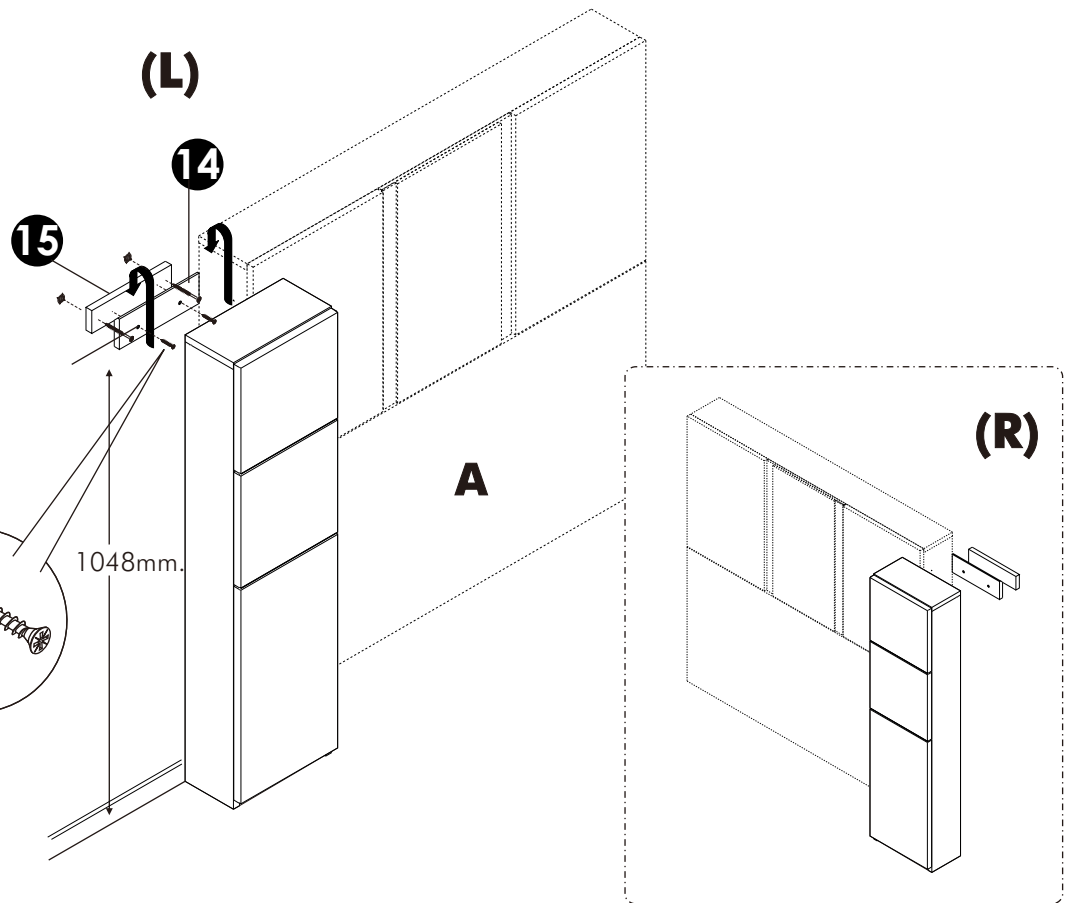
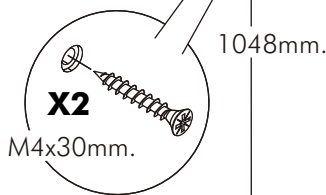
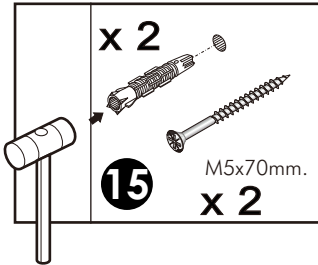
(R)



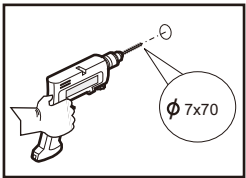
7. Function:1



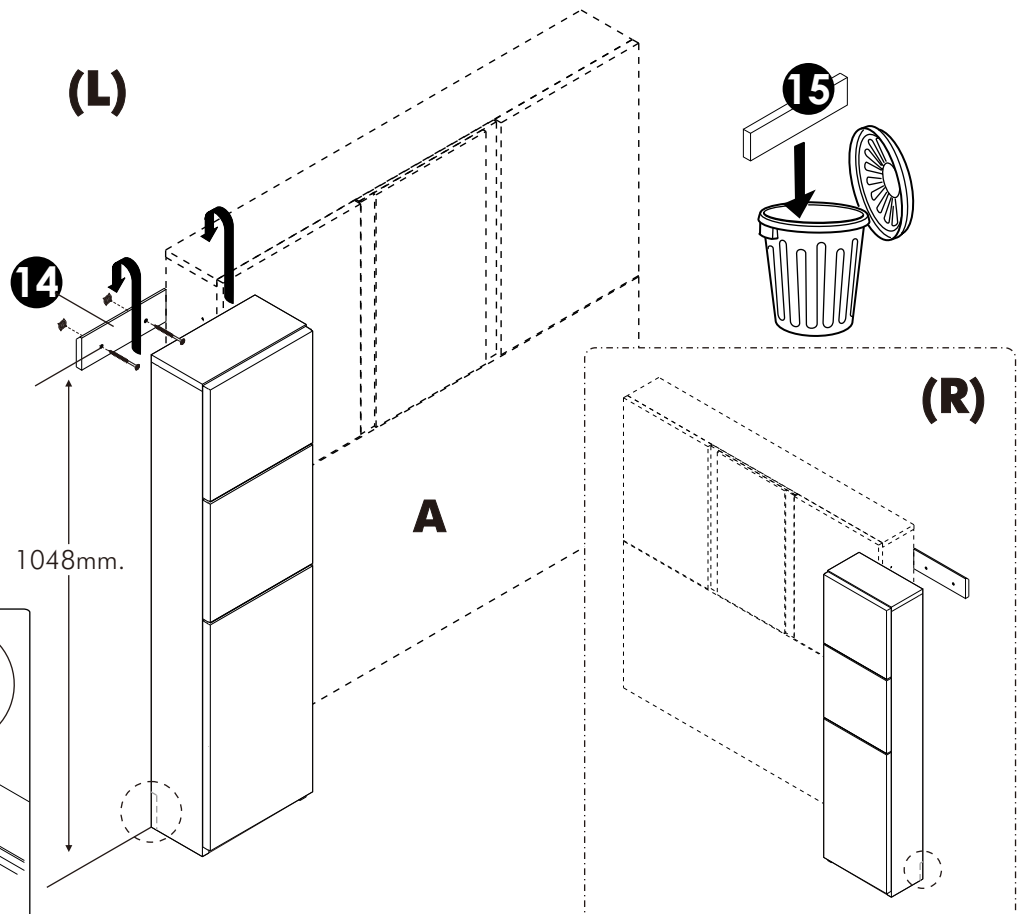
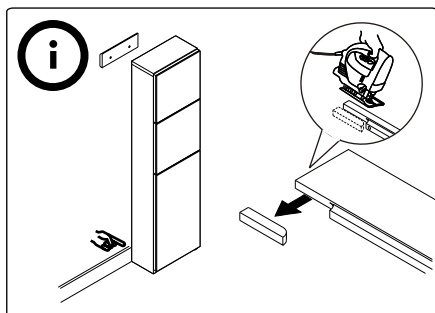
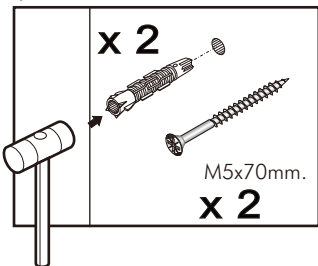
บู้กพลาสติกคอนกรีต(ผนังคอนกรีต)



8. Function:2

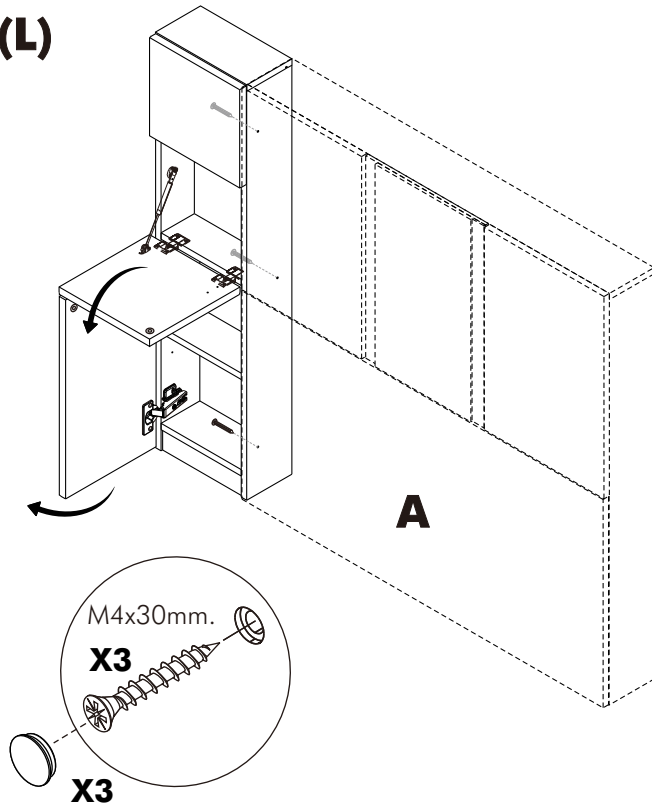


บู้กพลาสติกคอนกรีต(ผนังคอนกรีต)



9.

(L)



(R)

