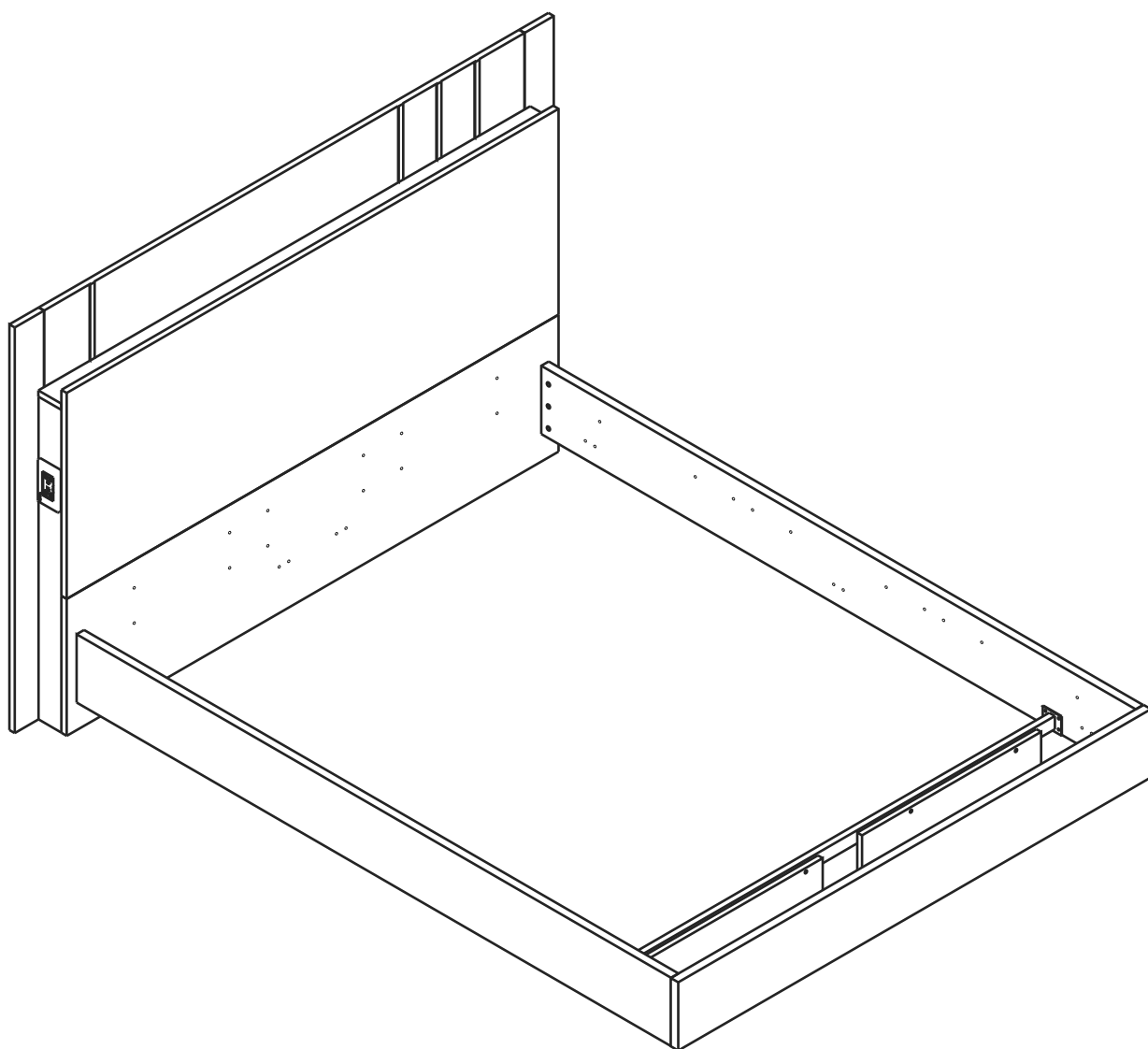
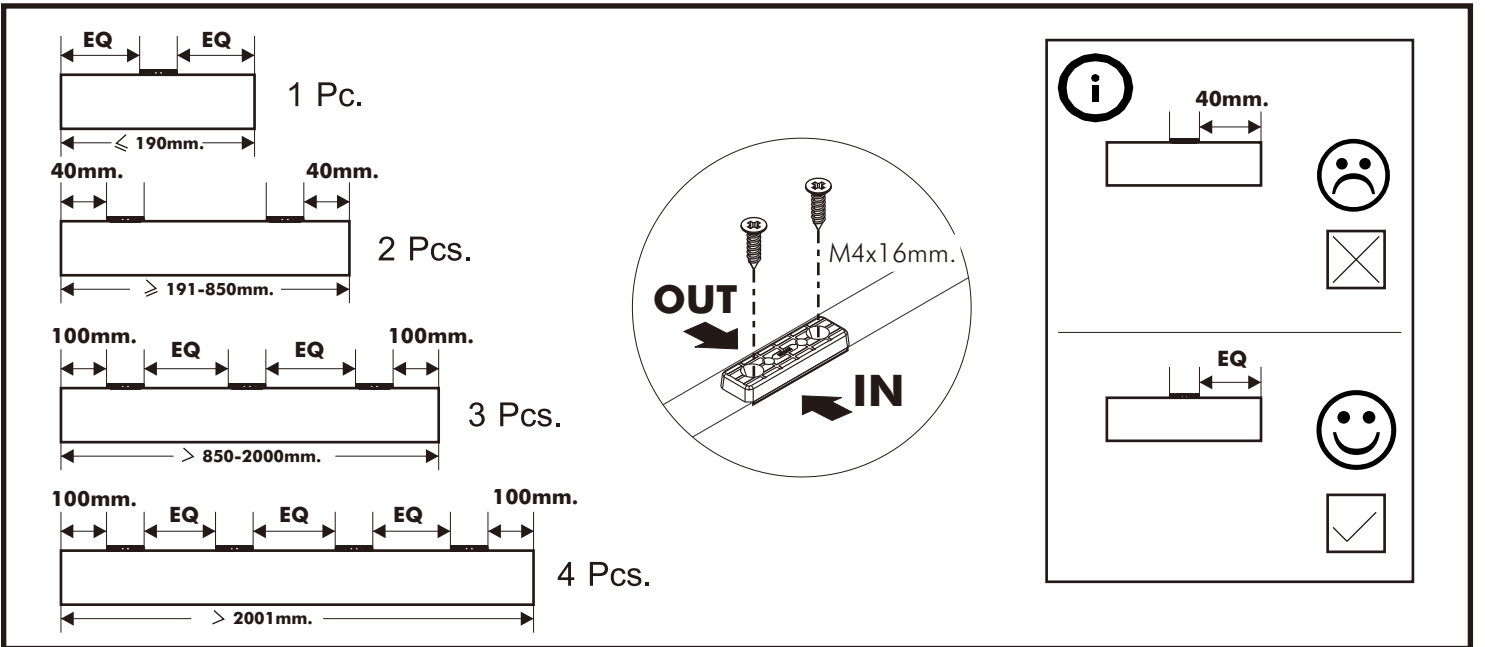
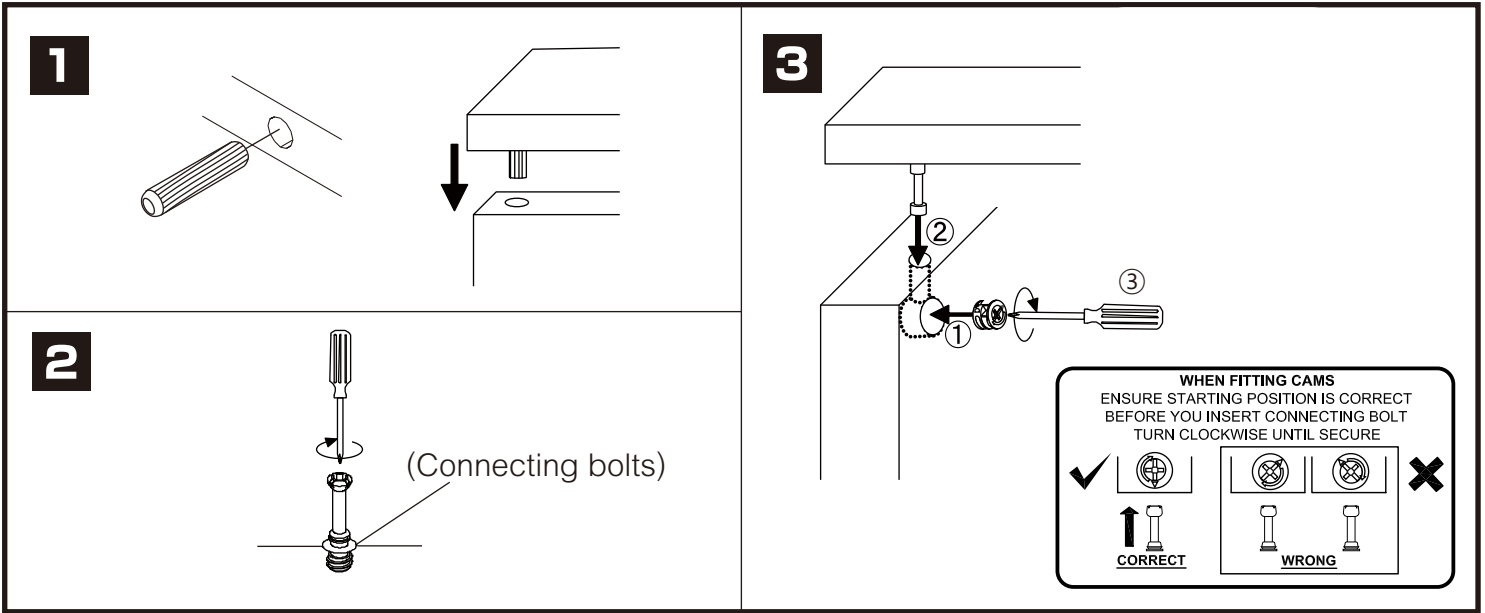


# MARQUINA-P

**BED 5 ft.**  
**BED 6 ft.**

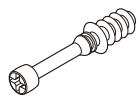


# CONNECT SYSTEM



# HARDWARE

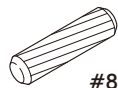
## -BODY SET



**x 4**

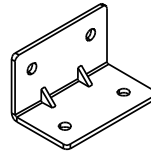


**x 4**



#8x35

**x 4**



**x 4**



No.1

**x 3**



M4x16mm.

**x 27**



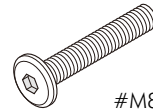
#M8

**x 4**



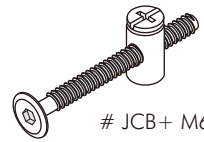
#M8

**x 4**



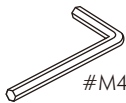
#M8x50

**x 4**



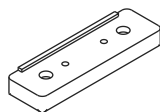
# JCB+ M6x60

**x 6**



#M4

**x 1**

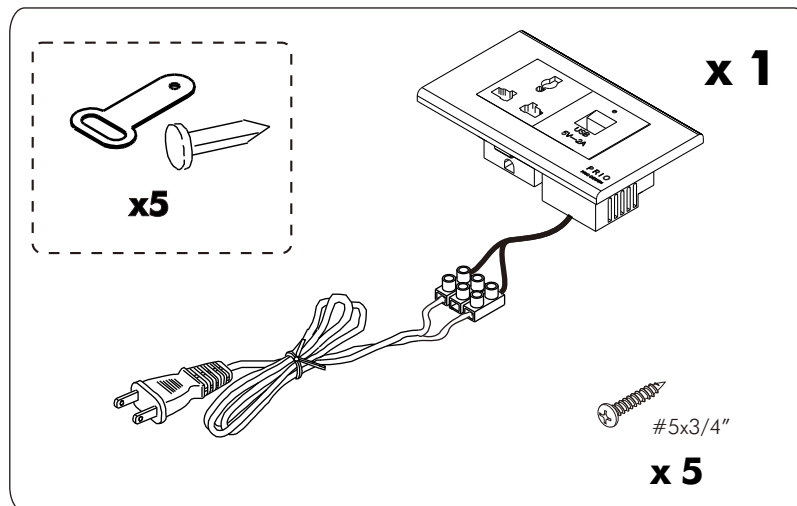


**x 14**



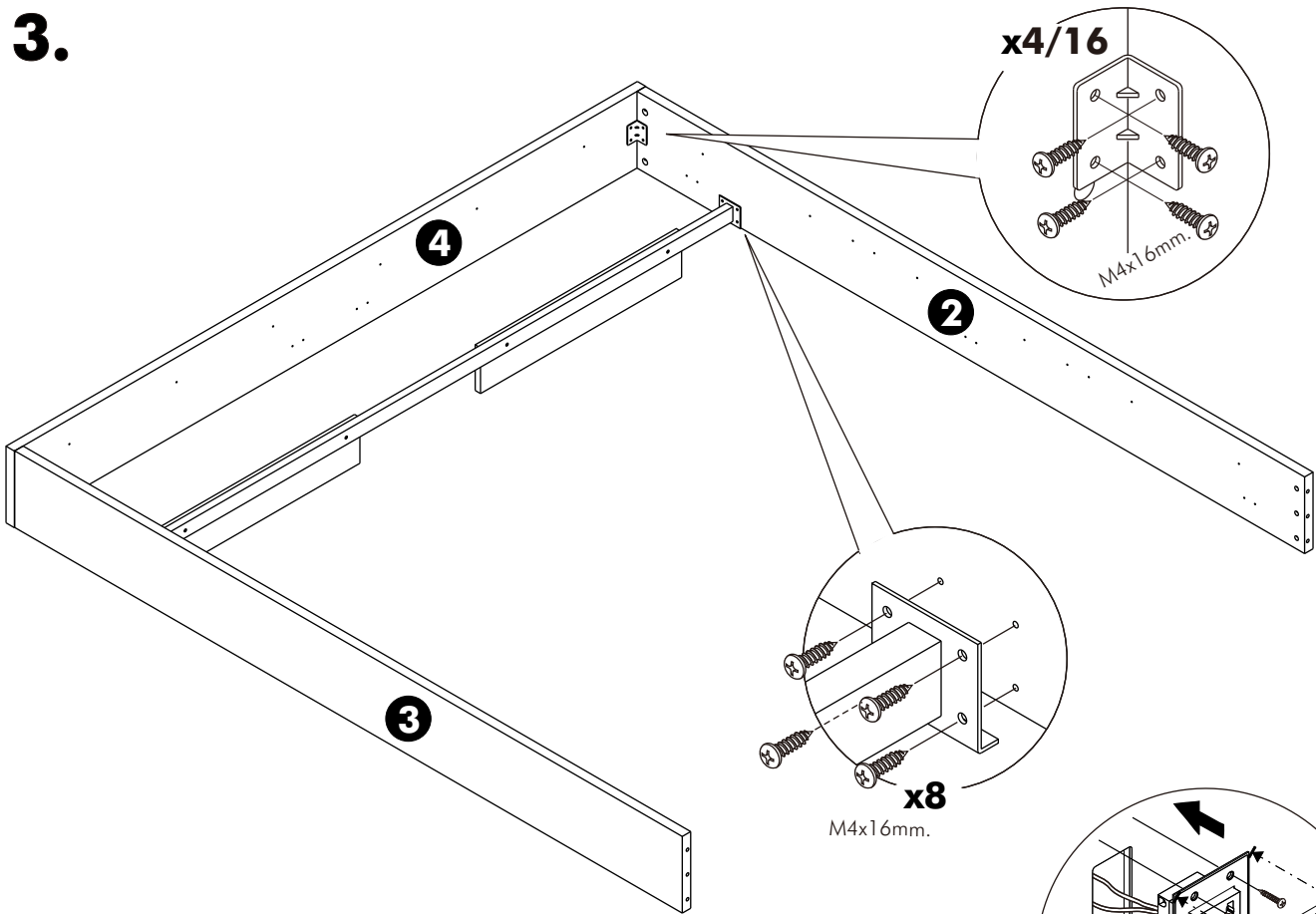
M4x16mm.

**x 28**





**3.**



**4.**

