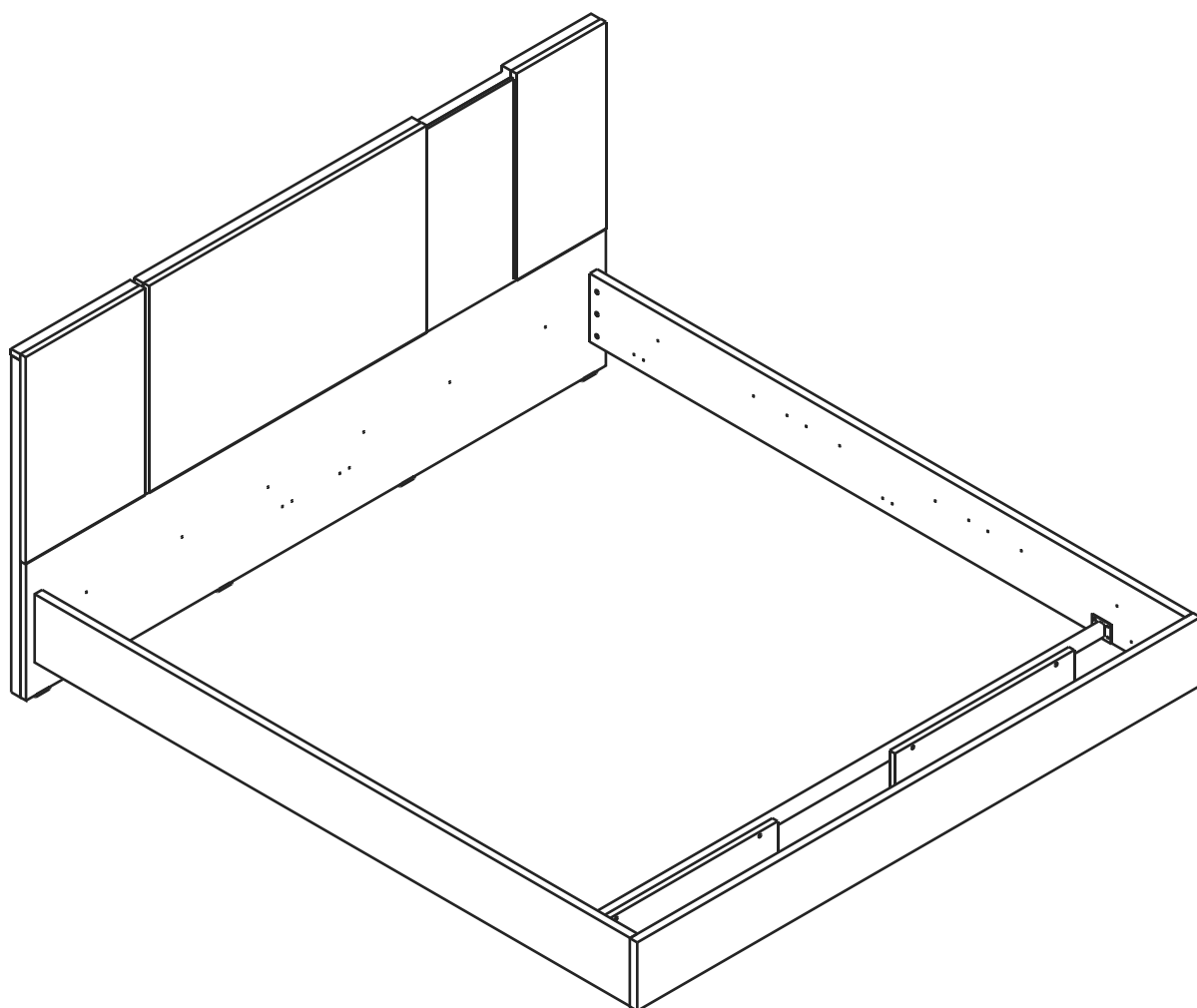


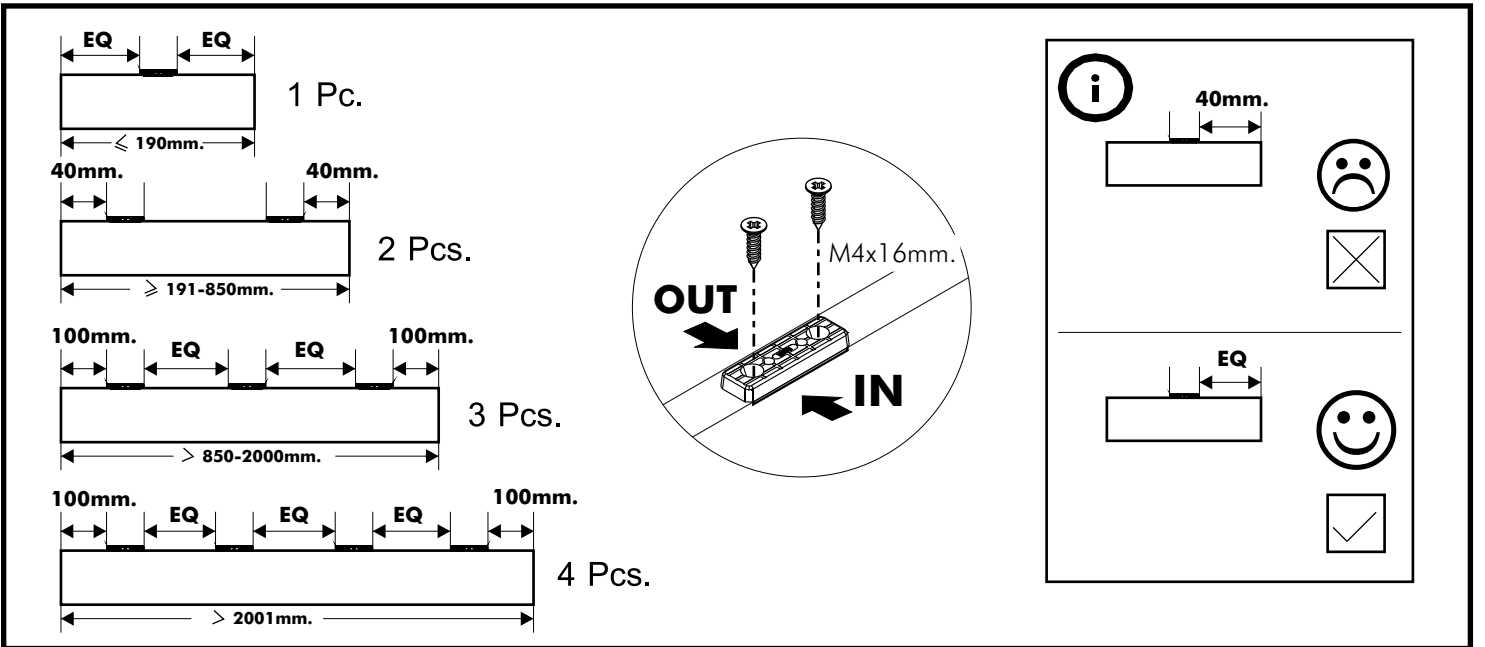
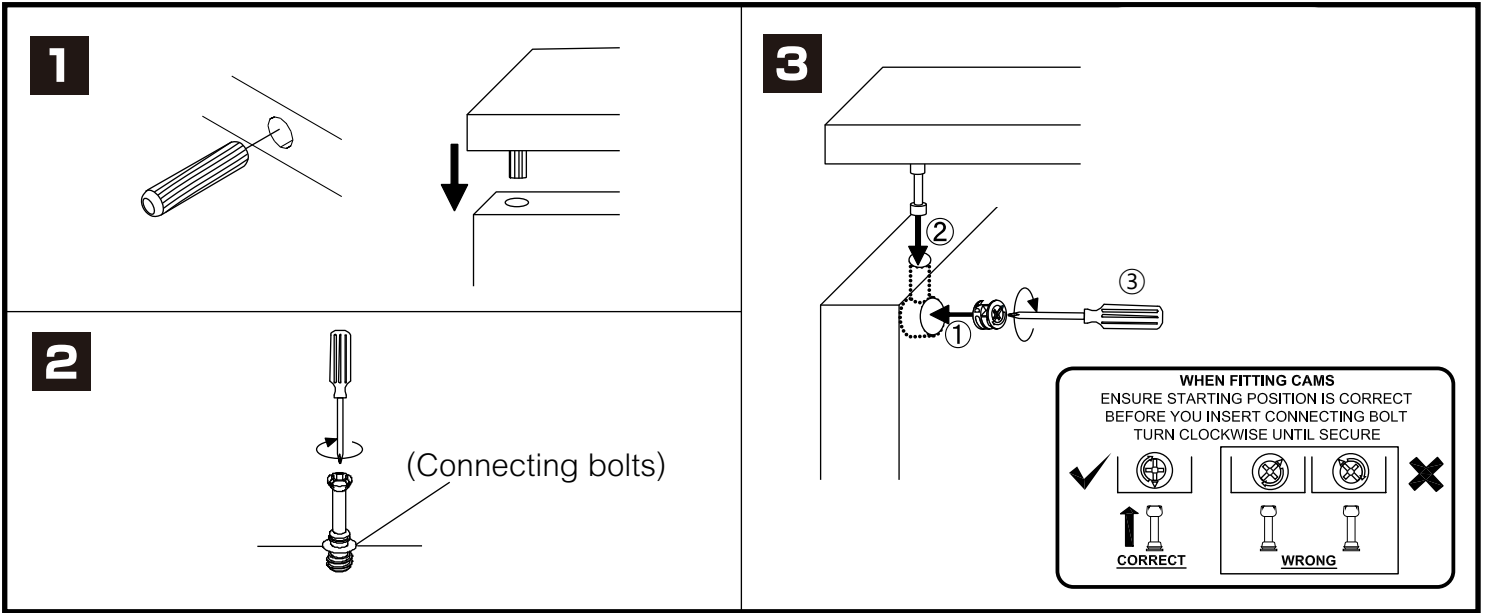
# ALTO-P

**Bed 5 ft.**

**Bed 6 ft.**

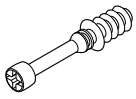


# CONNECT SYSTEM



# HARDWARE

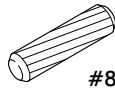
## -BODY SET



**x 4**

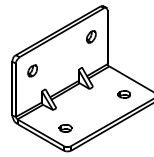


**x 4**



#8x35

**x 4**



**x 2**



No.1

**x 3**



M4x16mm.

**x 19**



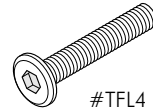
#M8

**x 4**



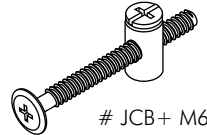
#M8

**x 4**



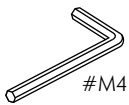
#TFL4 M8x50

**x 4**



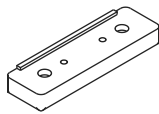
# JCB+ M6x60

**x 6**



#M4

**x 1**



**x 8**



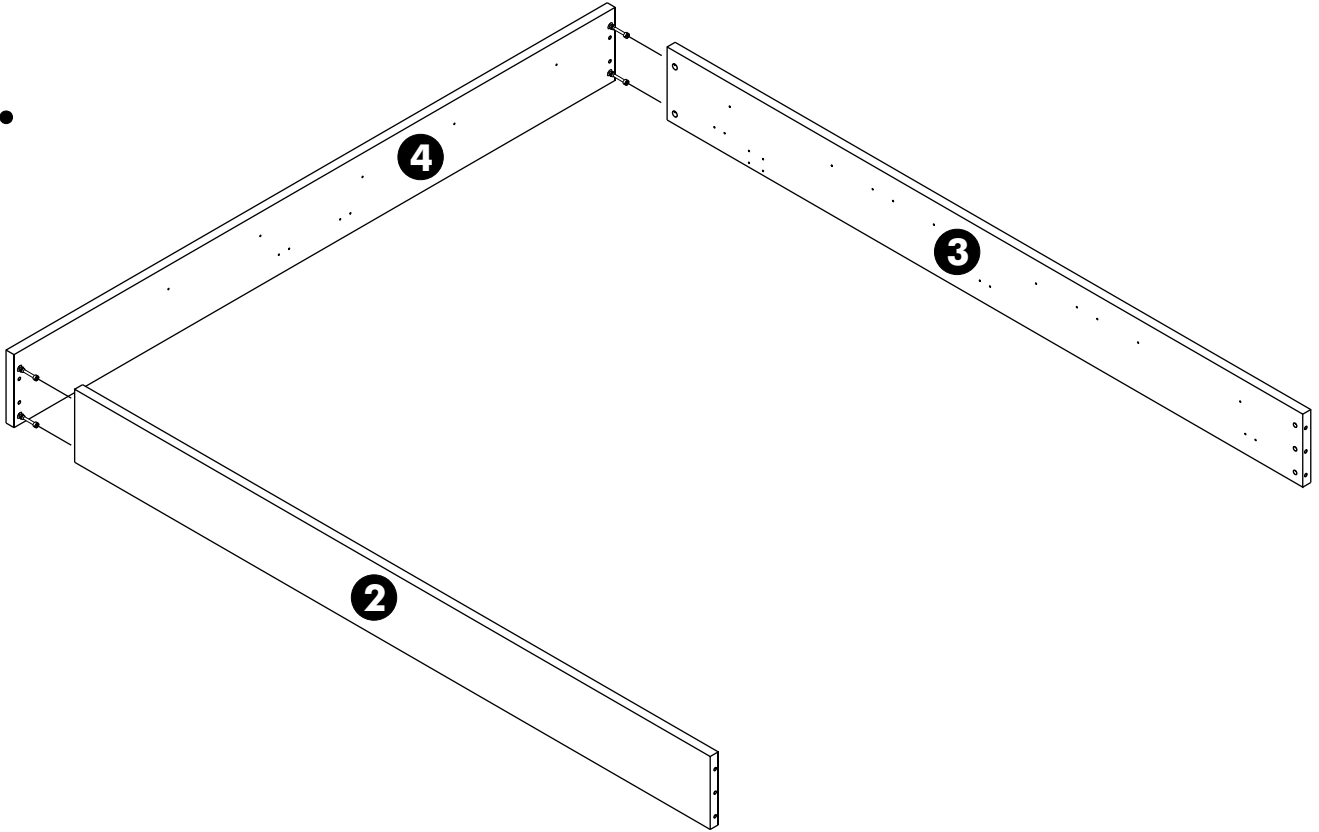
M4x16mm.

**x 16**

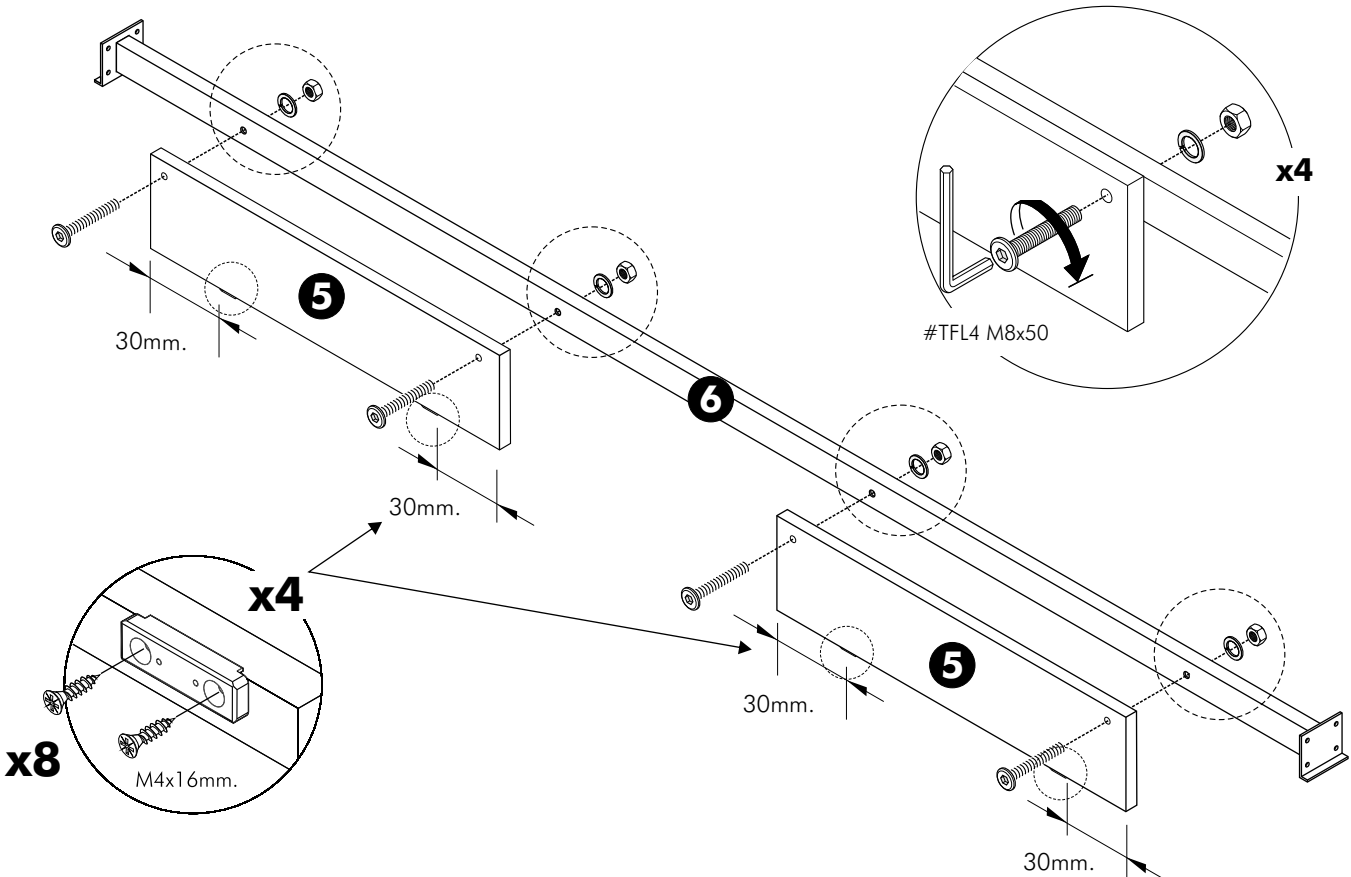
**ASSEMBLY**

-BODY SET

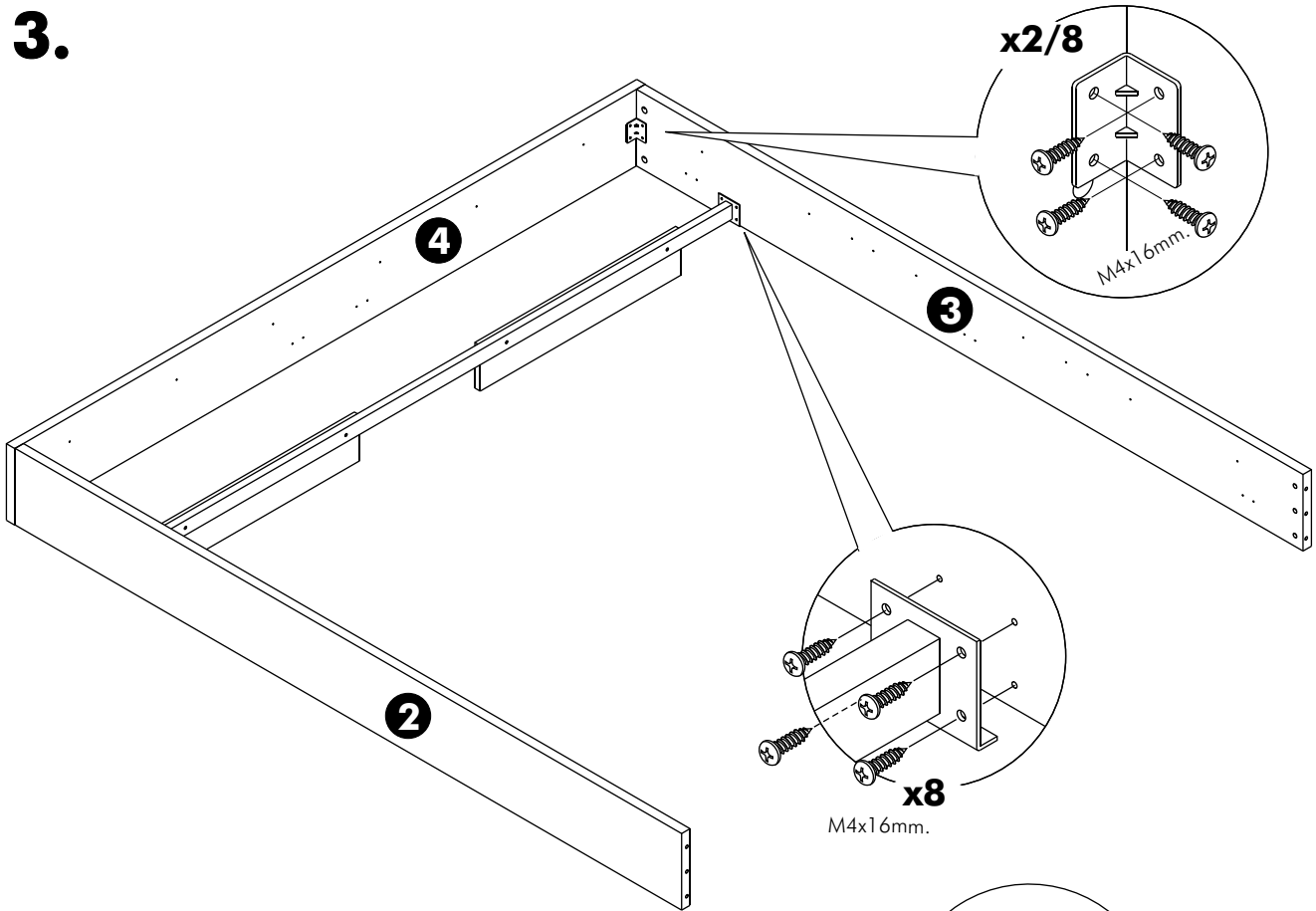
**1.**



**2.**



**3.**



**4.**

