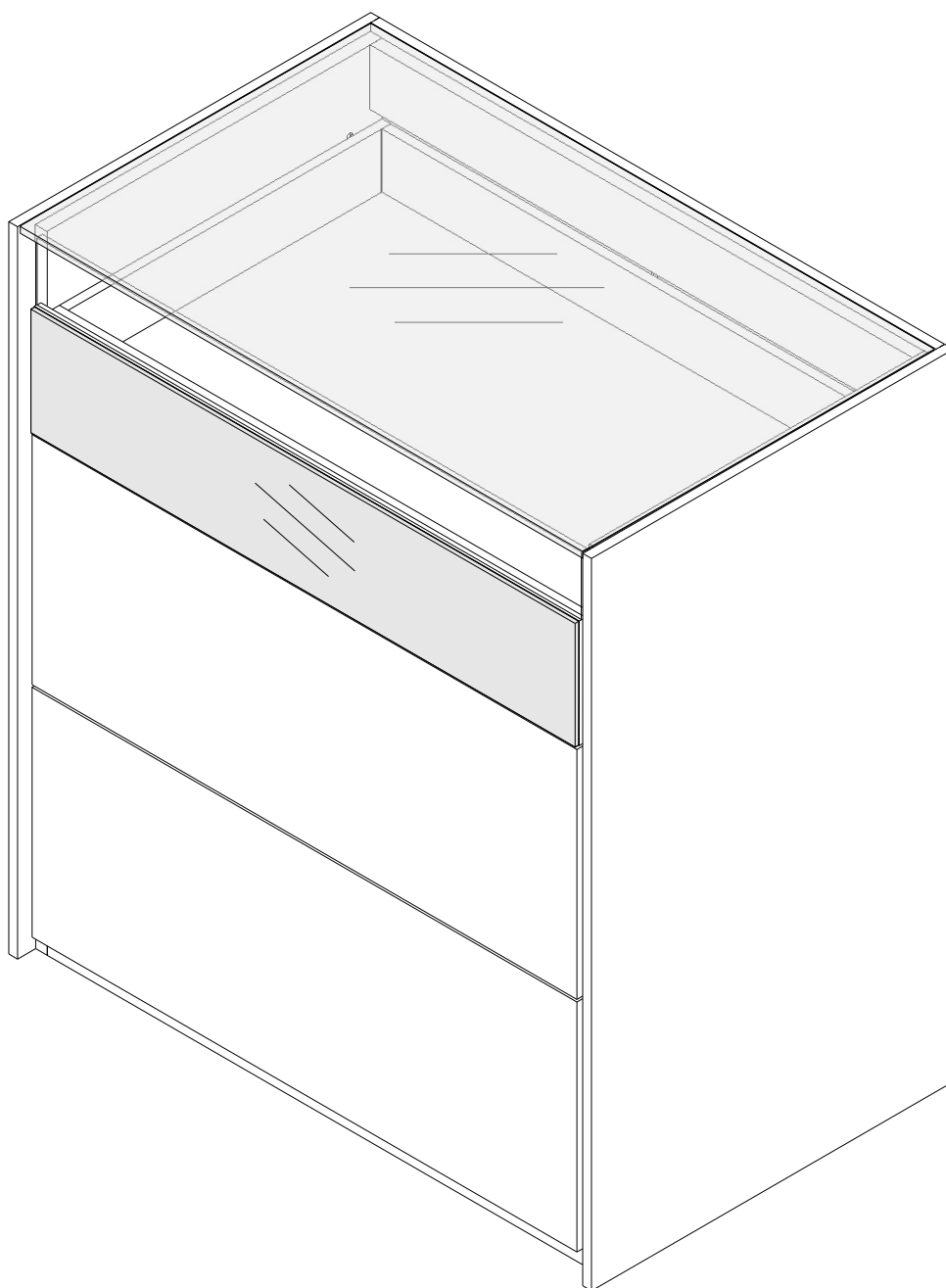
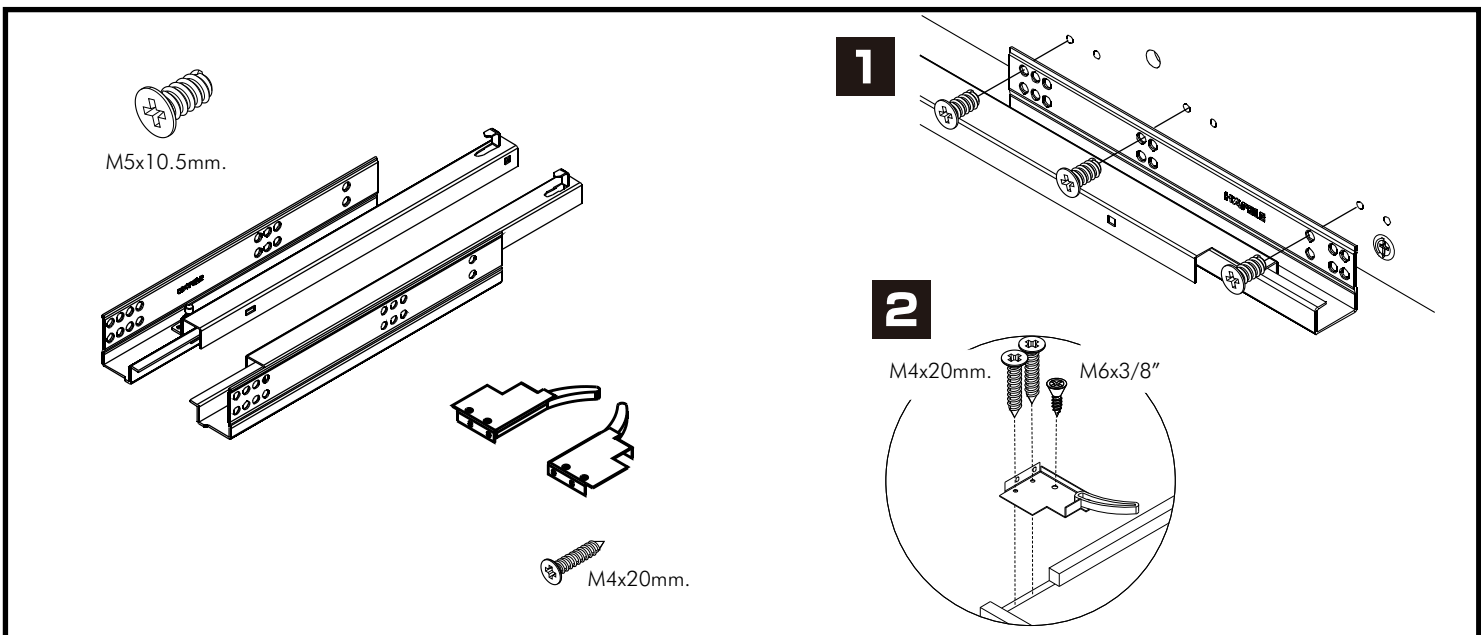
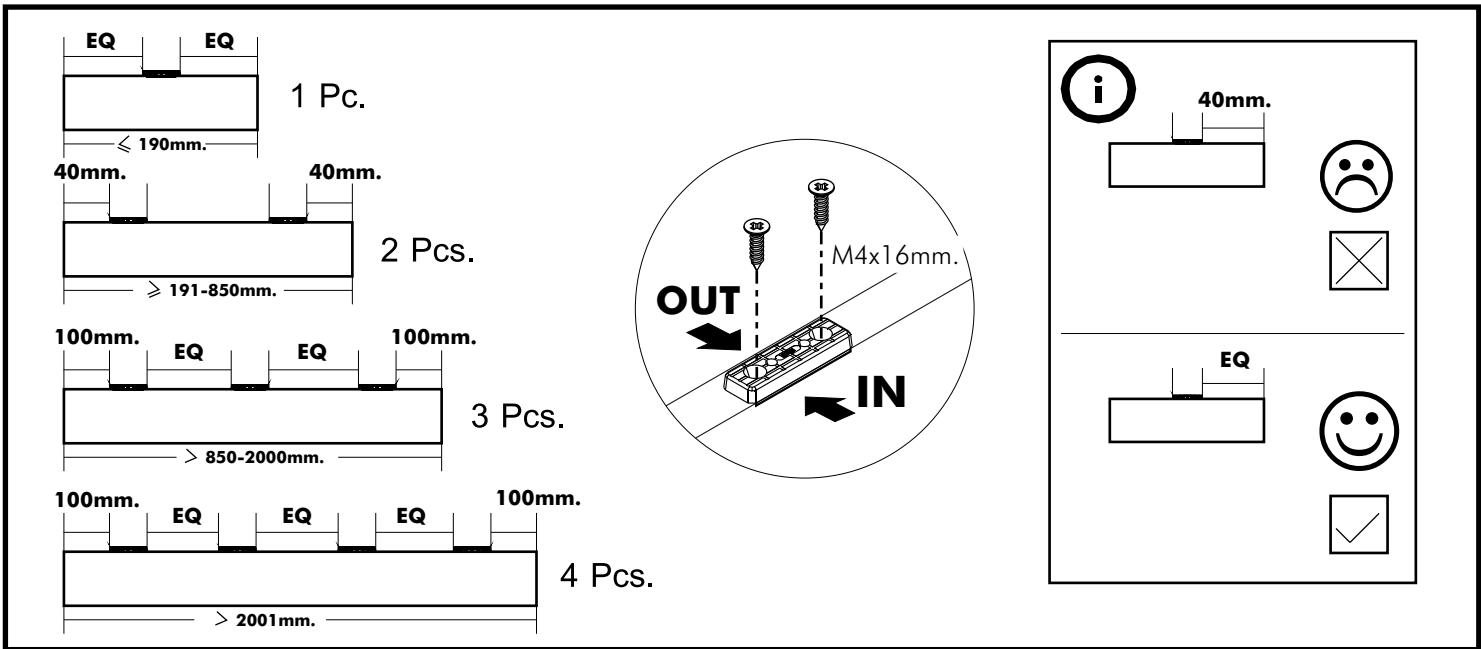


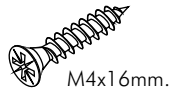
SIENA-P

3 DRAWER 80 cm

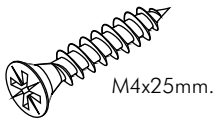
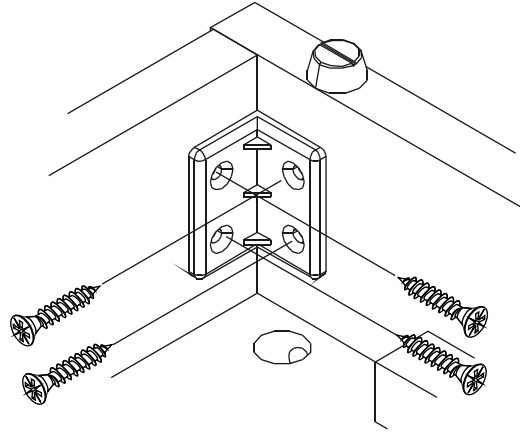
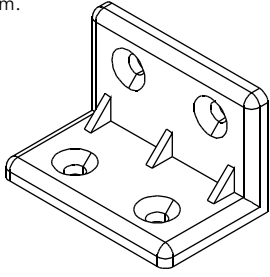


CONNECT SYSTEM

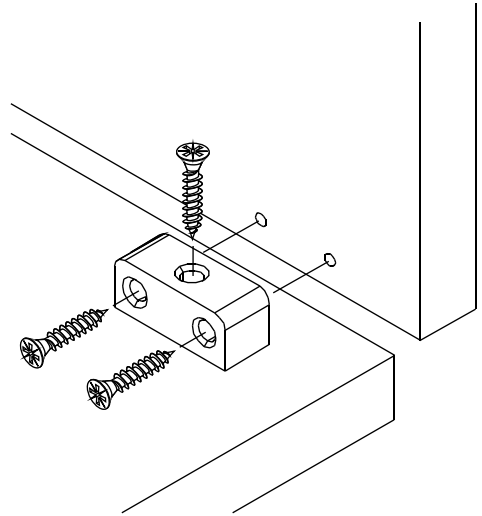
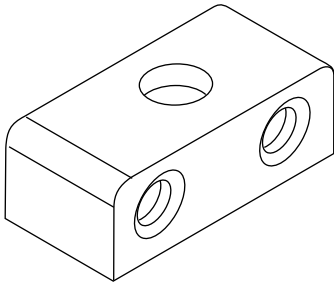


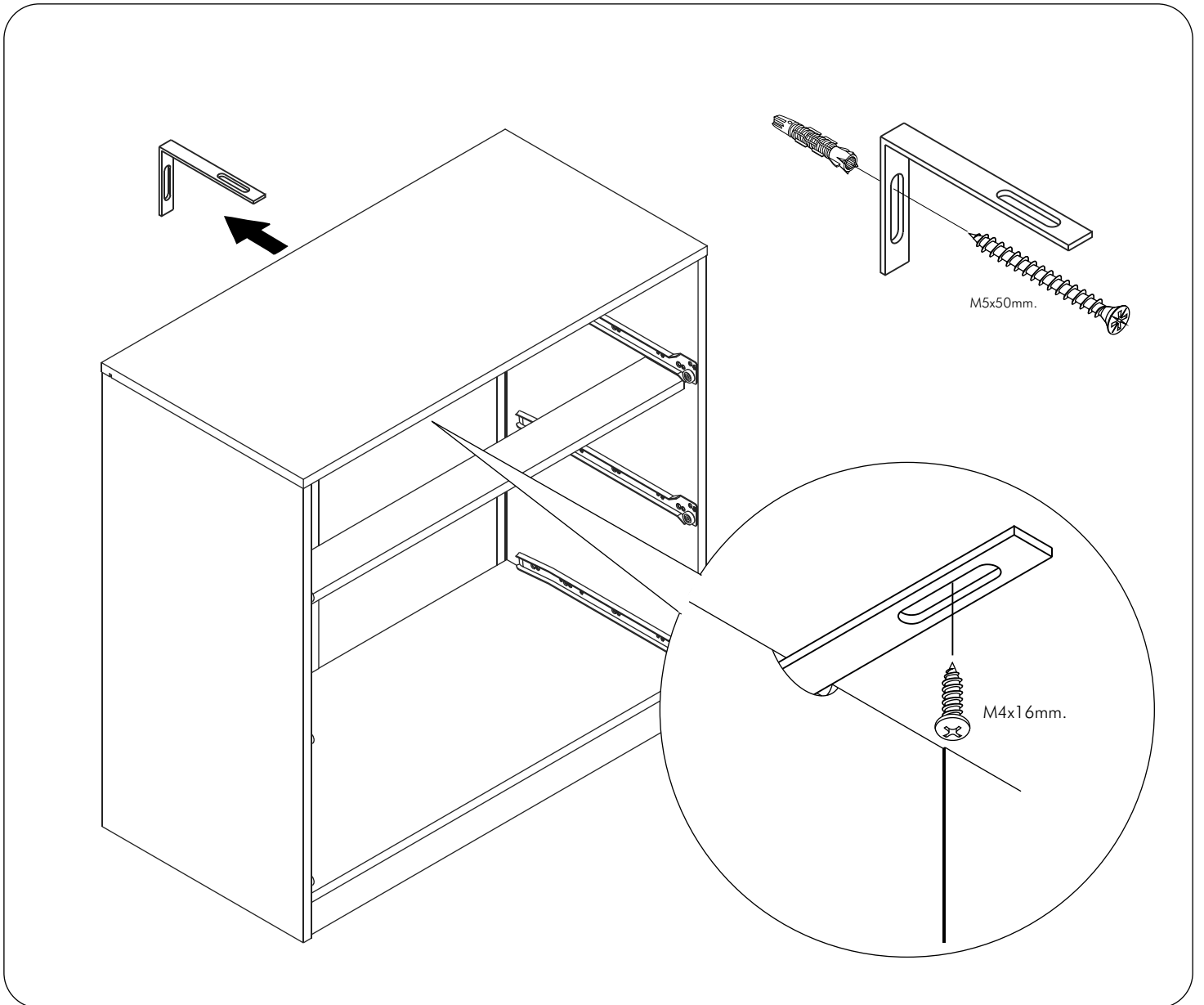
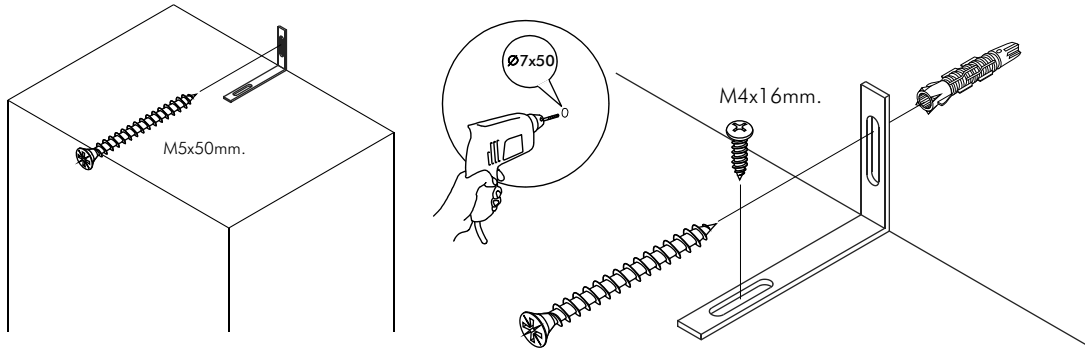
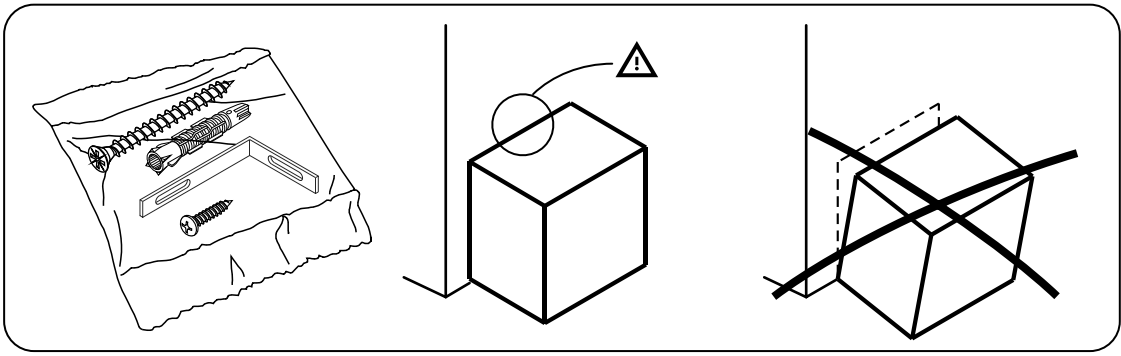


M4x16mm.



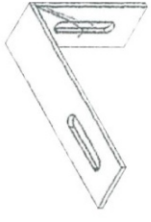
M4x25mm.



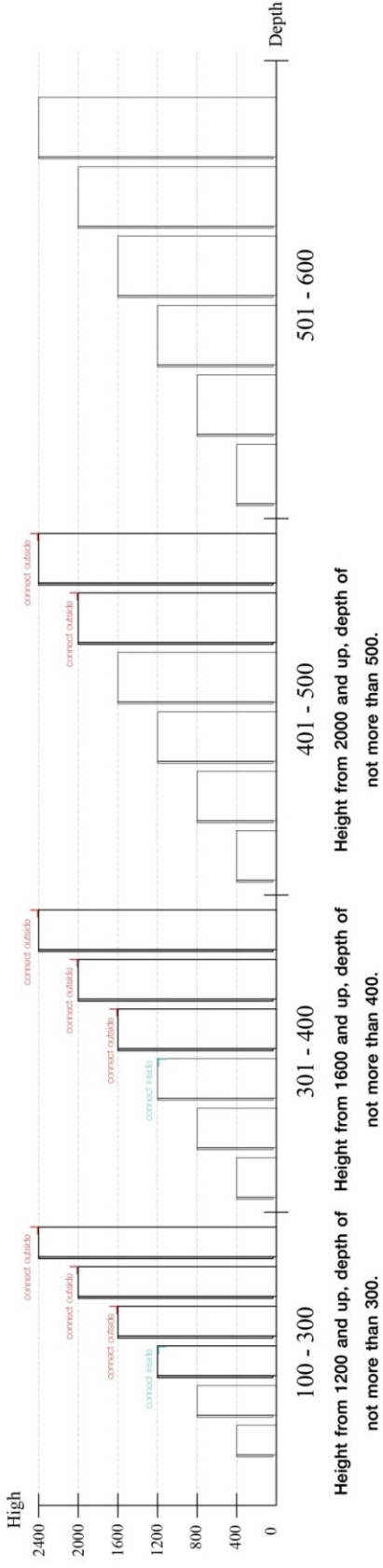


The Standard for identifying which mounted safety fall protection fitting to use **Note : That children's products must be installed with all anti-falling fittings.**

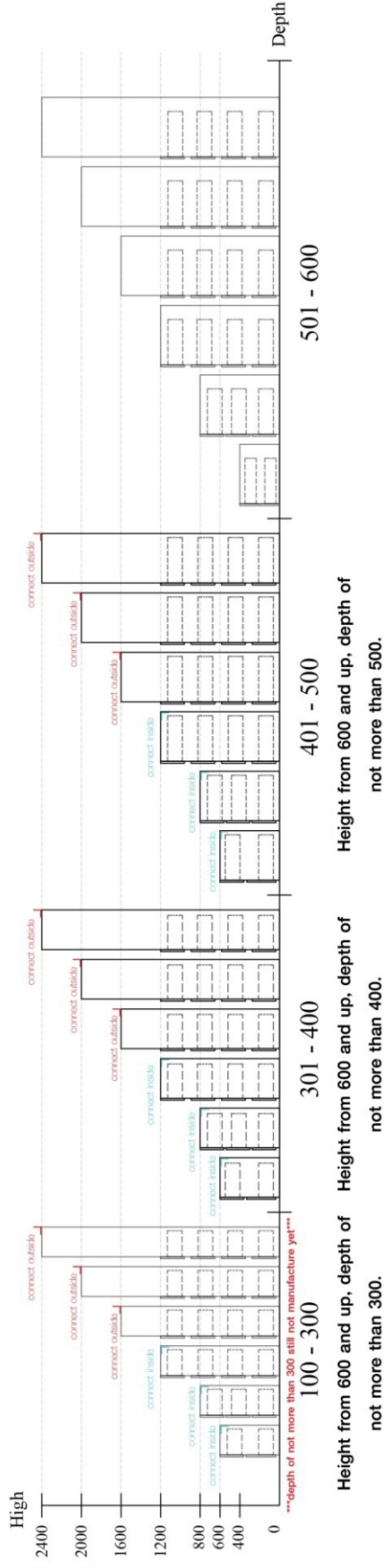
■ Mounted fall protection fittings



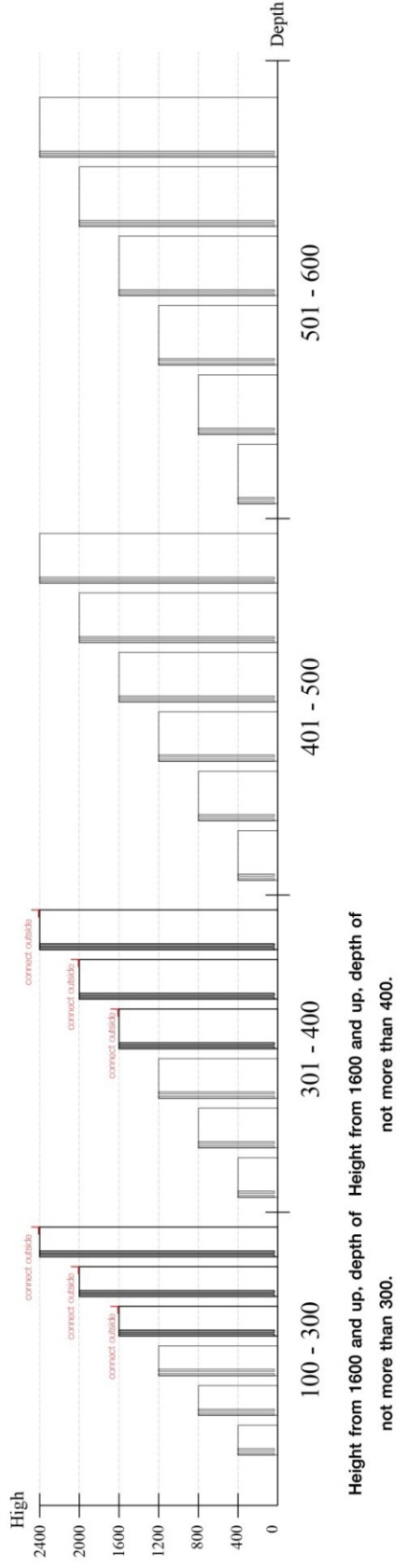
■ Category : Cabinet with open doors



■ Category : Chest of drawers

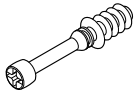


■ Category : Sliding door cabinet / Open cabinet



HARDWARE

-BODY SET

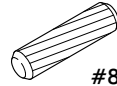


x 8



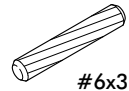
19mm.

x 8



#8x35

x 18

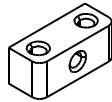


#6x35

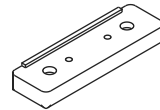
x 4



x 4



x 6

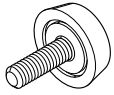


x 8

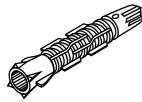


Ø 9x1

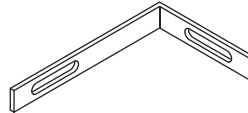
x 6



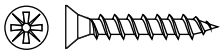
x 4



x 1



x 5



M3.5x20mm.

x 4



M4x25mm.

x 21



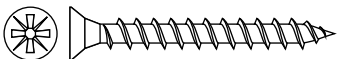
M4x16mm.

x 16



M4x25mm. (BLACK)

x 12



M4x35mm.

x 4



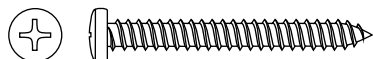
M5x50mm.

x 1



M4x16mm.

x 10

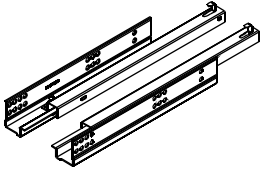


M4x35mm.

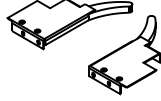
x 6

HARDWARE

-DRAWER SET



x 3



x 3



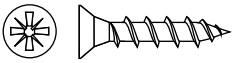
6x3/8"

x 6



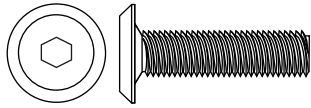
M4x40mm.

x 30



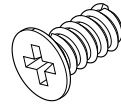
M4x20mm.

x 12



M6x25mm.

x 13



GAL5/10.5 mm.

x 18

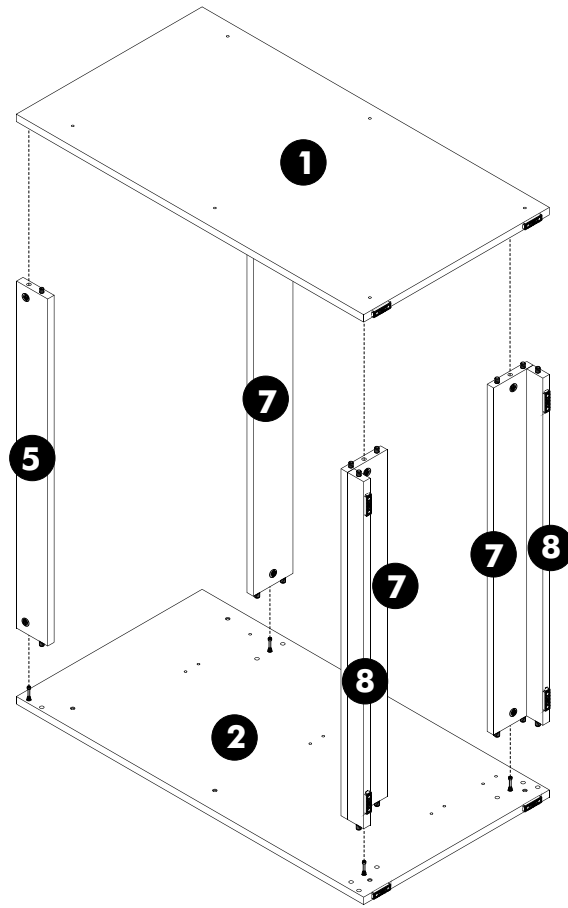


x 2

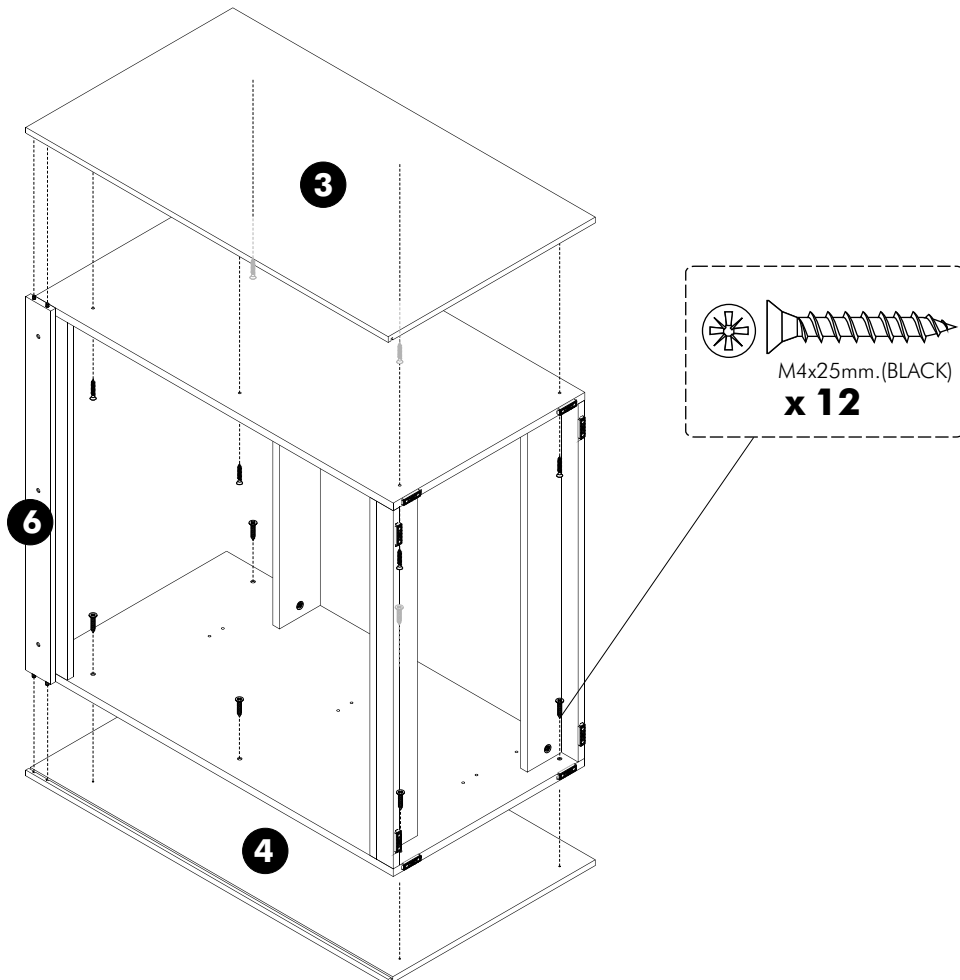
ASSEMBLY

-BODY SET

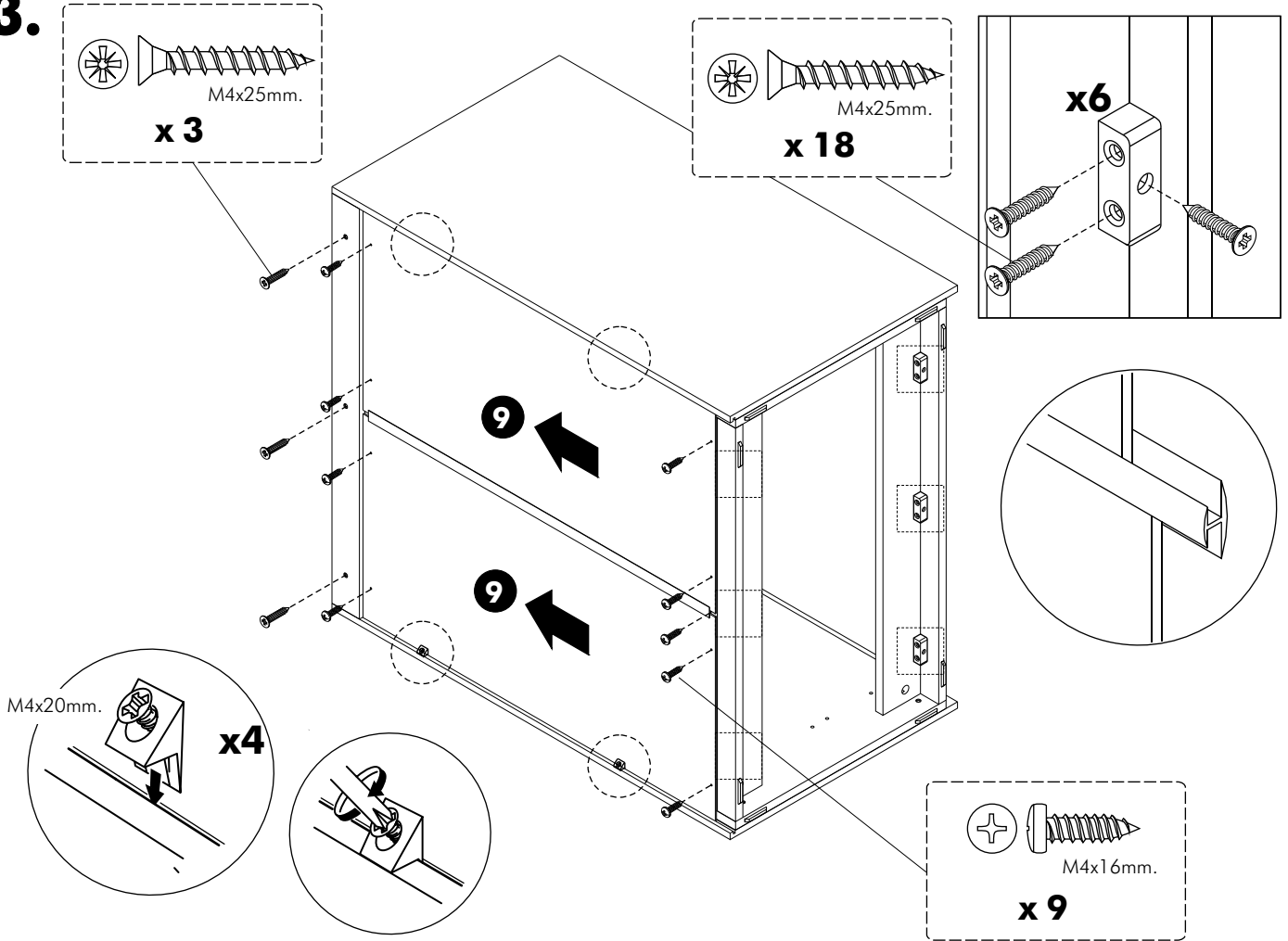
1.



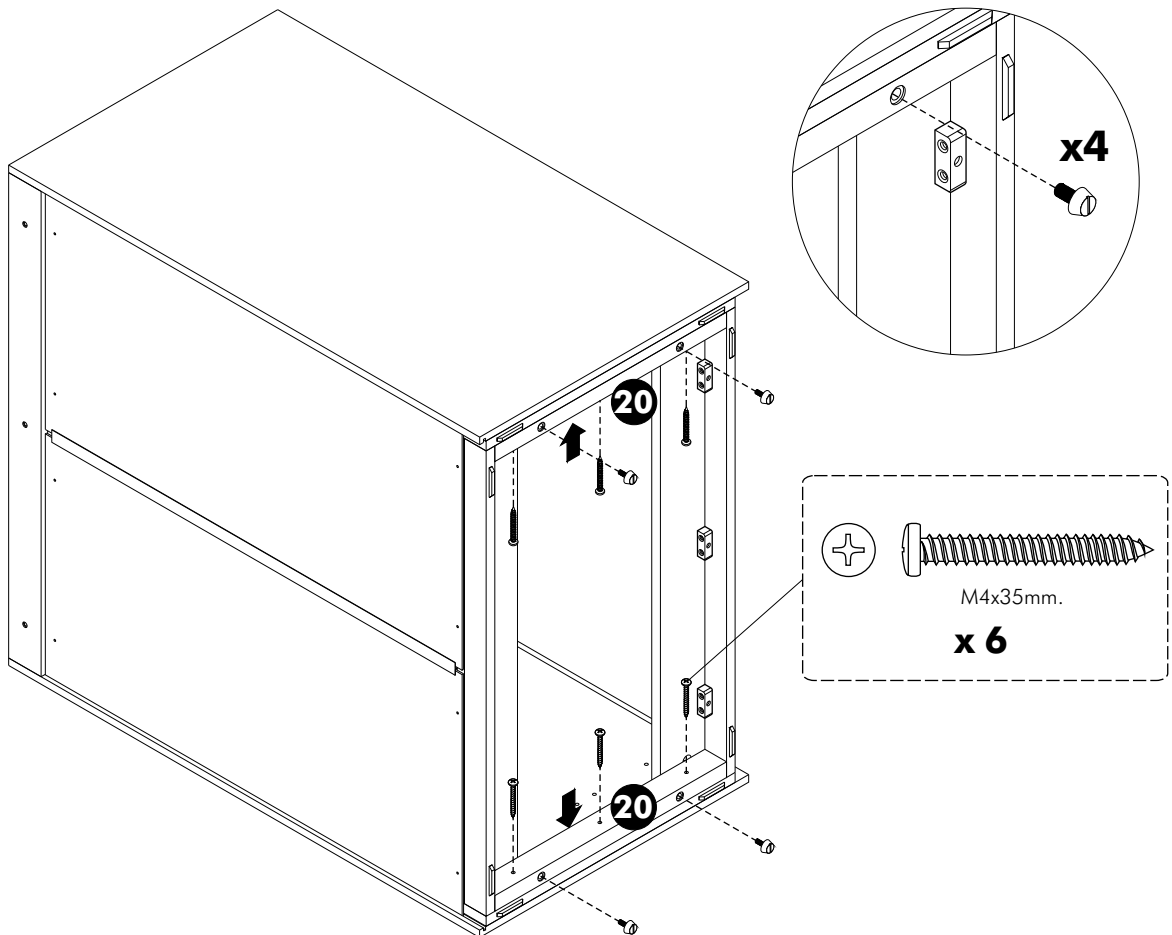
2.



3.



4.



ASSEMBLY

-DRAWER SET

