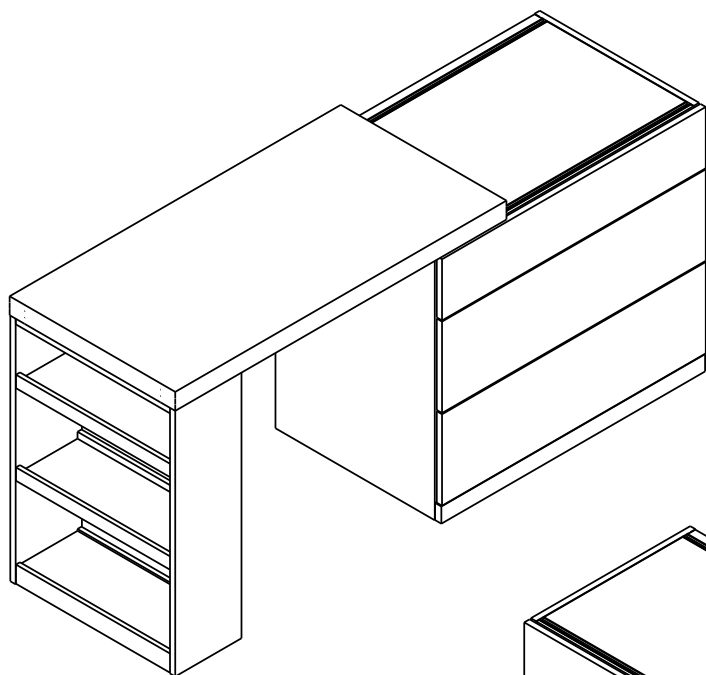
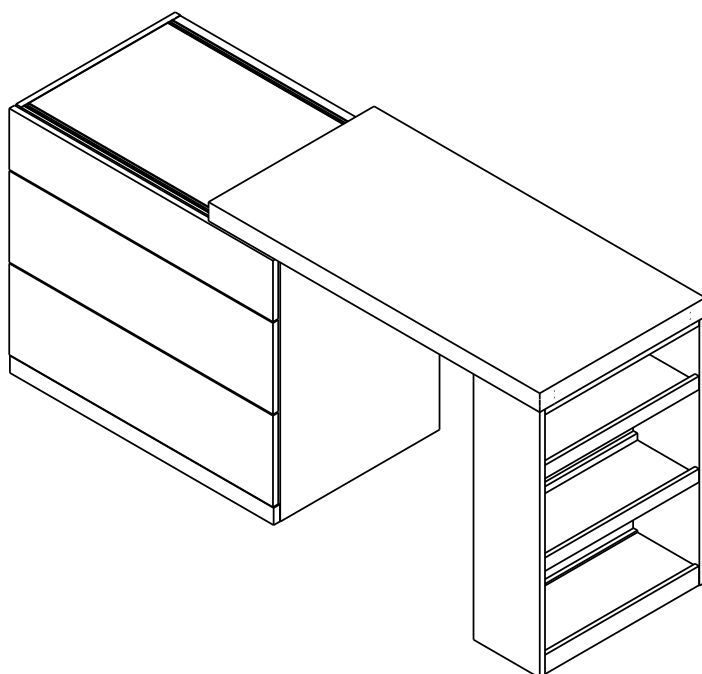


BISCOTTA/D-P

Sideboard 150 cm.

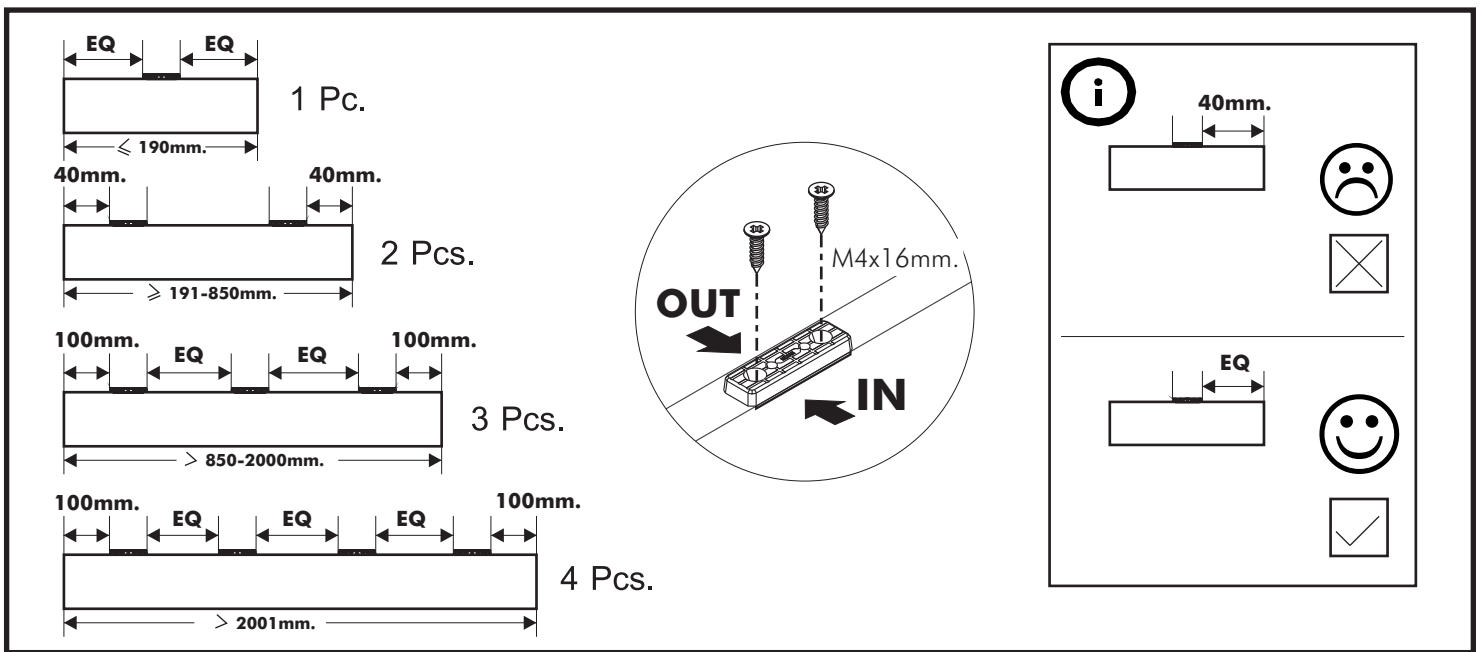
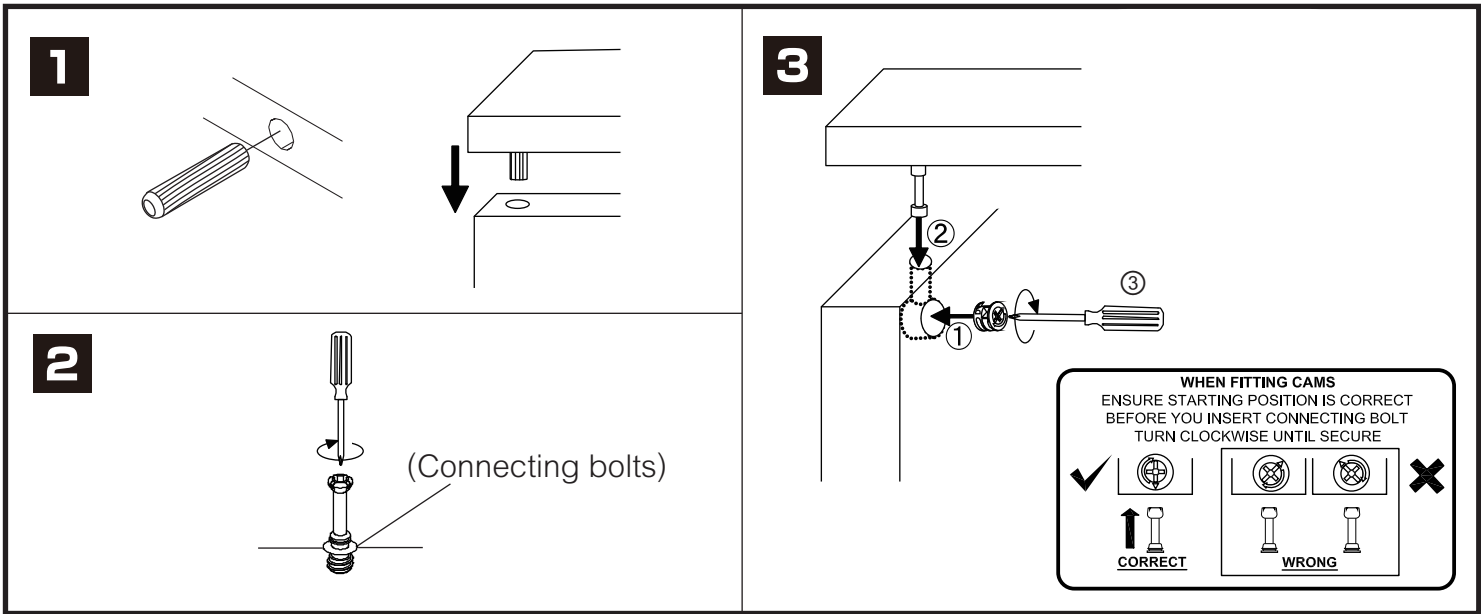


Type:Left



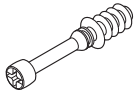
Type:Right

CONNECT SYSTEM



HARDWARE

-BODY SET

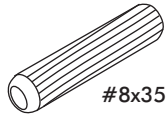


x 40



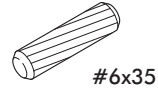
19mm.

x 16



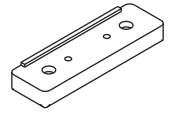
#8x35

x 18



#6x35

x 24

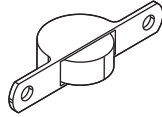


x 8

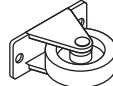


12mm.

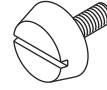
x 24



x 2



x 2



x 4



x 6

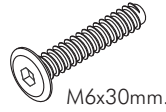


x 6



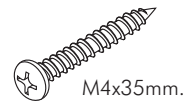
M4x16mm.

x 16



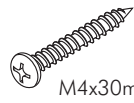
M6x30mm.

x 4



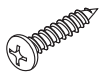
M4x35mm.

x 16



M4x30mm.

x 3



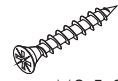
M3.5x16mm.

x 6



M3.5x13mm.

x 4



M3.5x25mm.

x 4



M3.5x20mm.

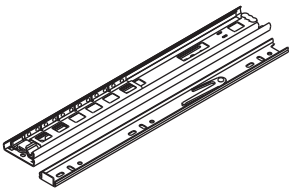
x 6



M3.5x16mm.

x 8

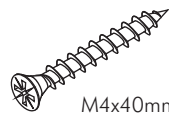
-DRAWER SET



x 3/3



x 12



M4x40mm.

x 36



M6x23mm.

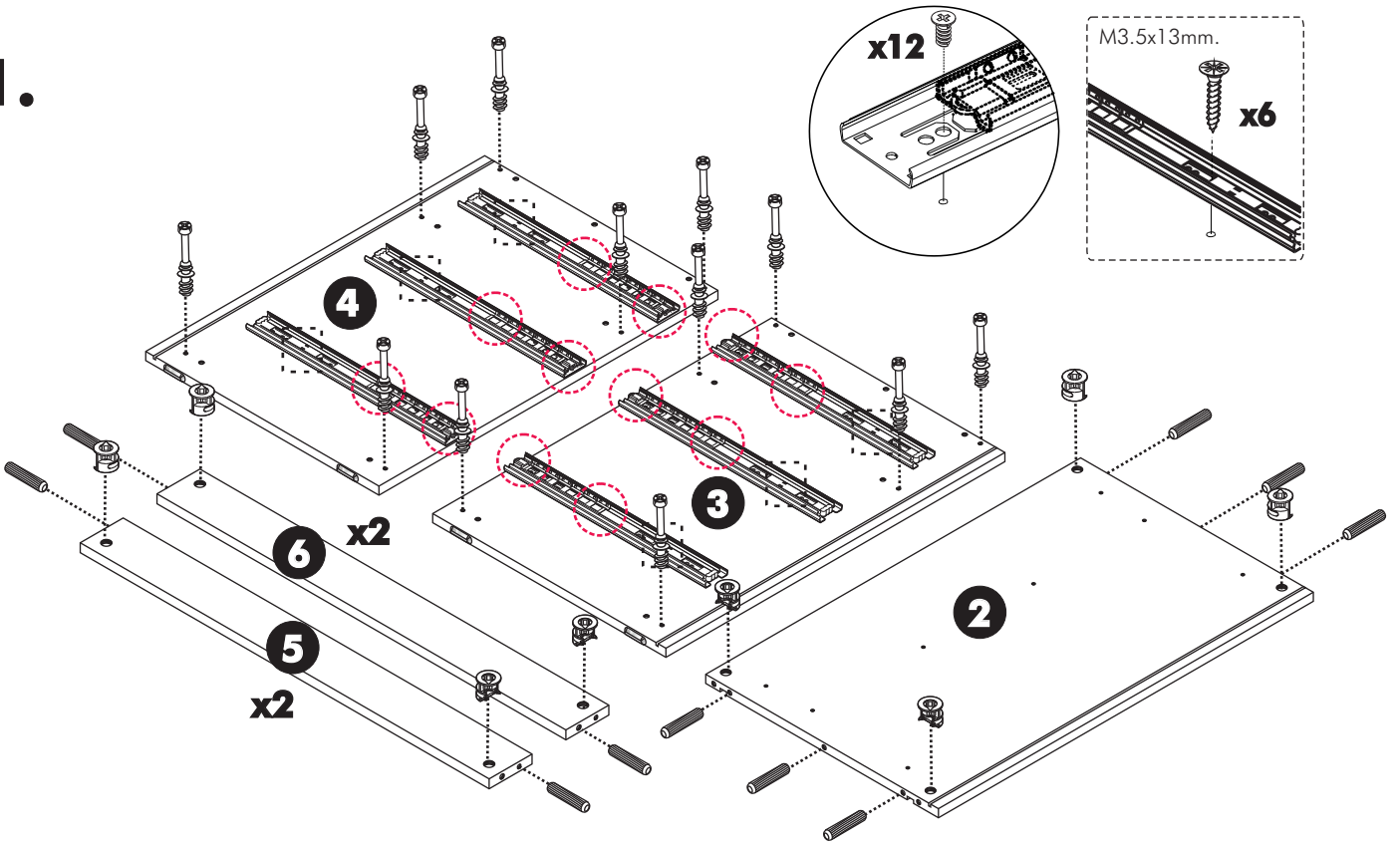
x 18



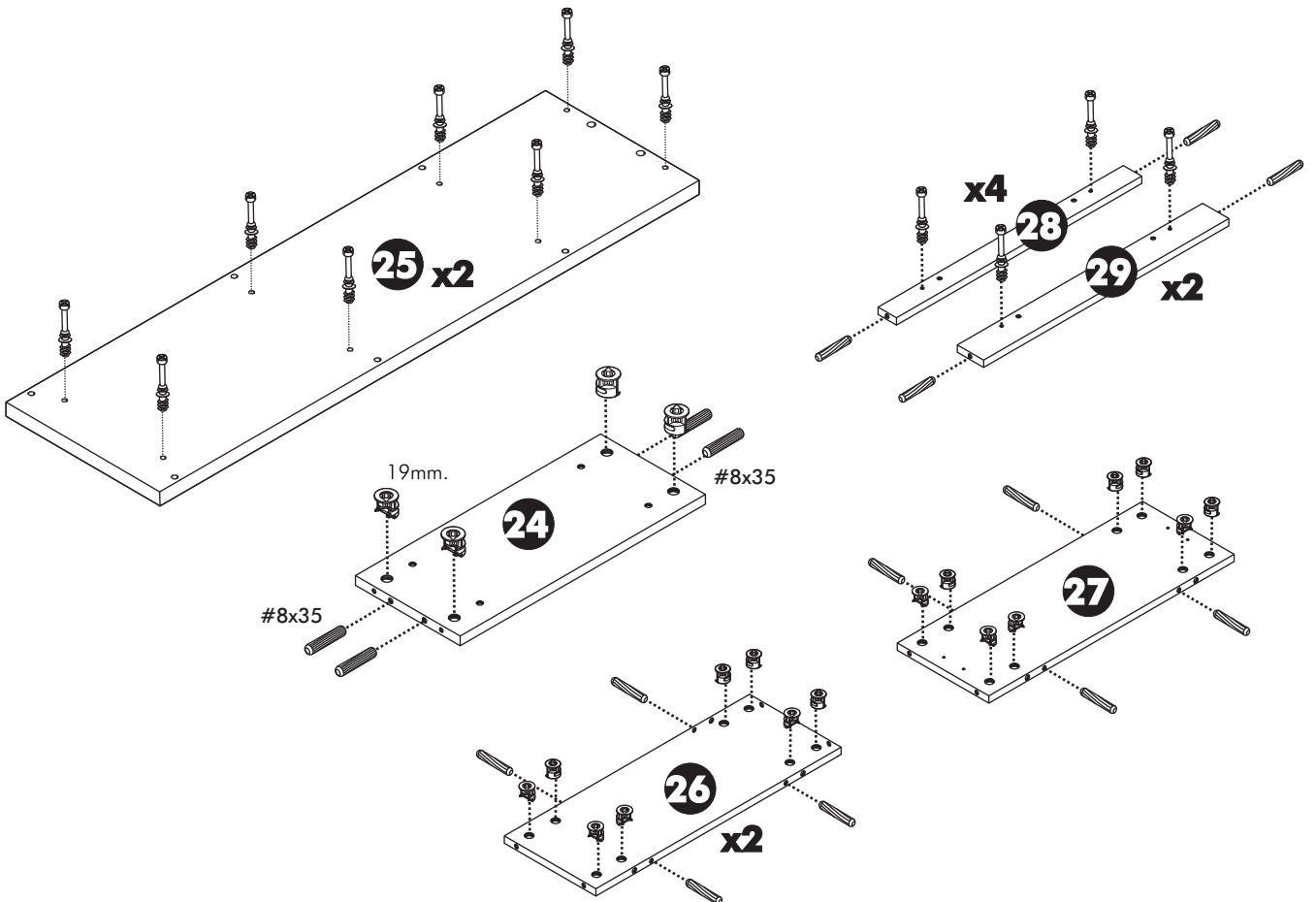
M3.5x13mm.

x 24

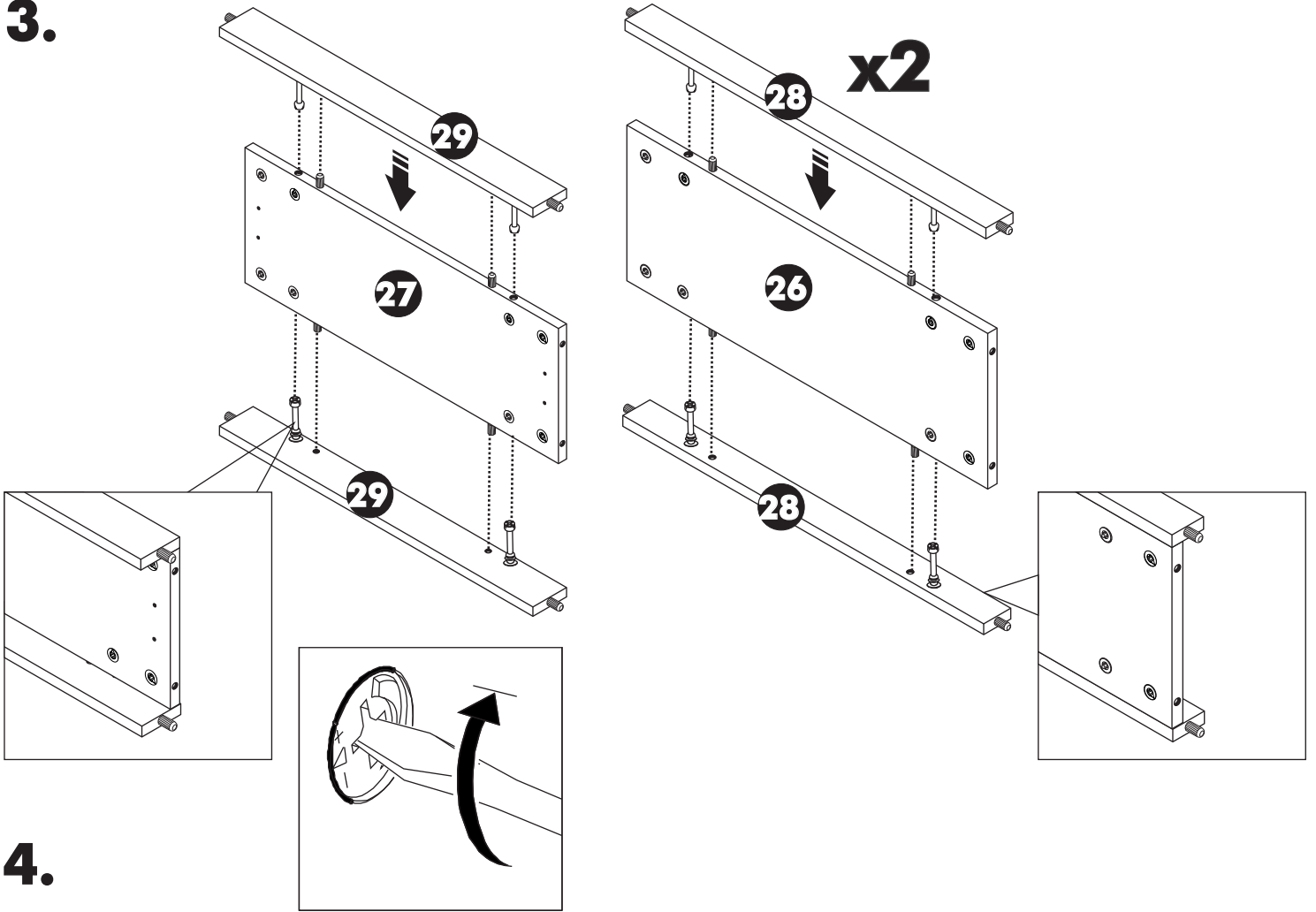
1.



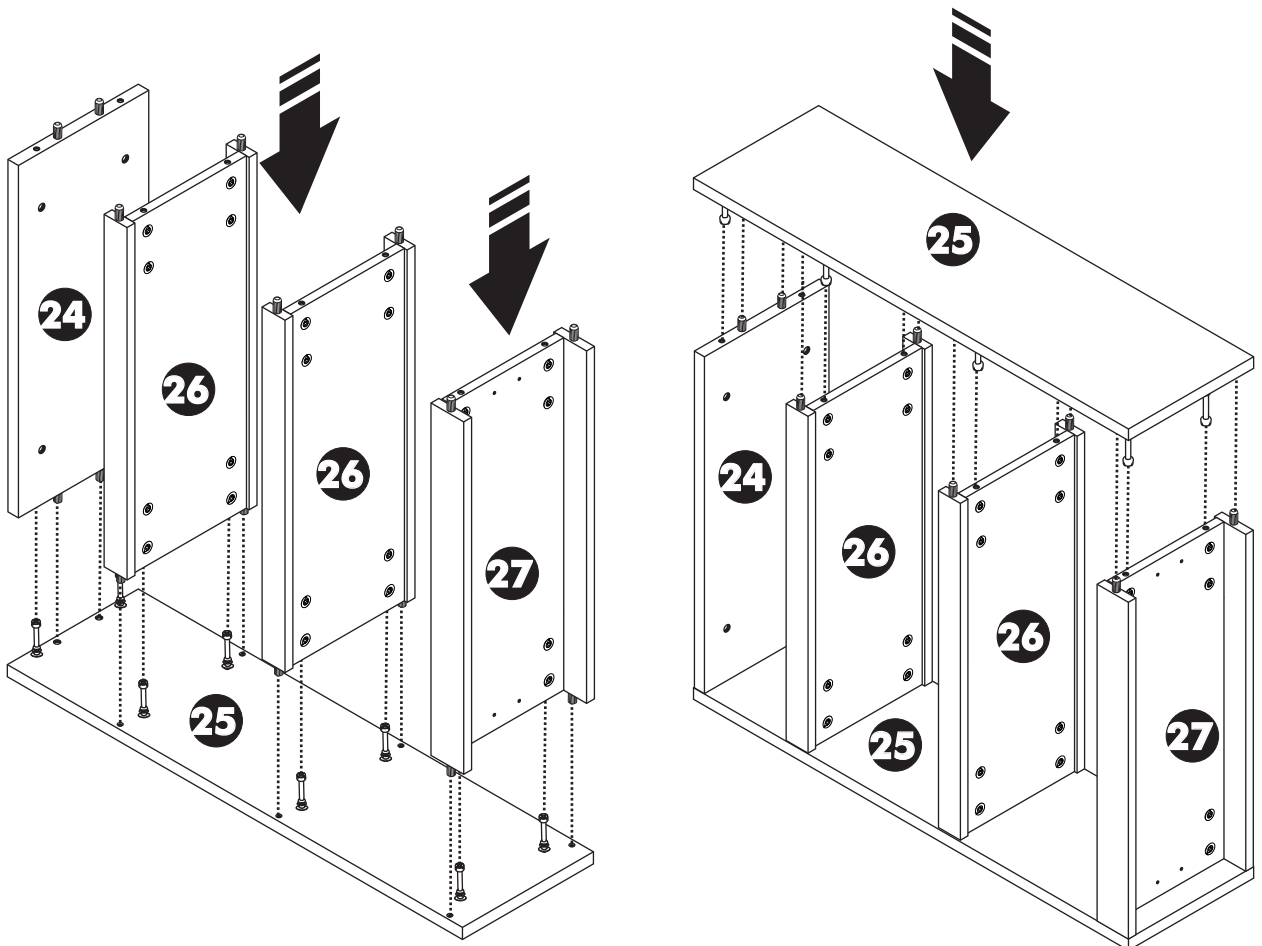
2.



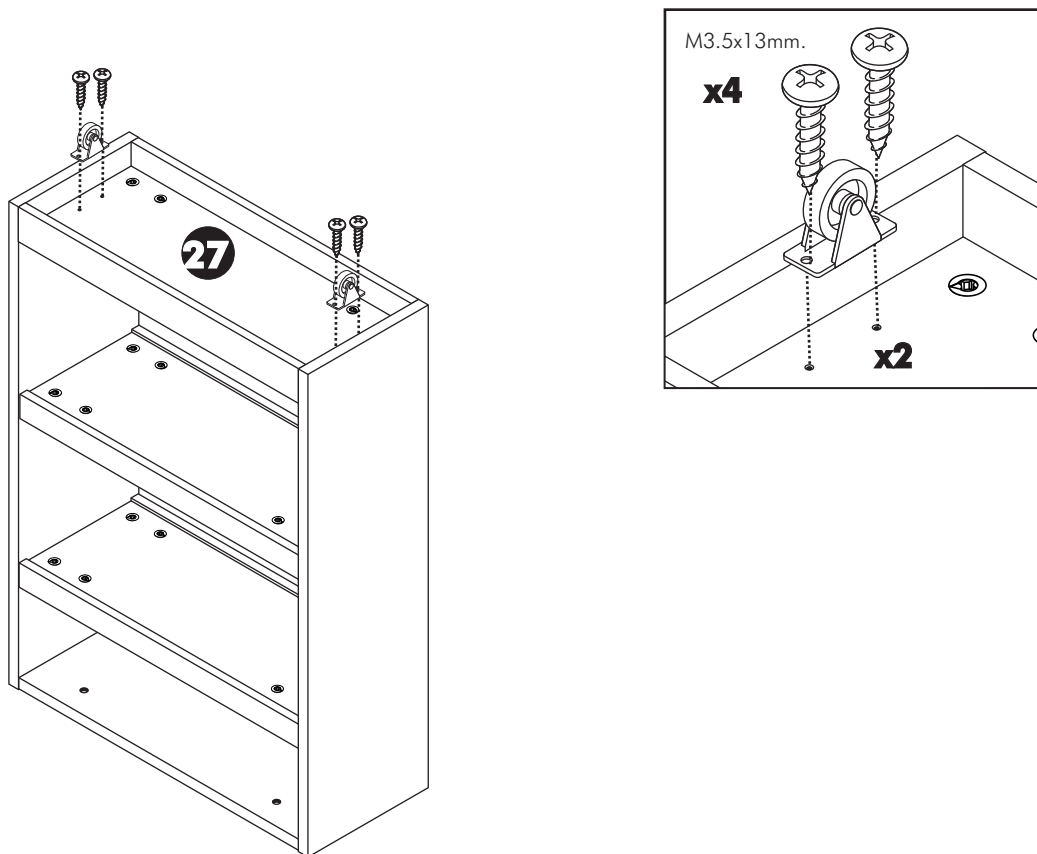
3.



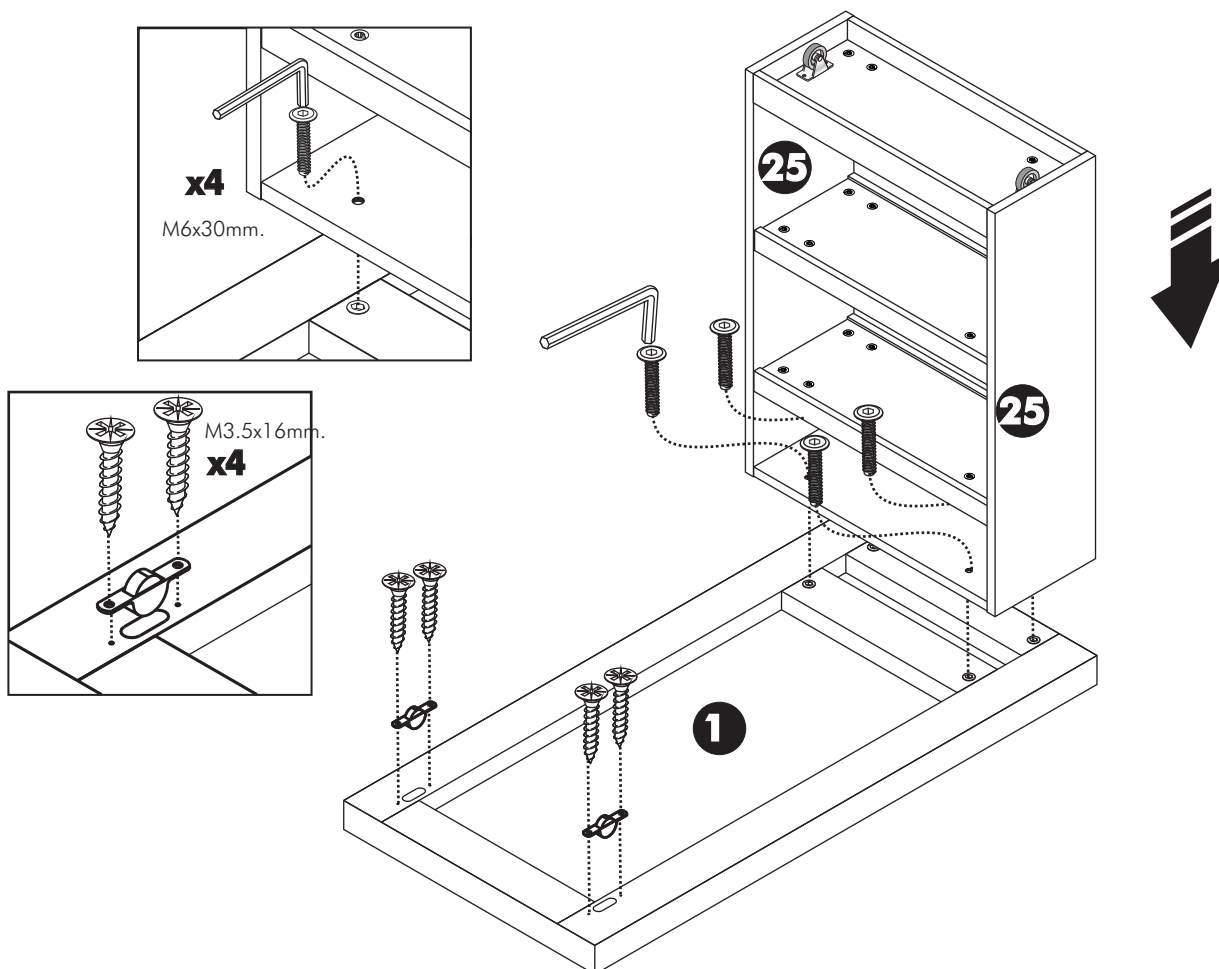
4.



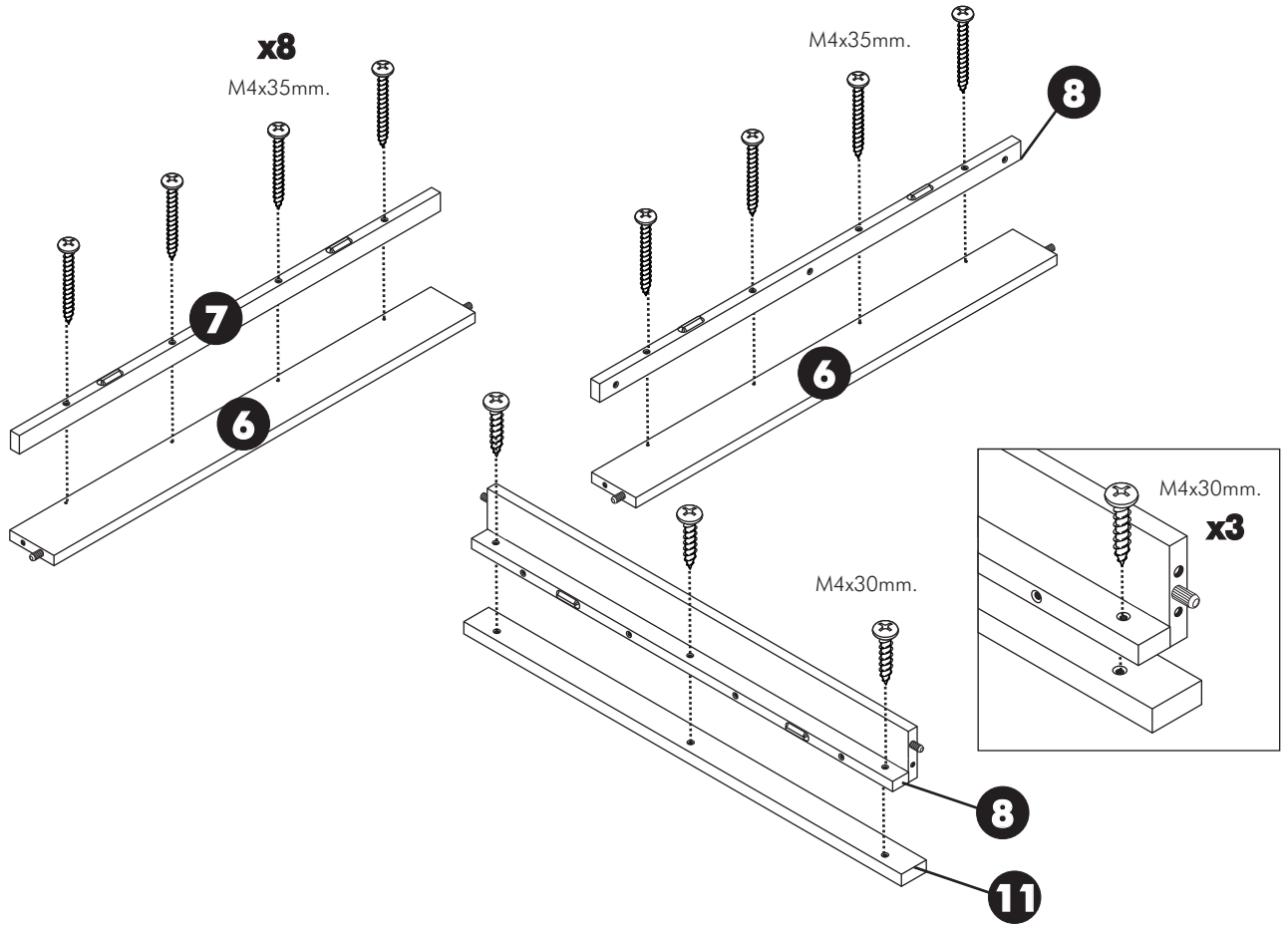
5.



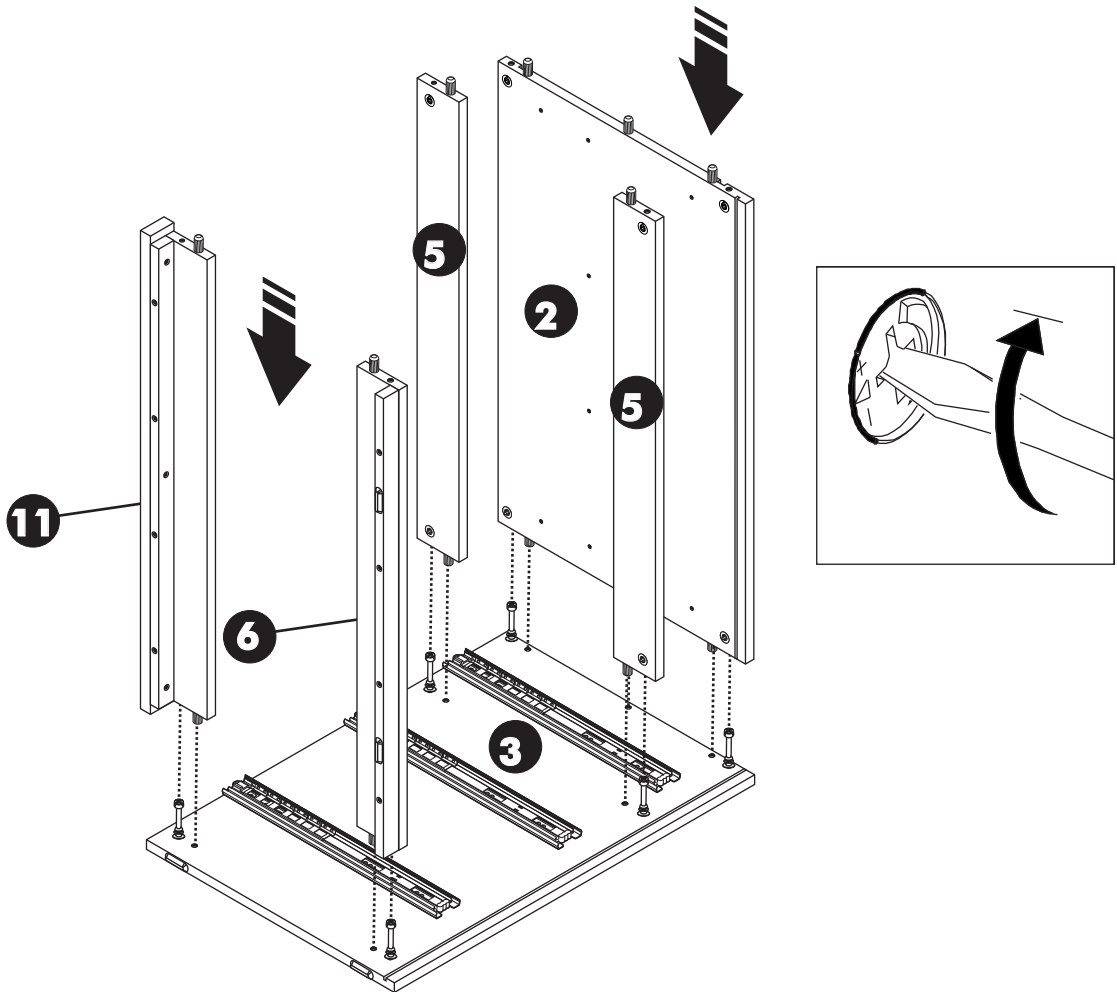
6.



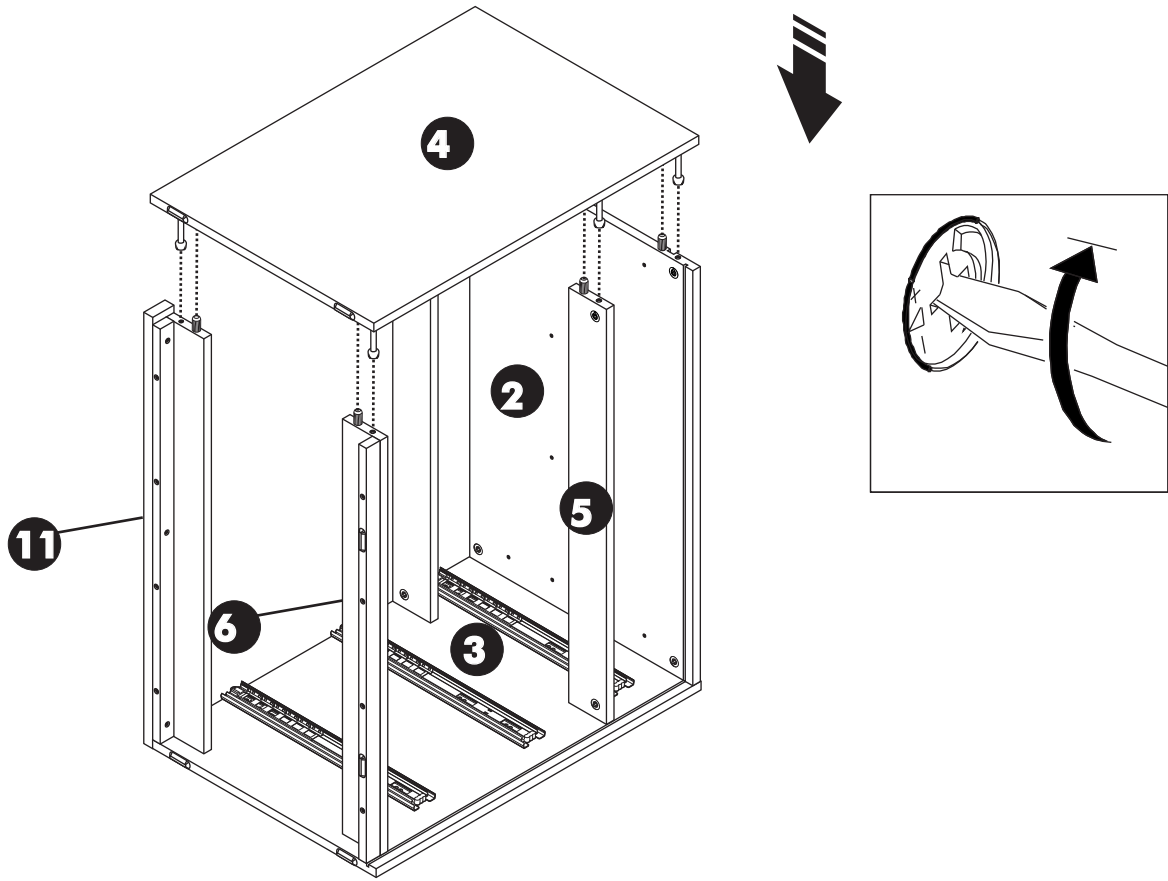
7.



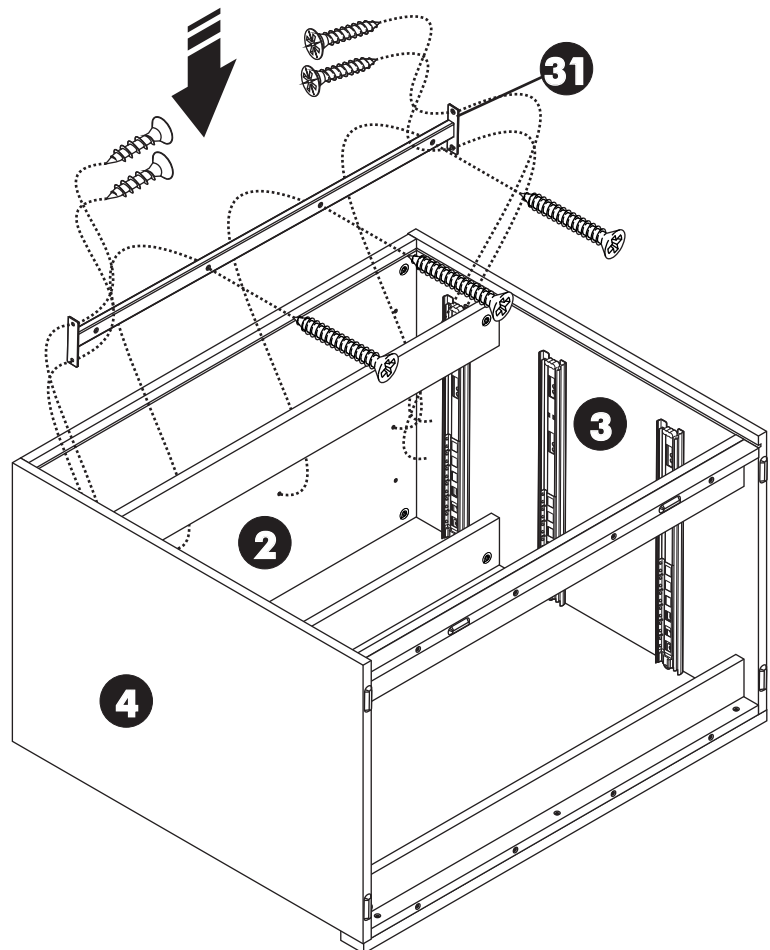
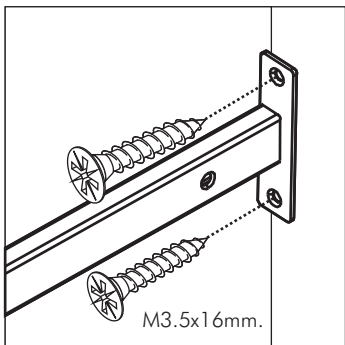
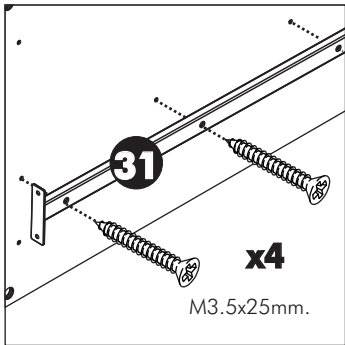
8.



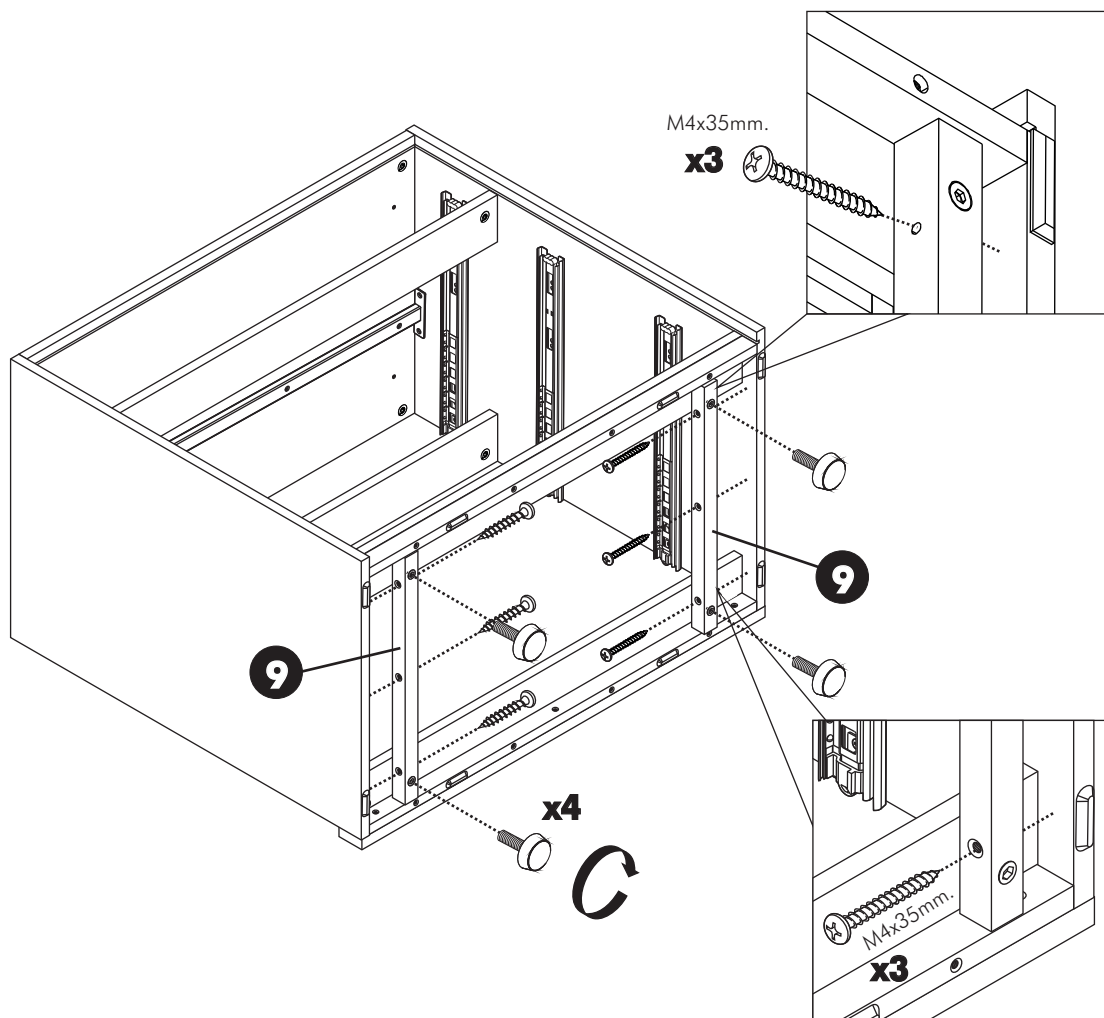
9.



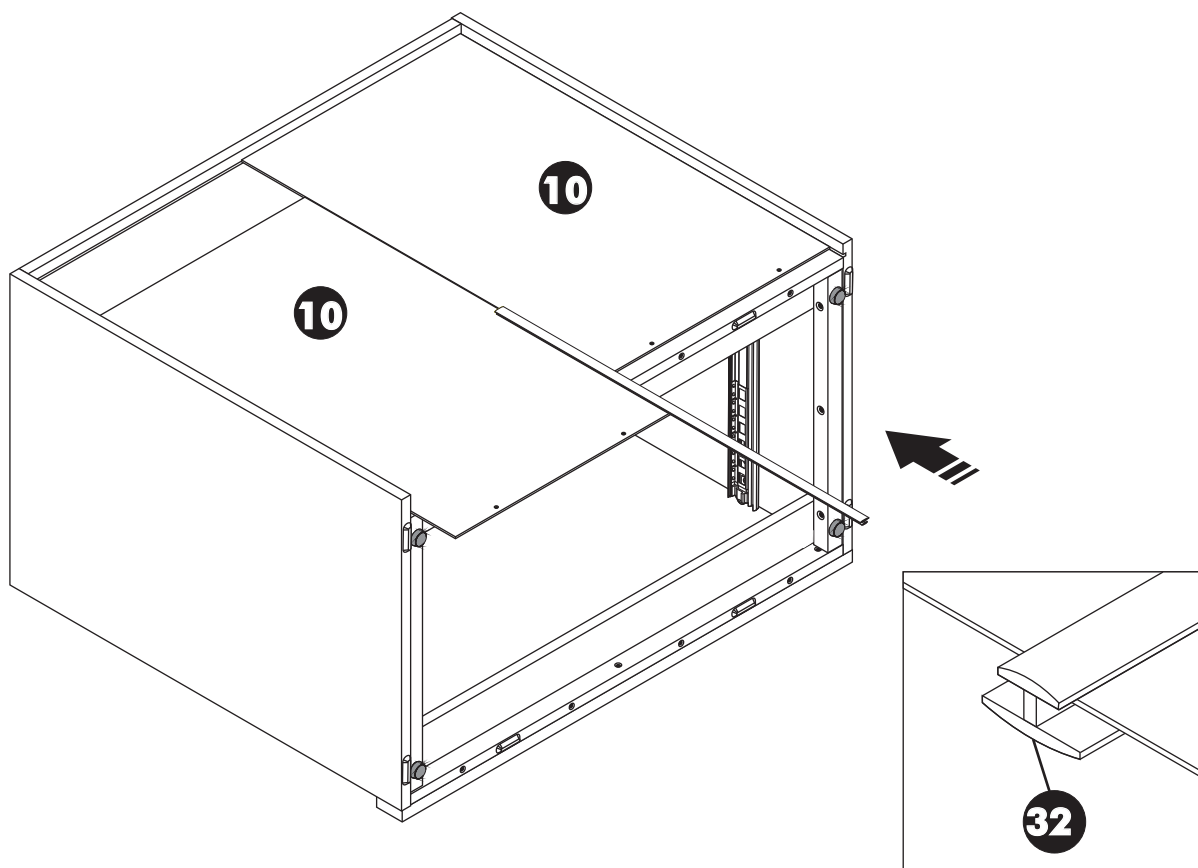
10.



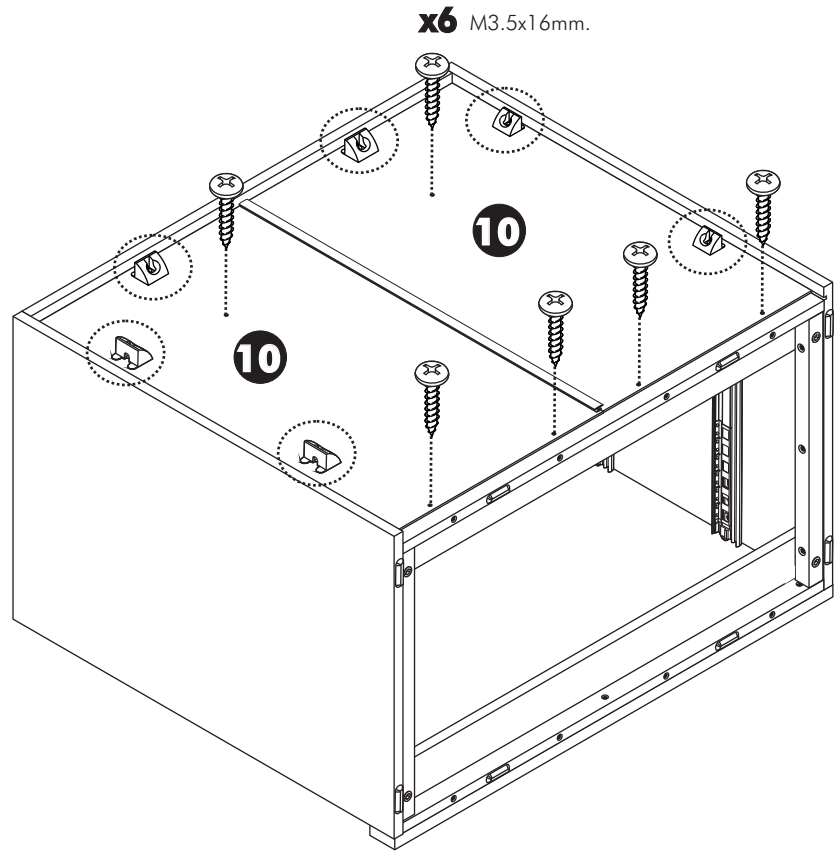
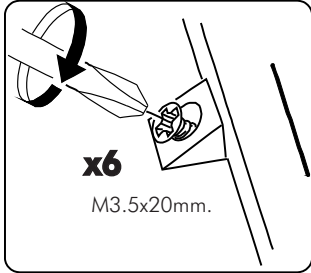
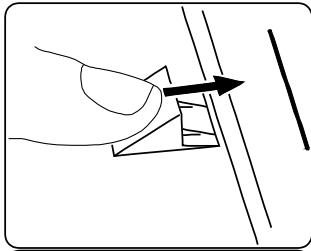
11.



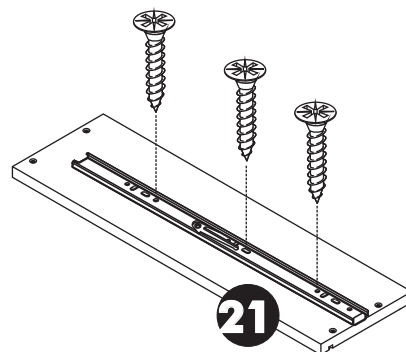
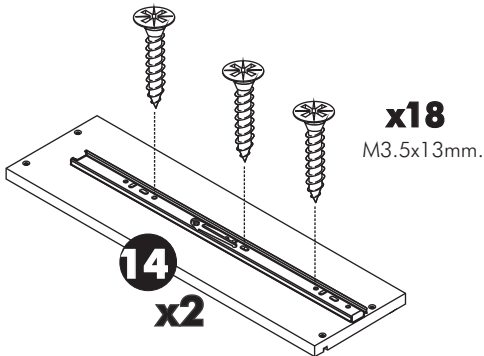
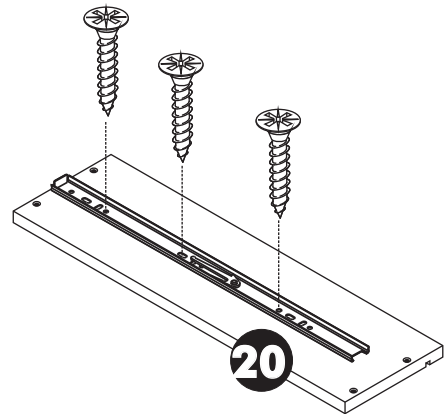
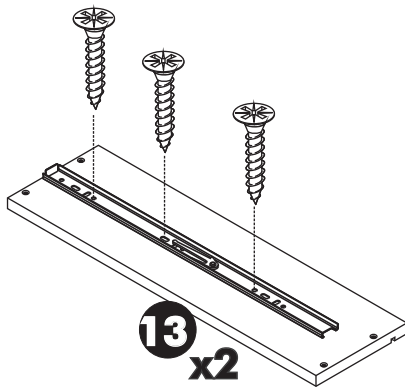
12.



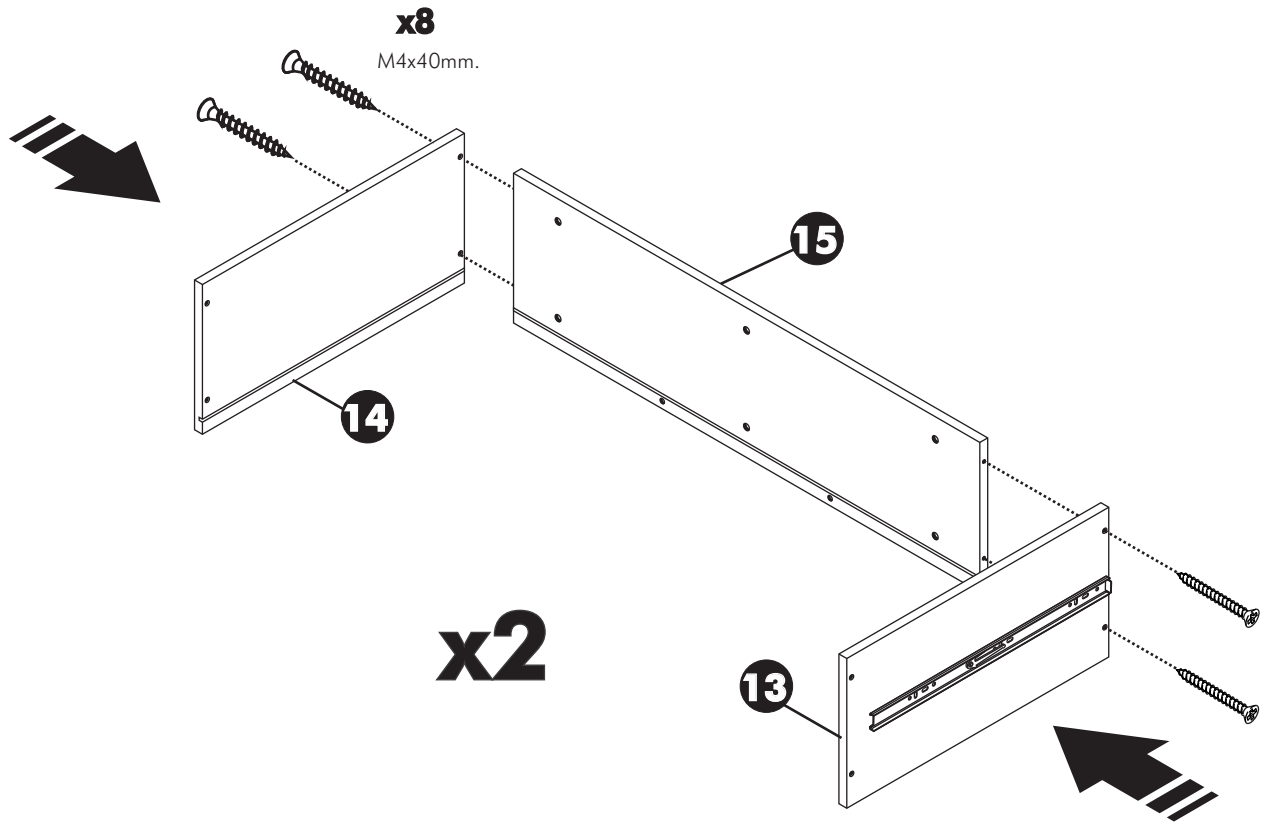
13.



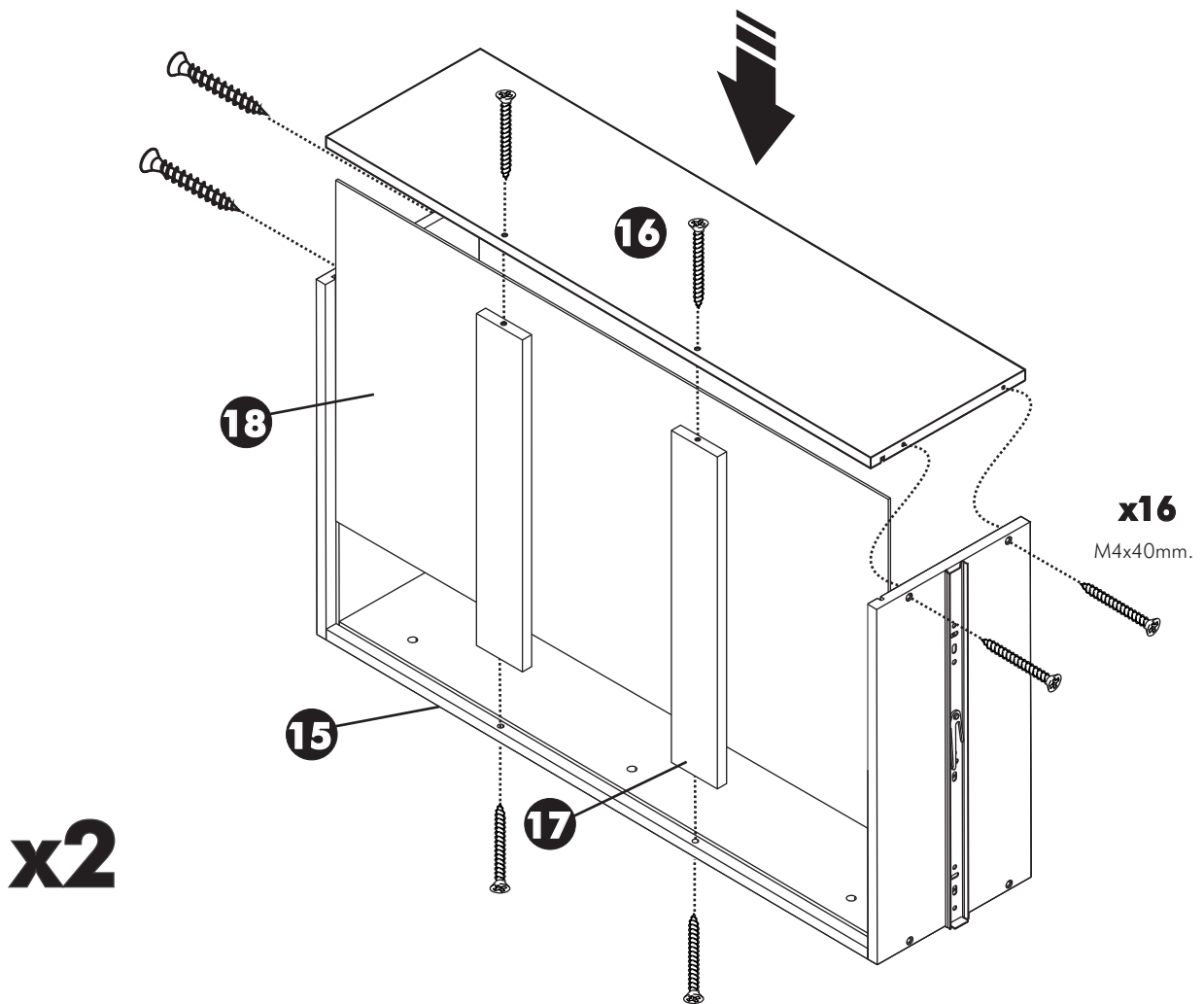
14.



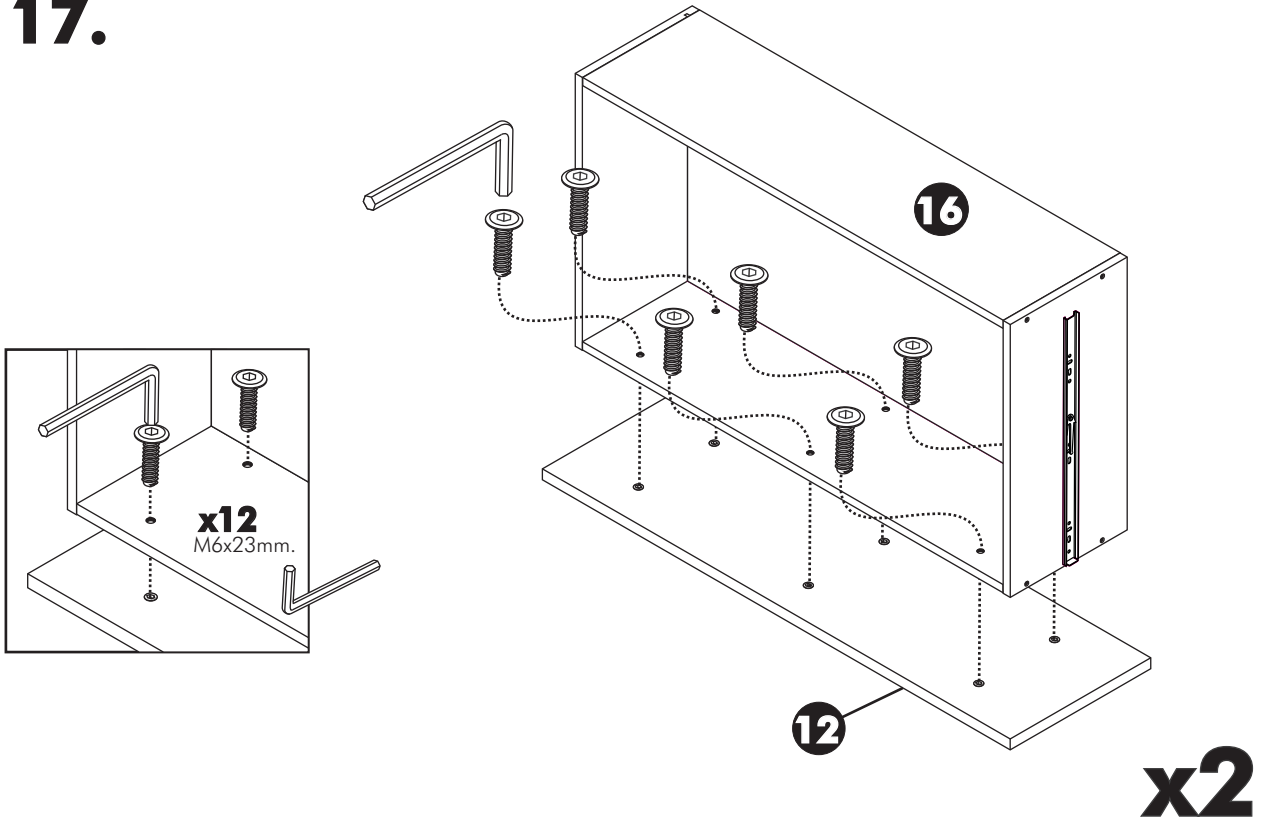
15.



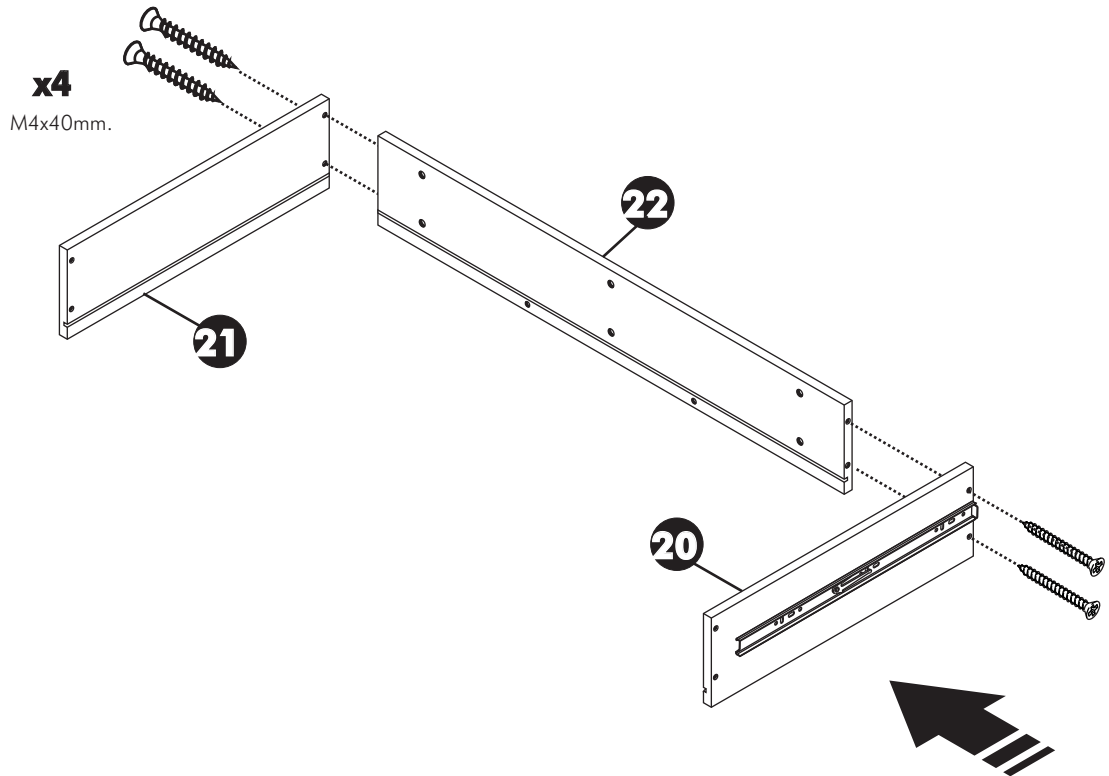
16.



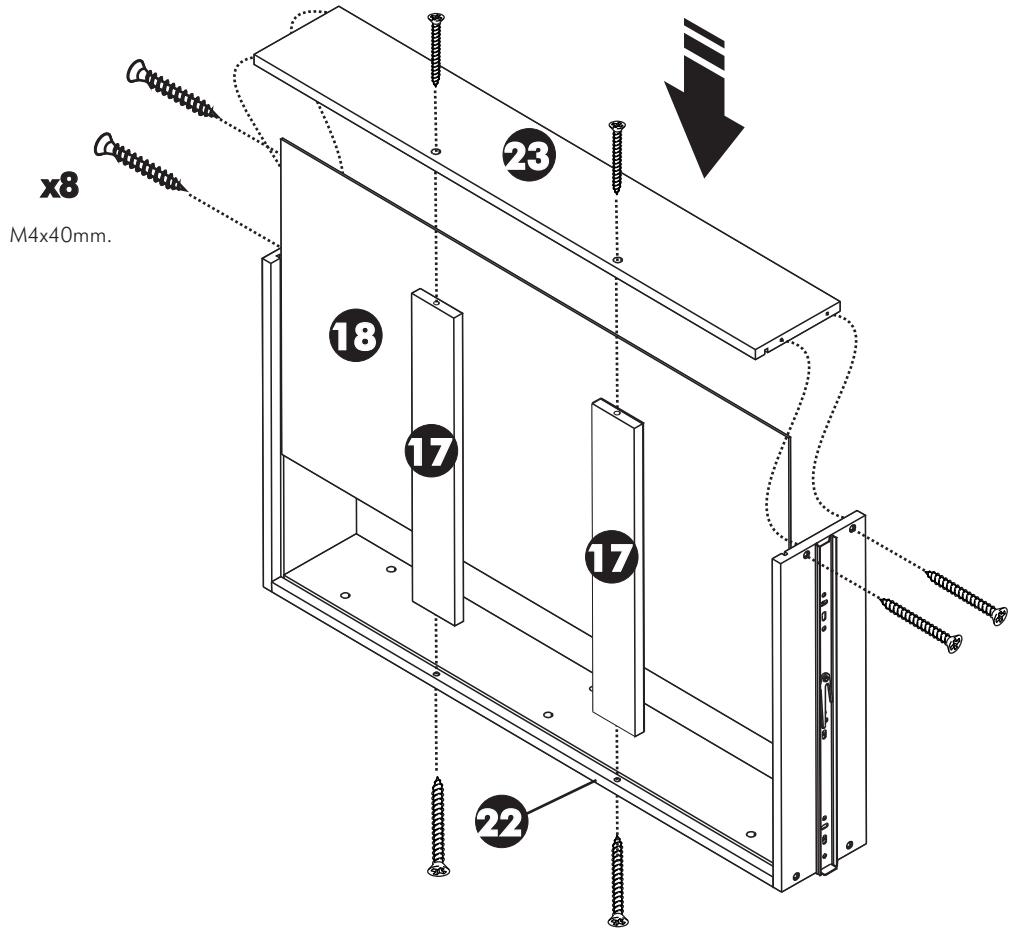
17.



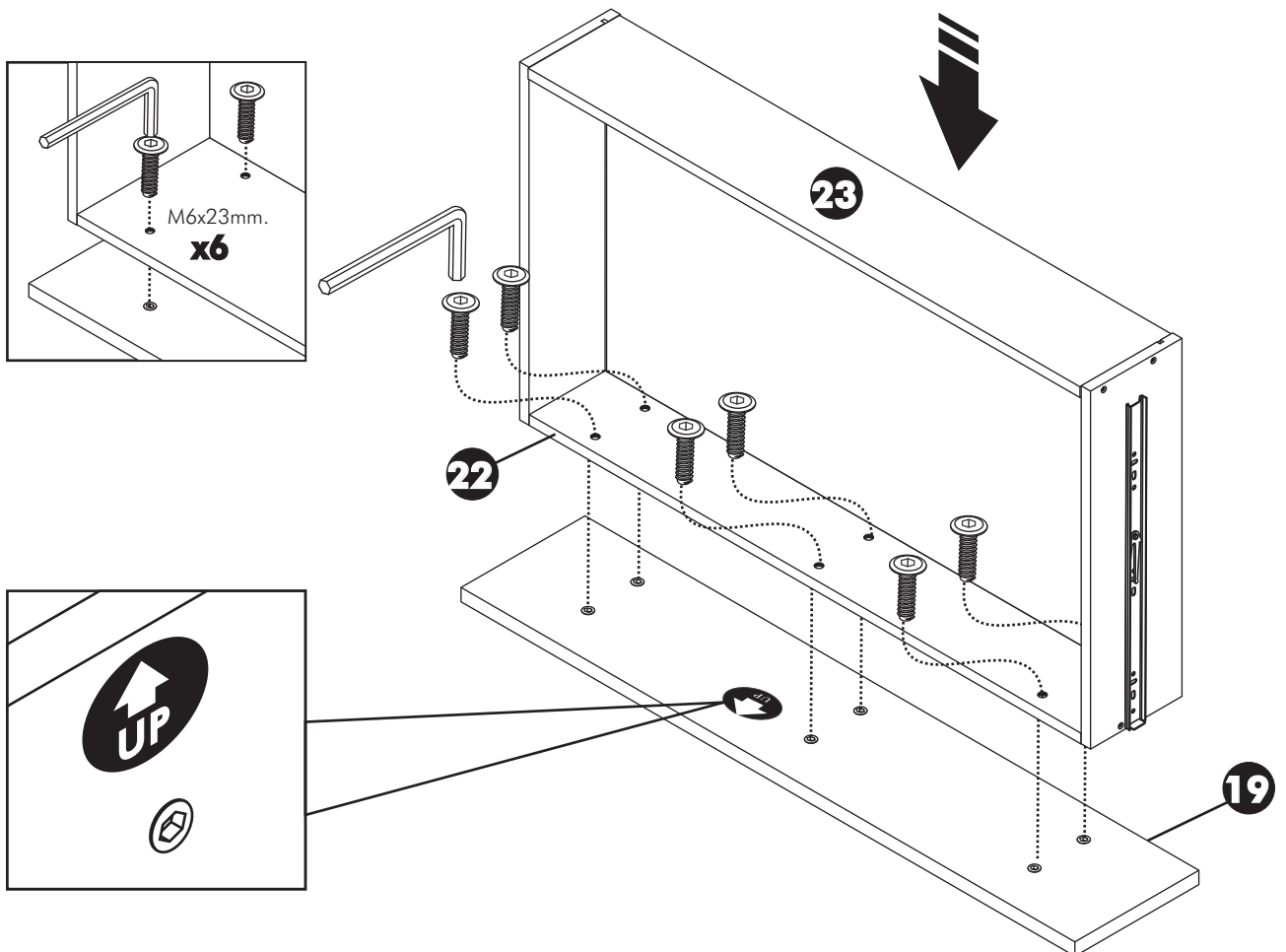
18.



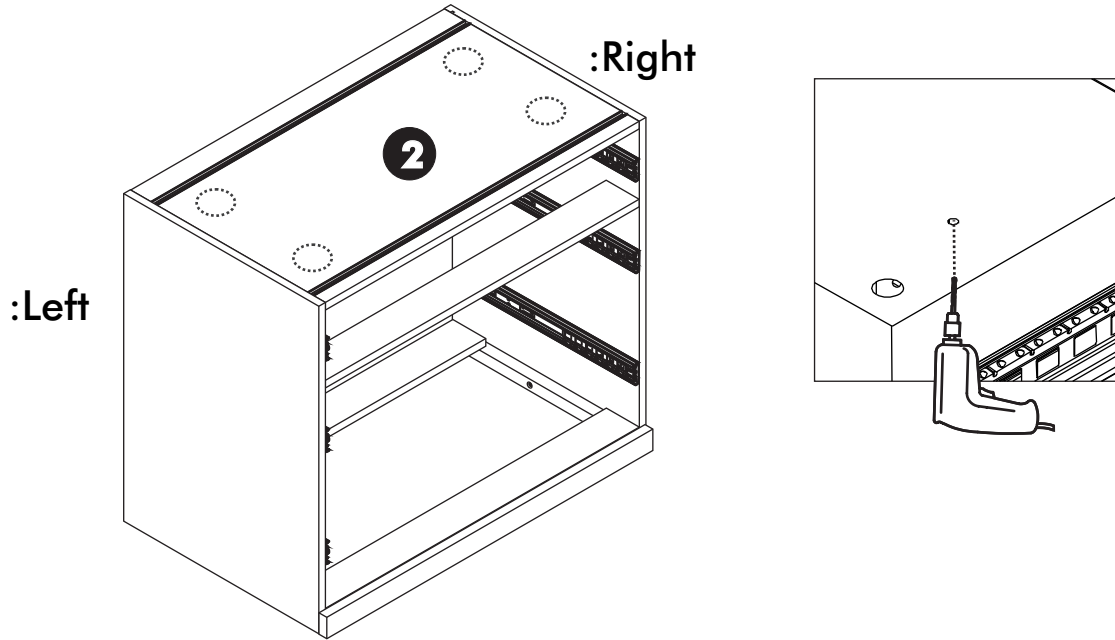
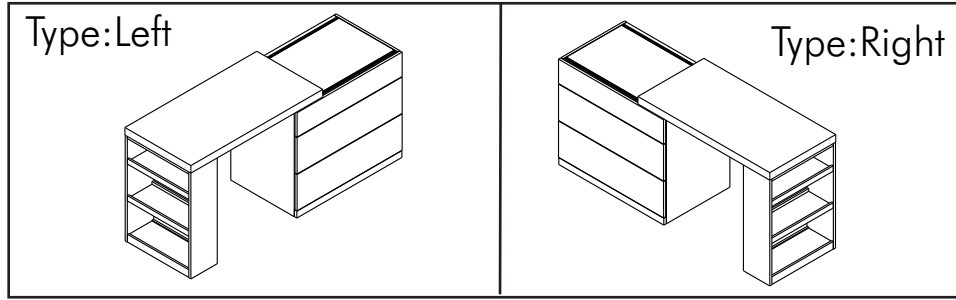
19.



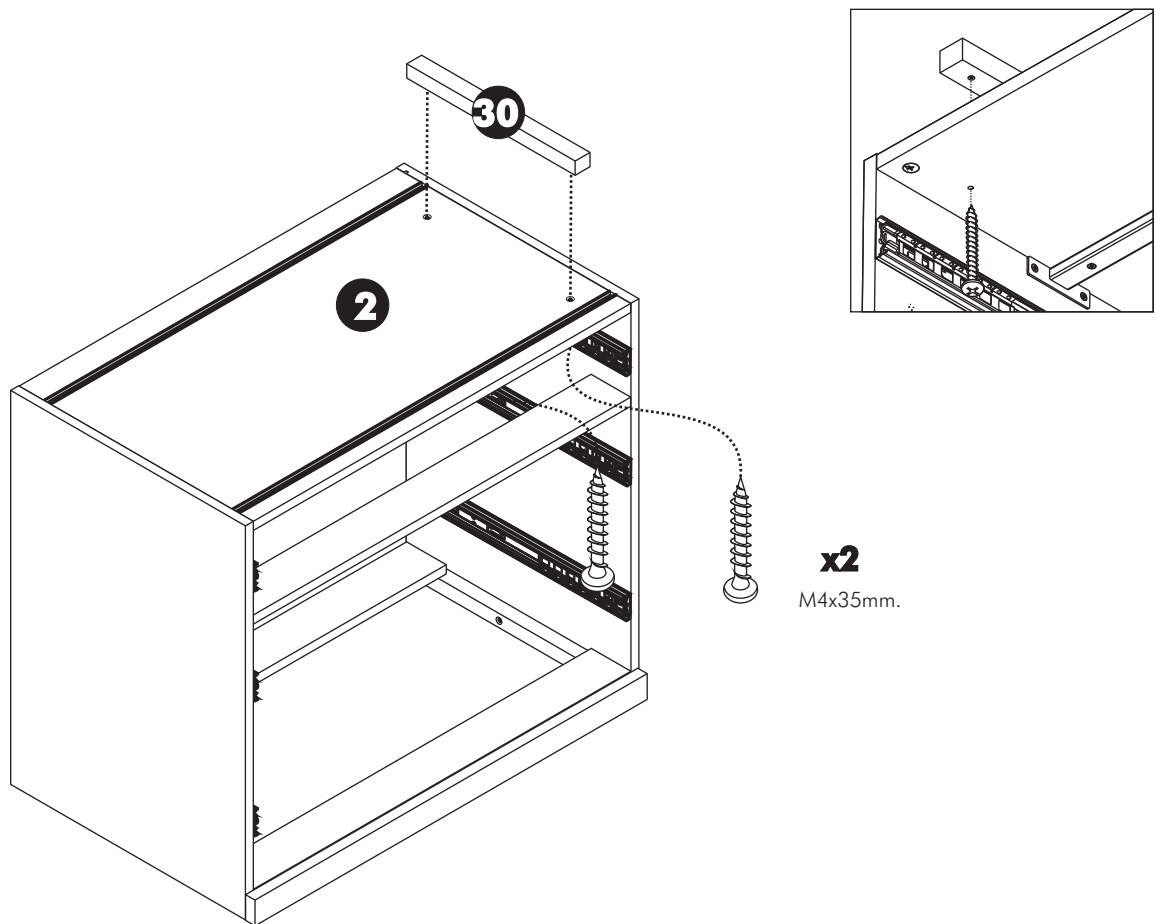
20.



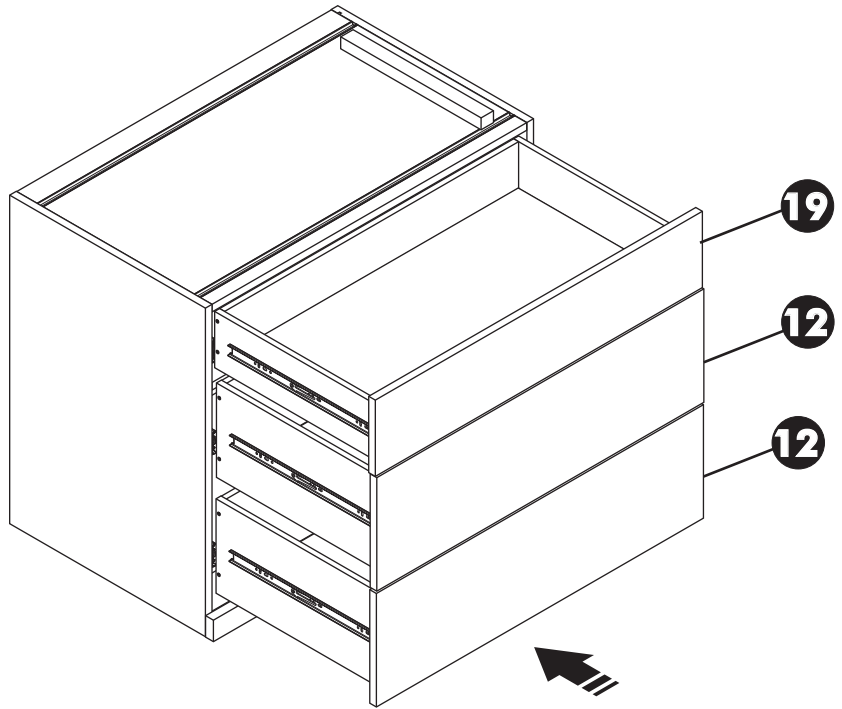
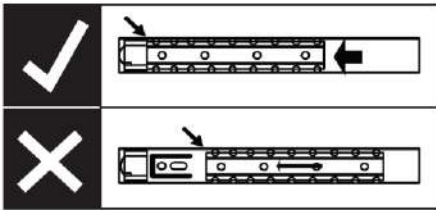
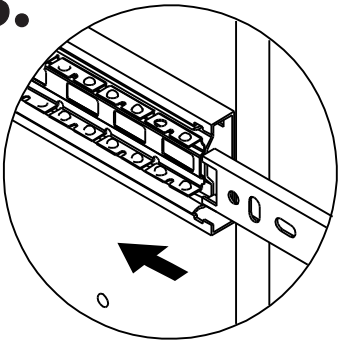
21.



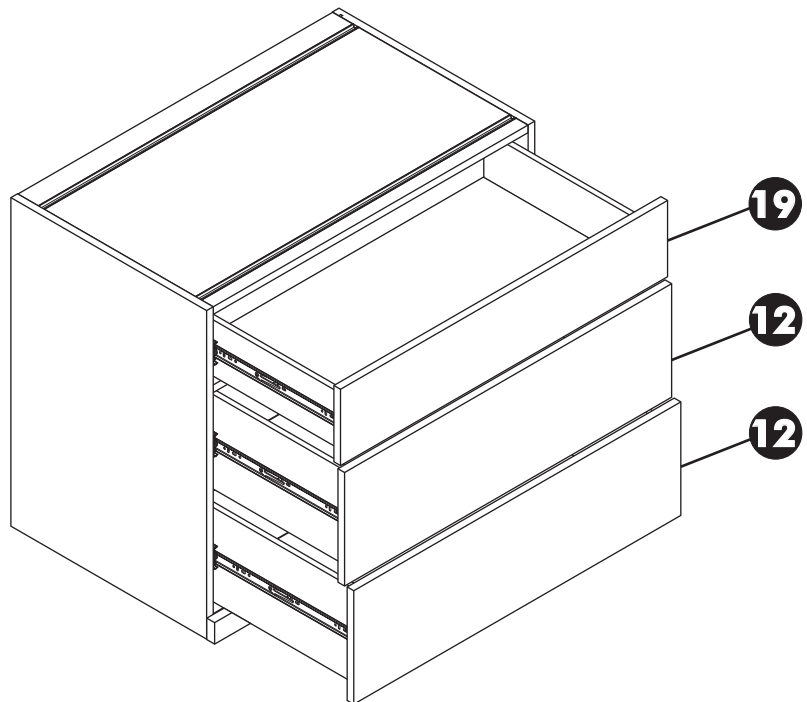
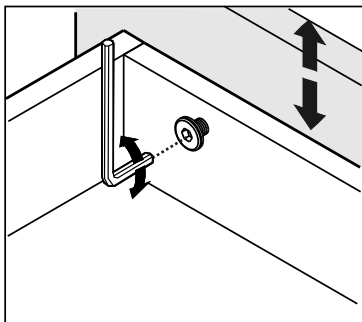
22.



23.



NOTE: Make sure ball bearings of glides on unit are positioned toward the front of the unit prior to inserting the drawer.



AFTER FINISHED ASSEMBLY
IN CASE OF GAP BETWEEN DRAWERS ARE NOT ALIGN
PLEASE ADJUST AS BELOW
1 .LOOSE SCREW A LITTLE BIT
2 .THEN MOVE FRONT DRAWER TO ALINGMENT POSITION
3 .TIGHTEN SCREW

24.

