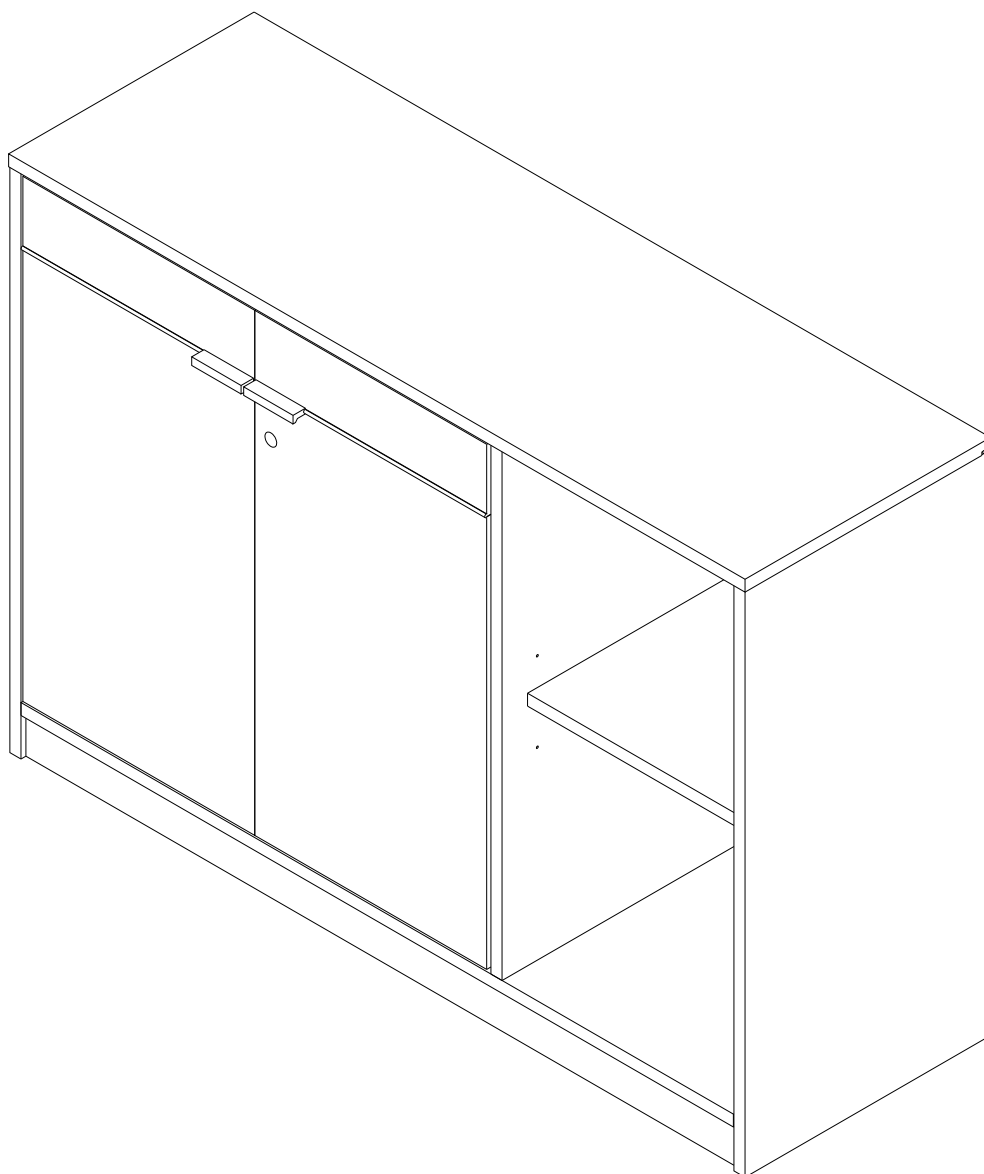
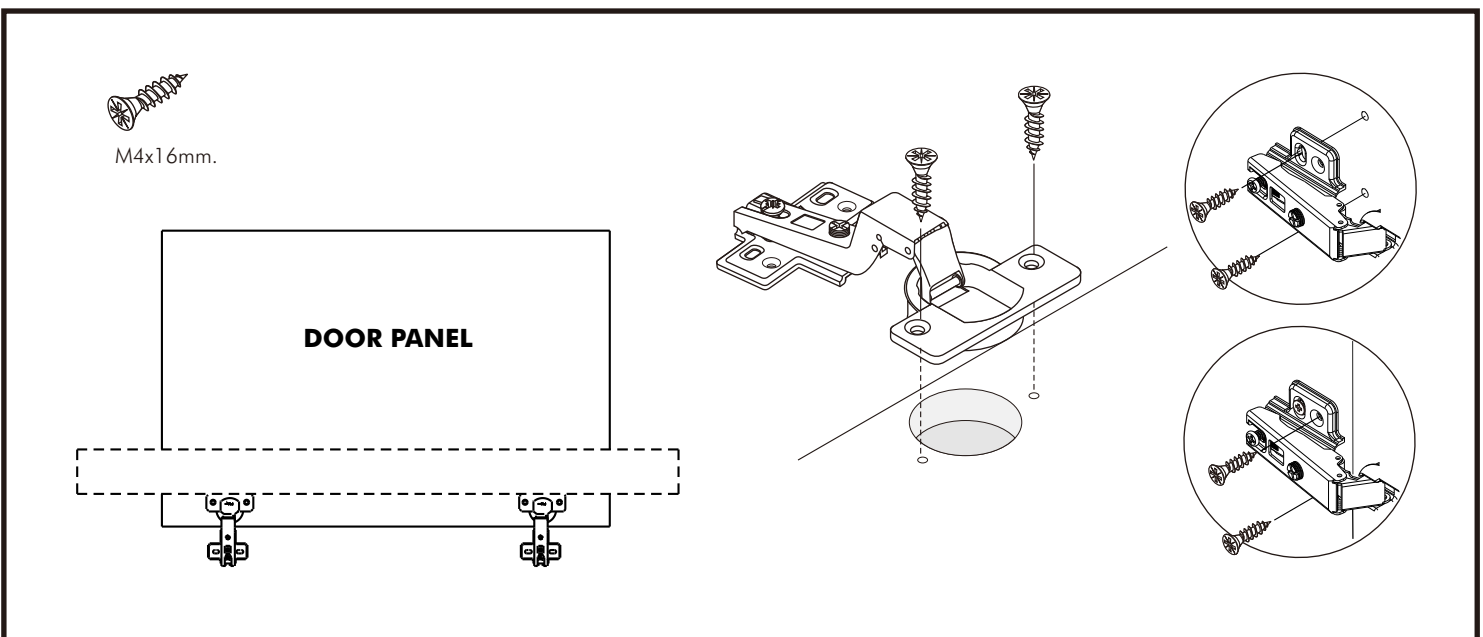
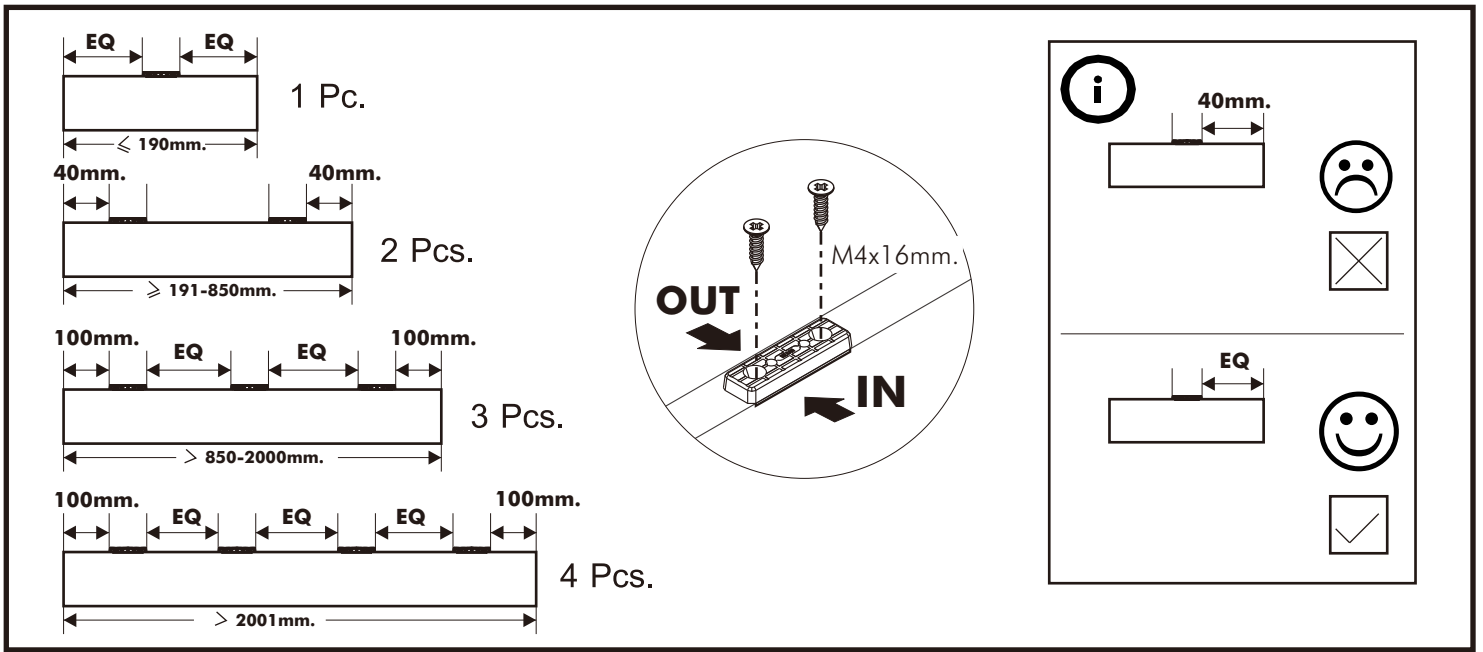
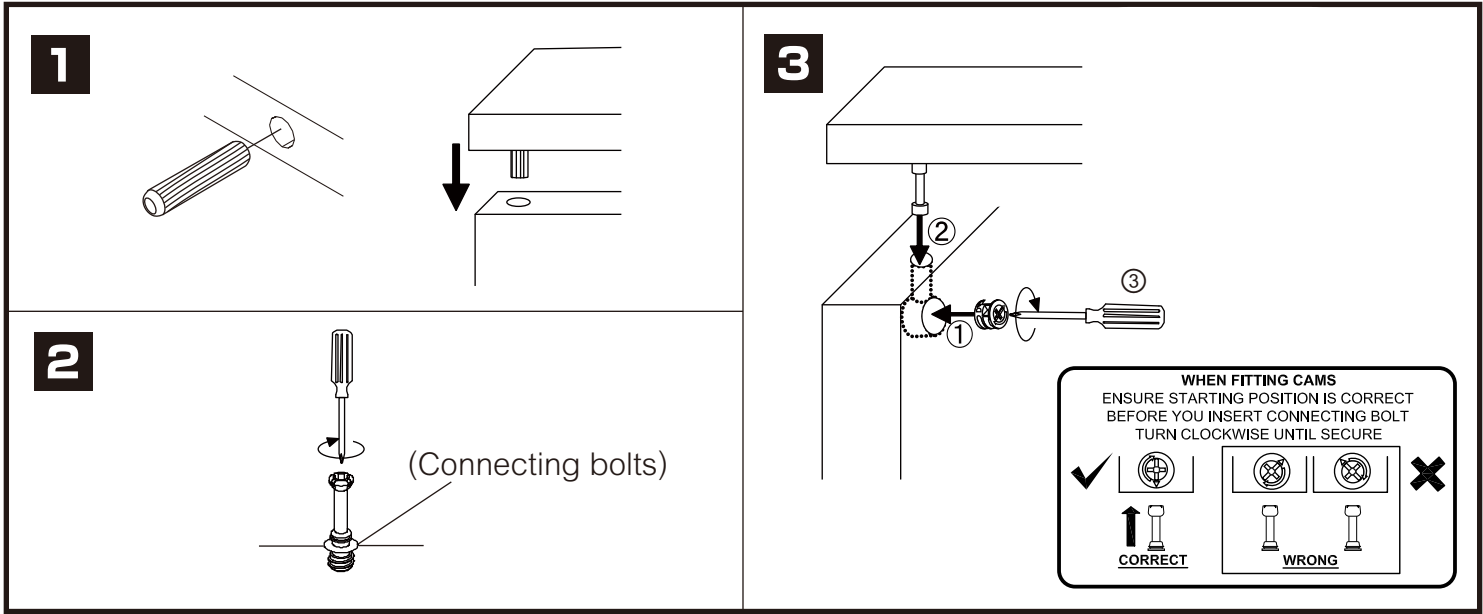


VECTRA-P

Low cabinet 2 doors 120 cm.

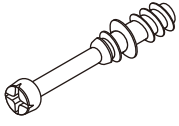


CONNECT SYSTEM



HARDWARE

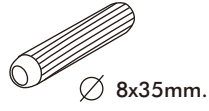
- BODY SET



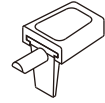
X 10



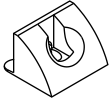
X 10



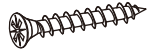
X 12



X 8

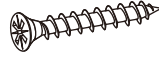


X 12



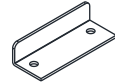
#M 3.5x20mm. (F)

X 12



#M 4x25mm. (F)

X 6



X 1

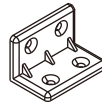


X 2

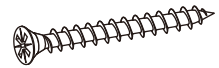


#M 4x16mm. (F)

X 44

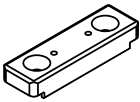


X 8



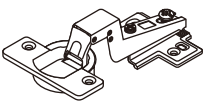
#M 4x40mm. (F)

X 2



X 6

- DOORS SET

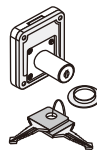


X 4

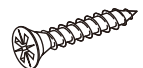


#M 4x16mm. (F)

X 24

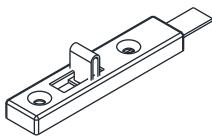


X 1

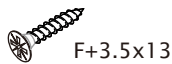


#5x3/4" (F)

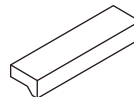
X 4



X 1



X 1



X 2

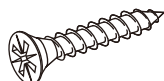


#M 4x22mm.

X 4



X 1



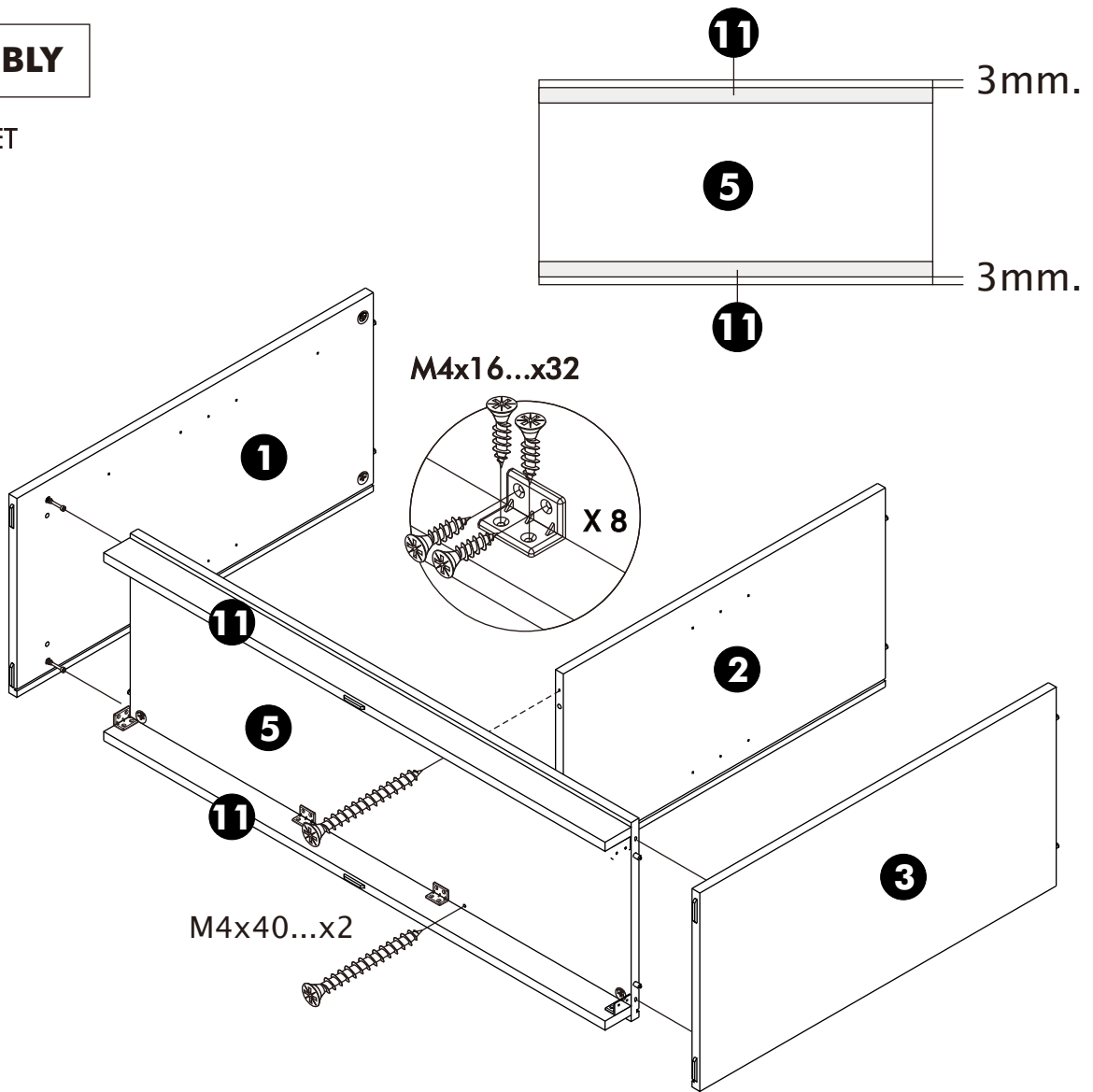
#6x3/4" (F)

X 2

ASSEMBLY

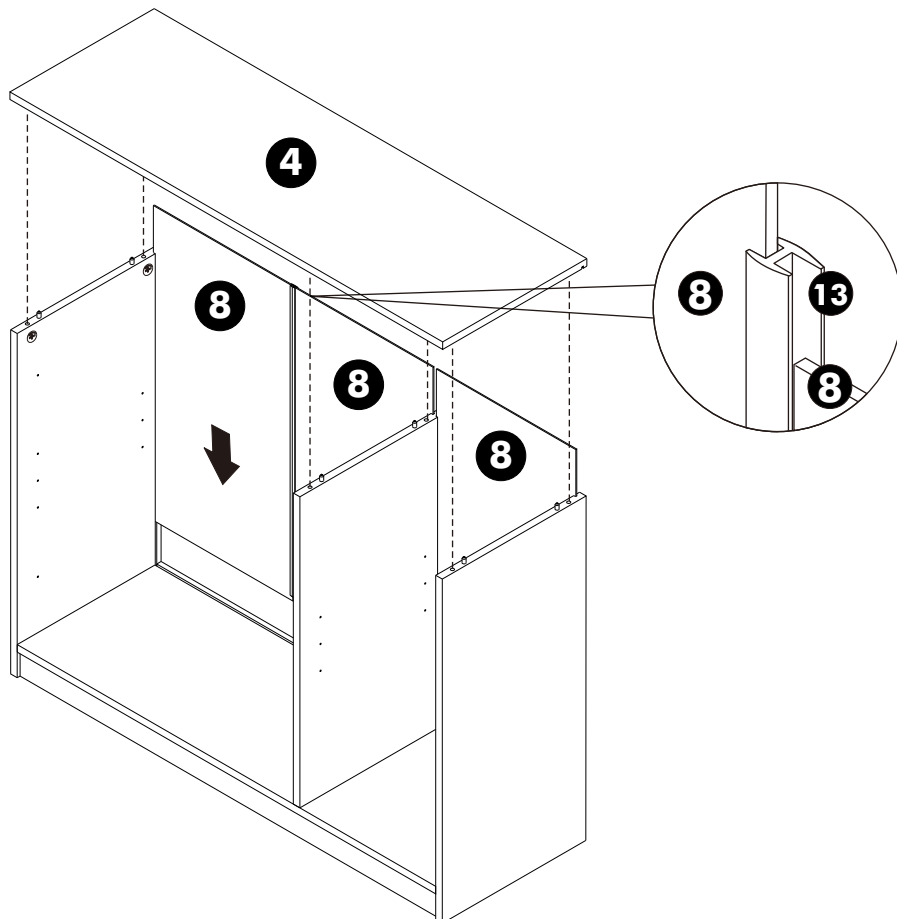
-BODY SET

1.



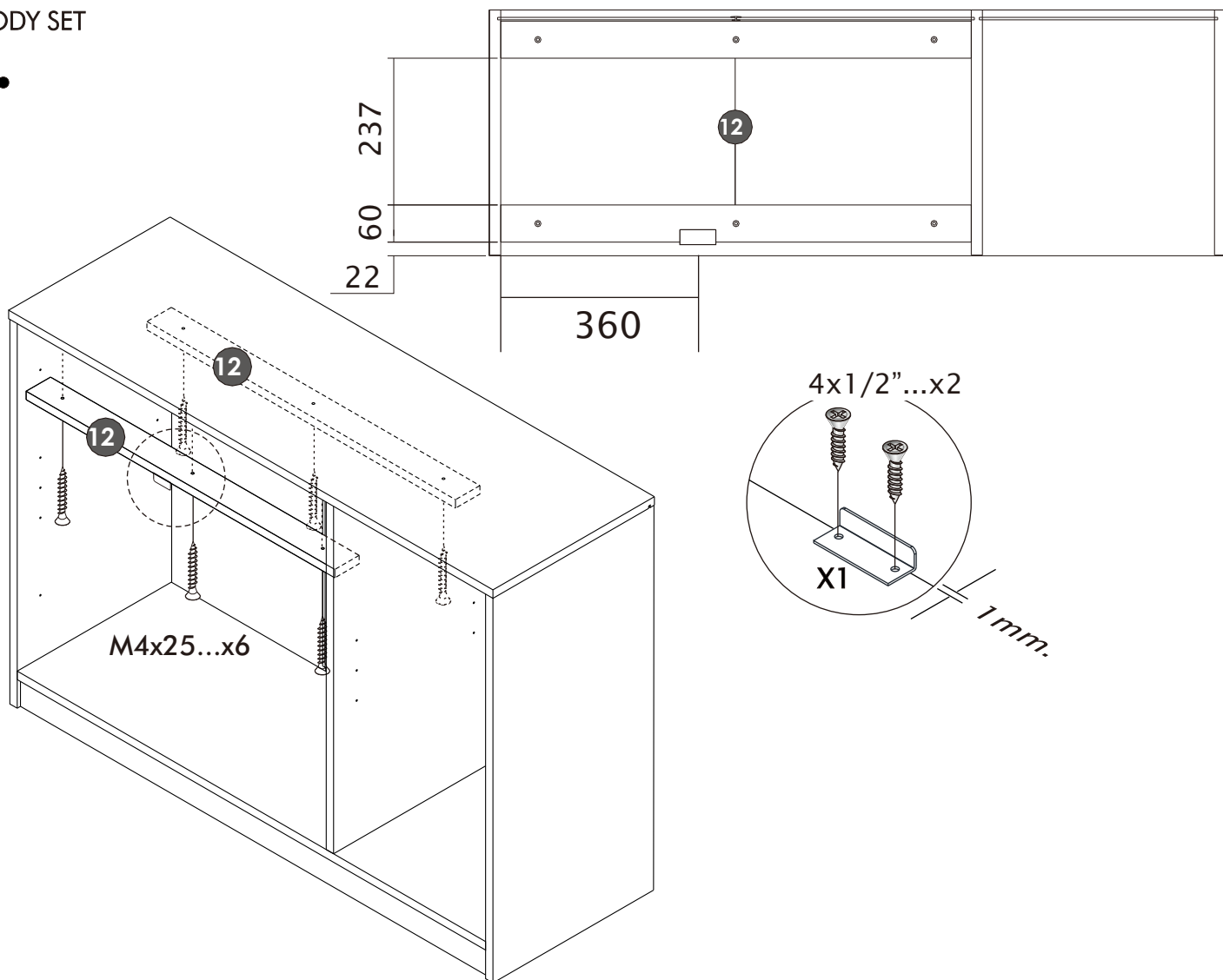
2.

-BODY SET

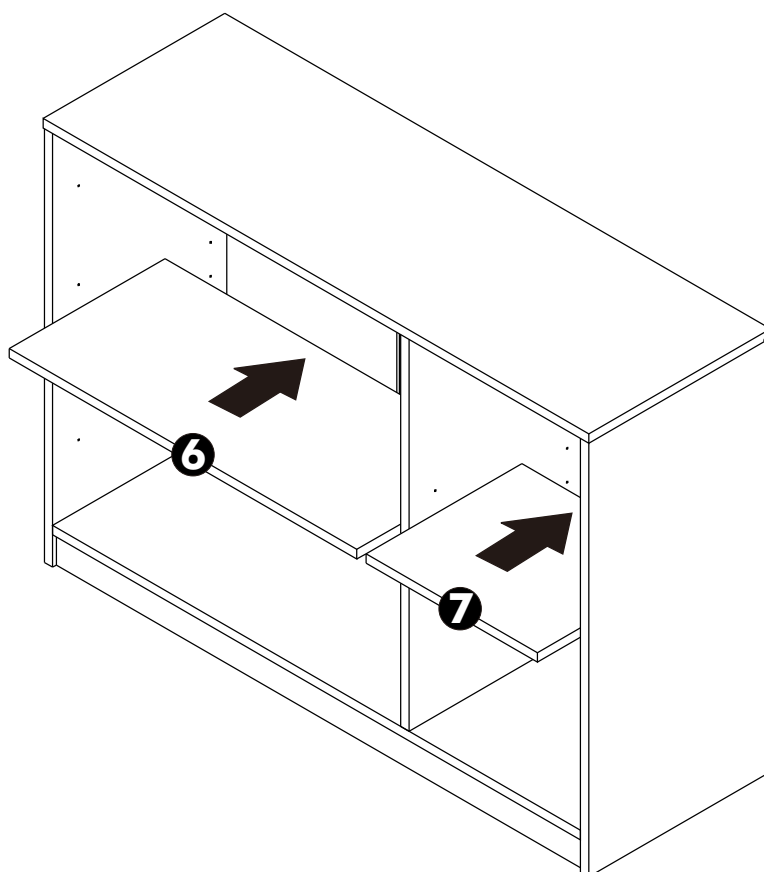
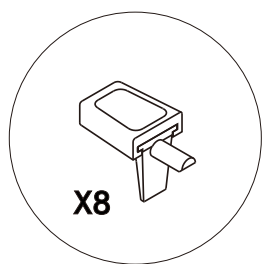


-BODY SET

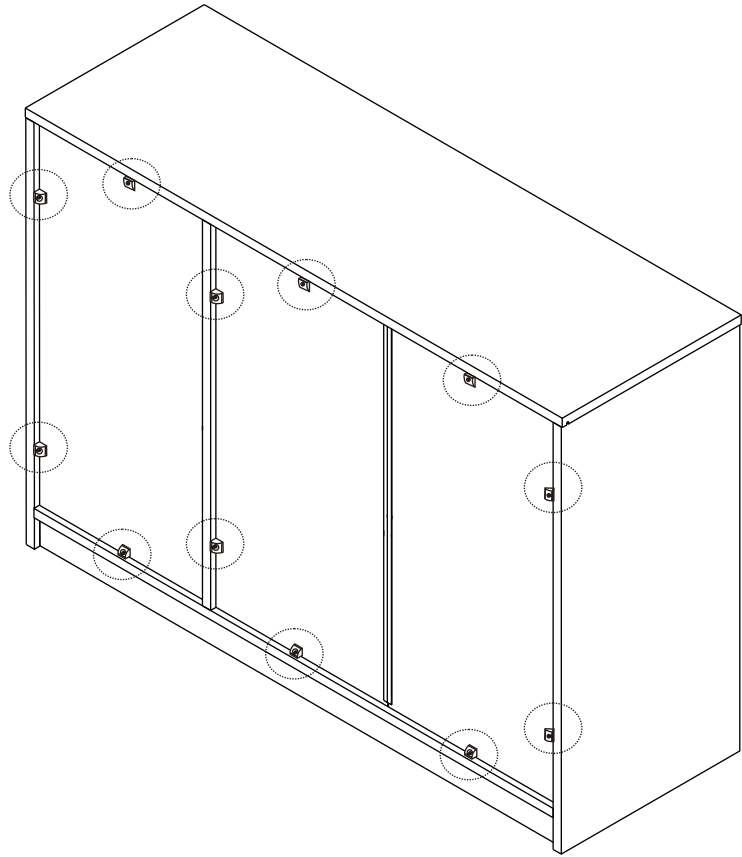
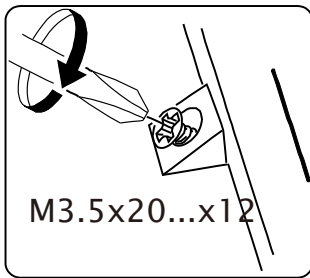
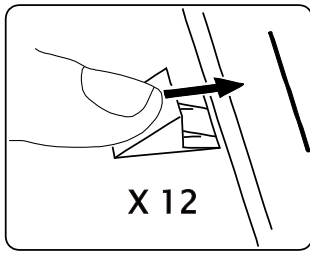
3.



4.



5.



ASSEMBLY

-DOORS SET

1.

