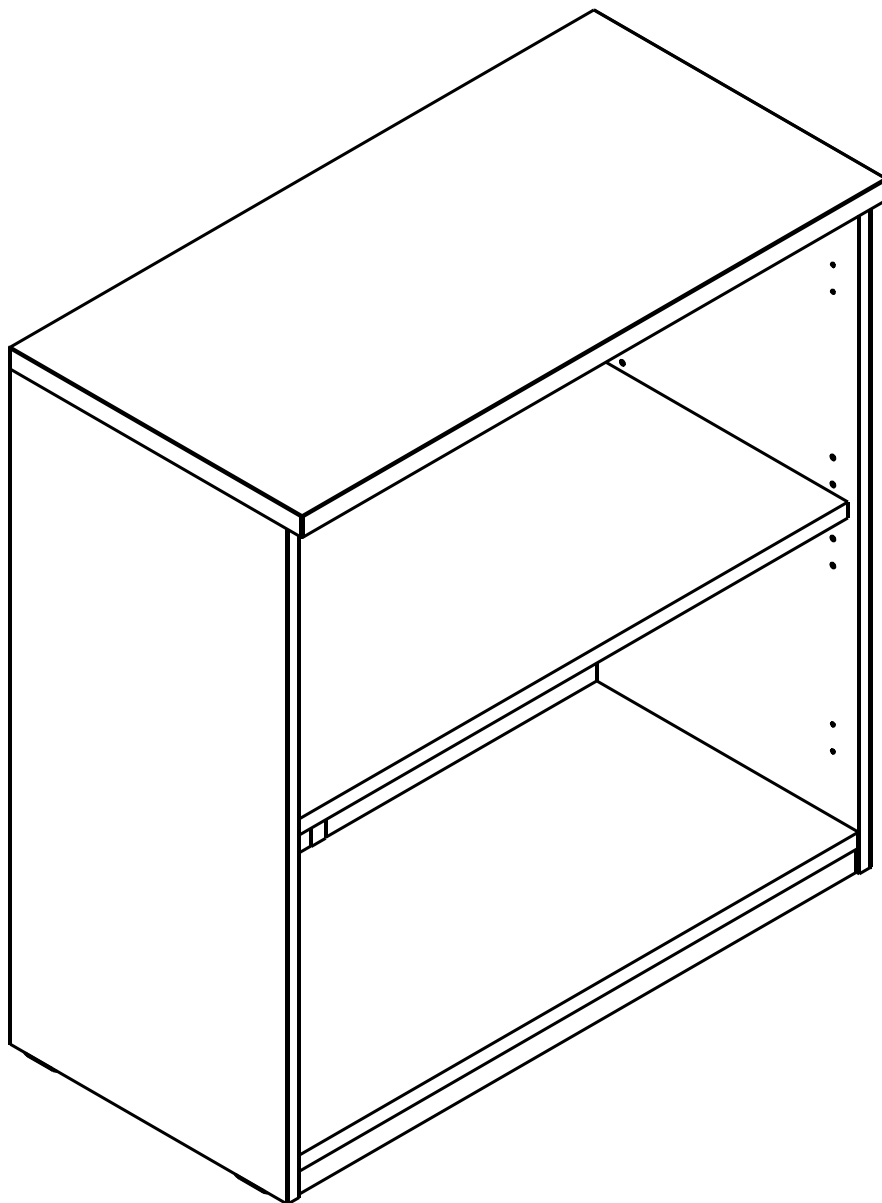
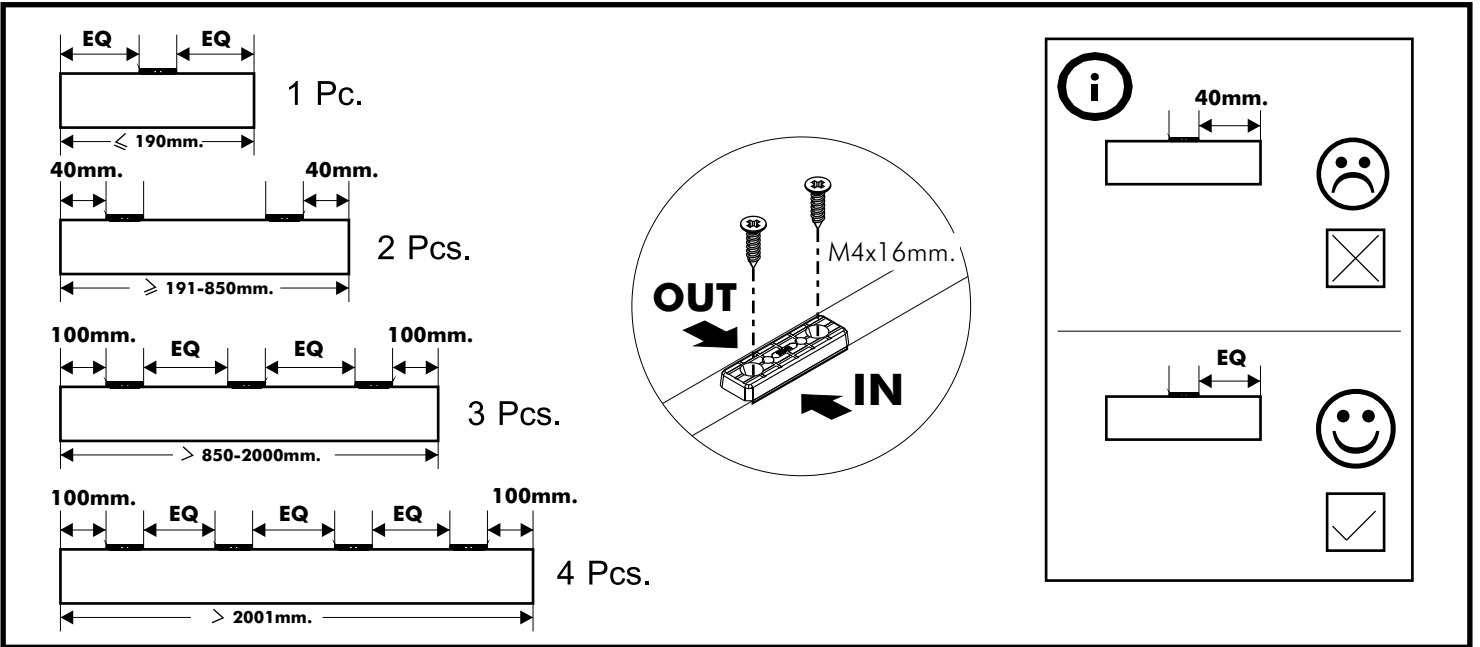


TETRIS-P

Low cabinet

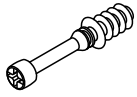


CONNECT SYSTEM



HARDWARE

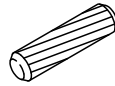
-BODY SET



x 8



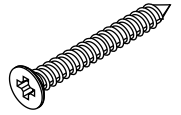
x 8



x 8



x 4



M4x40mm.

x 6



x 4



x 8



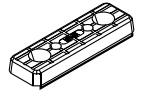
M3.5x20mm.

x 8



M4x16mm.

x 8

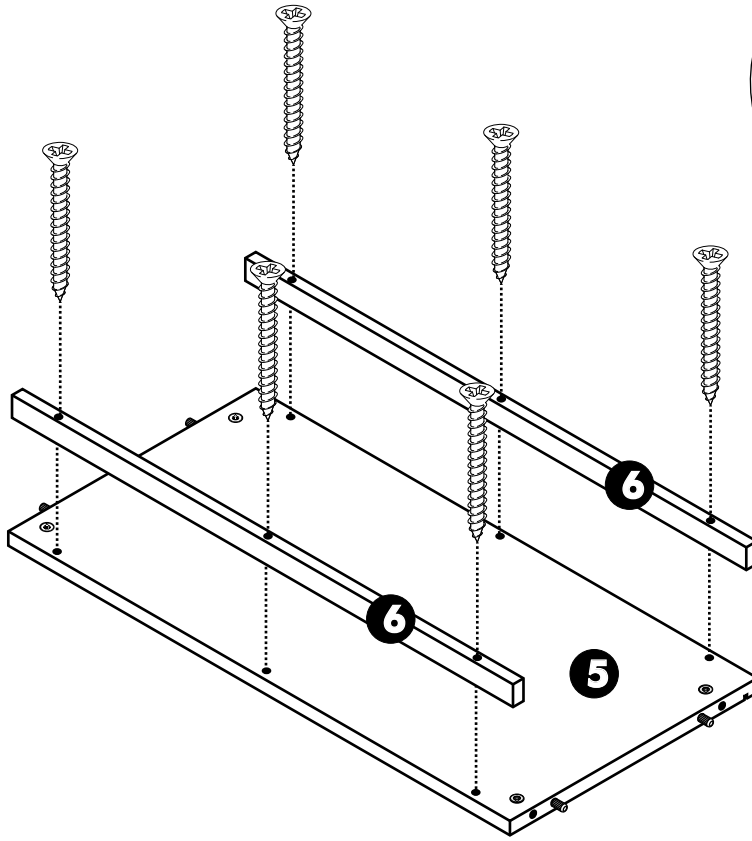


x 4

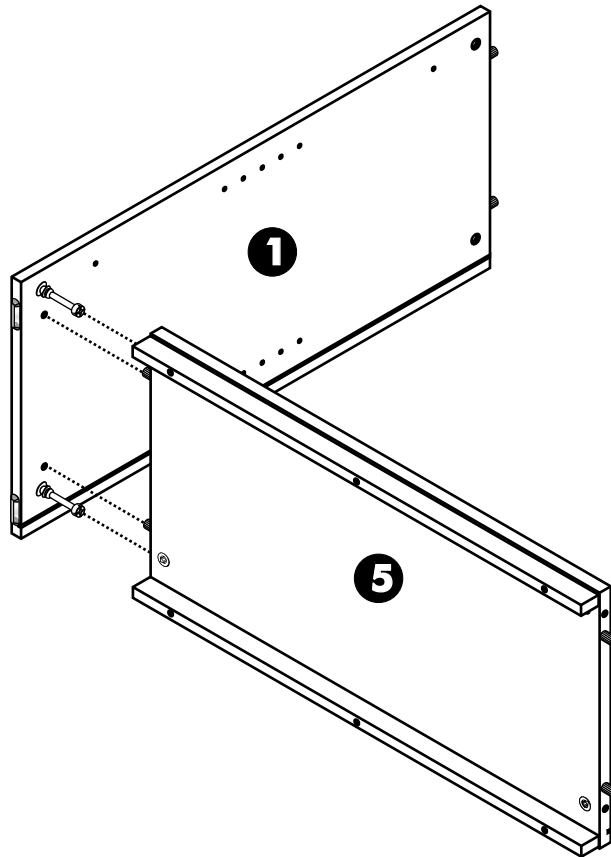
ASSEMBLY

-BODY SET

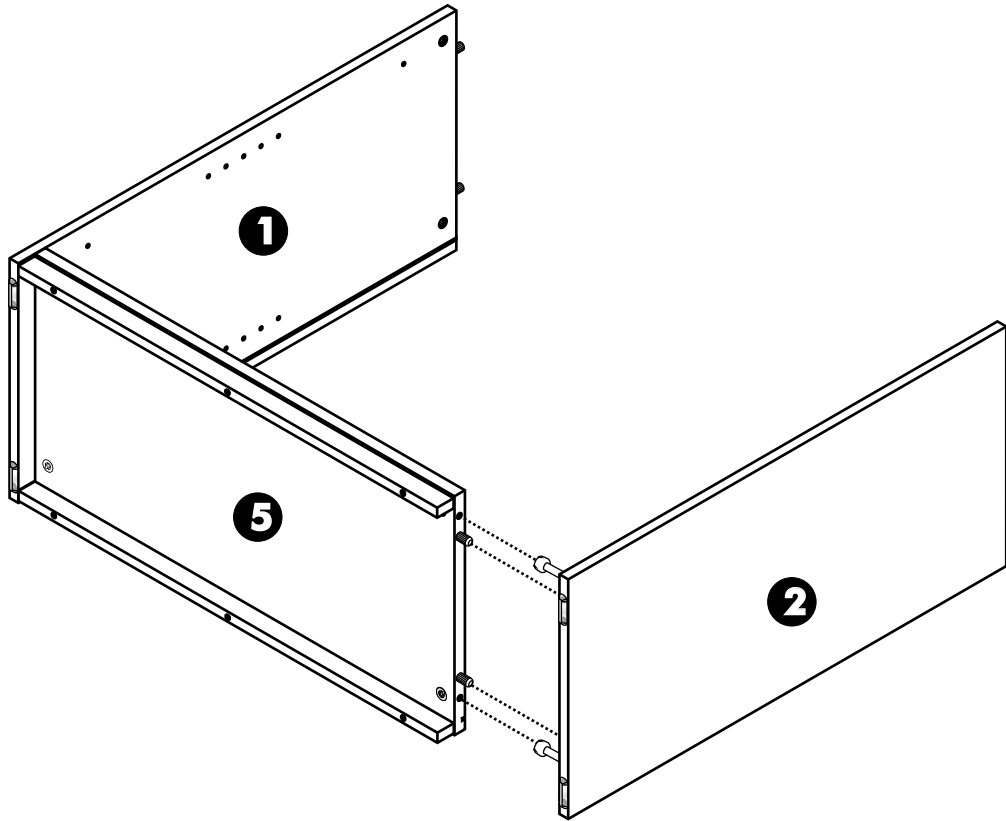
1.



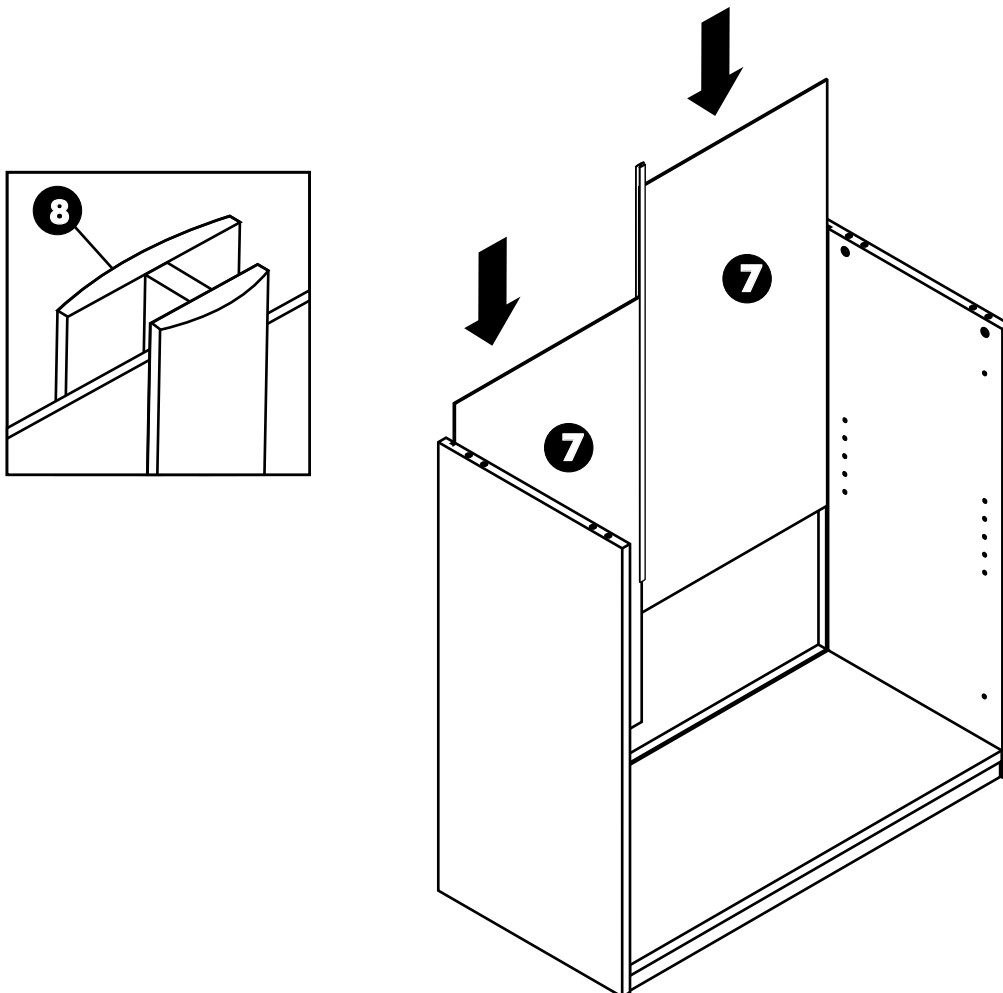
2.



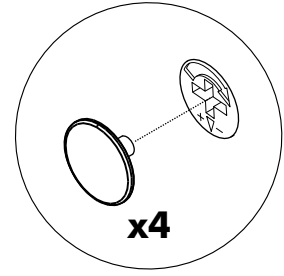
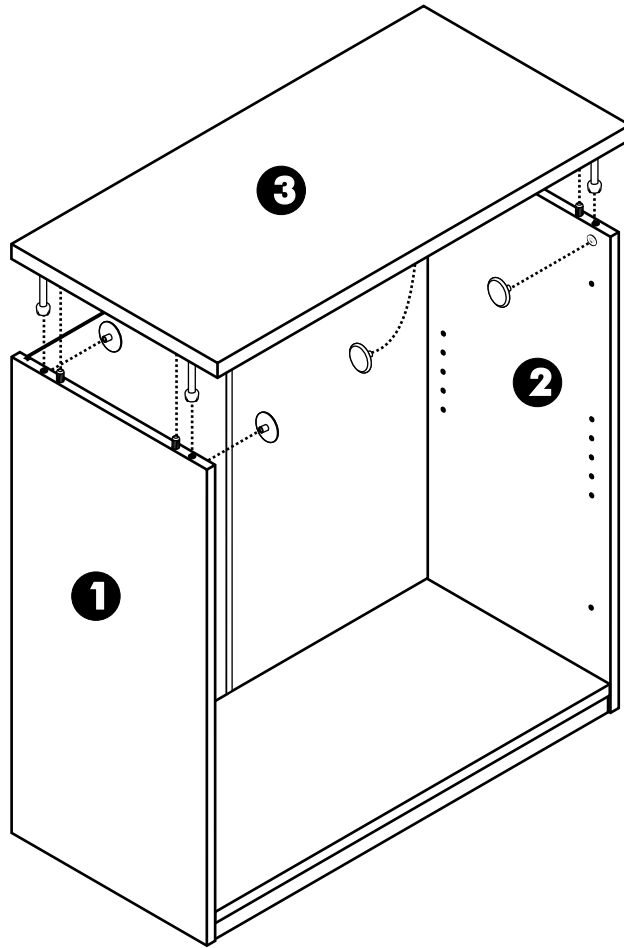
3.



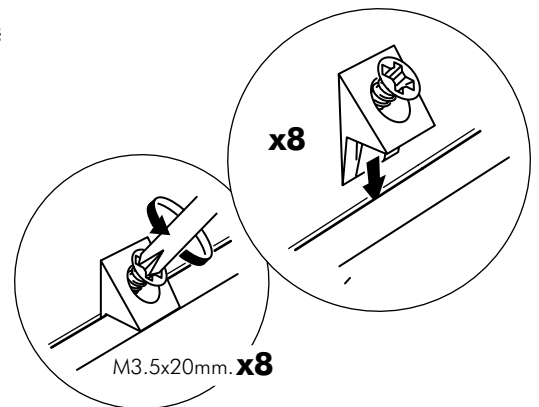
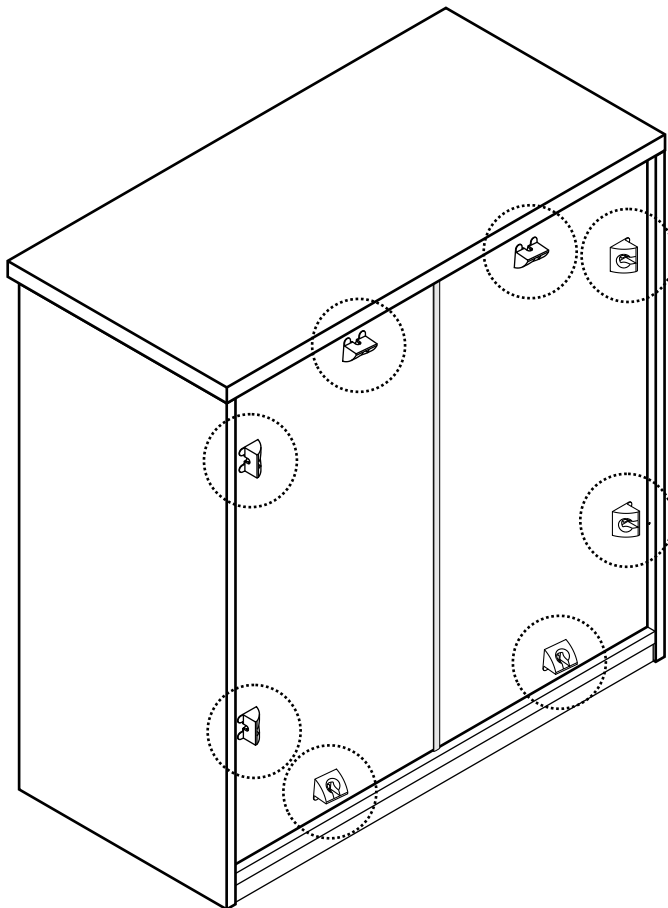
4.



5.



6.



7.

