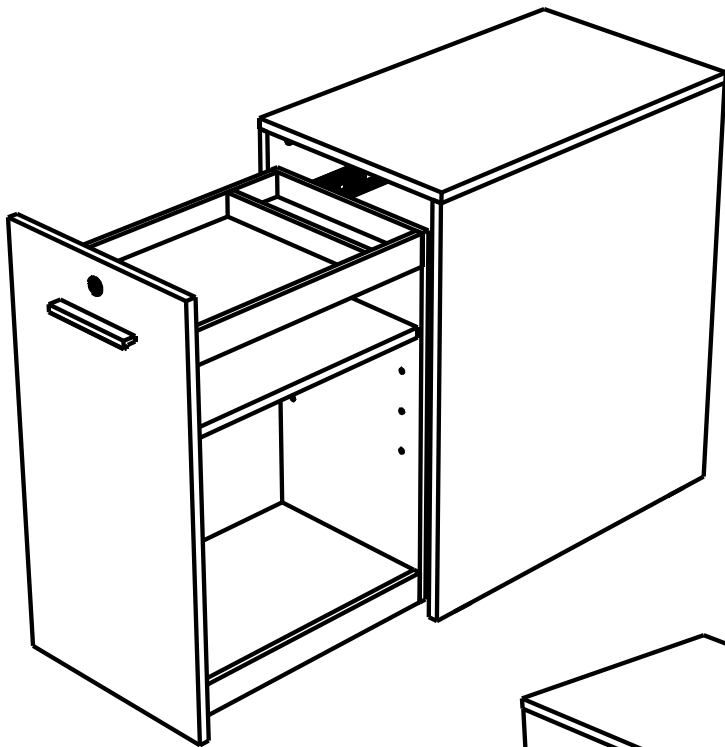
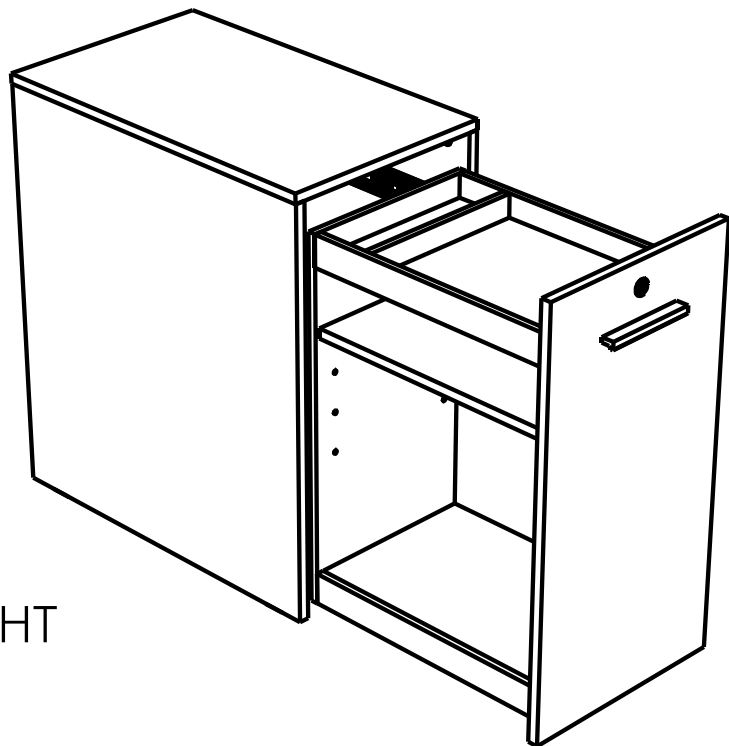


TETRIS-P

Chest of drawer

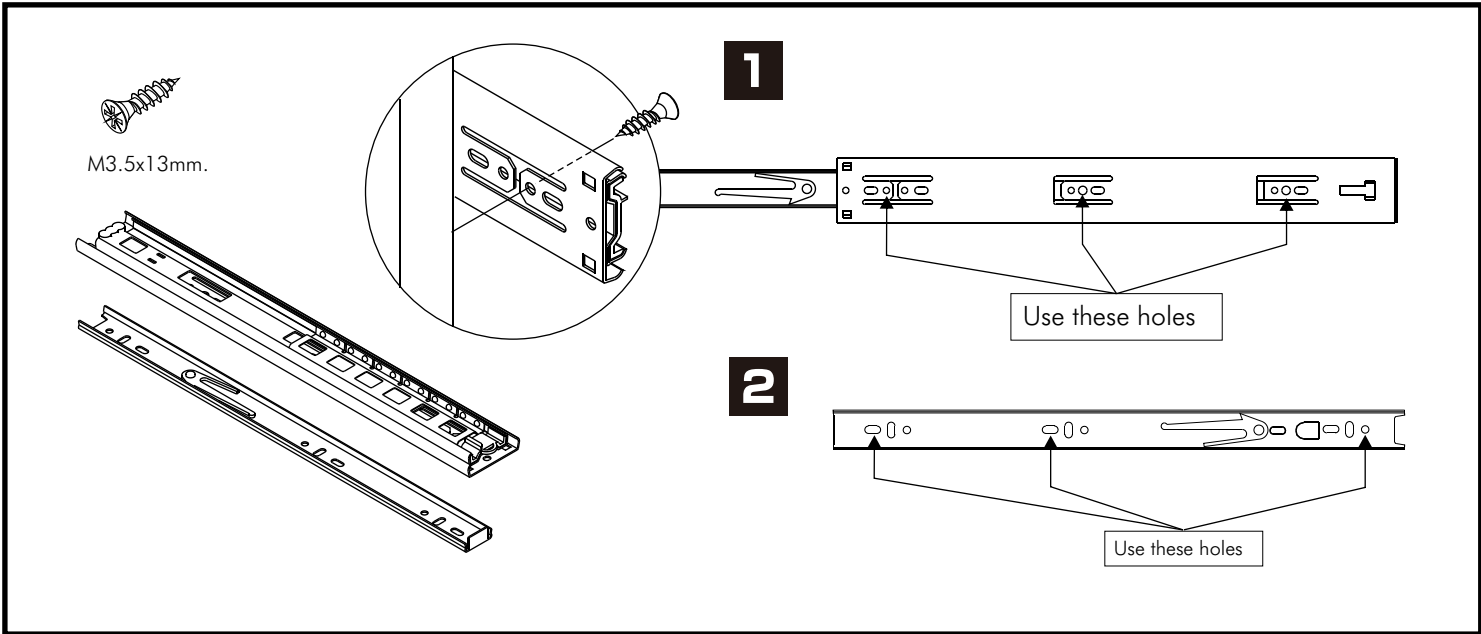


TYPE:LEFT



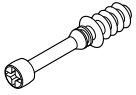
TYPE:RIGHT

CONNECT SYSTEM



HARDWARE

-BODY SET



x 22



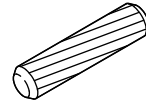
#19 mm.

x 14



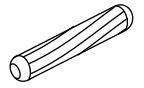
#12 mm.

x 8



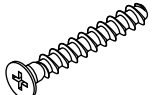
8x35mm.

x 20



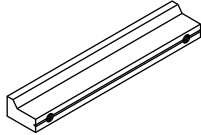
6x35mm.

x 14



#M5.5x38

x 2

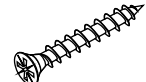


x 1



#M4x22mm.

x 2



#M4x20mm.

x 6



#M4x30mm.

x 17

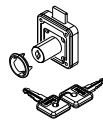


x 4

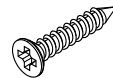


#M3.5x16mm.

x 4

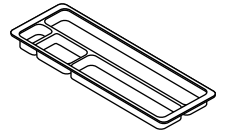


x 1

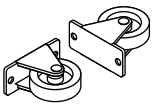


M3.5x20mm.

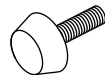
x 4



x 1

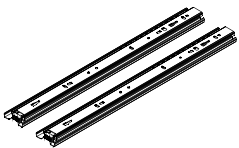


x 2



x 4

-DRAWER SET



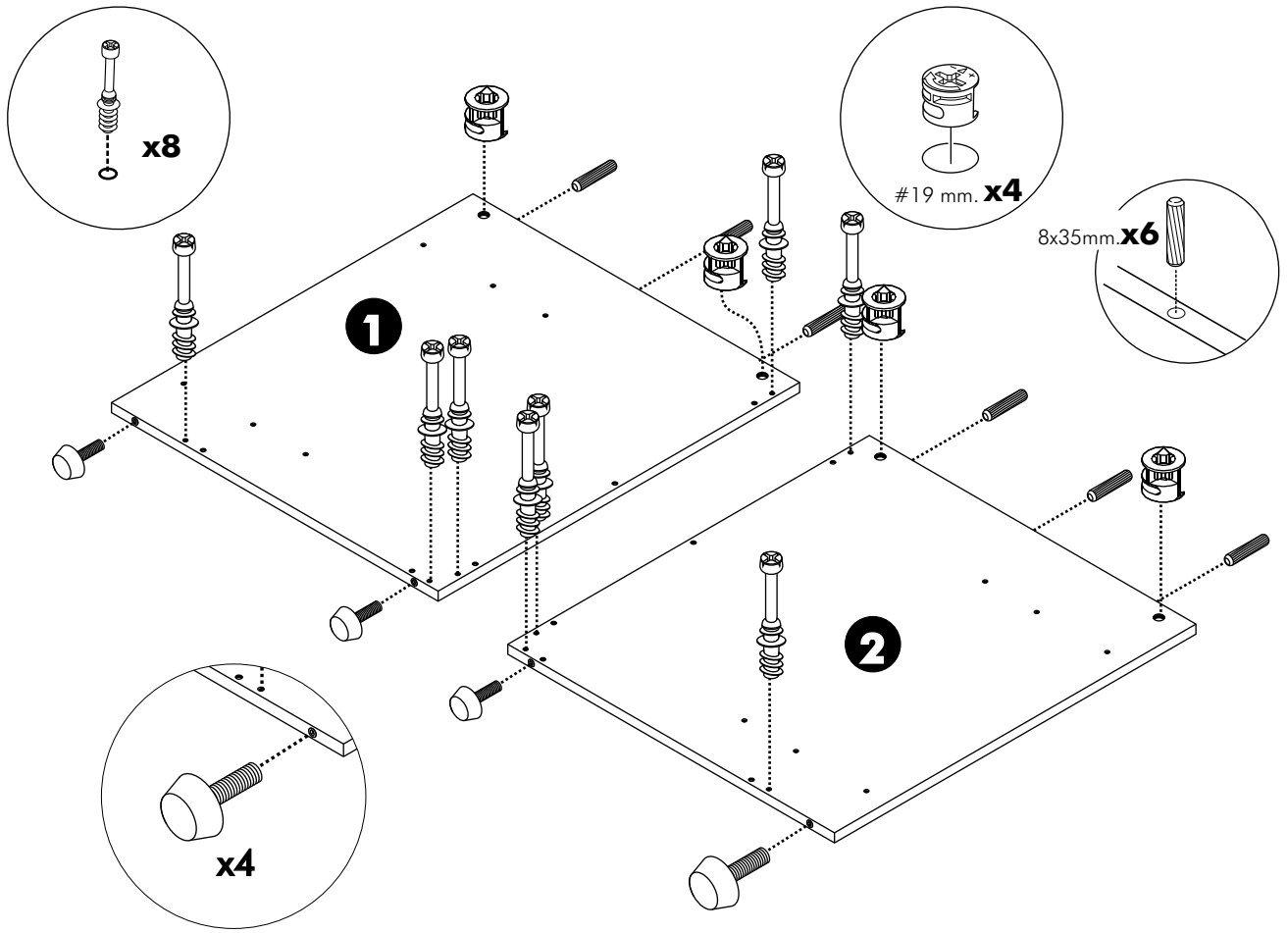
x 1



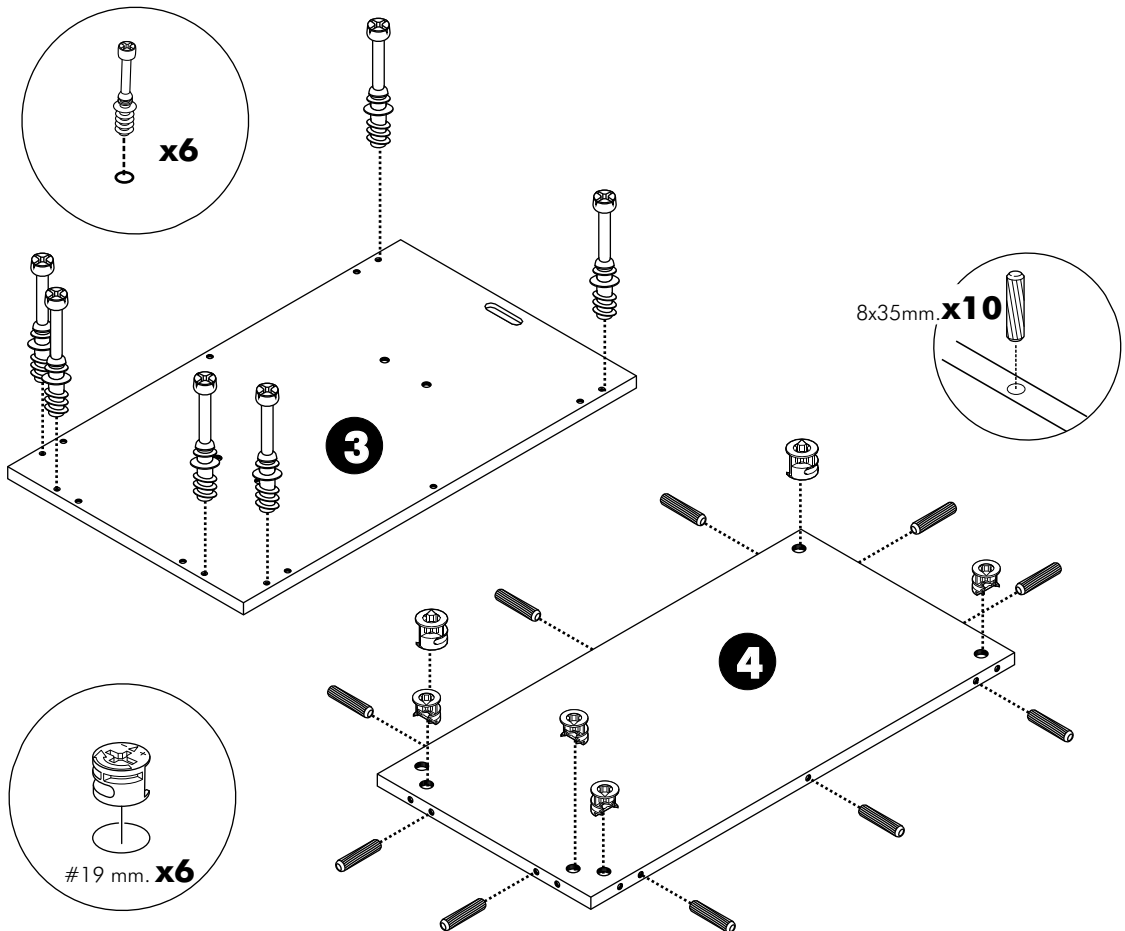
M3.5x13mm.

x 12

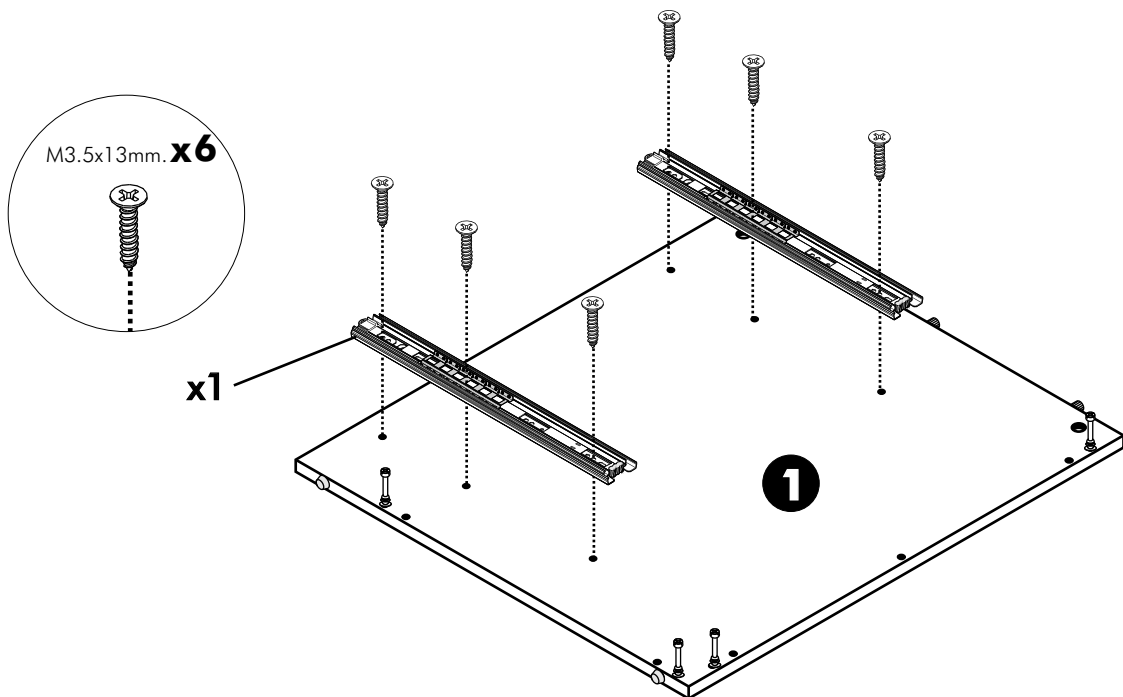
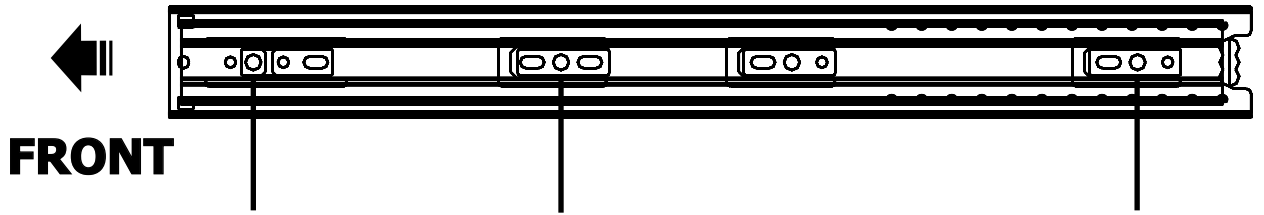
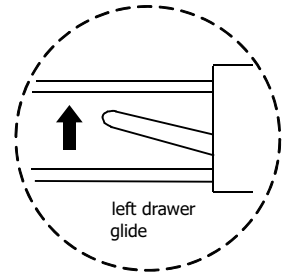
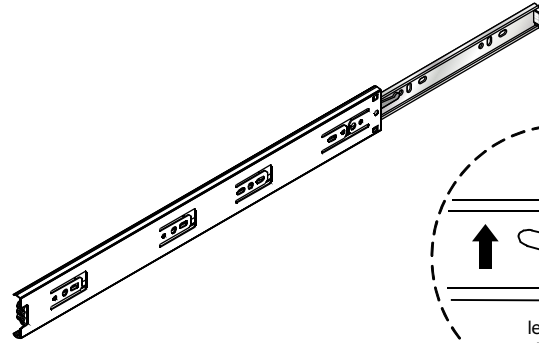
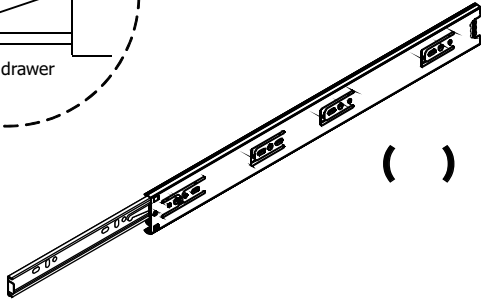
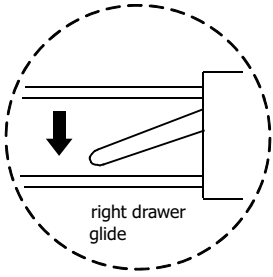
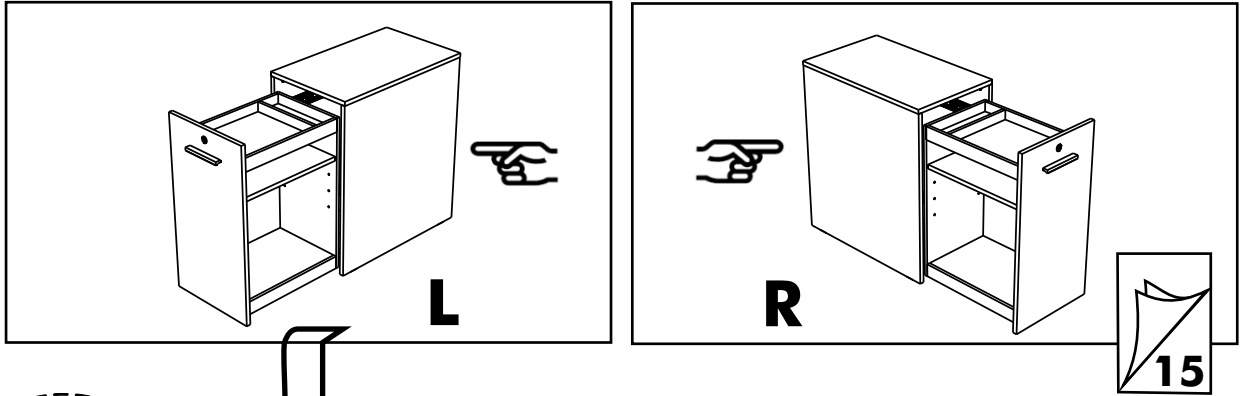
1.



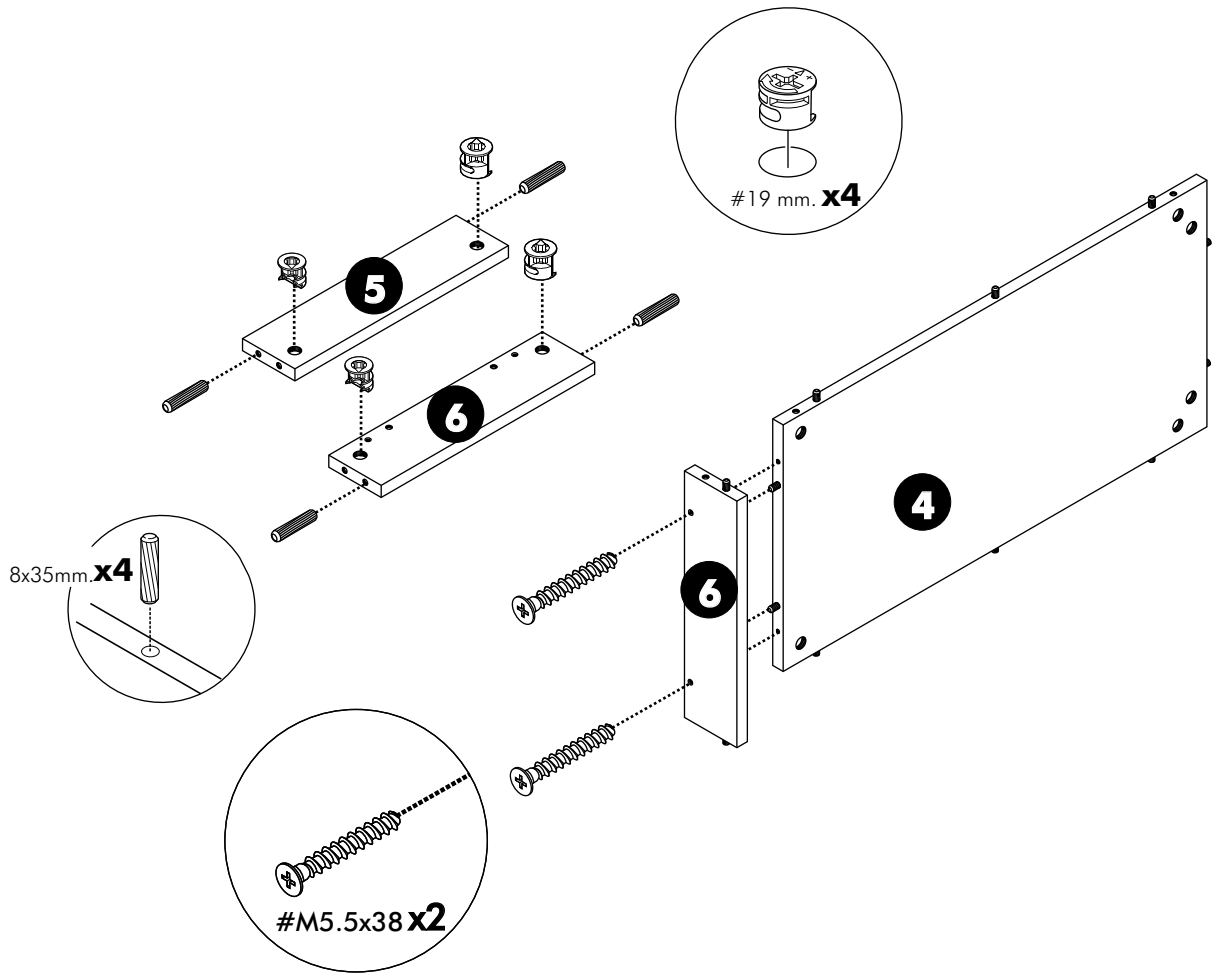
2.



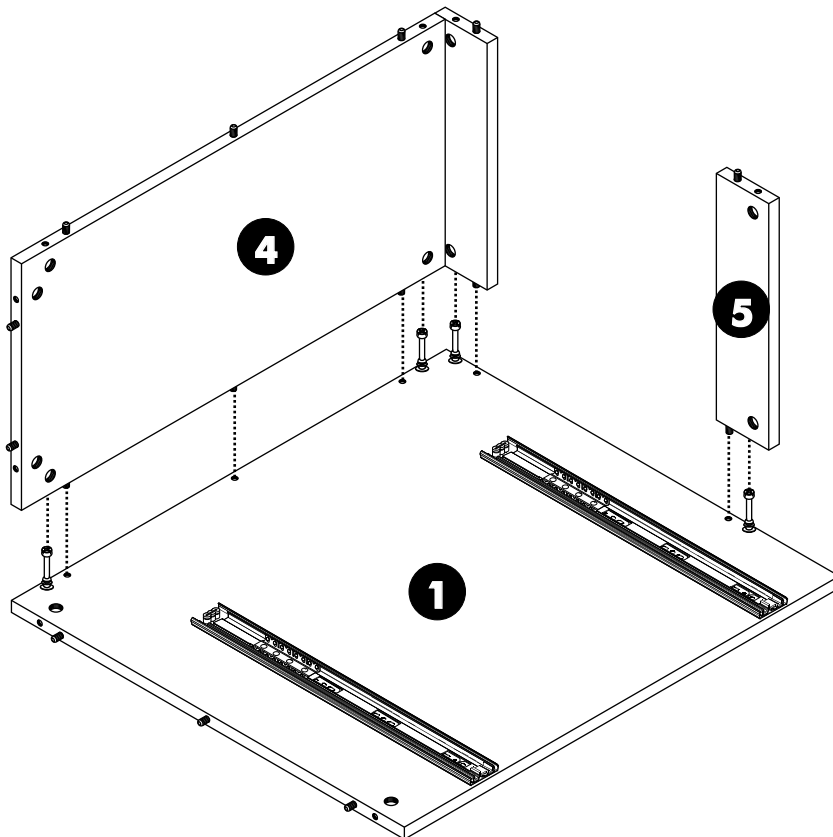
3.



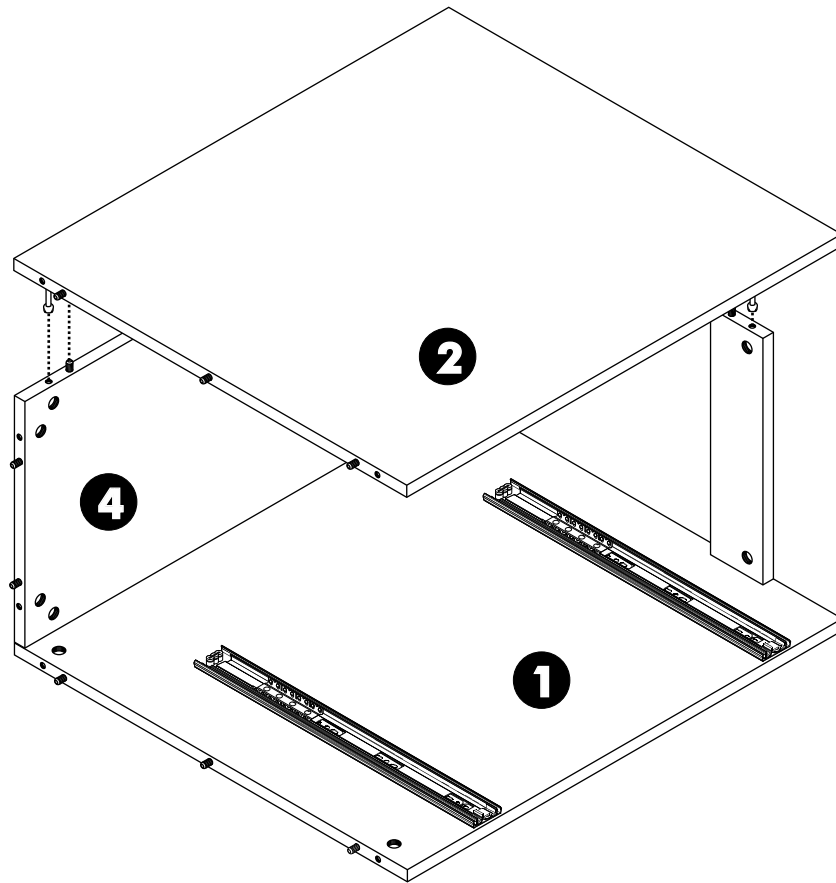
4.



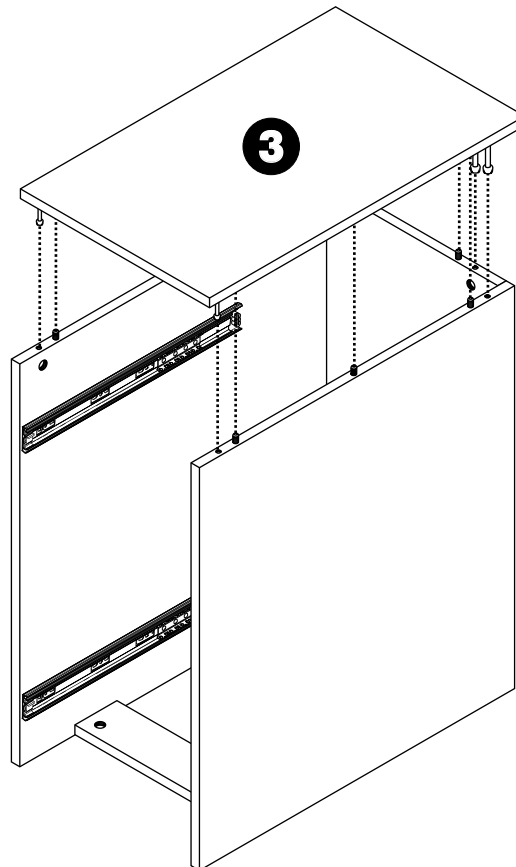
5.



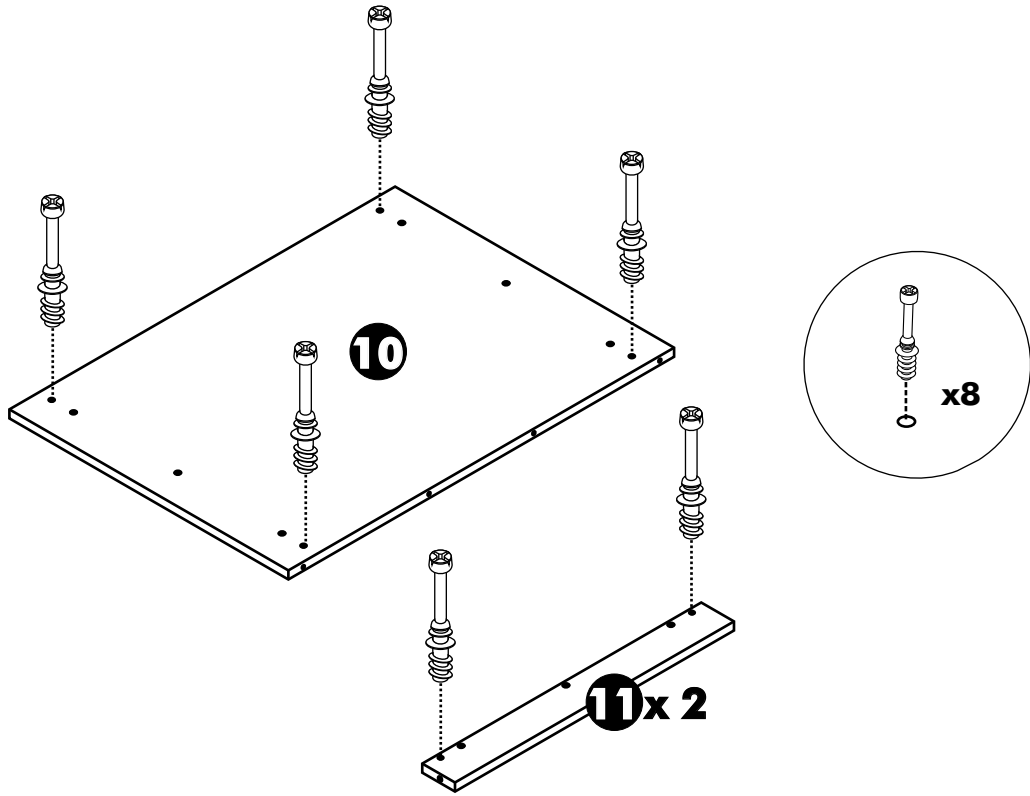
6.



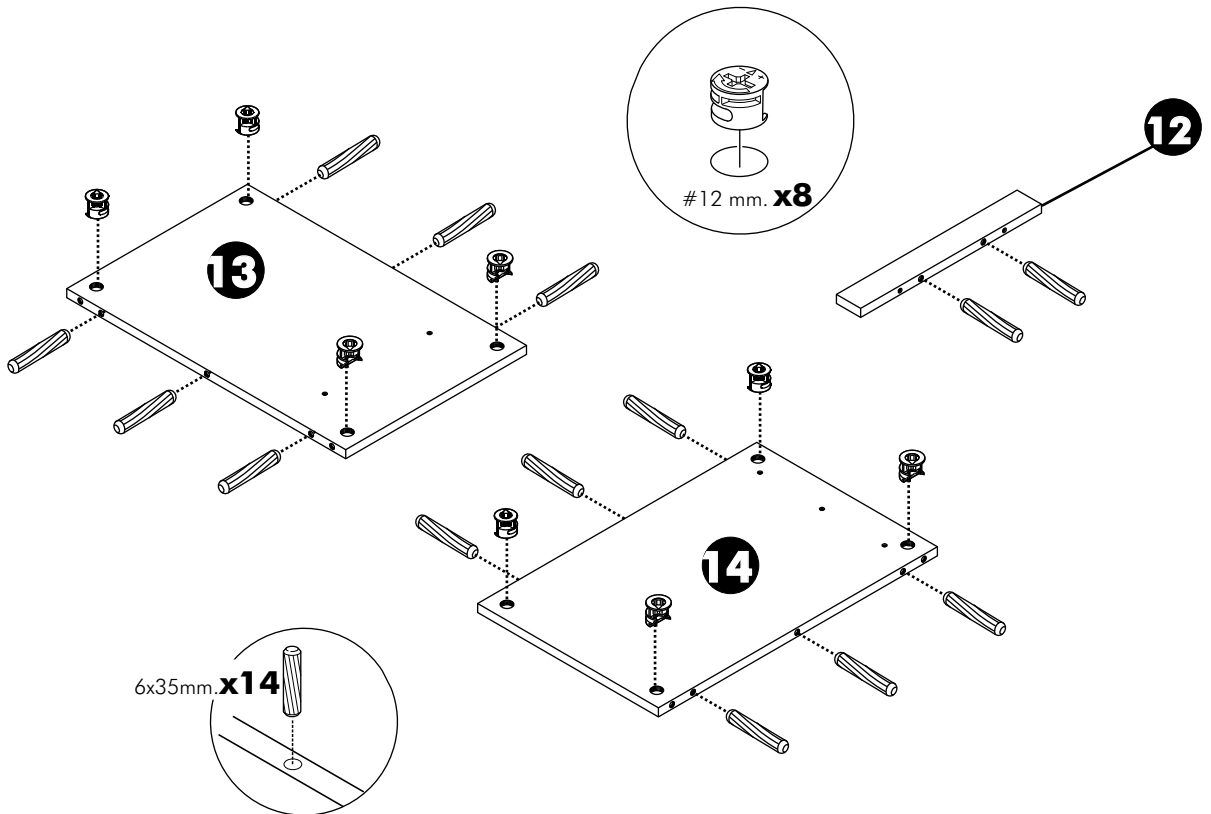
7.



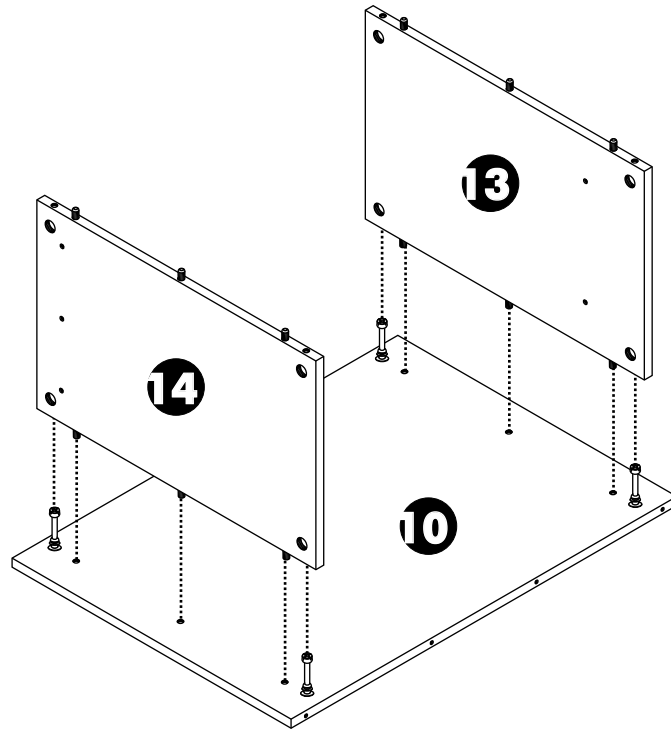
8.



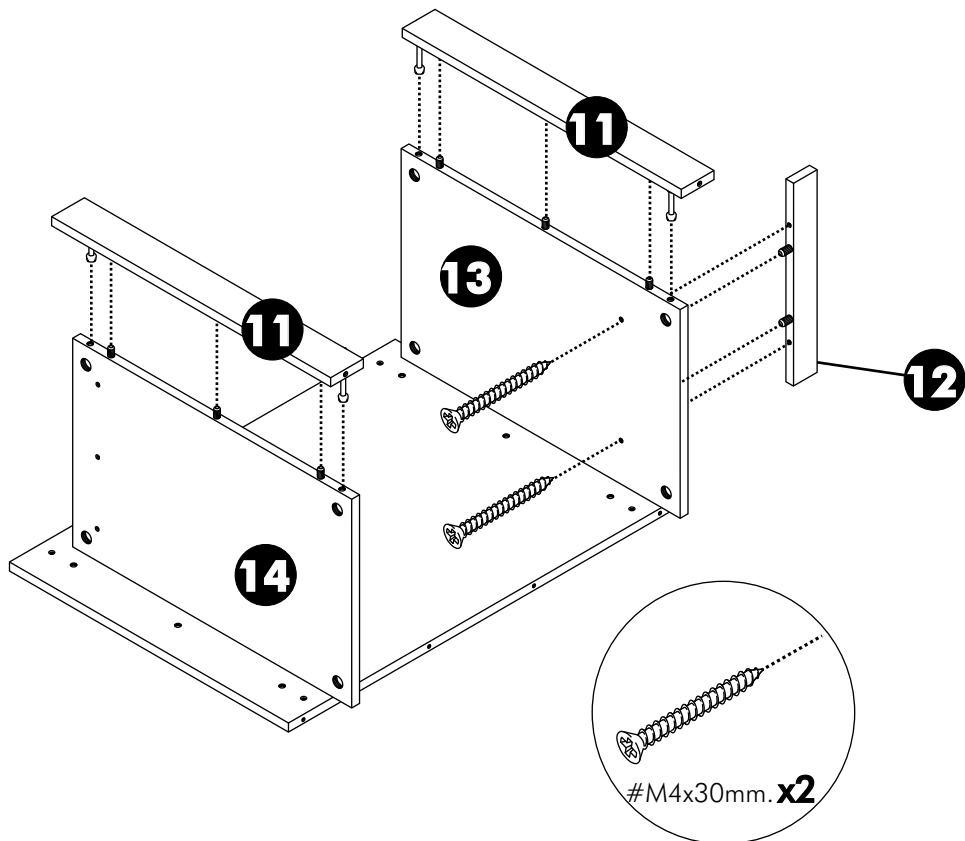
9.



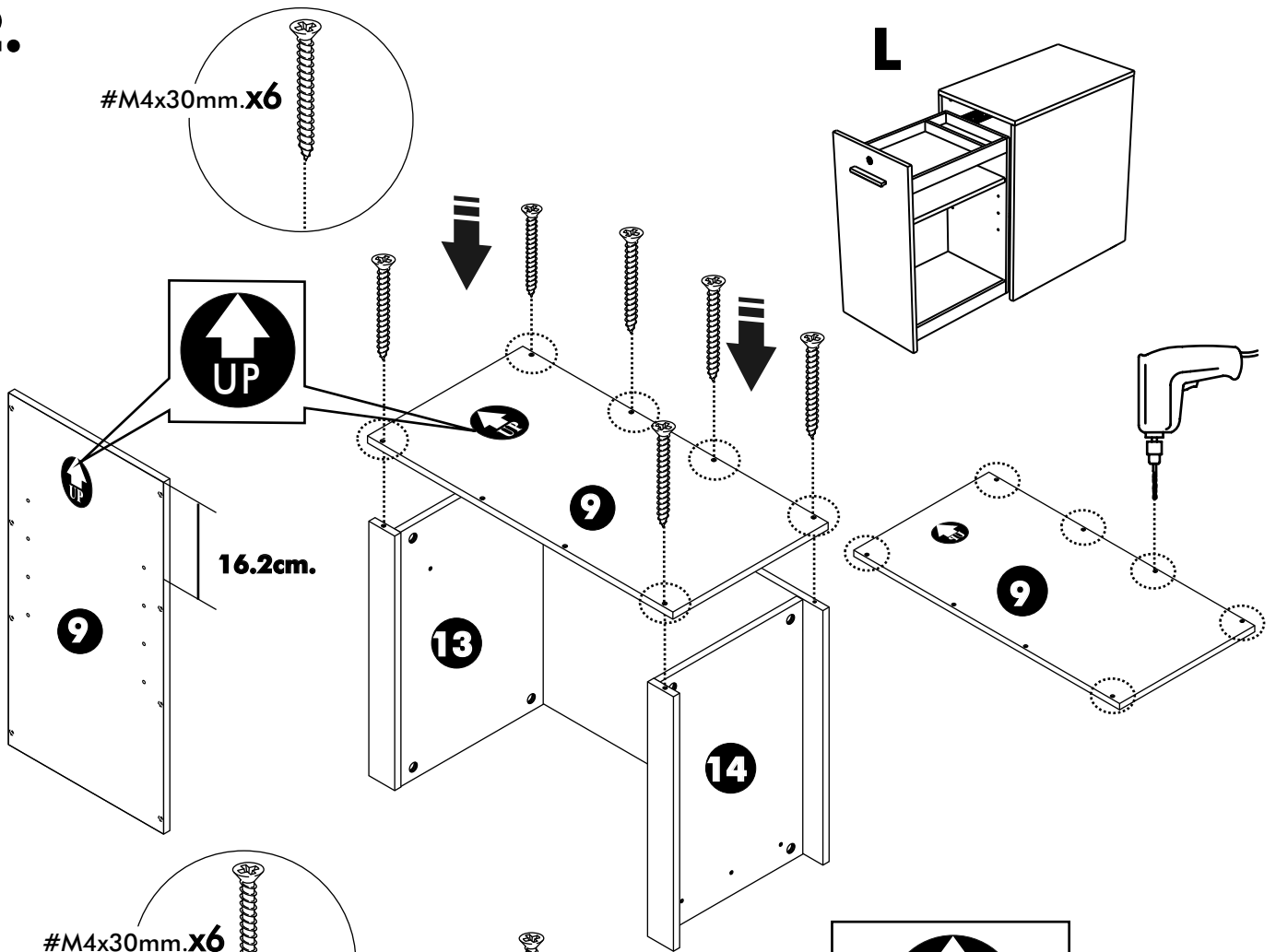
10.



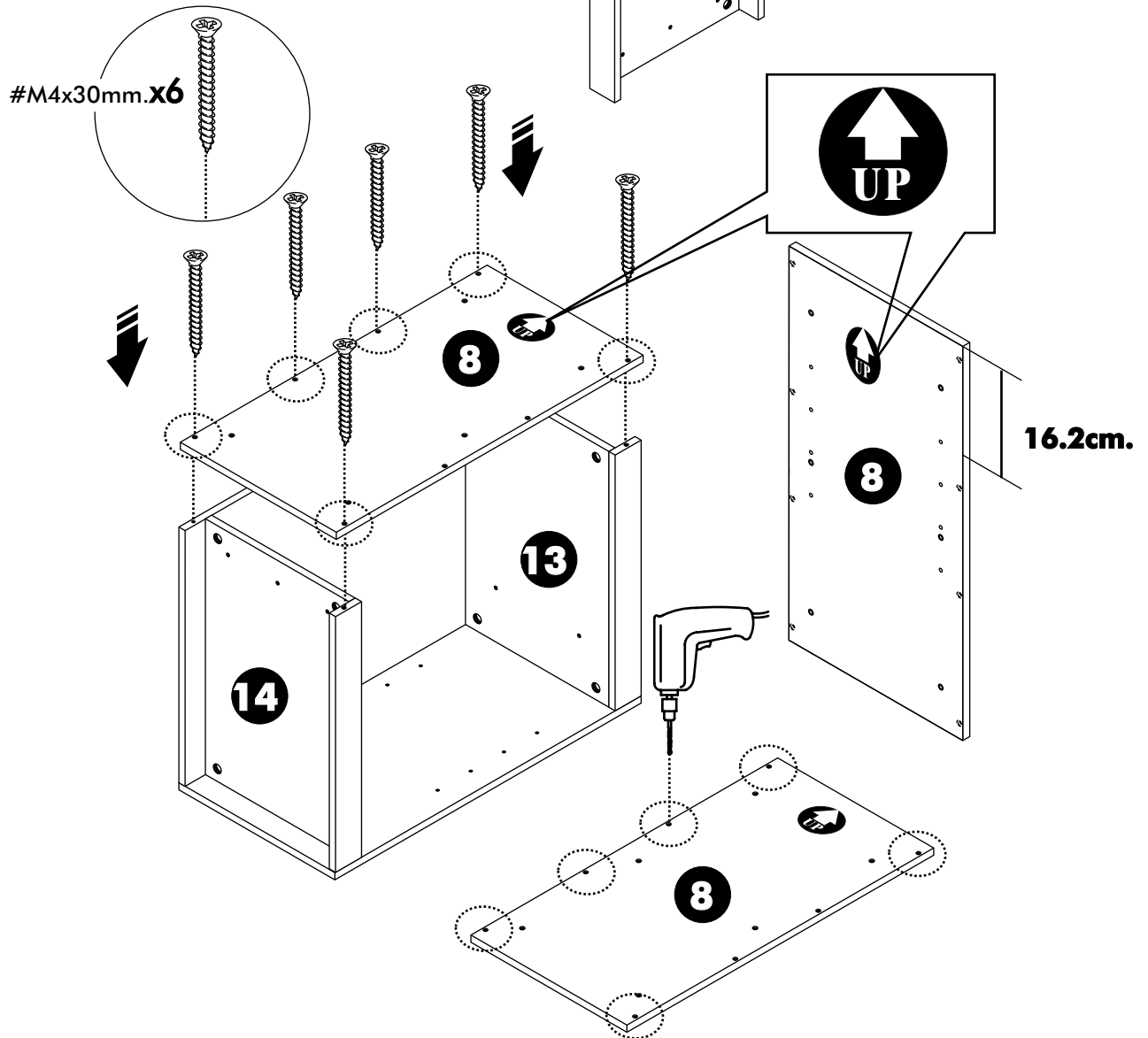
11.



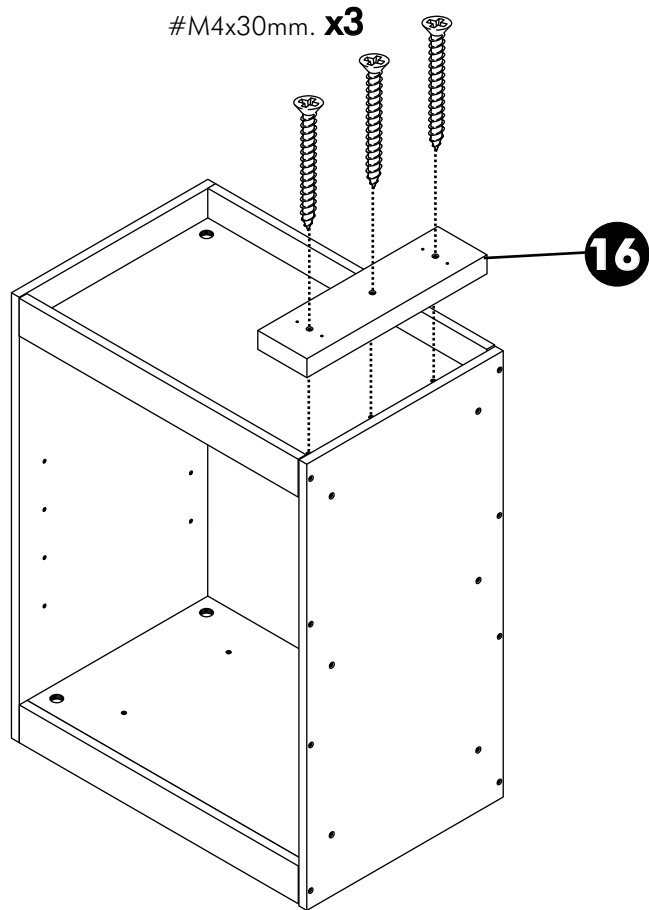
12.



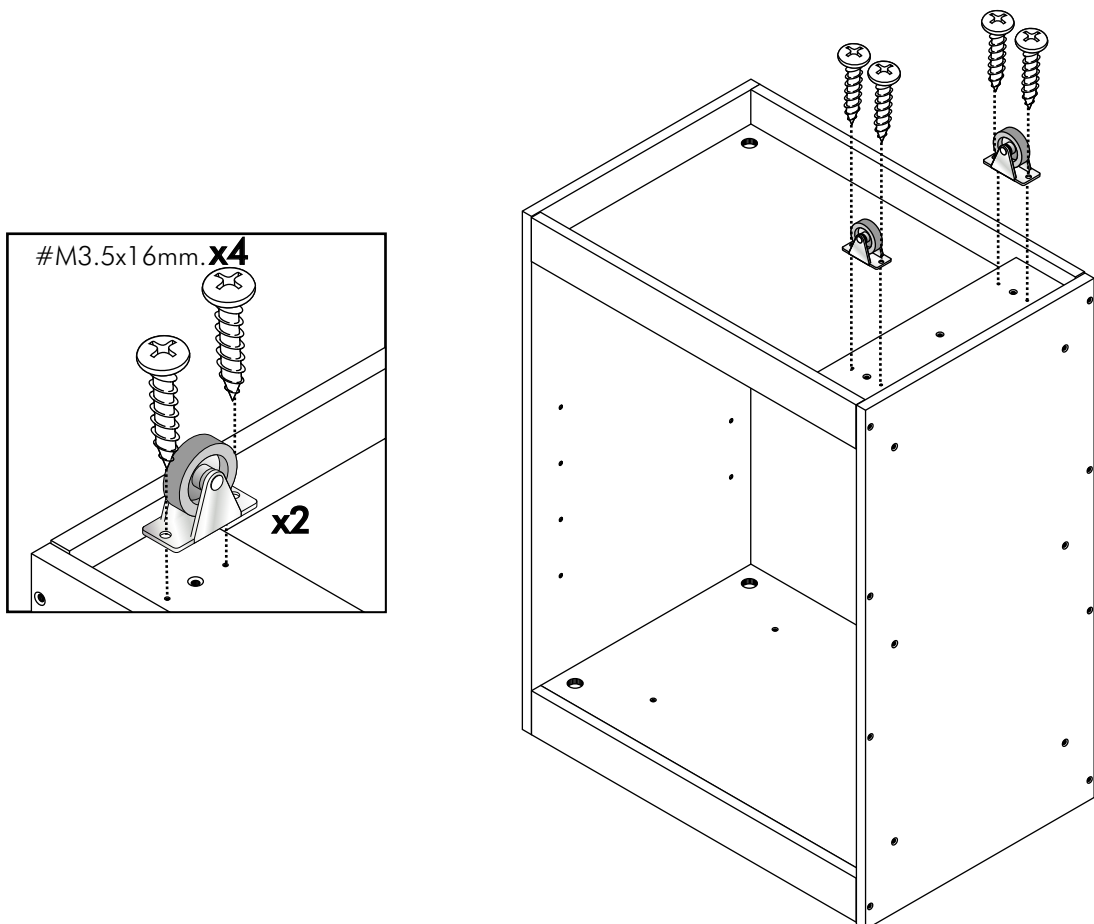
13.



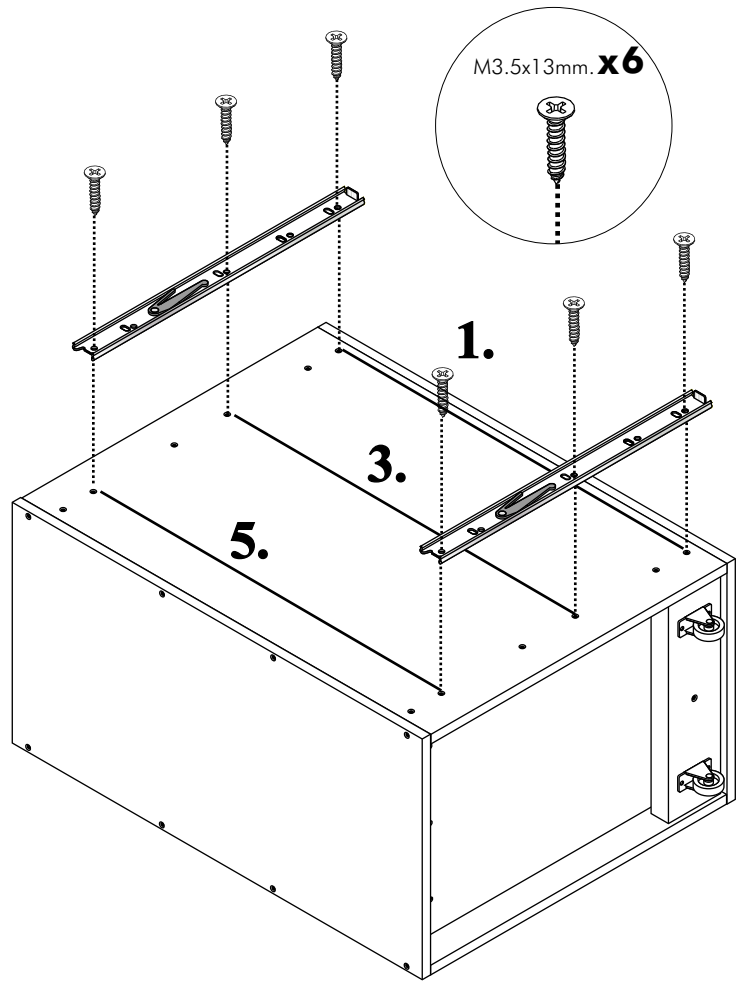
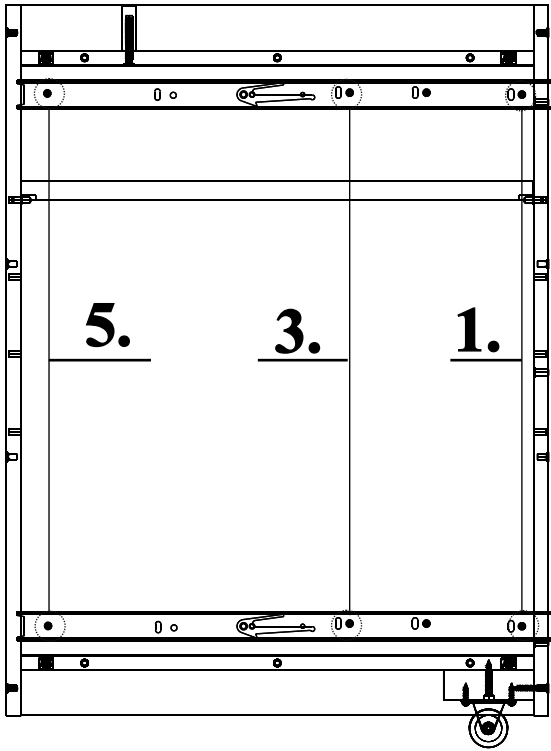
14.



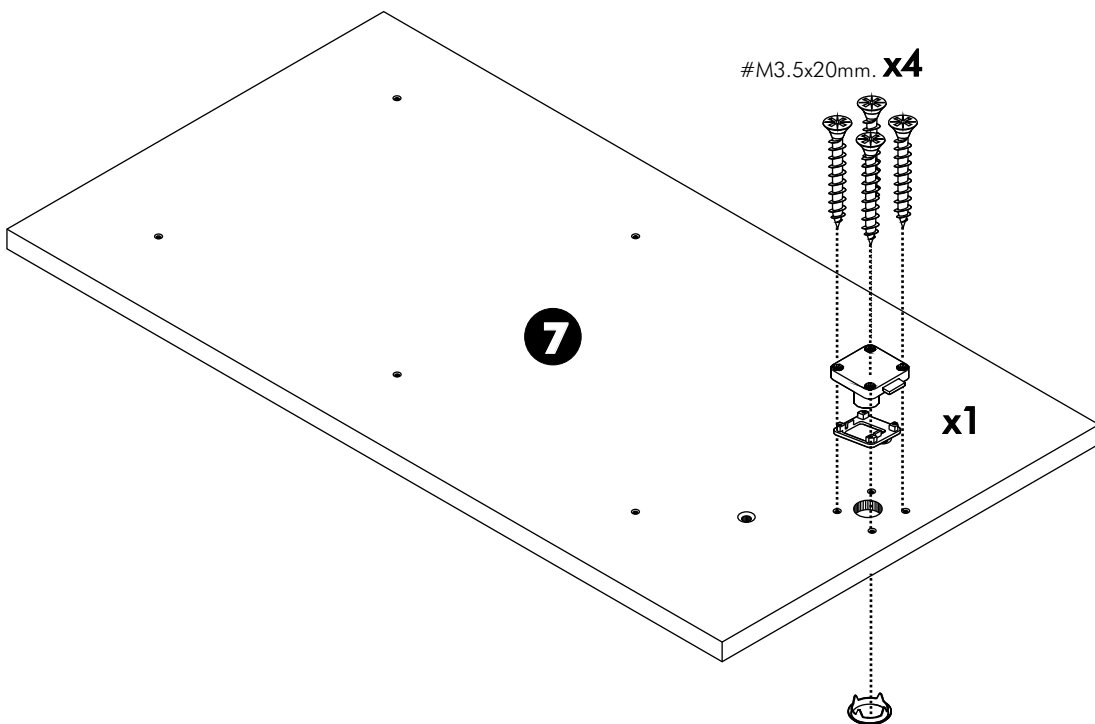
15.



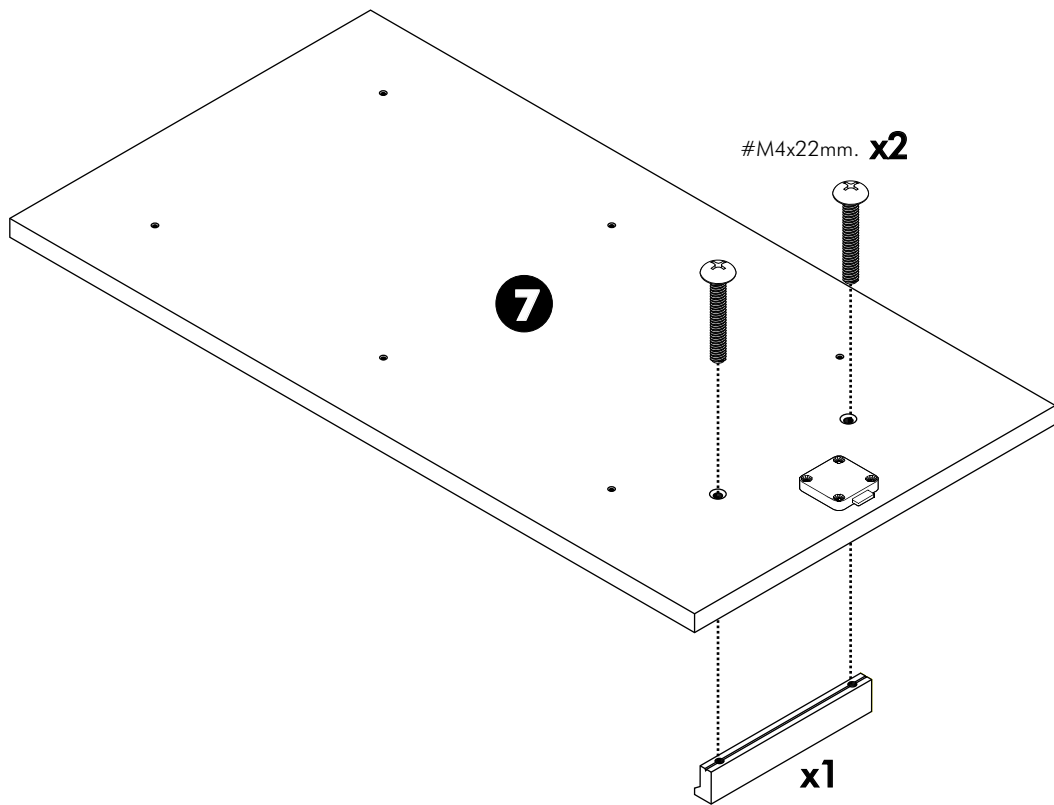
16.



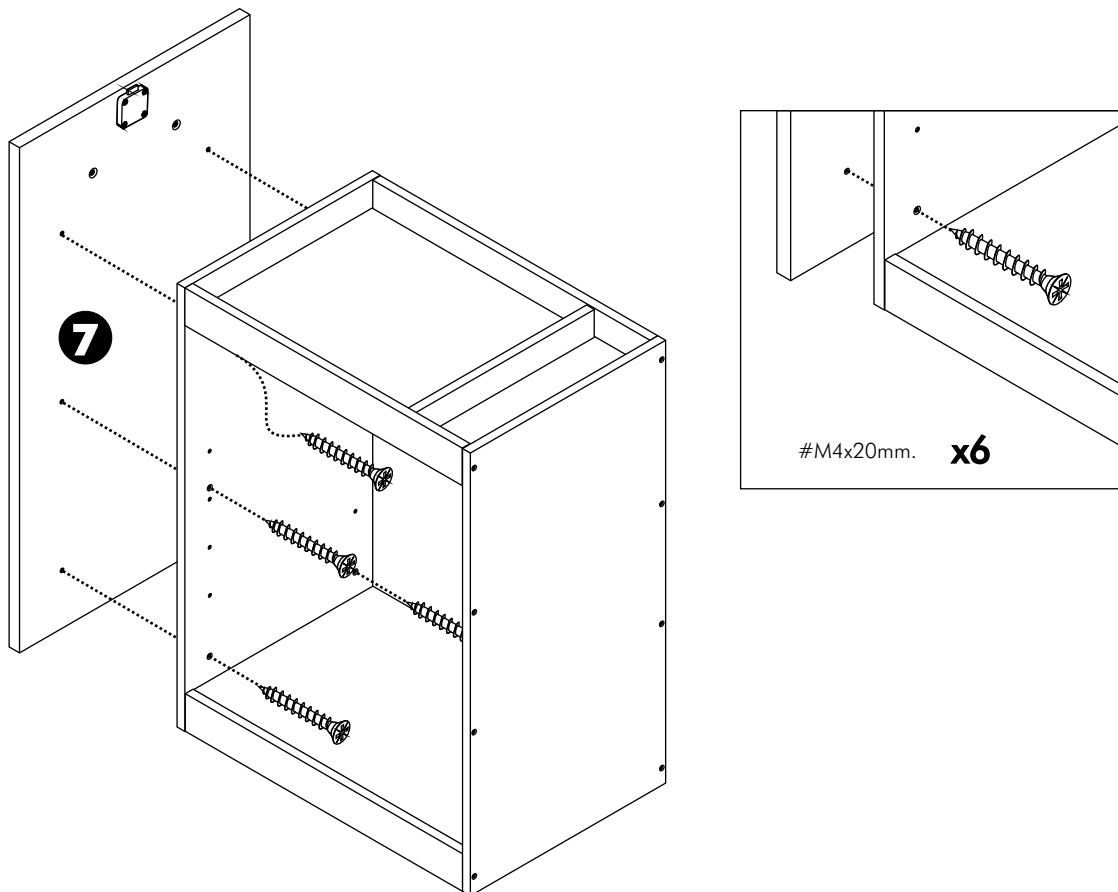
17.



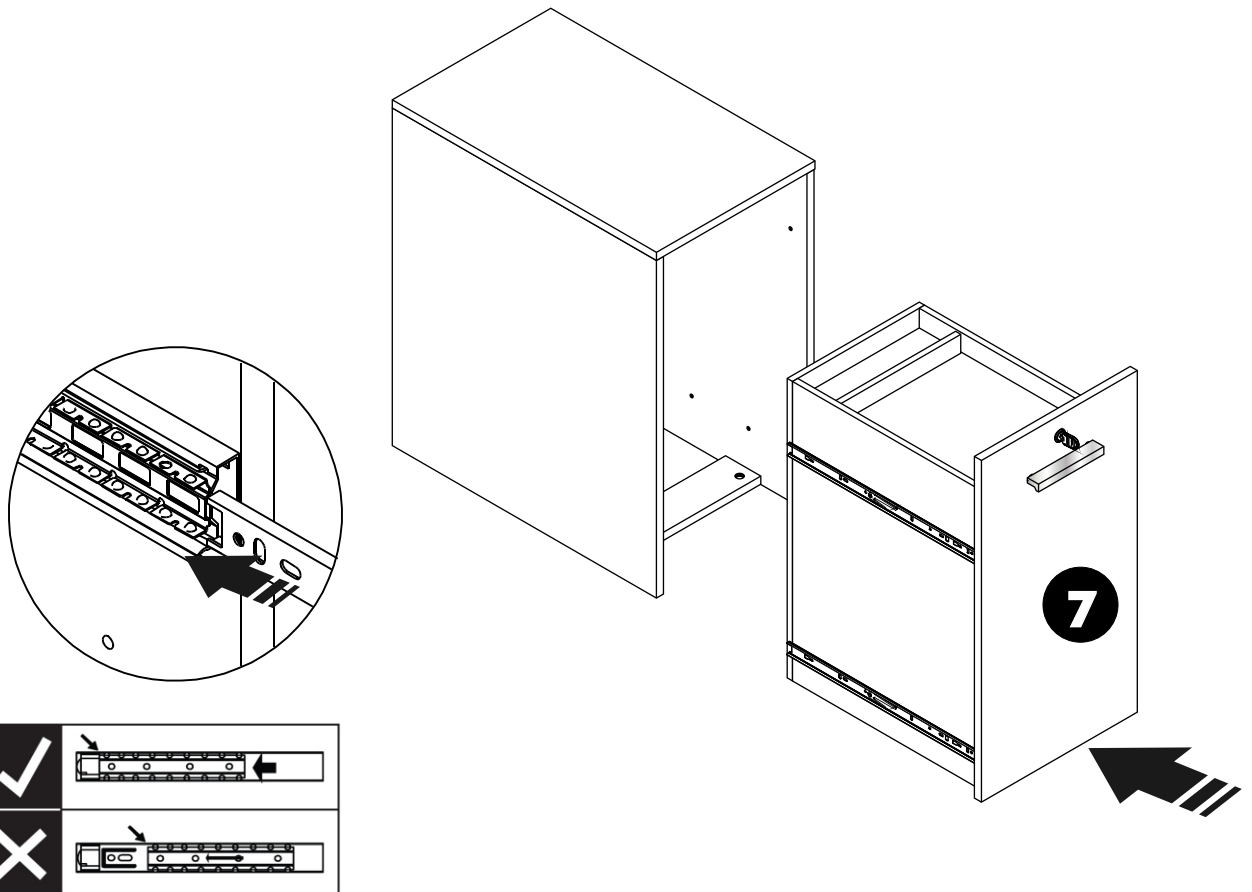
18.



19.

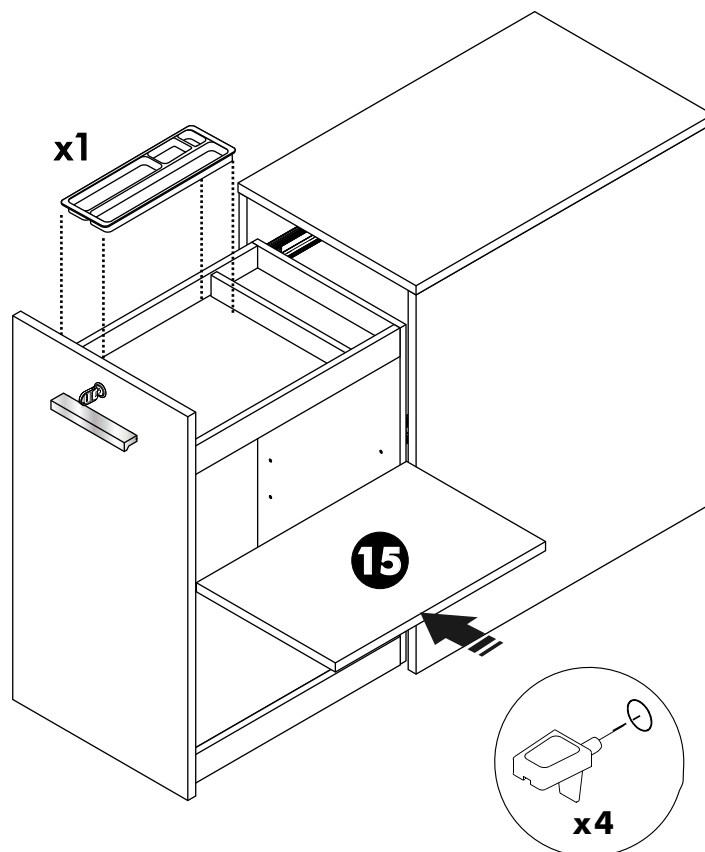


20.

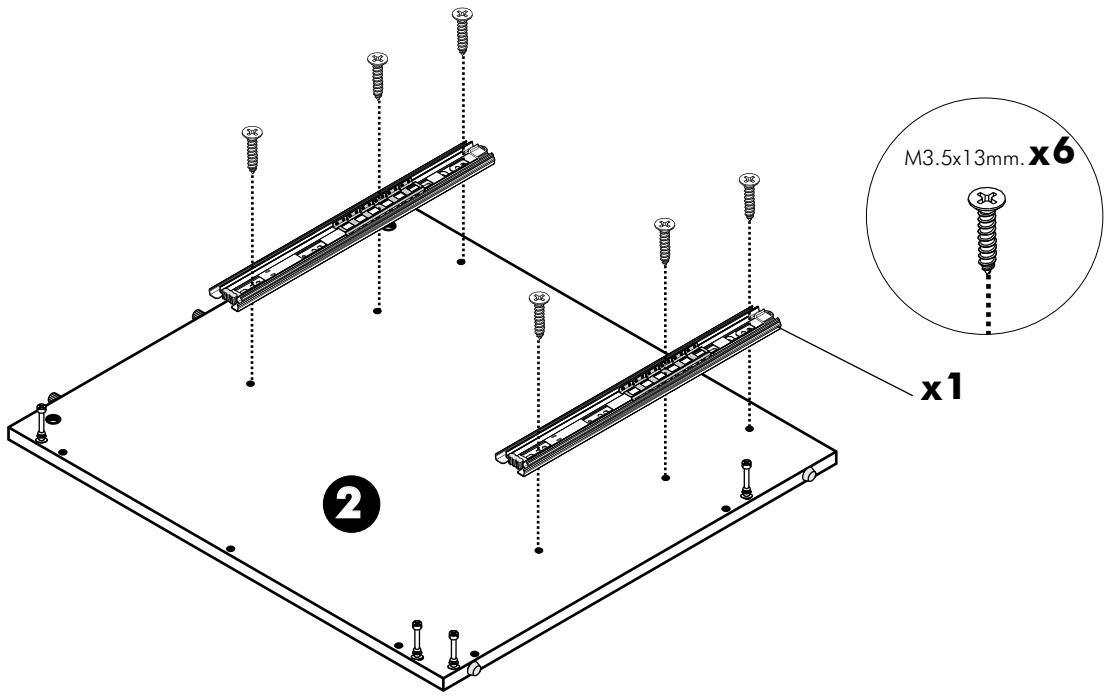
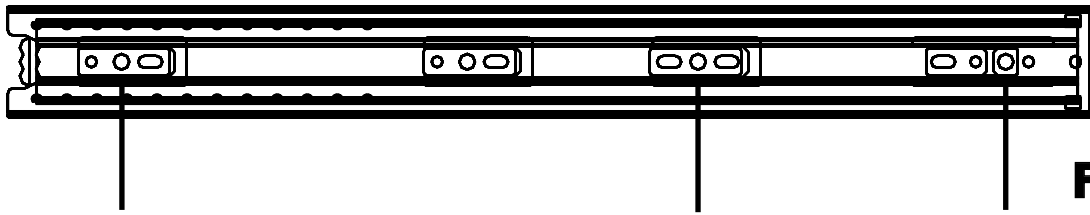
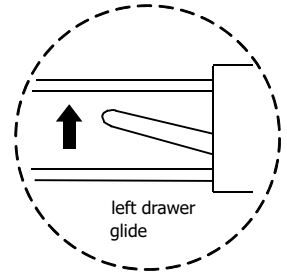
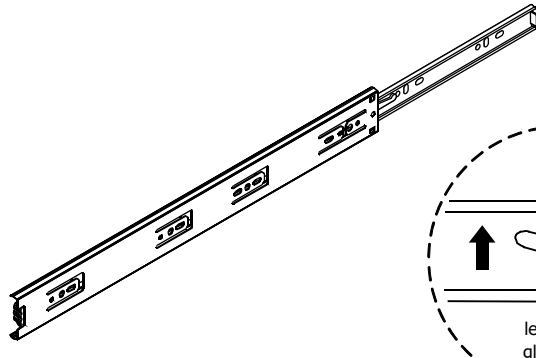
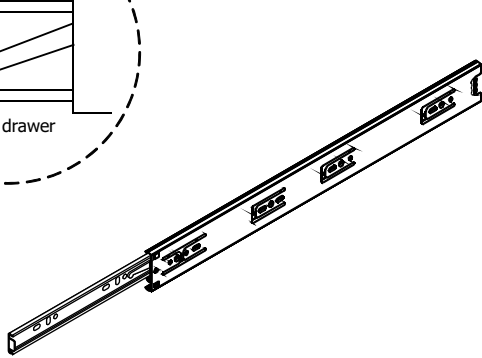
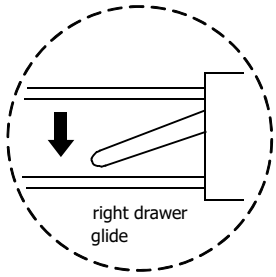
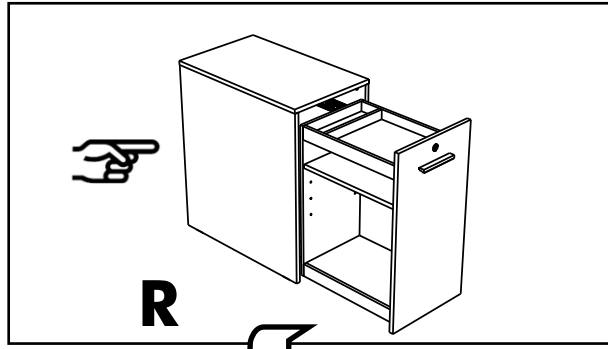


NOTE: Make sure ball bearings of glides on unit are positioned toward the front of the unit prior to inserting the drawer.

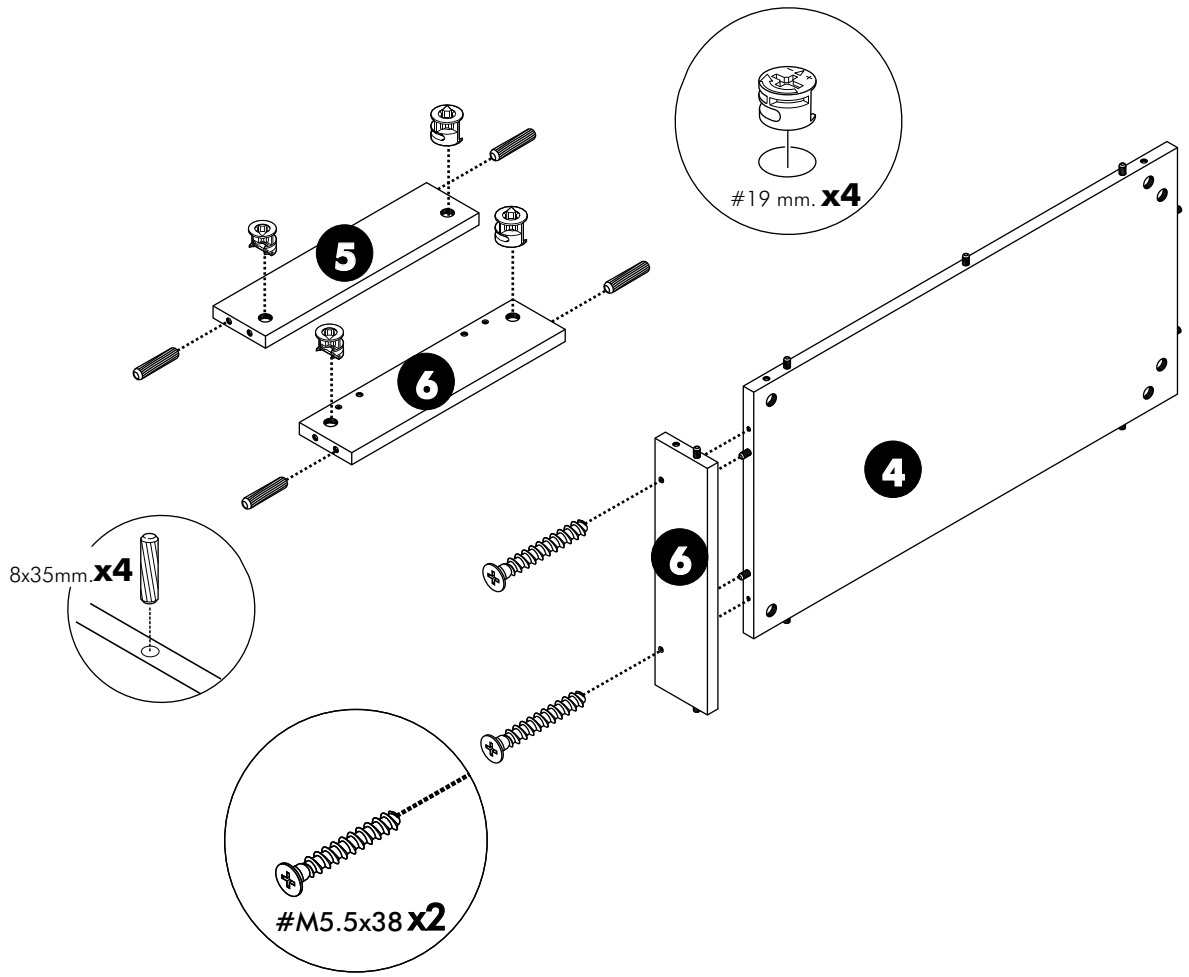
21.



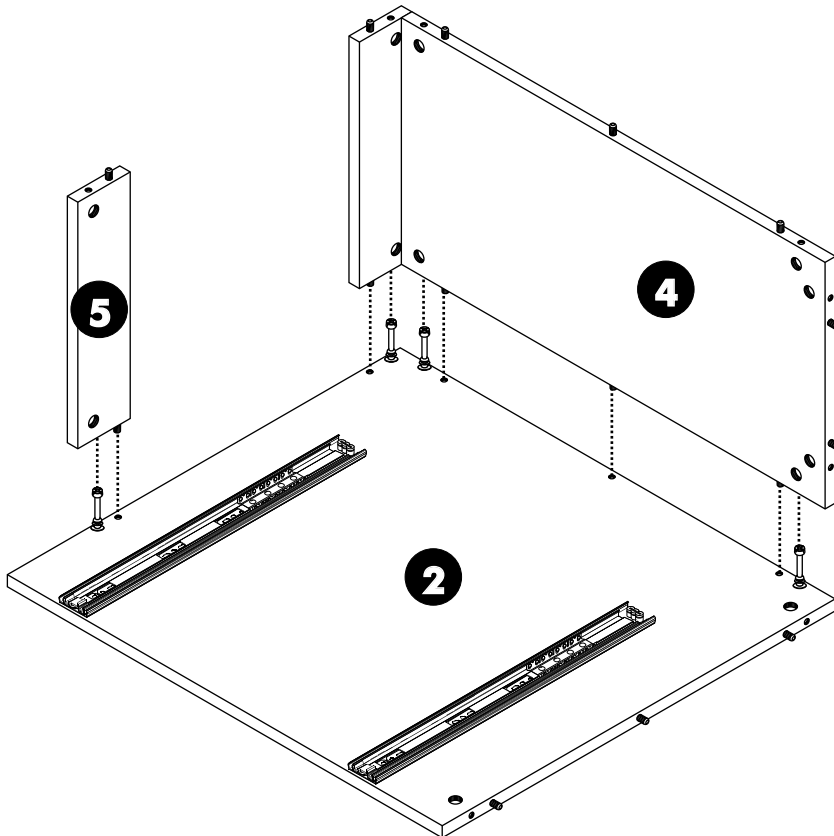
3.



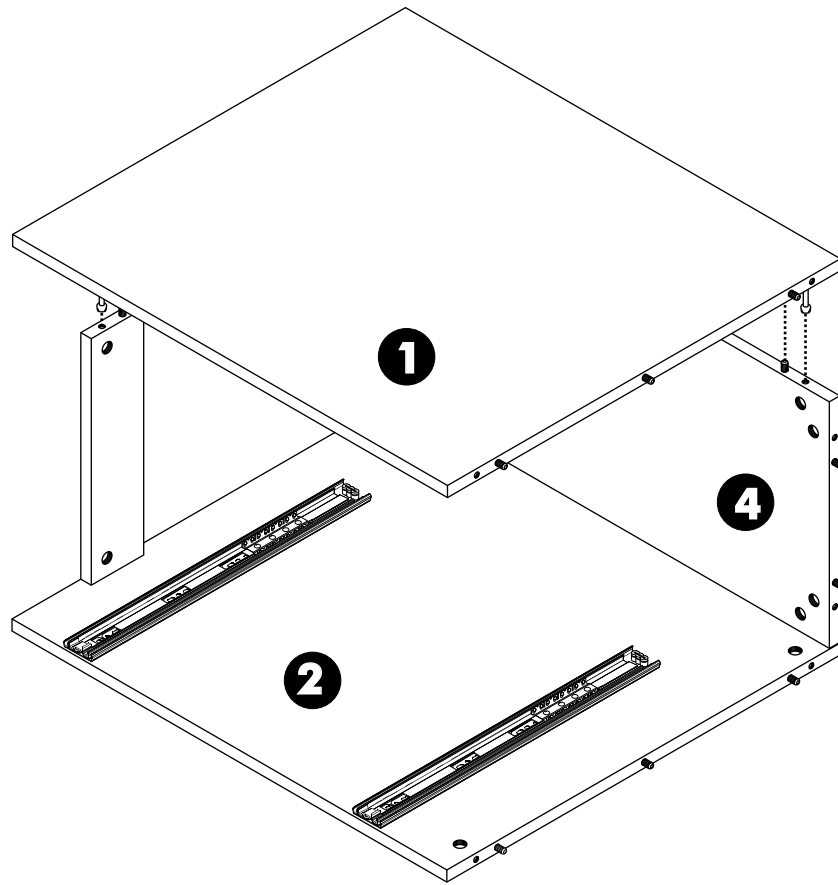
4.



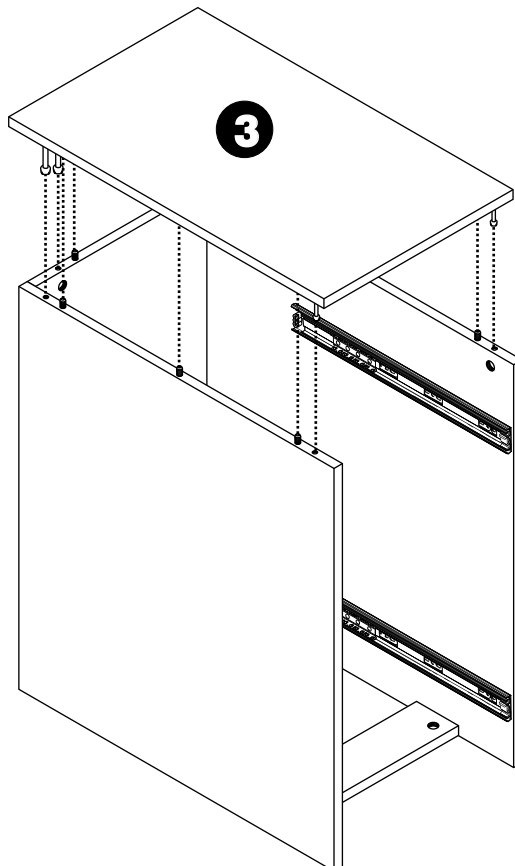
5.



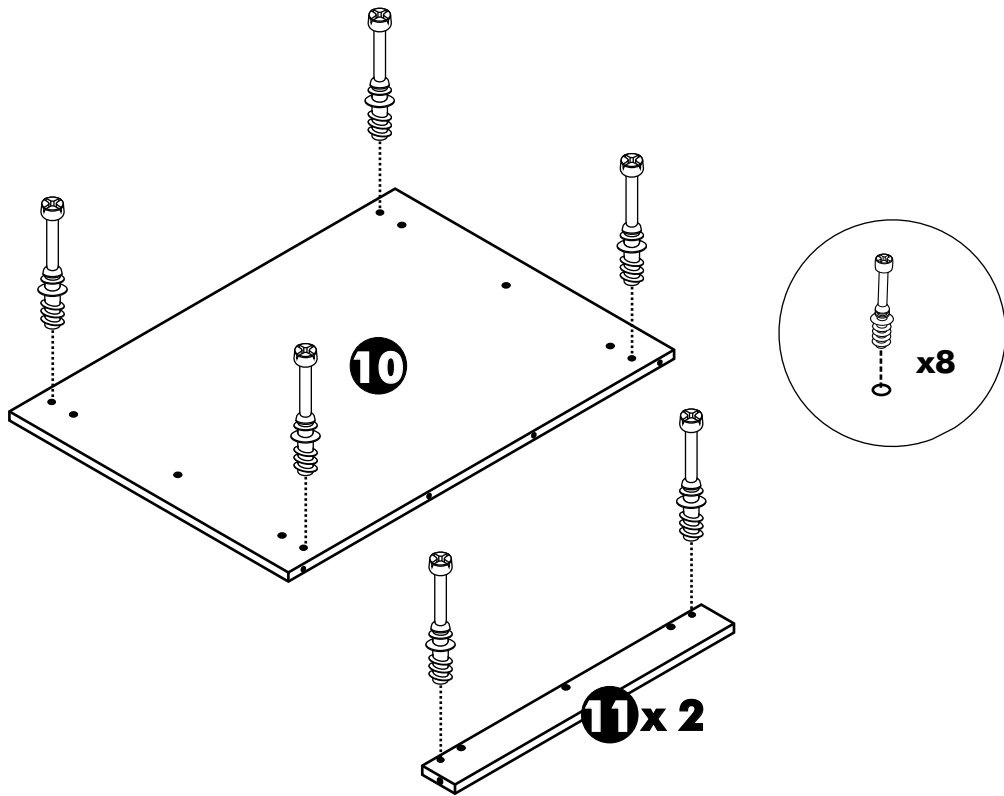
6.



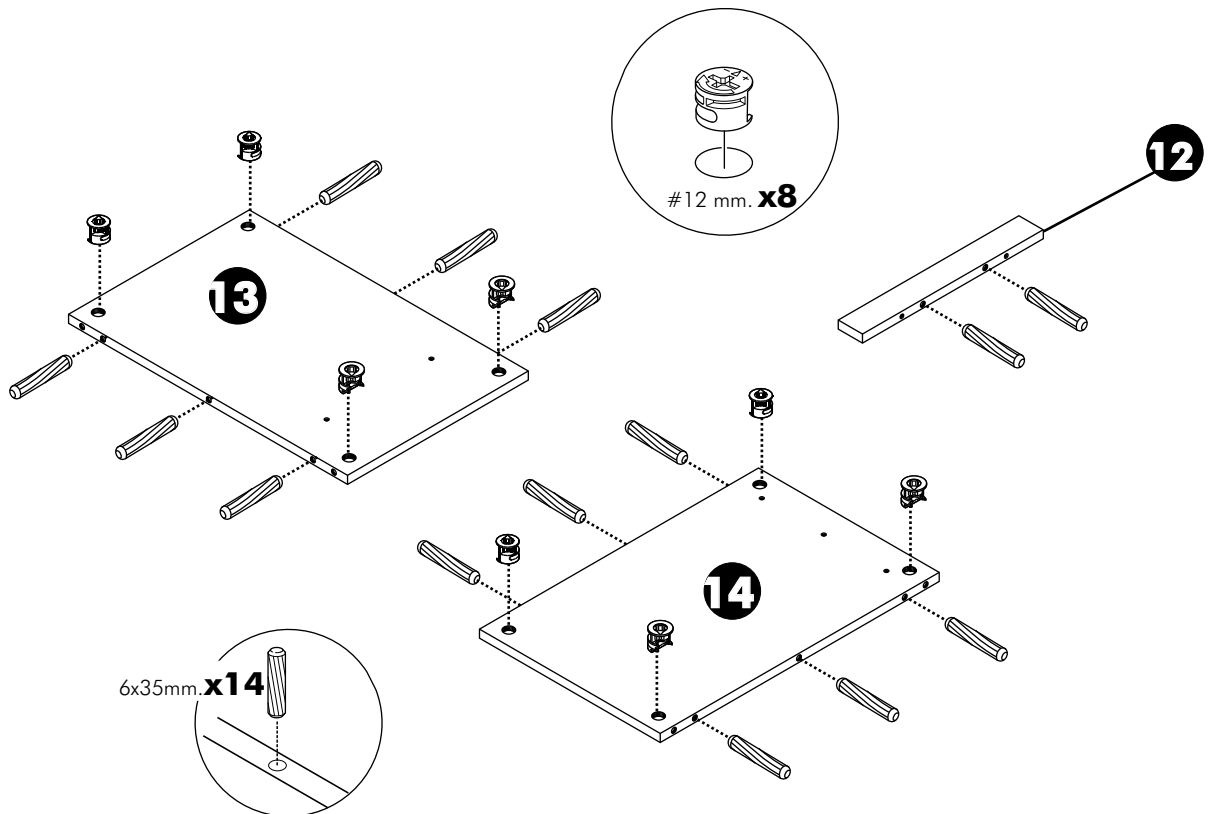
7.



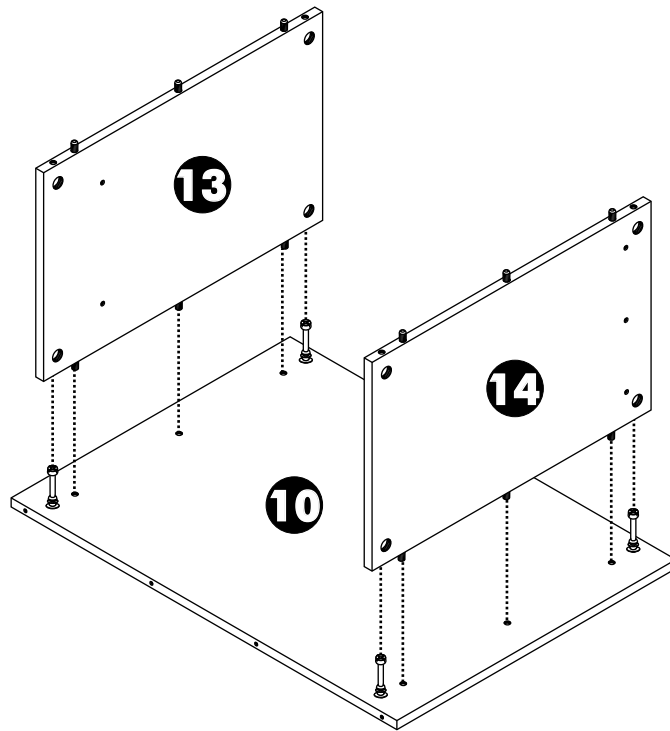
8.



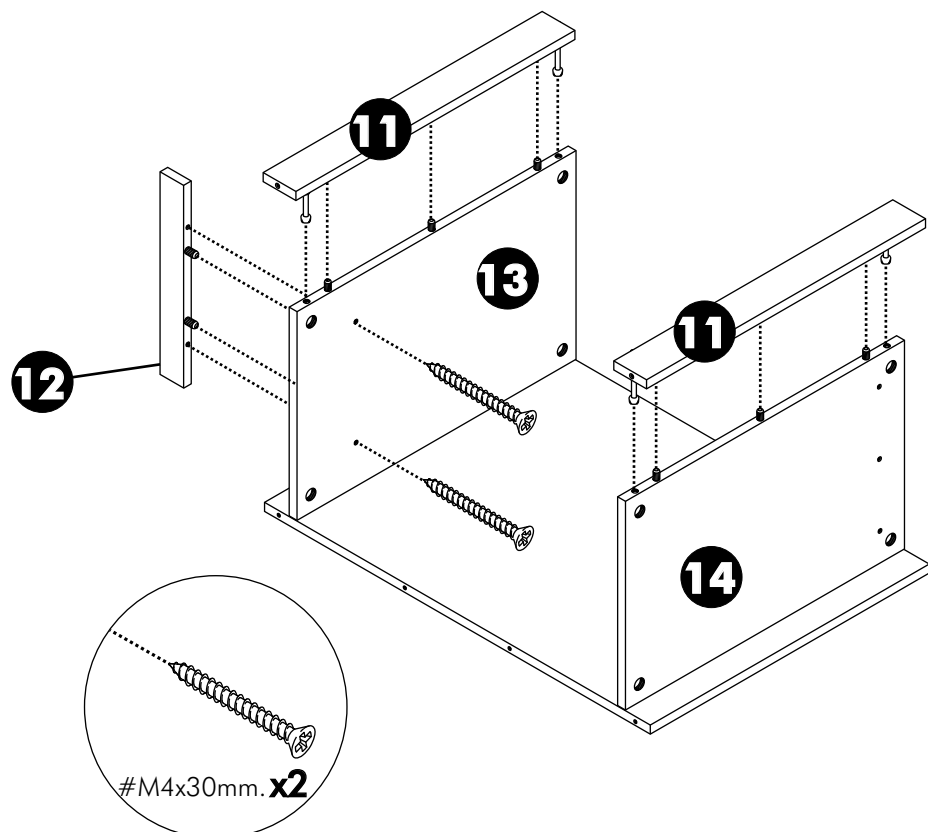
9.



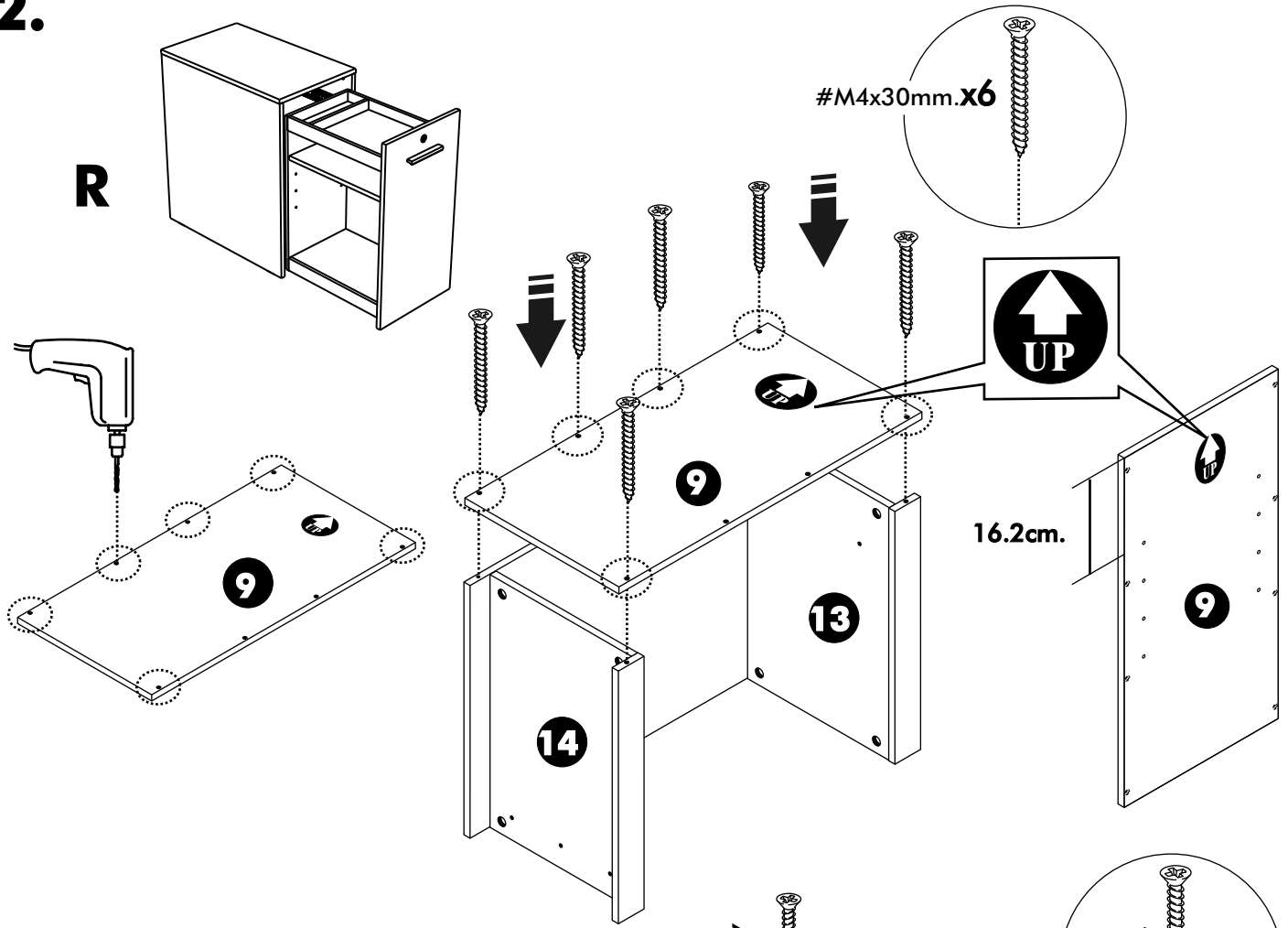
10.



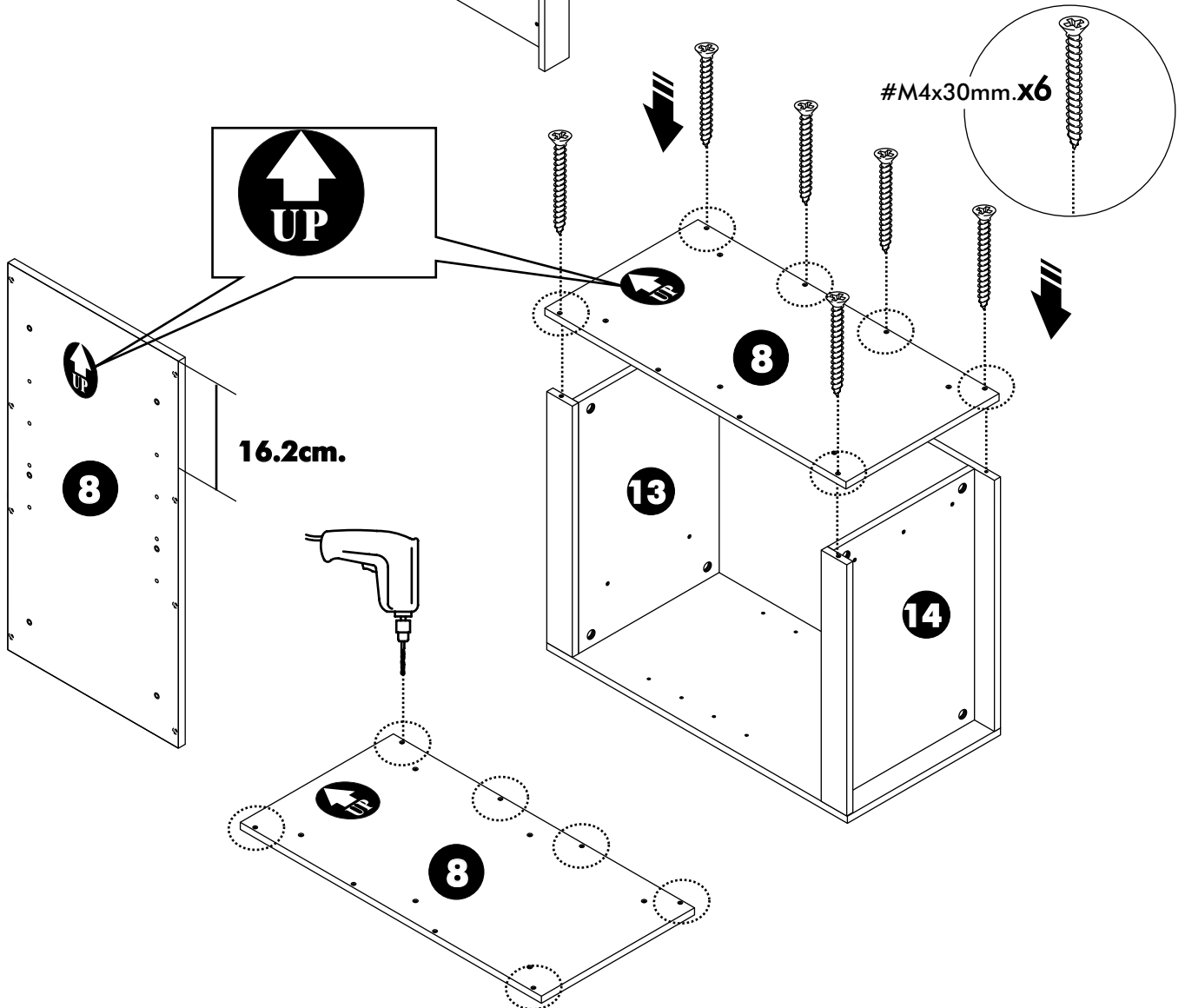
11.



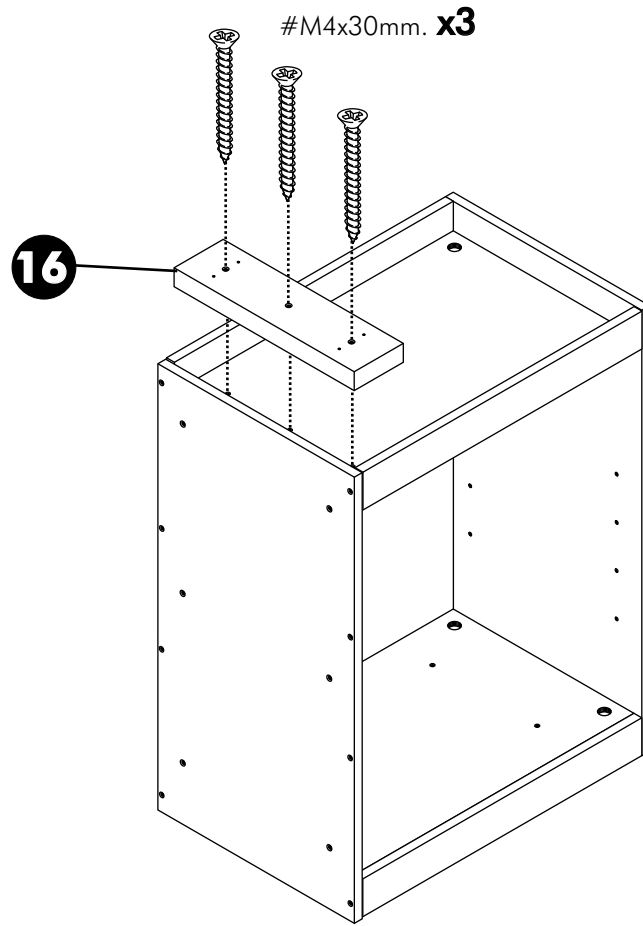
12.



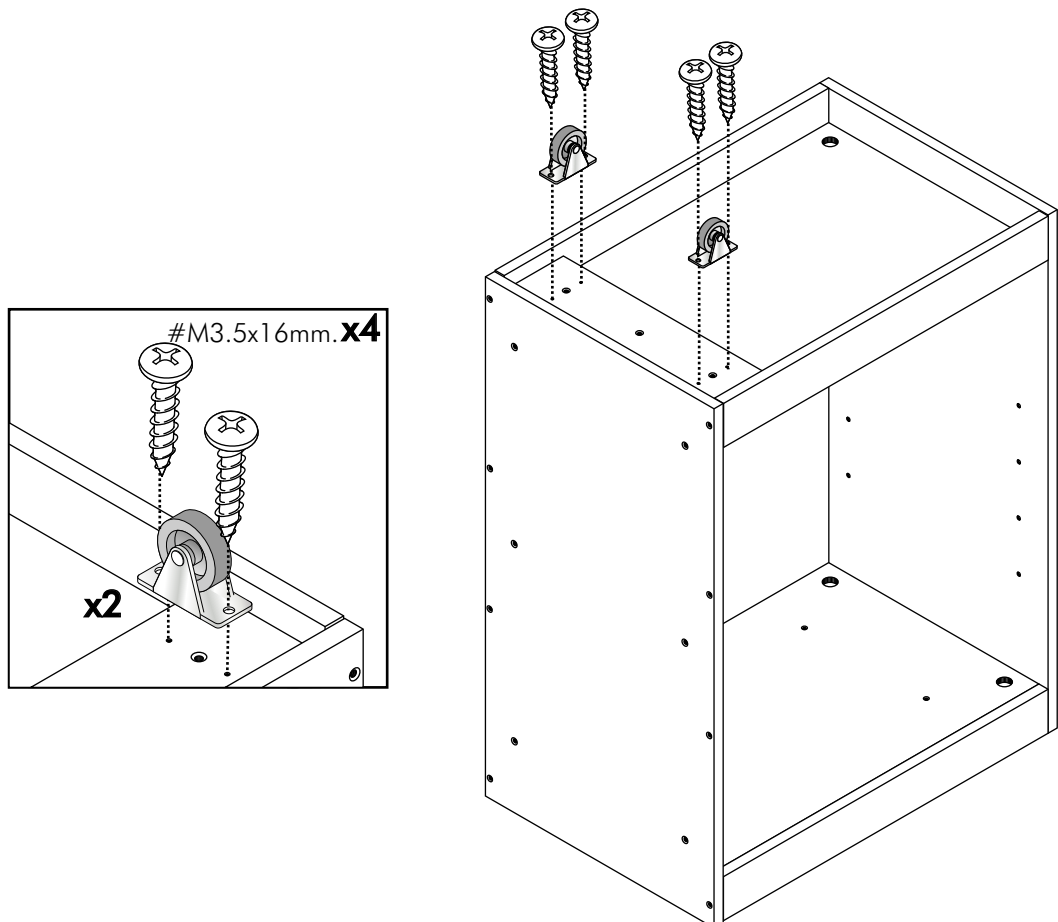
13.



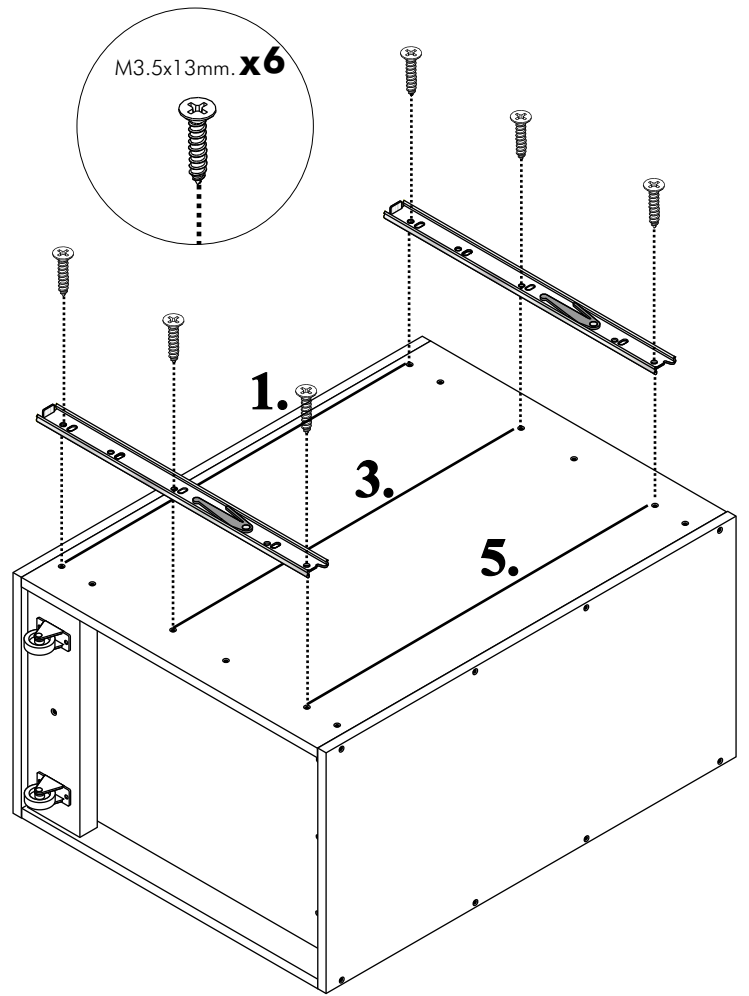
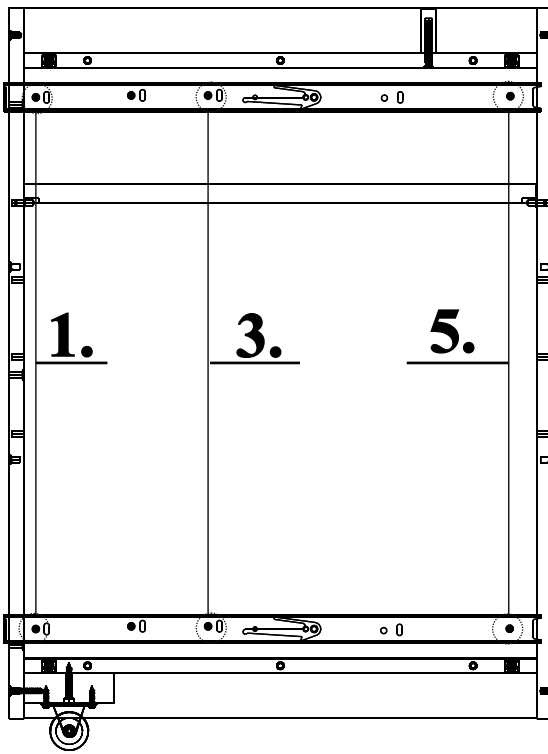
14.



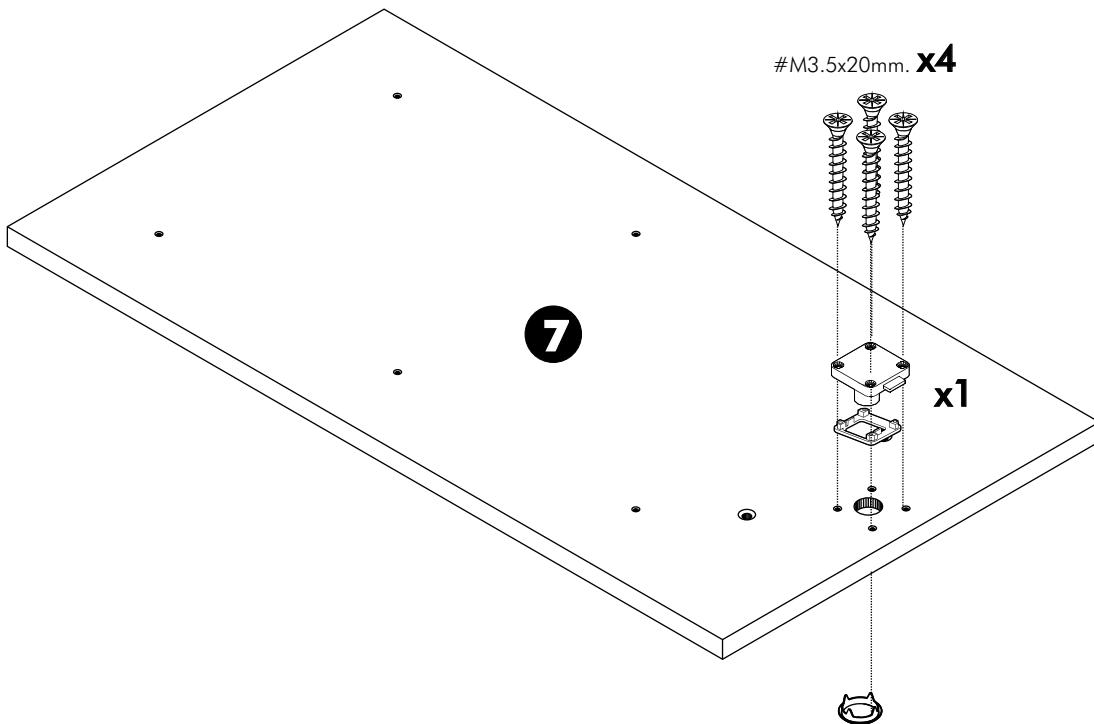
15.



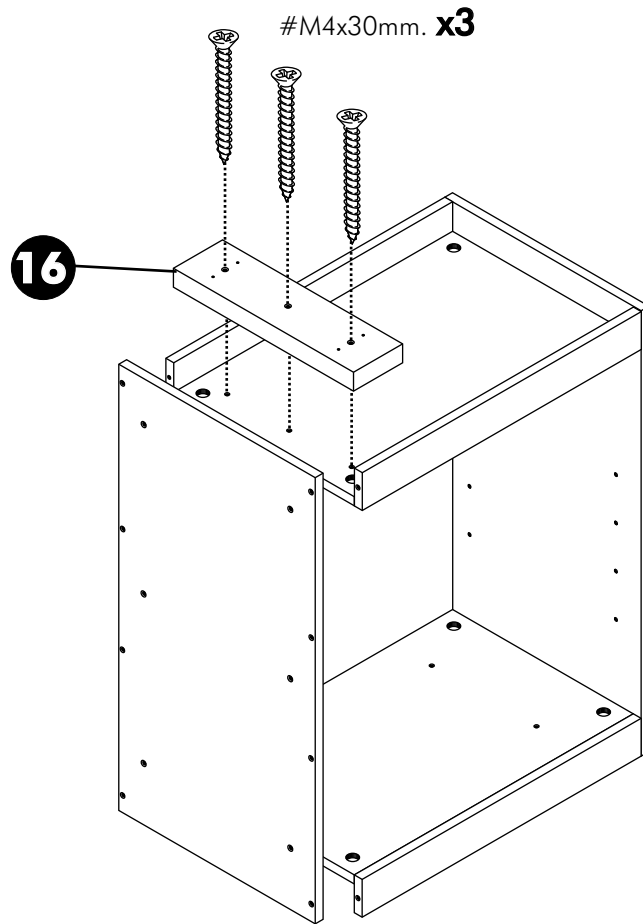
16.



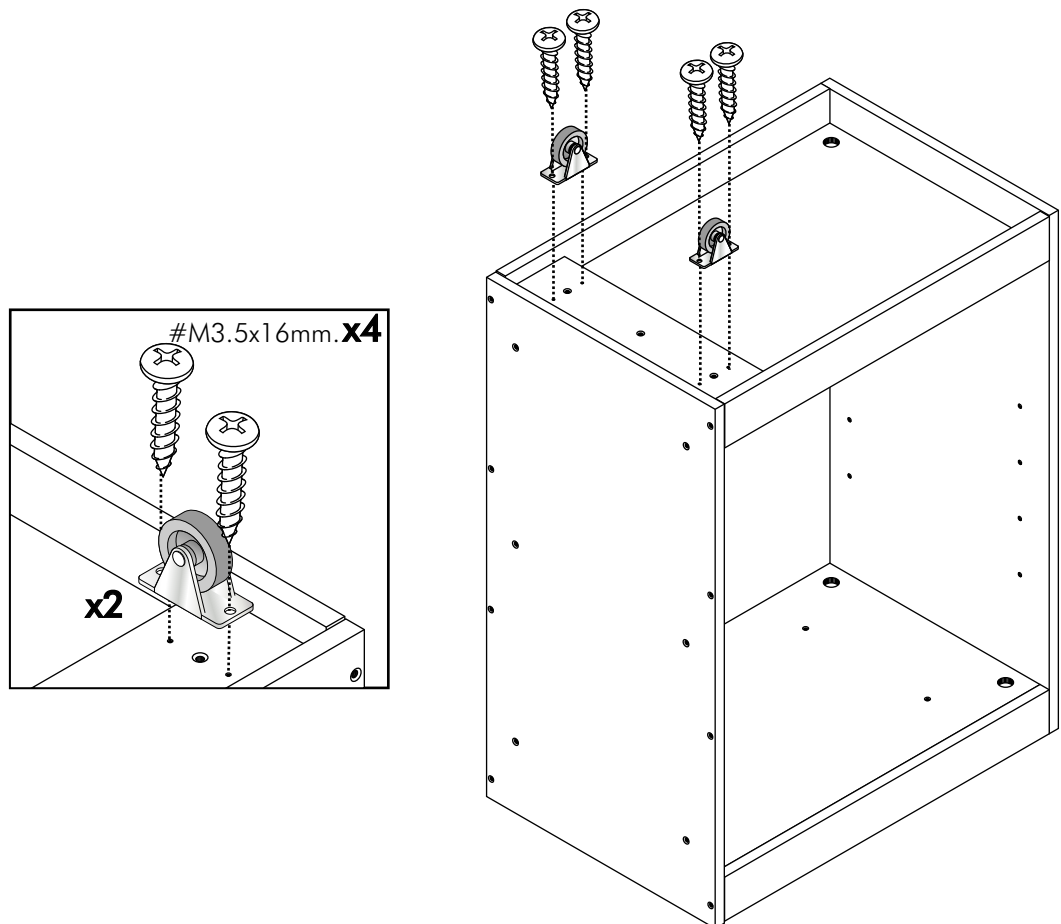
17.



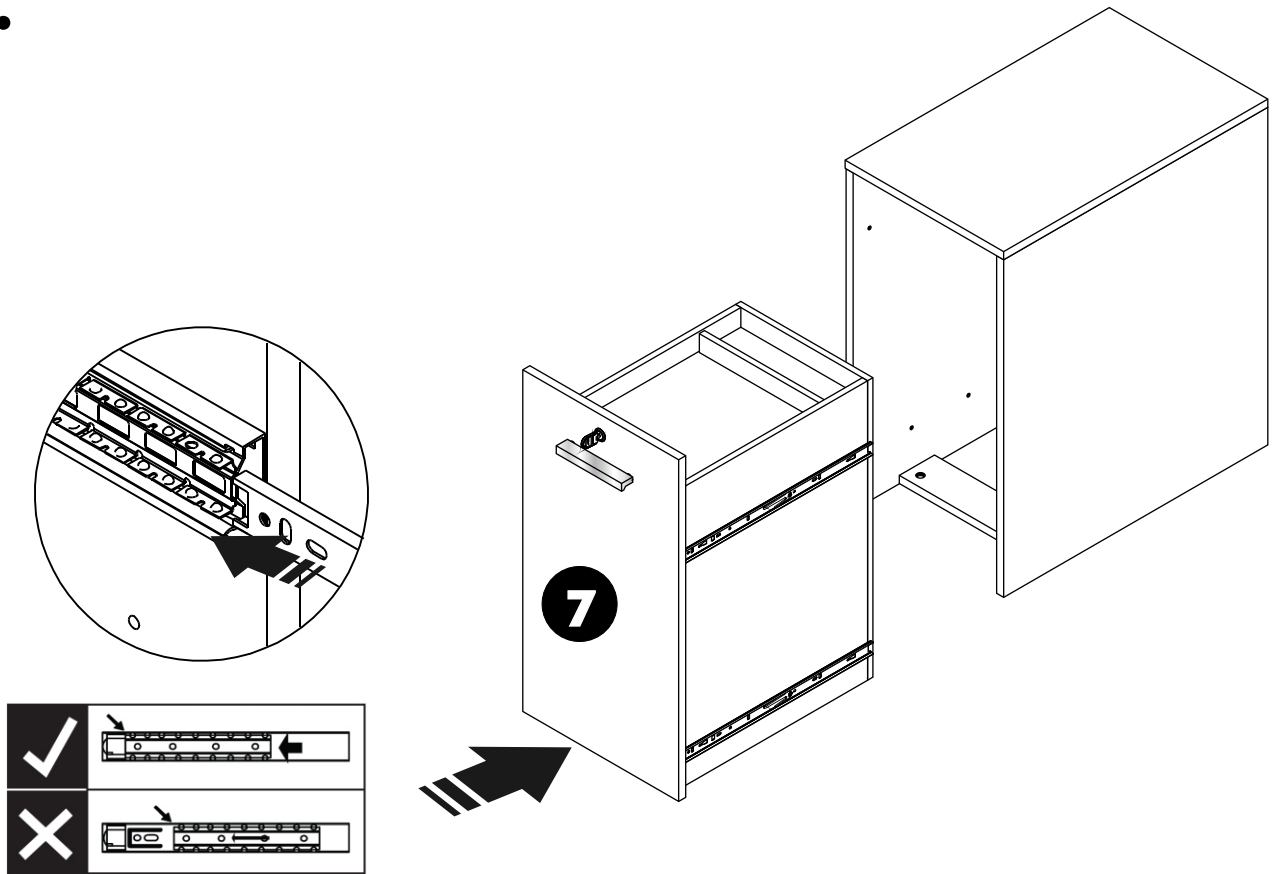
14.



15.



20.



NOTE: Make sure ball bearings of glides on unit are positioned toward the front of the unit prior to inserting the drawer.

21.

