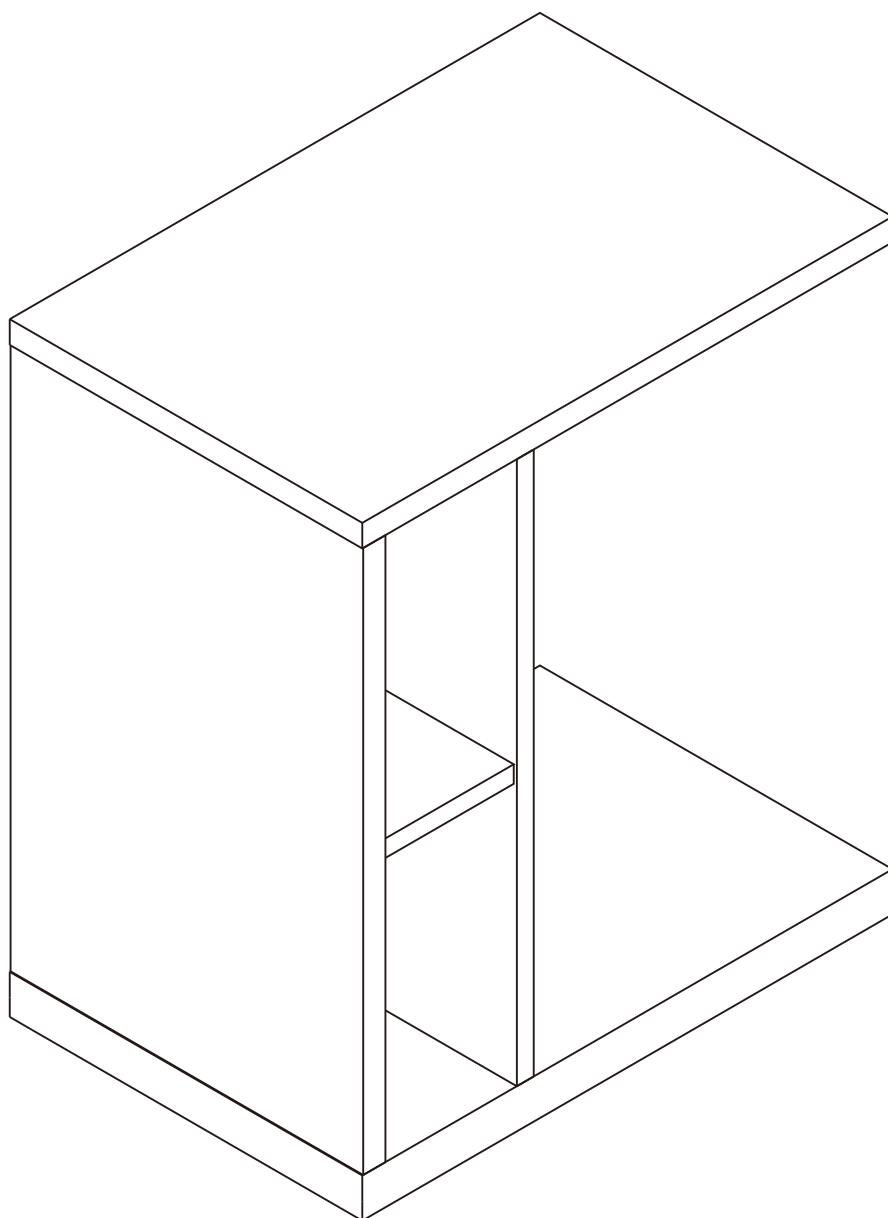
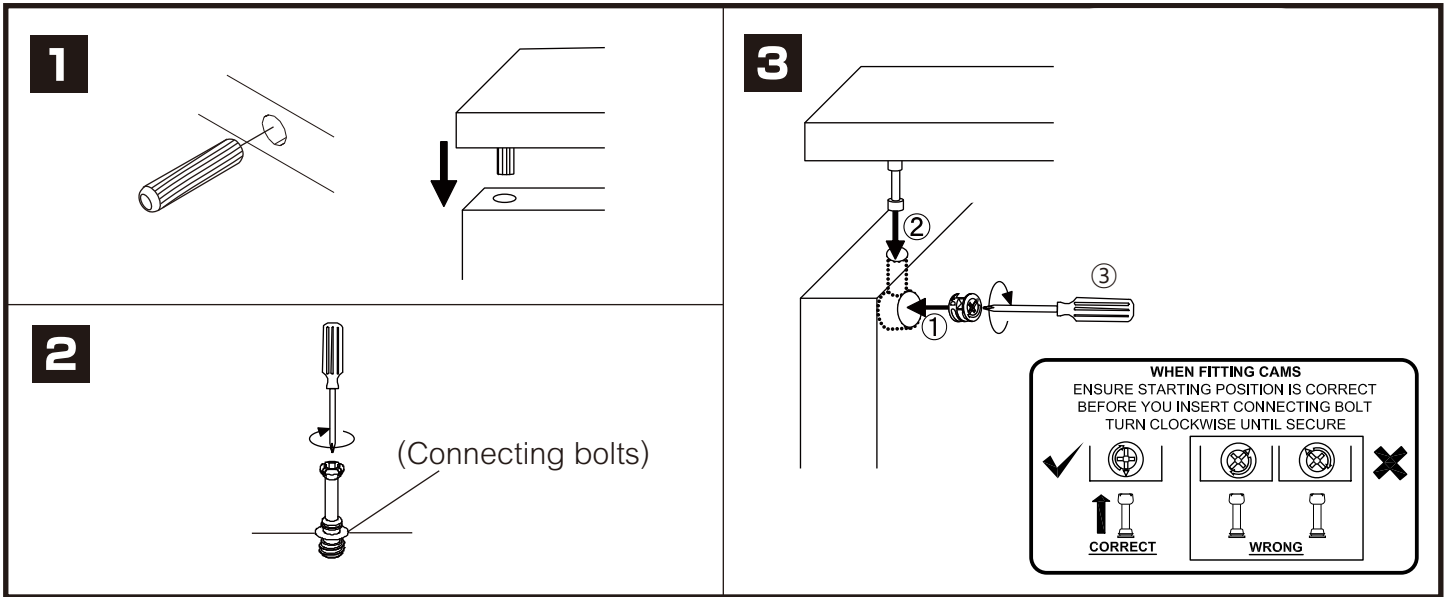


# PLOT-P

Side table 60

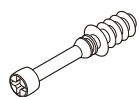


# CONNECT SYSTEM



# HARDWARE

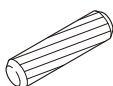
## -BODY SET



**x 8**



**x 8**

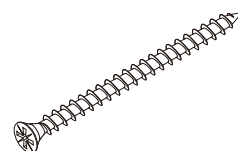


8x35mm.

**x 12**



**x 6**



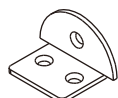
M4x50mm.

**x 4**



M3.5x16mm.

**x 16**



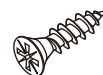
**x 2**



**x 1Set**



**x 2**



M4x20mm.

**x 6**

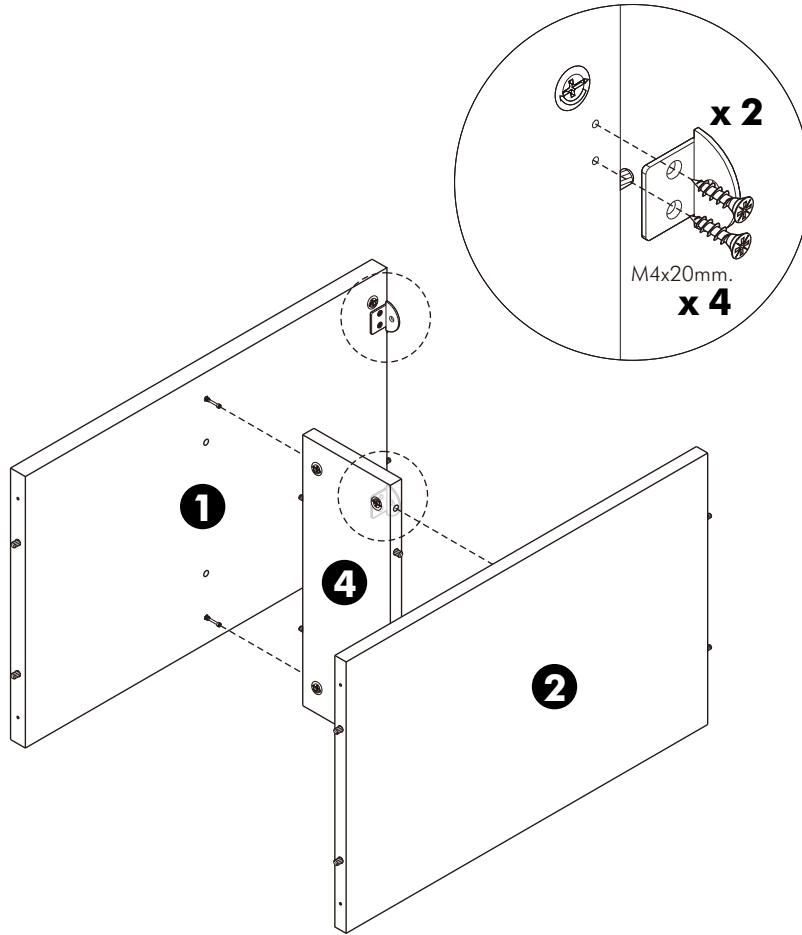


**x 4**

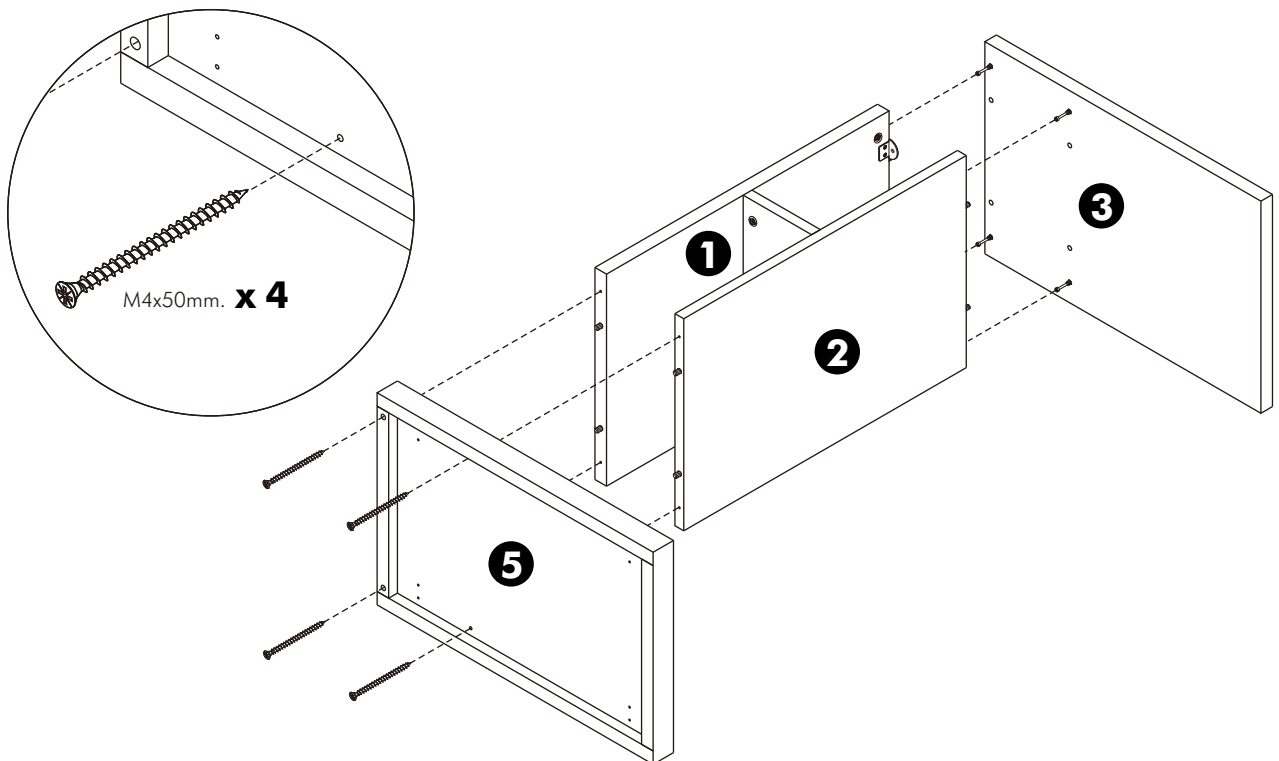
# ASSEMBLY

-BODY SET

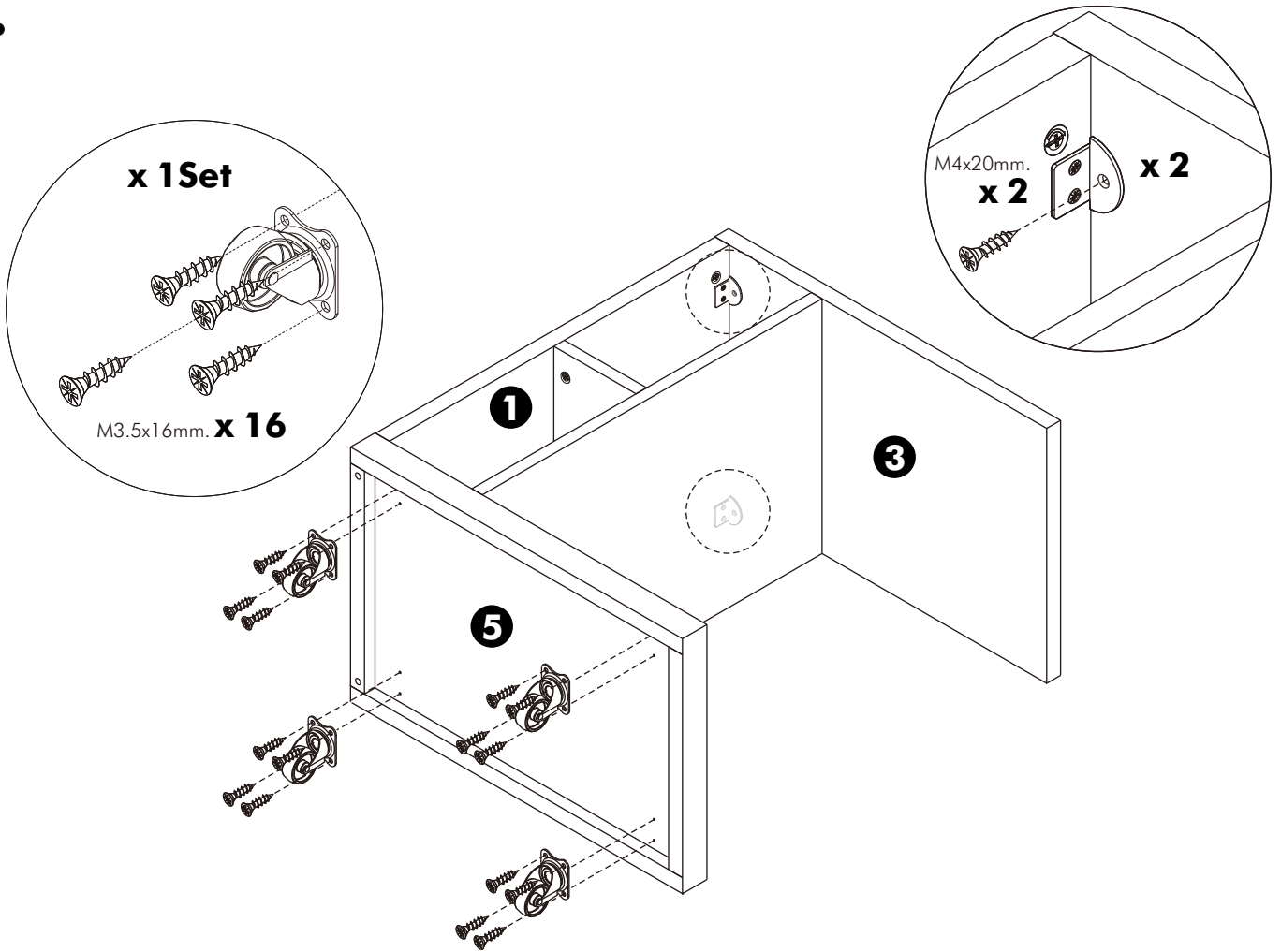
## 1.



## 2.



**3.**



**4.**

