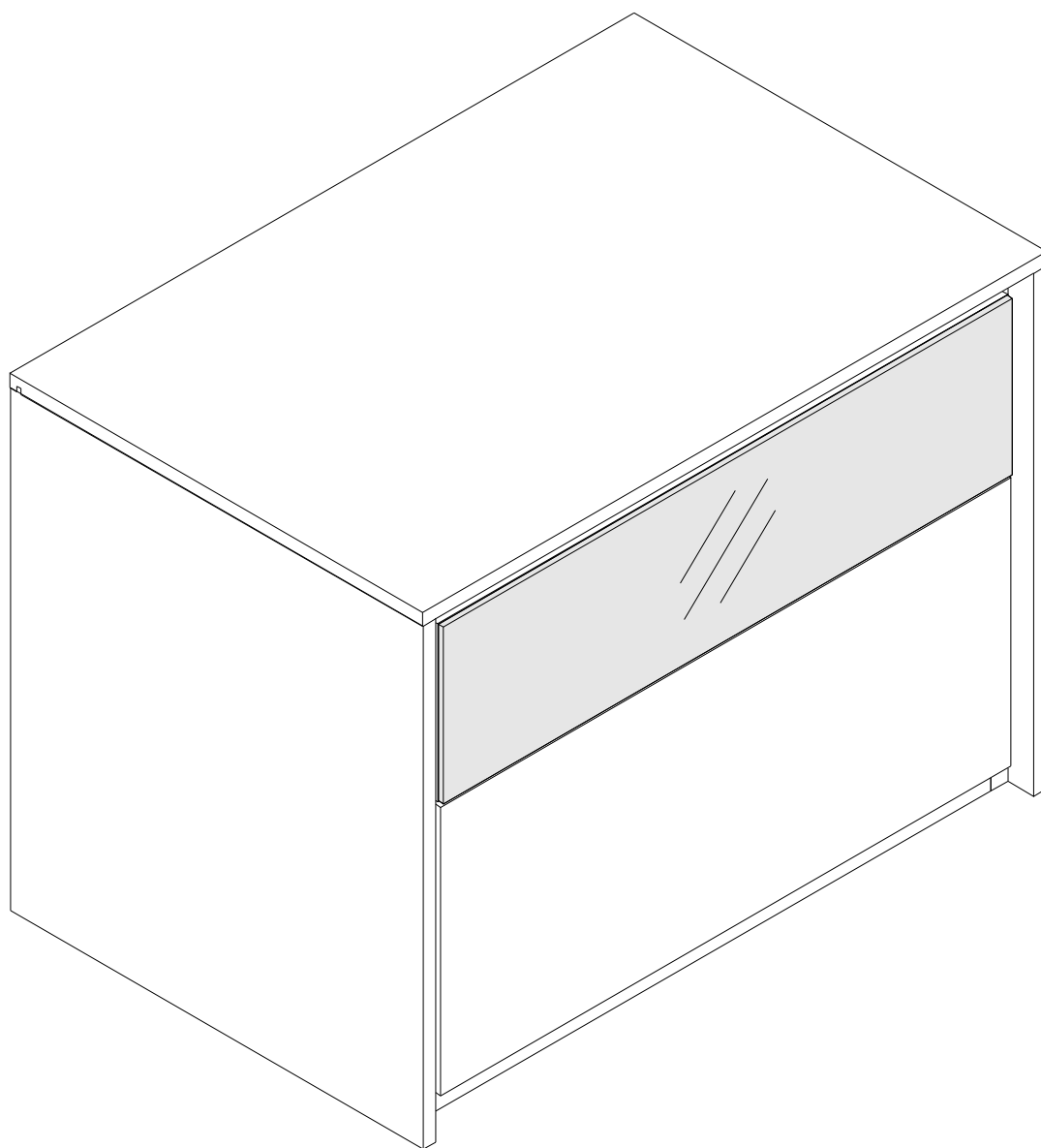
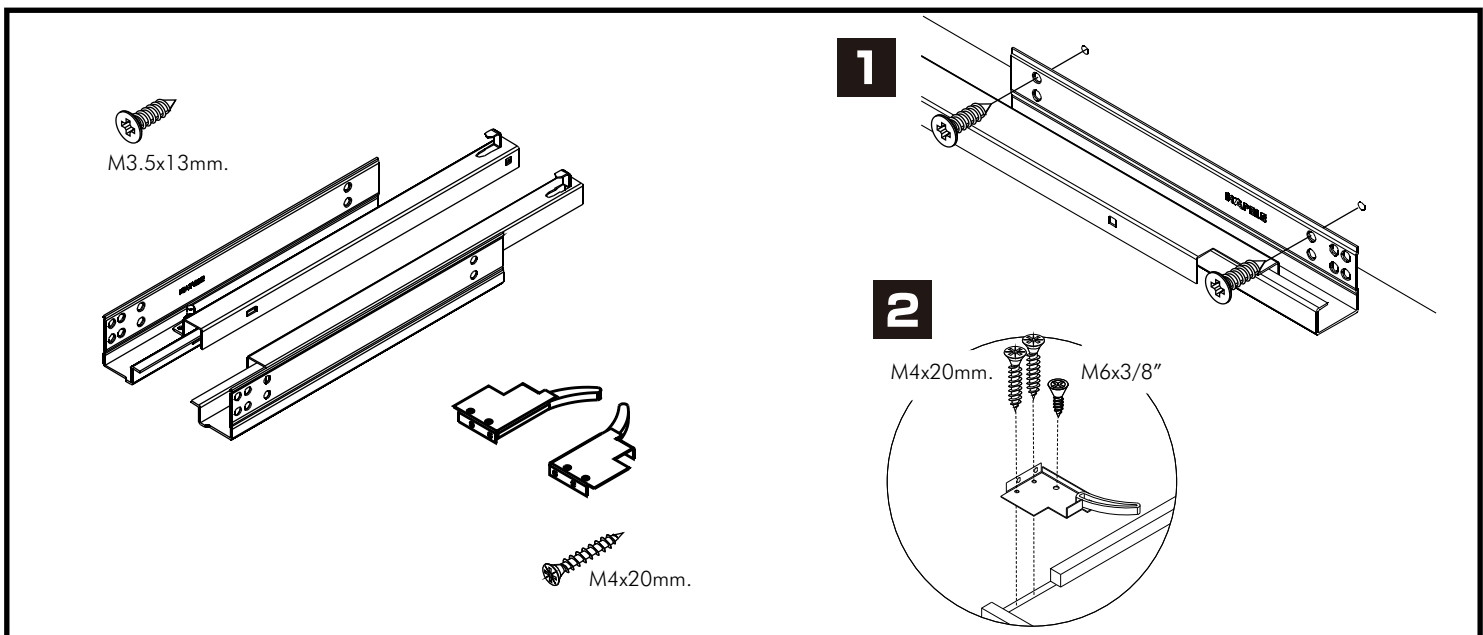
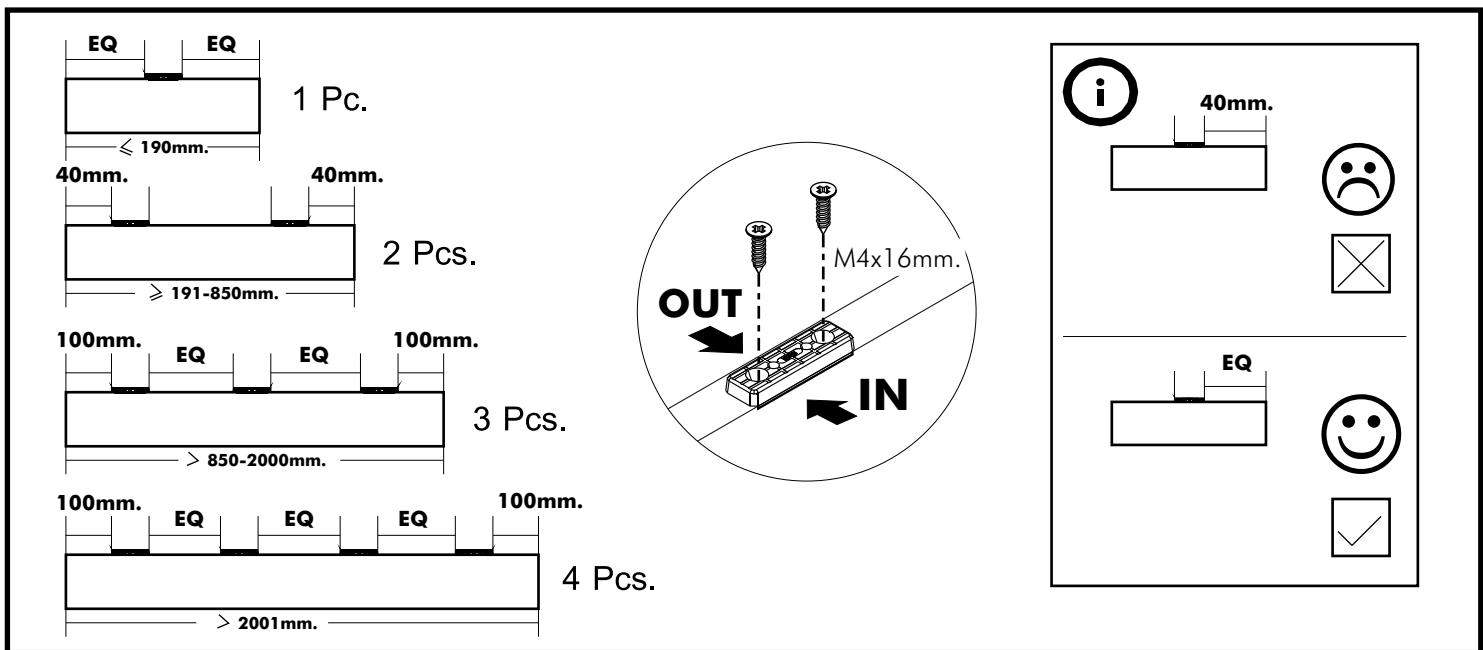
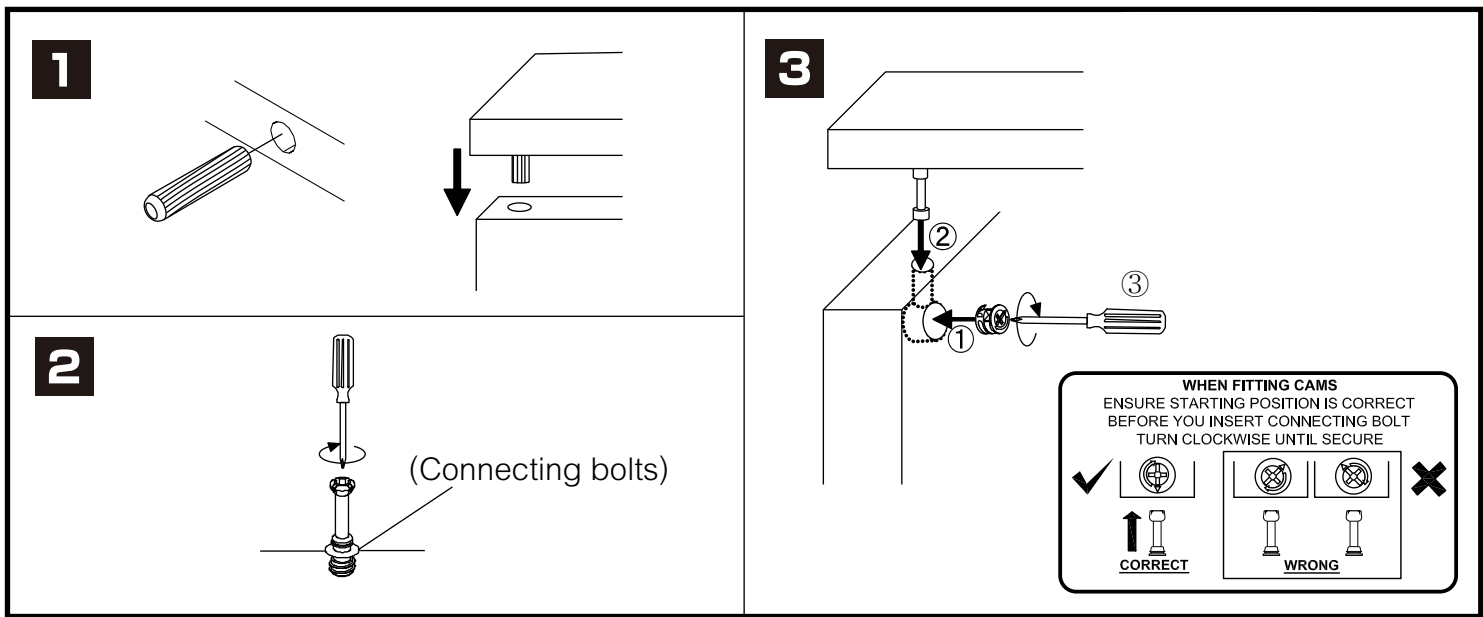


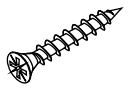
SIENA-P

Night table 60

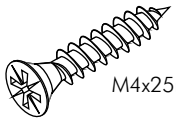
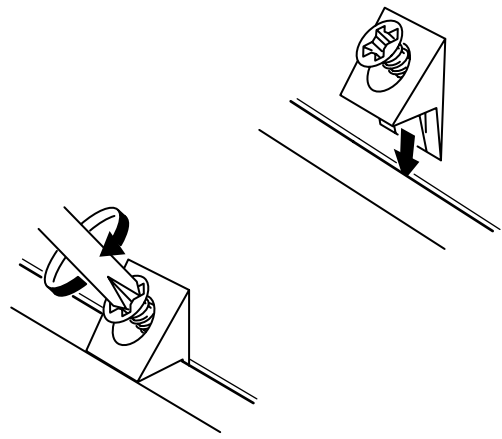
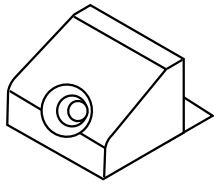


CONNECT SYSTEM

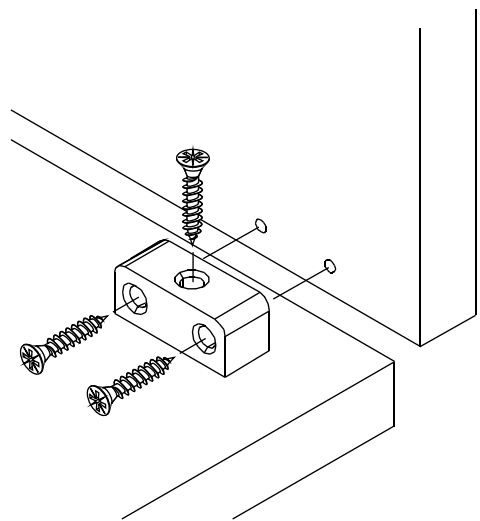
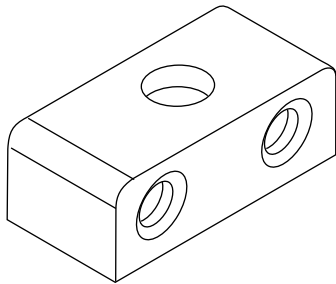


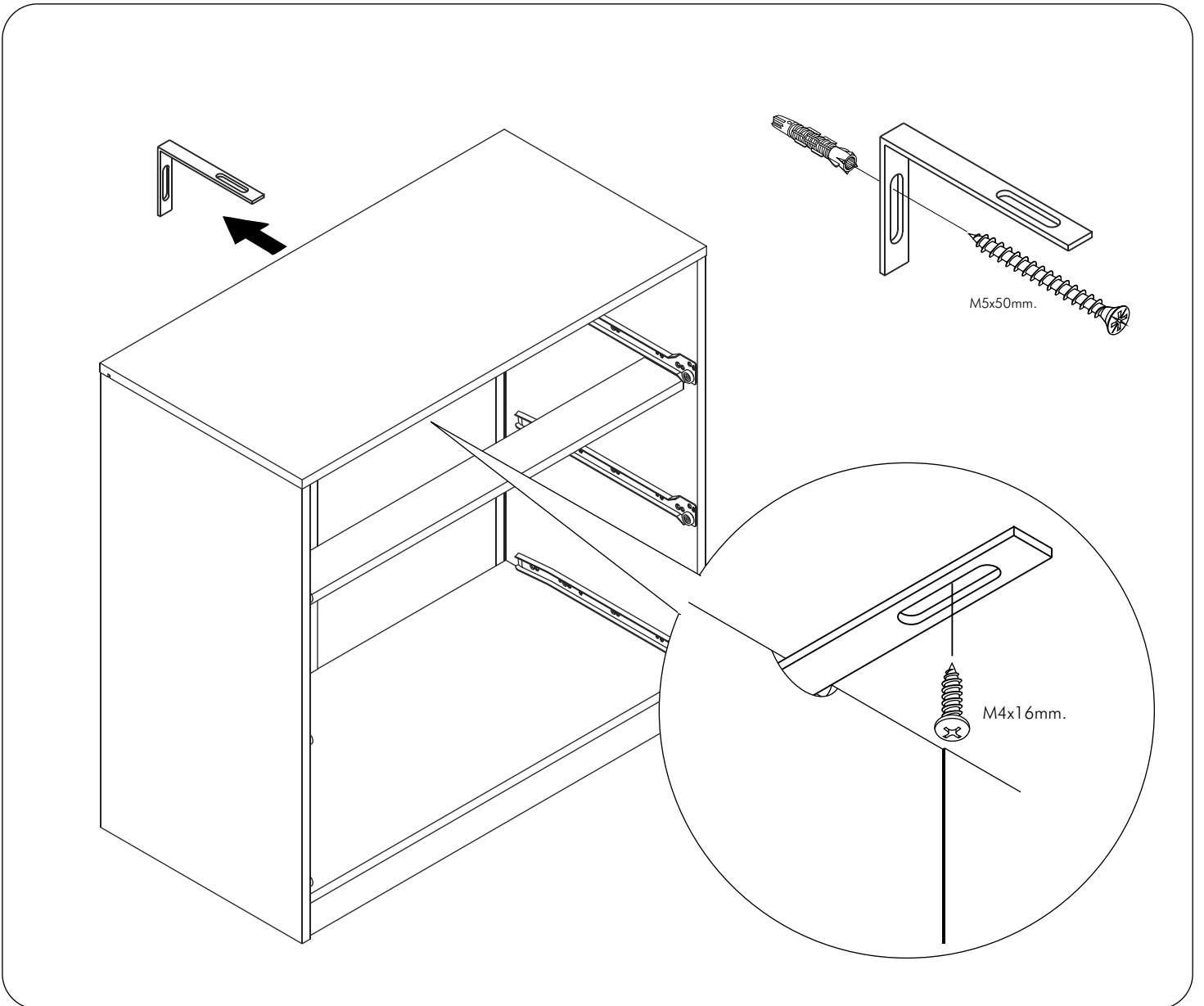


M4x20mm.



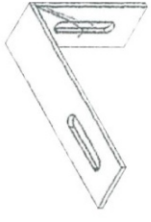
M4x25mm.



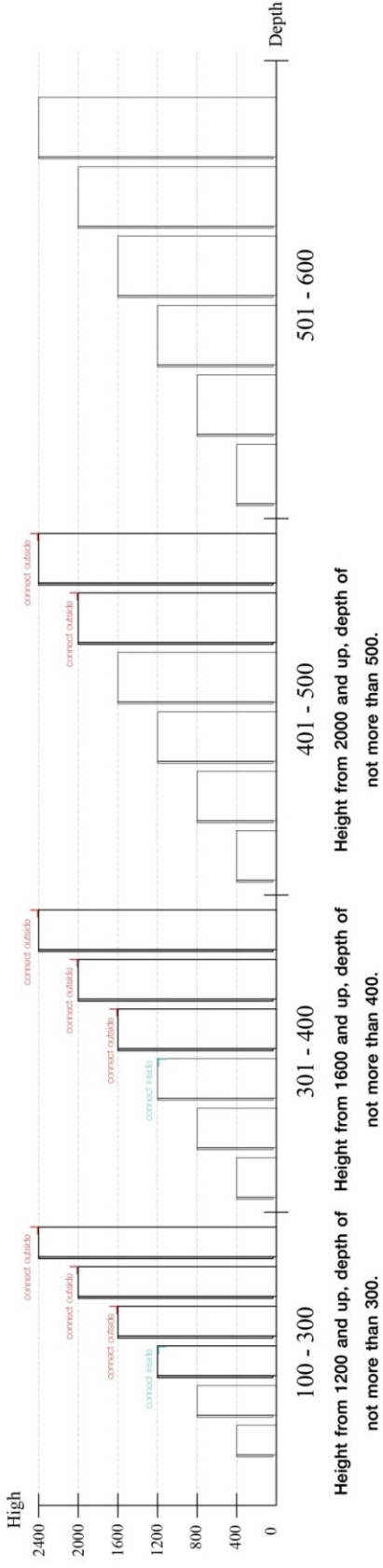


The Standard for identifying which mounted safety fall protection fitting to use **Note : That children's products must be installed with all anti-falling fittings.**

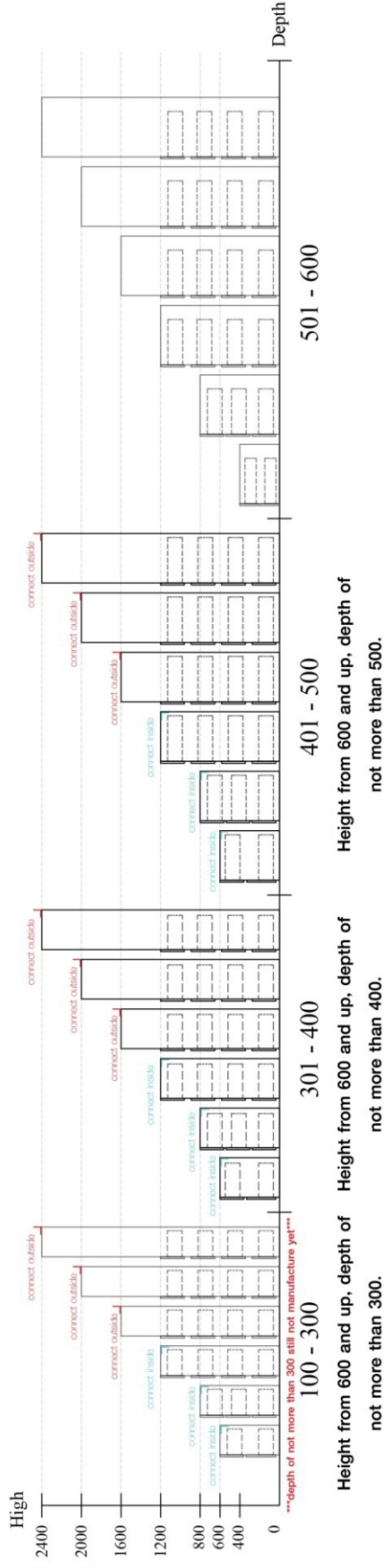
■ Mounted fall protection fittings



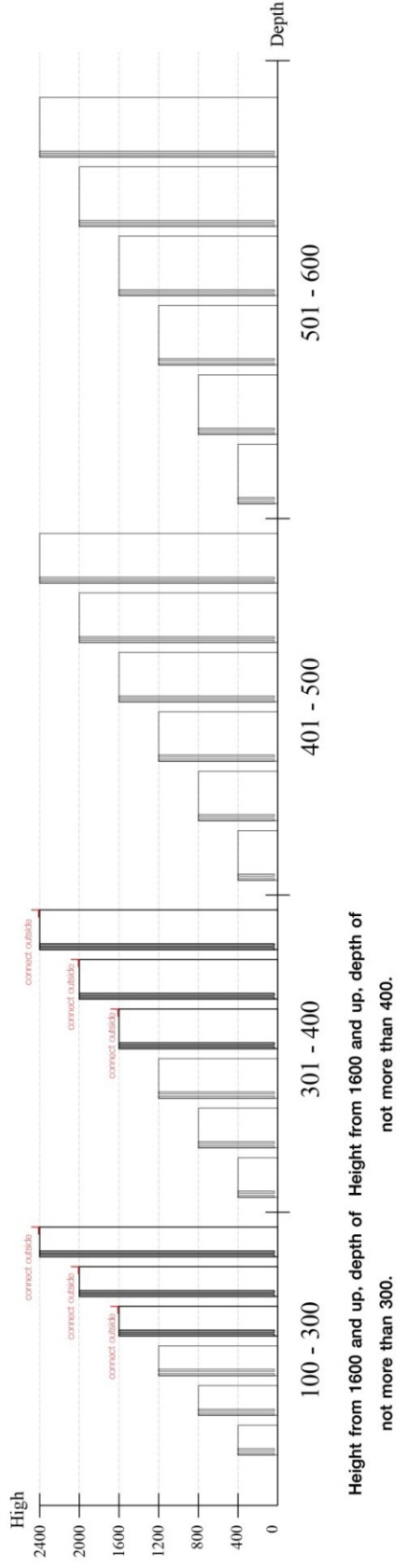
■ Category : Cabinet with open doors



■ Category : Chest of drawers

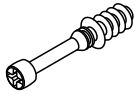


■ Category : Sliding door cabinet / Open cabinet



HARDWARE

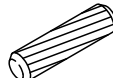
-BODY SET



x 8



x 8



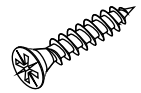
8x35mm.

x 20



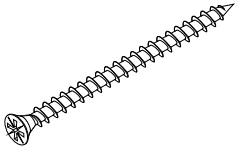
M4x16mm.

x 4



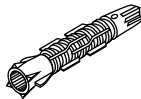
M4x25mm.

x 36

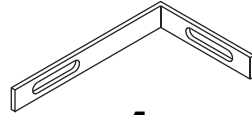


M5x50mm.

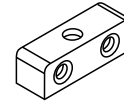
x 1



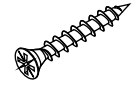
x 1



x 1



x 6

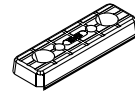


M4x20mm.

x 4



x 4



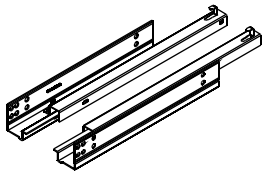
x 8



M4x16mm.

x 16

-DRAWER SET

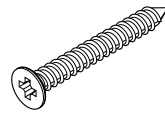


x 2



M6x3/8"

x 4



M4x40mm.

x 20

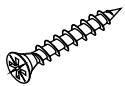


M6x23mm.

x 8



x 1



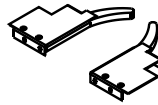
M4x20mm.

x 8



M3.5x13mm.

x 8

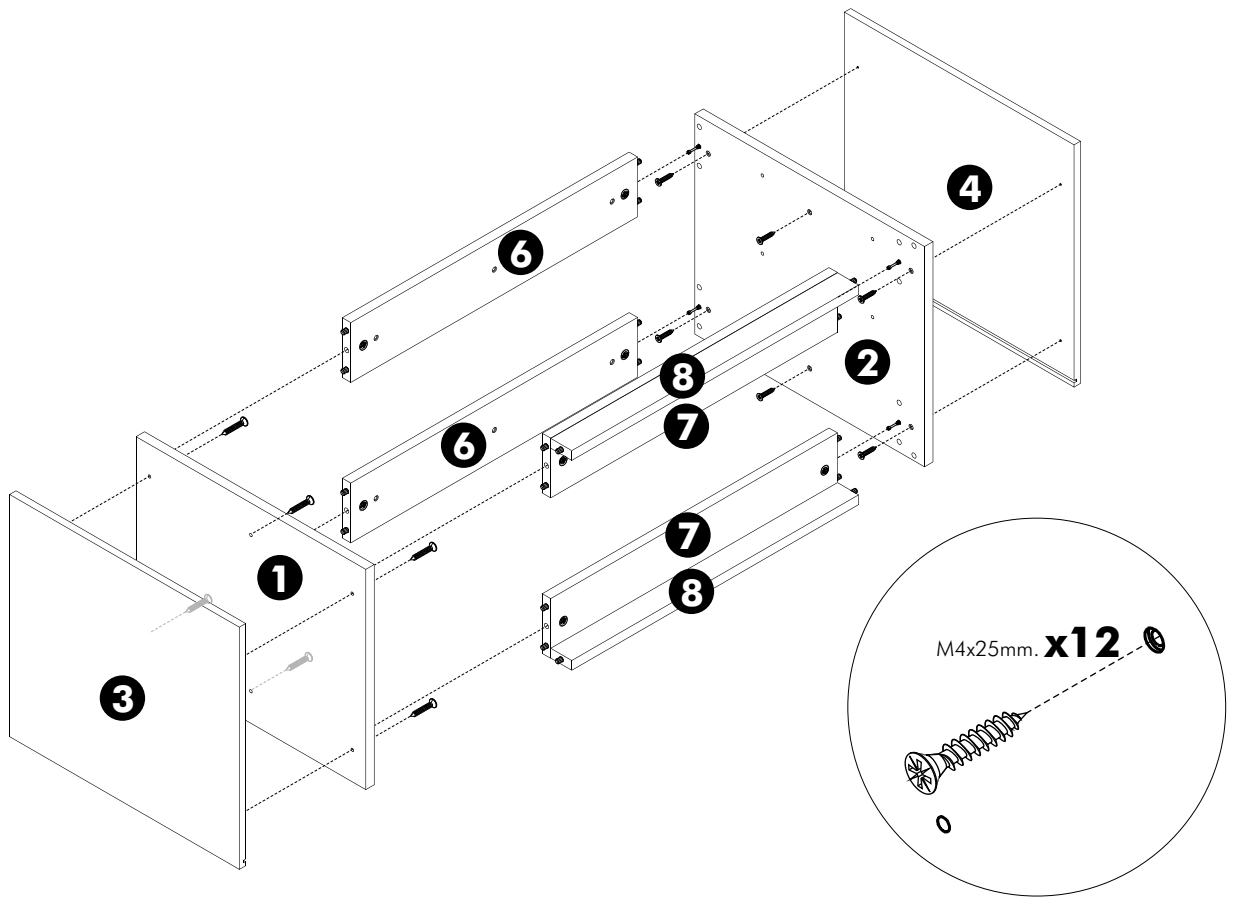


x 4

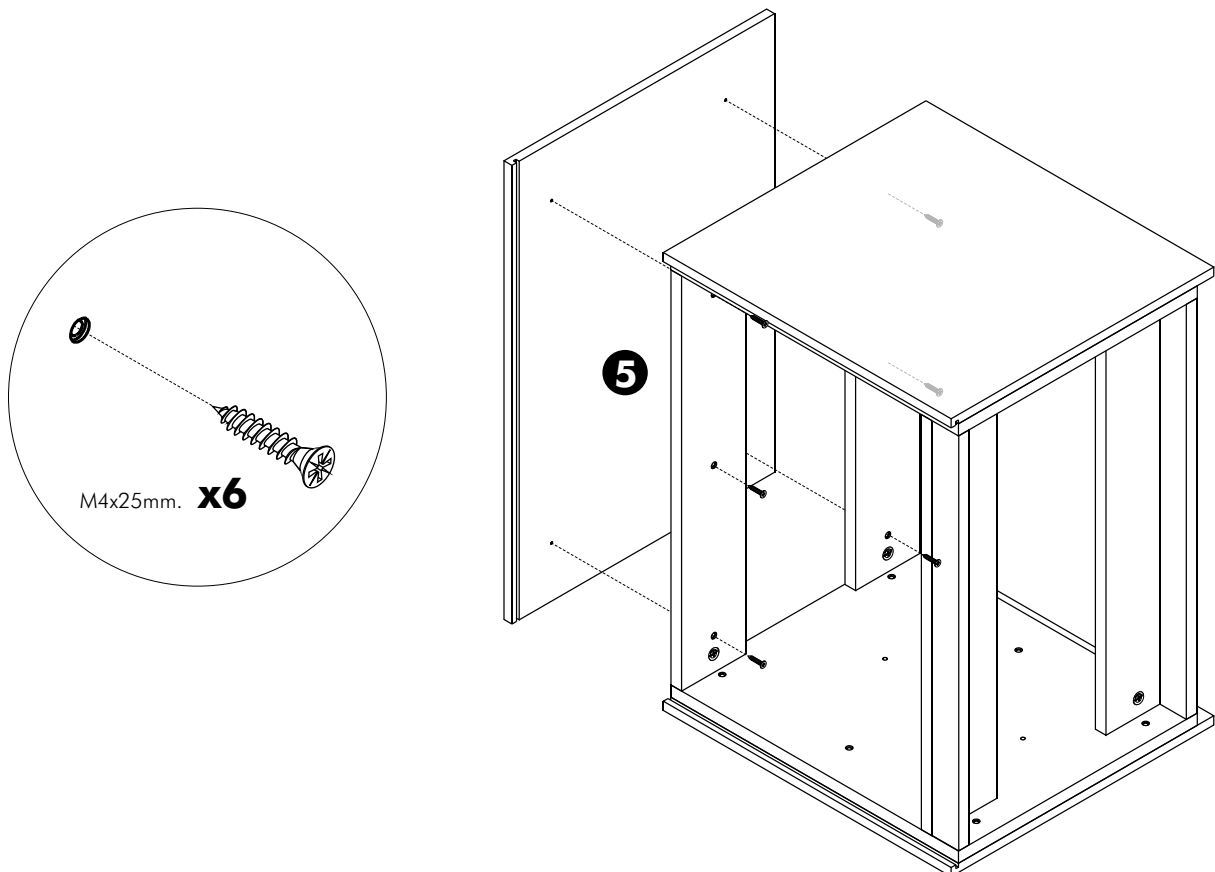
ASSEMBLY

-BODY SET

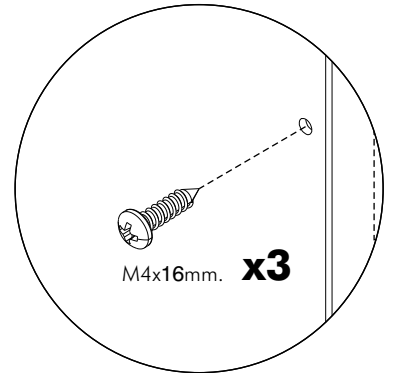
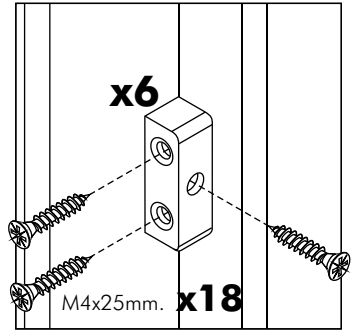
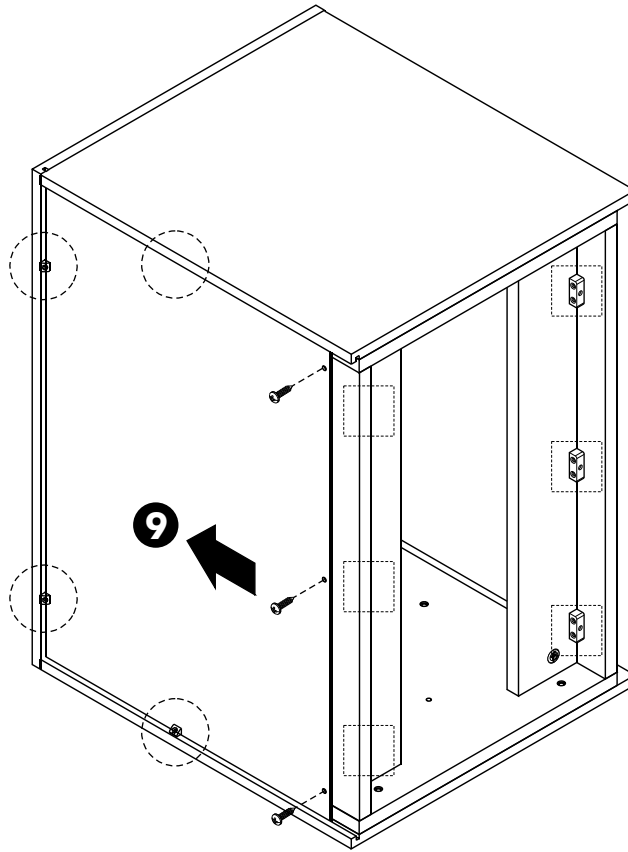
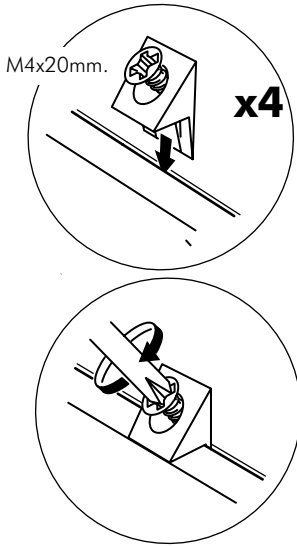
1.



2.



3.



ASSEMBLY

-DRAWER SET

