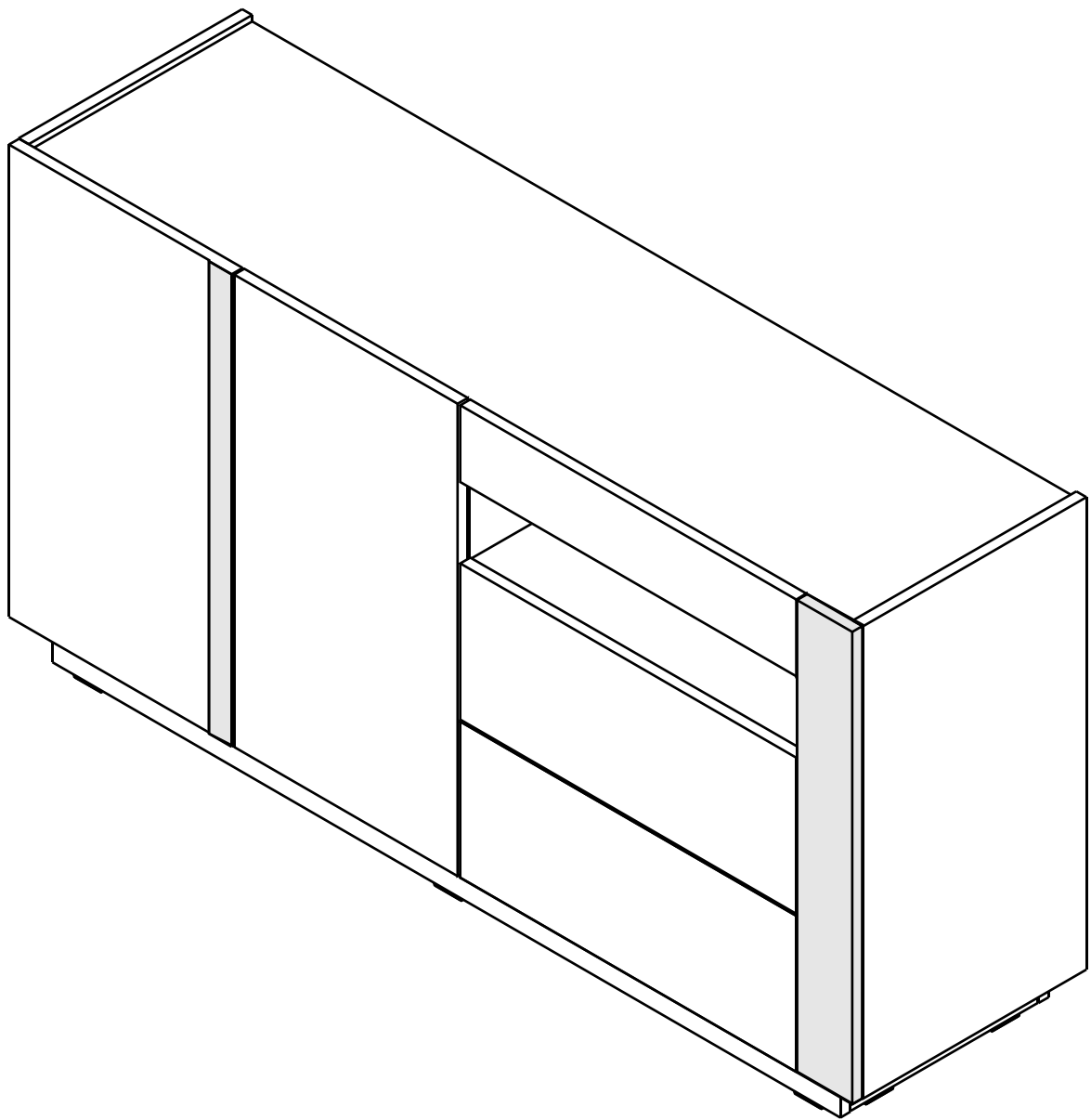
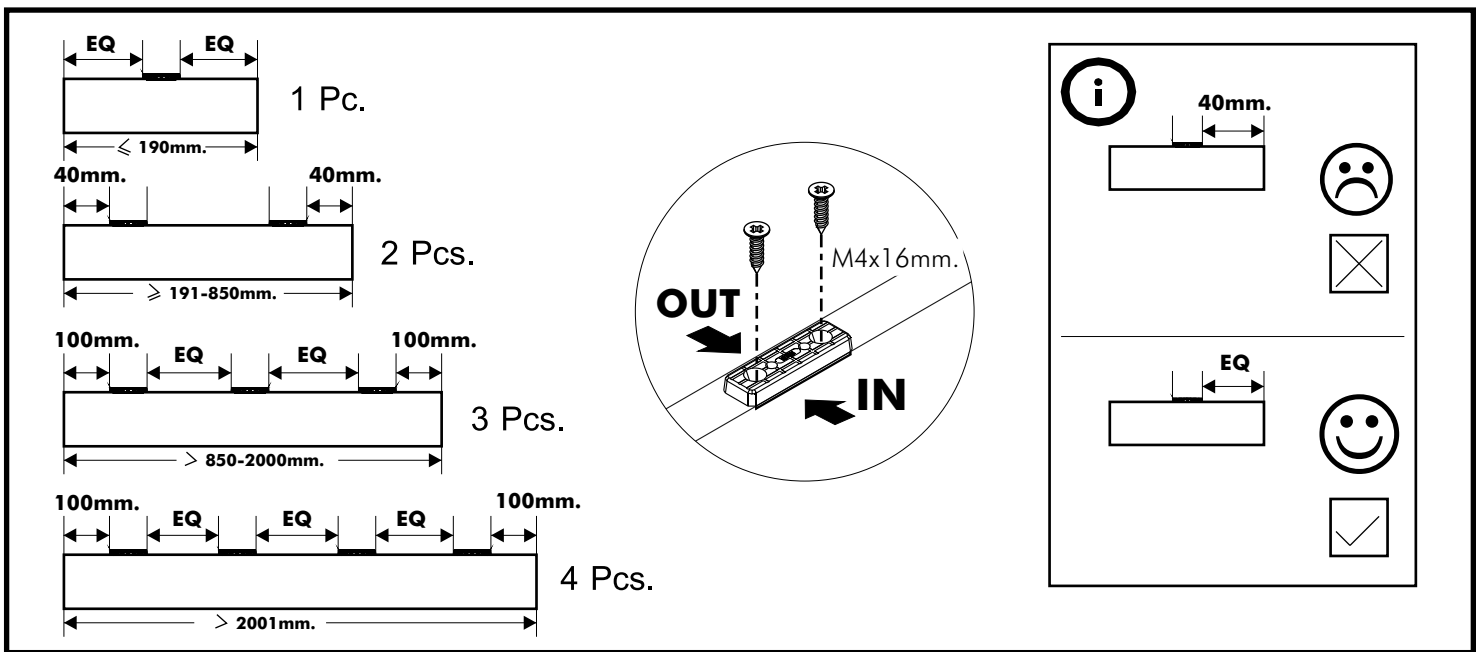


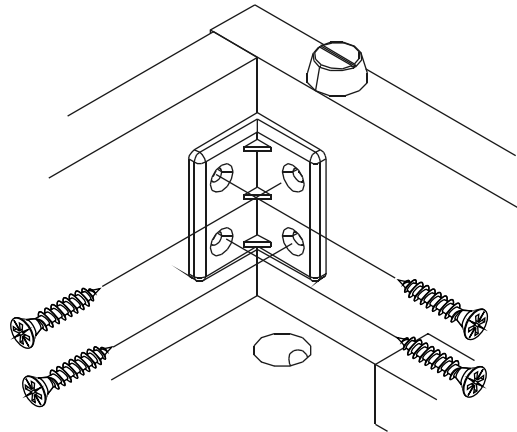
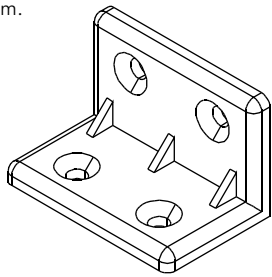
TRAVERTINE

Sideboard 150 cm.

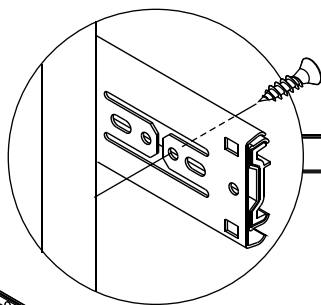
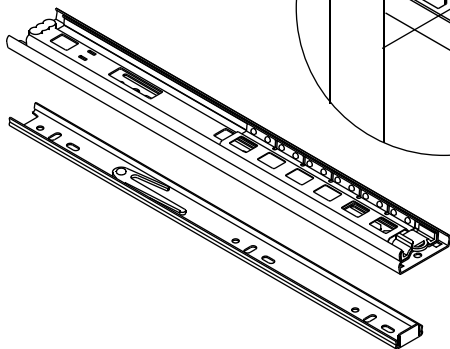
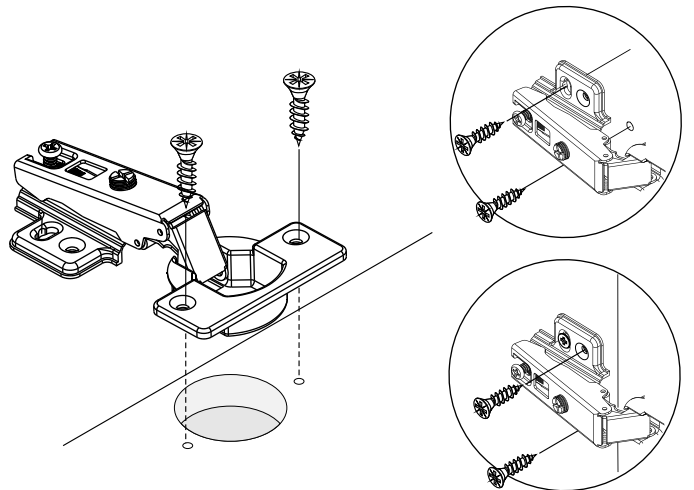
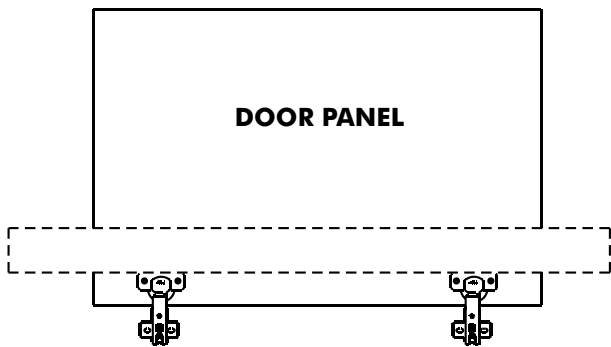


CONNECT SYSTEM



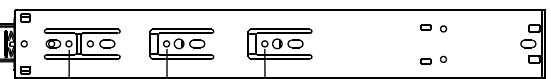


DOOR PANEL

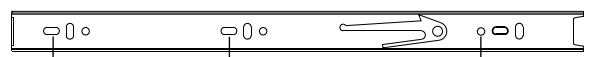


1

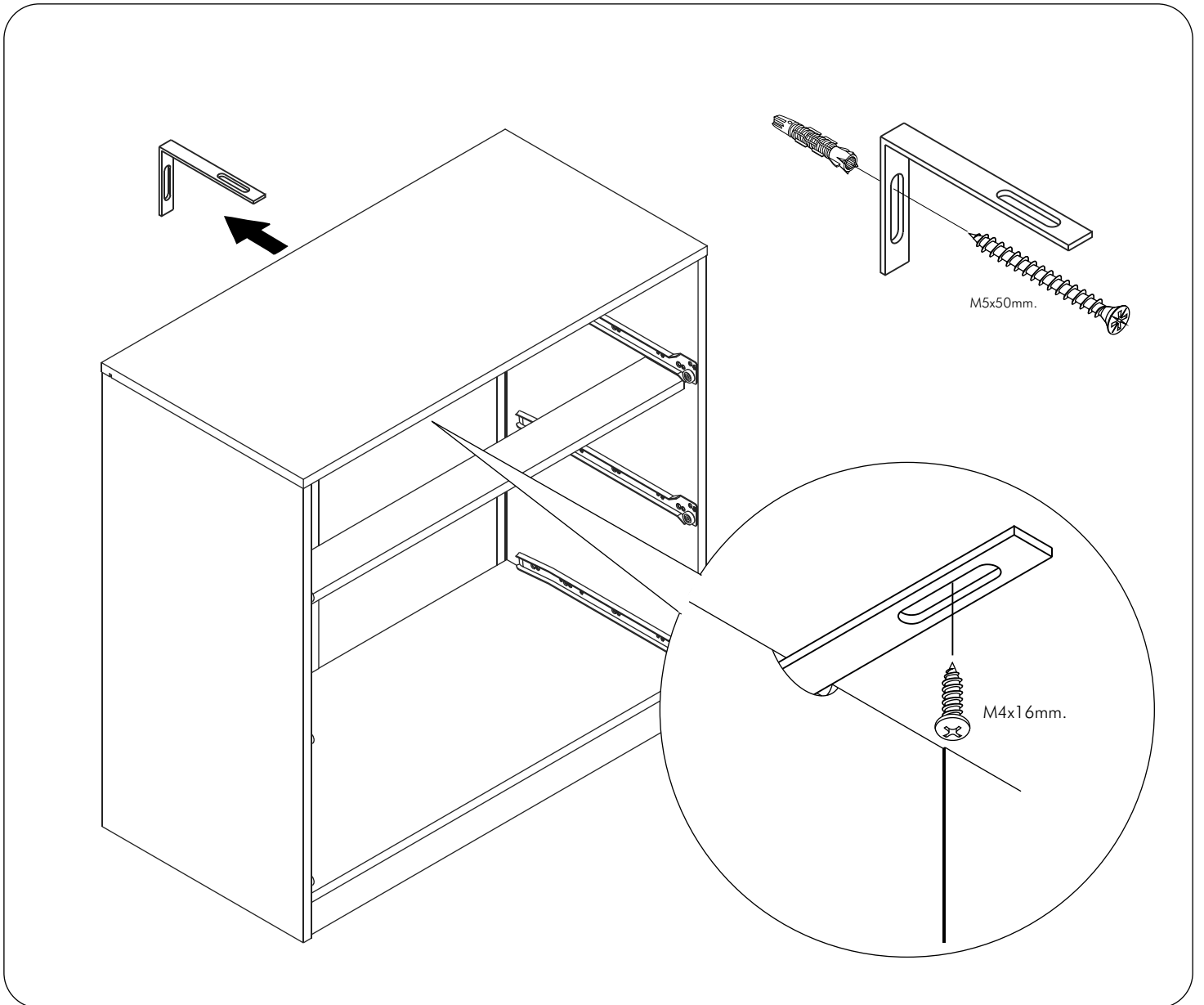
2



Use these holes

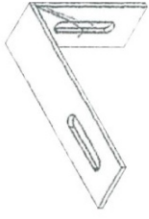


Use these holes

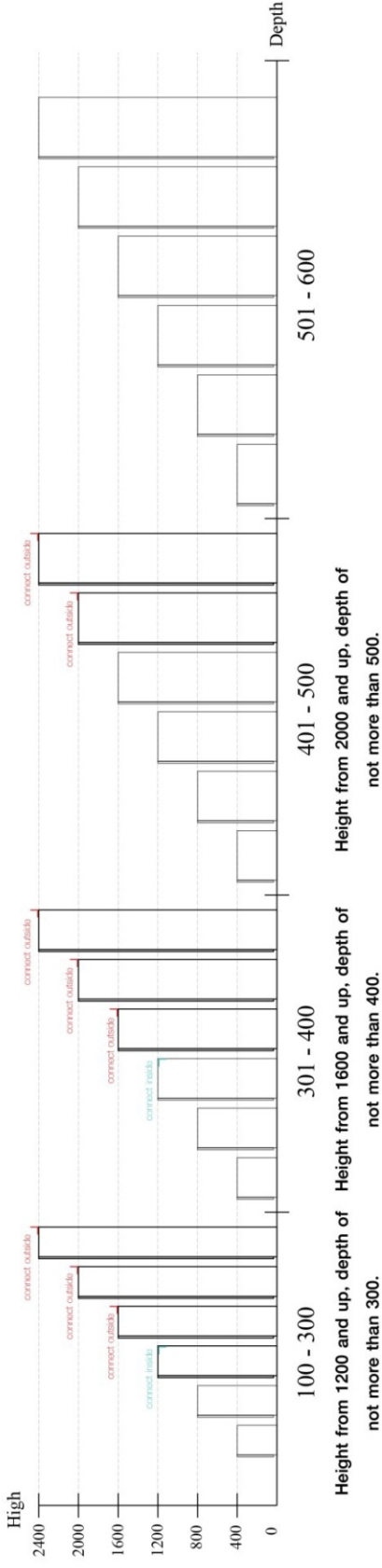


The Standard for identifying which mounted safety fall protection fitting to use **Note : That children's products must be installed with all anti-falling fittings.**

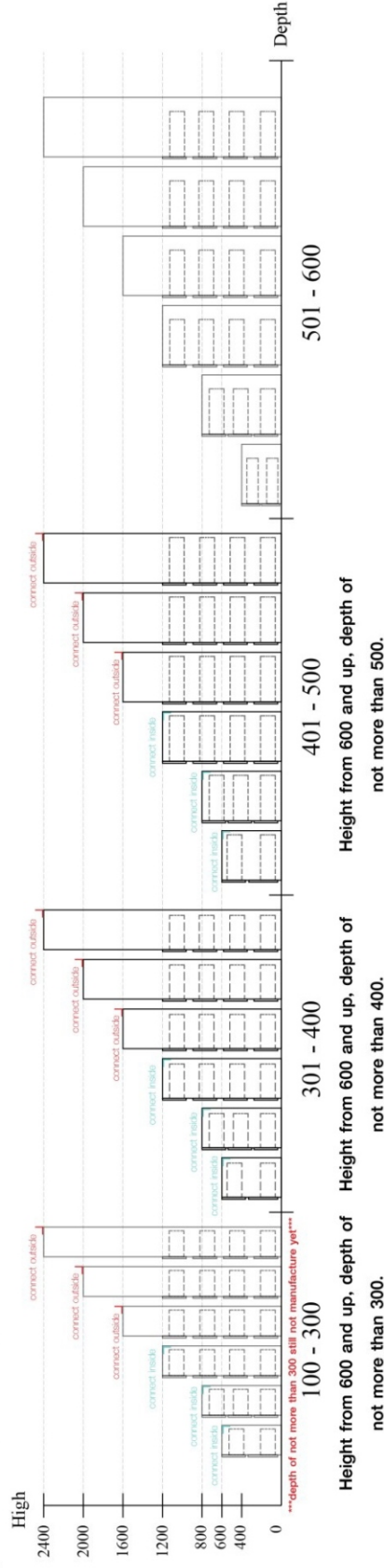
■ Mounted fall protection fittings



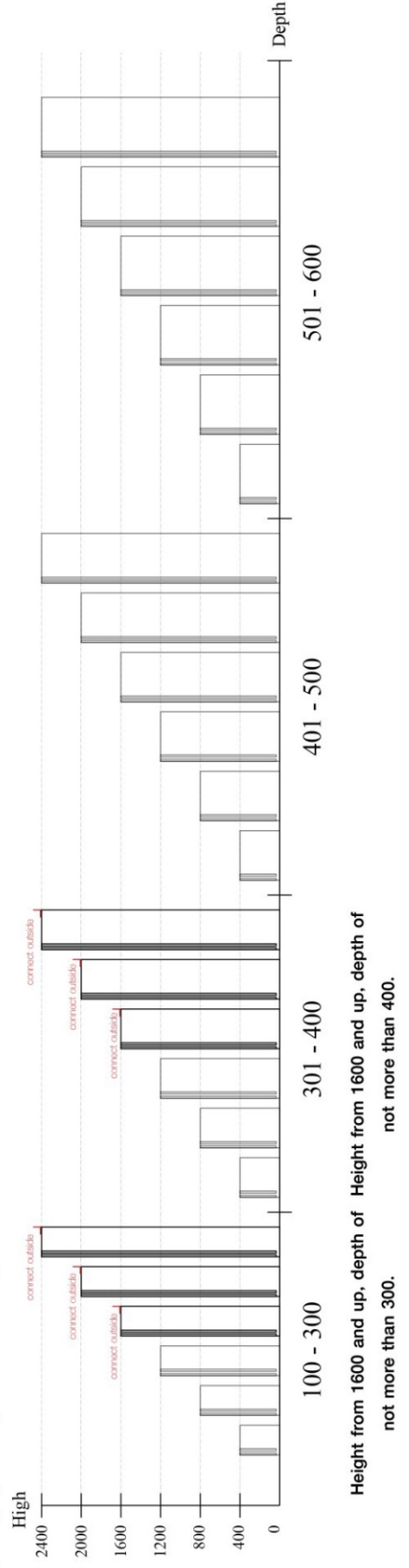
■ Category : Cabinet with open doors

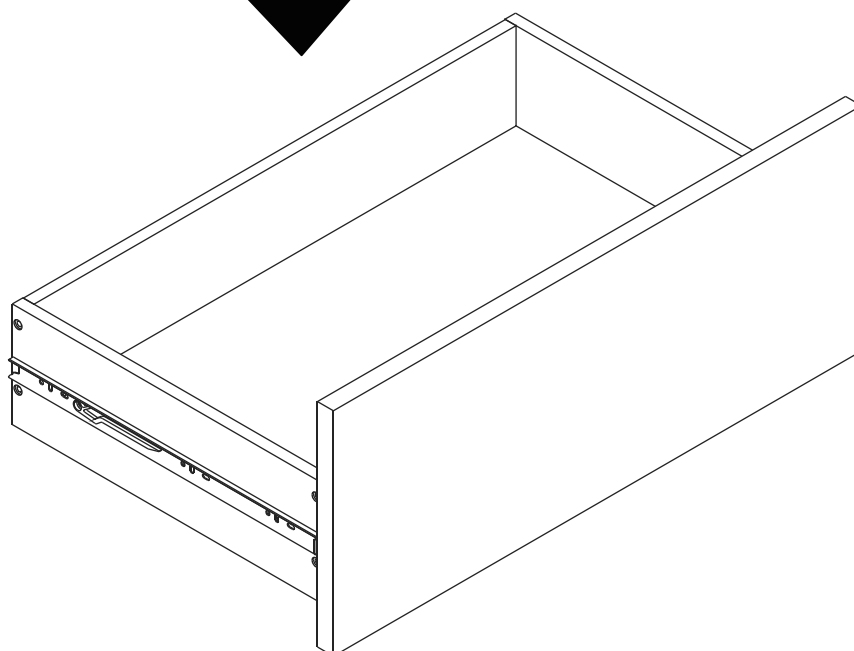
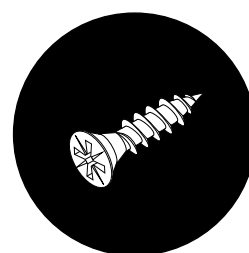
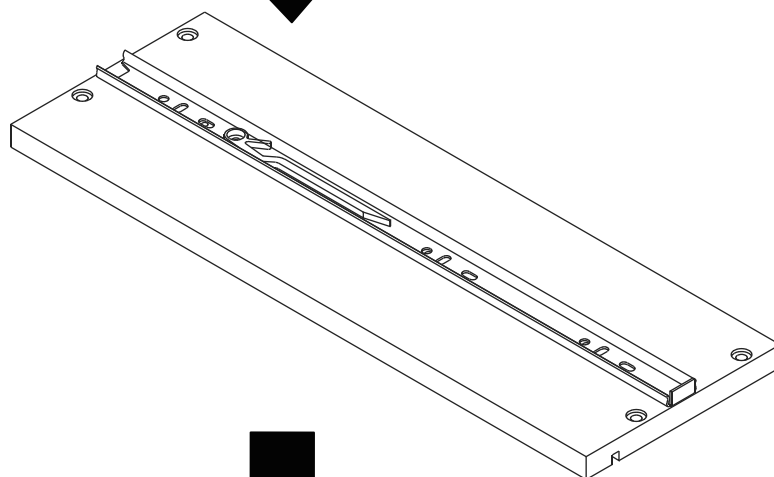
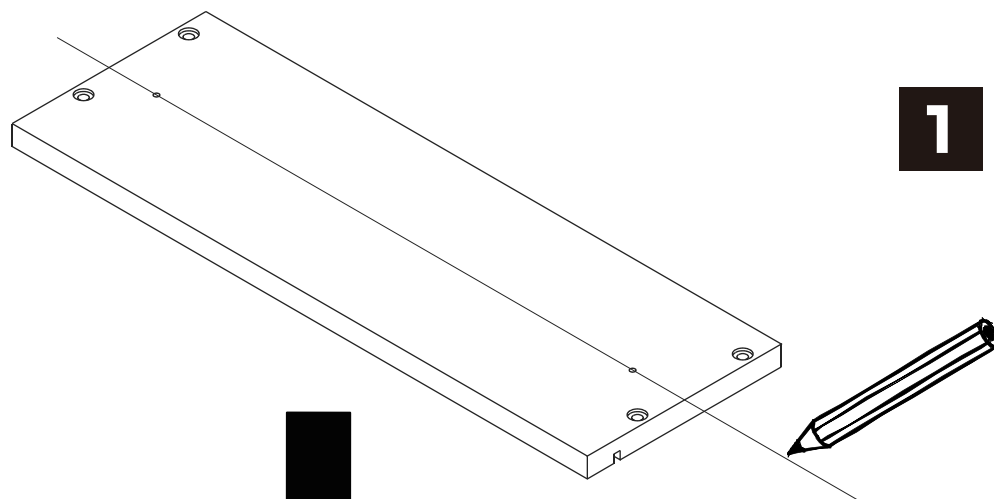


■ Category : Chest of drawers



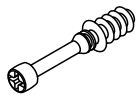
■ Category : Sliding door cabinet / Open cabinet





HARDWARE

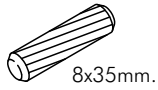
-BODY SET



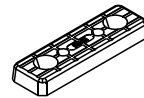
x 12



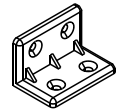
x 12



x 20



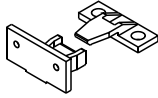
x 12



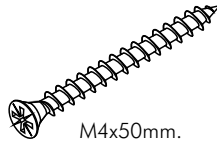
x 10



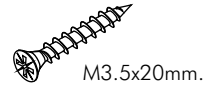
x 80



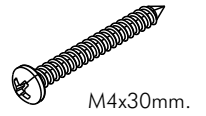
x 4/4



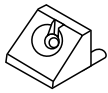
x 4



x 14



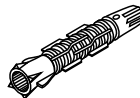
x 28



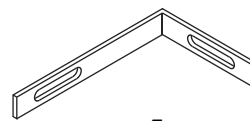
x 10



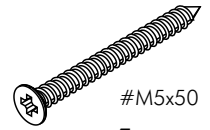
x 6



x 1



x 1



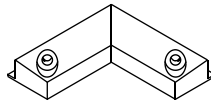
x 1



x 4



x 10

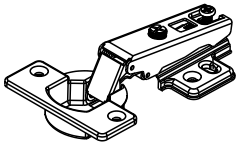


x 2



x 3

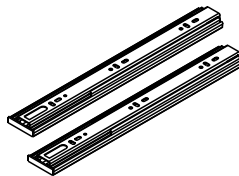
-DOOR SET



x 4



x 24



x 3 SET



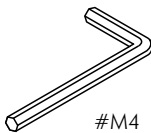
x 36



x 30



x 15



x 1

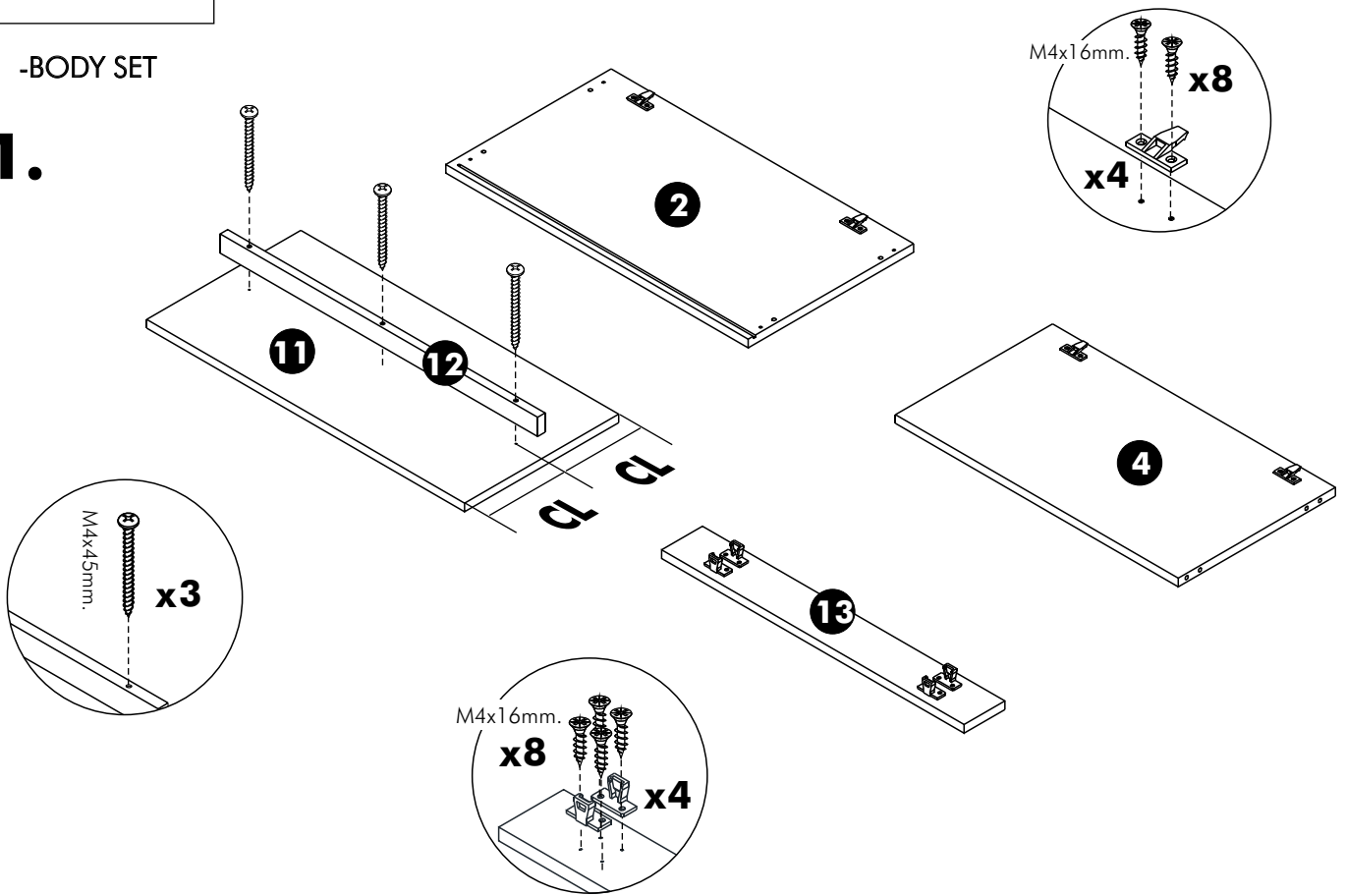


x 1

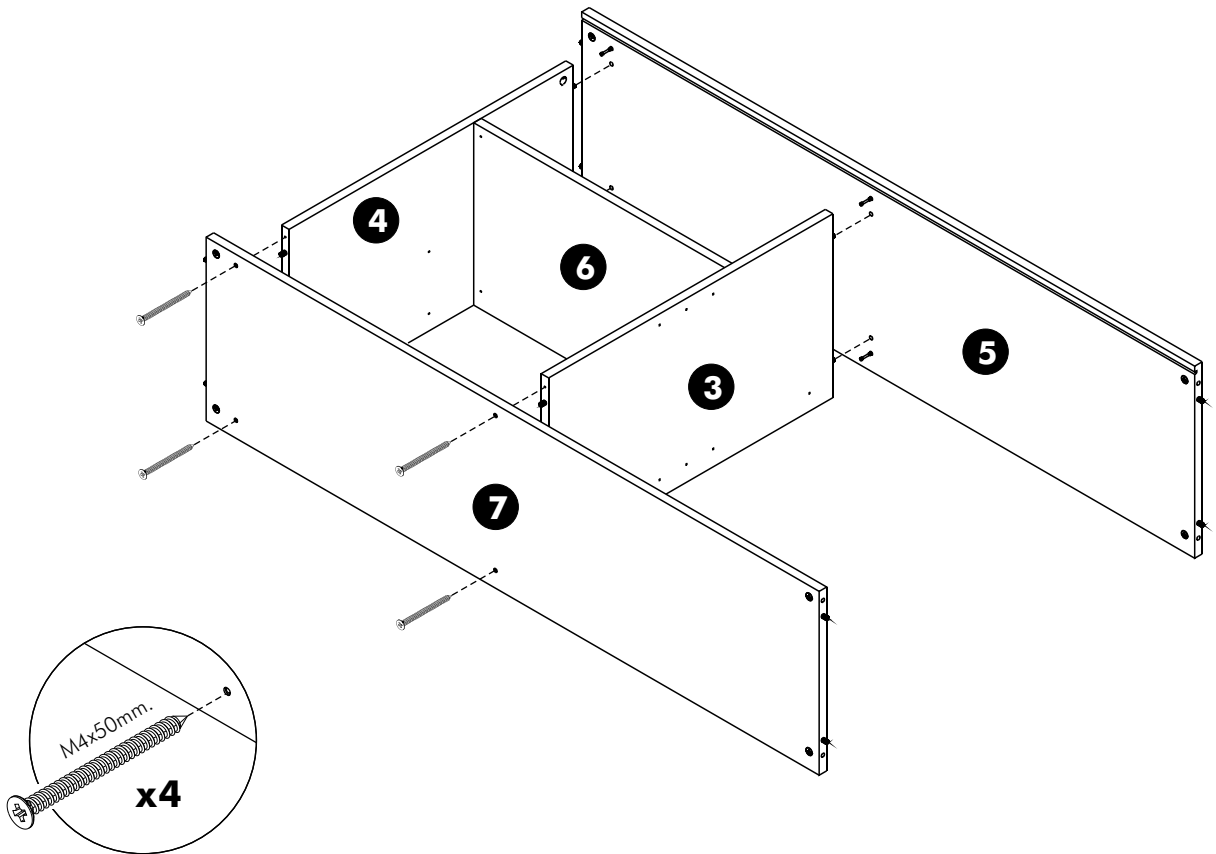
ASSEMBLY

-BODY SET

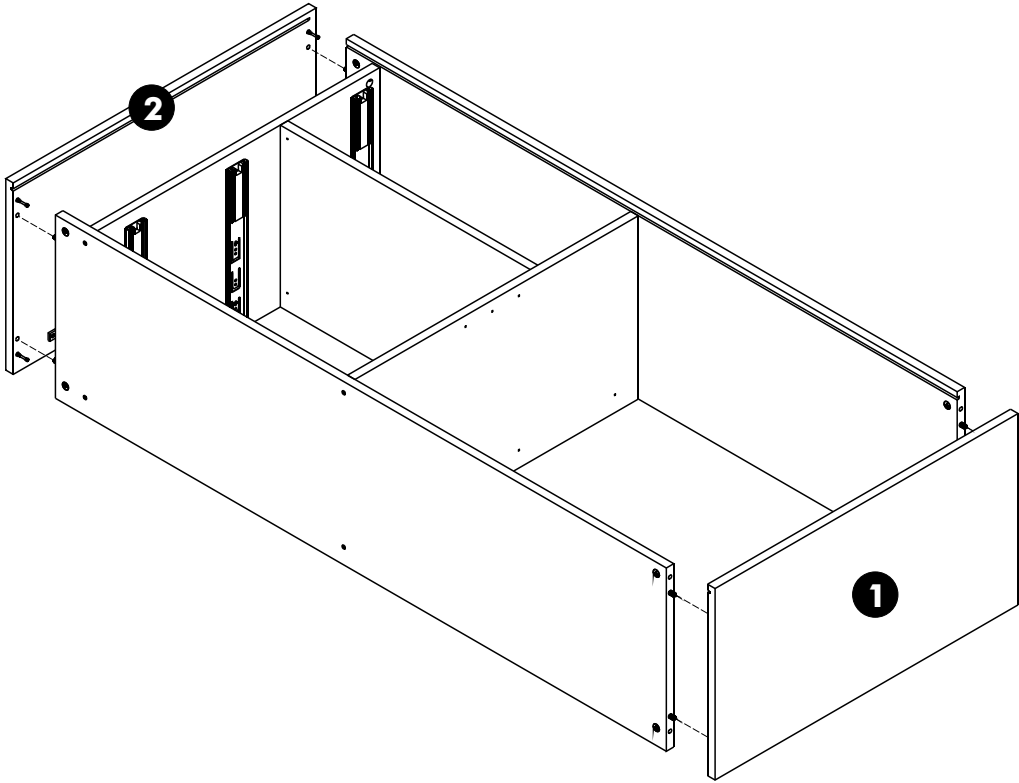
1.



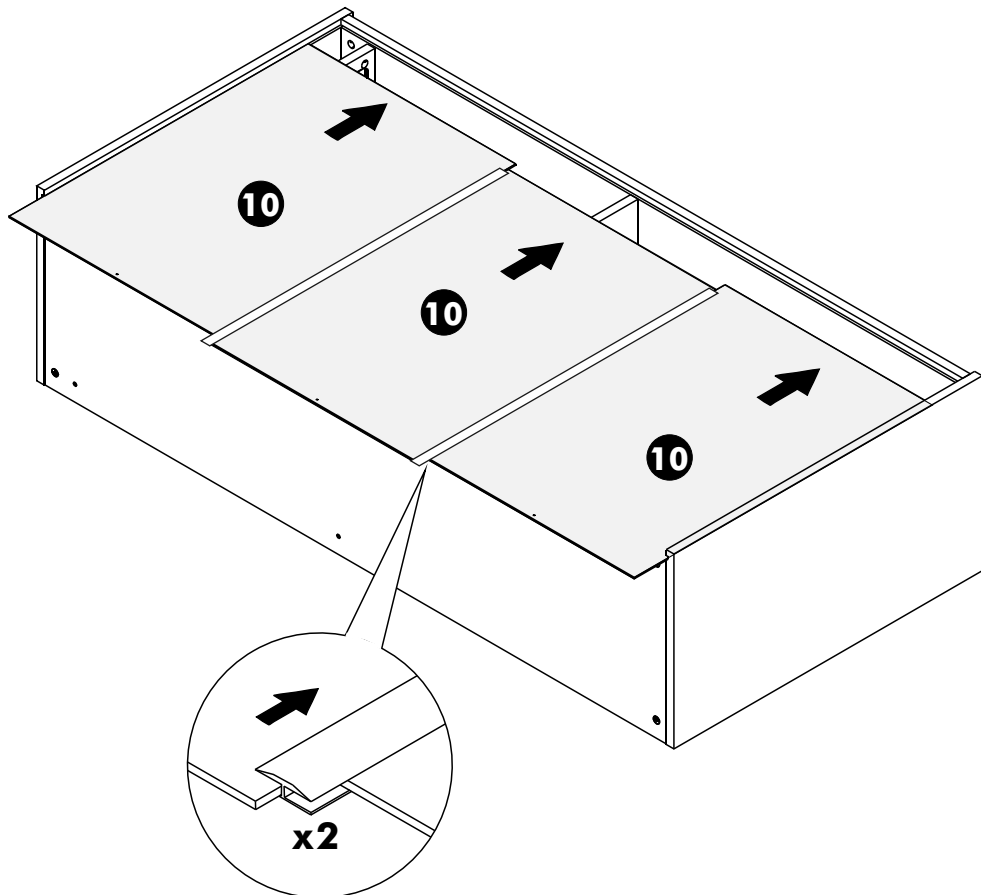
2.



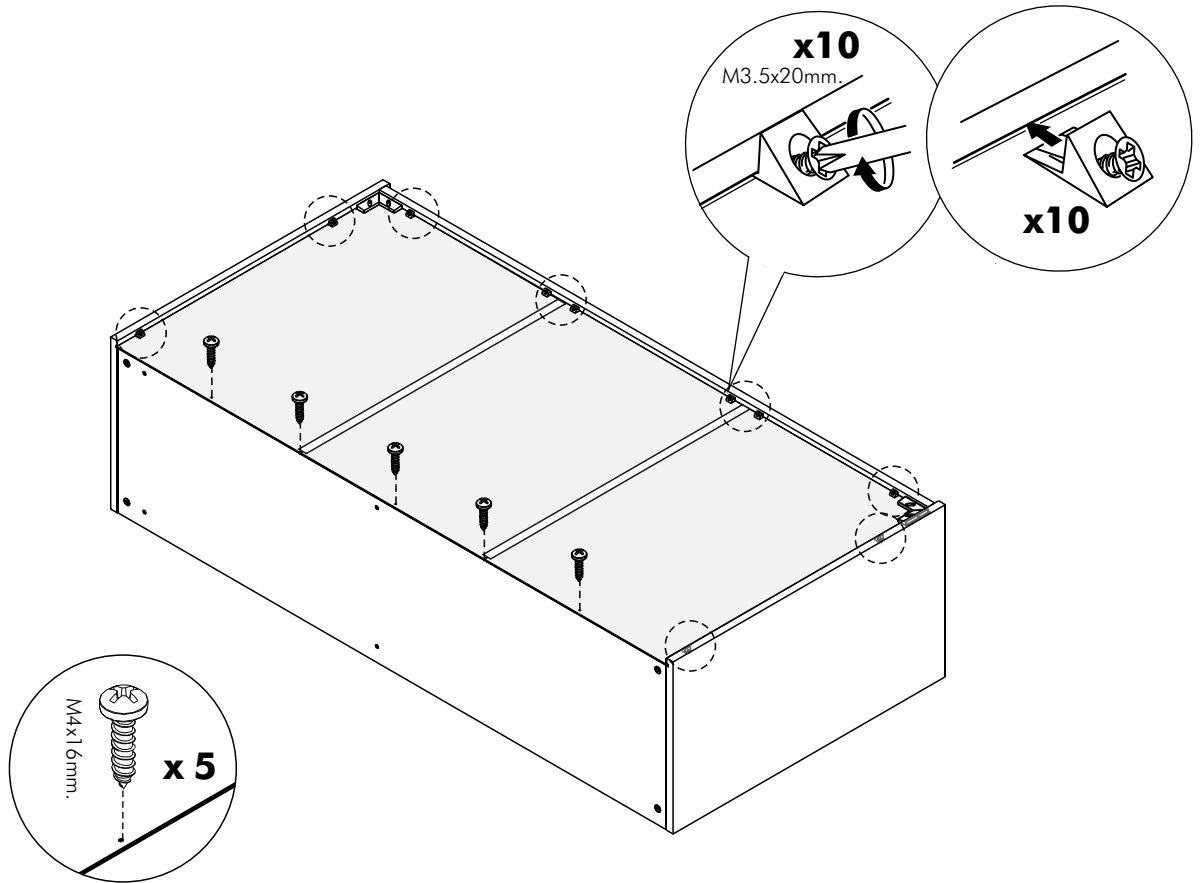
3.



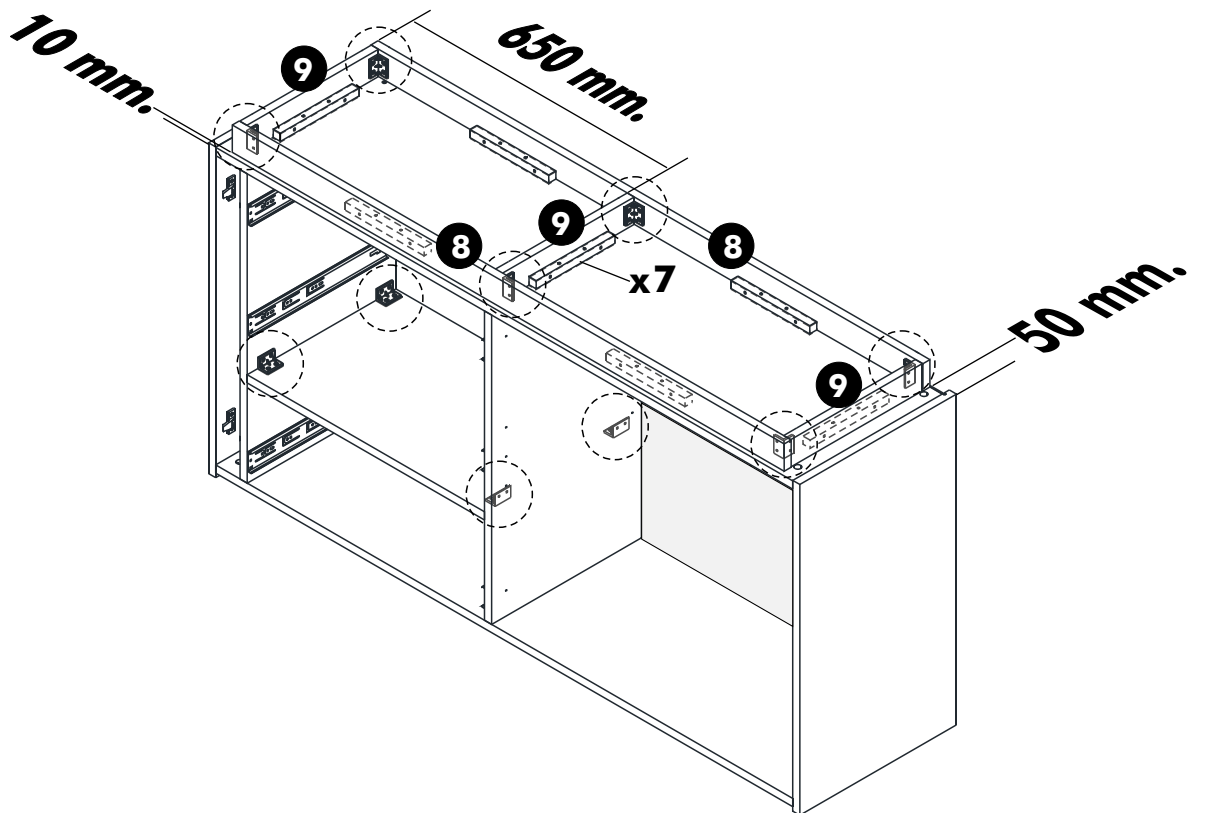
4.



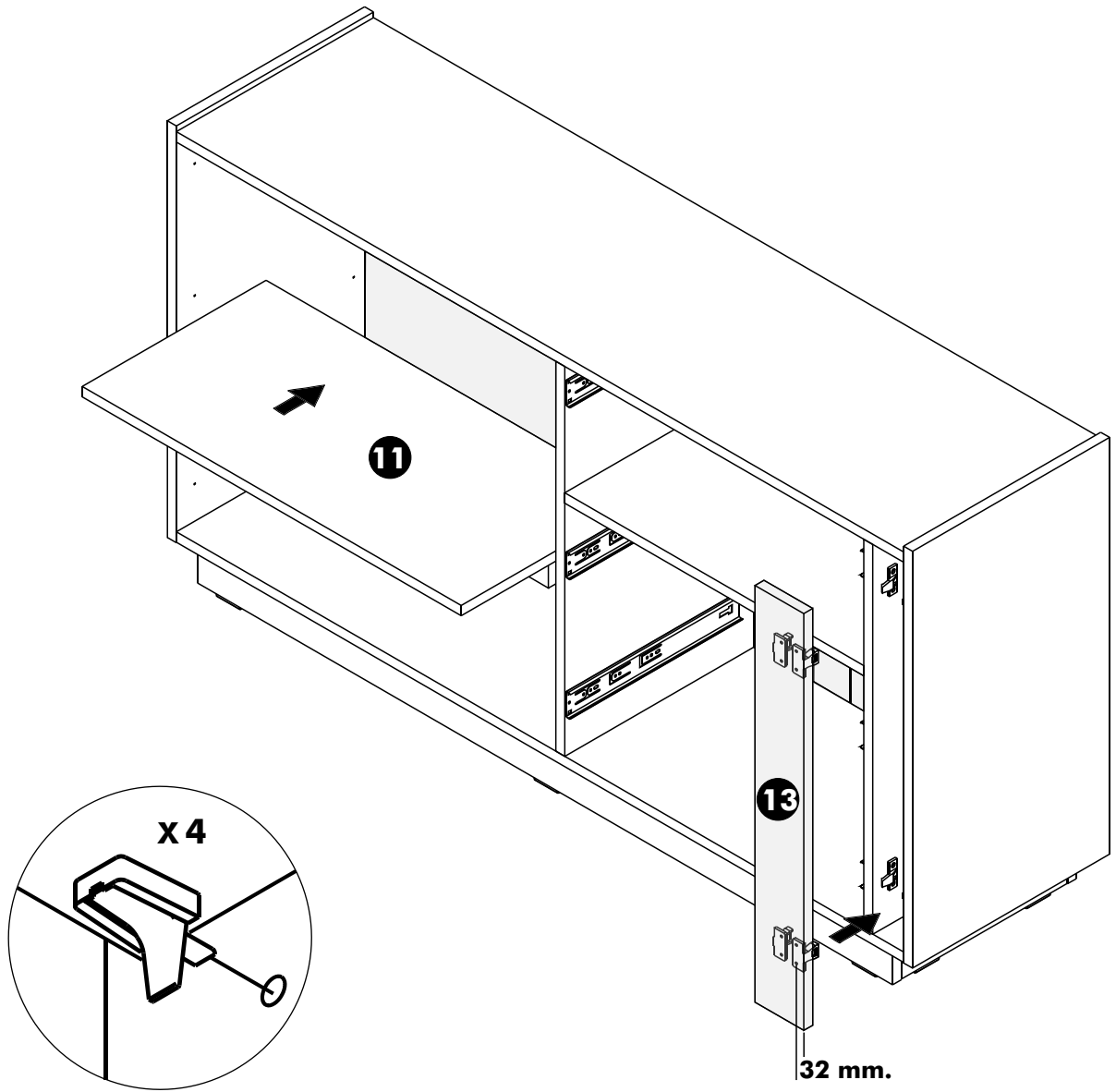
5.



6.



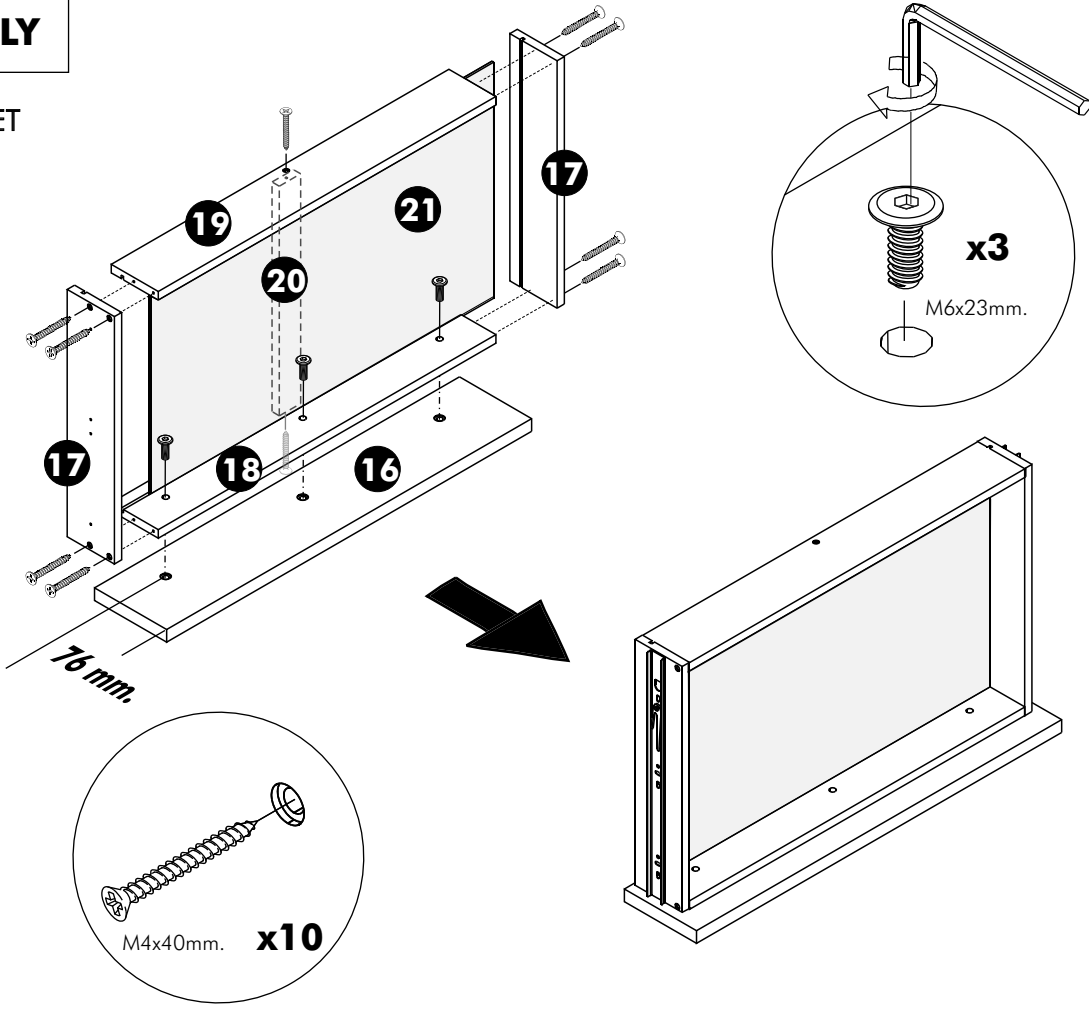
7.



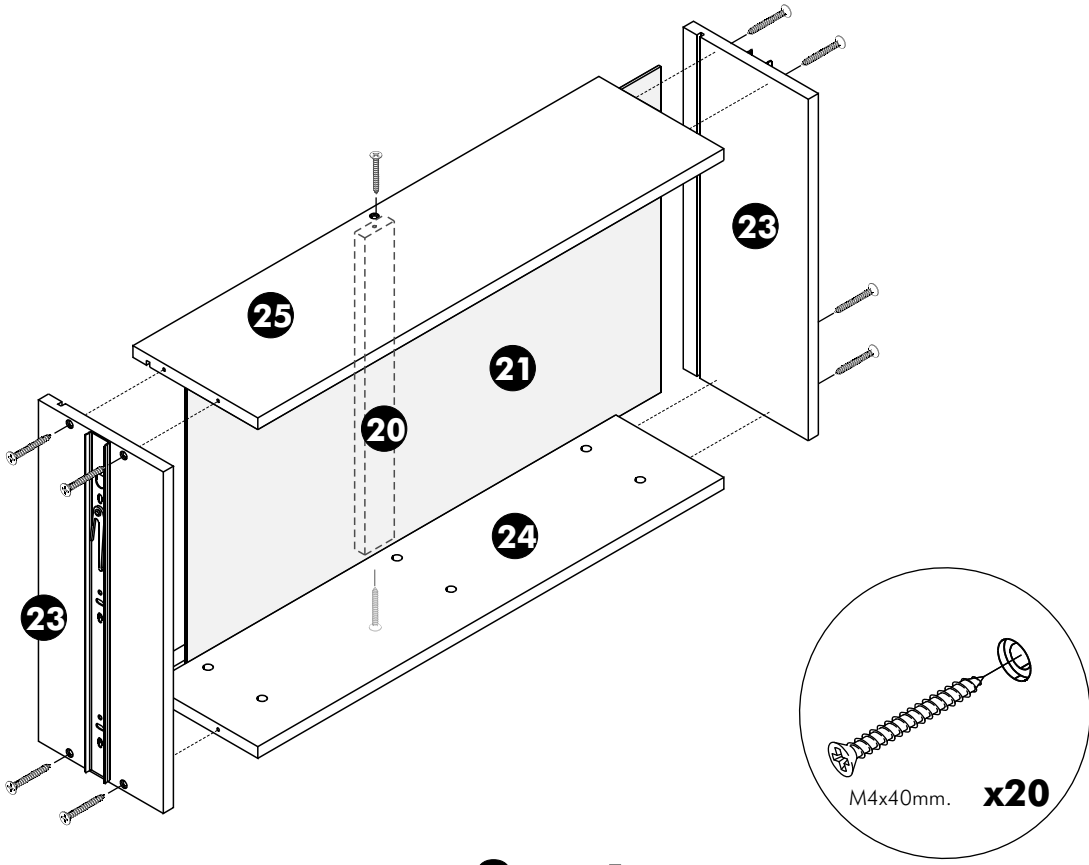
ASSEMBLY

-DRAWER SET

1.

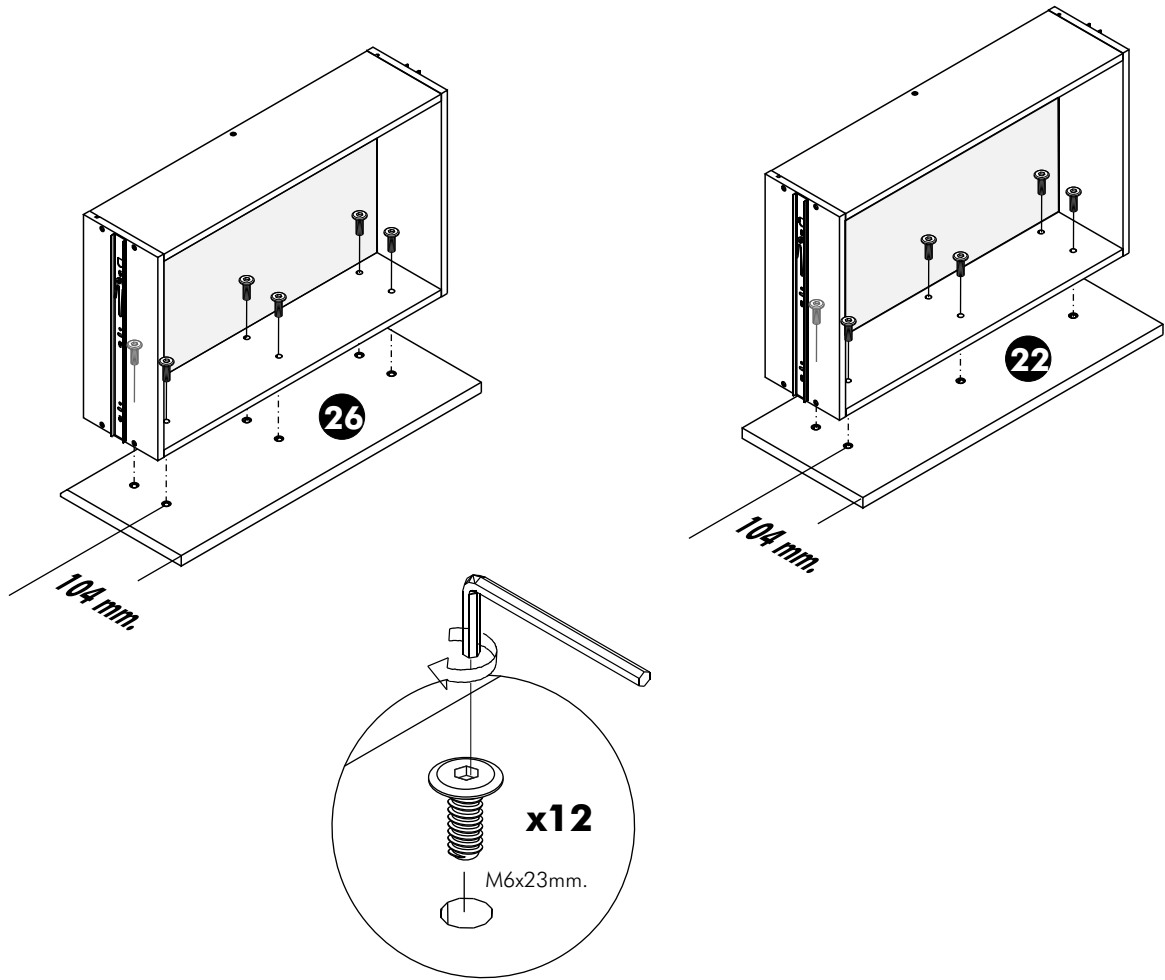


2.

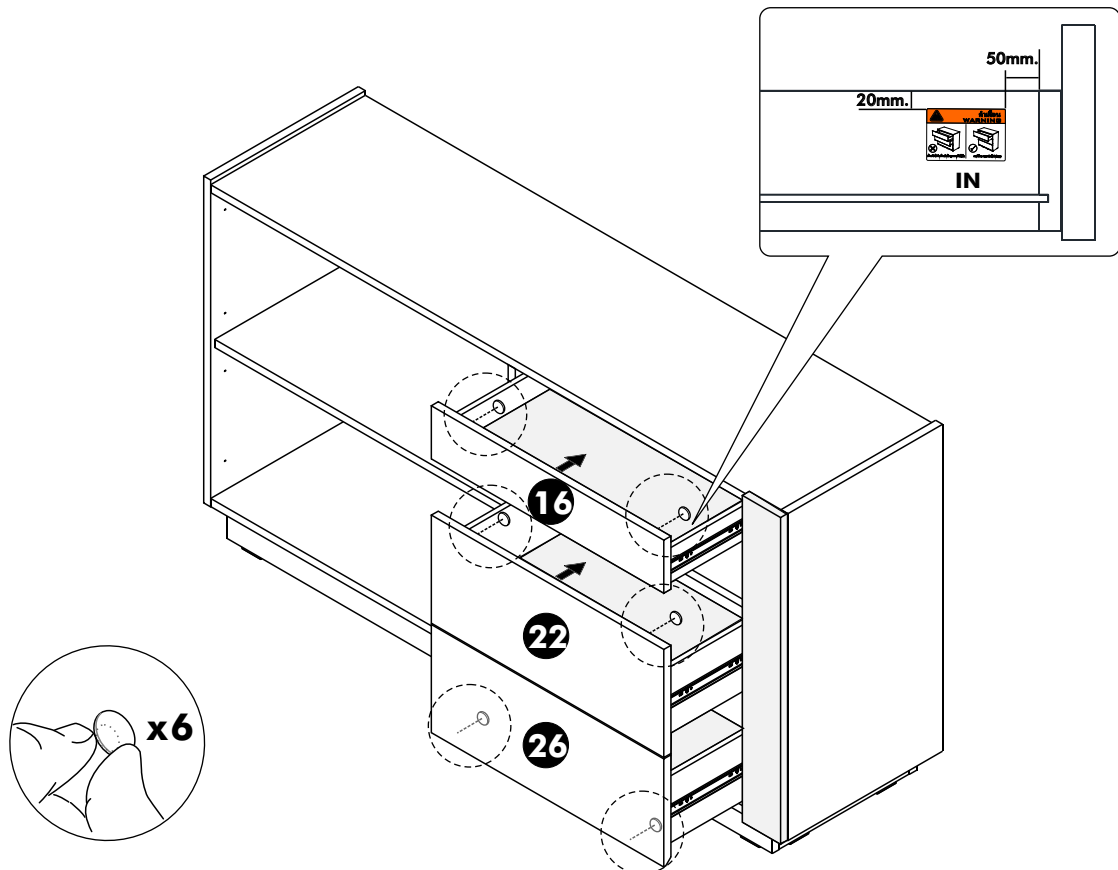


2 set

3.



4.



ASSEMBLY

-DOOR SET

1.

