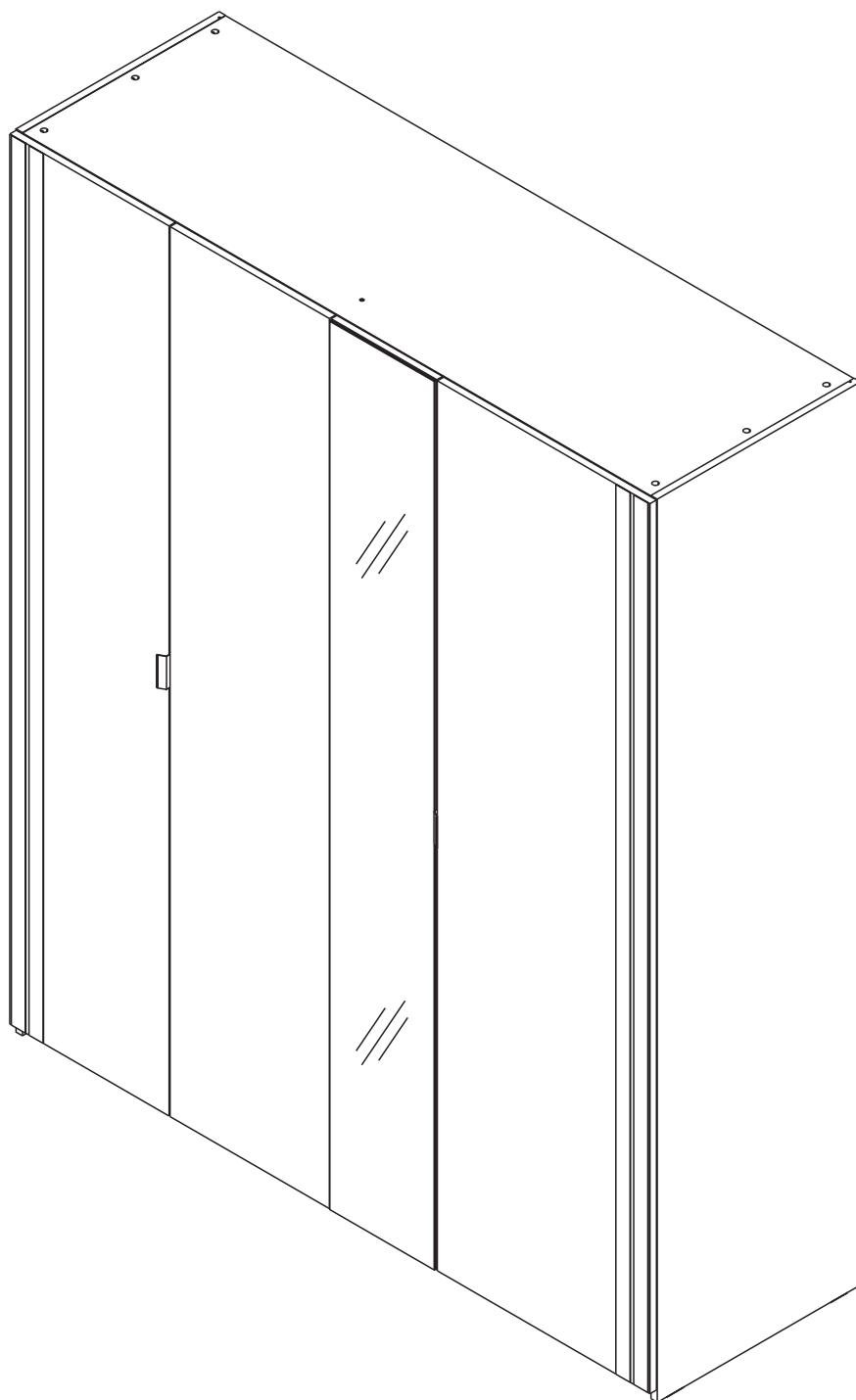
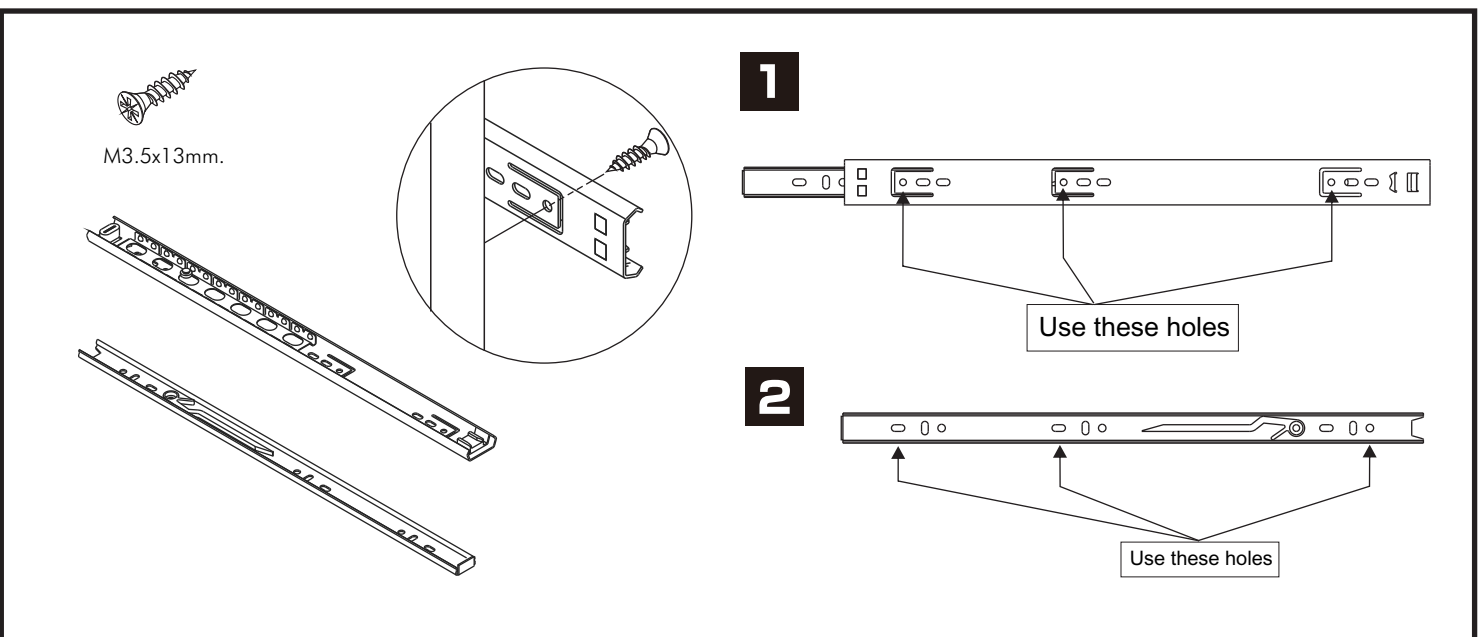
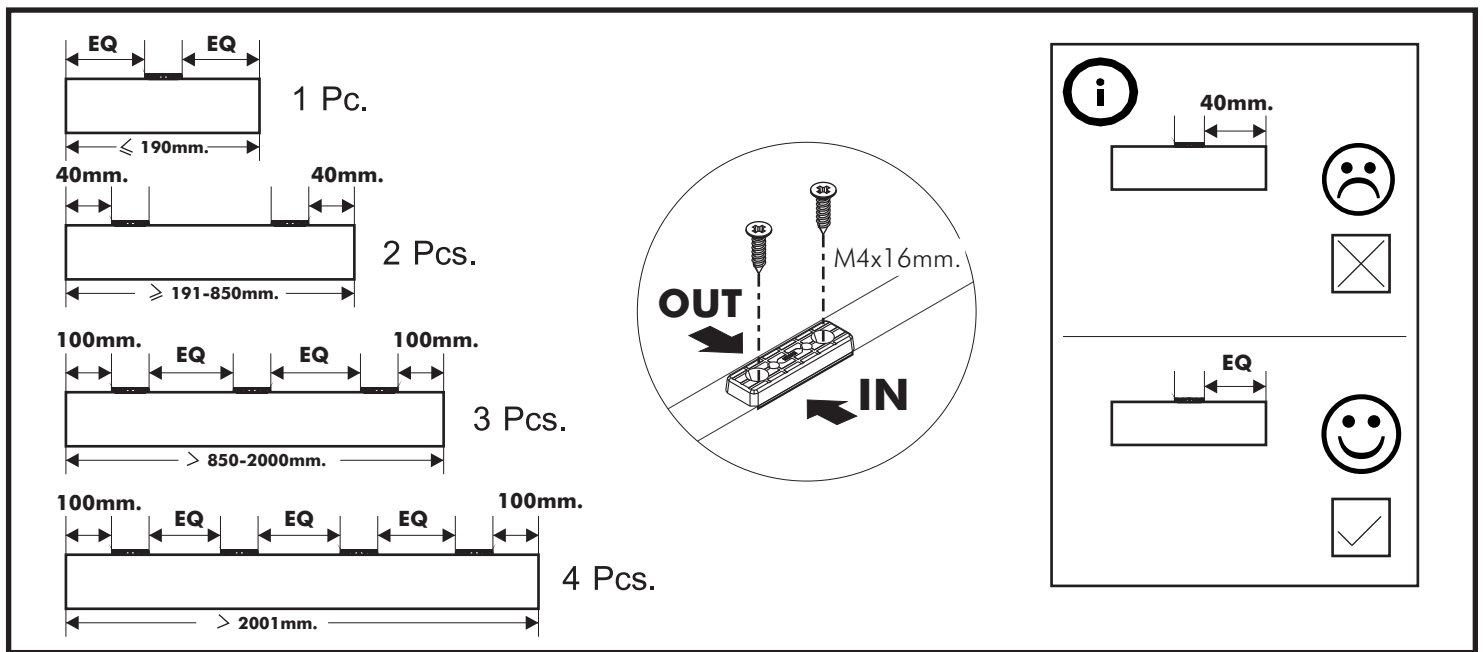
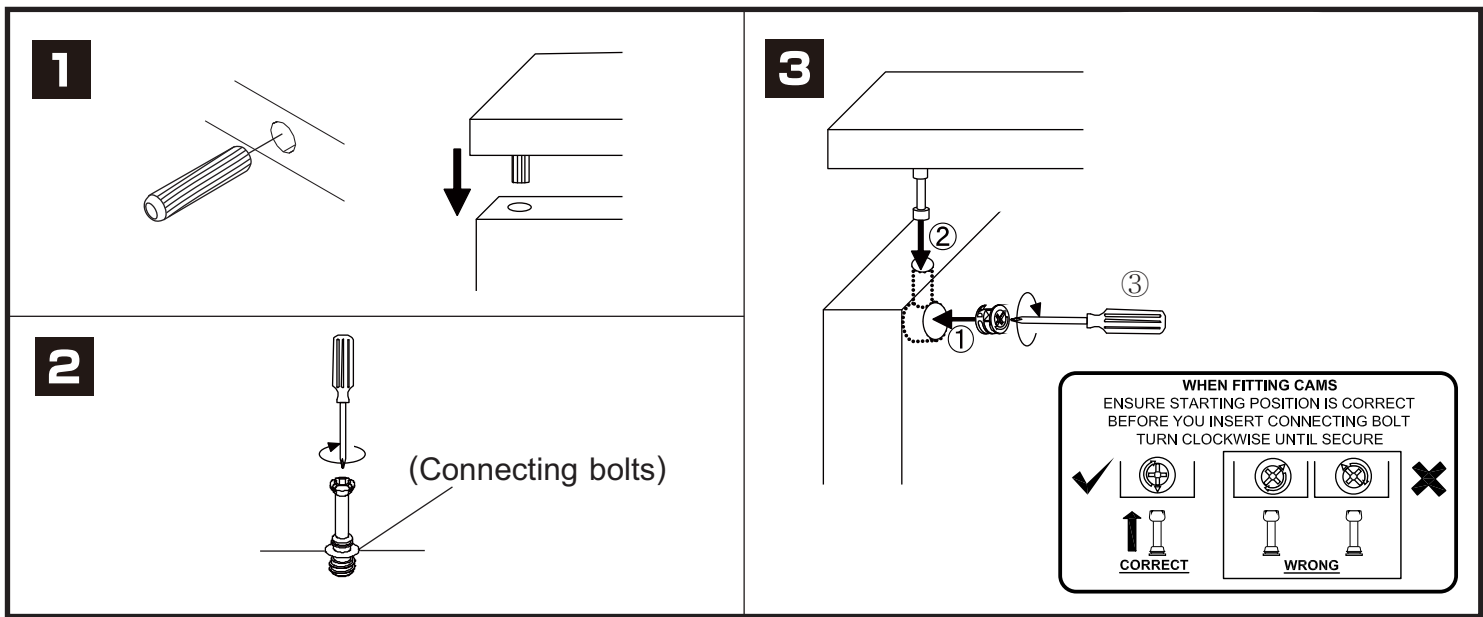


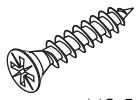
TRAVERTINE

Wardrobe 4 doors

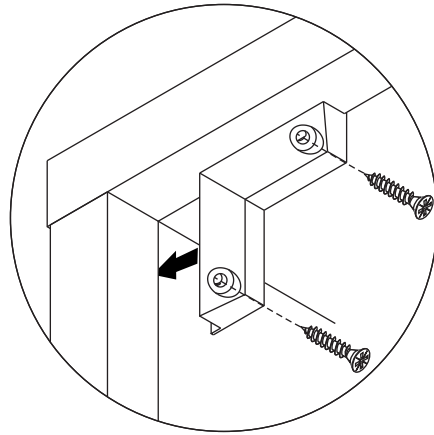
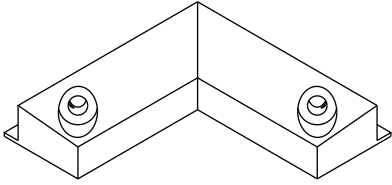


CONNECT SYSTEM

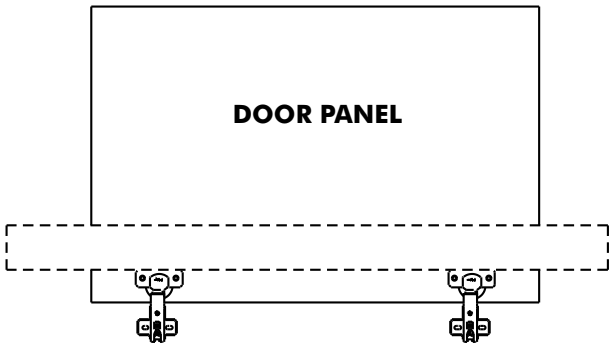




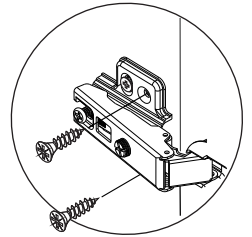
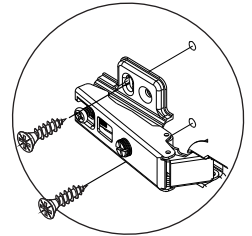
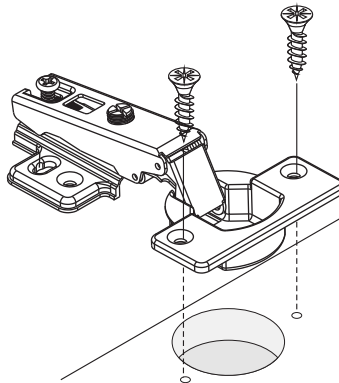
M3.5x20mm.



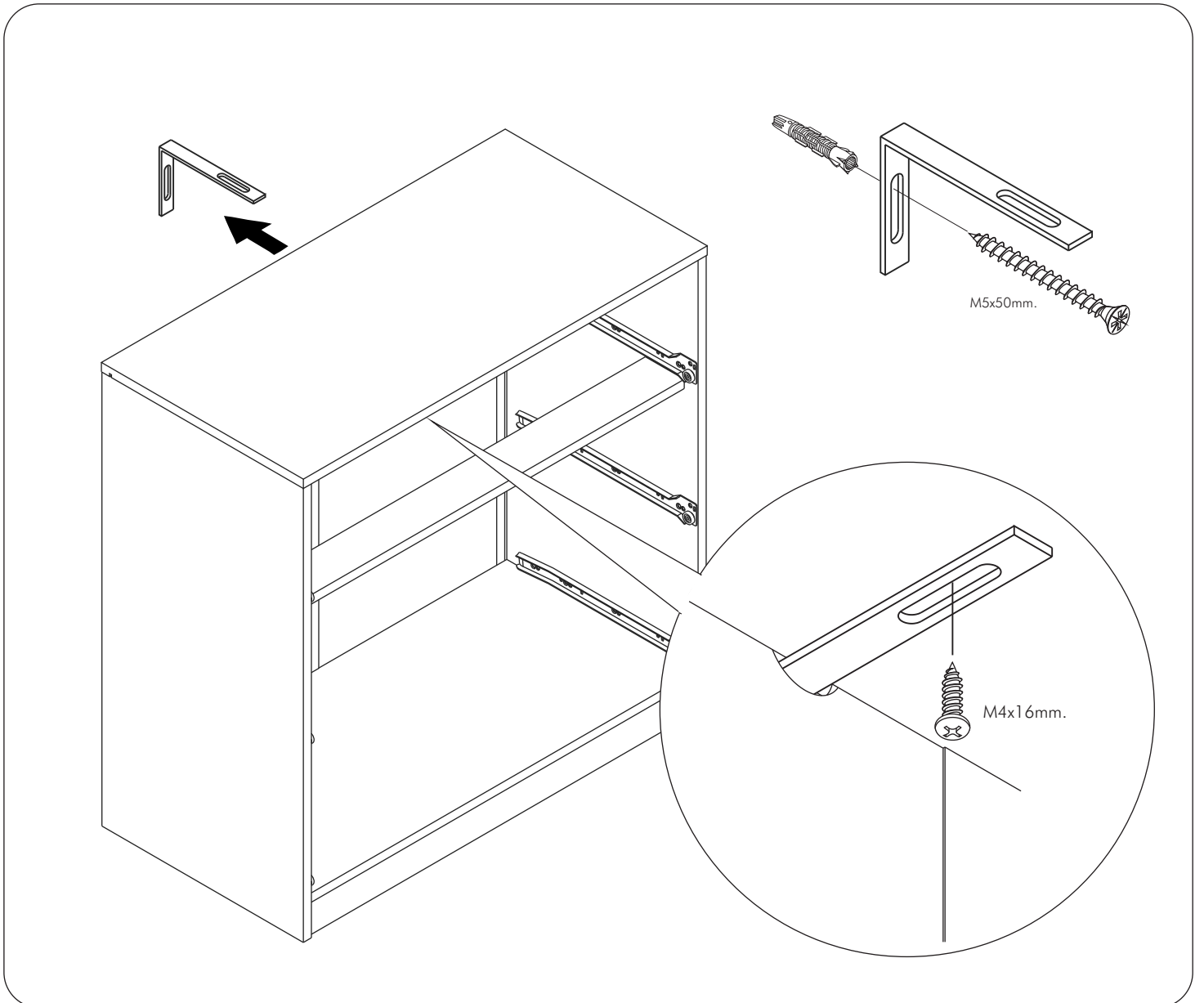
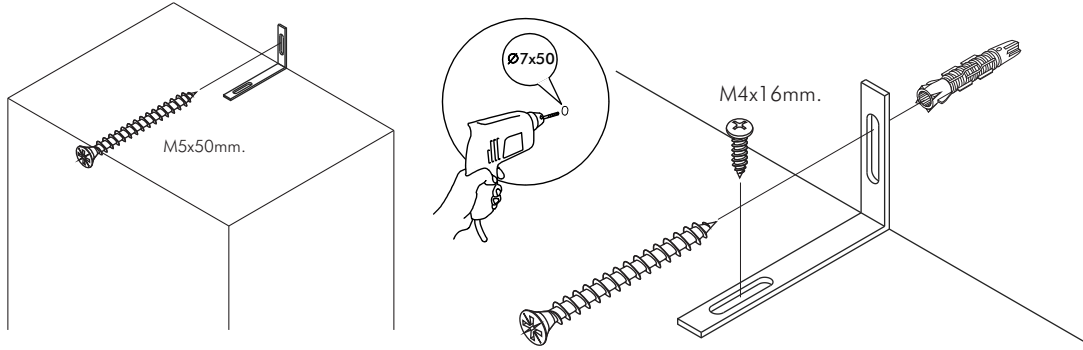
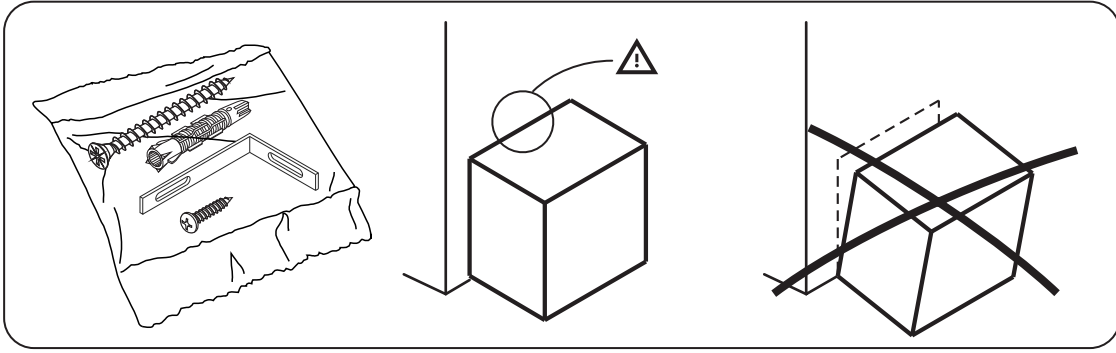
M4x16mm.



DOOR PANEL



x2



The Standard for identifying which mounted safety fall protection fitting to use **Note : That children's products must be installed with all anti-falling fittings.**

■ Mounted fall protection fittings



■ Category : Cabinet with open doors

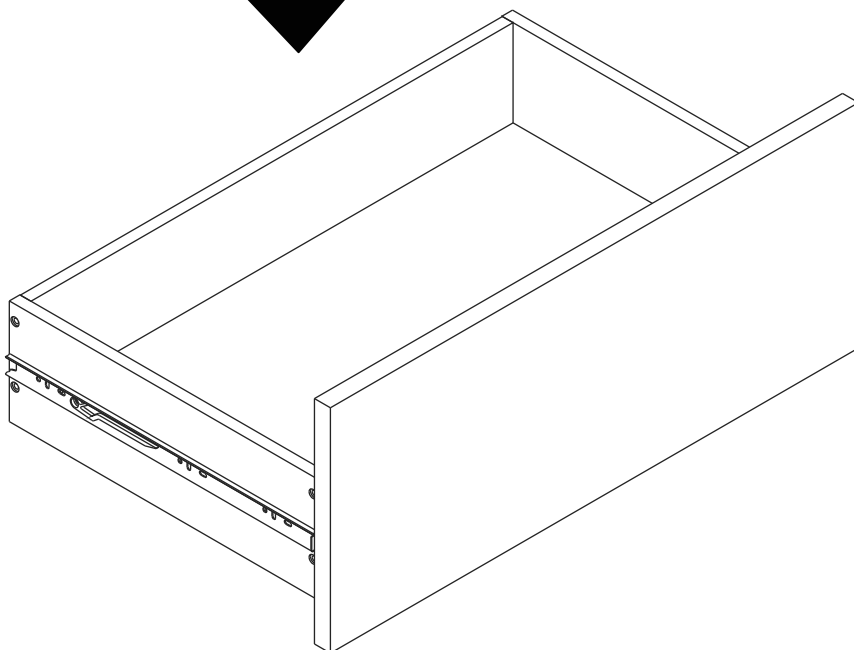
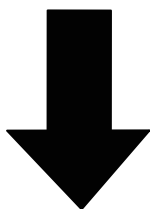
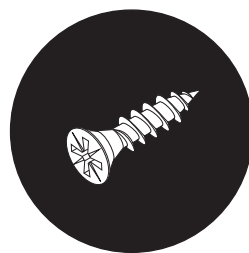
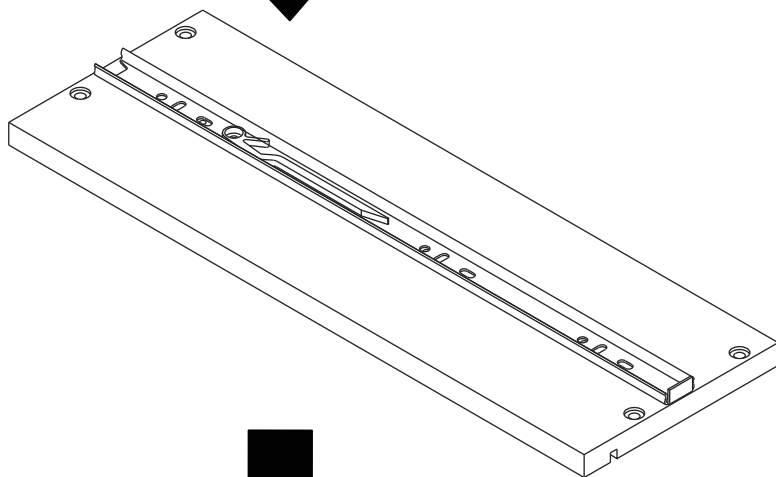
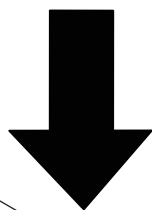
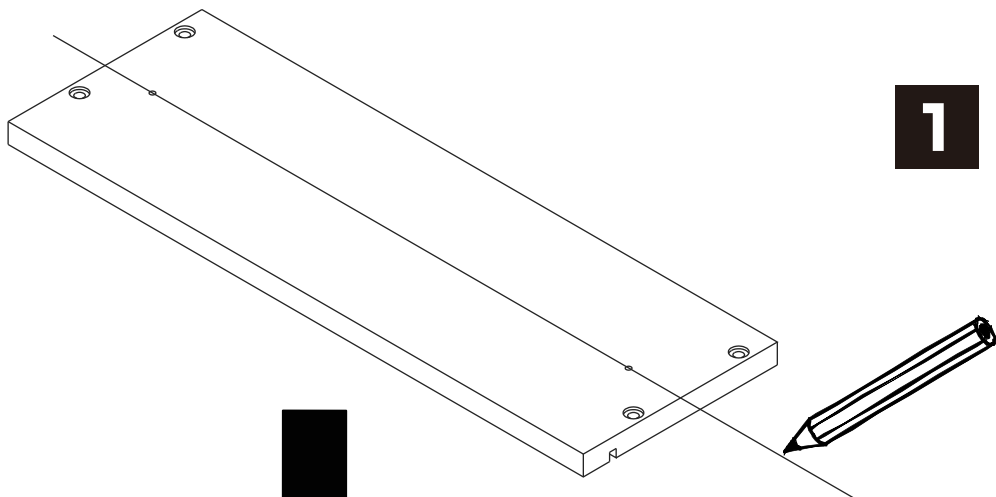


■ Category : Chest of drawers



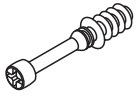
■ Category : Sliding door cabinet / Open cabinet





HARDWARE

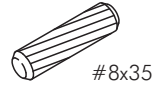
-BODY SET



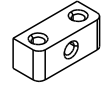
x 35



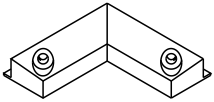
x 35



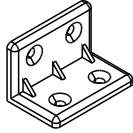
x 38



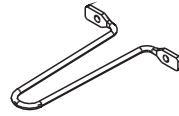
x 3



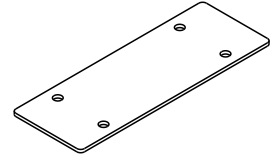
x 2



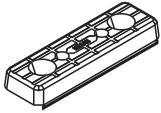
x 19



x 1



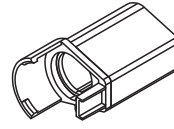
x 2



x 12



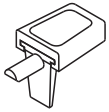
x 2



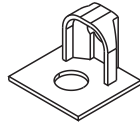
x 6



x 4



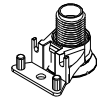
x 12



x 2



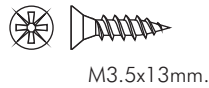
x 7



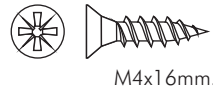
x 6



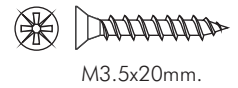
x 4



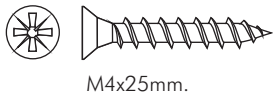
x 8



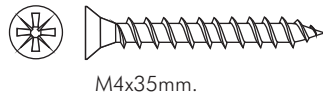
x 108



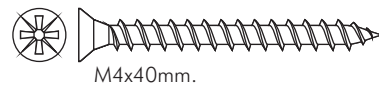
x 4



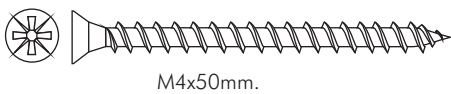
x 15



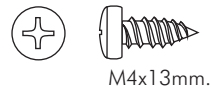
x 8



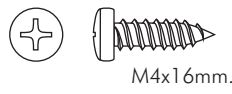
x 1



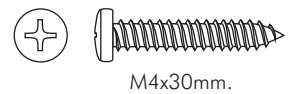
x 4



x 12



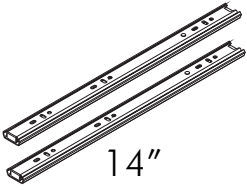
x 41



x 9

HARDWARE

-DRAWER SET



x 4



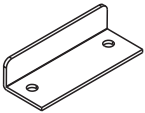
M3.5x13mm.

x 48



M4x40mm.

x 40

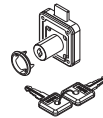


x 1



M4x1/2"

x 2



x 1

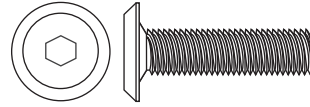


M3.5x20mm.

x 4



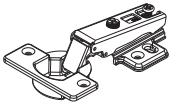
x 1



M6x23mm.

x 14

-DOOR SET



(FULL OVERLAY)

x 16



M4x16mm.

x 96

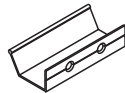


x 8



M3.5x13mm.

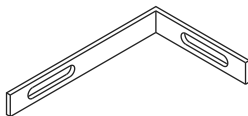
x 4



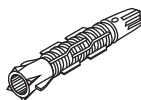
x 2



x 1



x 2



x 2



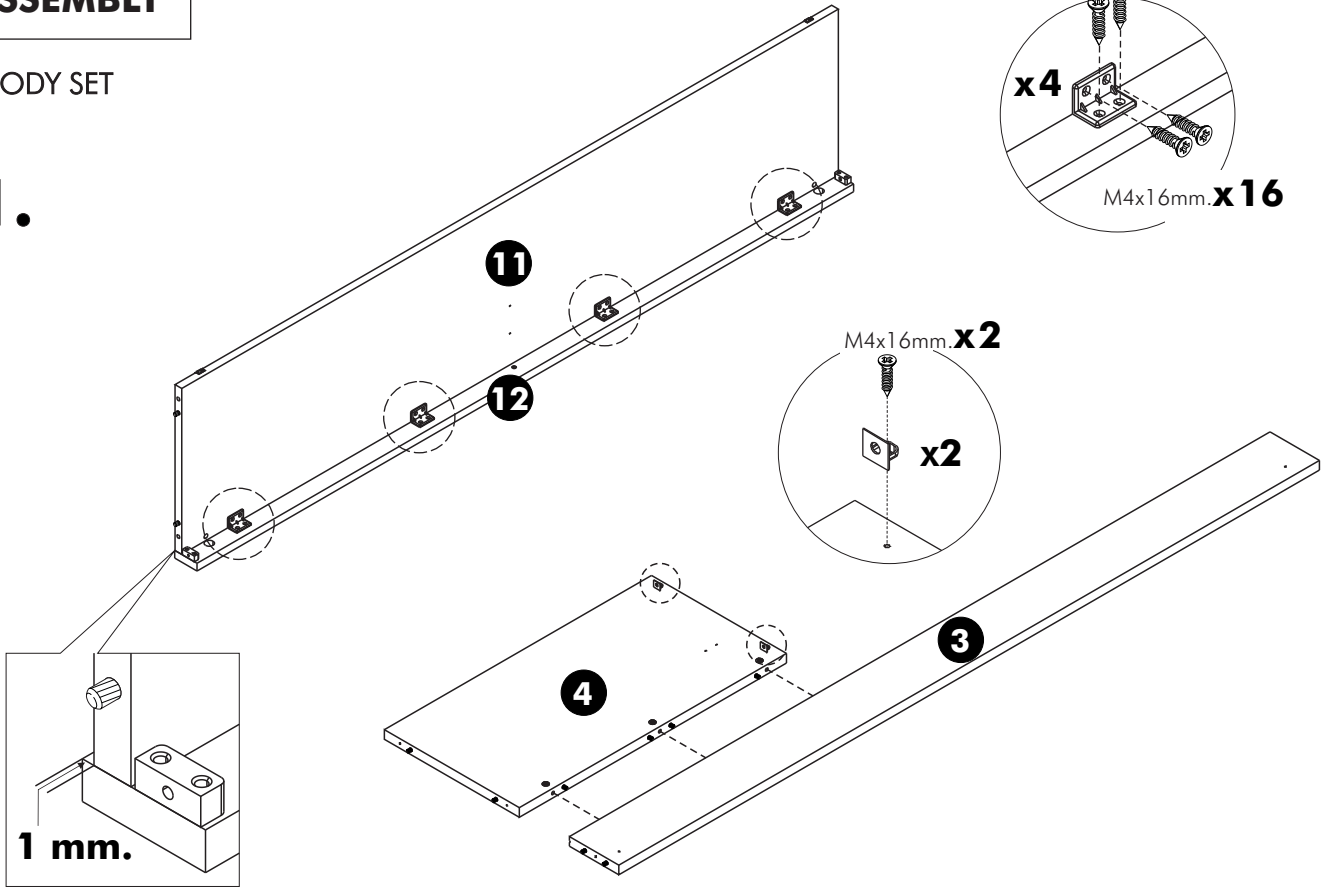
M5x50mm.

x 2

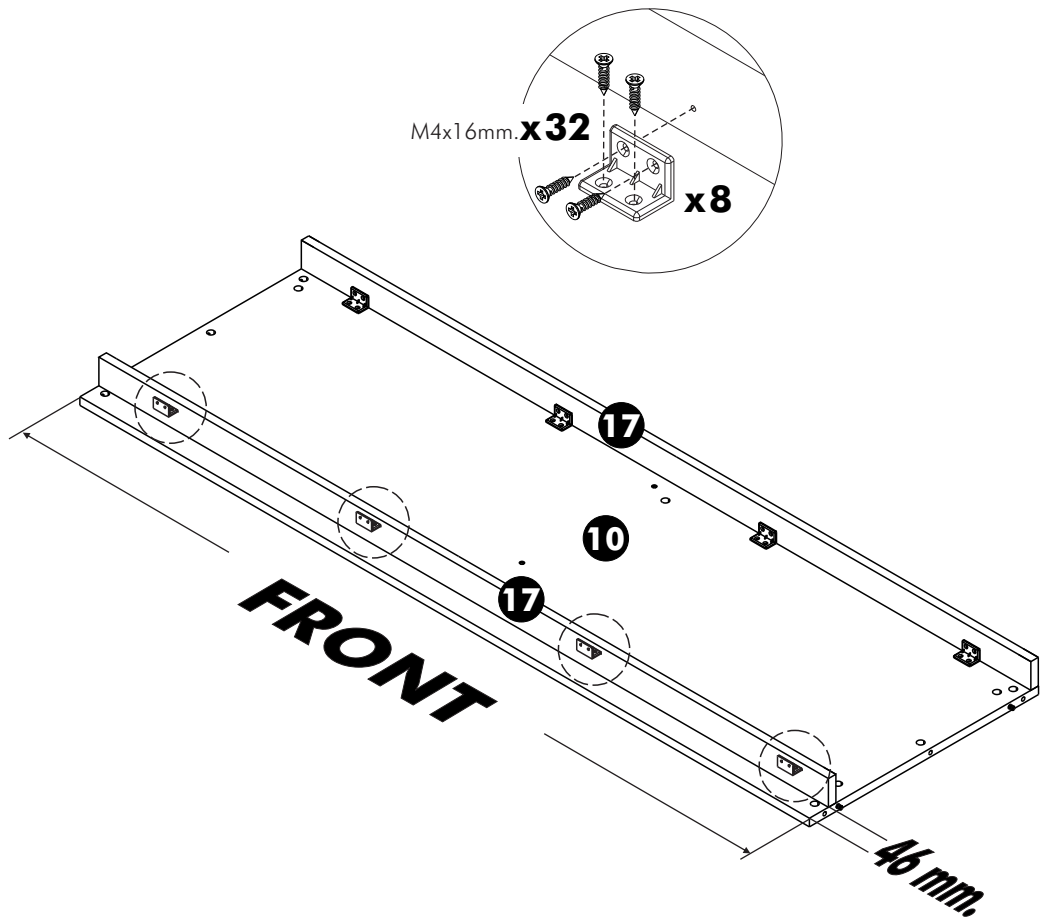
ASSEMBLY

-BODY SET

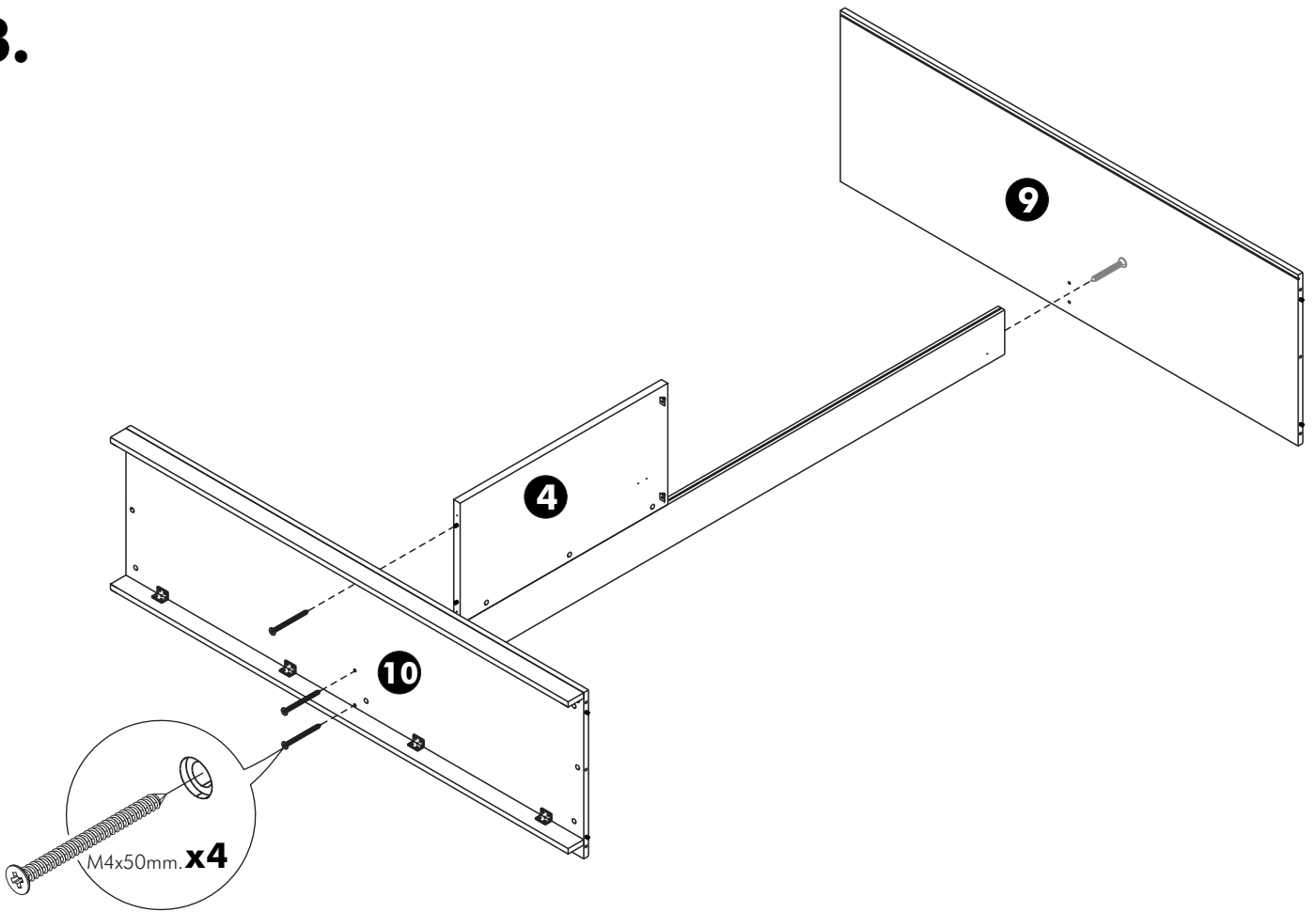
1.



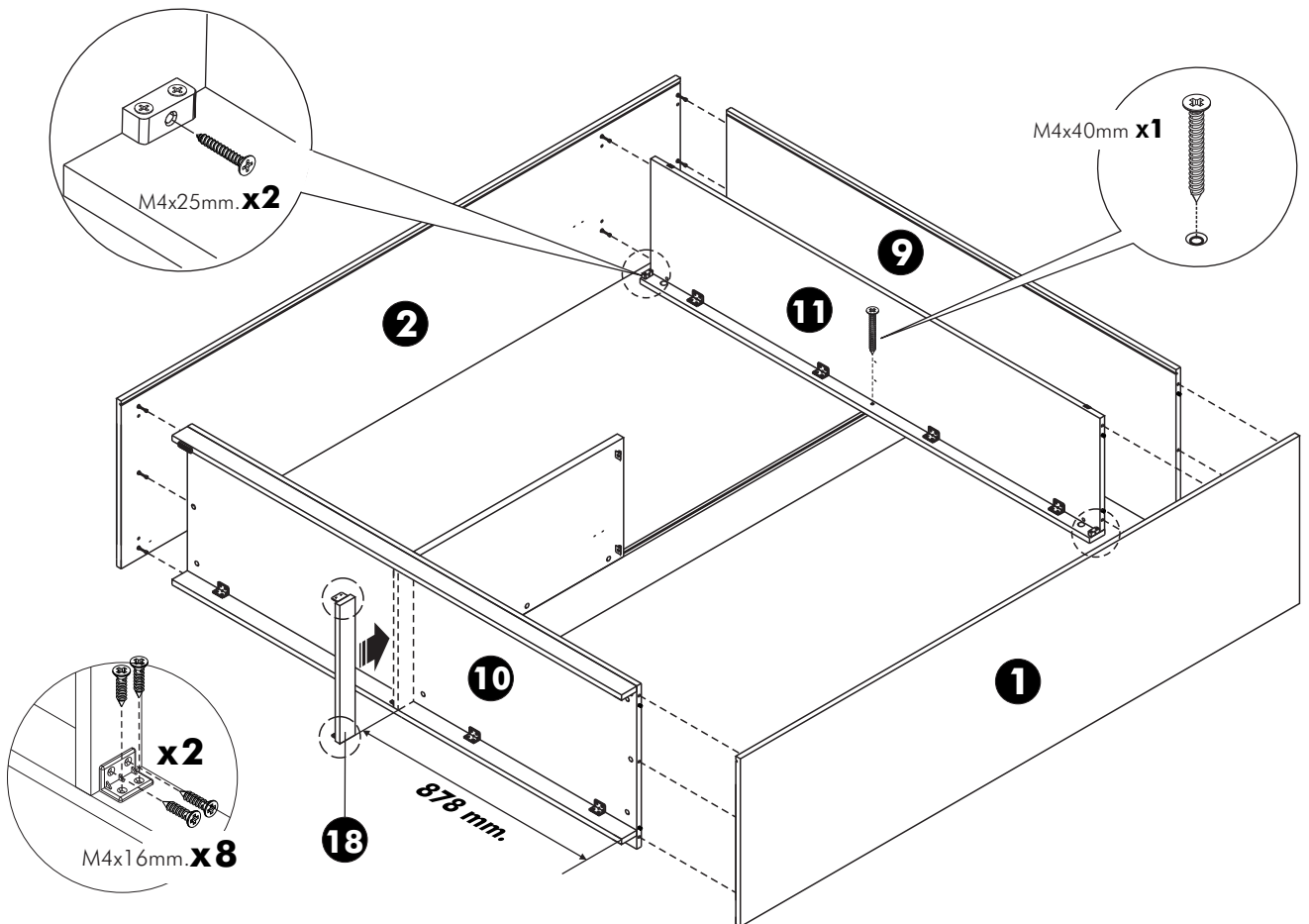
2.



3.

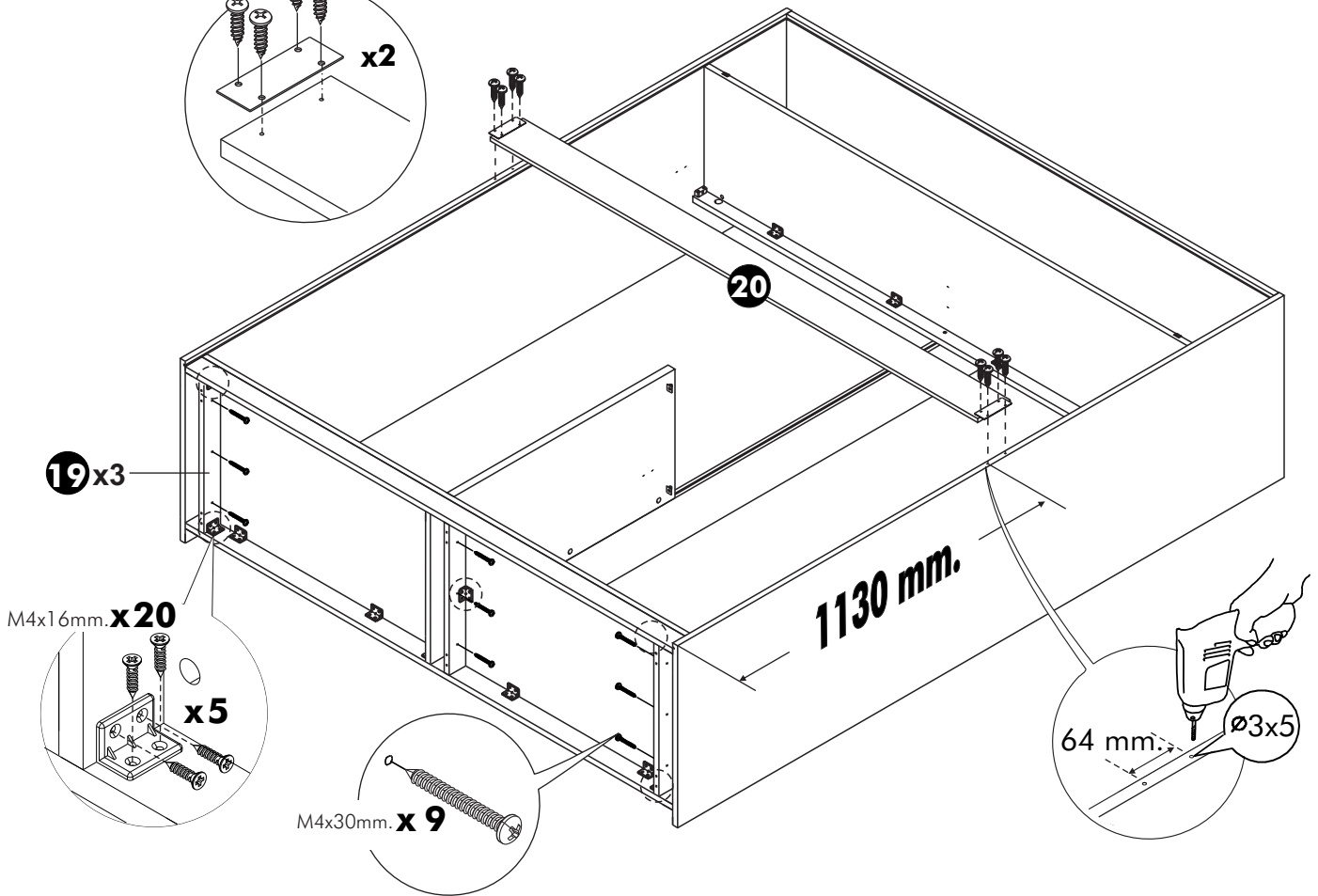
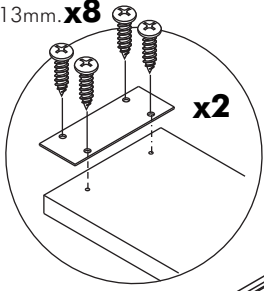


4.

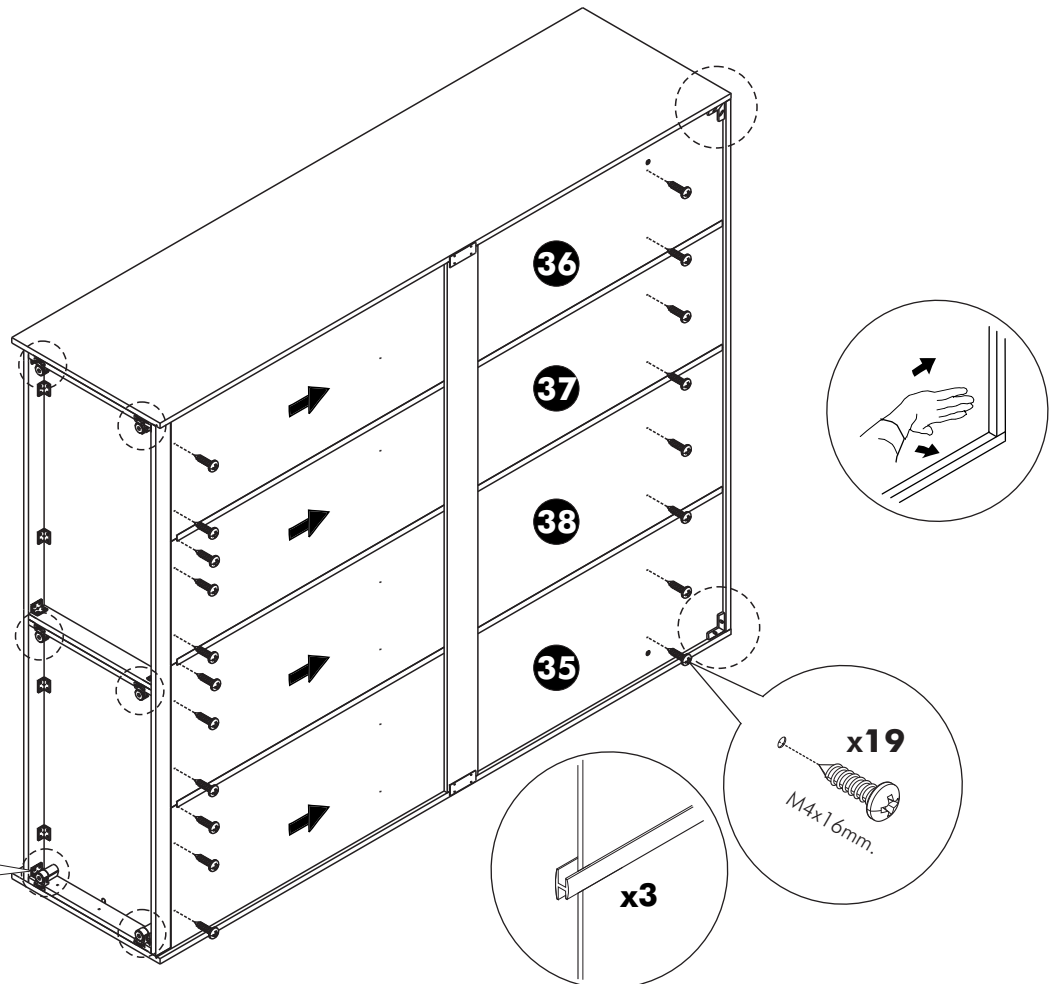
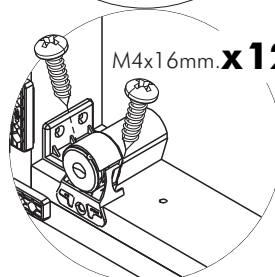
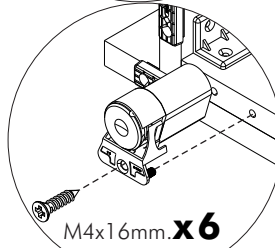
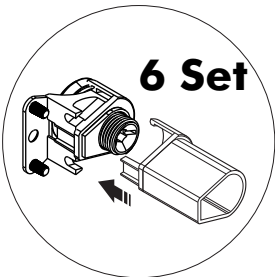


5.

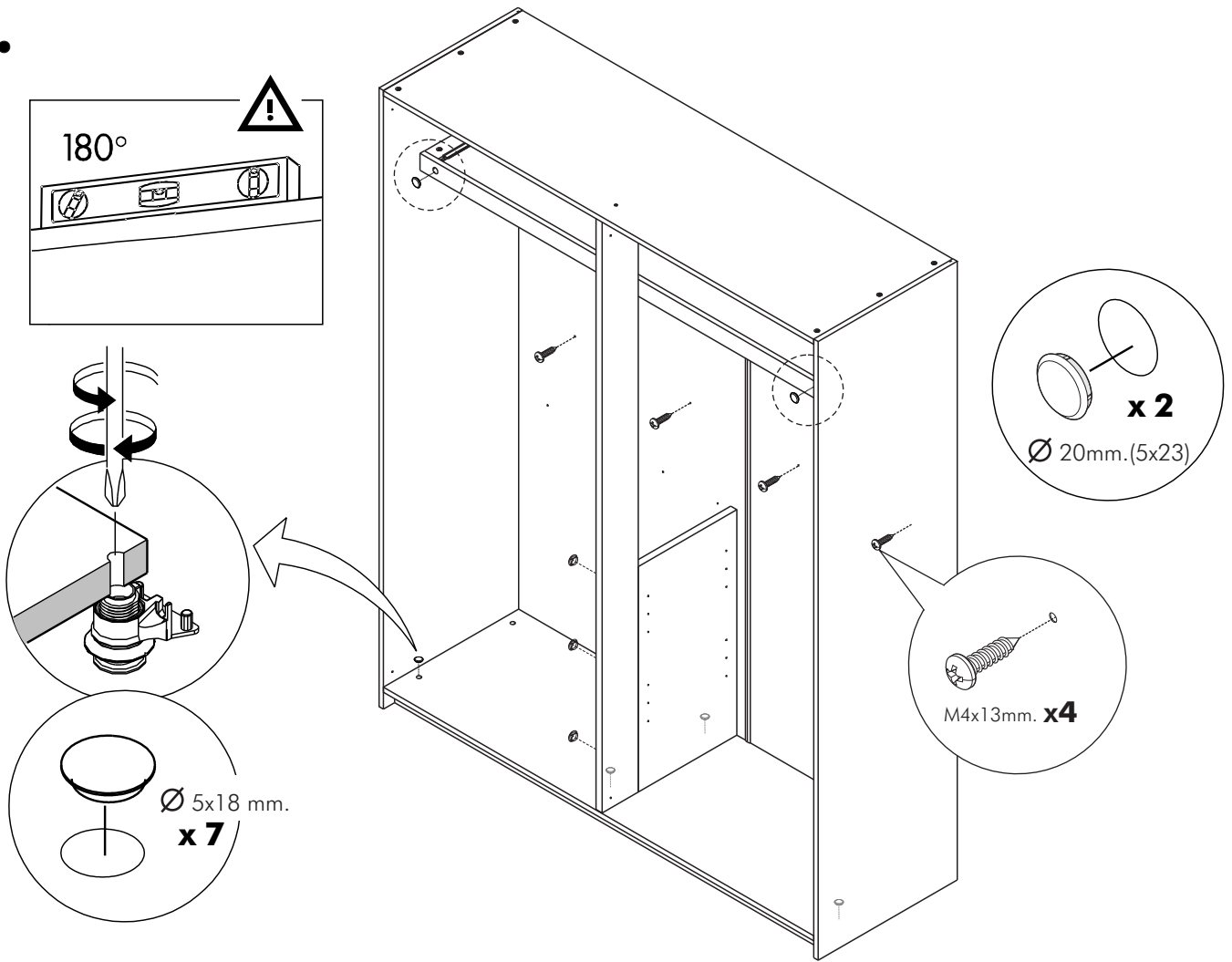
M4x13mm. **x8**



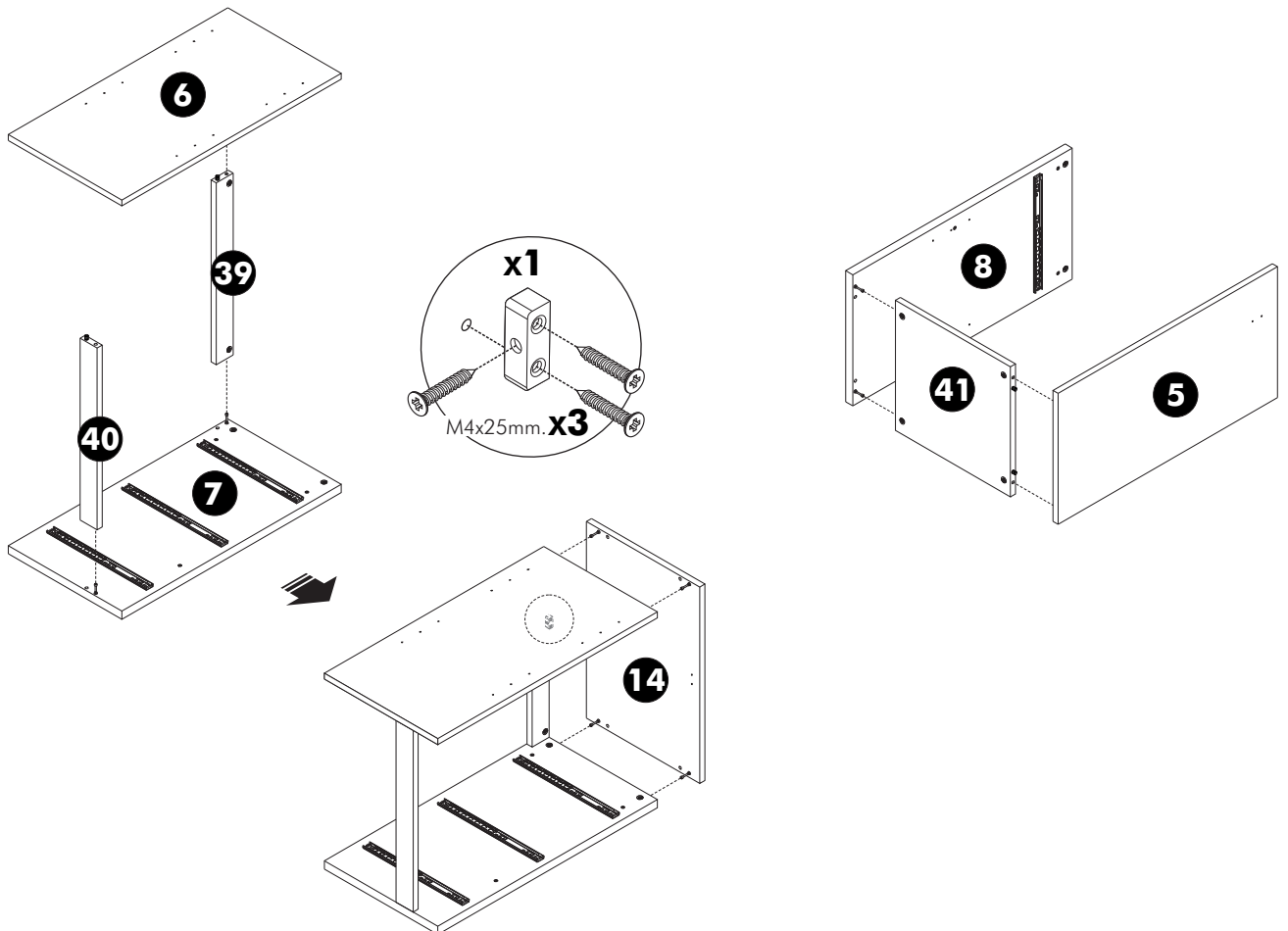
6.



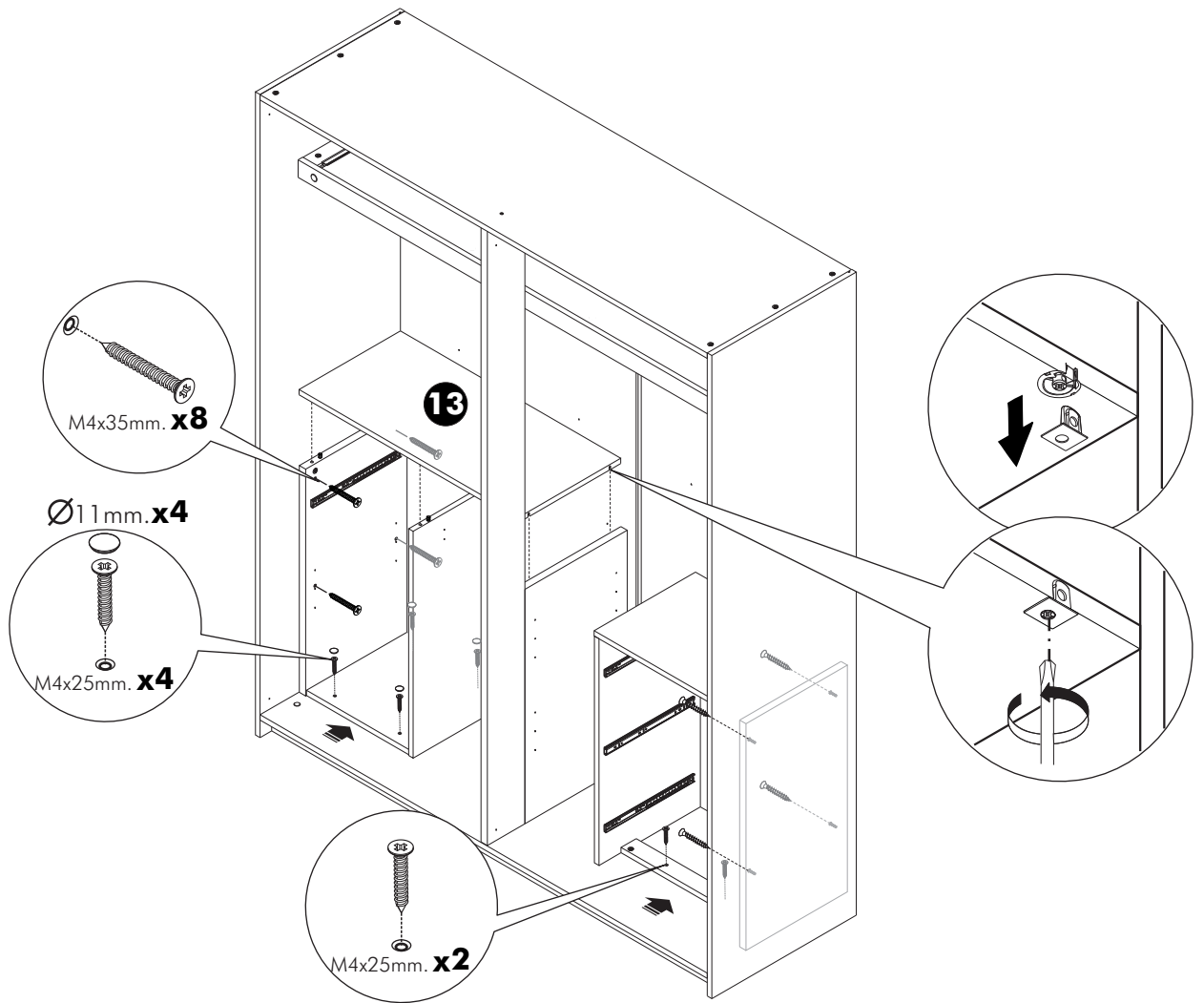
7.



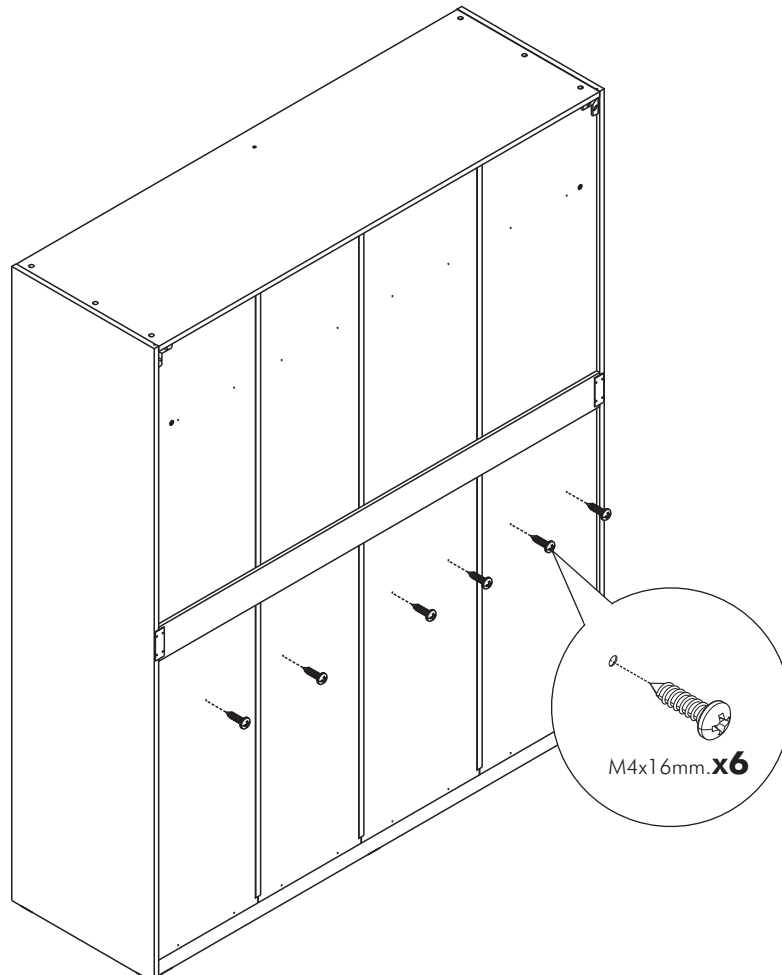
8.



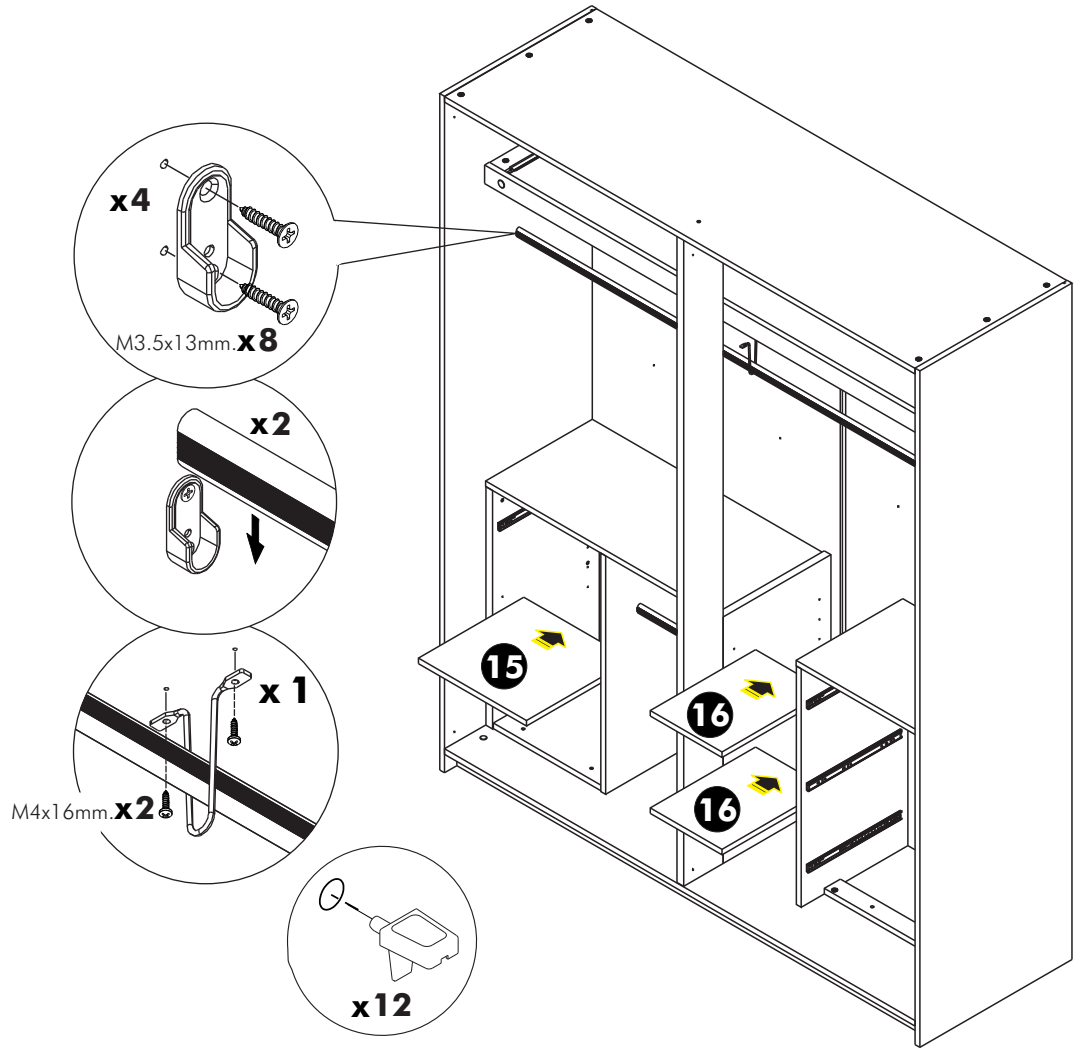
9.



10.



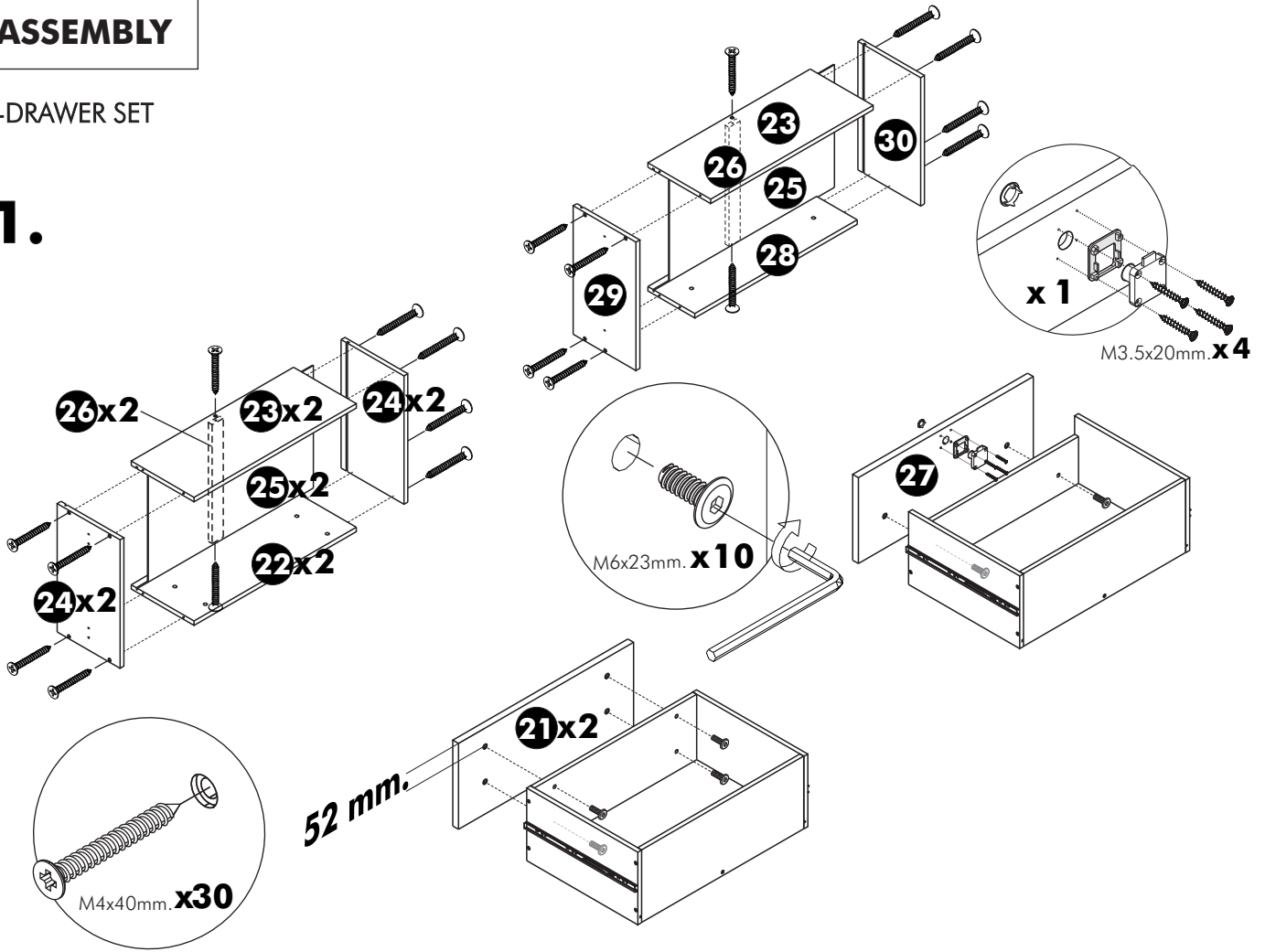
11.



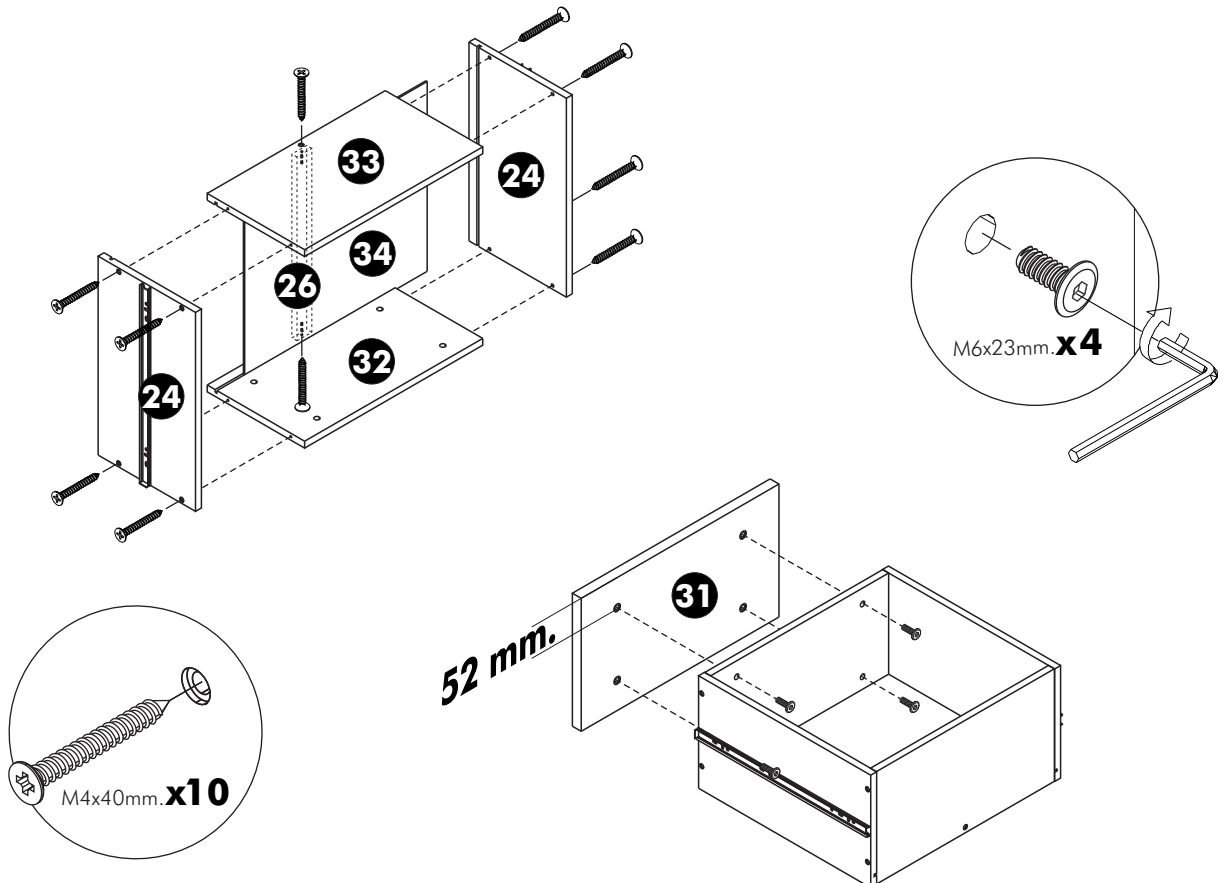
ASSEMBLY

-DRAWER SET

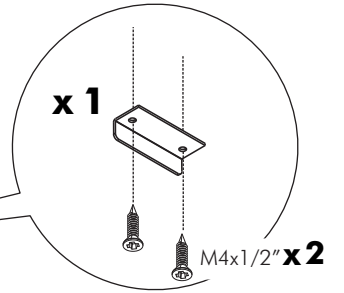
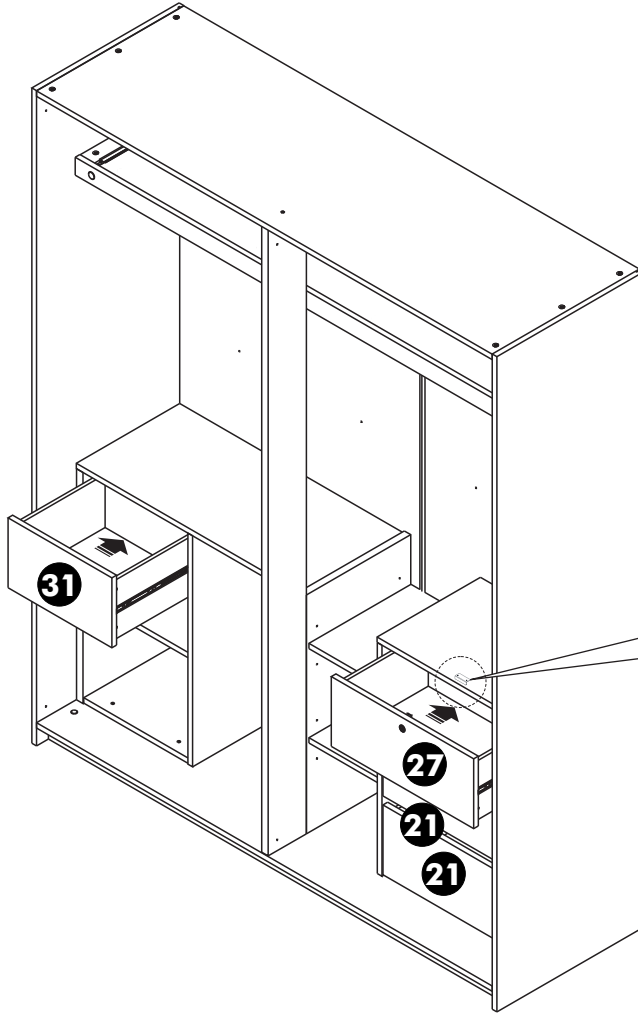
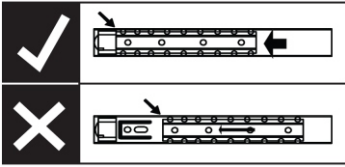
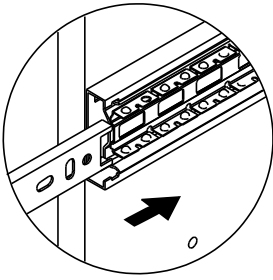
1.



2.



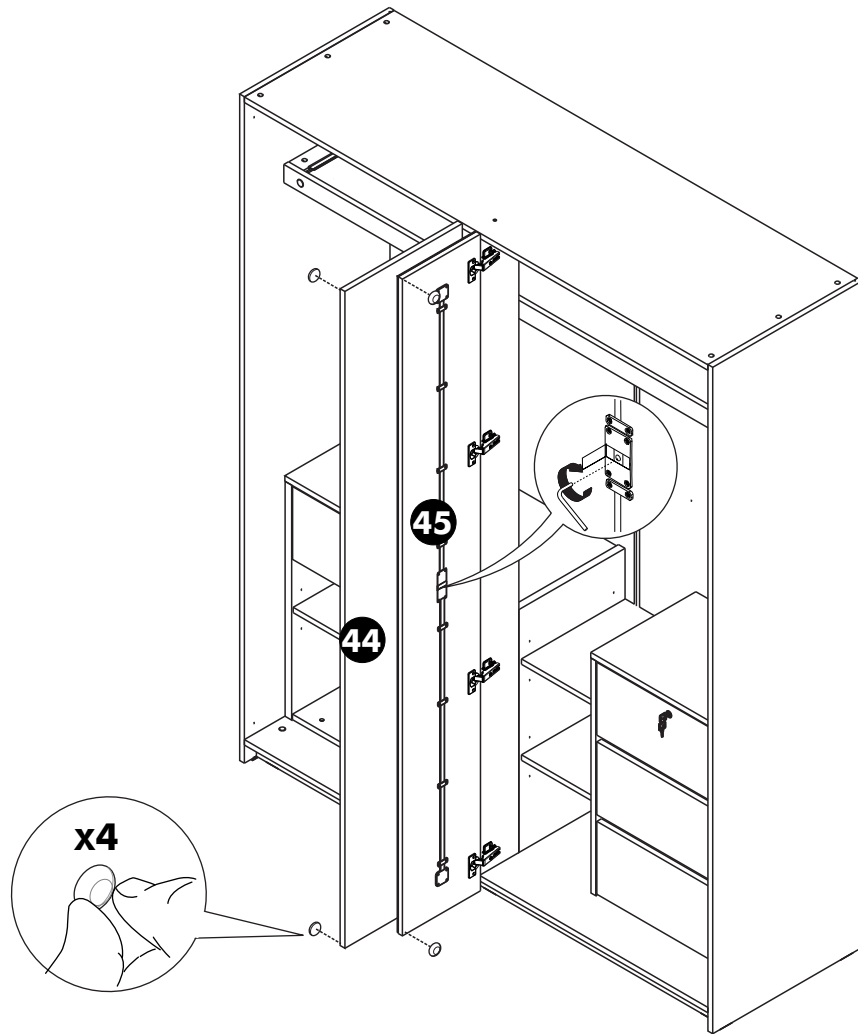
3.



ASSEMBLY

-DOOR SET

1.



2.

