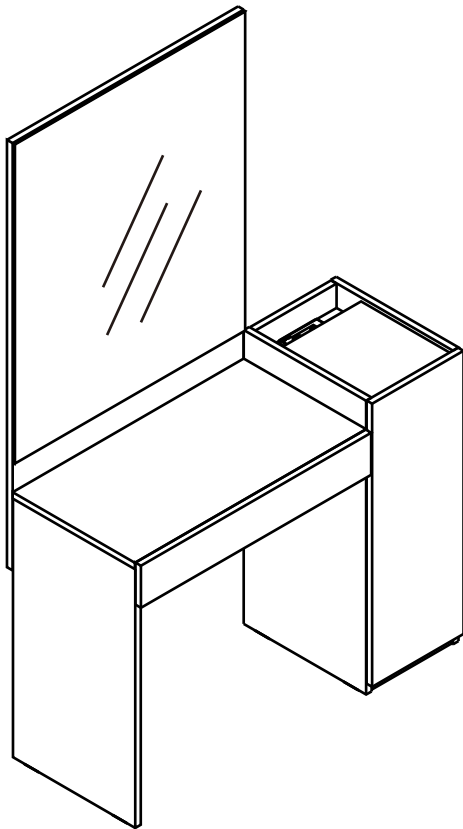
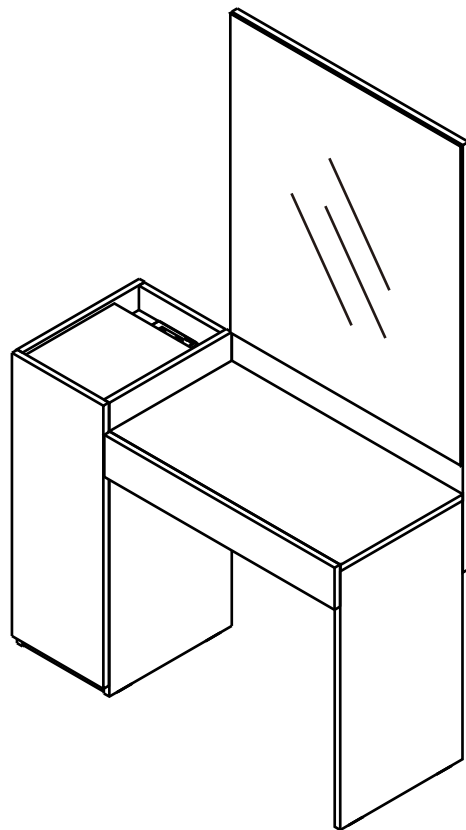


TRAVERTINE

Dressing table



Right



Left

CONNECT SYSTEM

1

3

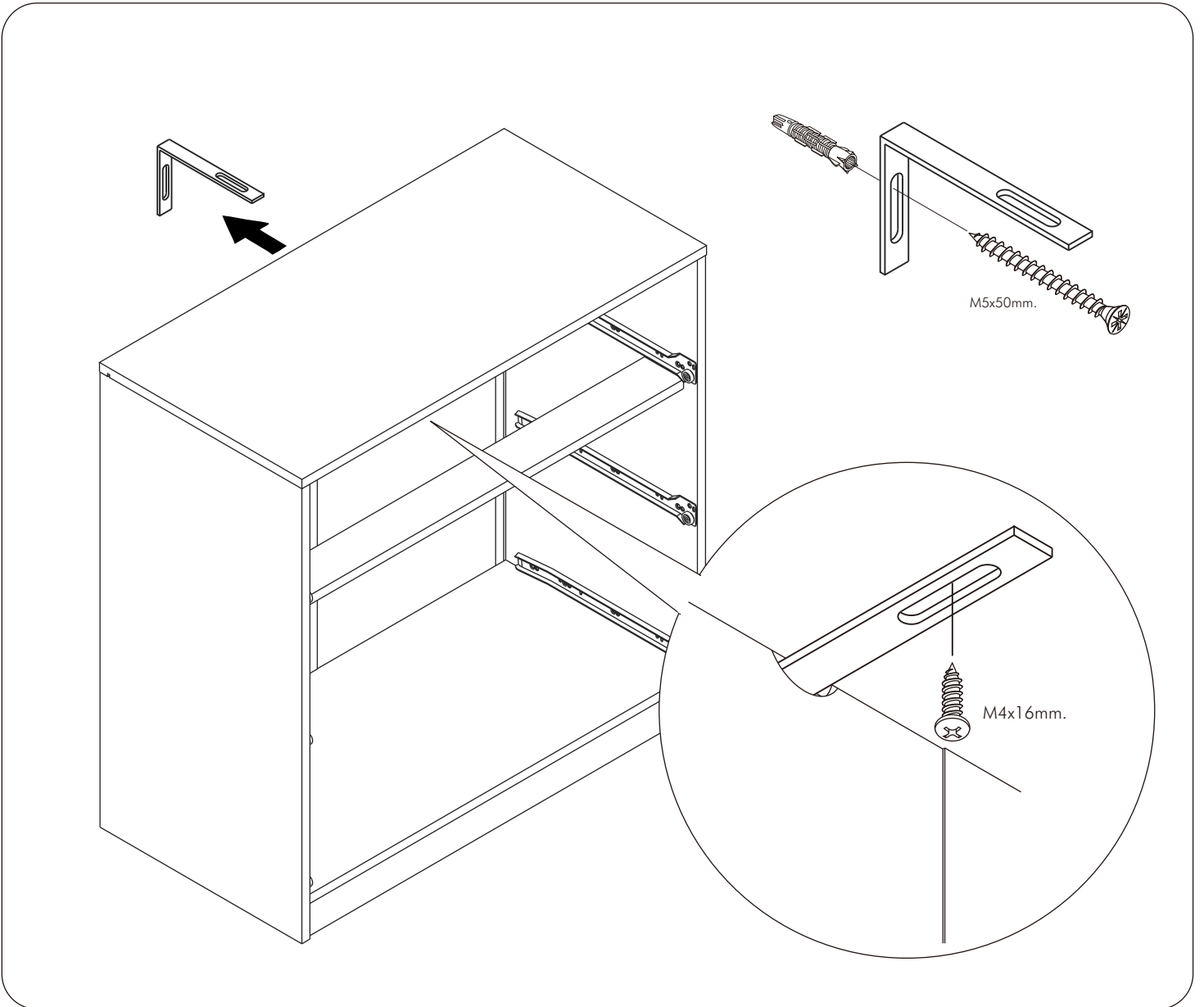
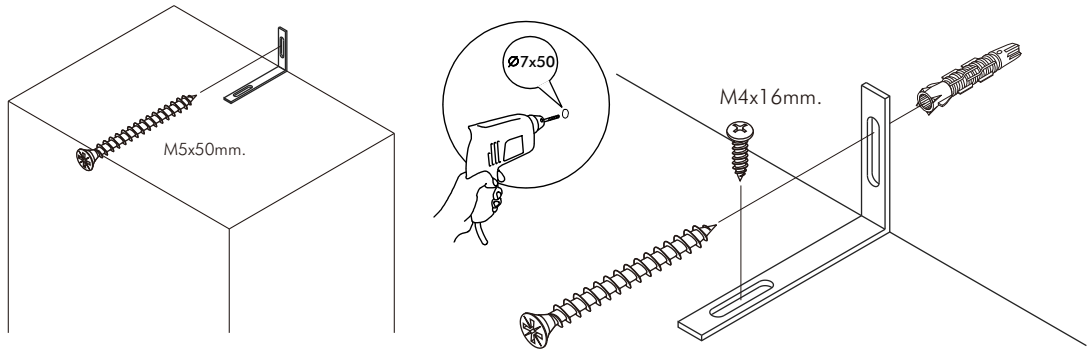
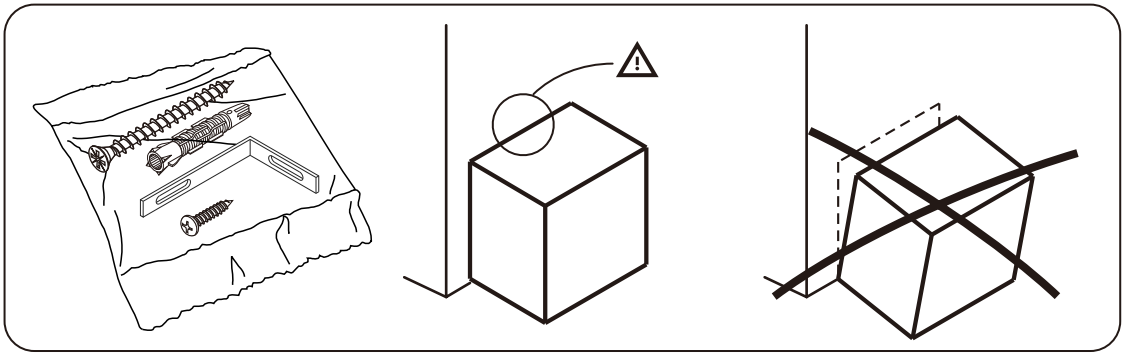
2

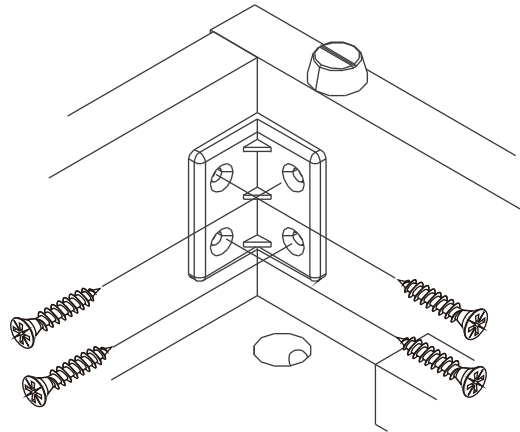
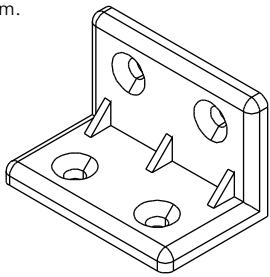
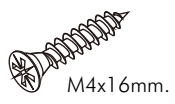
WHEN FITTING CAMS
 ENSURE STARTING POSITION IS CORRECT
 BEFORE YOU INSERT CONNECTING BOLT
 TURN CLOCKWISE UNTIL SECURE

<input checked="" type="checkbox"/>	<input type="checkbox"/>	<input type="checkbox"/>	<input type="checkbox"/>	✗
↑ CORRECT	WRONG			

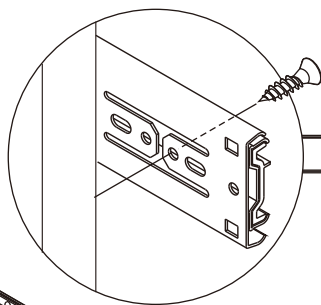
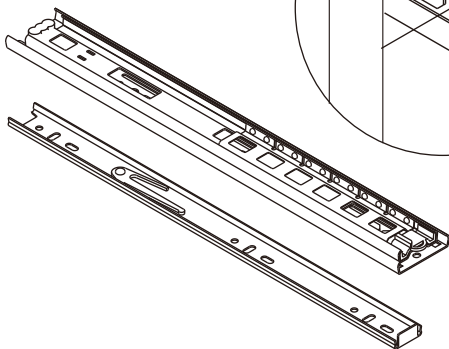
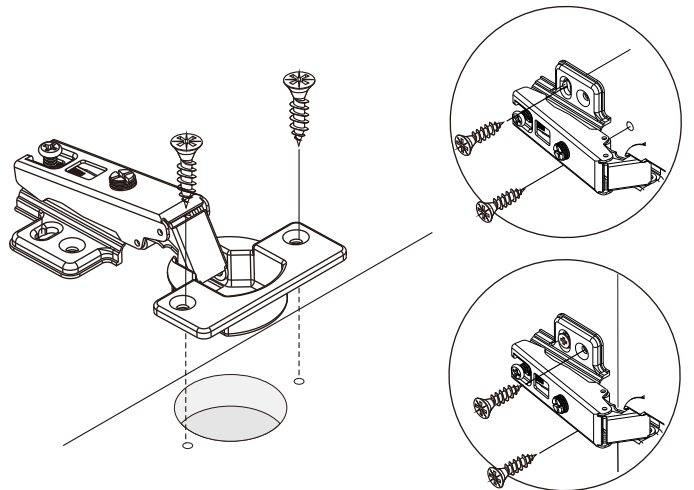
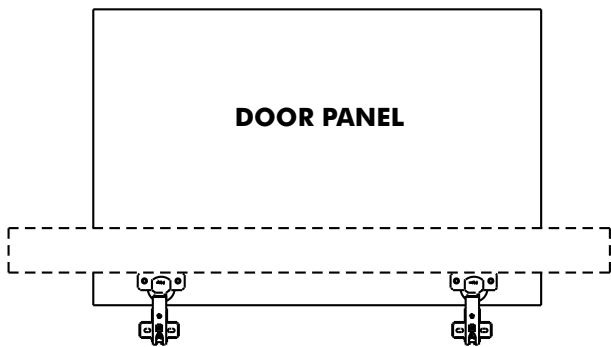
i

	☹ ✗
	☺ ☑



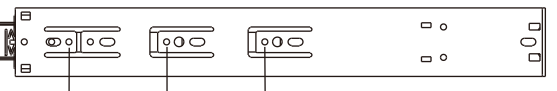


DOOR PANEL



1

2



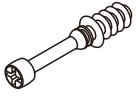
Use these holes



Use these holes

HARDWARE

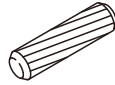
-BODY SET



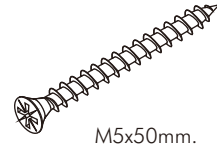
x 20



x 20

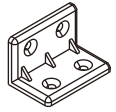


x 36

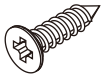


M5x50mm.

x 1



x 8

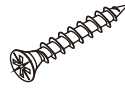


M4x16mm.

x 58



x 2



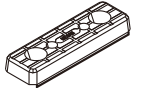
M3.5x20mm.

x 6

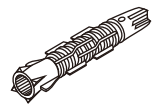


M4x45mm.

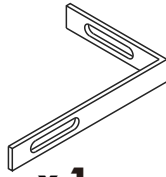
x 2



x 6



x 1

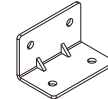


x 1



M4x16mm.

x 11



x 2



#Sand stone

x 2

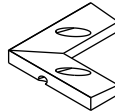


x 4

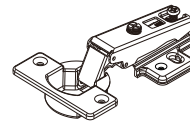


#Grey

x 8



x 2



x 2



x 1



x 2



M4x25mm.

x 6



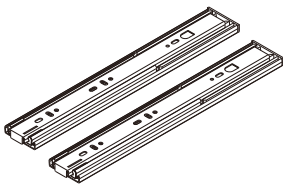
x 2



M4x30mm.

x 10

-DRAWER SET

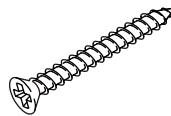


x 1



M3.5x13mm.

x 12



M4x40mm.

x 12

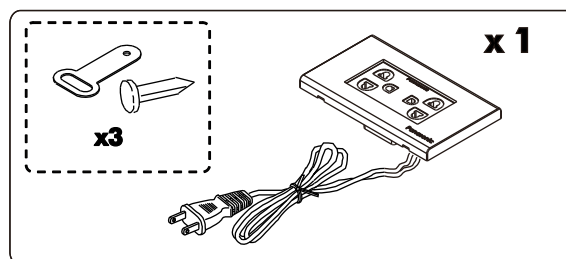


M6x23mm.

x 4



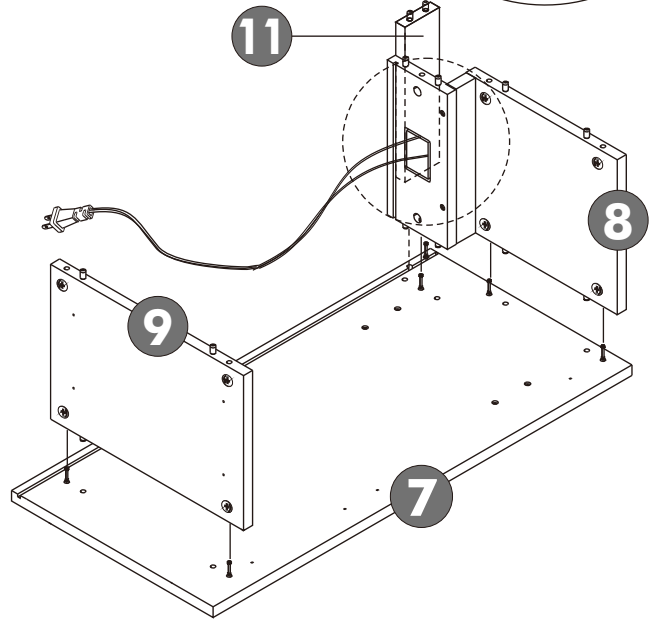
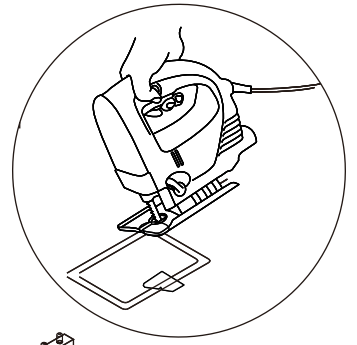
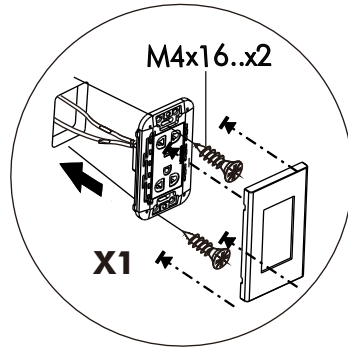
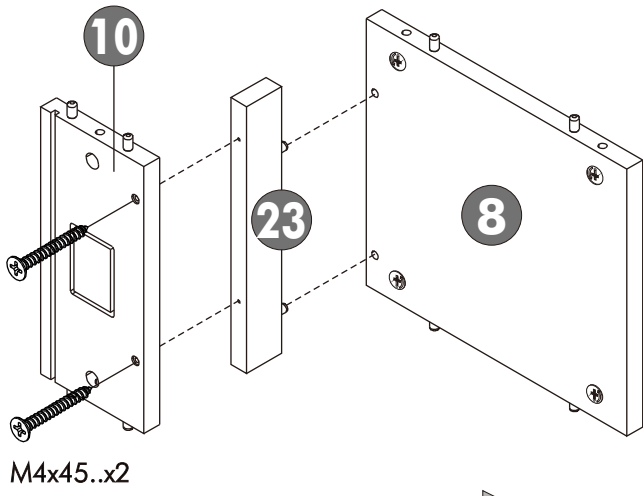
x 1



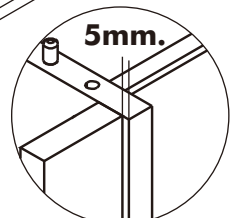
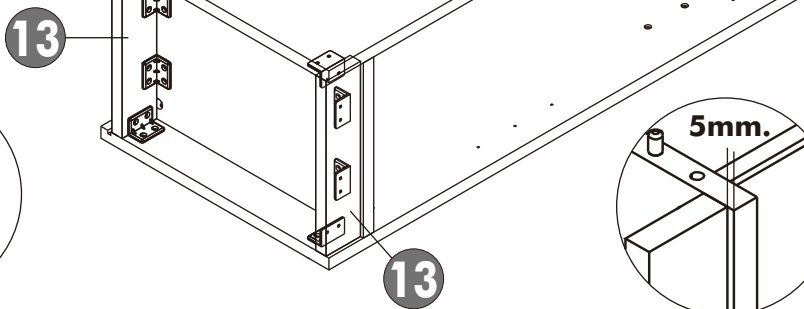
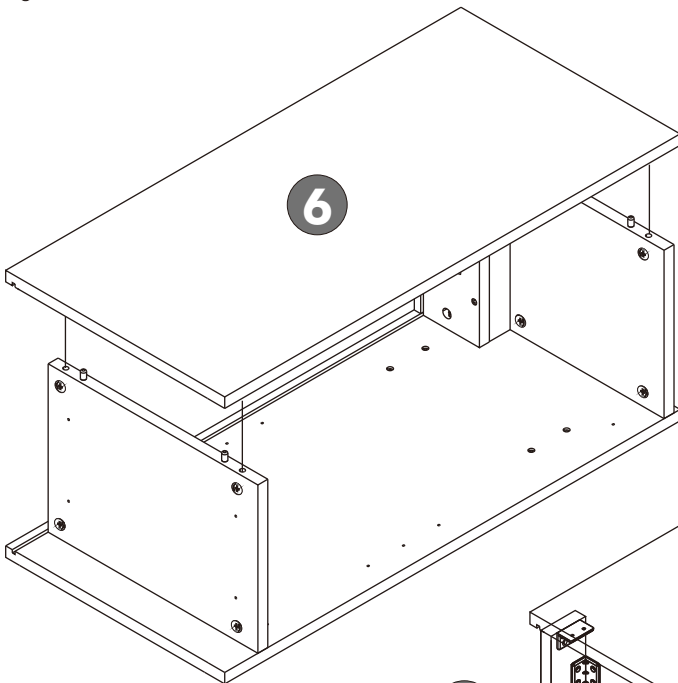
x 1

x 3

1.

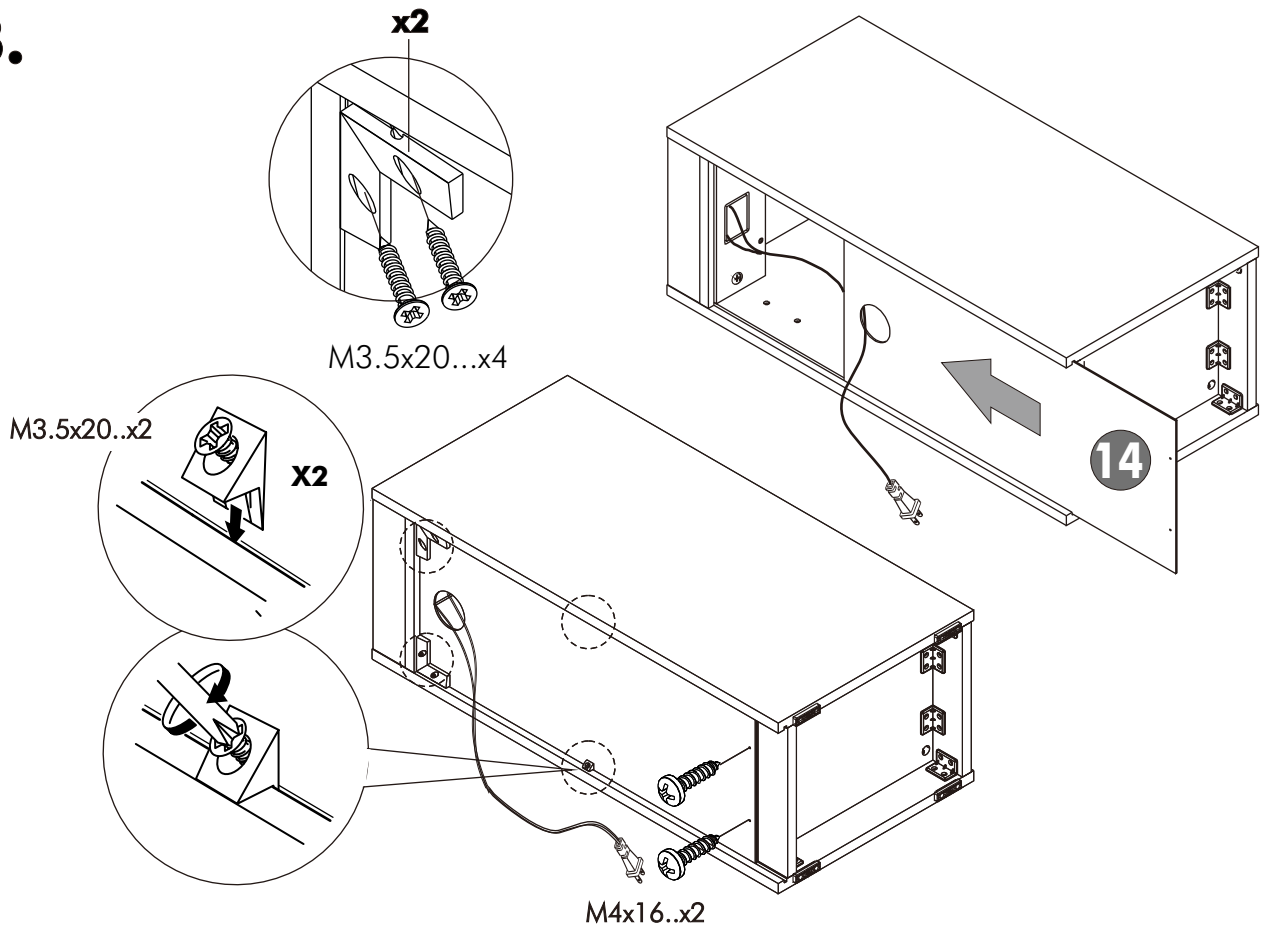


2.

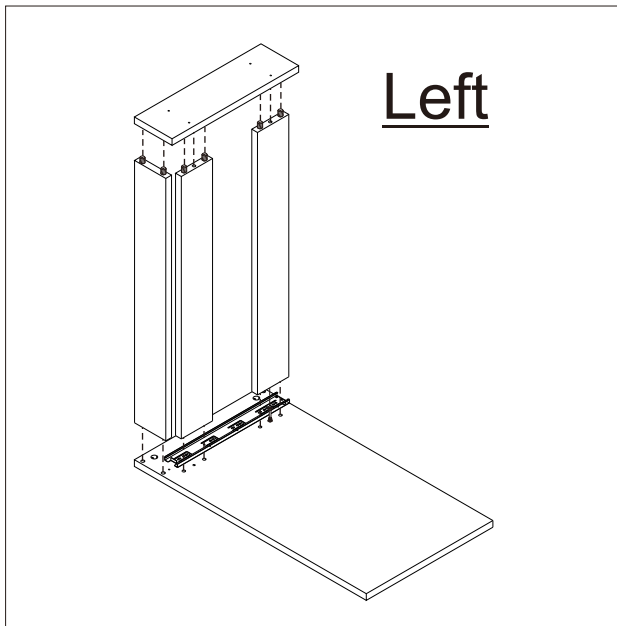


Front

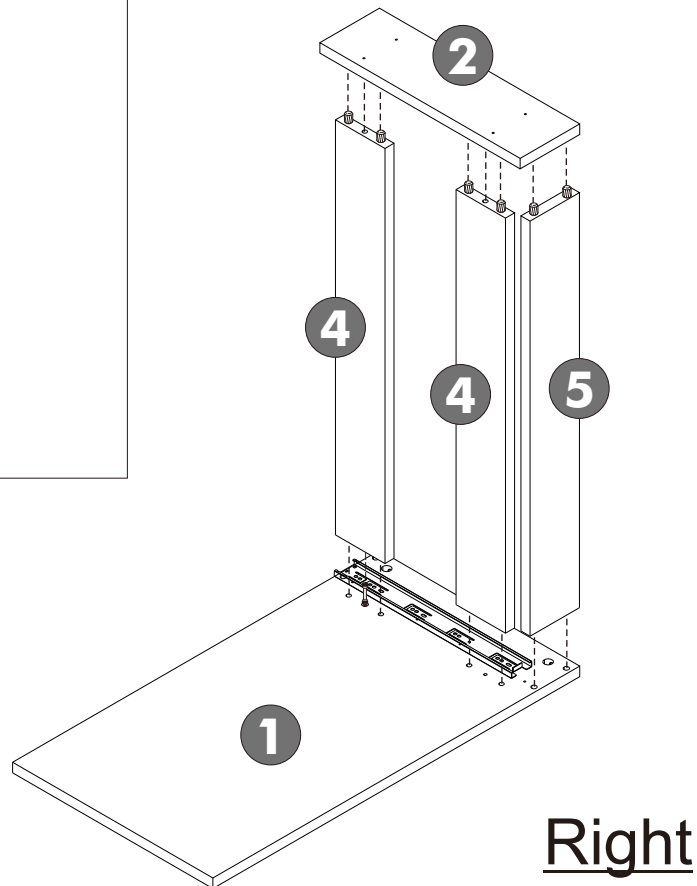
3.



4.

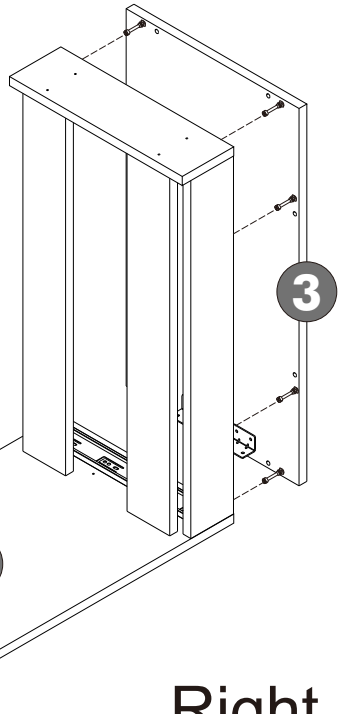
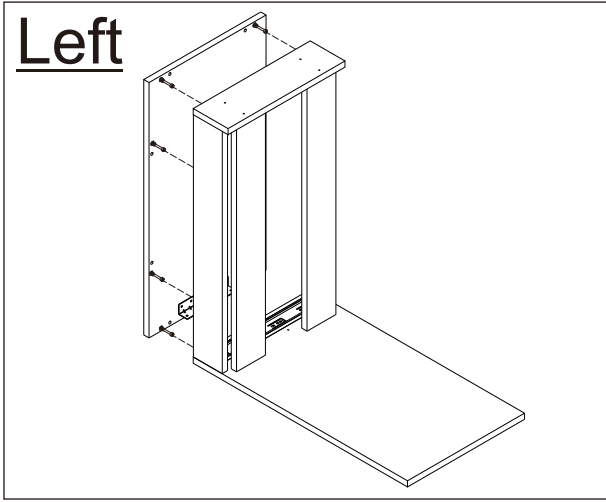


Left

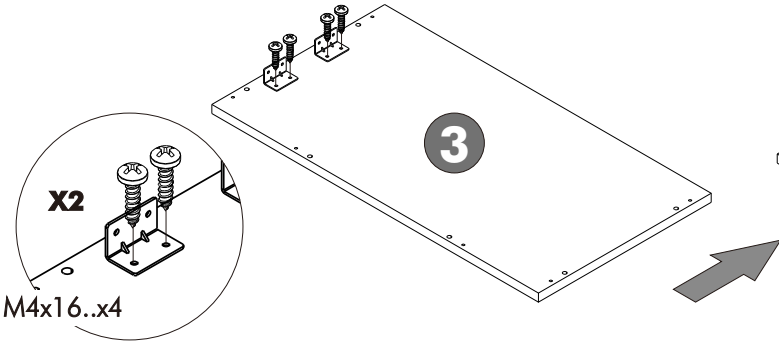


Right

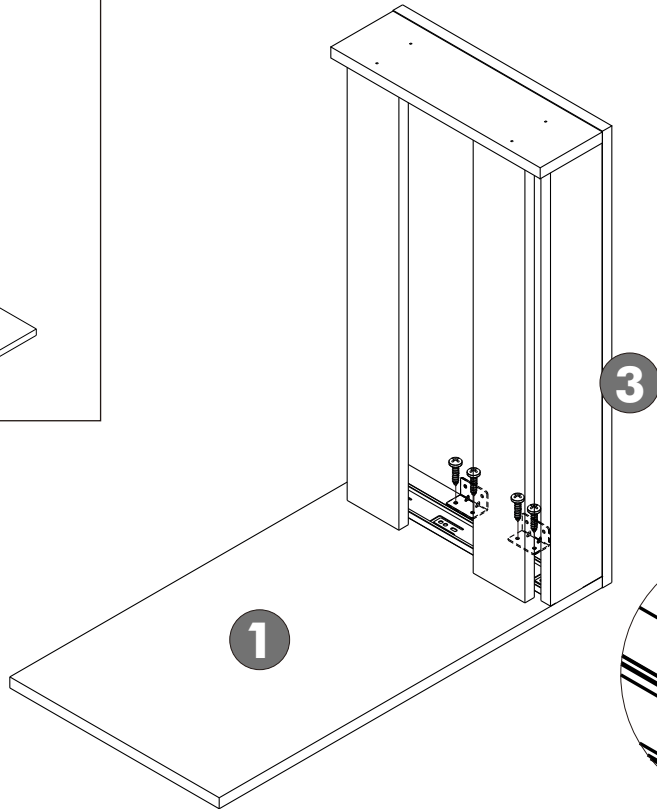
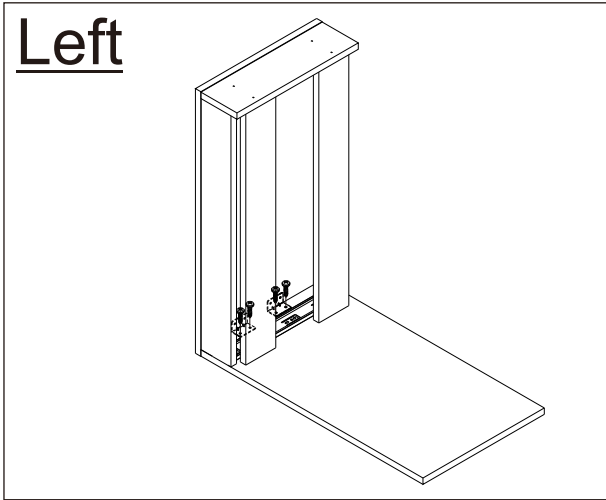
5. Left



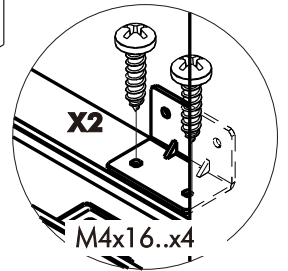
Right



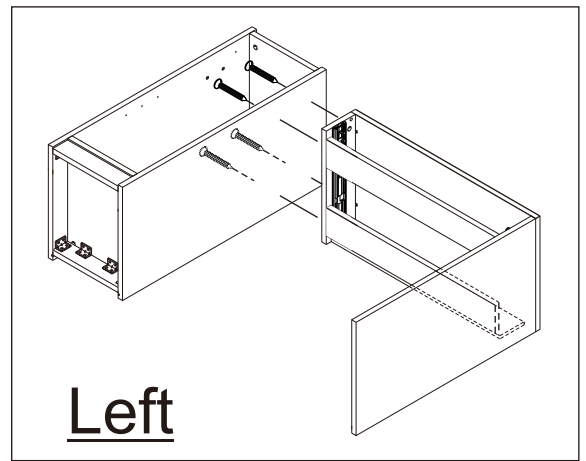
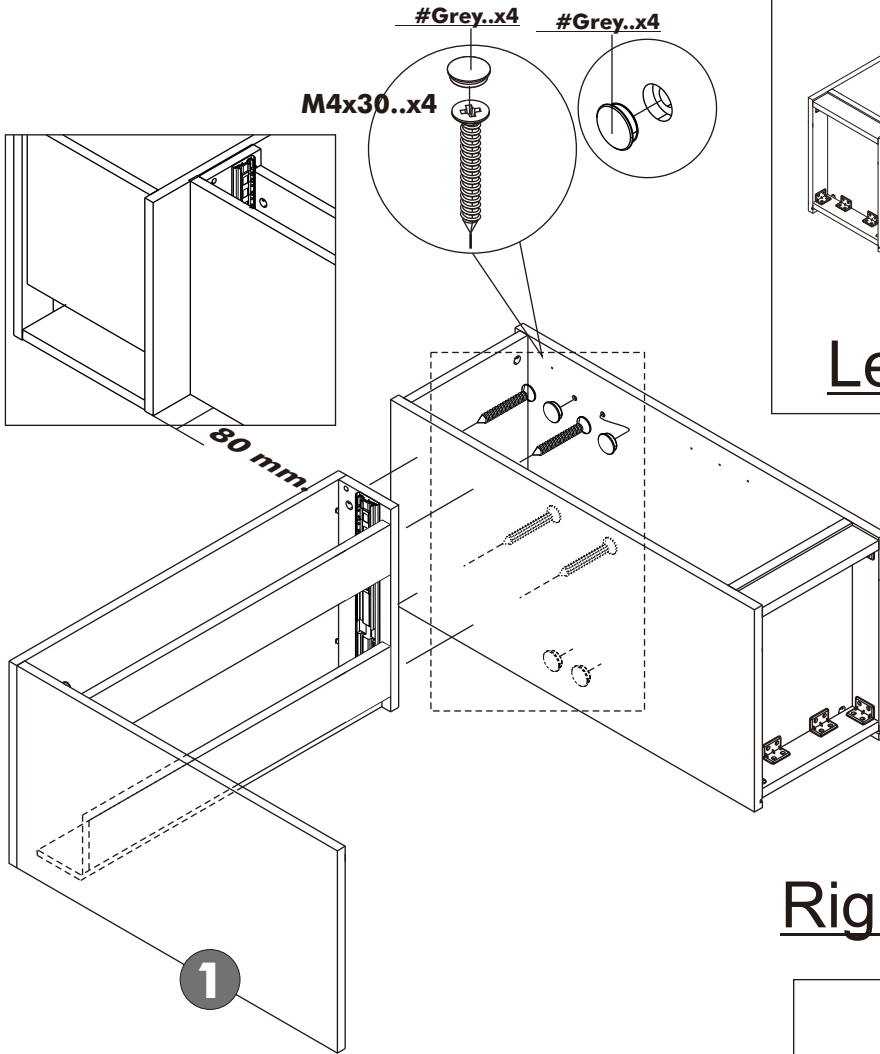
6. Left



Right

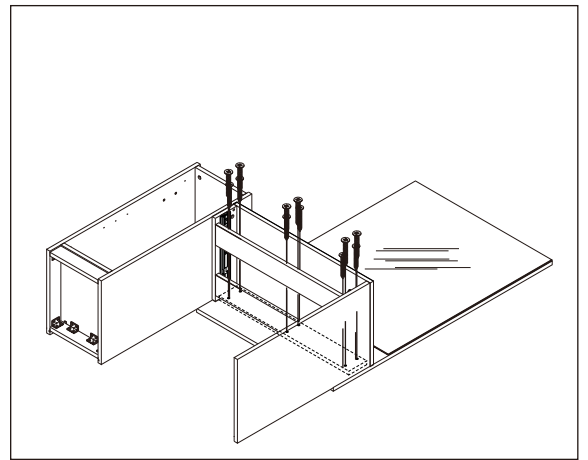
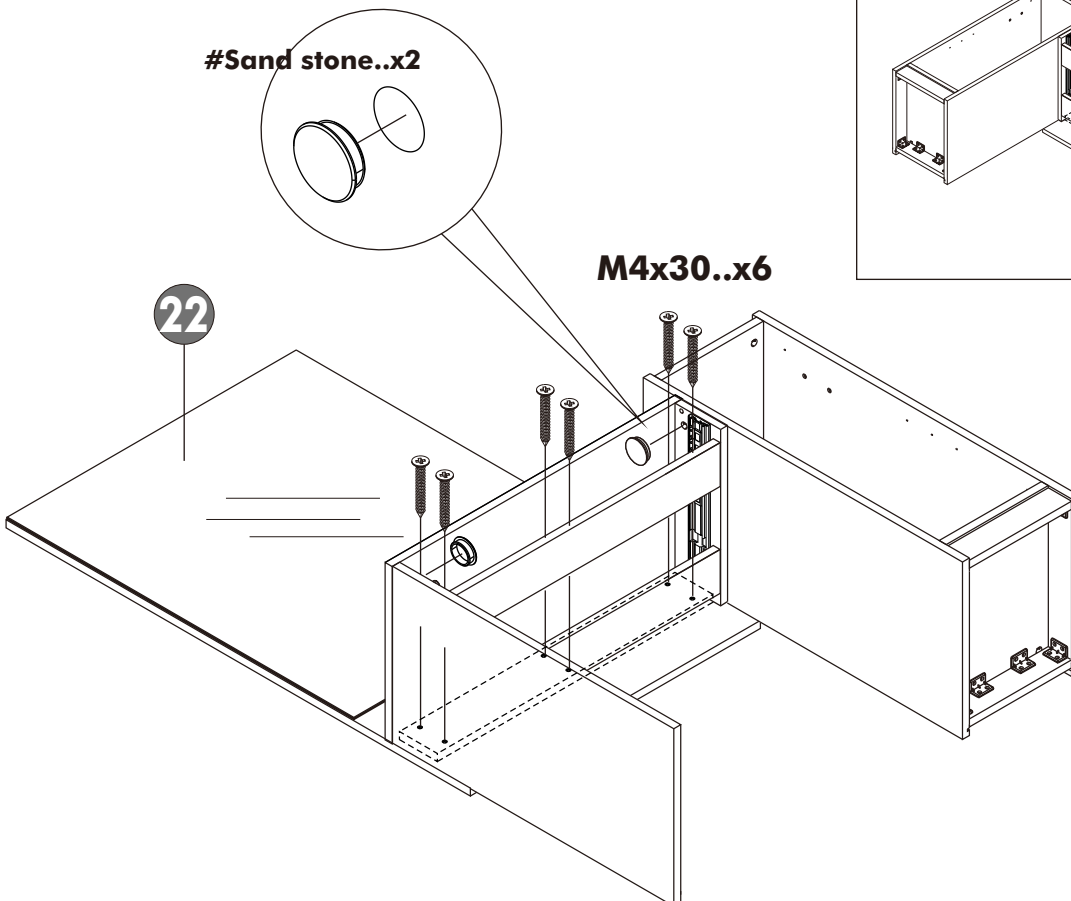


7.

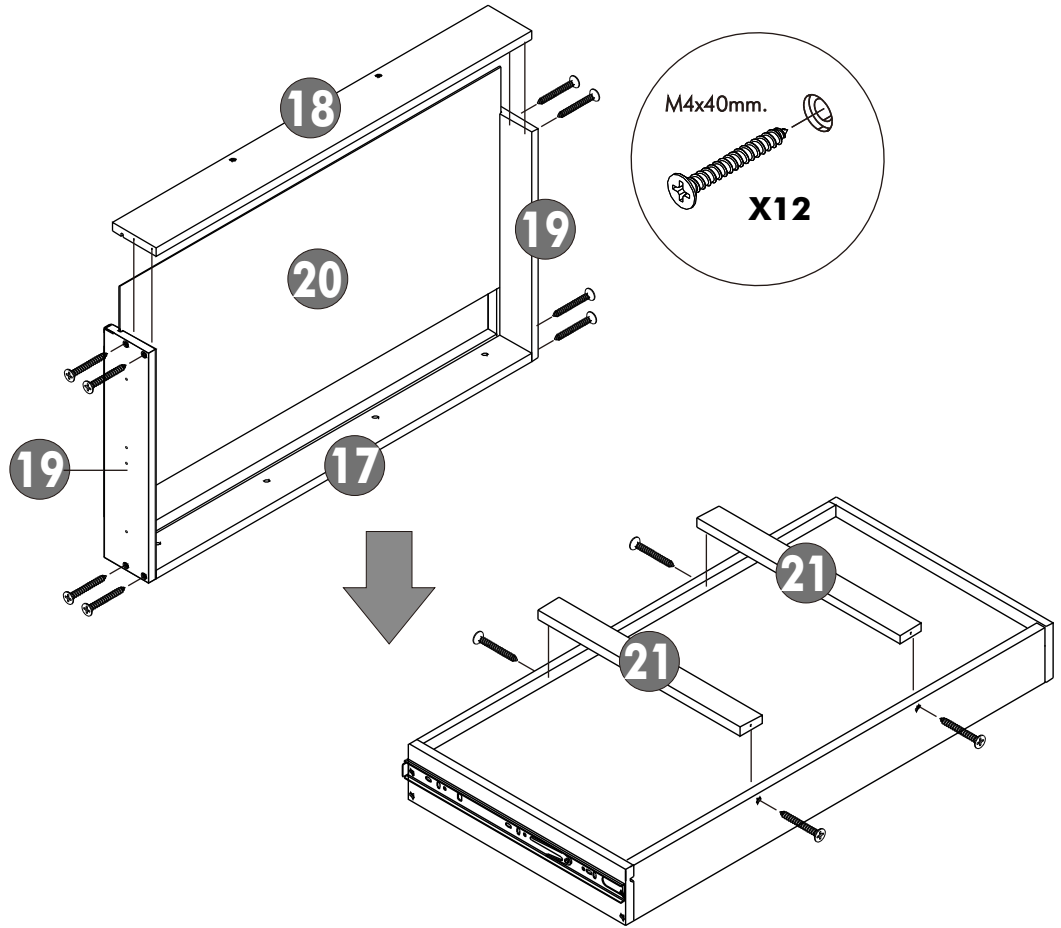


Right

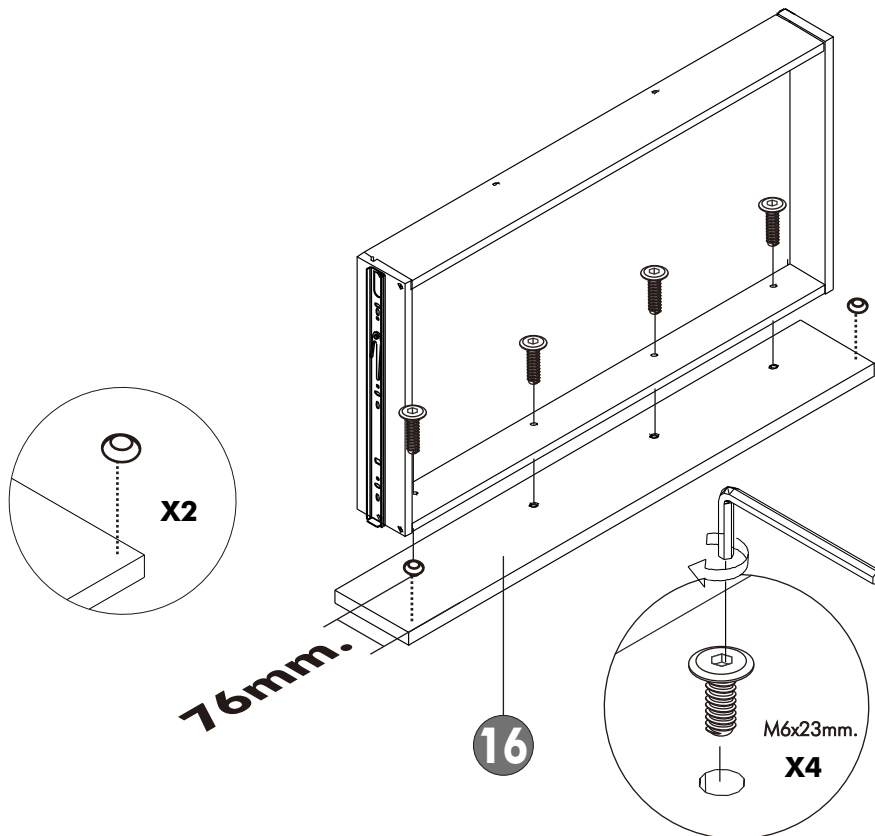
8.



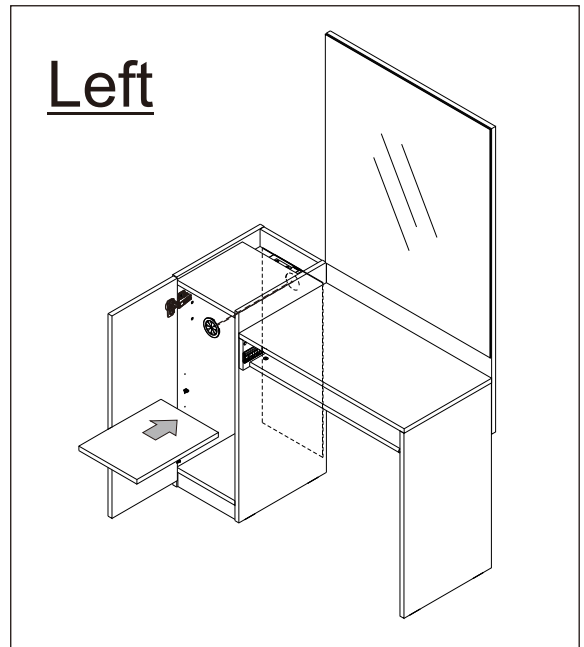
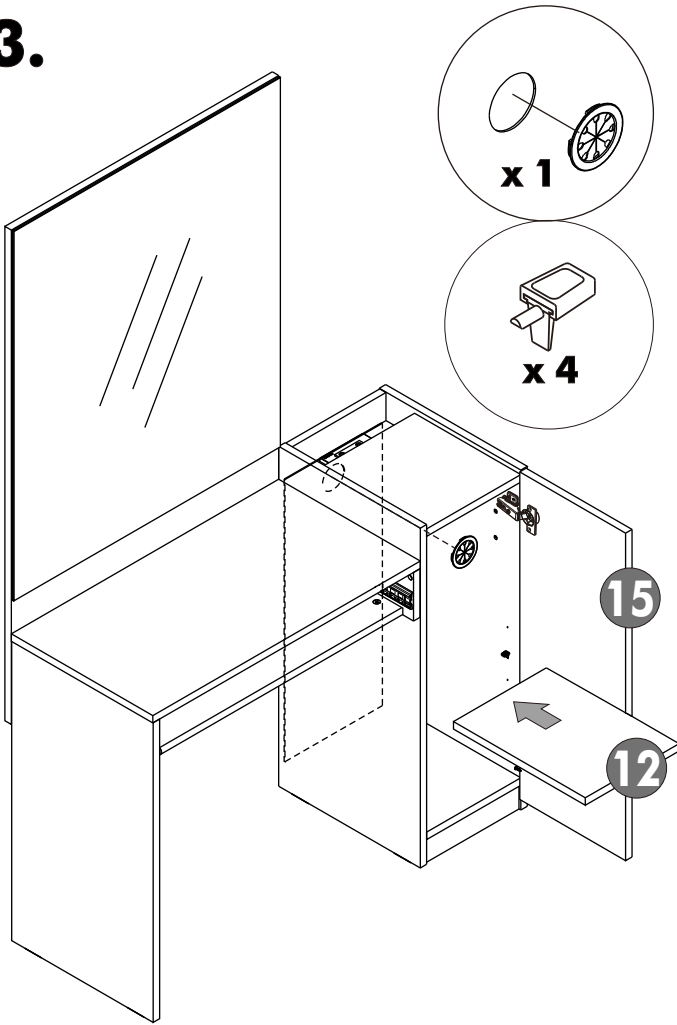
9.



10.

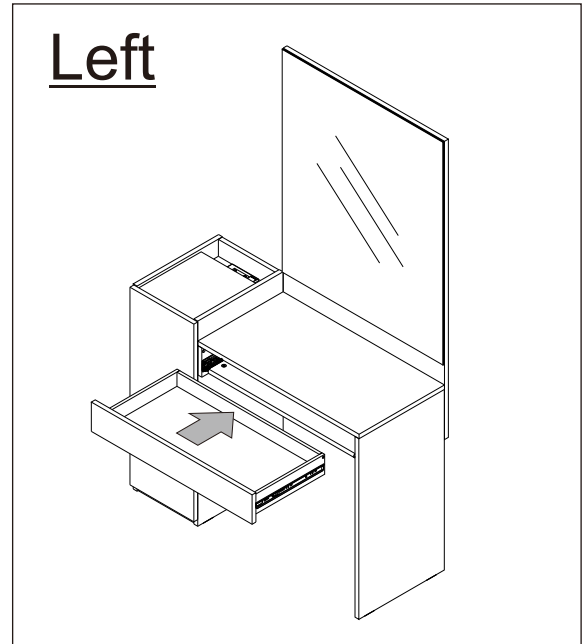
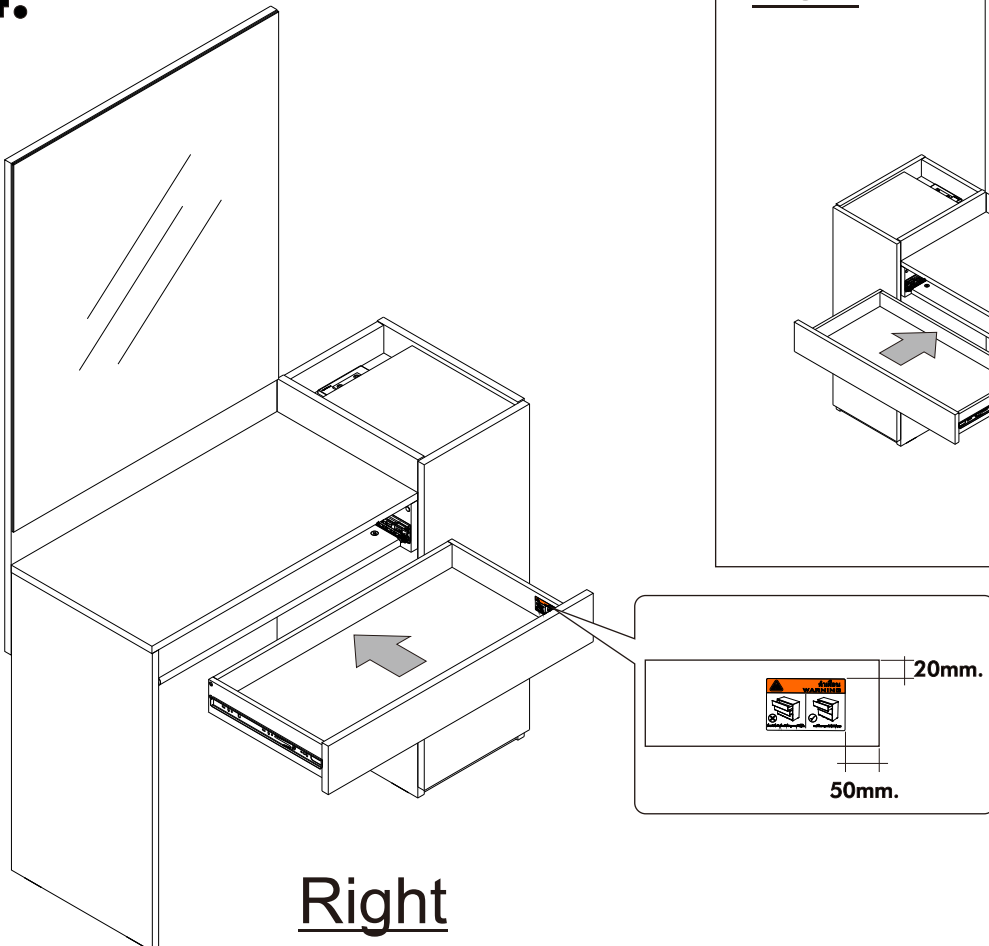


13.



Right

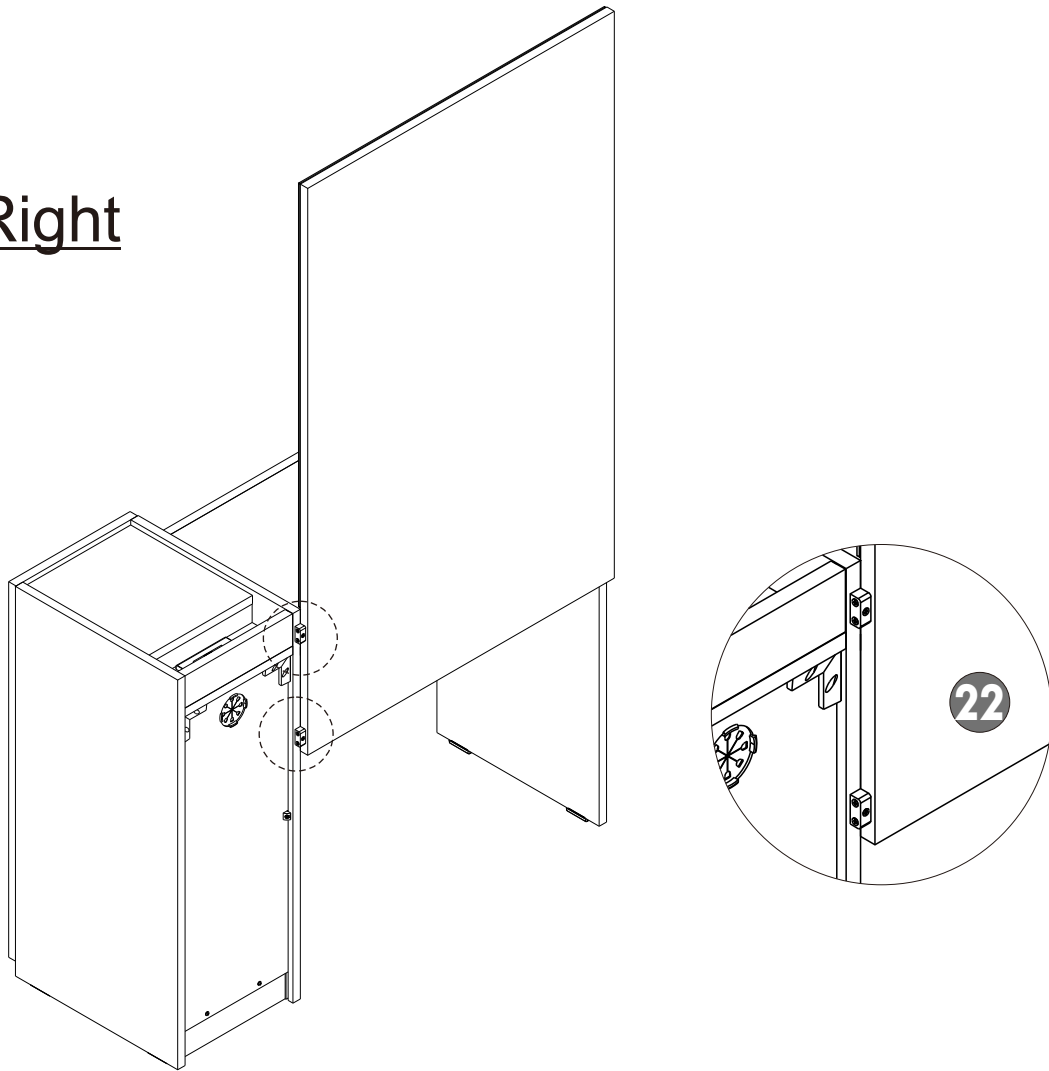
14.



Right

11.

Right



12.

Left

