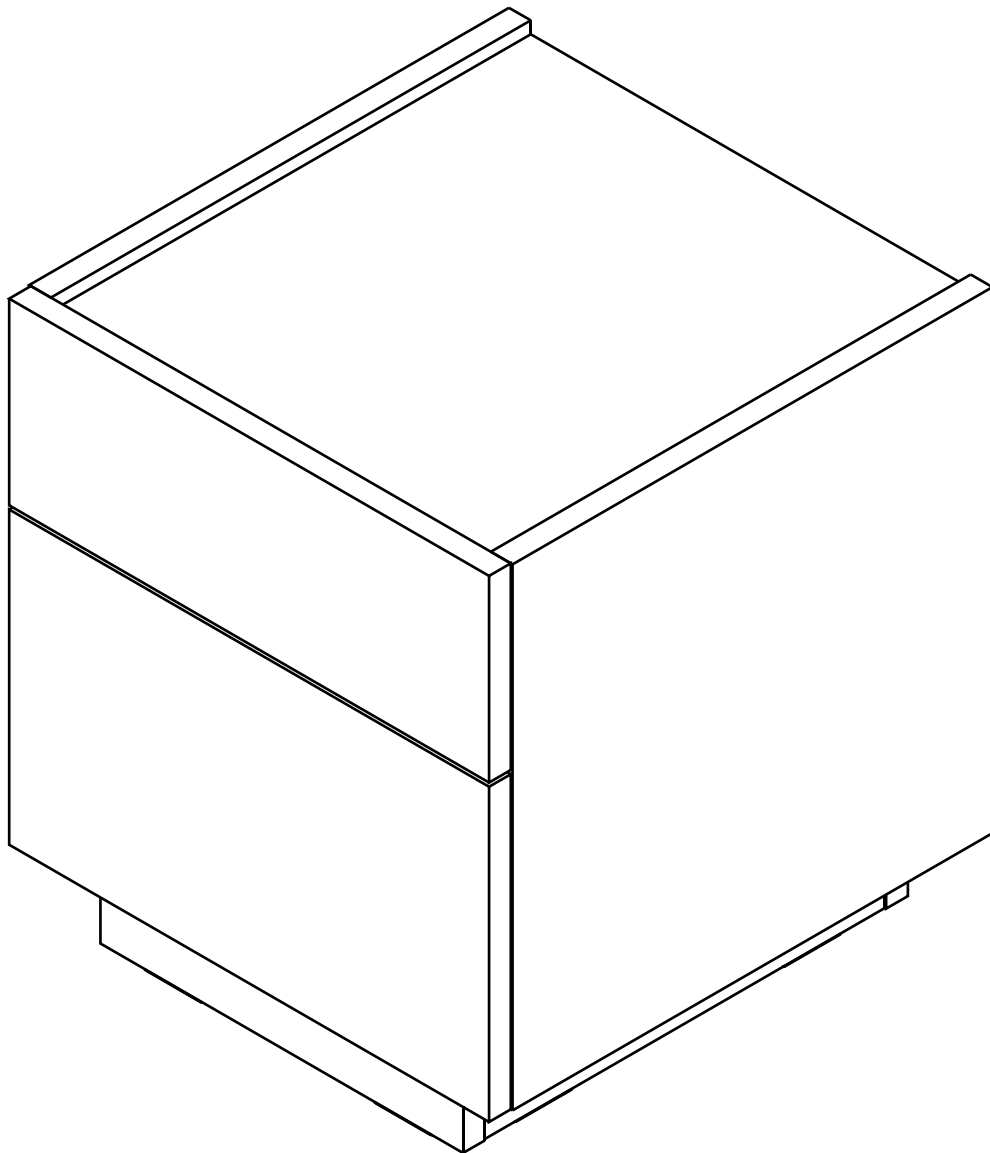


# TRAVERTINE

**Night stand**



# CONNECT SYSTEM

**1**

**3**

**2**

(Connecting bolts)

**WHEN FITTING CAMS**  
 ENSURE STARTING POSITION IS CORRECT  
 BEFORE YOU INSERT CONNECTING BOLT  
 TURN CLOCKWISE UNTIL SECURE

<input checked="" type="checkbox"/>	<input type="checkbox"/>	<input type="checkbox"/>	<input checked="" type="checkbox"/>
 CORRECT	 WRONG		

**1 Pc.**

EQ EQ

≤ 190mm.

40mm. 40mm.

**2 Pcs.**

≥ 191-850mm.

100mm. EQ EQ 100mm.

**3 Pcs.**

> 850-2000mm.

100mm. EQ EQ EQ 100mm.

**4 Pcs.**

> 2001mm.

M4x16mm.

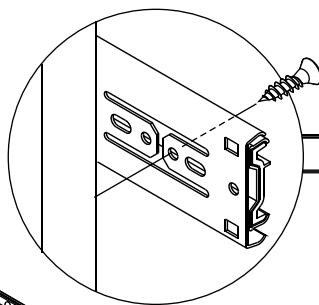
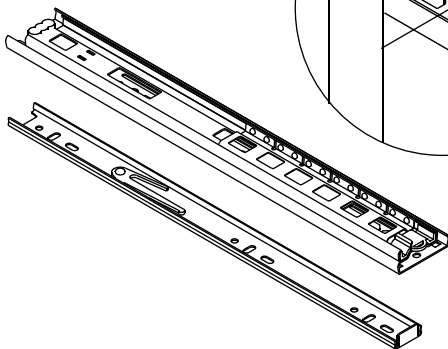
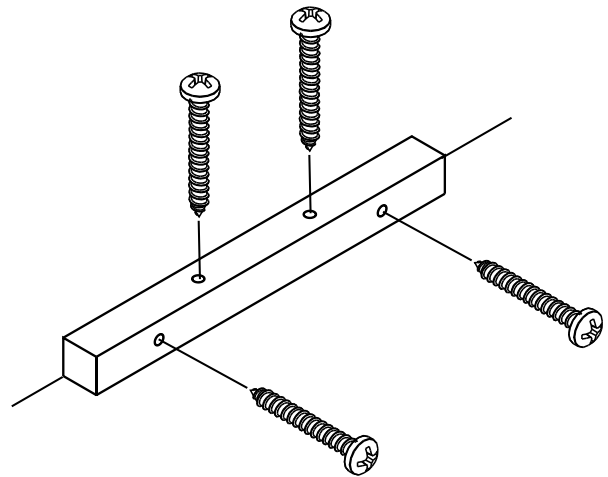
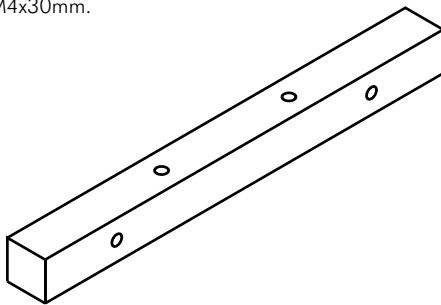
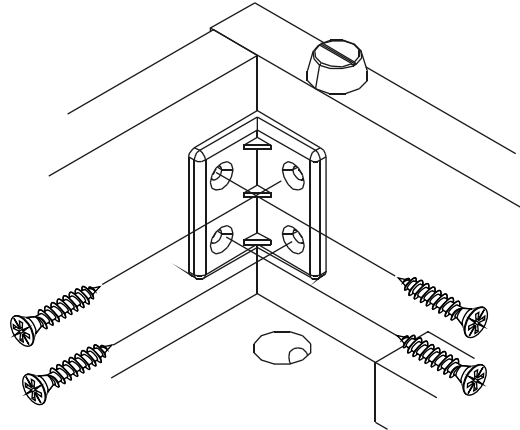
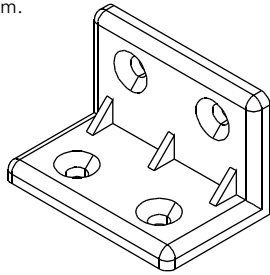
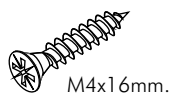
OUT IN

**i**

40mm.

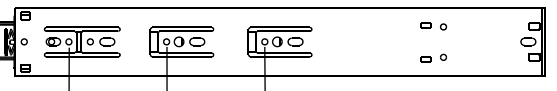
---

EQ

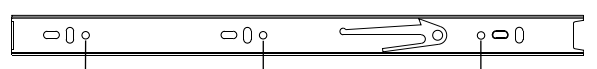


**1**

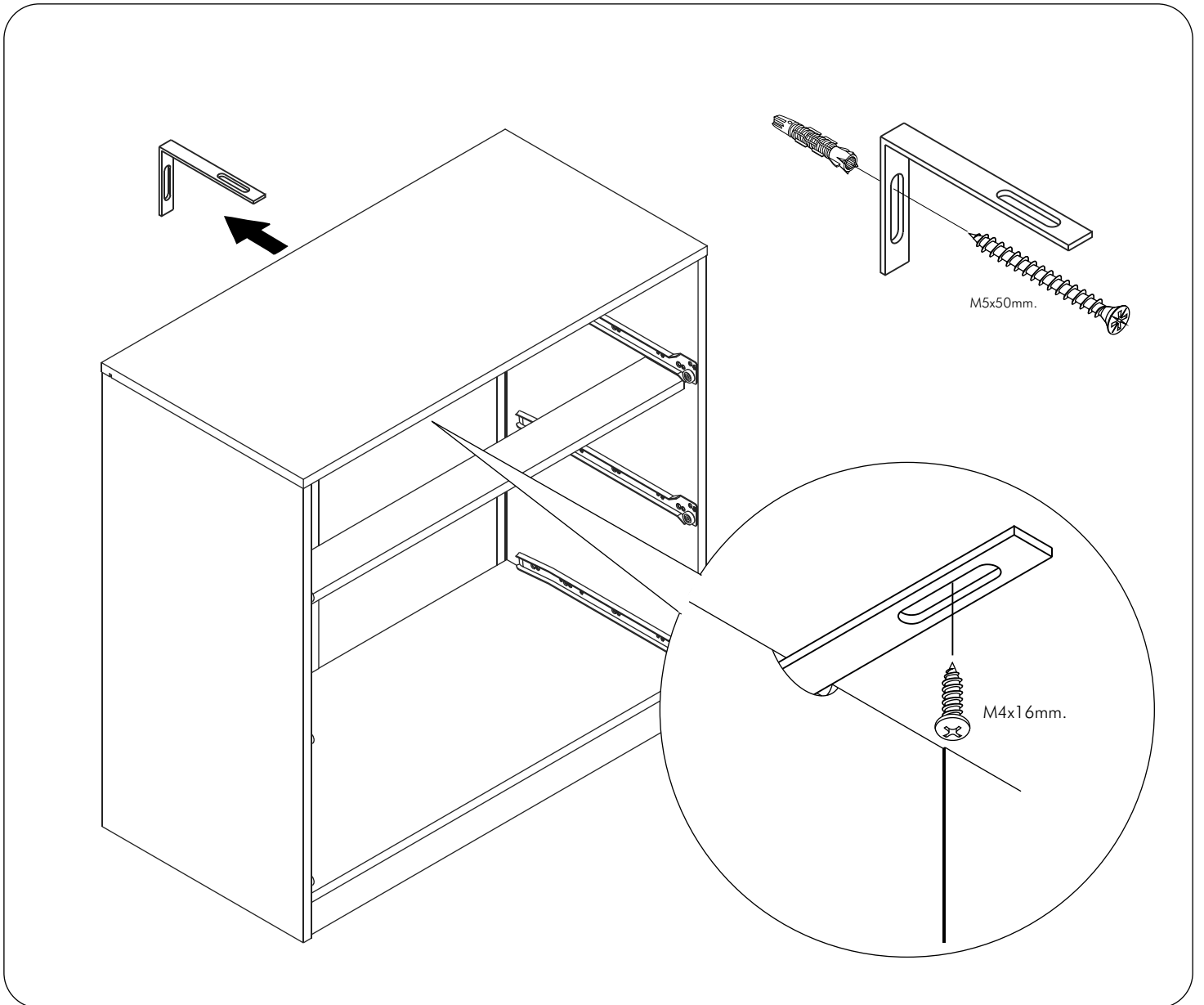
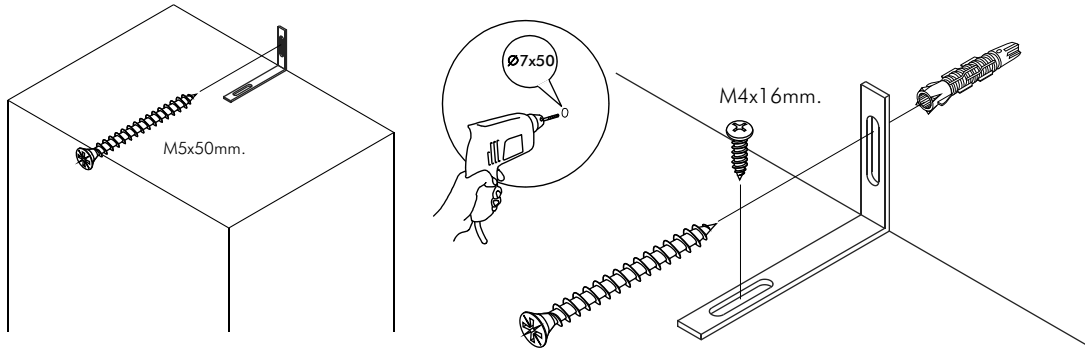
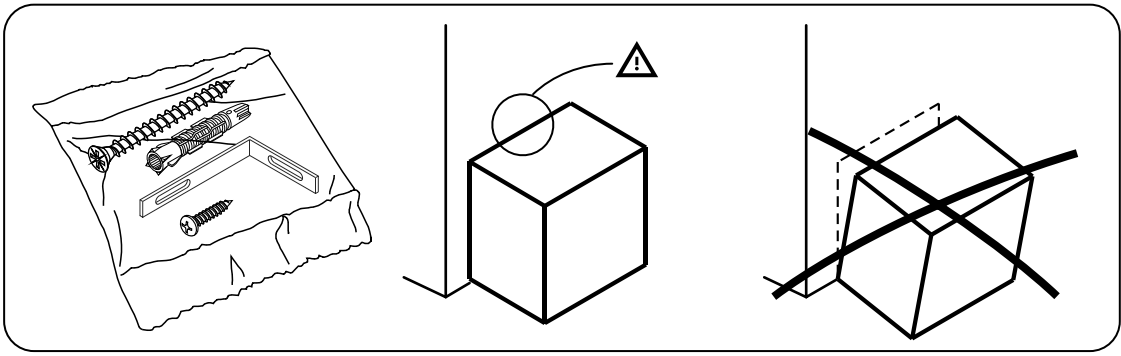
**2**



Use these holes

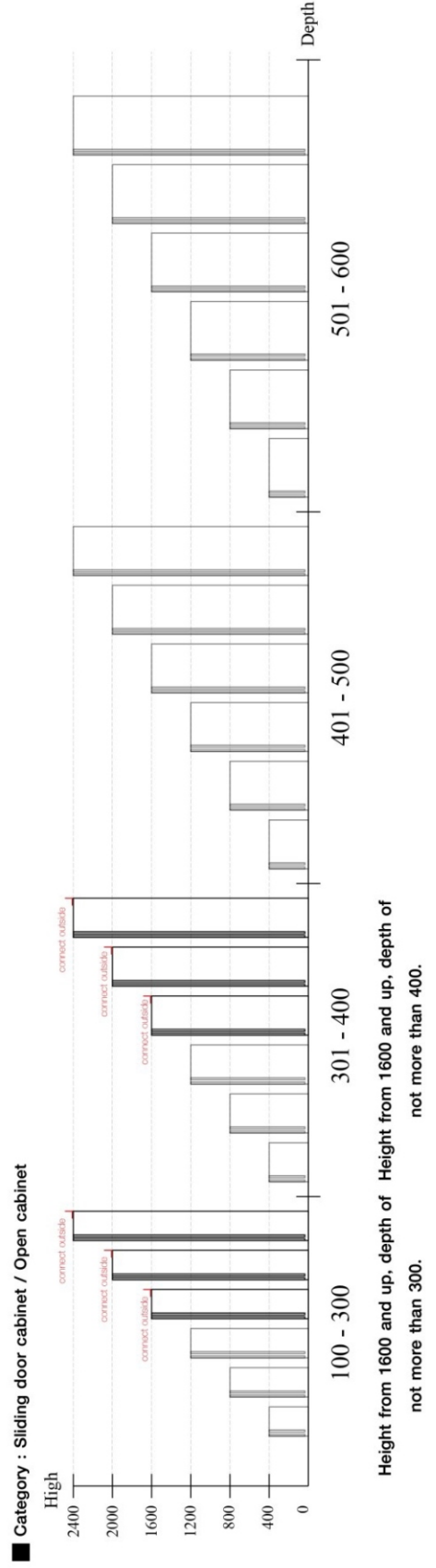
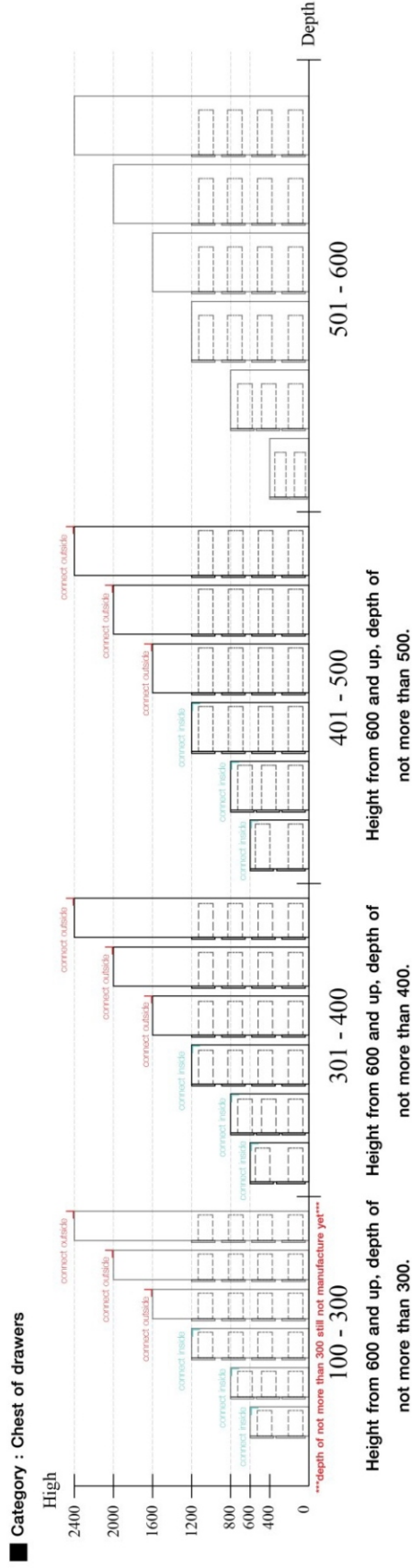
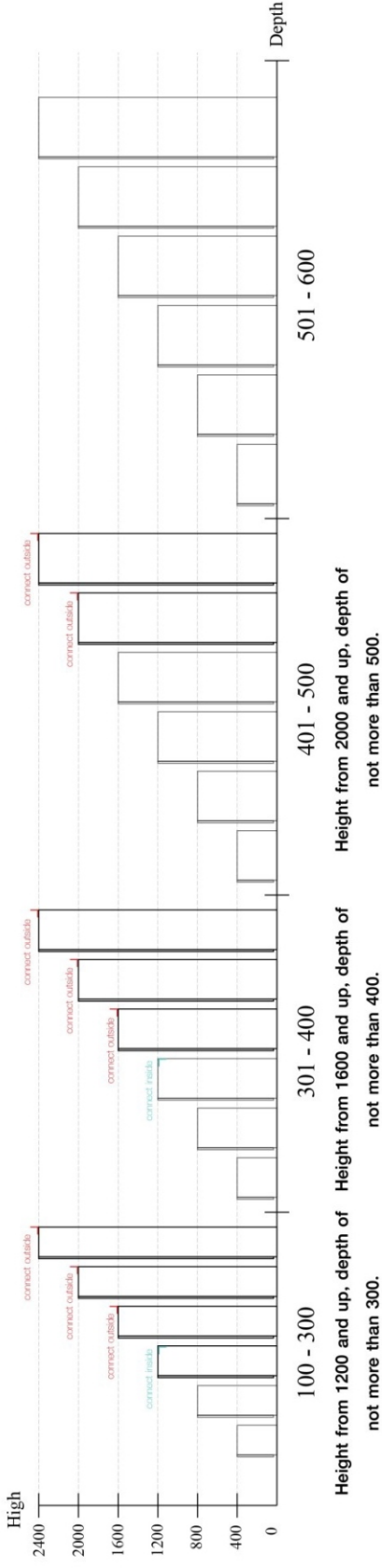
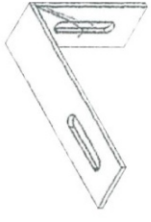


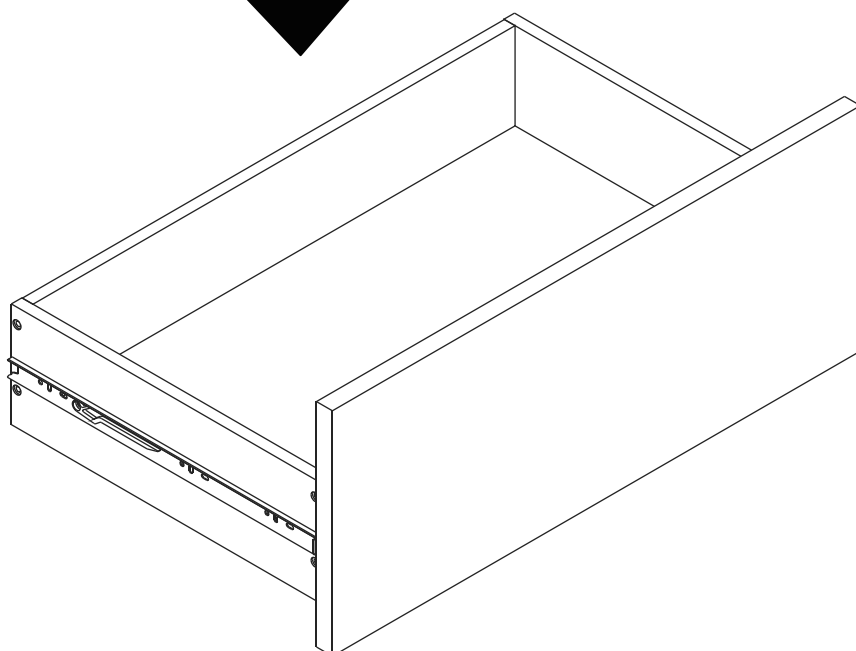
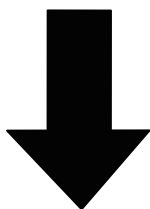
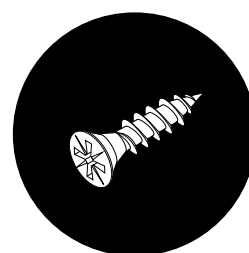
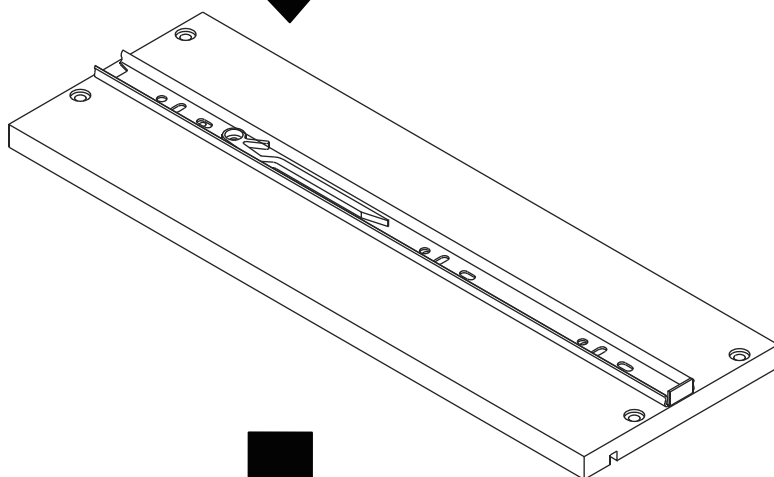
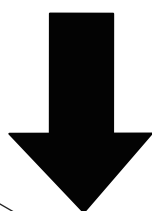
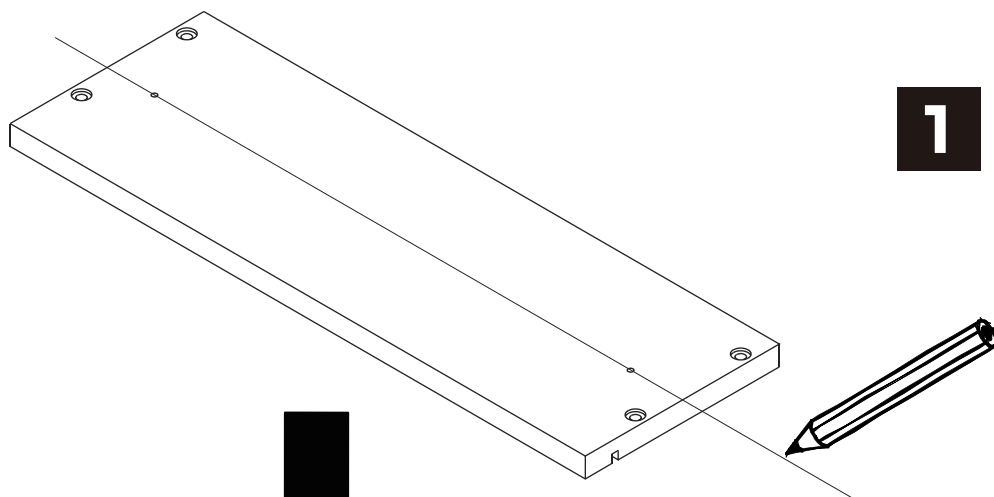
Use these holes



**■ The Standard for identifying which mounted safety fall protection fitting to use** **Note : That children's products must be installed with all anti-falling fittings.**

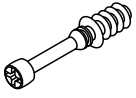
■ Mounted fall protection fittings





# HARDWARE

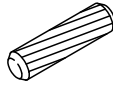
## -BODY SET



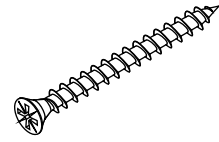
**x 4**



**x 4**

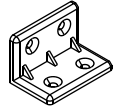


**x 8**

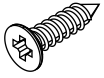


M5x50mm.

**x 1**



**x 10**

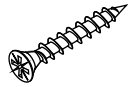


M4x16mm.

**x 56**

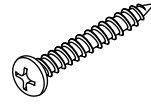


**x 8**



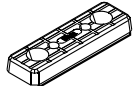
M3.5x20mm.

**x 8**

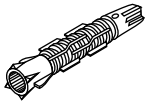


M4x30mm.

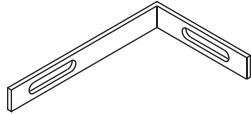
**x 8**



**x 8**



**x 1**



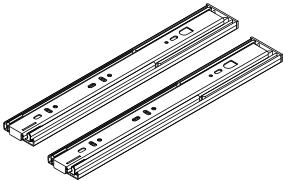
**x 1**



M4x16mm.

**x 1**

## -DRAWER SET

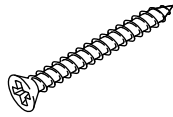


**x 2**



M3.5x13mm.

**x 24**



M4x40mm.

**x 16**



M6x23mm.

**x 4**



**x 1**

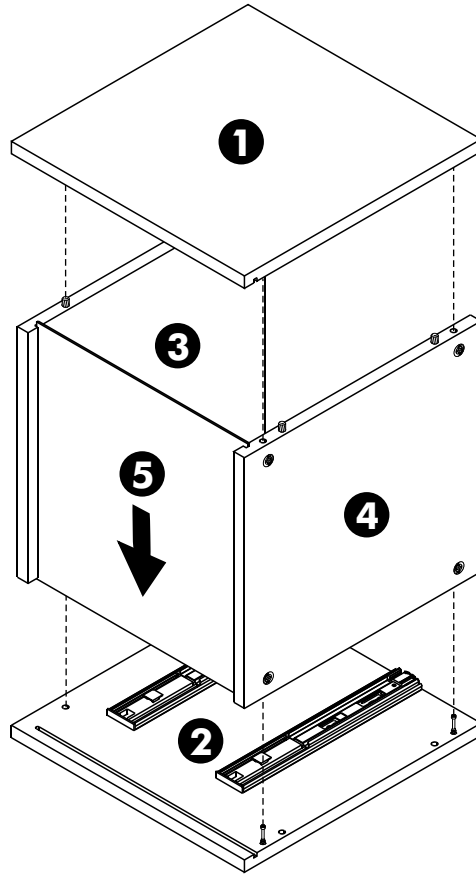


**x 1**

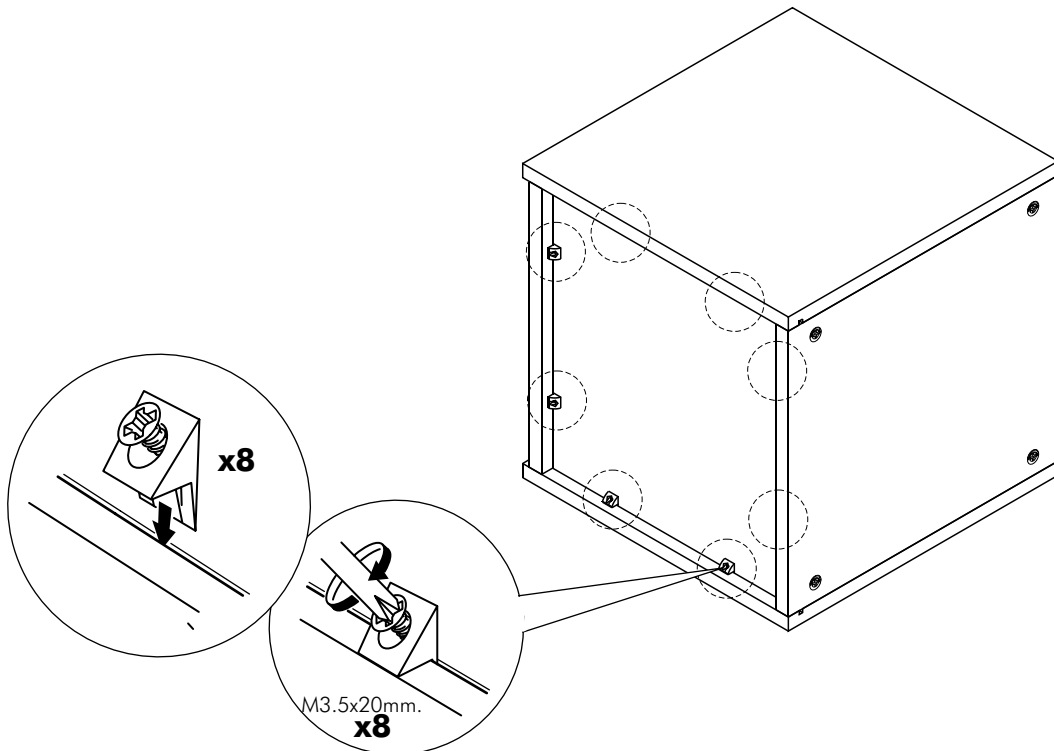
# ASSEMBLY

-BODY SET

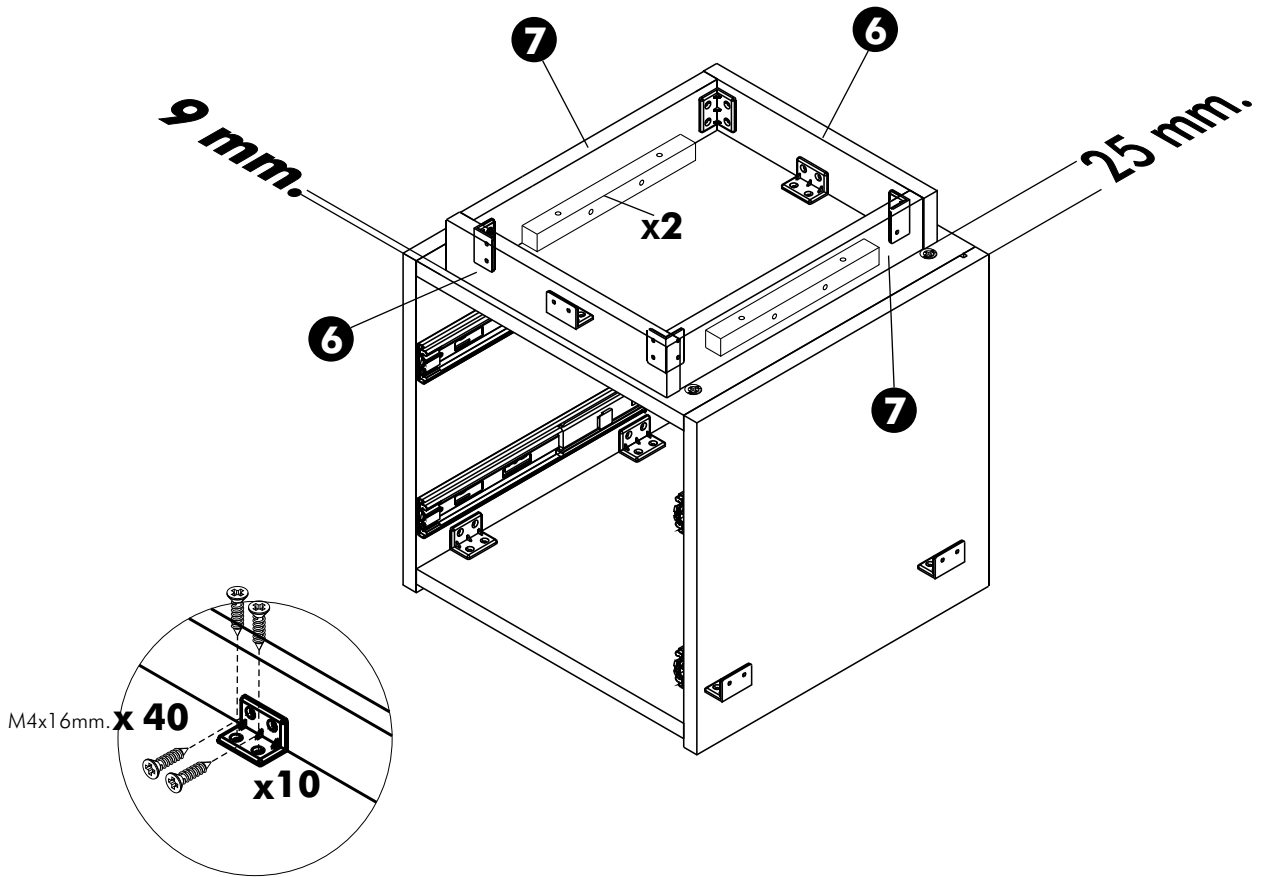
**1.**



**2.**



**3.**



**ASSEMBLY**

-DRAWER SET

