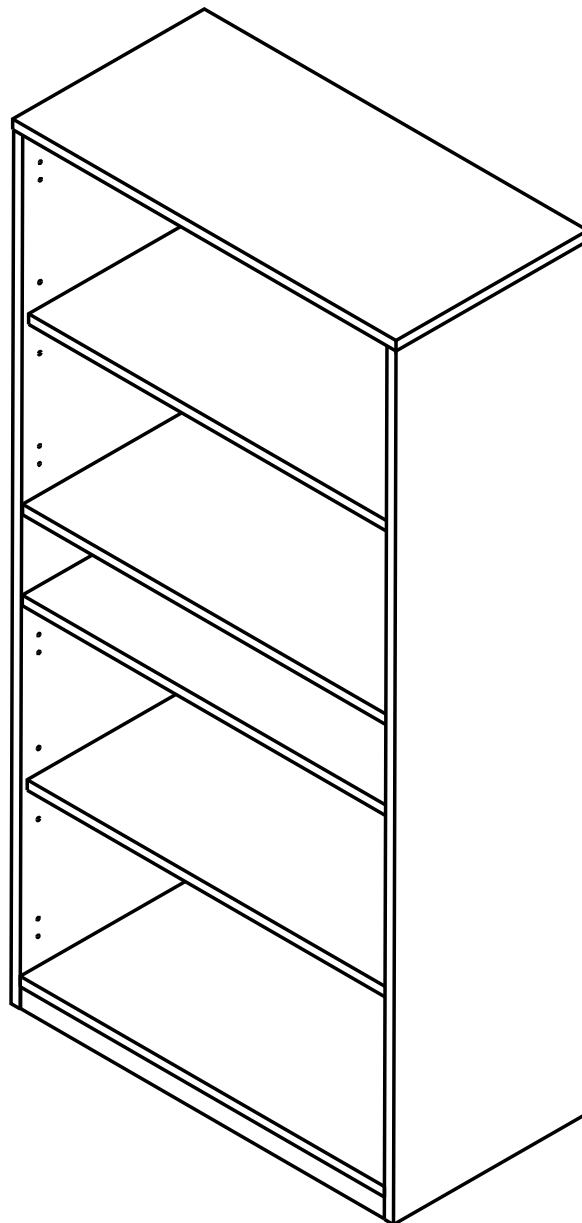
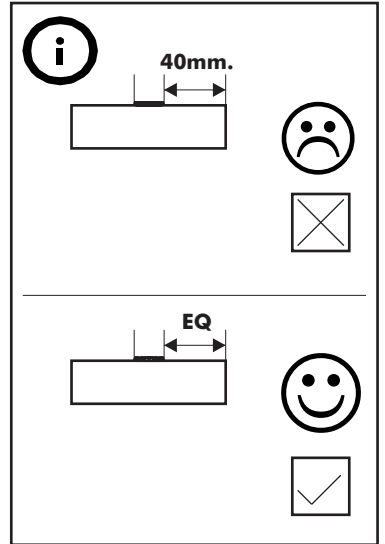
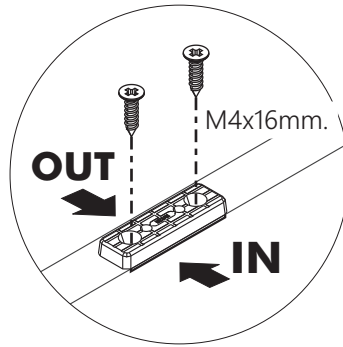
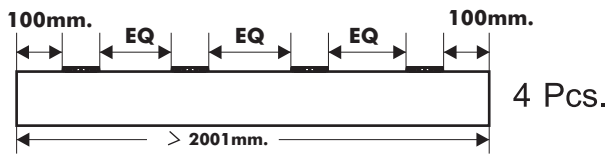
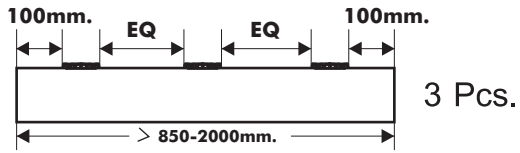
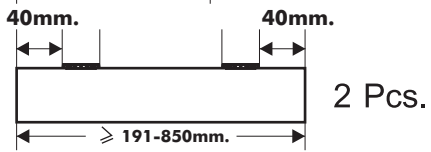
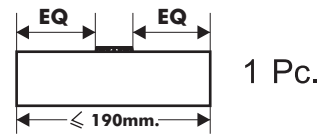
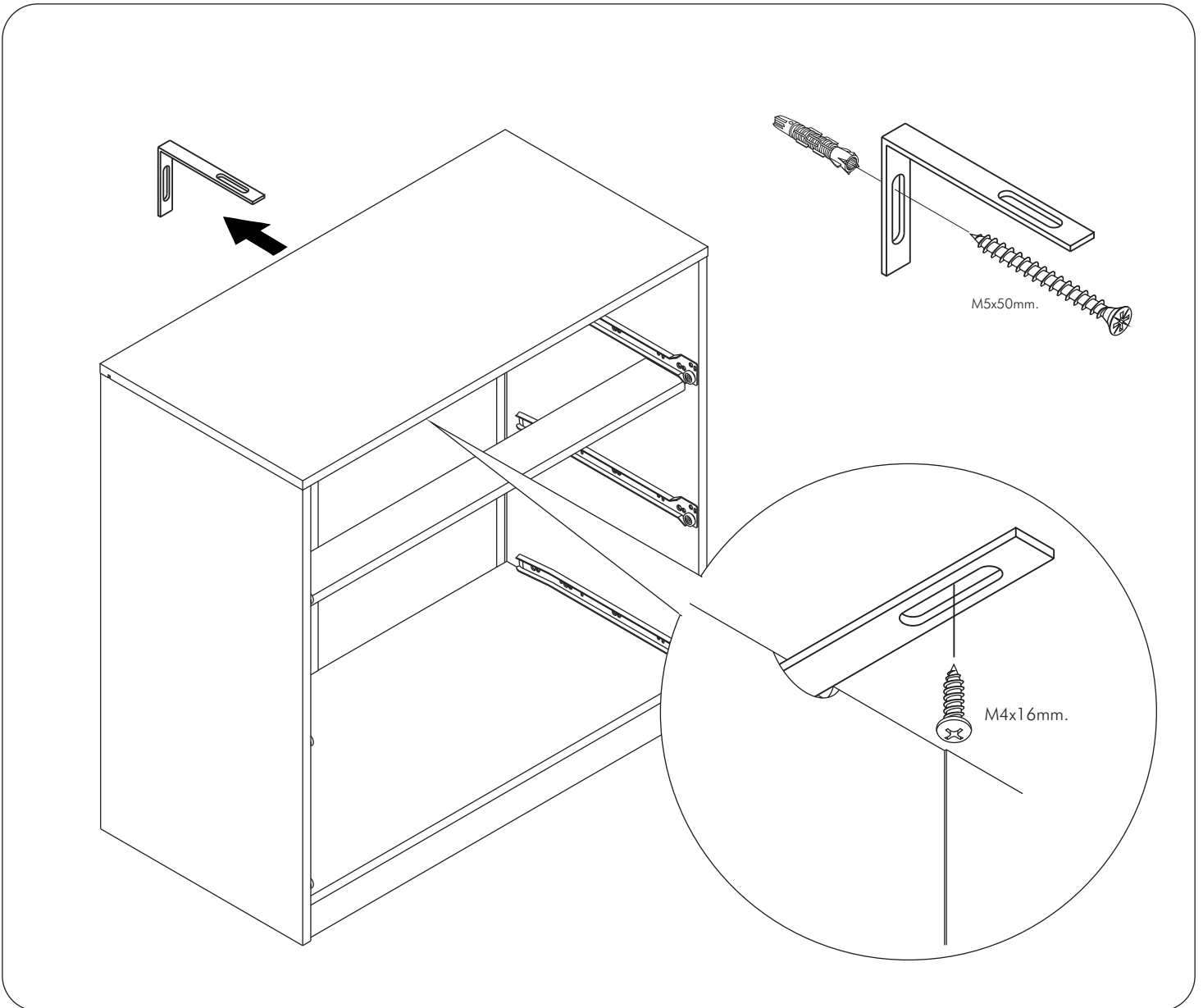
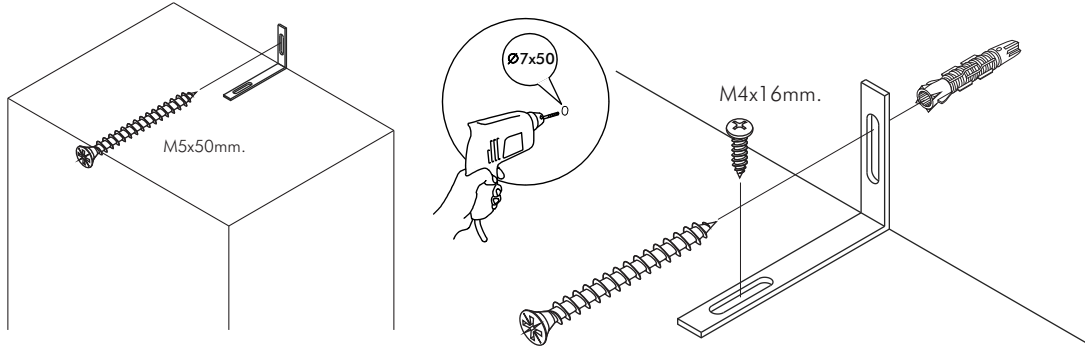
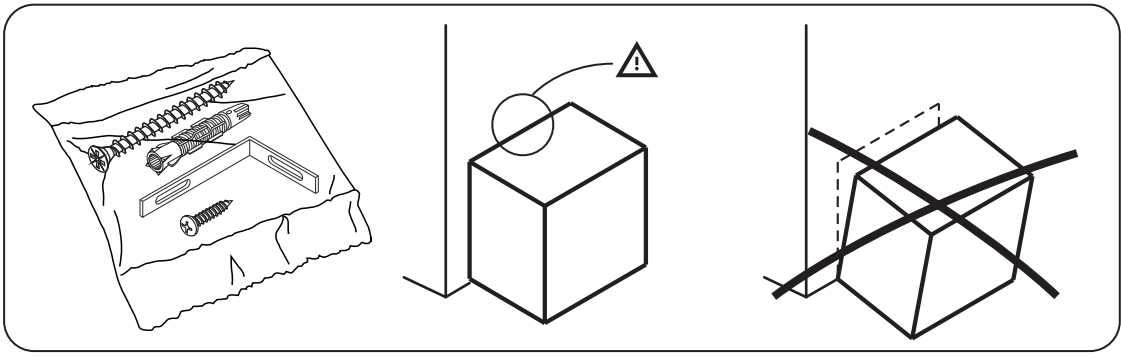


# STYLO - P

High cabinet 80 cm.

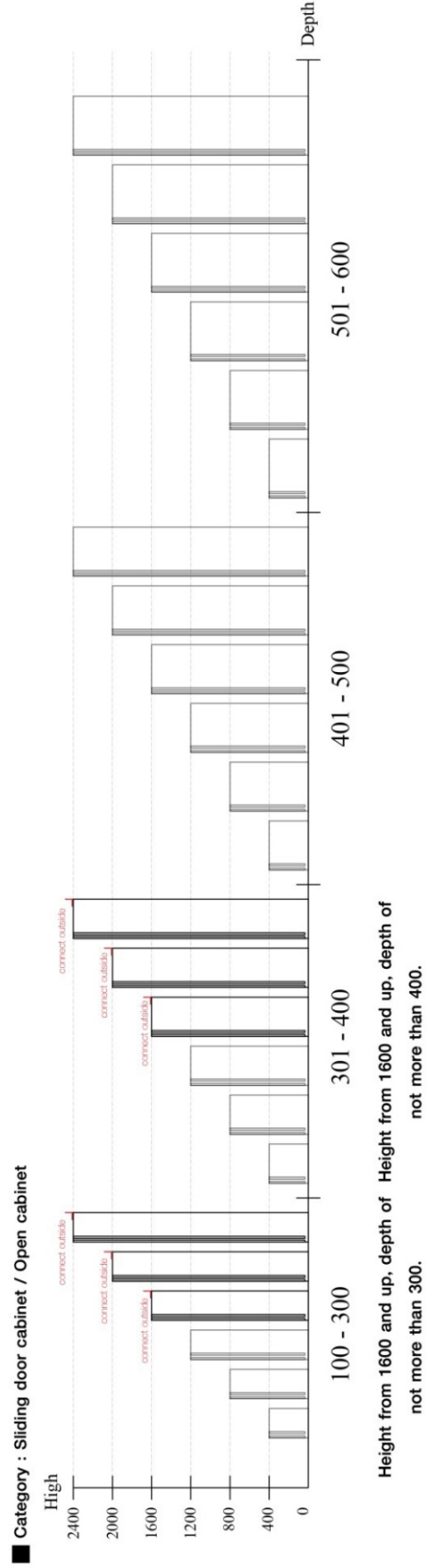
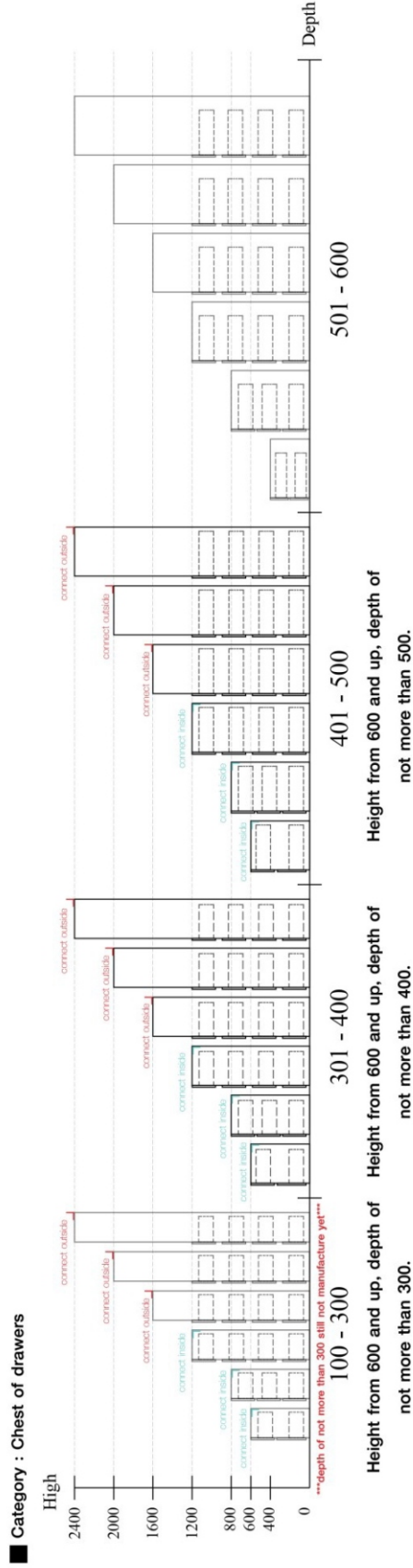
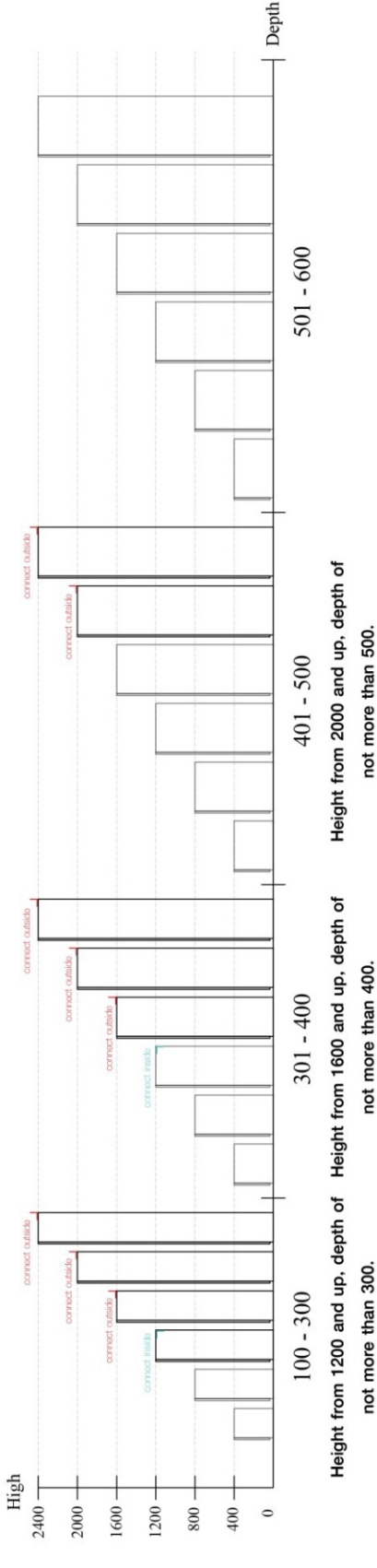
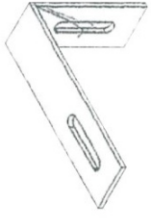






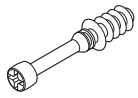
■ **The Standard for identifying which mounted safety fall protection fitting to use** **Note : That children's products must be installed with all anti-falling fittings.**

■ Mounted fall protection fittings



# HARDWARE

## -BODY SET

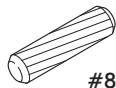


**x 16**



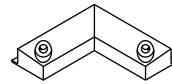
19mm.

**x 16**



#8x35

**x 16**



**x 2**



**x 4**



**x 8**



**x 6**



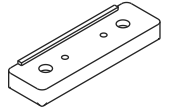
M4x16mm.

**x 40**

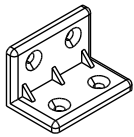


M3.5x20mm.

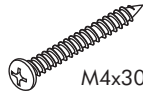
**x 10**



**x 8**

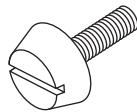


**x 6**



M4x30mm.

**x 4**

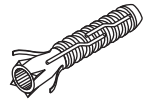


**x 4**

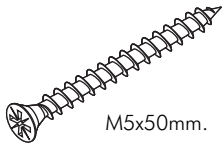


M4x16mm.

**x 9**

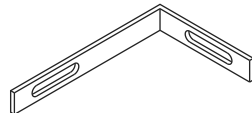


**x 1**



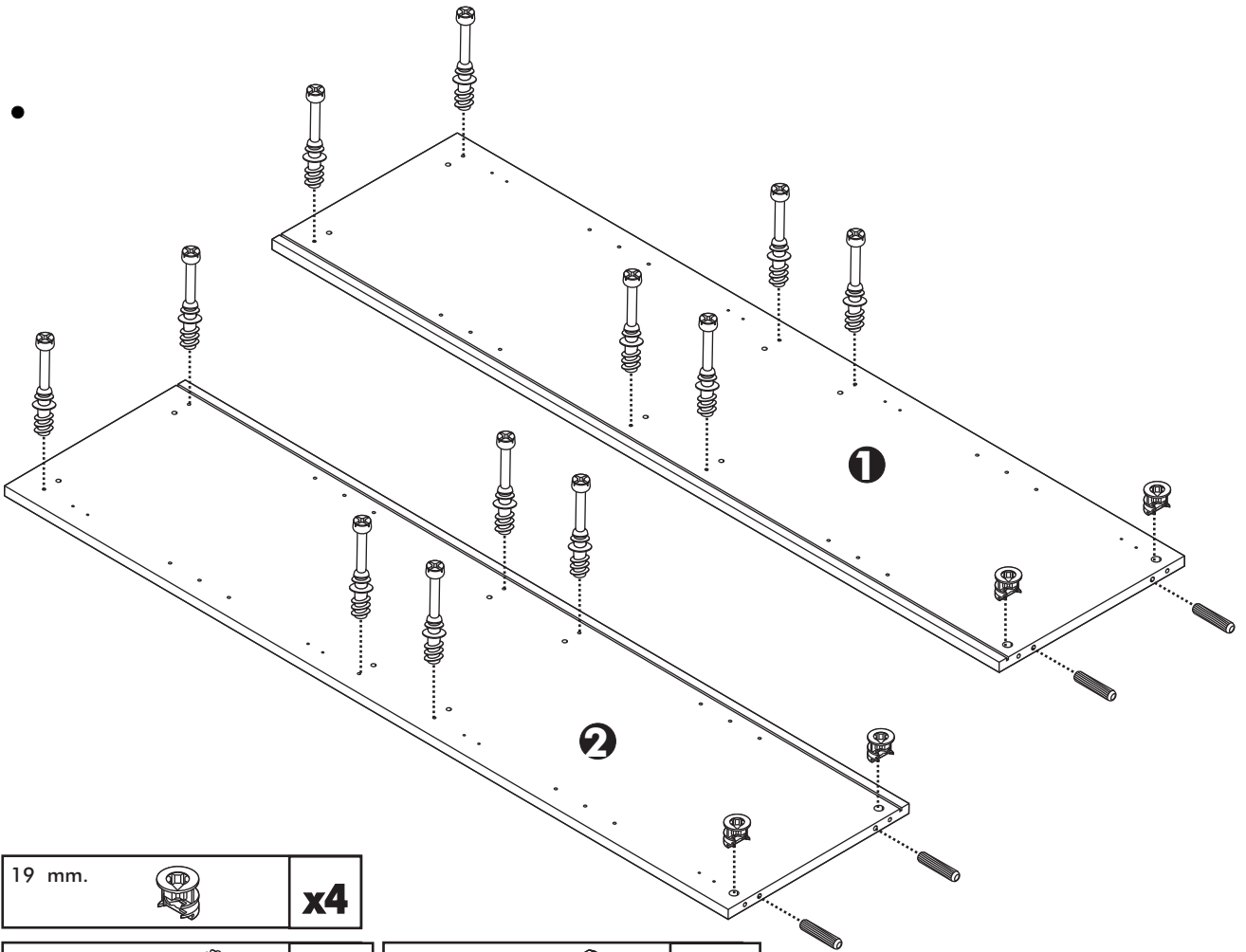
M5x50mm.


**x 1**

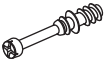


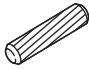
**x 1**

**1.**

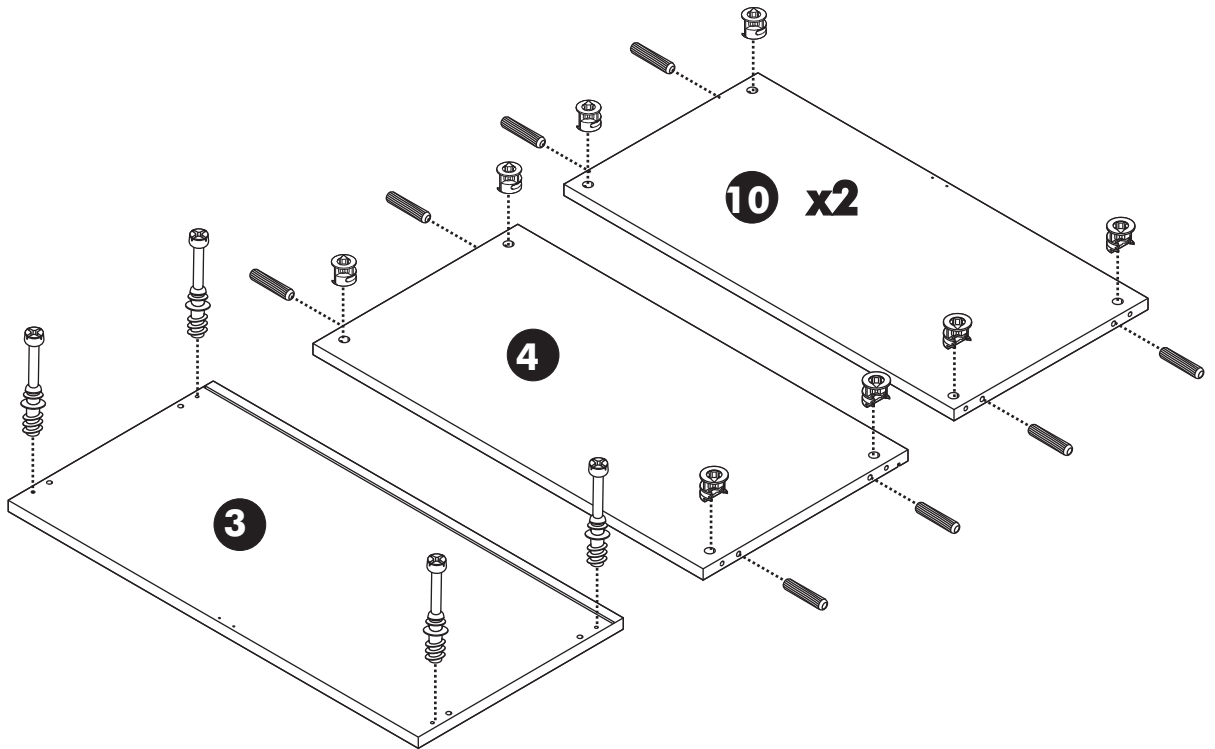


19 mm.		<b>x4</b>
--------	--	-----------

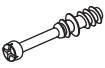
	<b>x12</b>
---	------------

	<b>x4</b>
---	-----------

**2.**

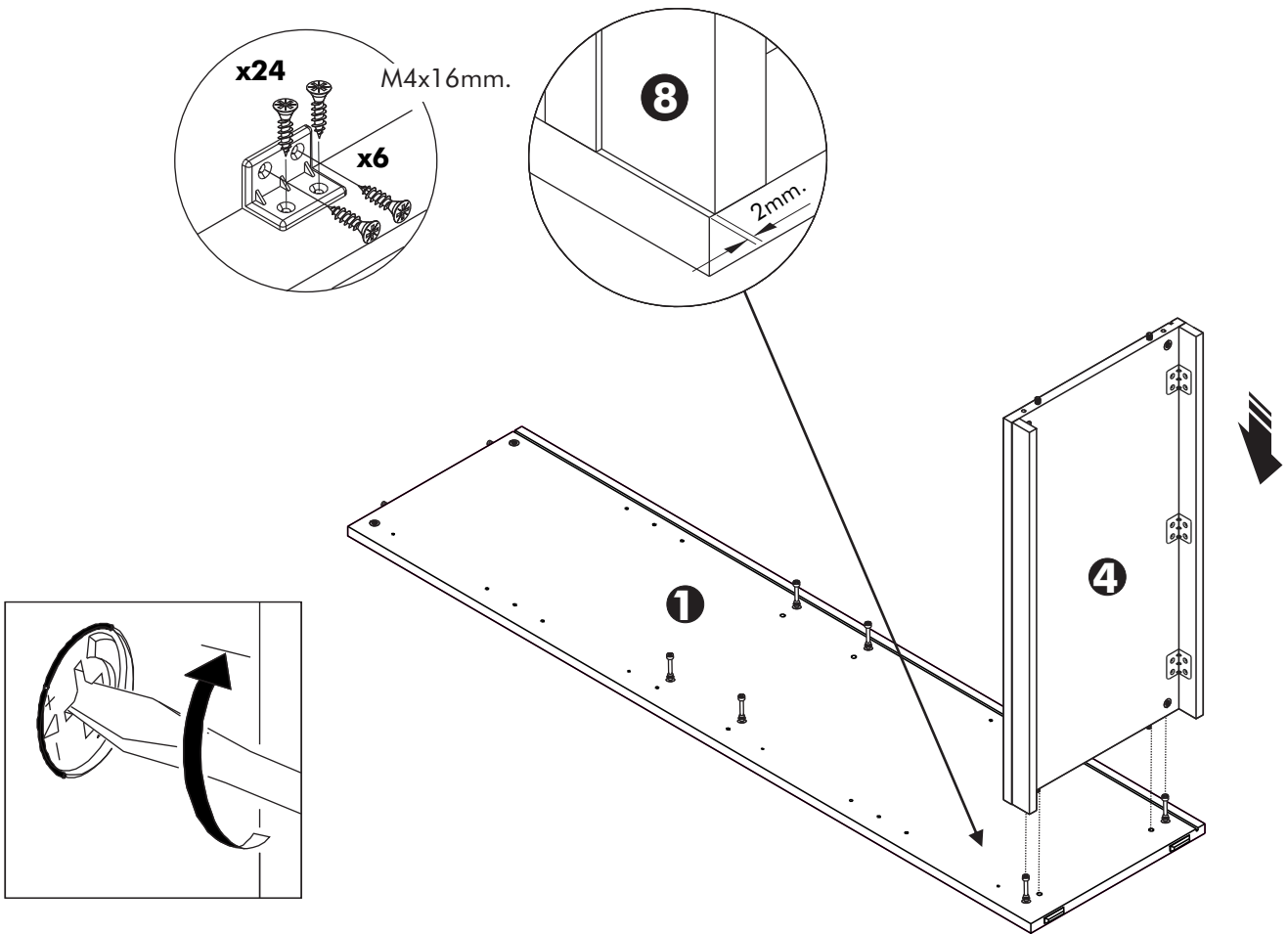


19 mm.		<b>x12</b>
--------	---	------------

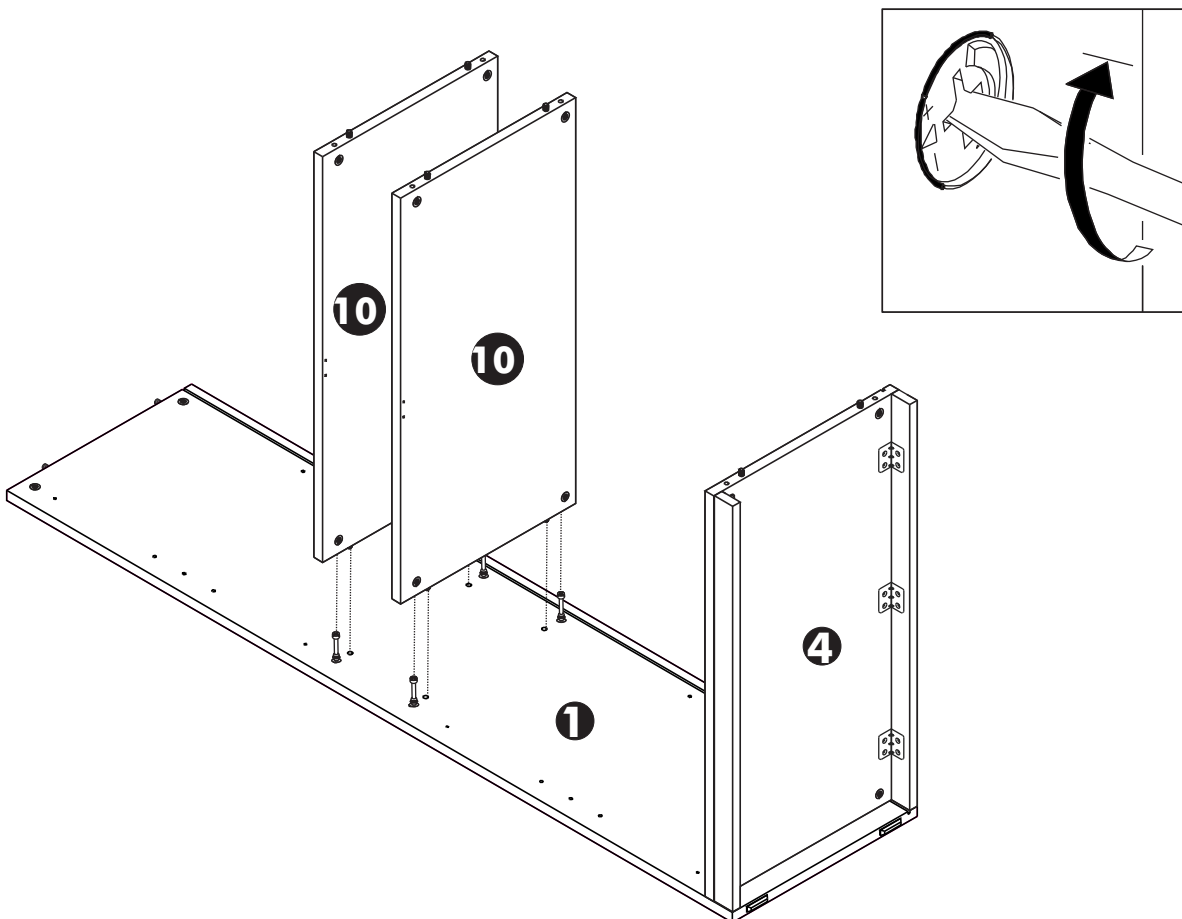
	<b>x4</b>
---	-----------

	<b>x12</b>
---	------------

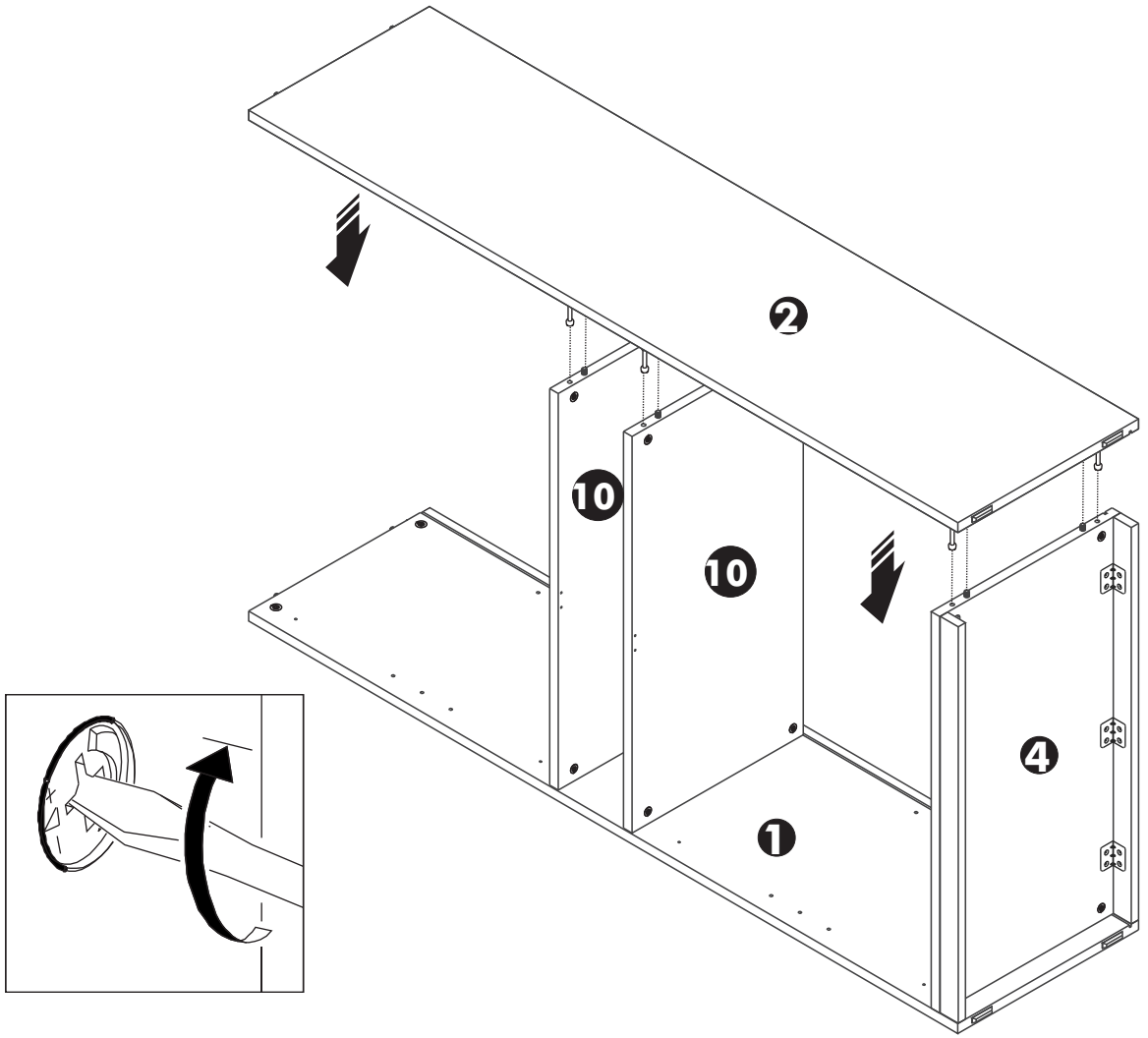
**3.**



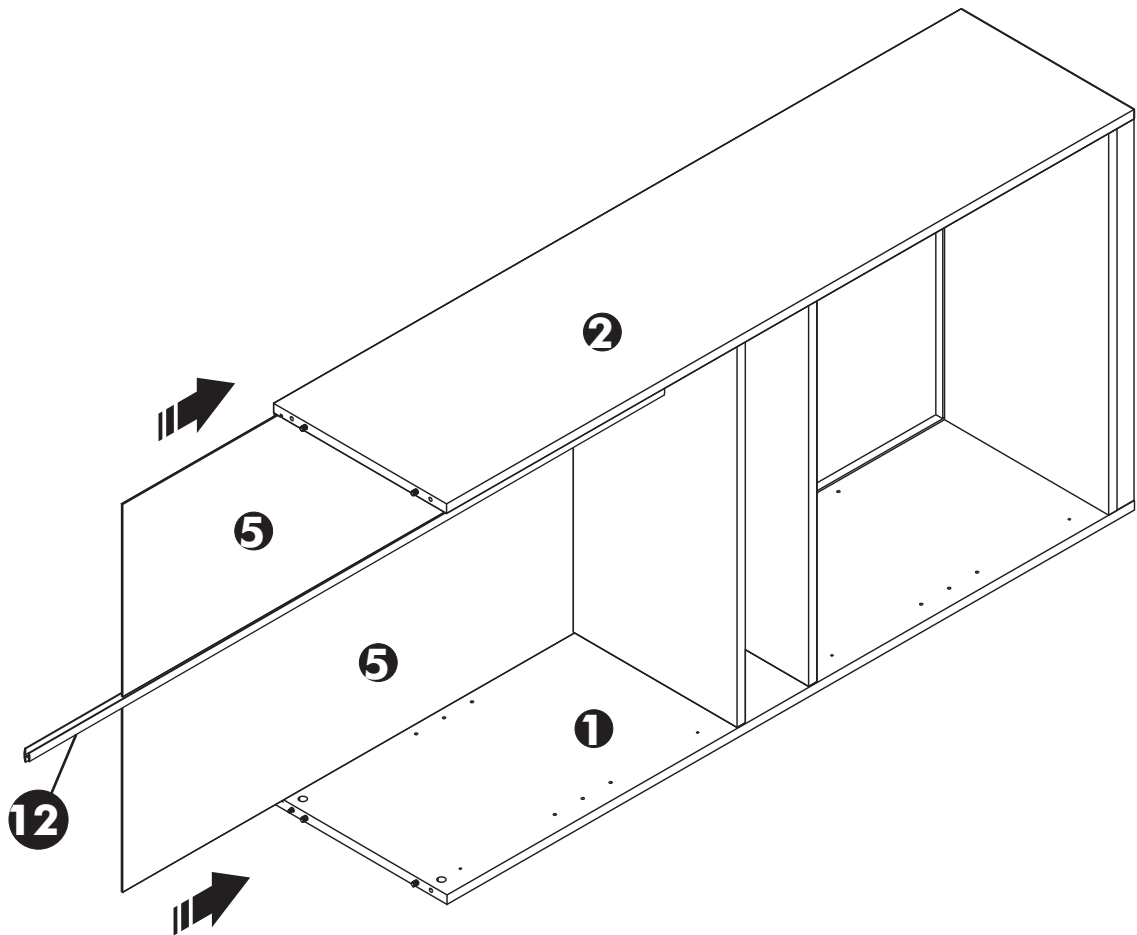
**4.**



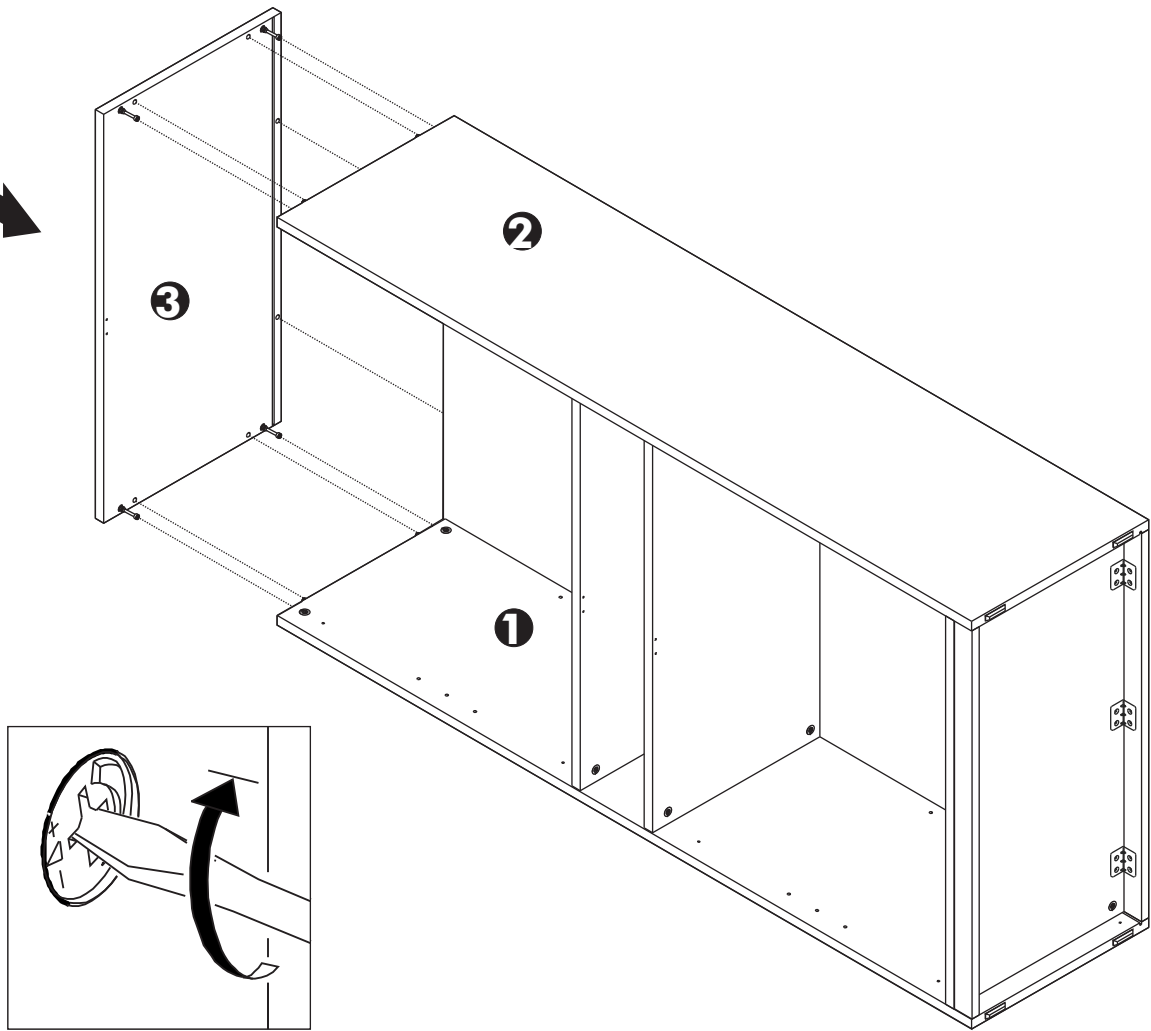
**5.**



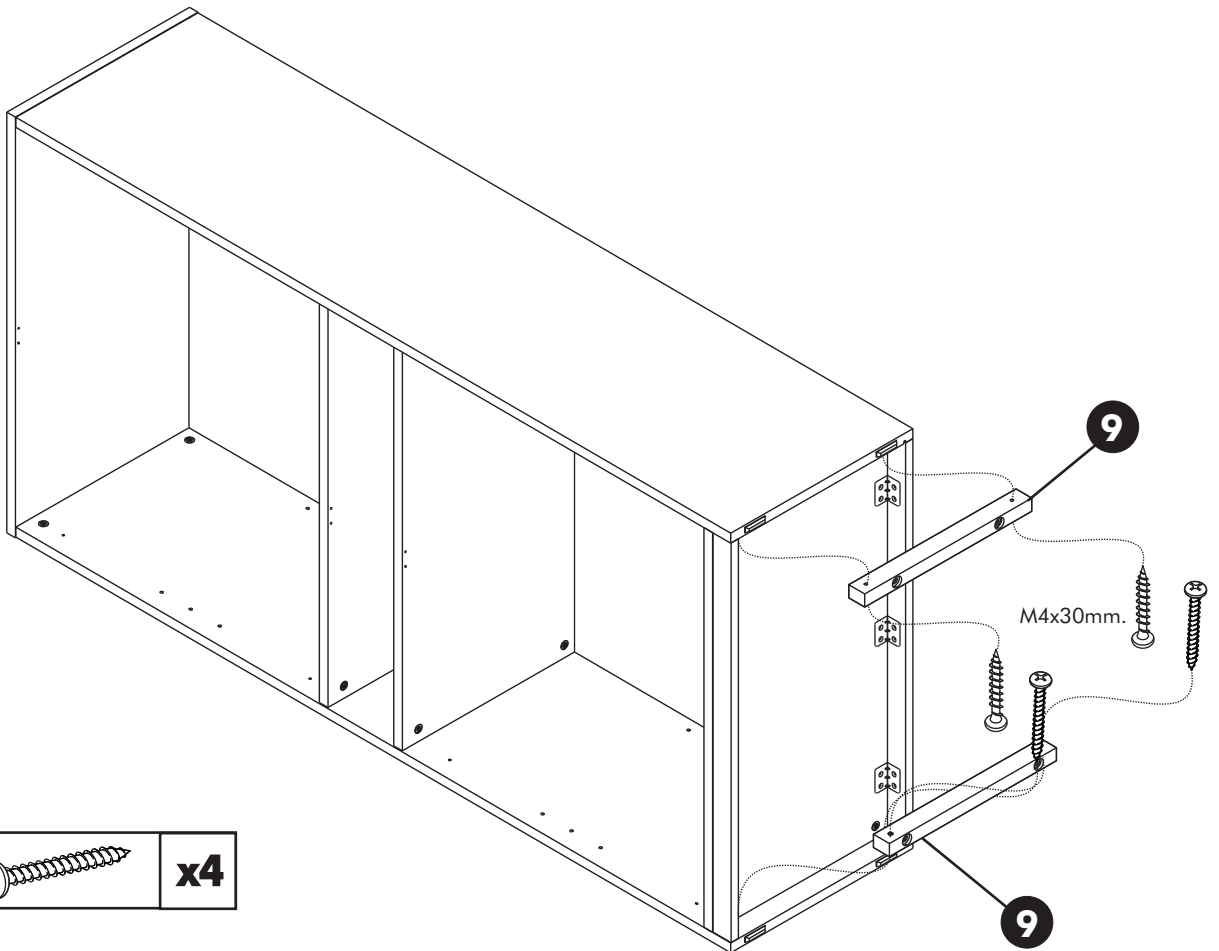
**6.**



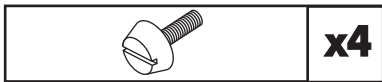
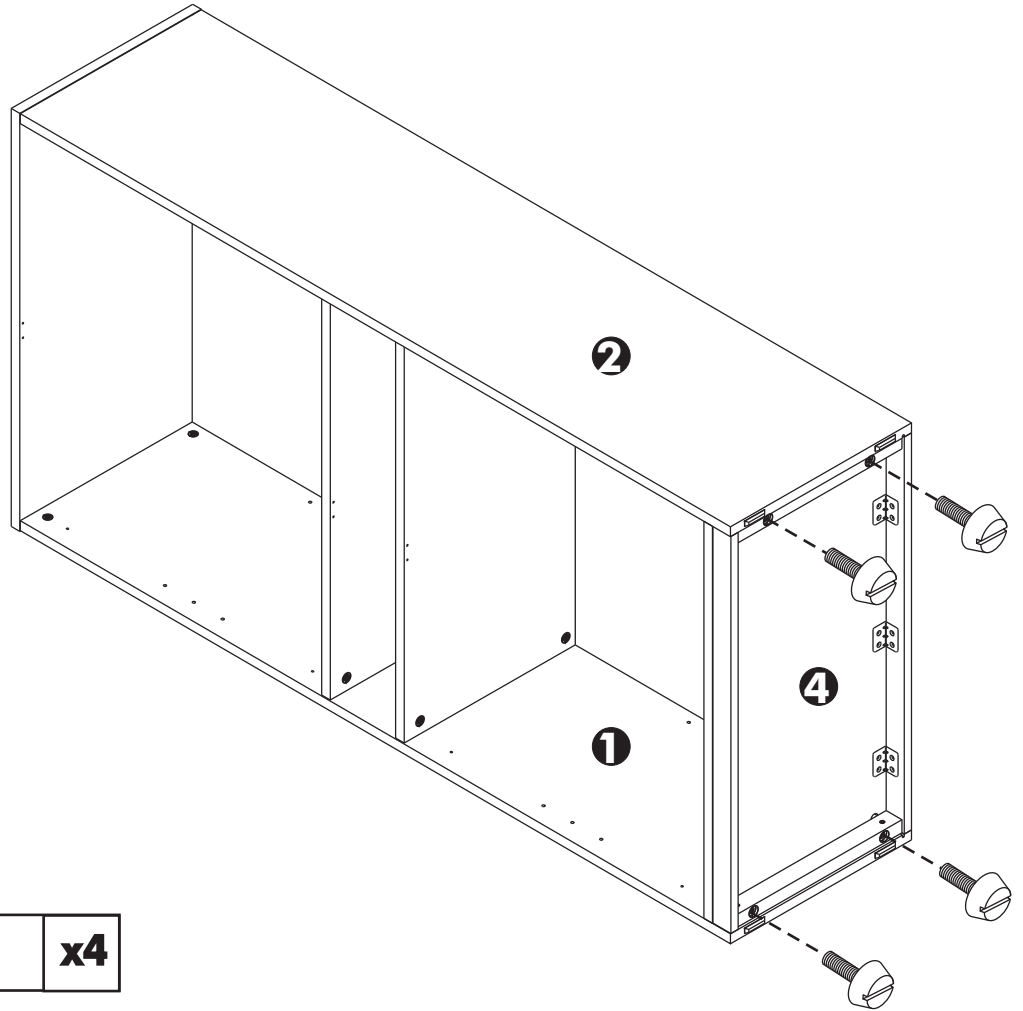
**7.**



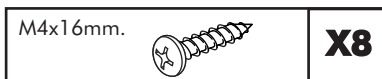
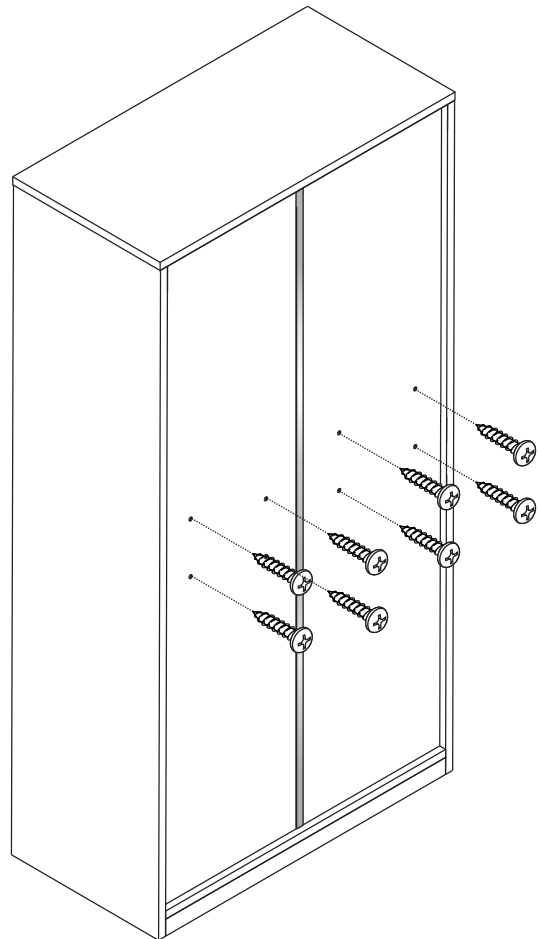
**8.**



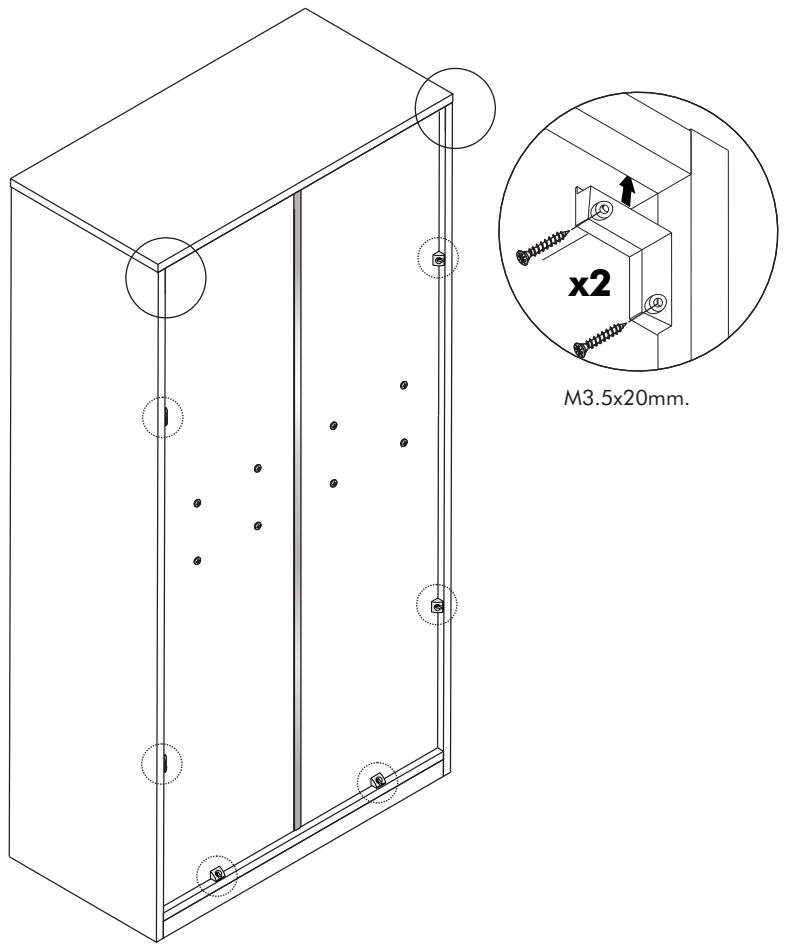
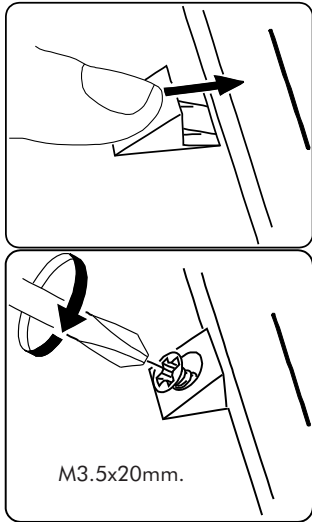
**9.**

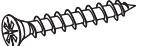



**10.**

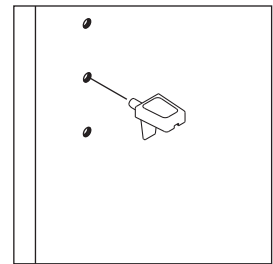
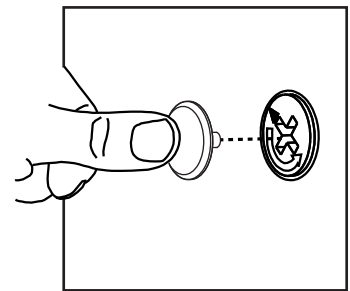
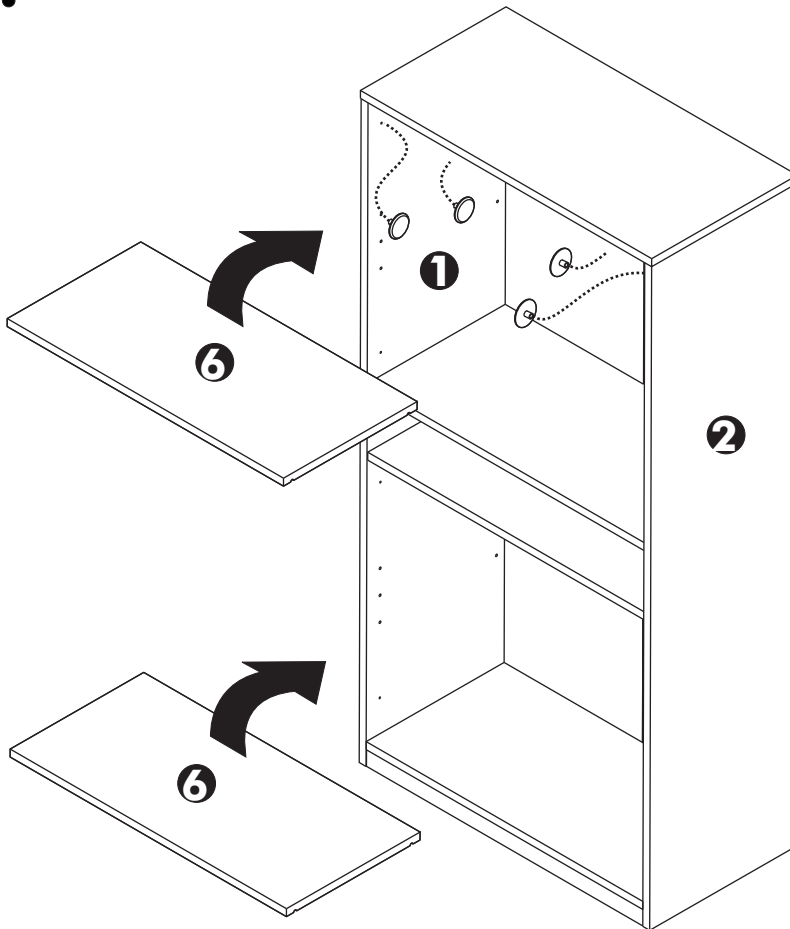


# 11.



M3.5x20mm. 	<b>x6</b>
	<b>x6</b>

# 12.



	<b>x8</b>		<b>x4</b>
---	-----------	---	-----------