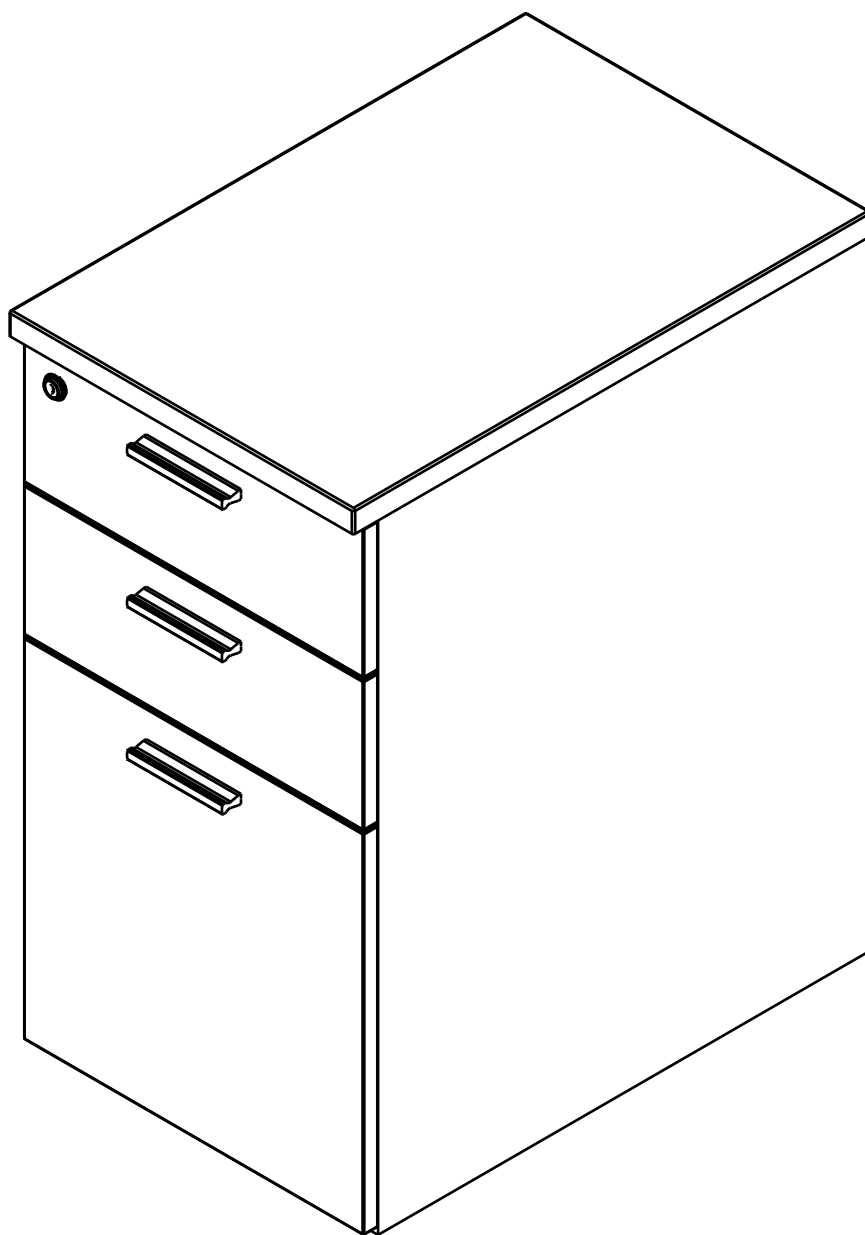
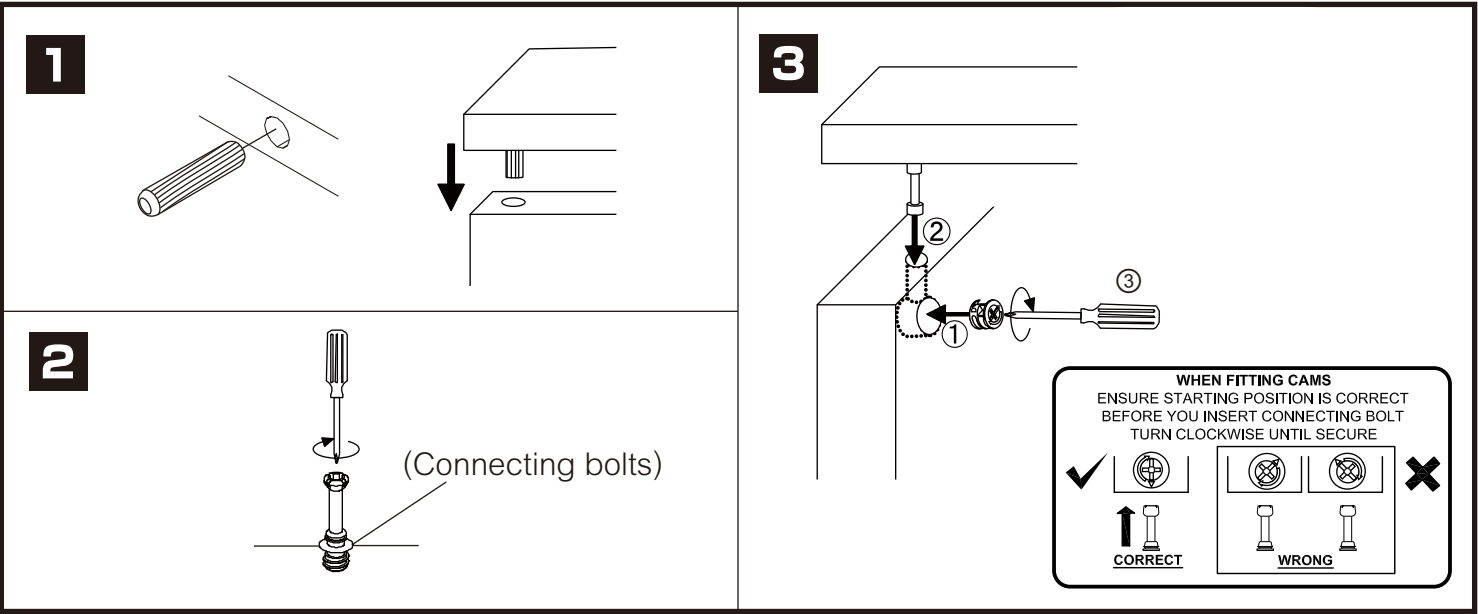


# ACTIVA-P

**High Mobile Pedestal A**

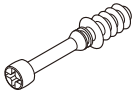


# CONNECT SYSTEM



# HARDWARE

## -BODY SET

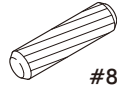


**x 12**



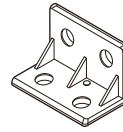
19mm.

**x 12**

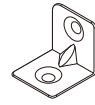


#8x35

**x 14**



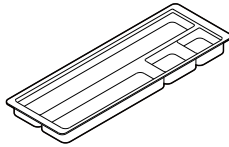
**x 2**



**x 4**



**x 6**



**x 1**



#6x1/2"

**x 2**



M4x16mm.

**x 16**



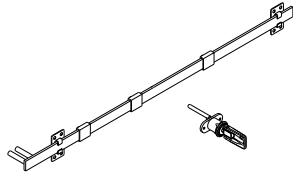
M4x20mm.

**x 6**



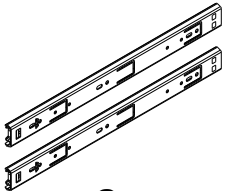
#5x1/2"

**x 8**



**x 1**

## -DRAWER SET

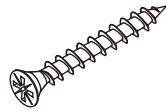


**x 3**



M3.5x12mm.

**x 36**



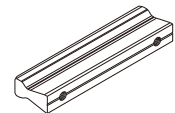
M4x40mm.

**x 30**

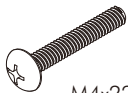


M6x23mm.

**x 8**

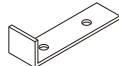


**x 3**



M4x22mm.

**x 6**



**x 3**

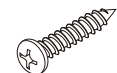


**x 1**



#5x1/2"

**x 6**



#5x5/8"

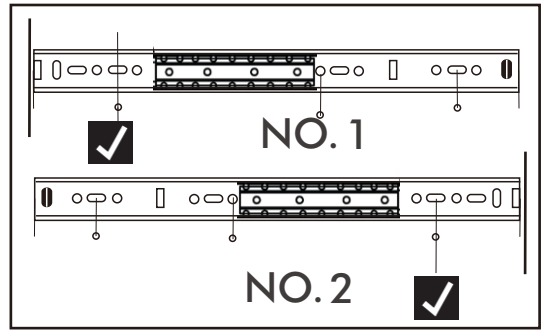
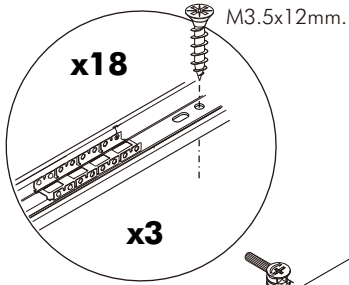
**x 2**



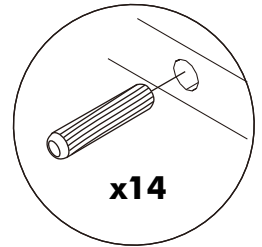
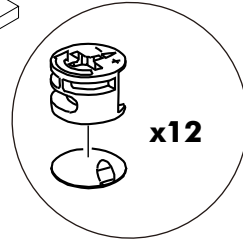
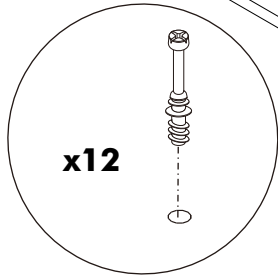
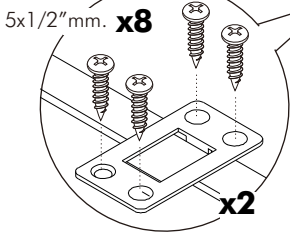
**x 1**

# 1.

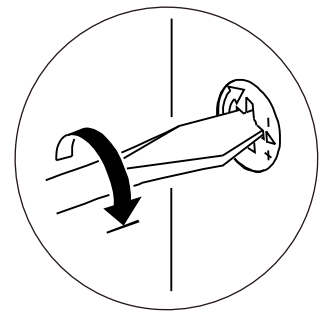
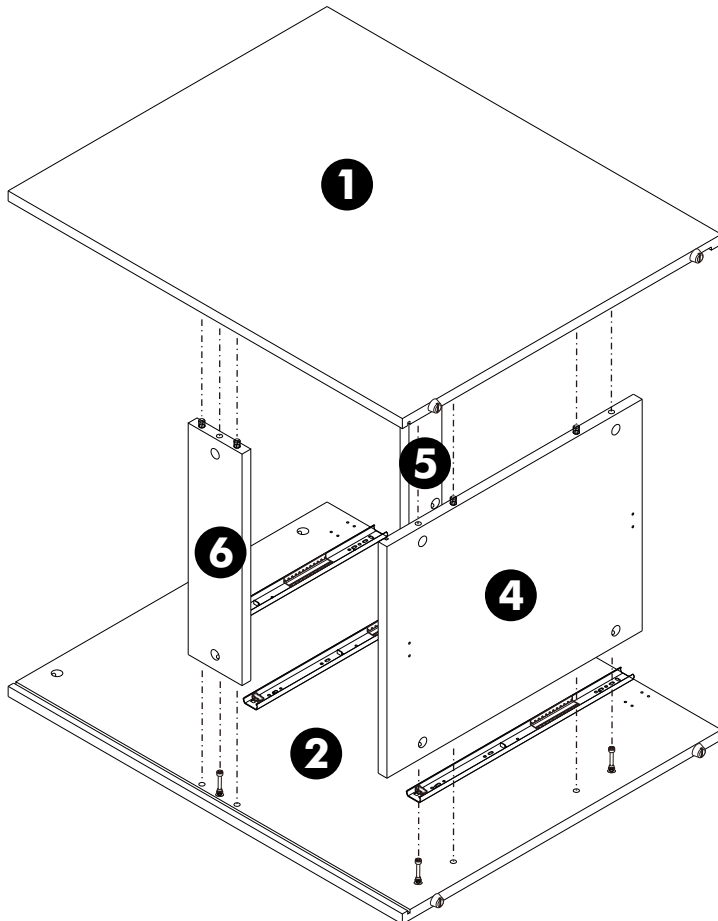
## STEP:2



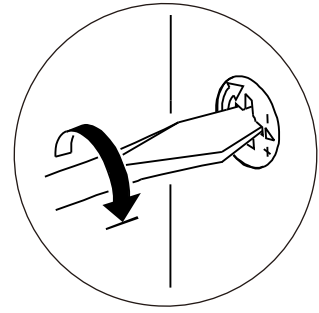
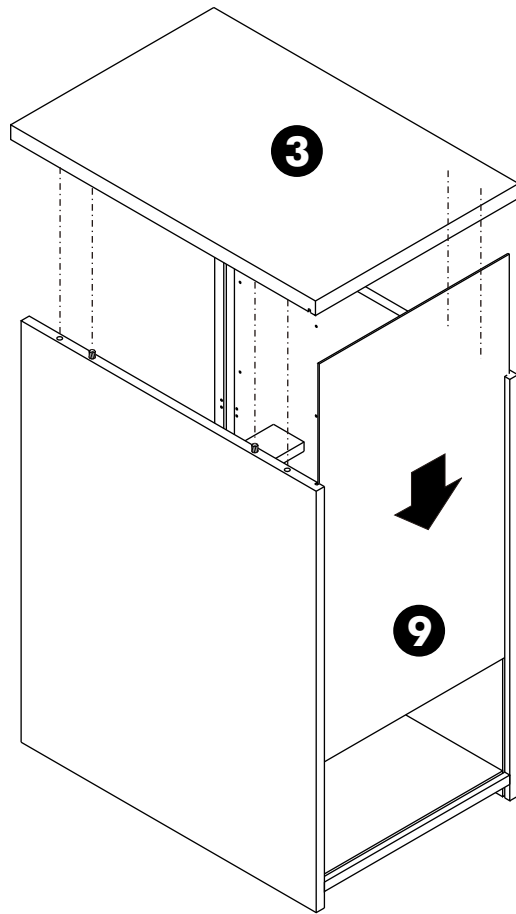
## STEP:1



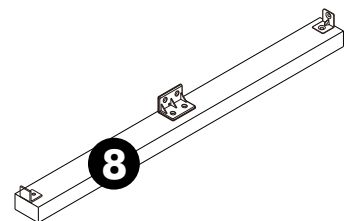
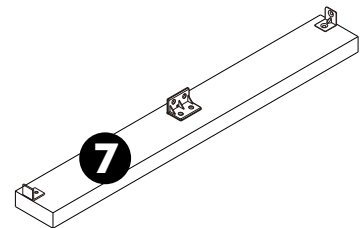
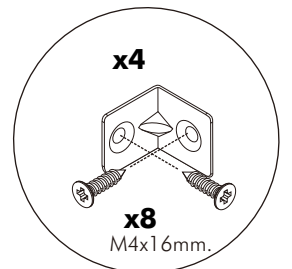
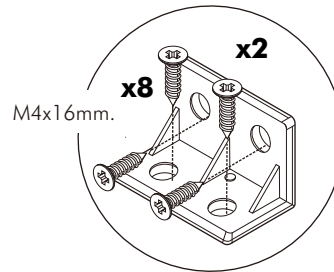
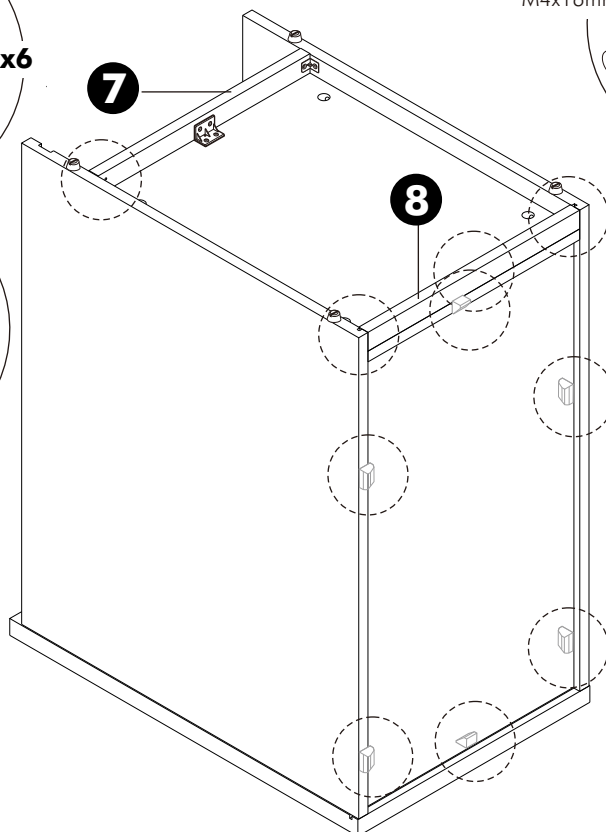
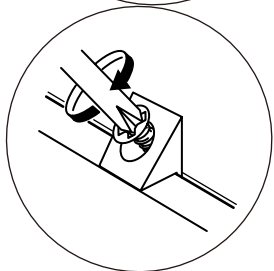
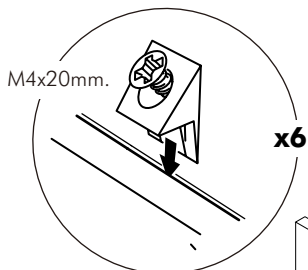
# 2.



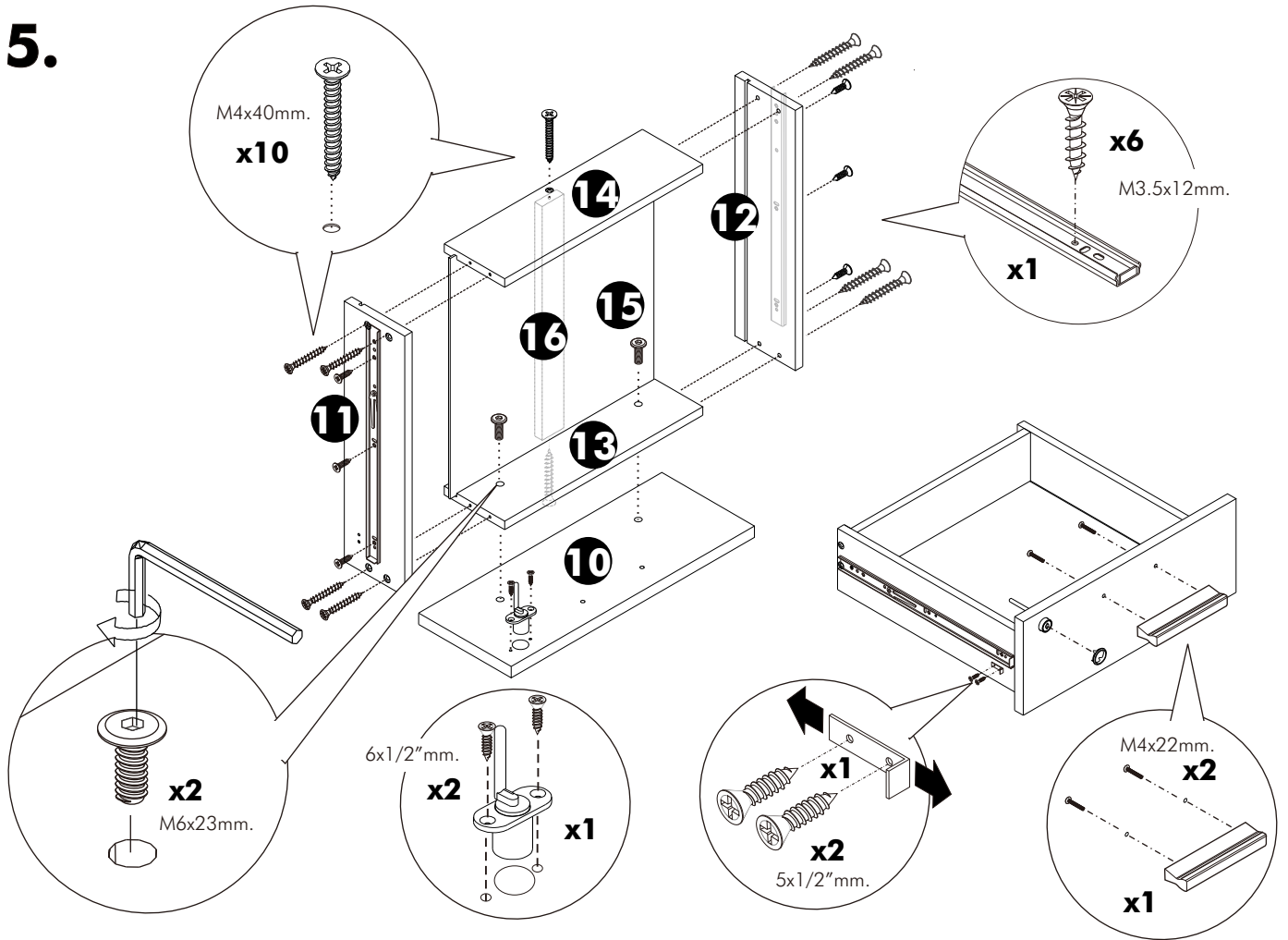
**3.**



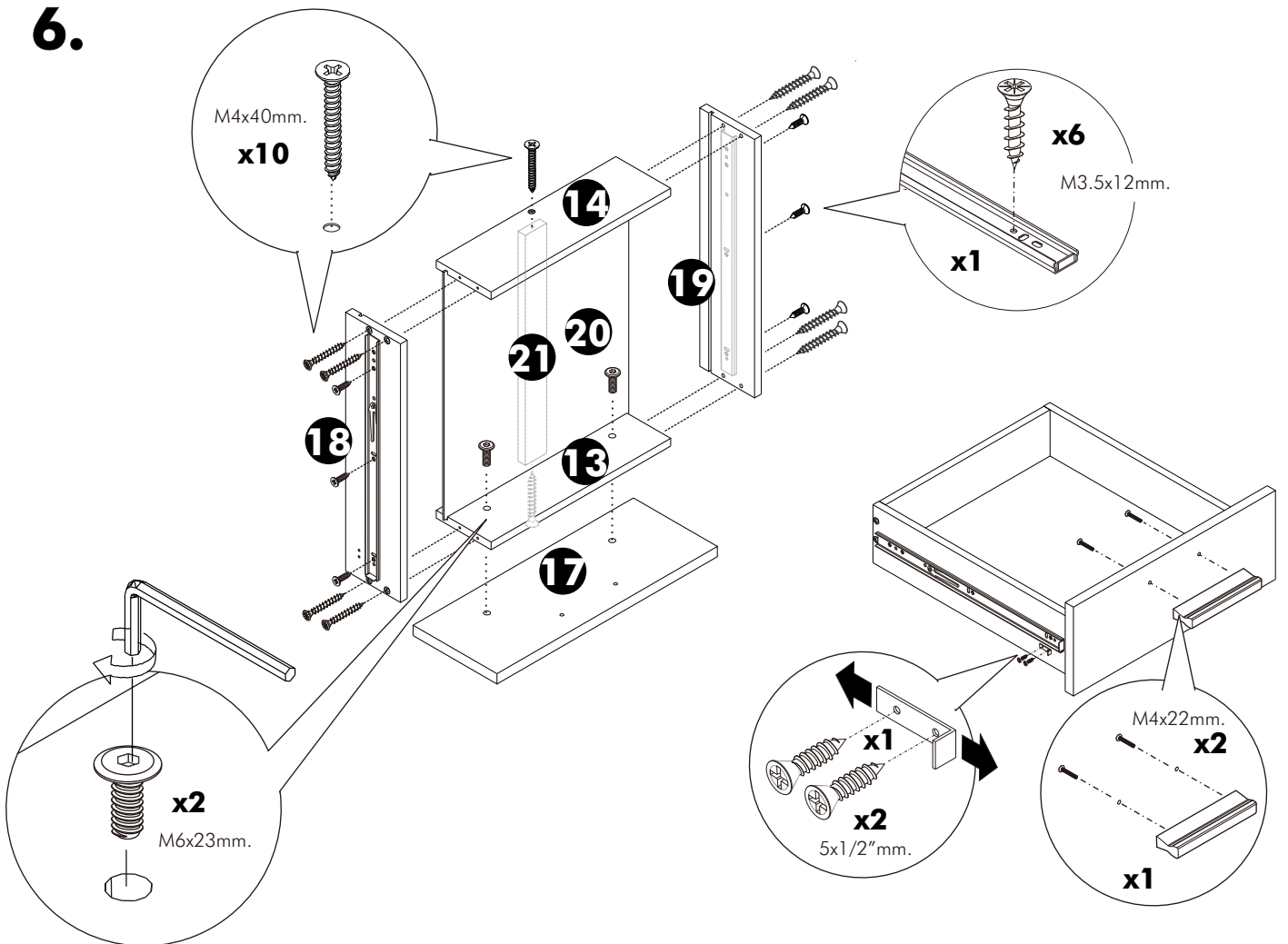
**4.**



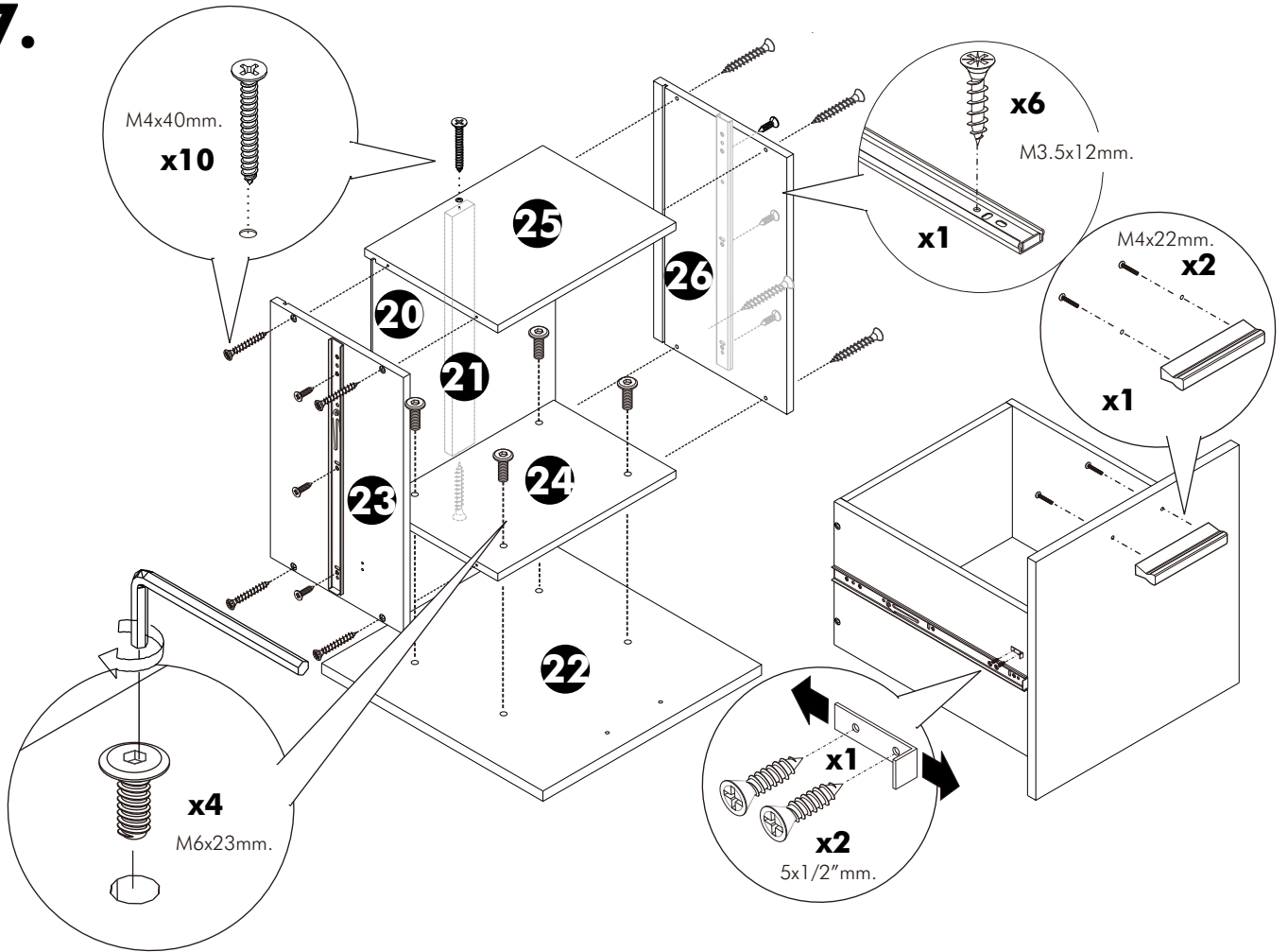
5.



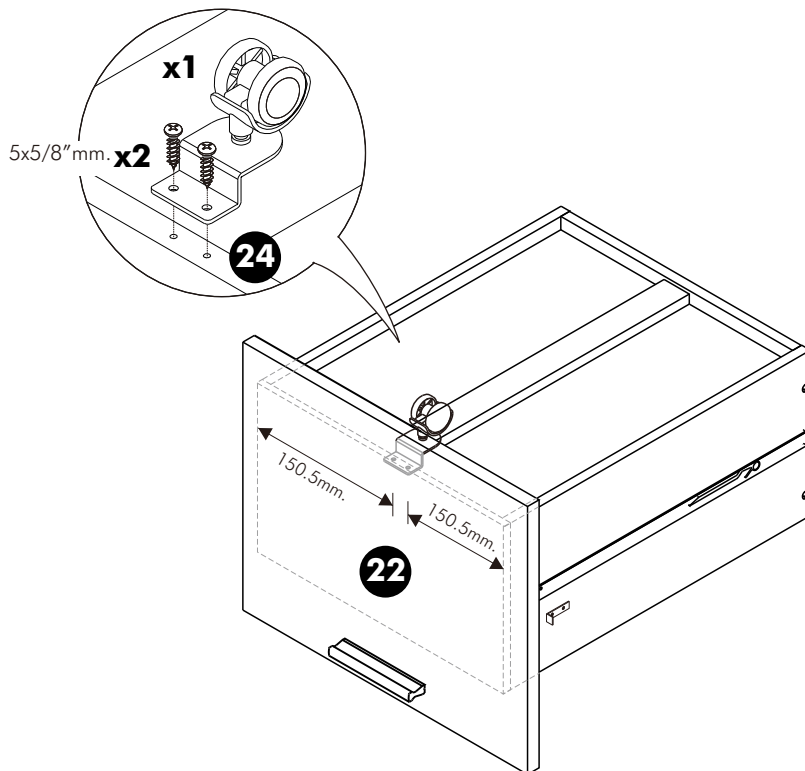
6.



**7.**



**8.**



9.

