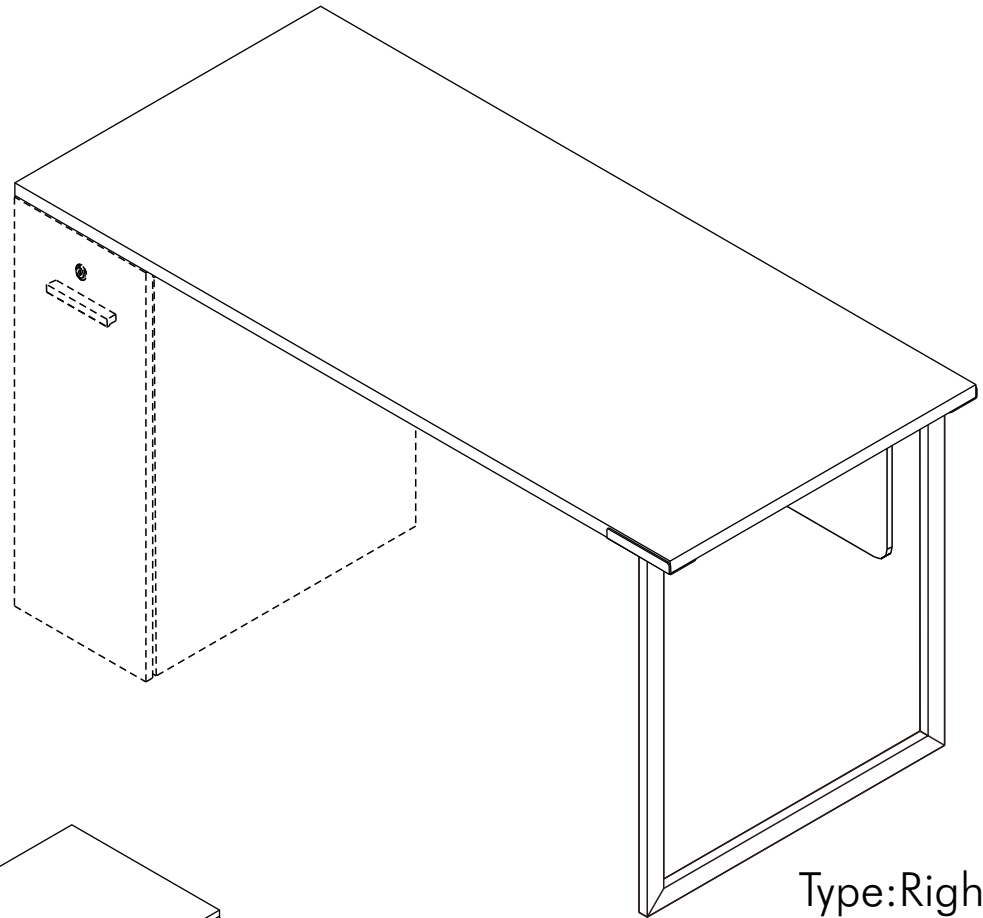
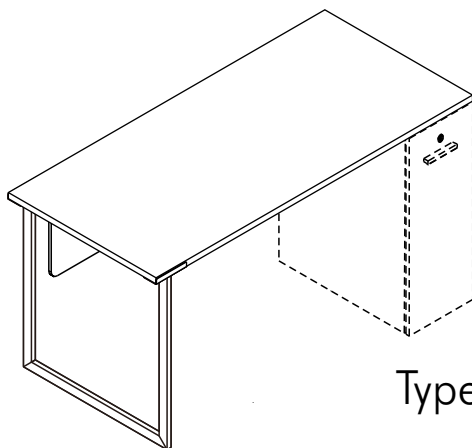


TETRIS/P-P

Working table/150

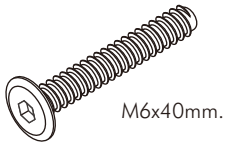


Type:Right



Type:Left

HARDWARE



M6x40mm.

x 4



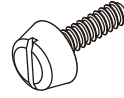
M6x15mm.

x 4

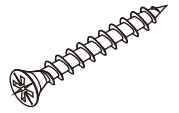


1/4"

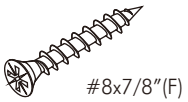
x 4



x 2



x 4

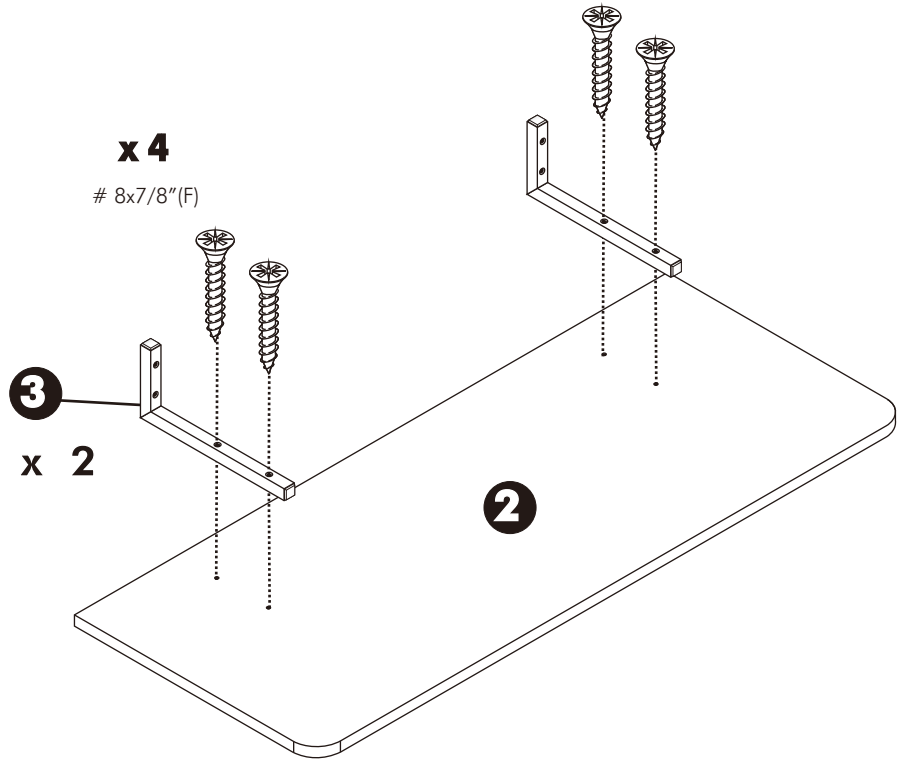


#8x7/8"(F)

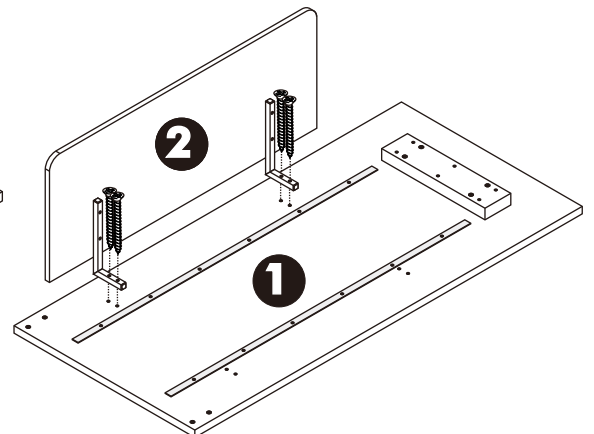
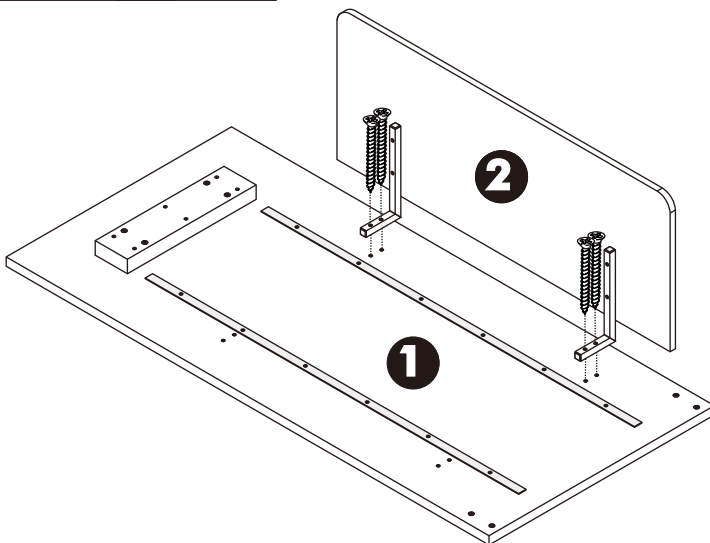
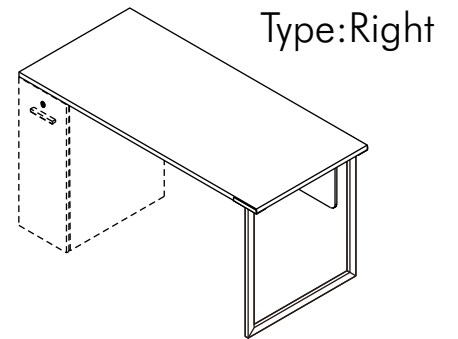
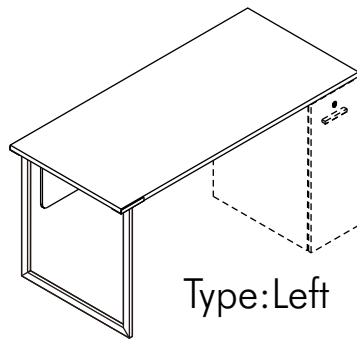
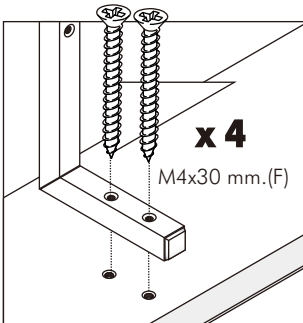
x 4

M4x30mm.

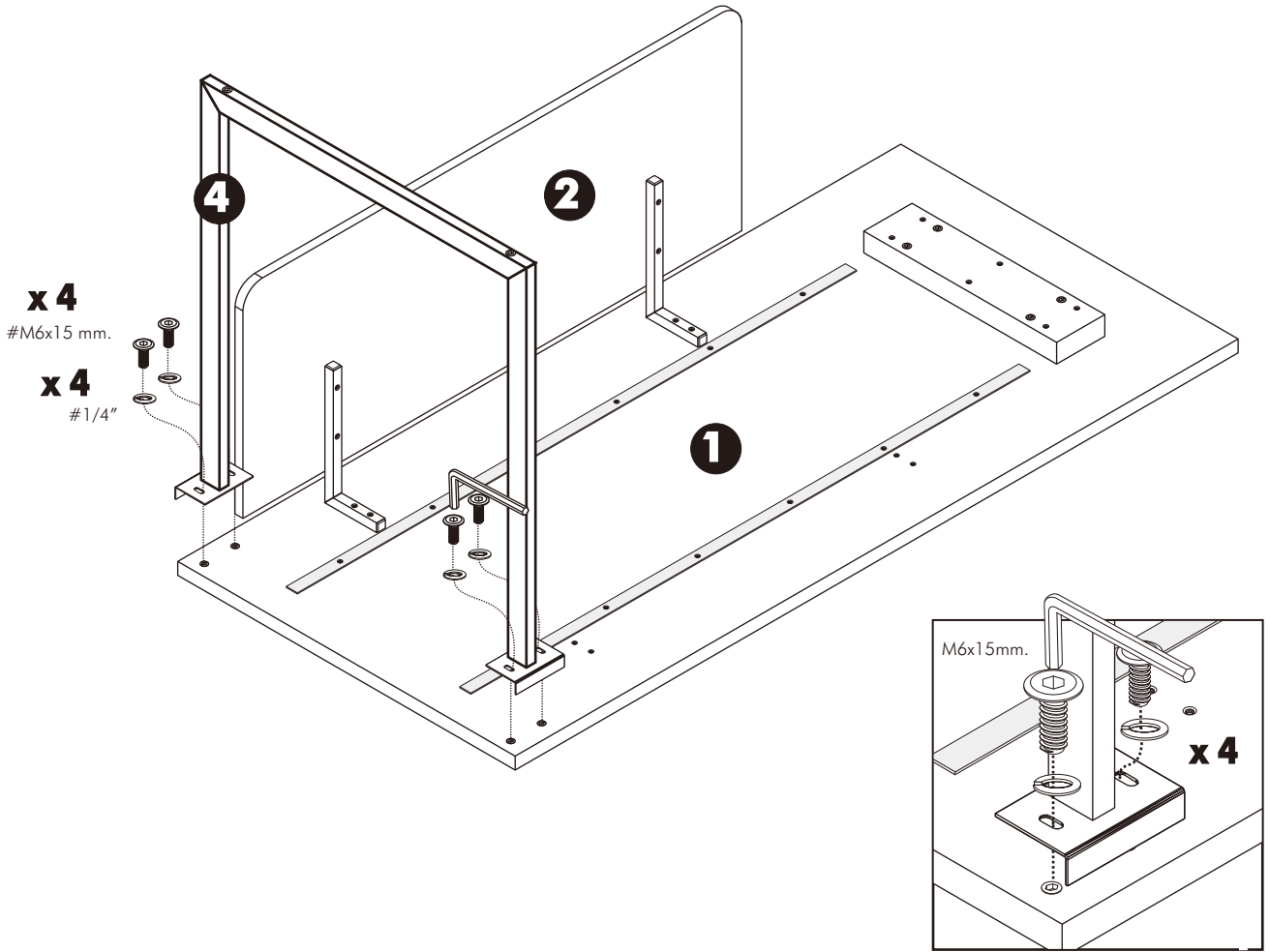
1.



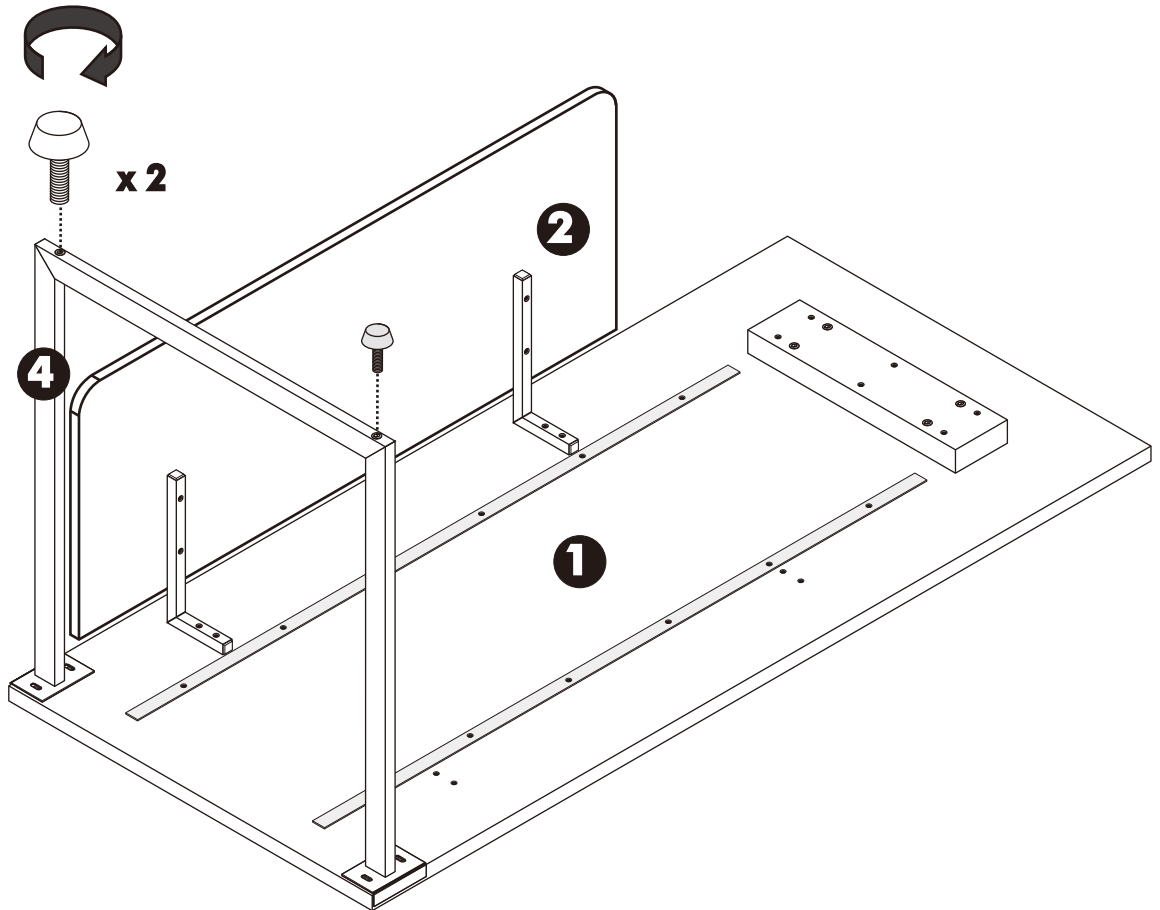
2.



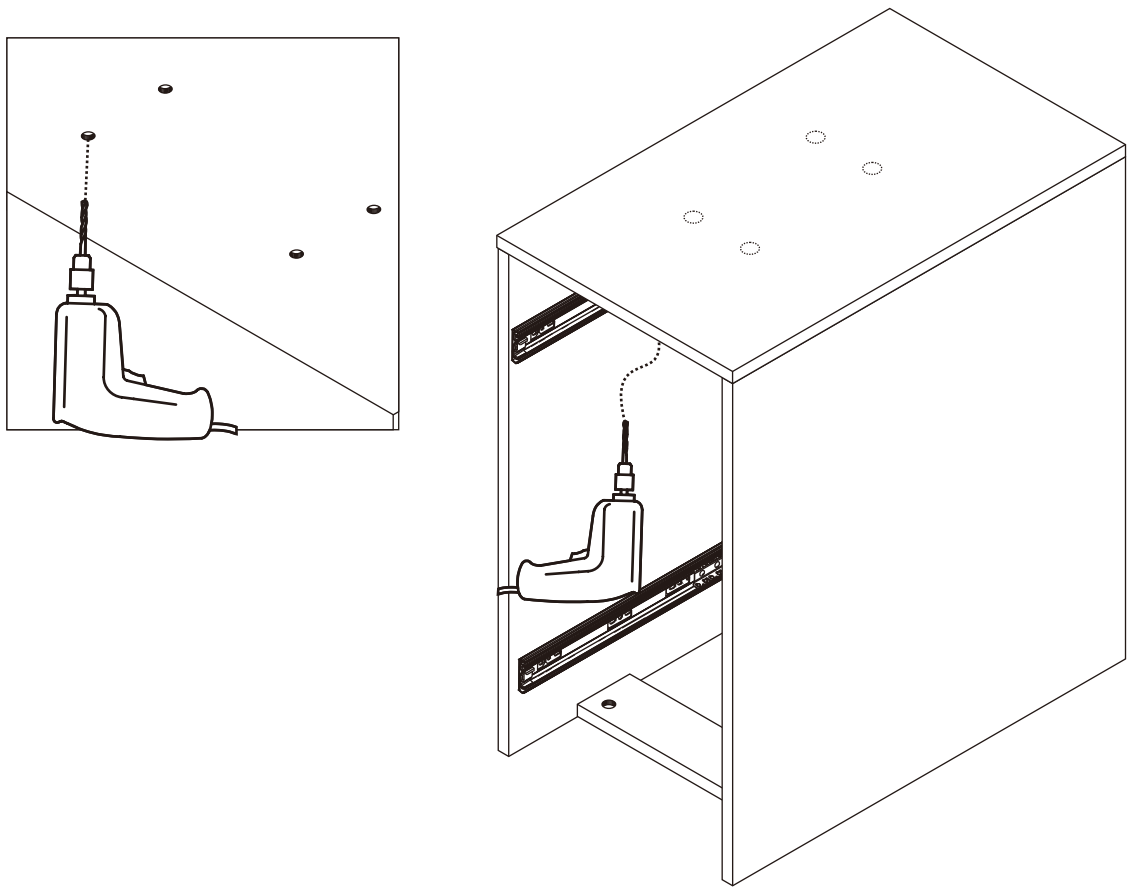
3.



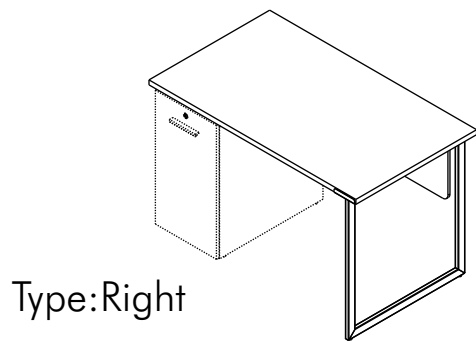
4.



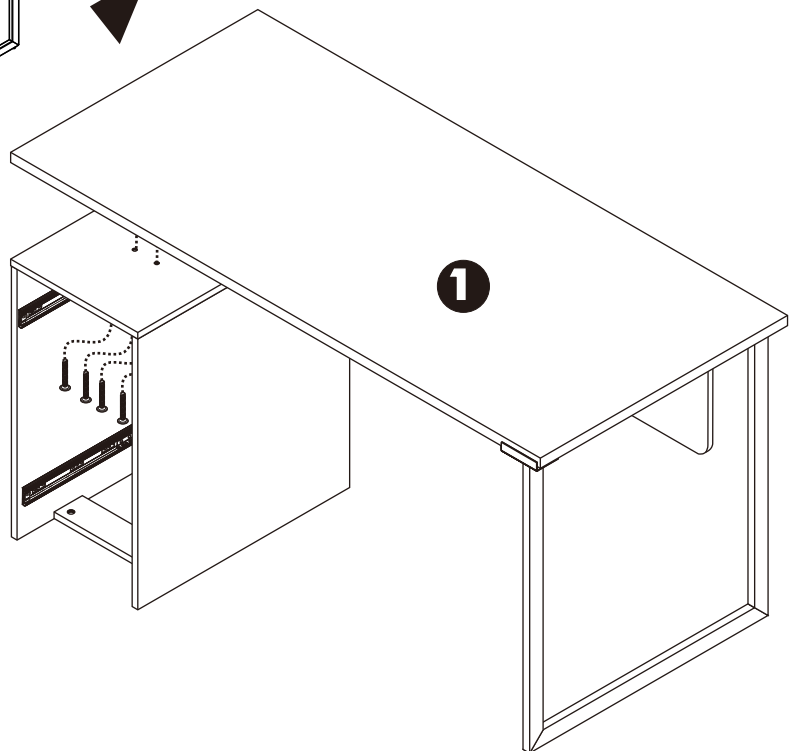
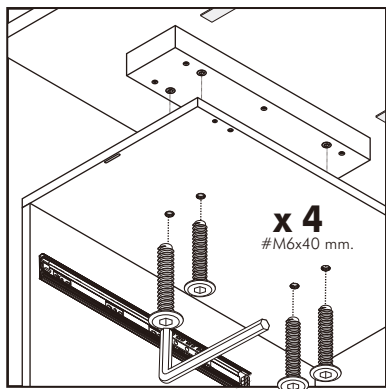
5.



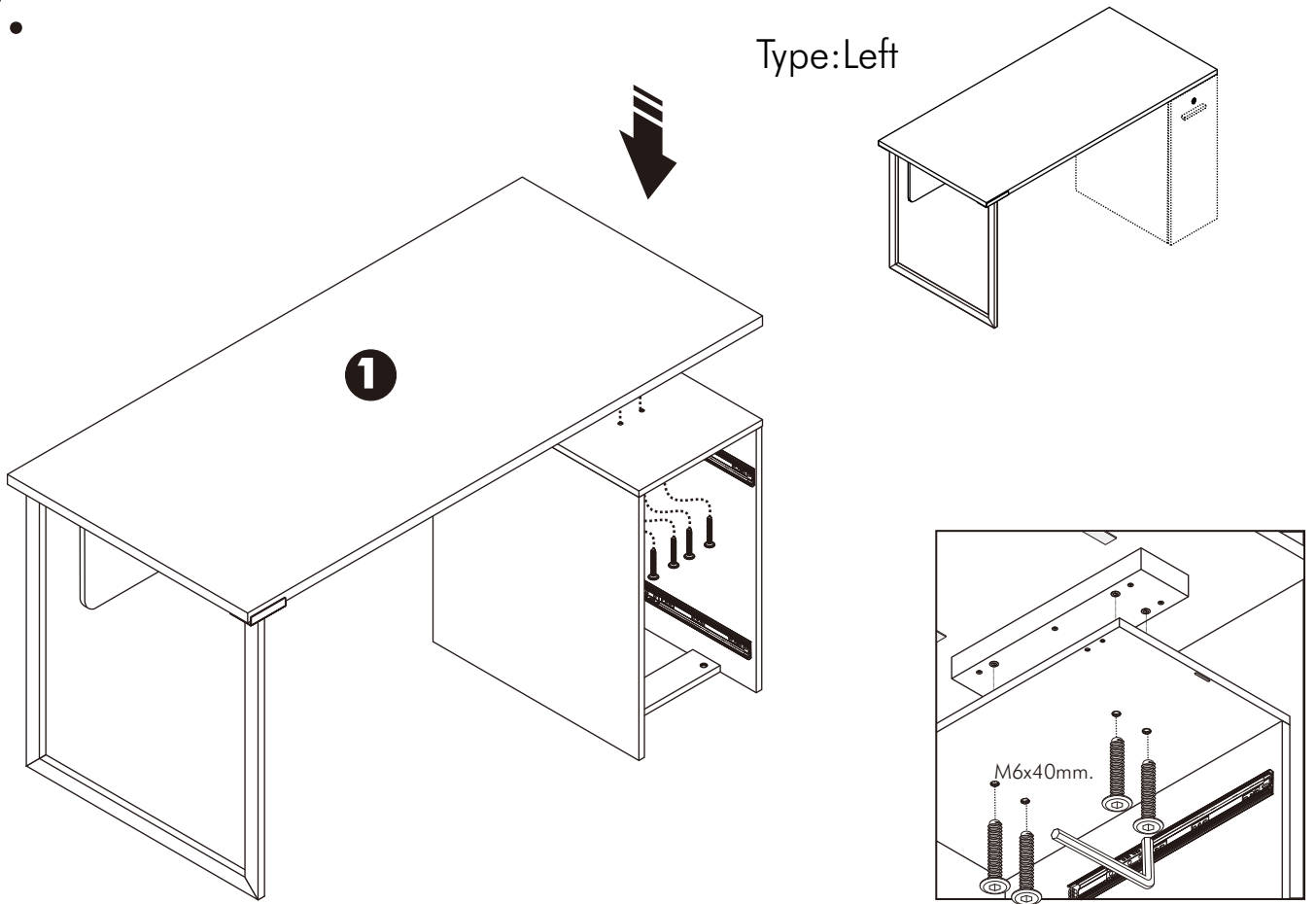
6.



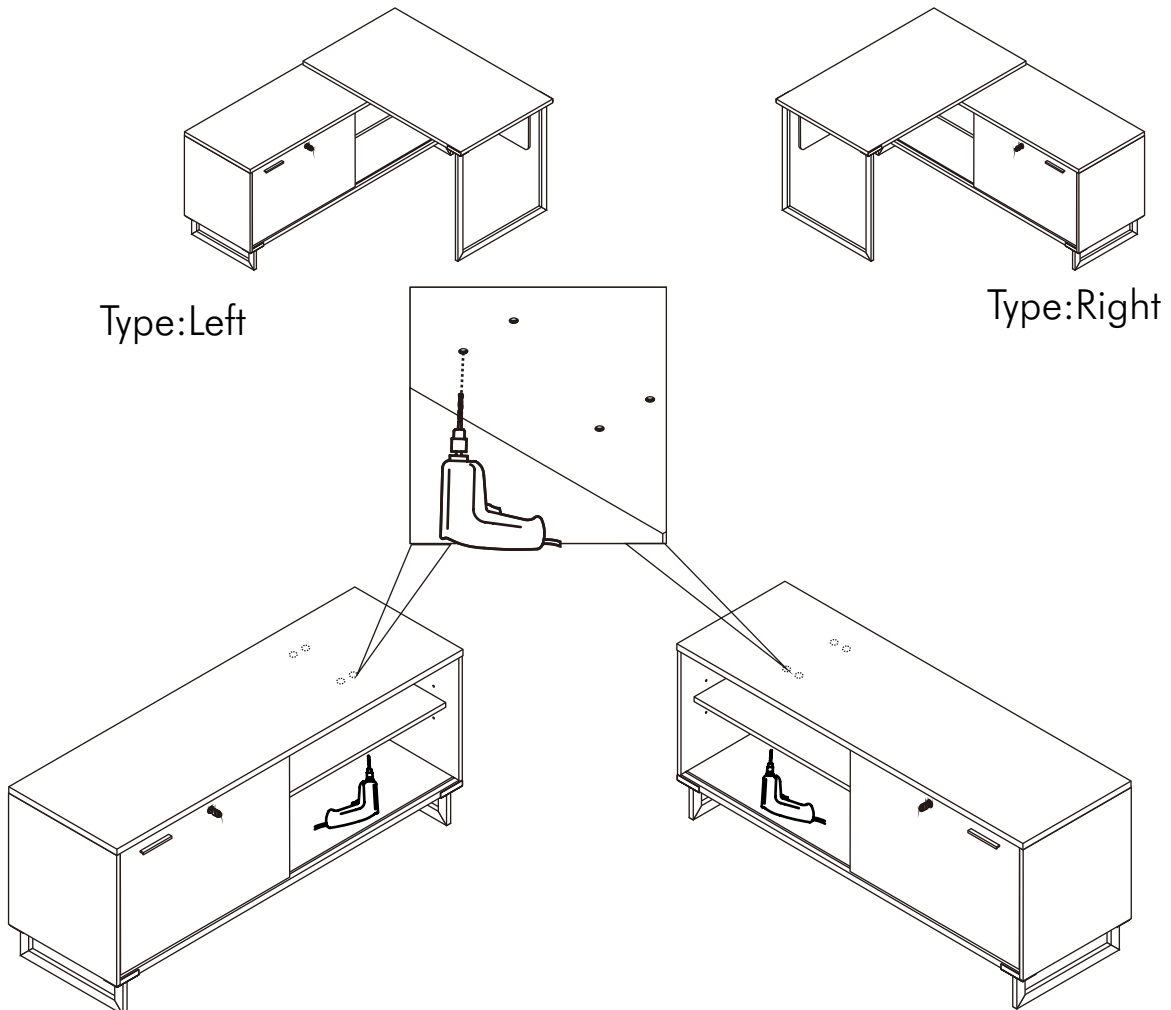
Type:Right



7.

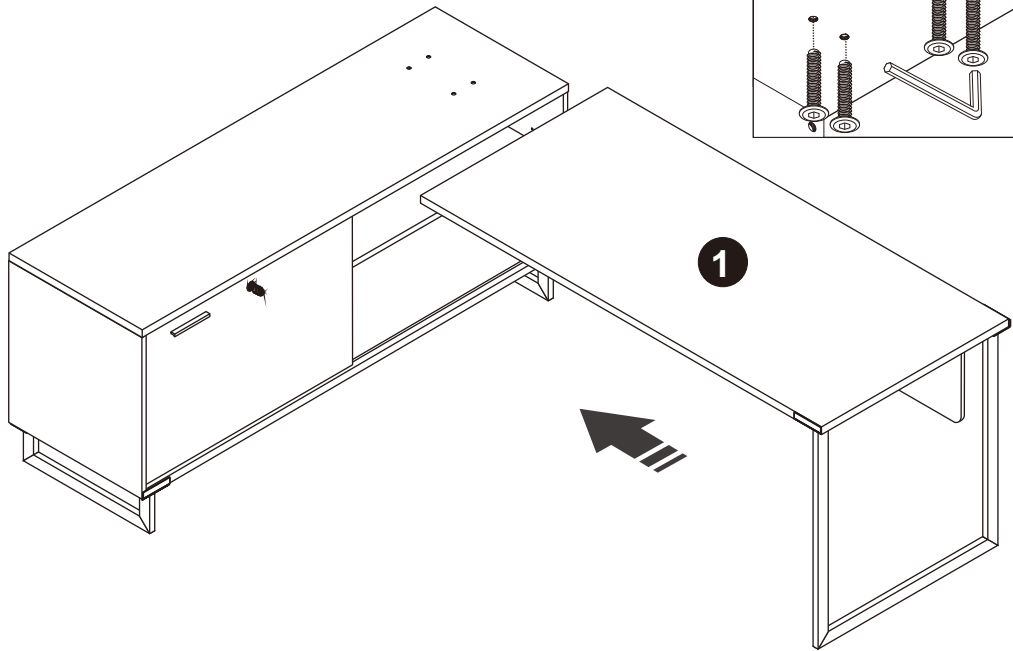


8.



9.

Type:Left



10.

Type:Left

