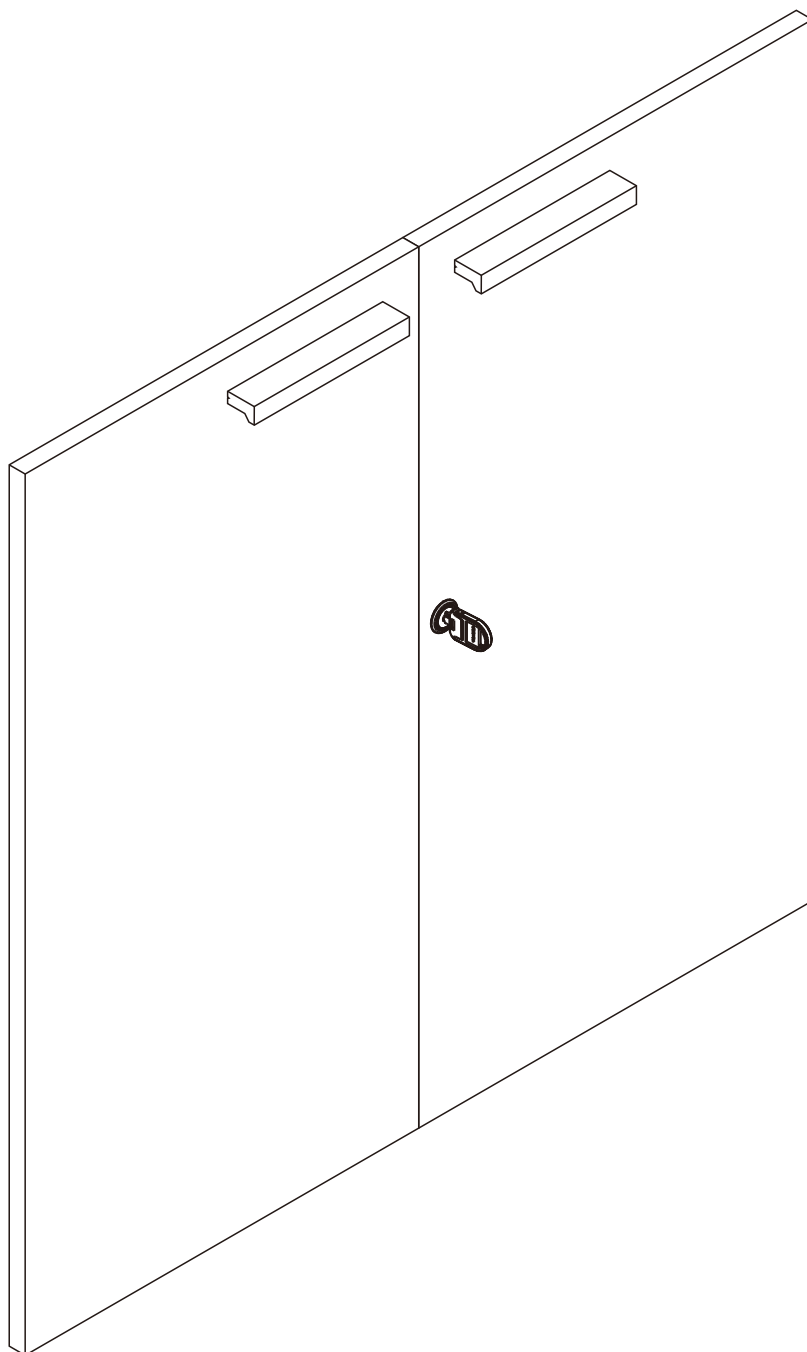


# TETRIS-P

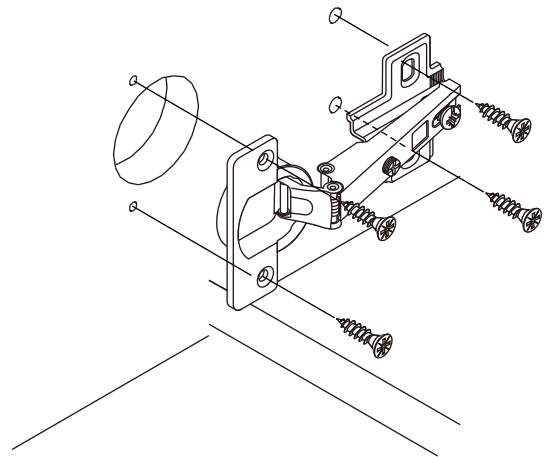
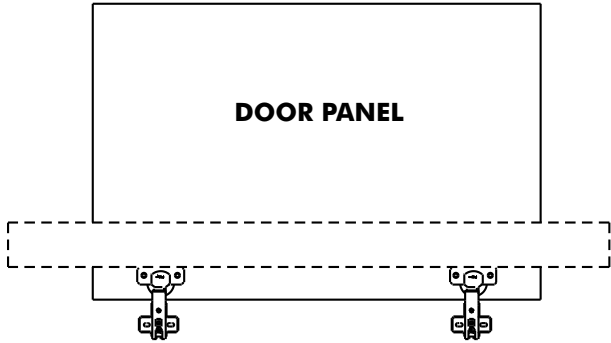
Door



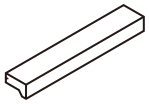
# CONNECT SYSTEM



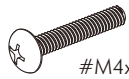
M4x16mm.



# HARDWARE



**x 2**

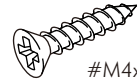


#M4x25mm.

**x 4**

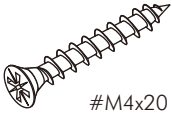


**x 2**



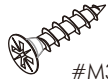
#M4x16 mm.

**x 16**



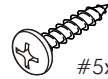
#M4x20

**x 4**



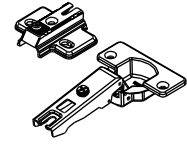
#M3.5x13

**x 3**



#5x1/2

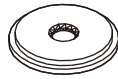
**x 2**



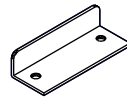
**x4**



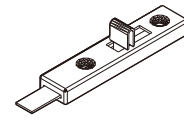
**x 1**



**x 1**



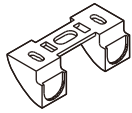
**x 1**



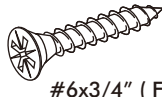
**x 1**



**x 4**



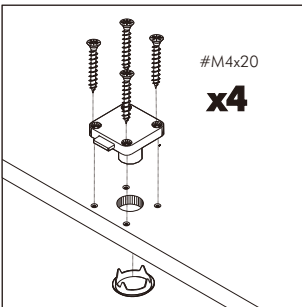
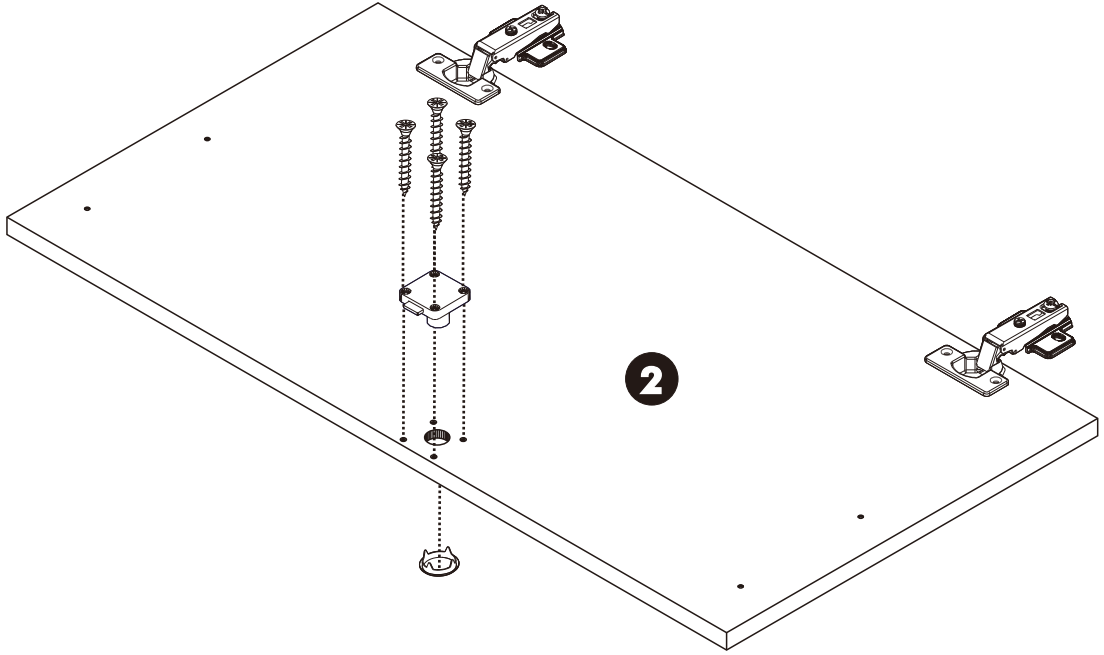
**x 1**



#6x3/4" (F)

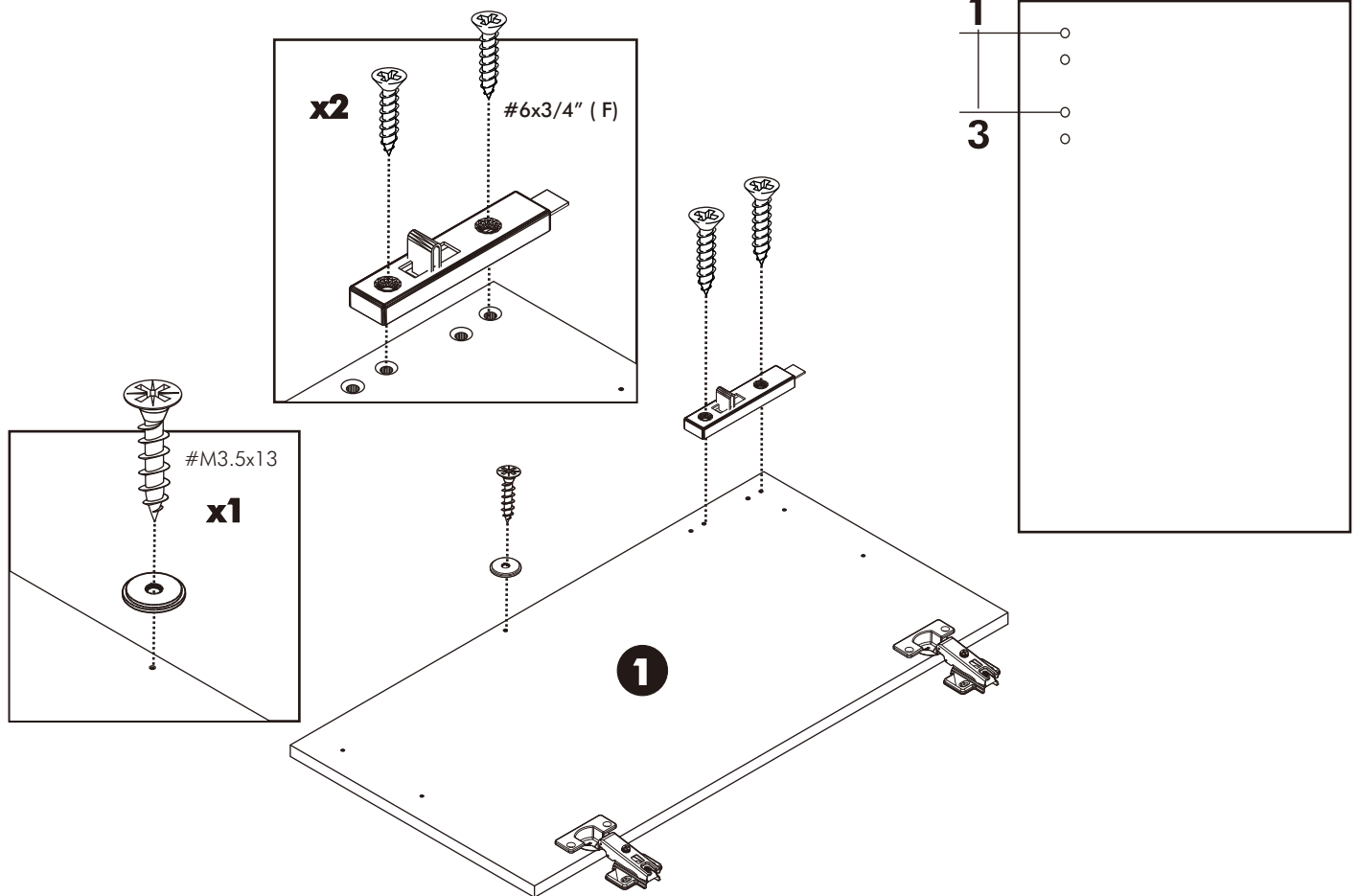
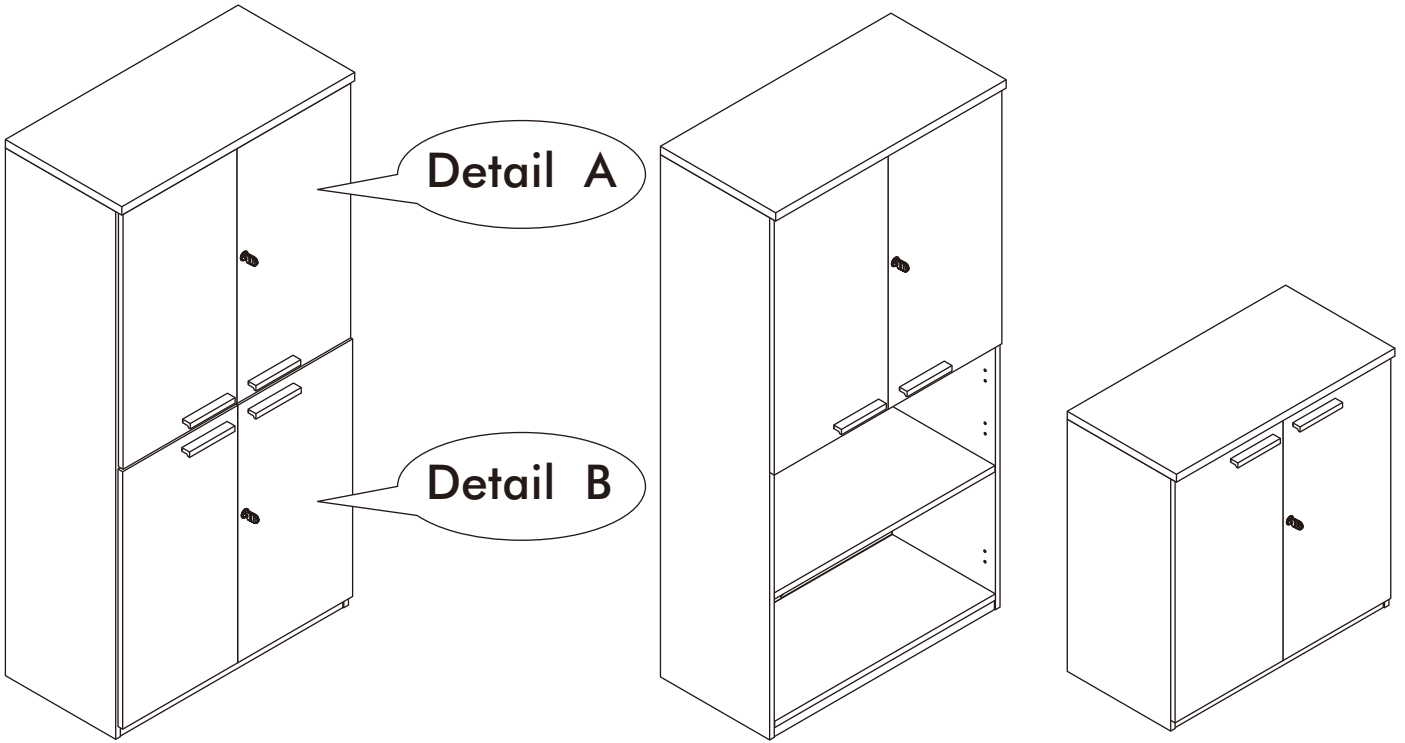
**x 2**

1.



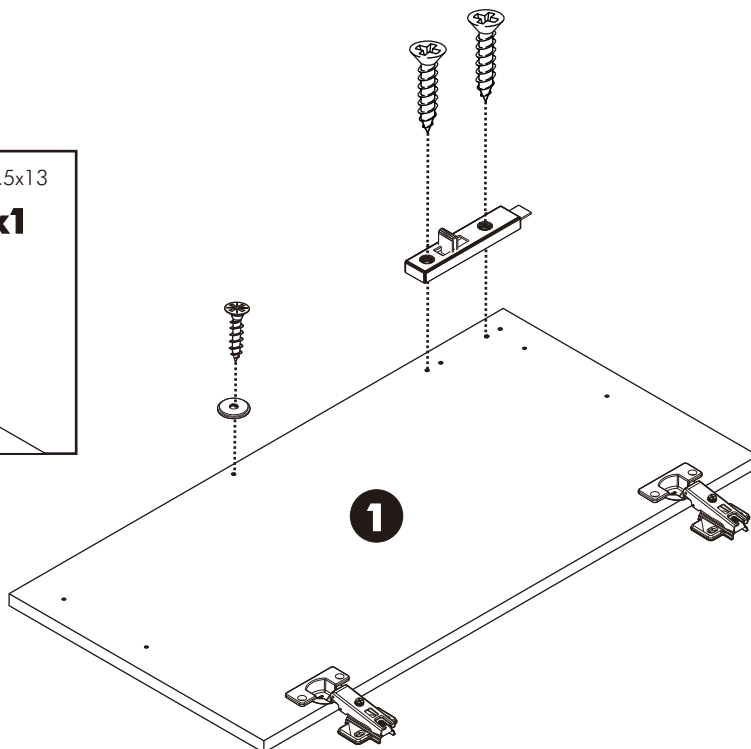
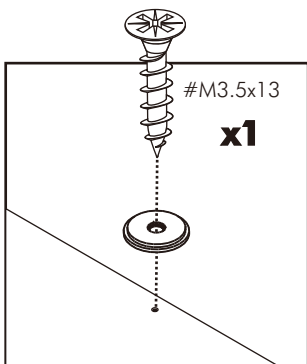
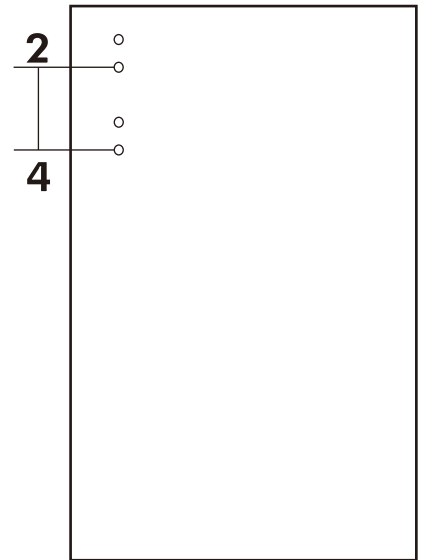
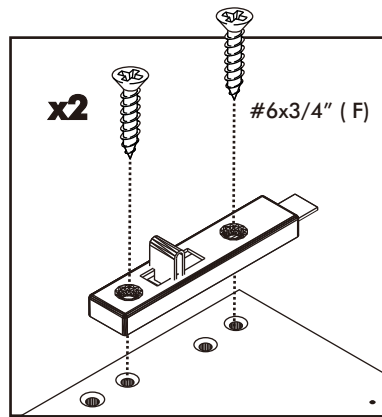
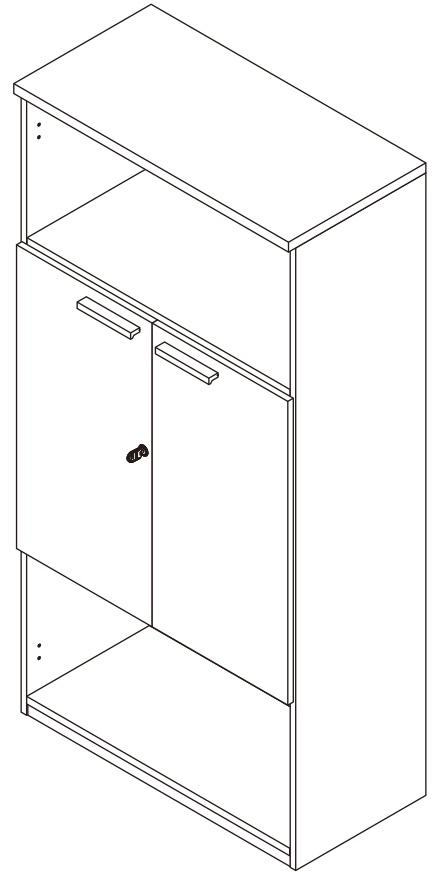
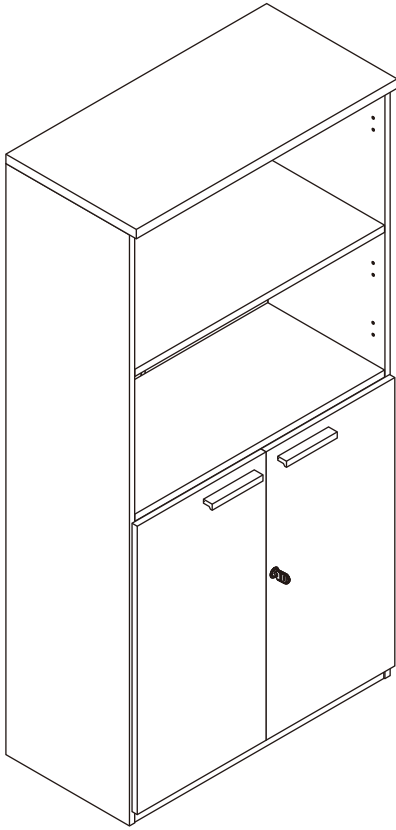
# 2.

## Detail A

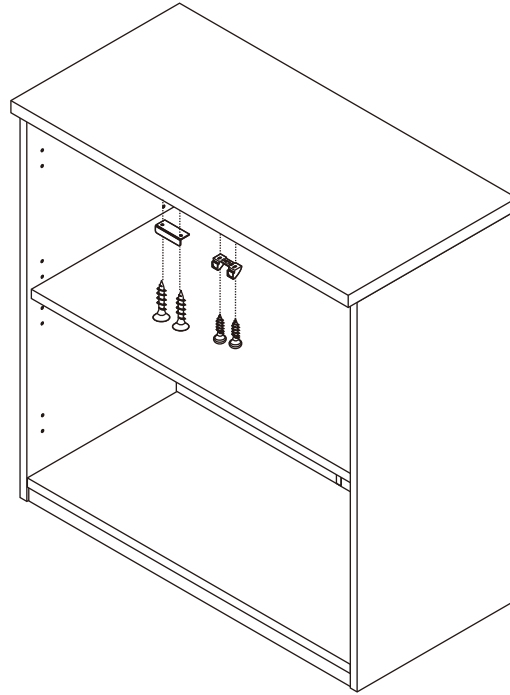
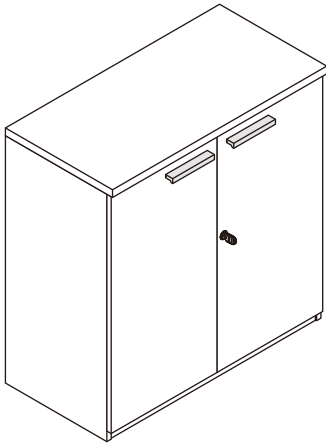
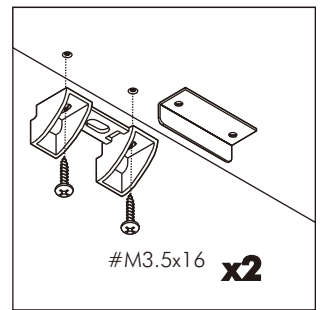
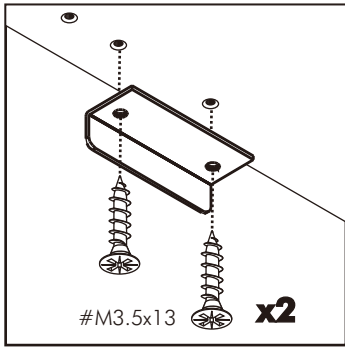


**3.**

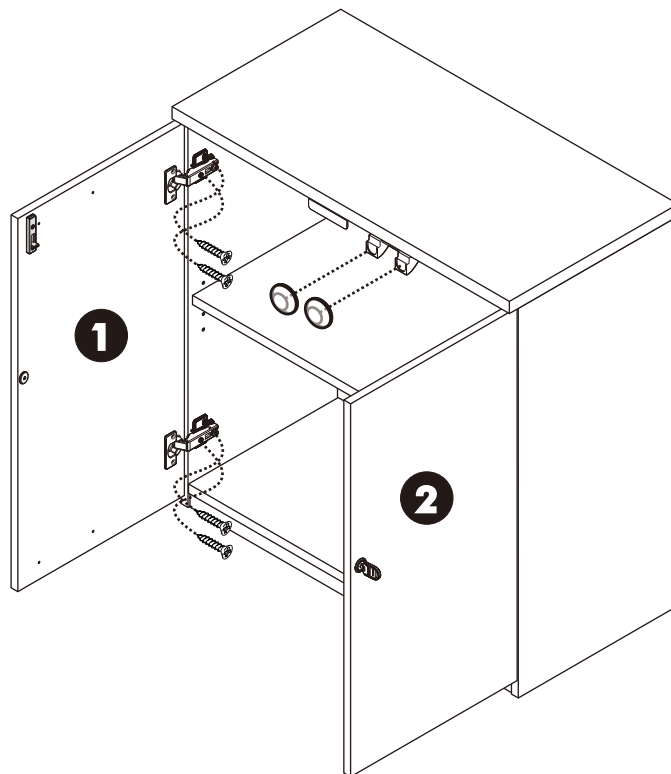
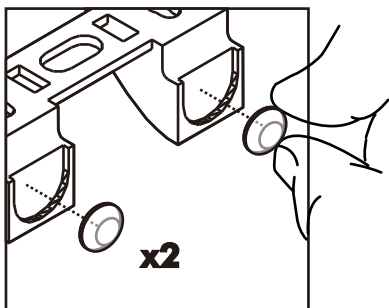
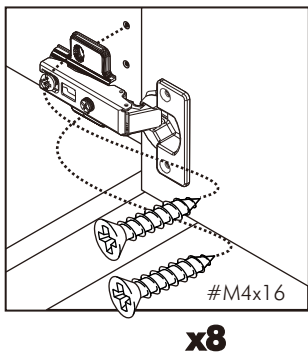
**Detail B**



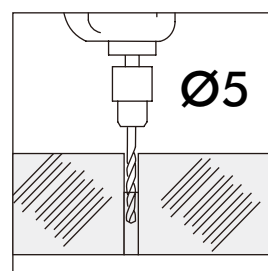
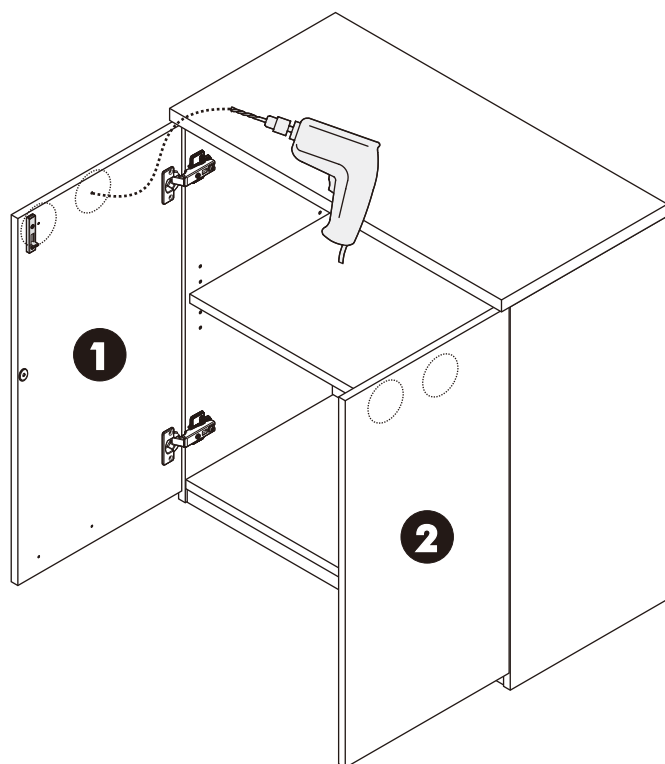
**4.**



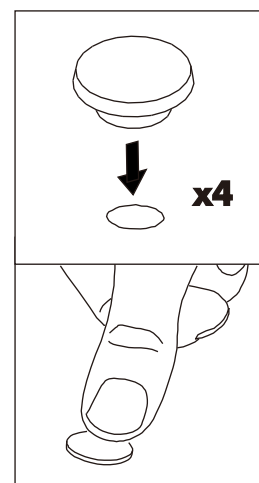
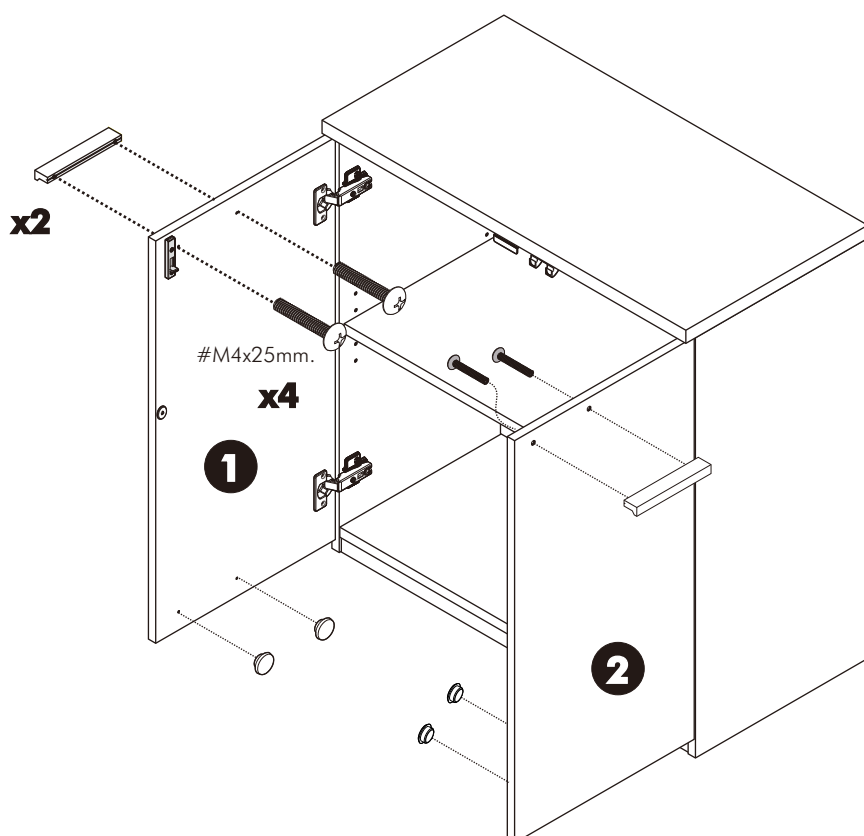
**5.**



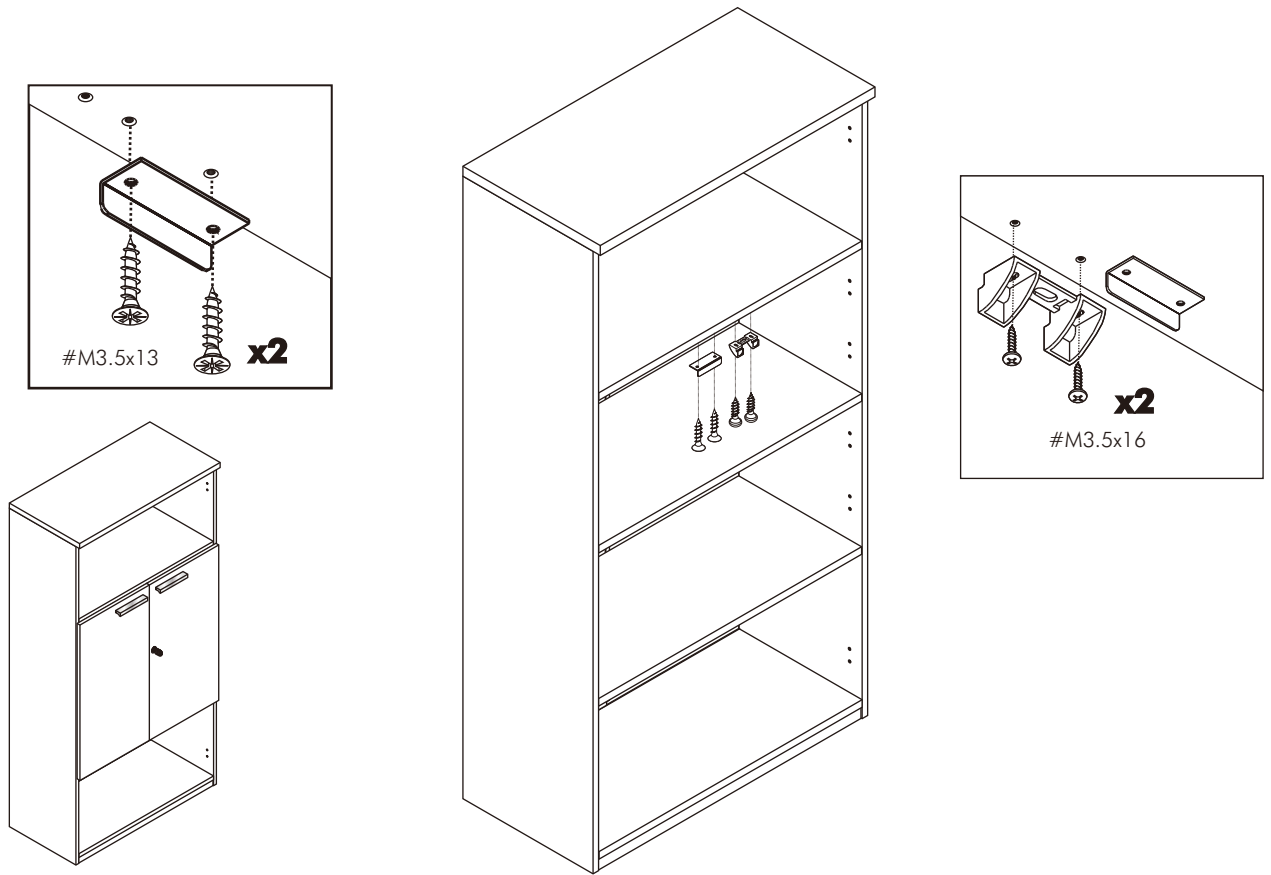
**6.**



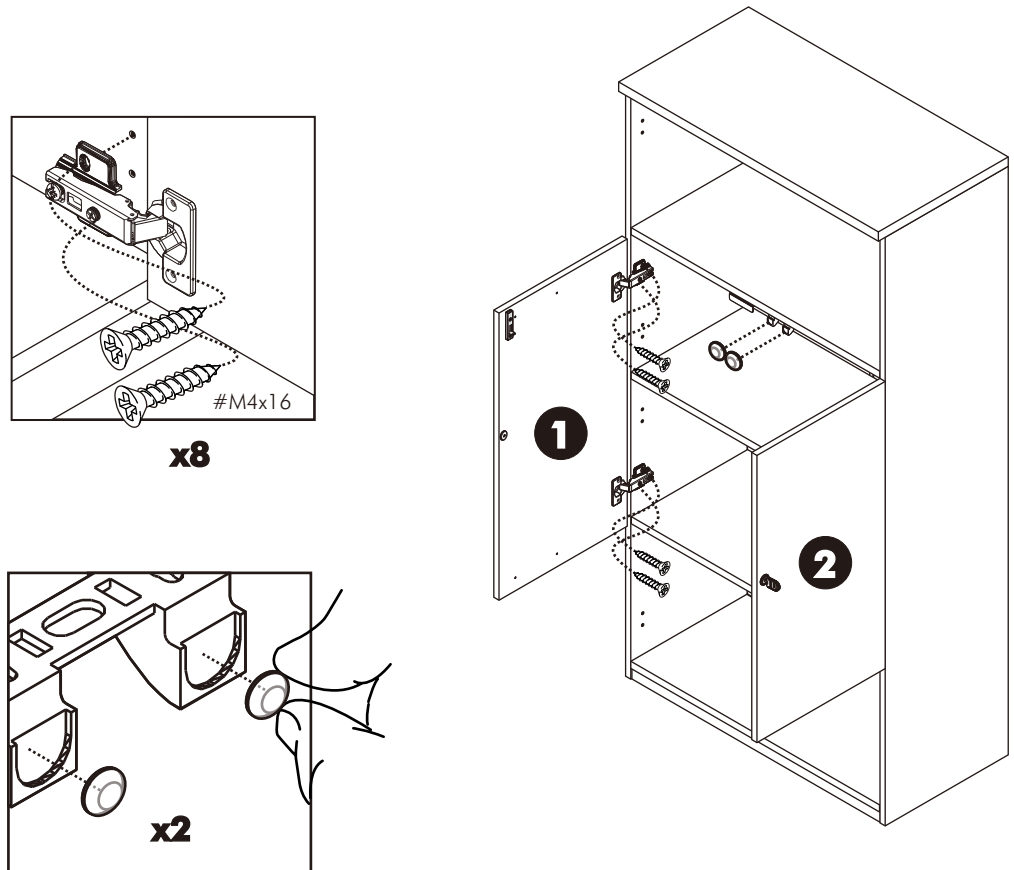
**7.**



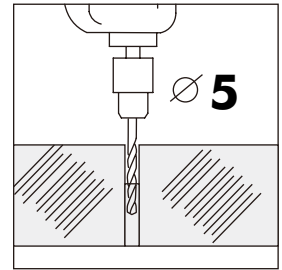
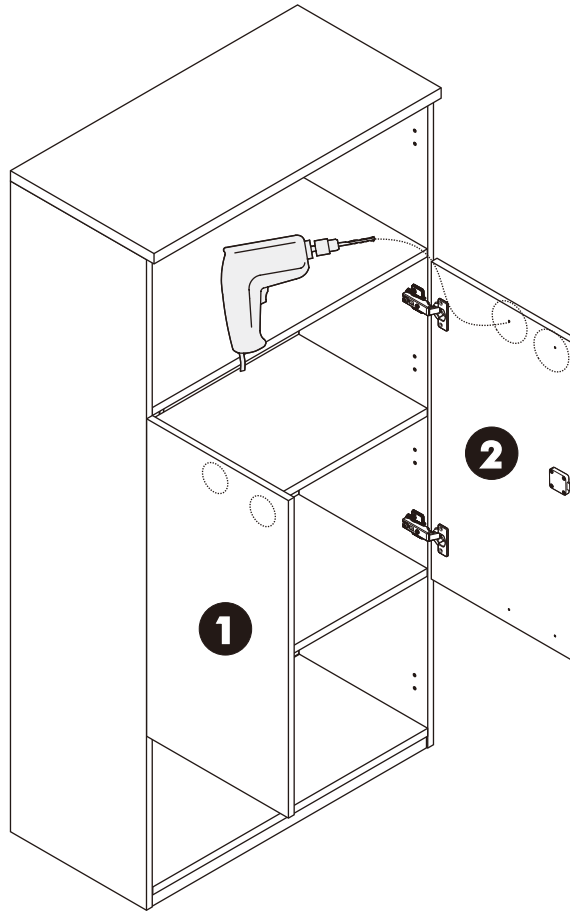
8.



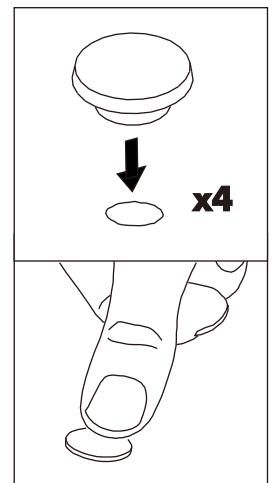
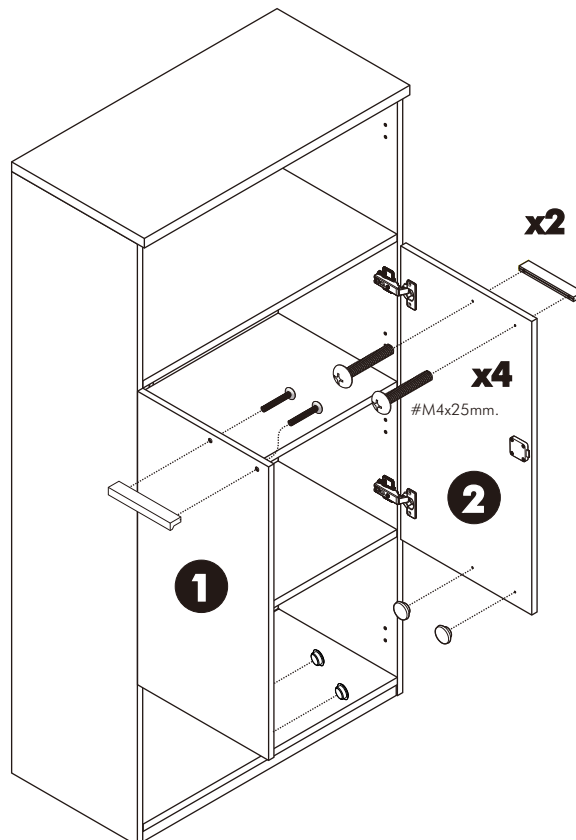
9.



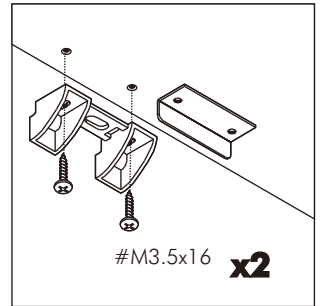
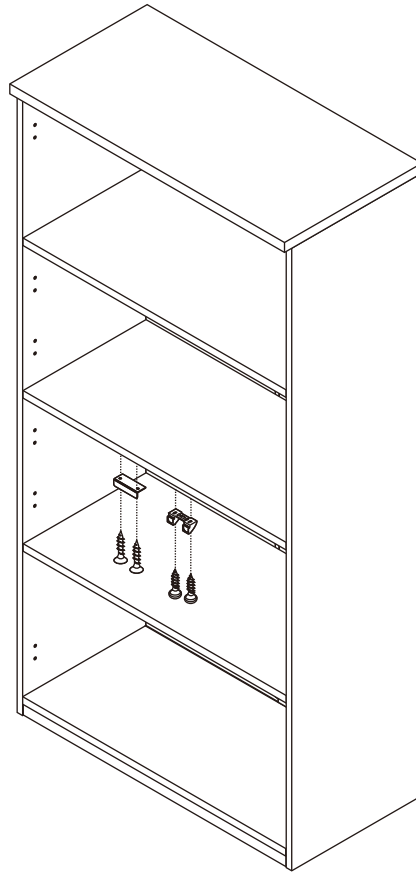
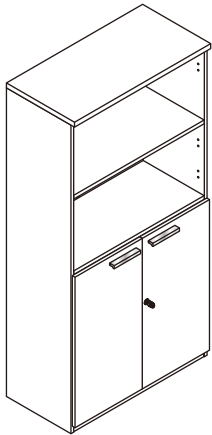
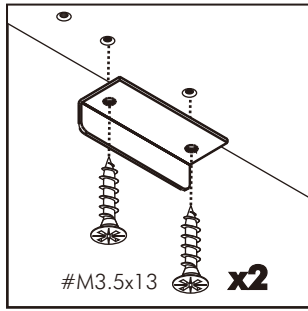
**10.**



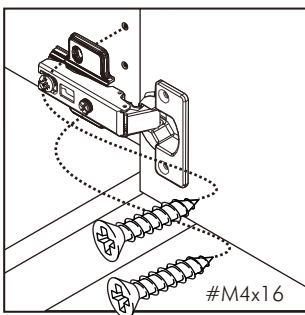
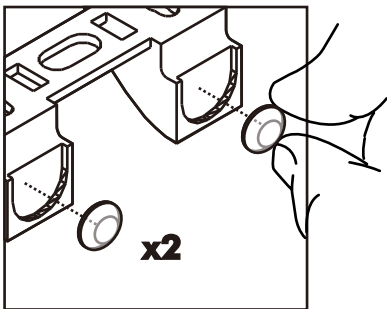
**11.**



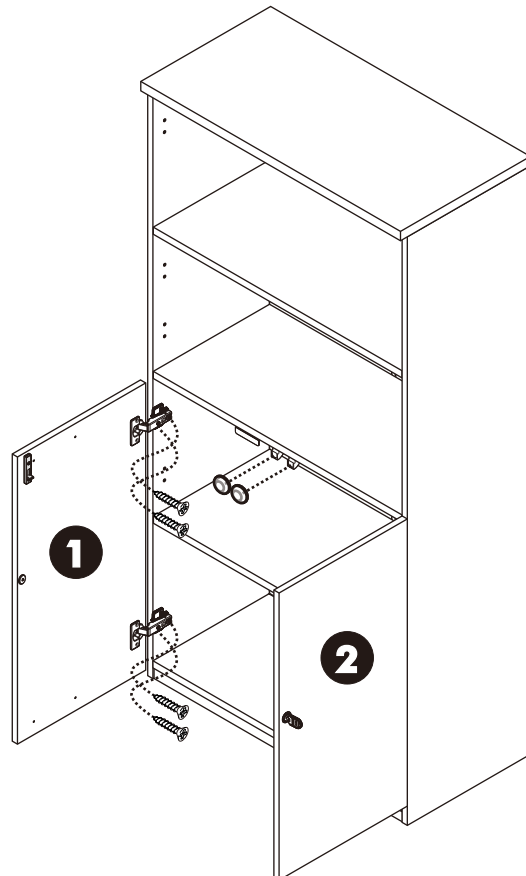
# 12.



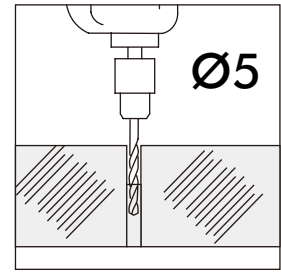
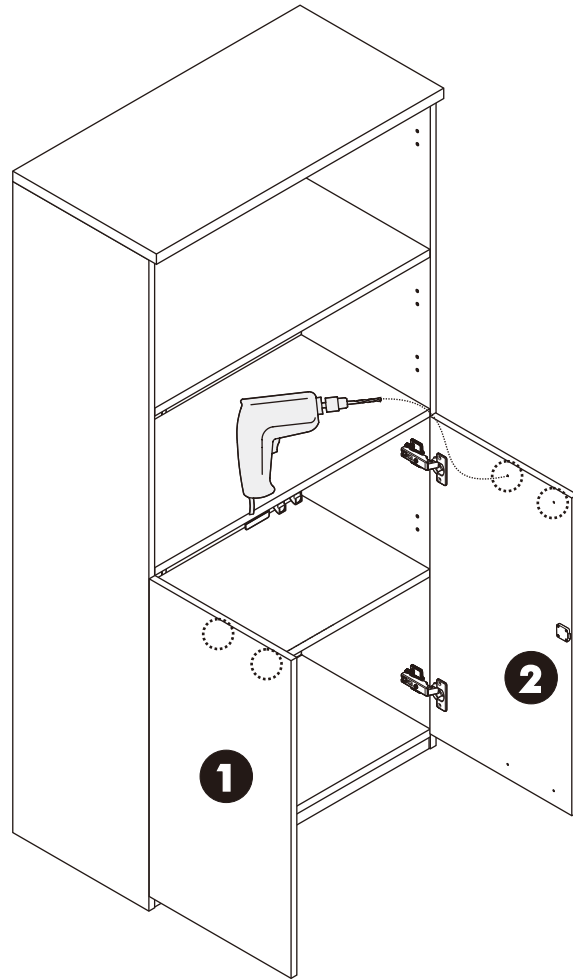
# 13.



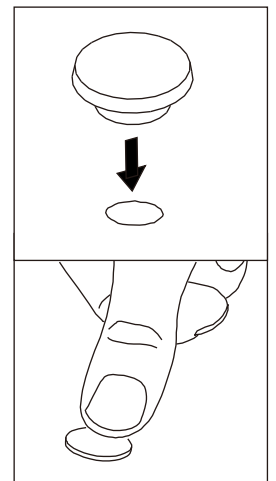
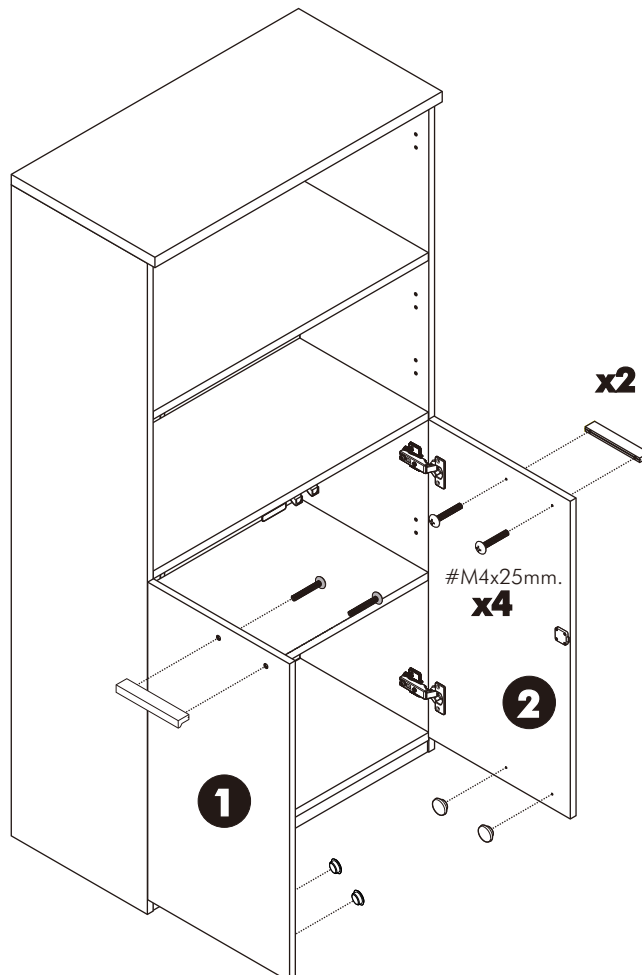
**x8**



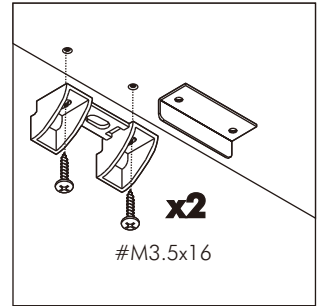
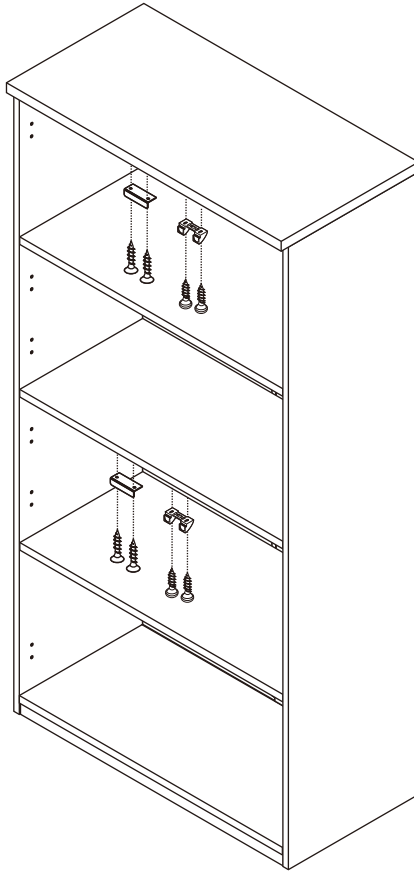
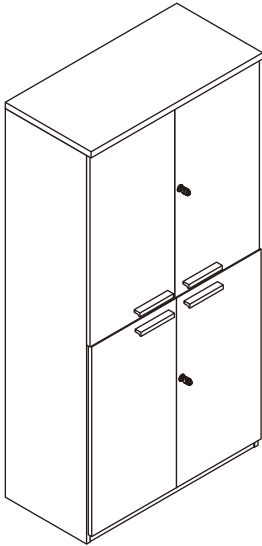
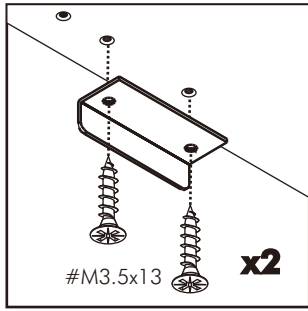
**14.**



**15.**

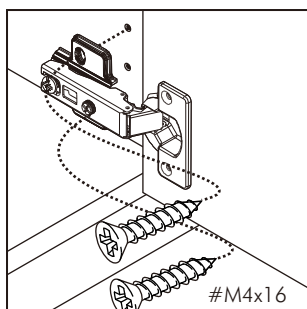
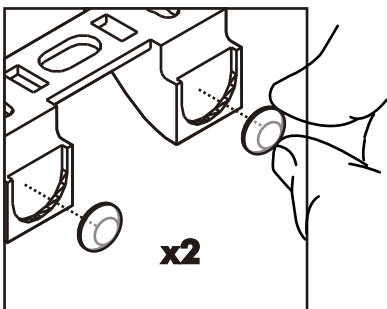


**16.**

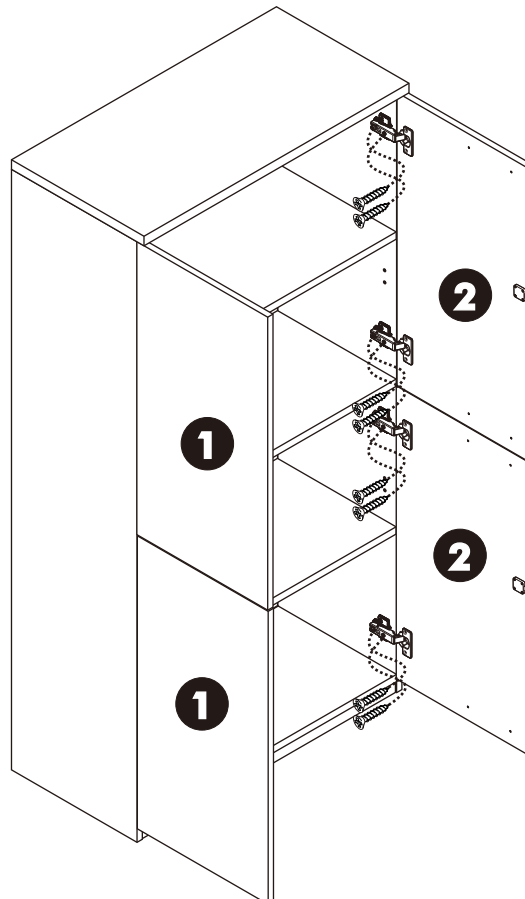


**x2**

**17.**

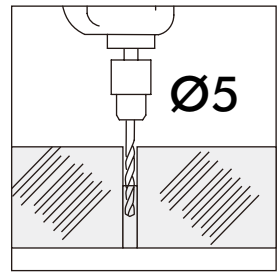
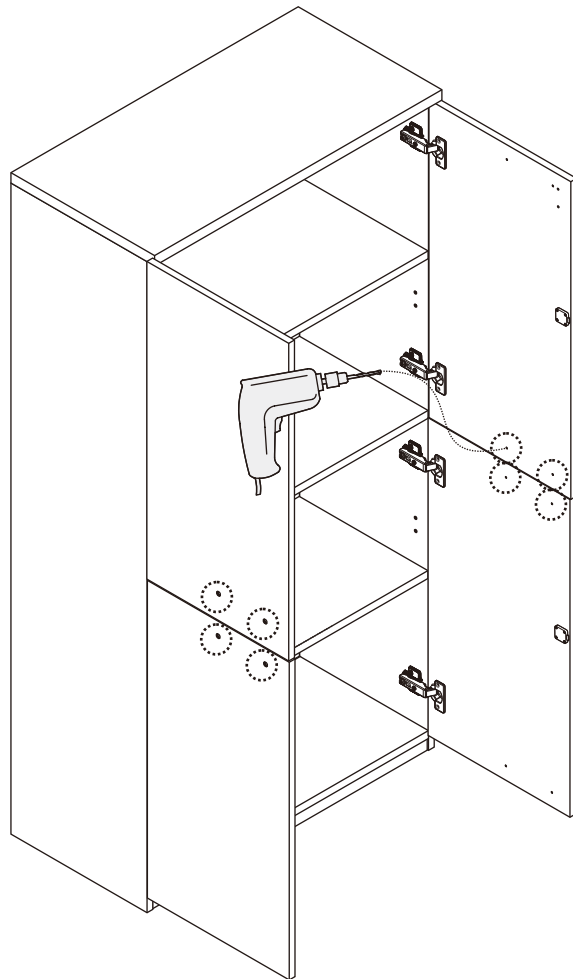


**x8**

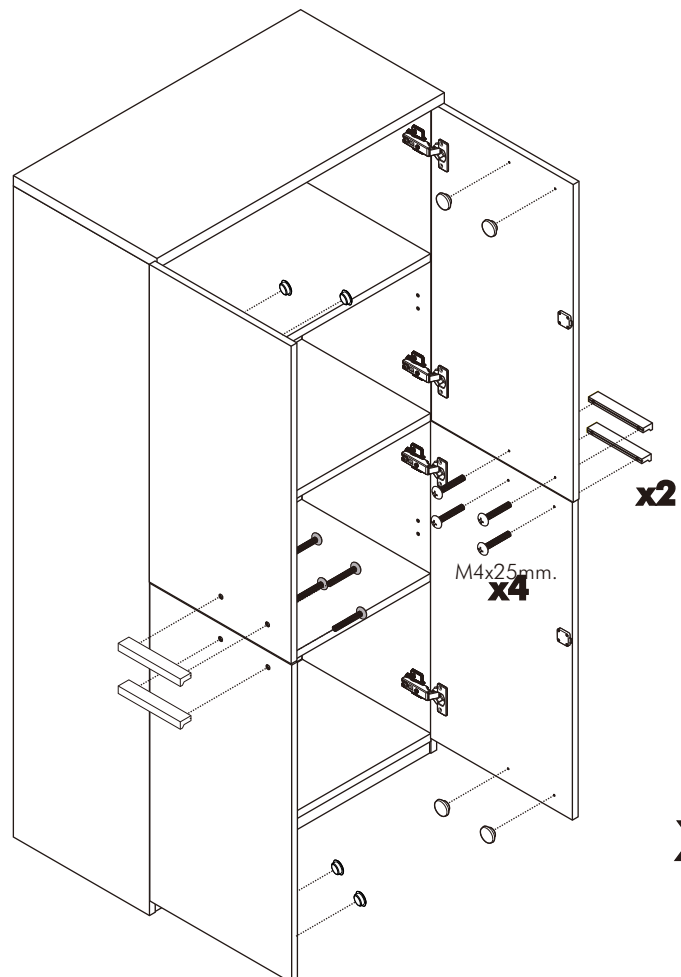
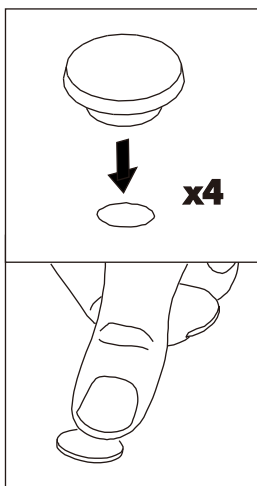


**x2**

**18.**



**19.**



**x2**