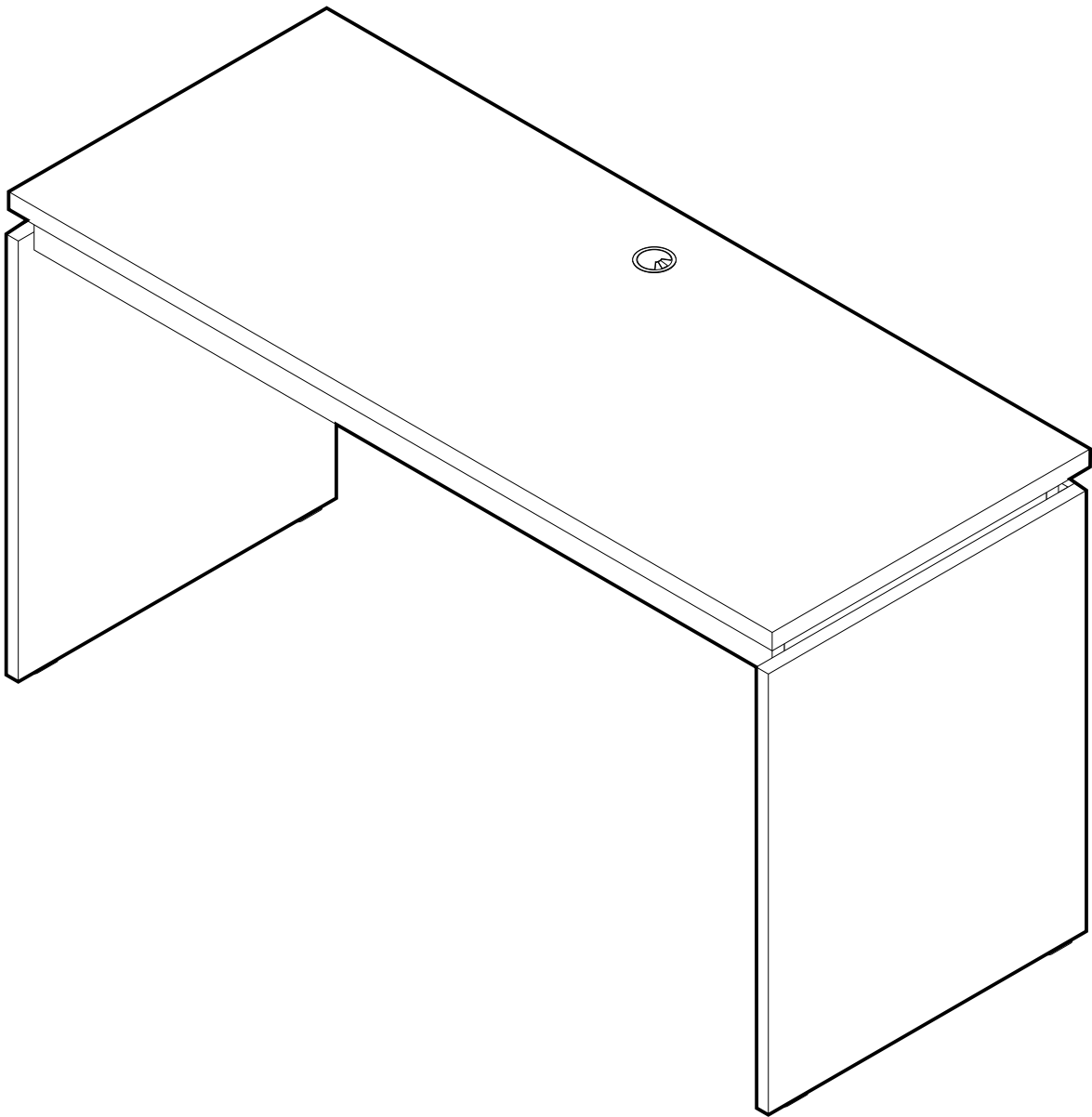
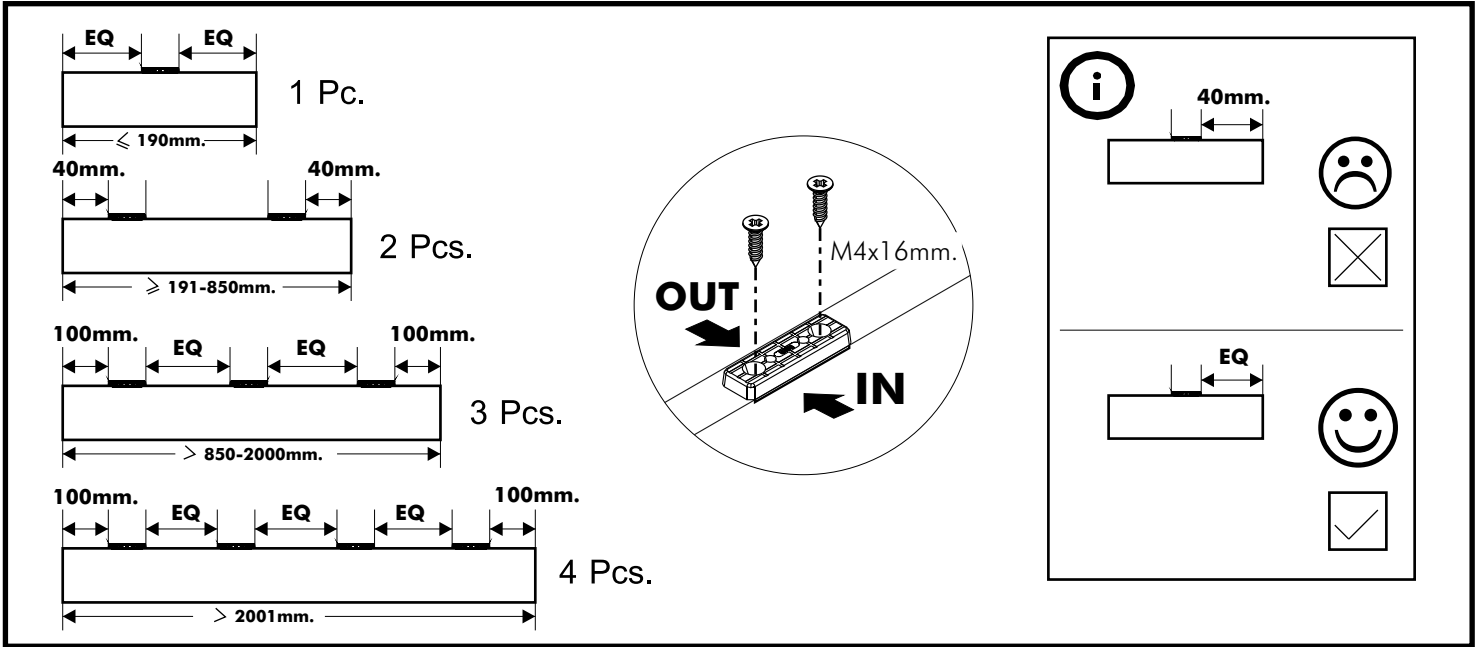


LINEO-P

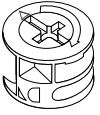
Working table 1200 mm.



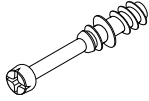
CONNECT SYSTEM



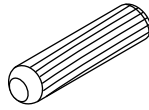
HARDWARE



X 4

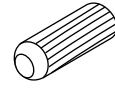


X 4



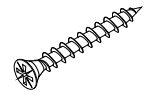
8x35mm.

X 4



8x20mm.

X 8



M4x30mm.

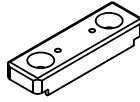
X 10



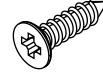
X 1



X 4



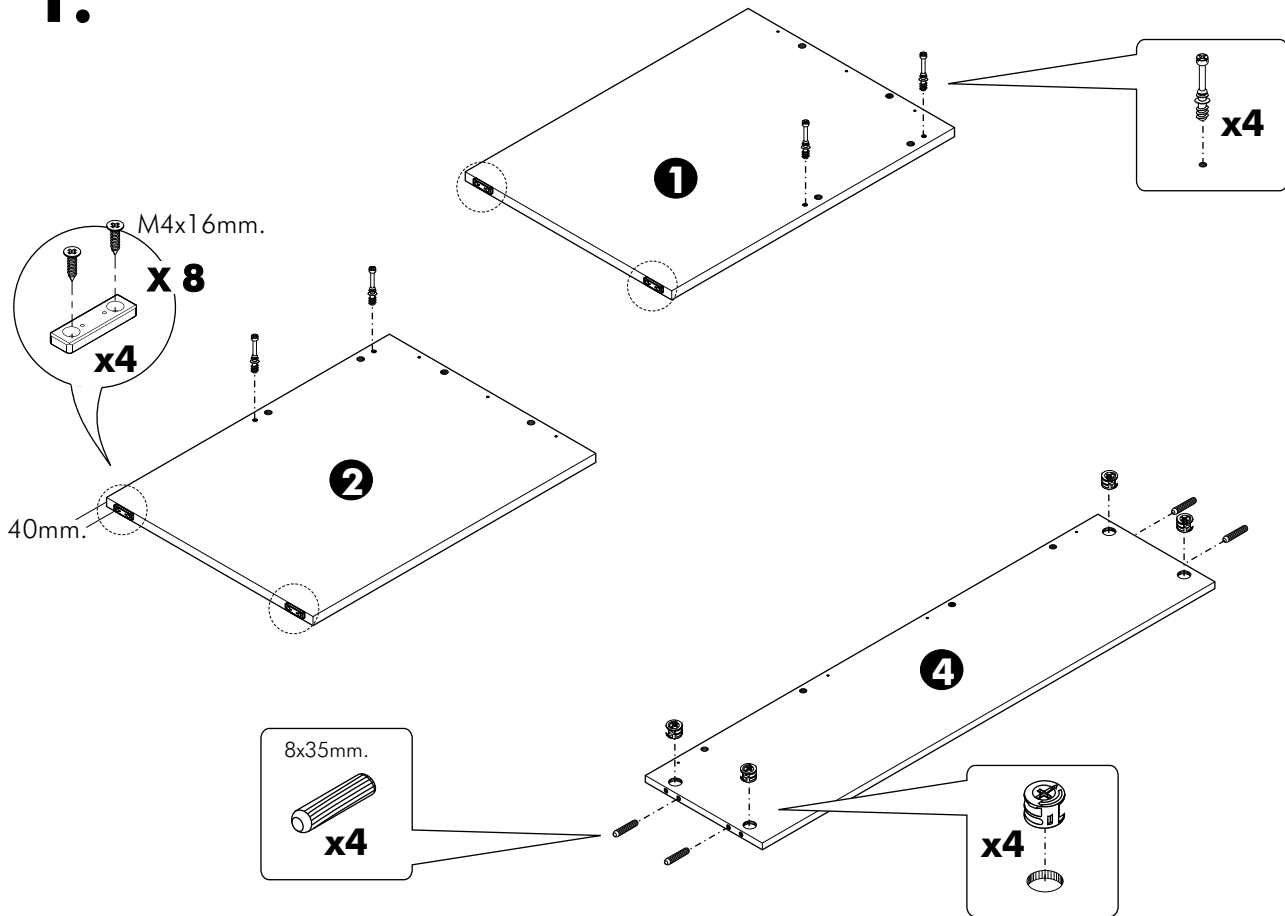
X 4



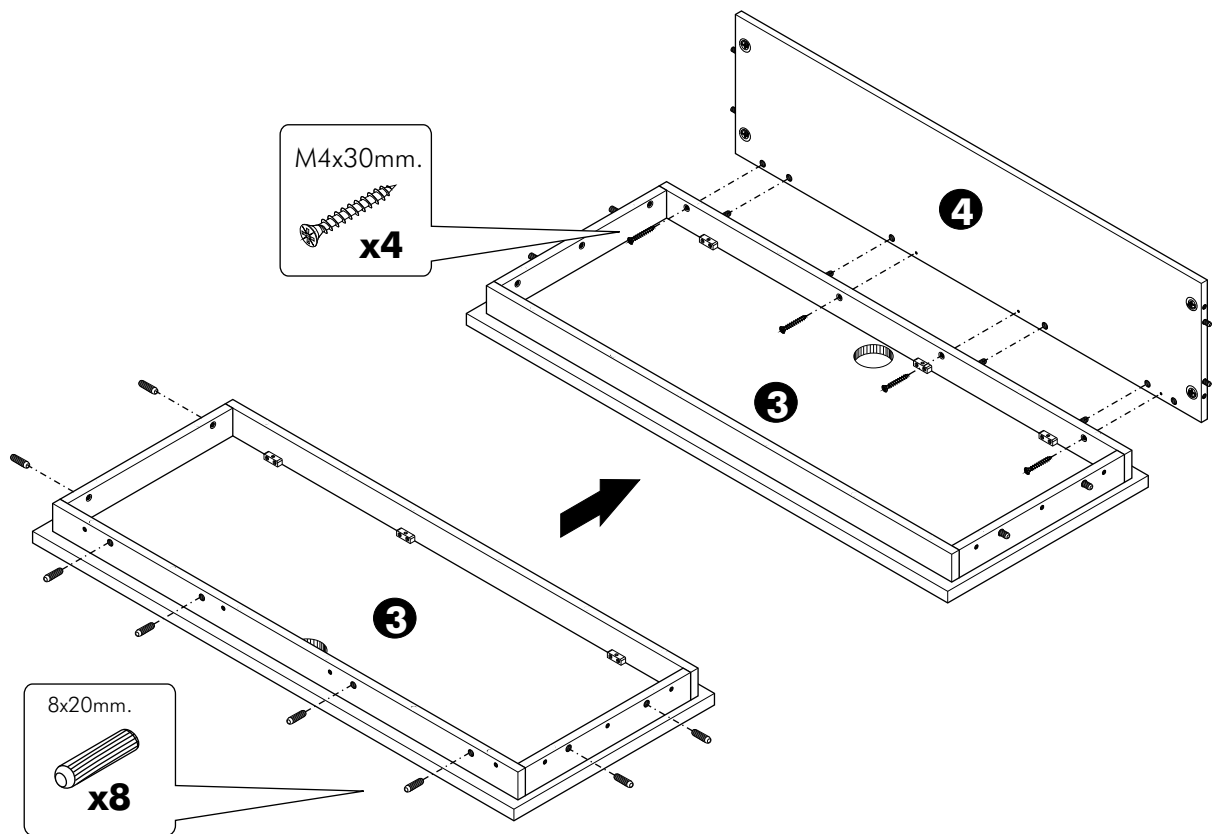
M4x16mm.

X 8

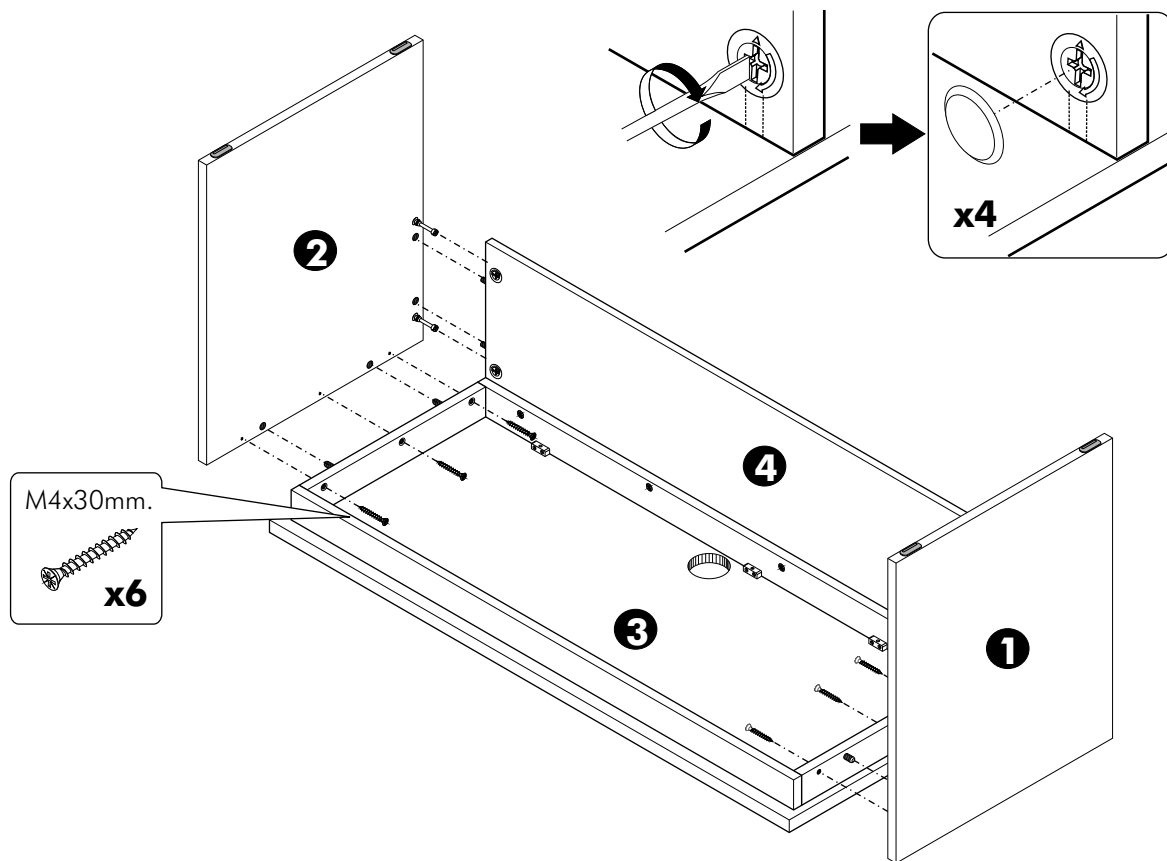
1.



2.



3.



4.

