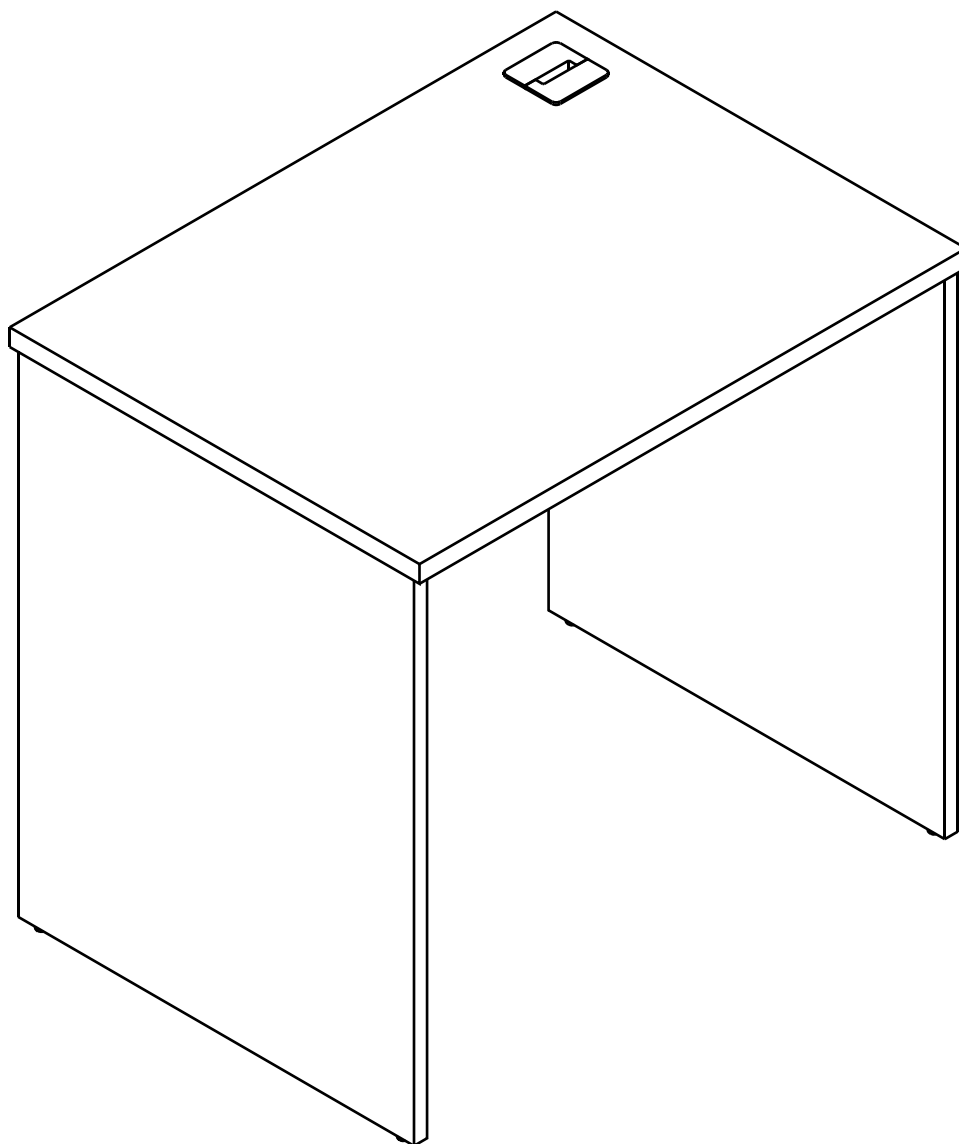


# ACTIVA-P

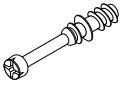
**Desk B 80 Wooden Leg**



# CONNECT SYSTEM



# HARDWARE

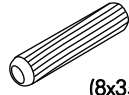


**x 10**



19mm.

**x 10**

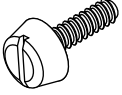


(8x35)

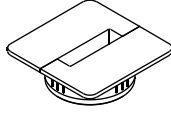
**x 10**



**x 10**

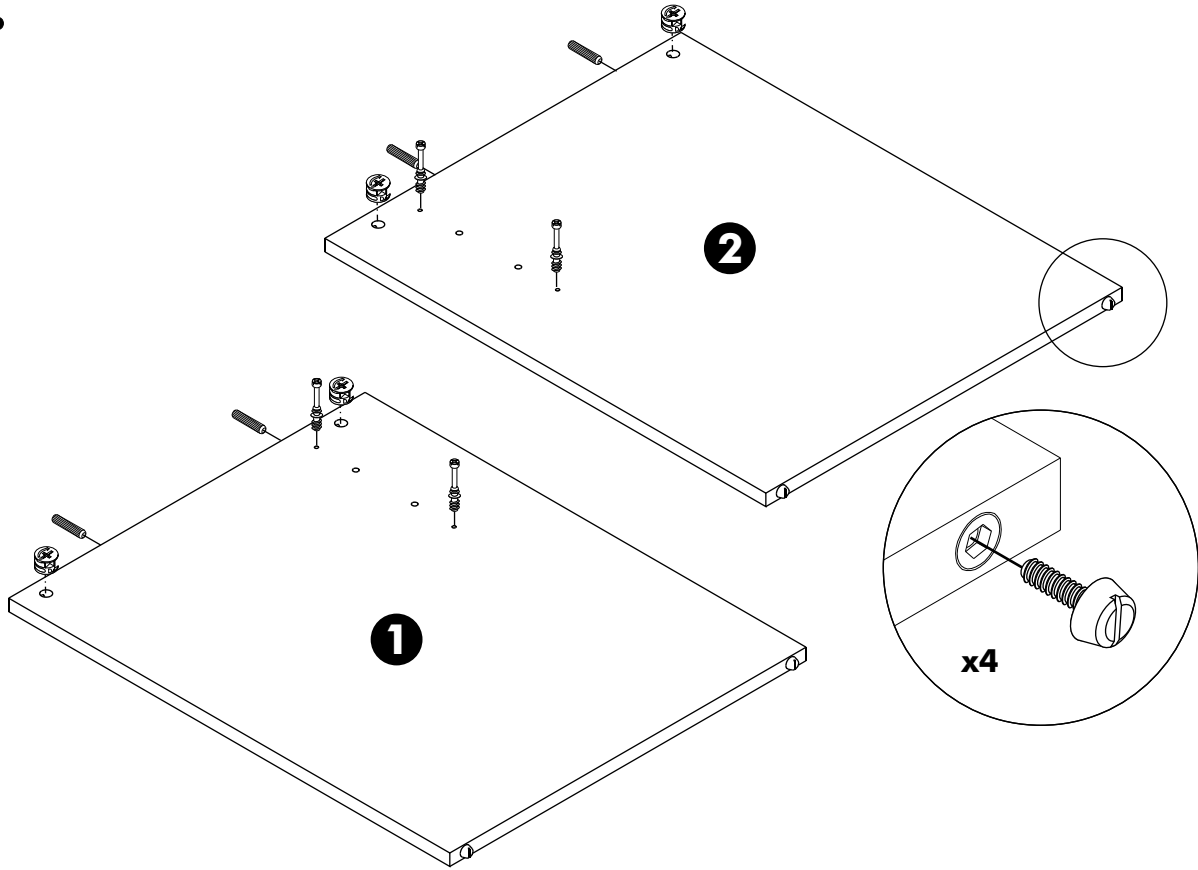


**x 4**

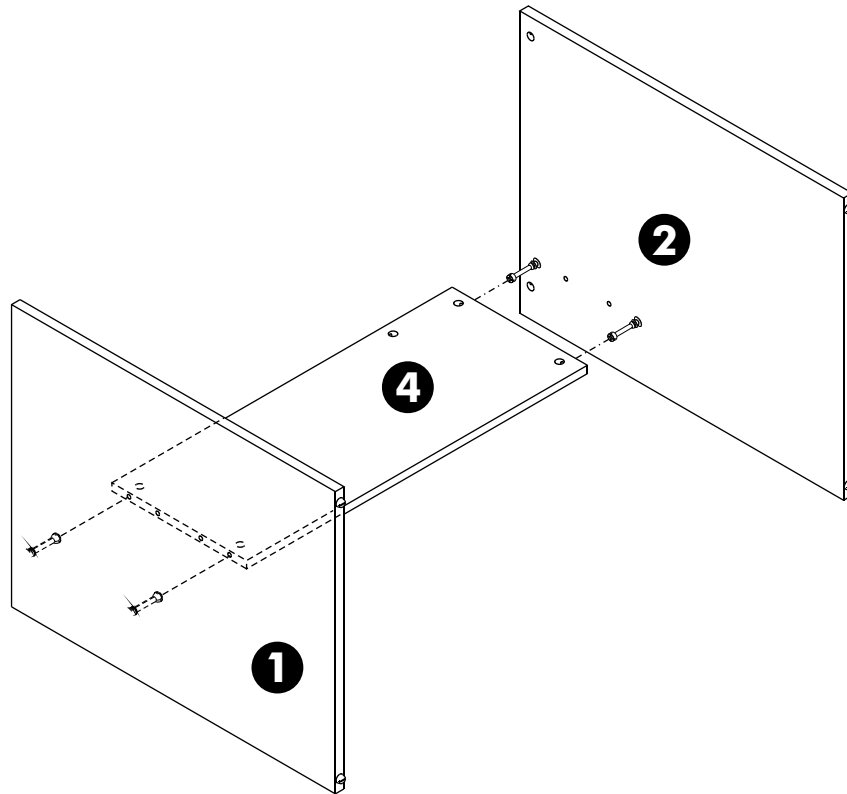


**x 1**

**1.**



**2.**



**4.**

