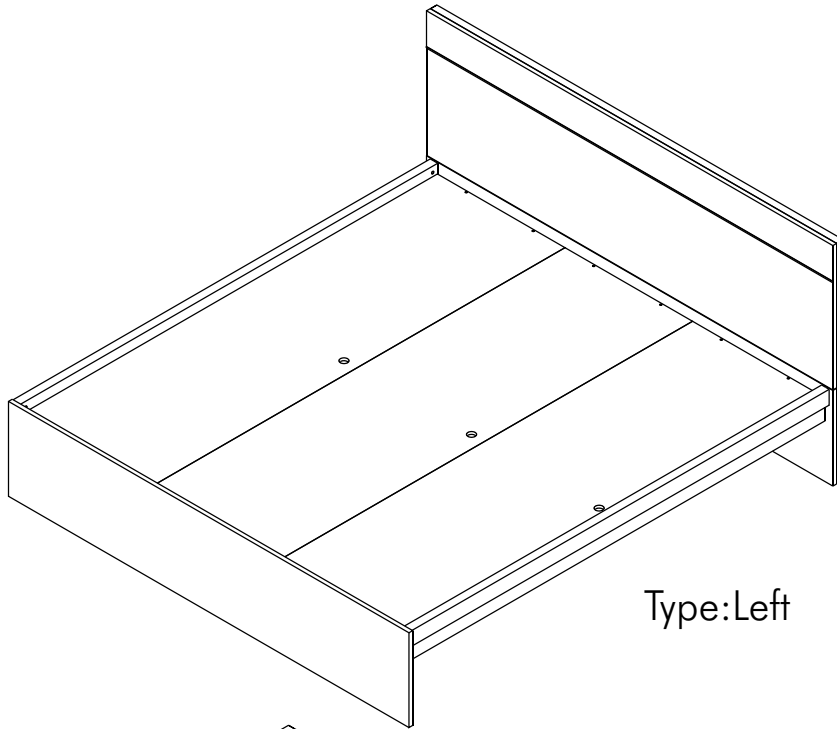
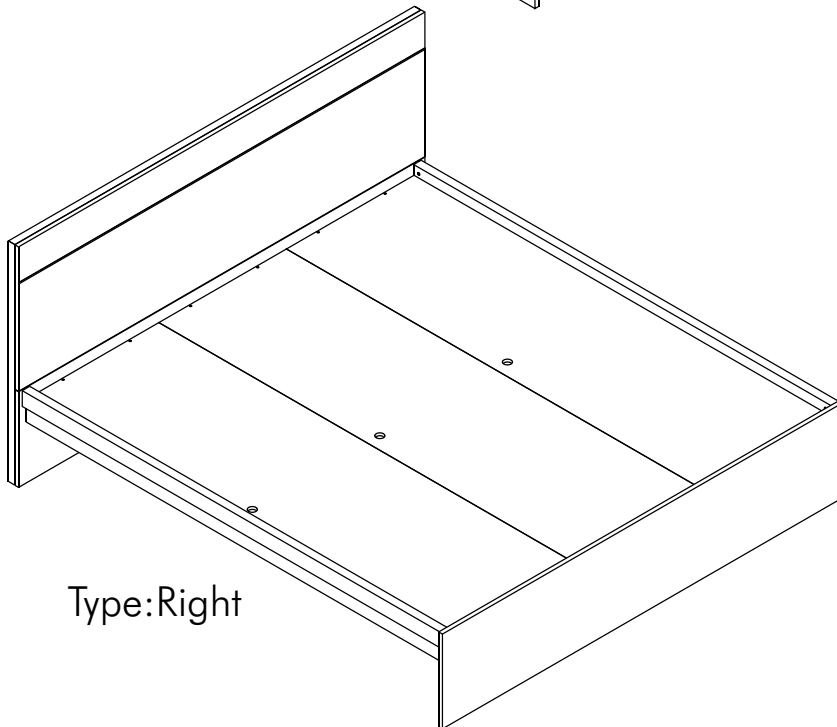


\$BLANC-P

HB+BB BOX 5ft
HB+BB BOX 6ft



Type:Left



Type:Right

CONNECT SYSTEM

1

3

2

(Connecting bolts)

WHEN FITTING CAMS
 ENSURE STARTING POSITION IS CORRECT
 BEFORE YOU INSERT CONNECTING BOLT
 TURN CLOCKWISE UNTIL SECURE

✓				✗
↑	CORRECT	WRONG		

1 Pc. $\leq 190\text{mm.}$

2 Pcs. $\geq 191-850\text{mm.}$

3 Pcs. $> 850-2000\text{mm.}$

4 Pcs. $> 2001\text{mm.}$

OUT

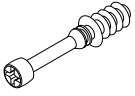
IN

M4x16mm.

i

HARDWARE

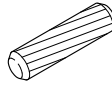
-BODY SET



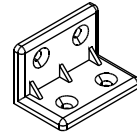
x 4



x 4



x 4



x 4



No.1

x 3



M4x16mm.

x 13



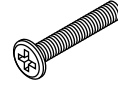
#M6

x 4



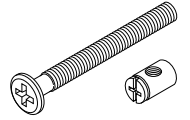
#M6

x 4



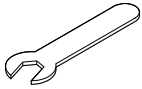
TF+M6x45

x 4



JCB+ M6x60

x 4



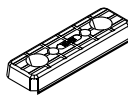
No.10

x 1

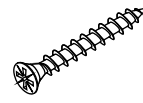


M4x16mm.

x 40



x 12



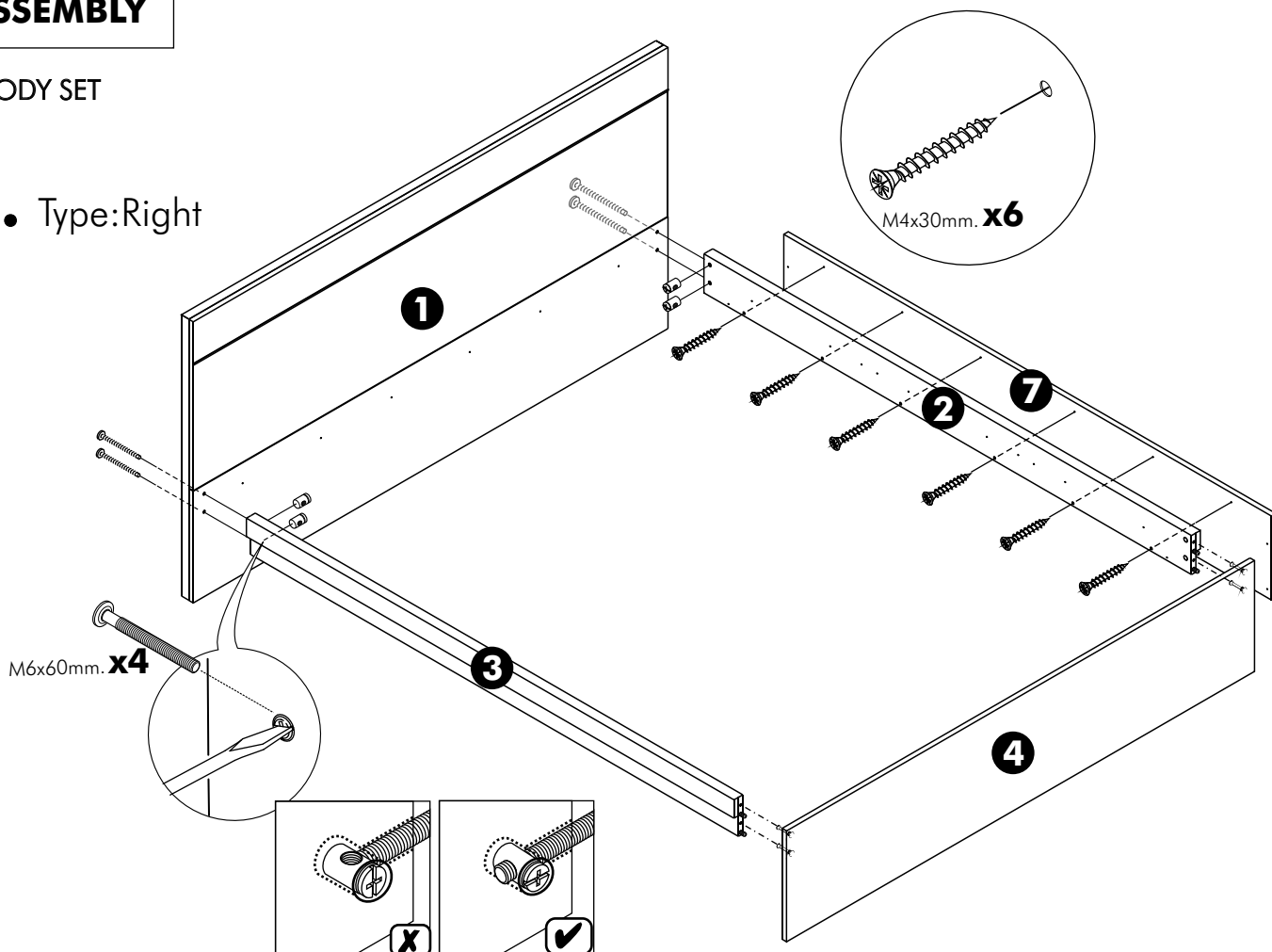
M4x30mm.

x 59

ASSEMBLY

-BODY SET

1. Type:Right



2. Type:Right

