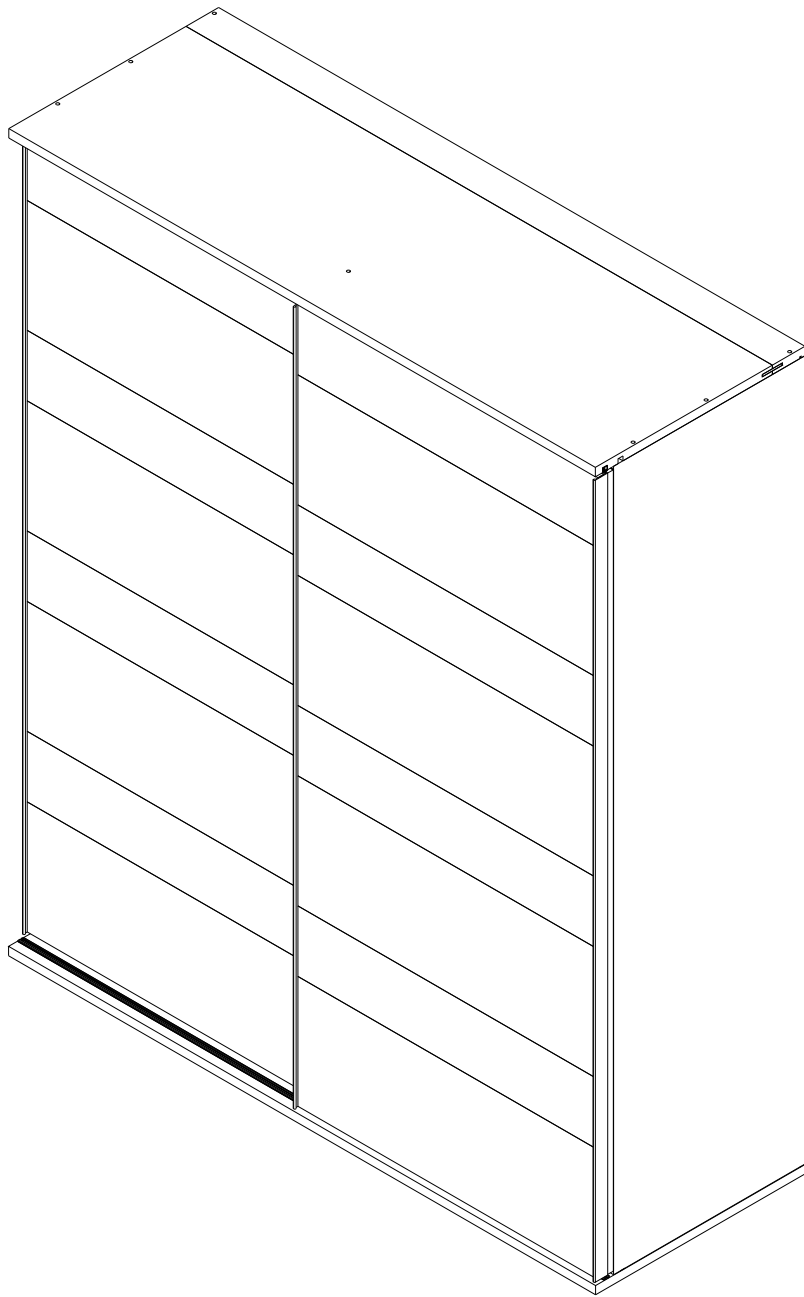
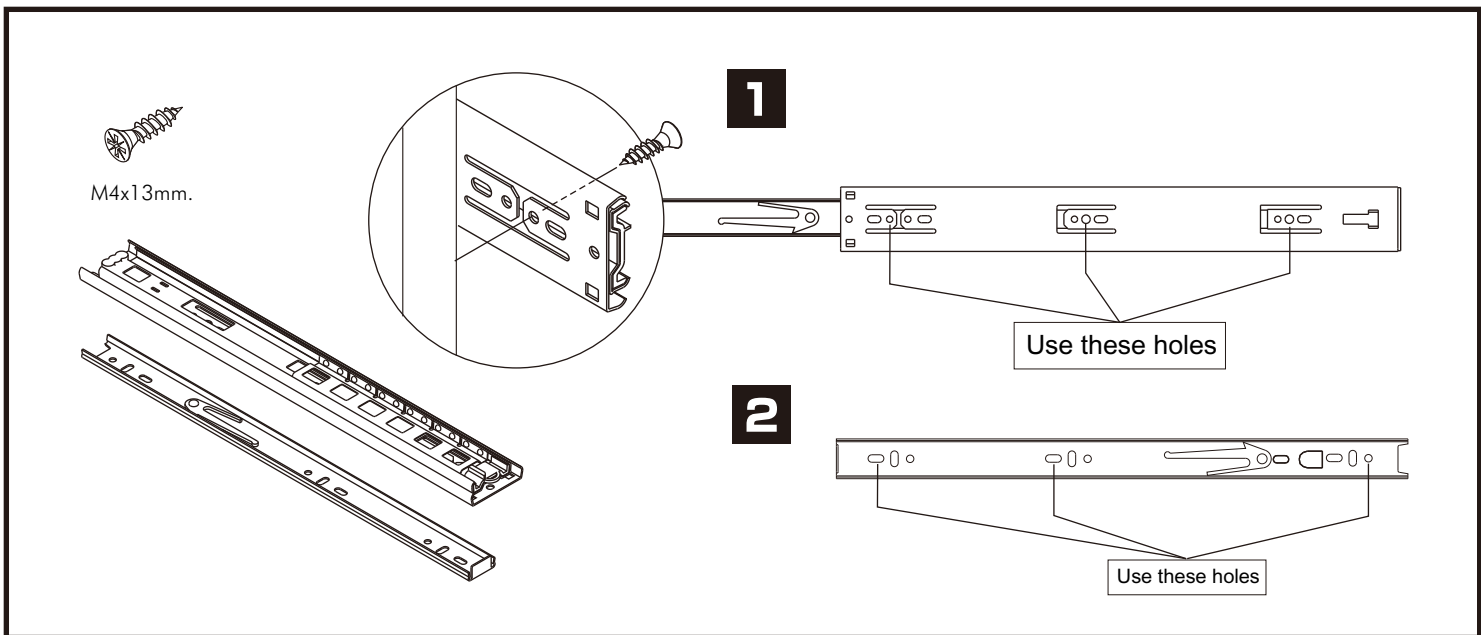
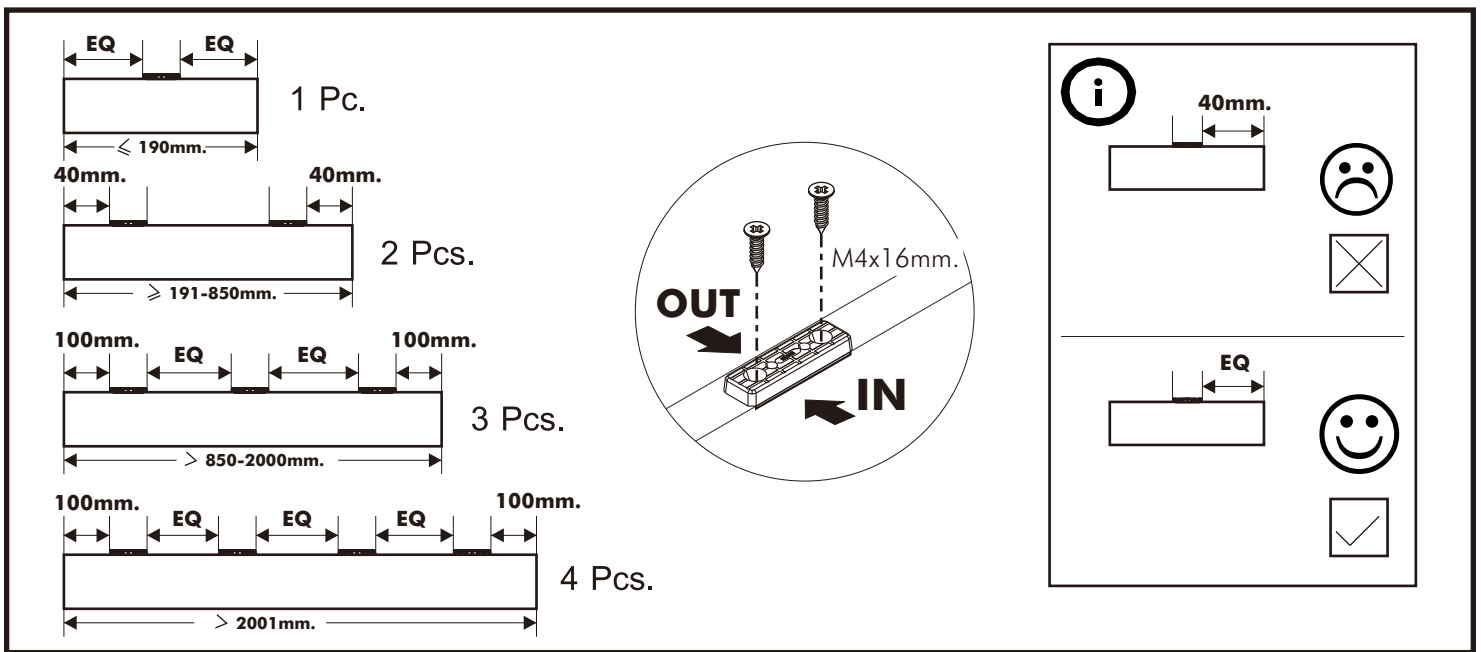
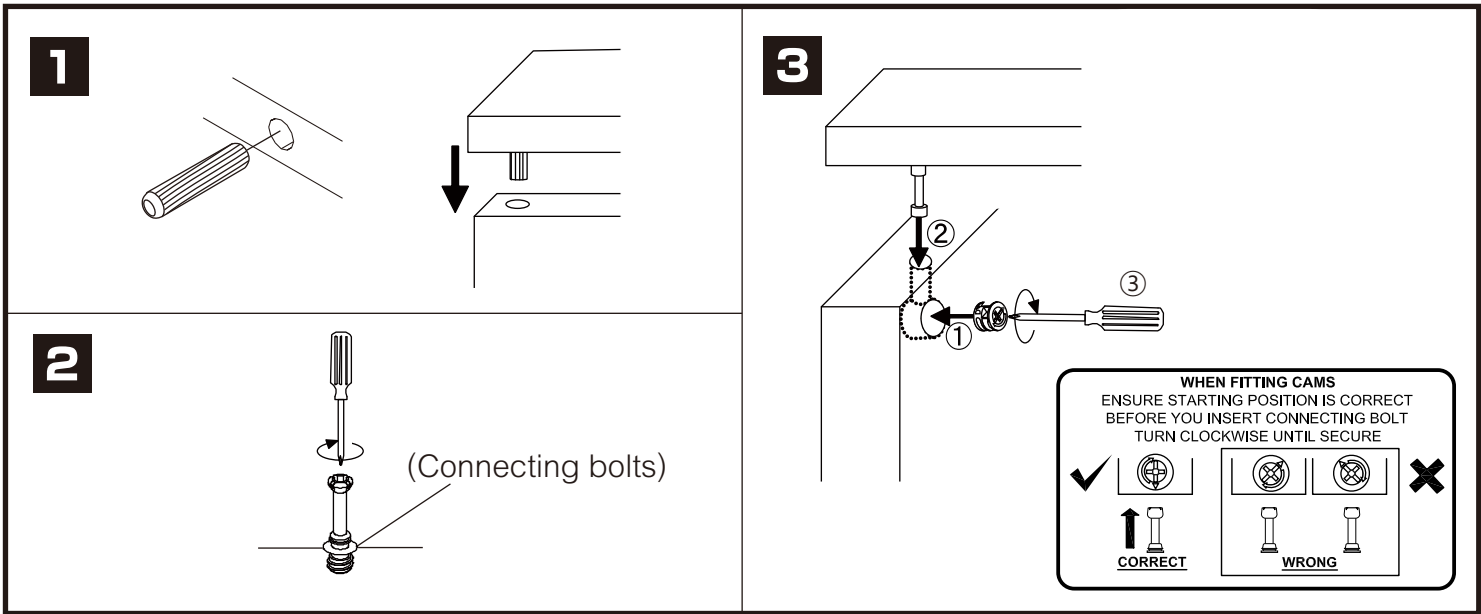


BISCOTTA-P

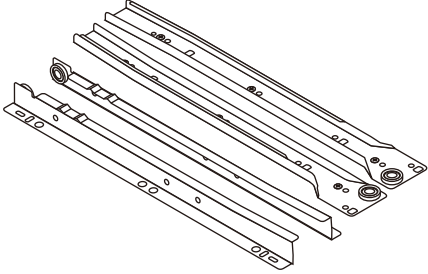
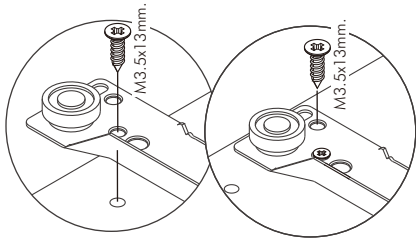
Wardrobe Slide 180 cm.



CONNECT SYSTEM

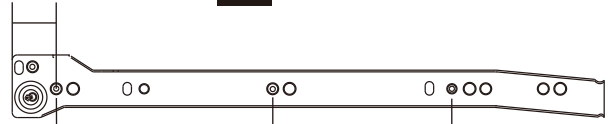


M3.5x13mm.



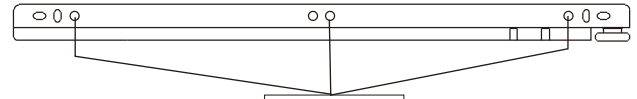
28mm.

1

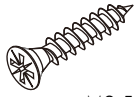


Use these holes

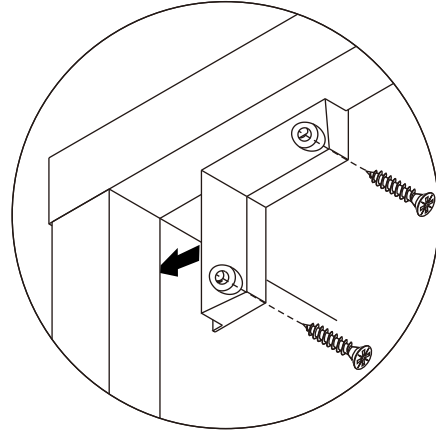
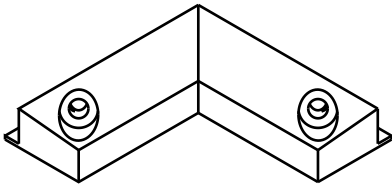
2



Use these holes

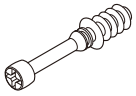


M3.5x20mm.



HARDWARE

-BODY SET

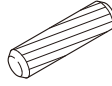


x 38



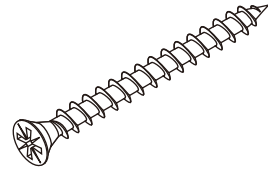
19 mm.

x 18



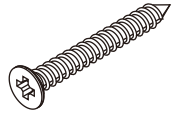
8x35mm.

x 44



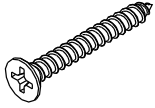
M4x50mm.

x 26



M4x40mm.

x 49

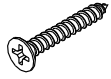


M4x35mm.

x 4



x 5



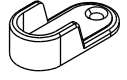
M4x25mm.

x 15



12 mm.

x 20



x 2



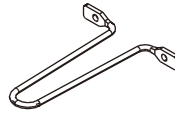
M3.5x13mm.

x 4



M4x16mm.

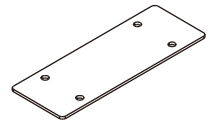
x 39



x 1



x 8

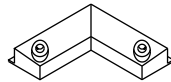


x 2



6x35mm.

x 46

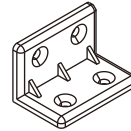


x 4



M3.5x20mm.

x 8



x 6



M4x16mm.

x 48



M4x13mm.

x 12



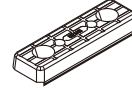
∅ 5x18 mm.

x 3

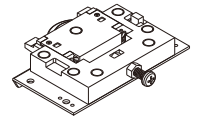


∅ 11mm.

x 5



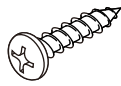
x 8



x 4



x 4

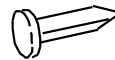


M3.5x20mm.

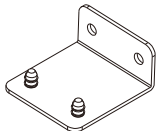
x 3



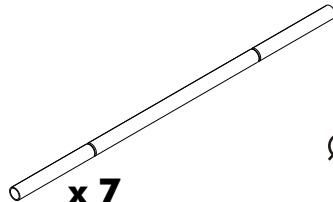
x 4



x 4



x 2/4

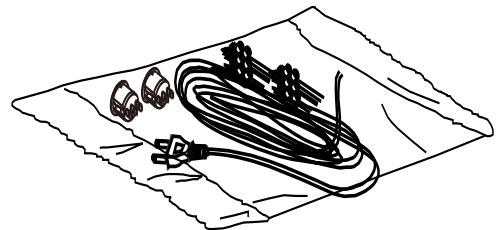


x 7

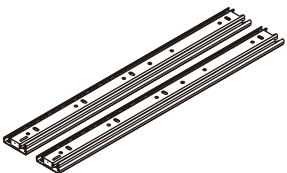


∅ 5x23 mm.

x 2



-DRAWER SET

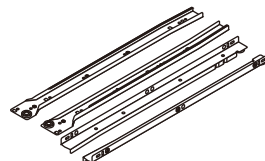


x 1



M3.5x13mm.

x 56



x 4



M4x13mm.

x 12



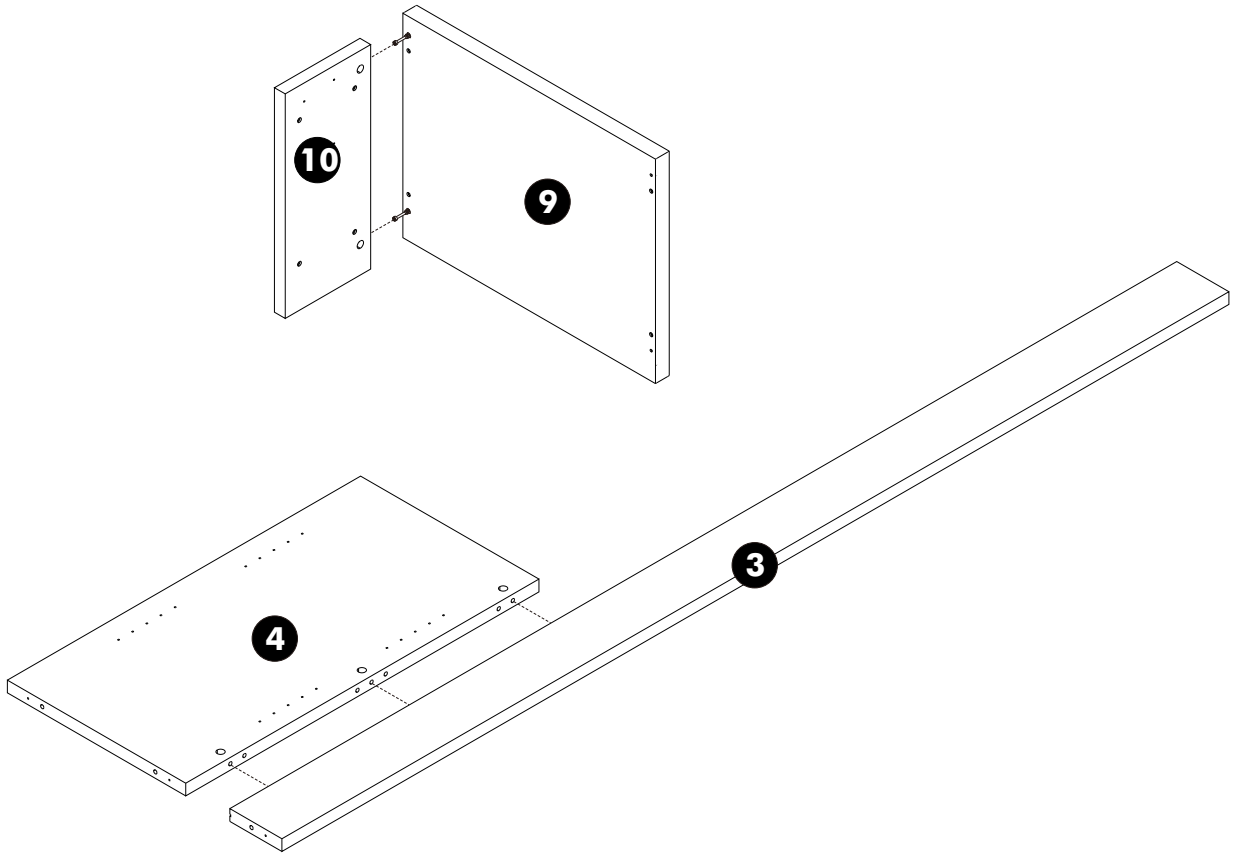
TFL4 M6x30

x 4

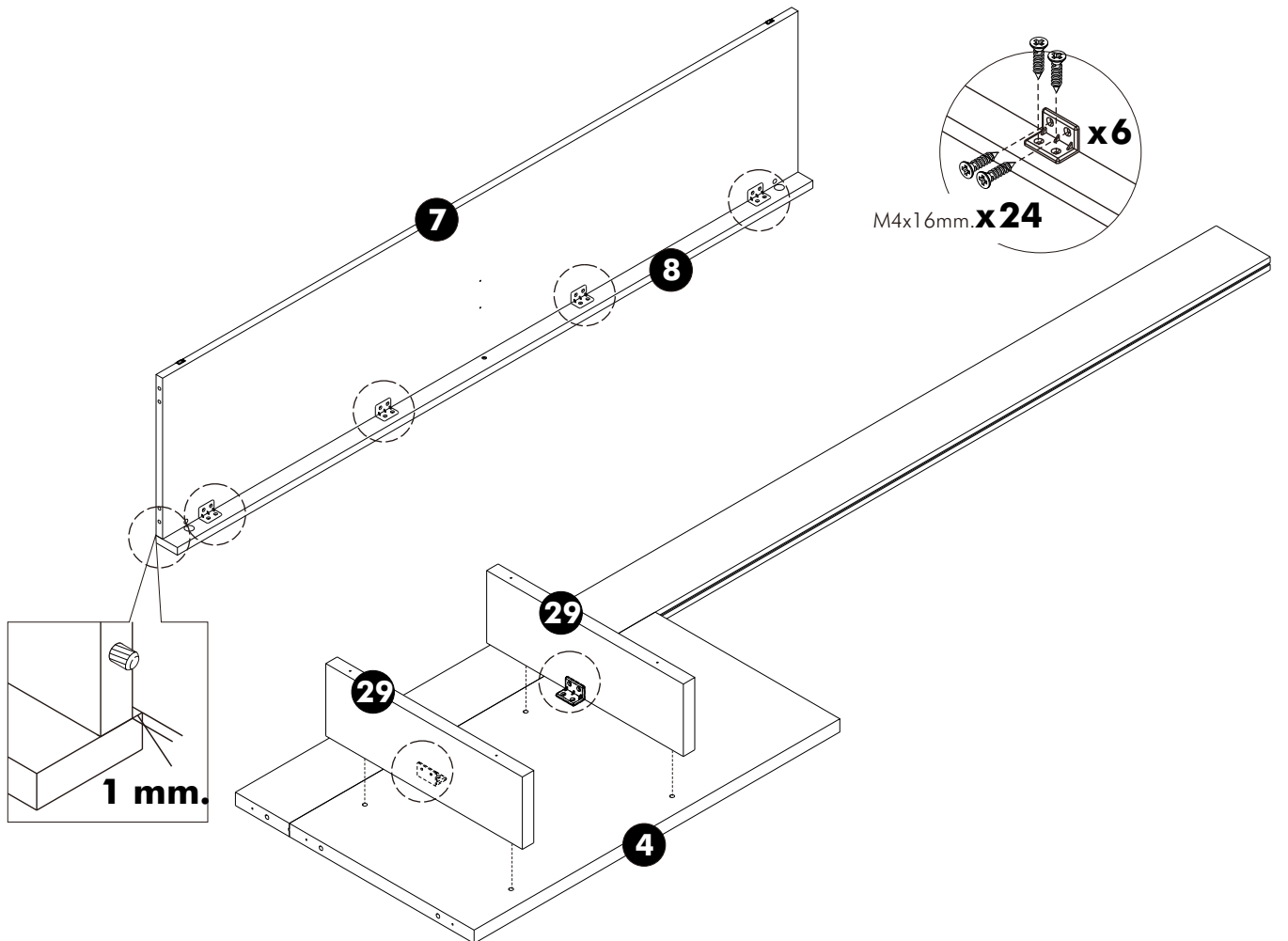
ASSEMBLY

-BODY SET

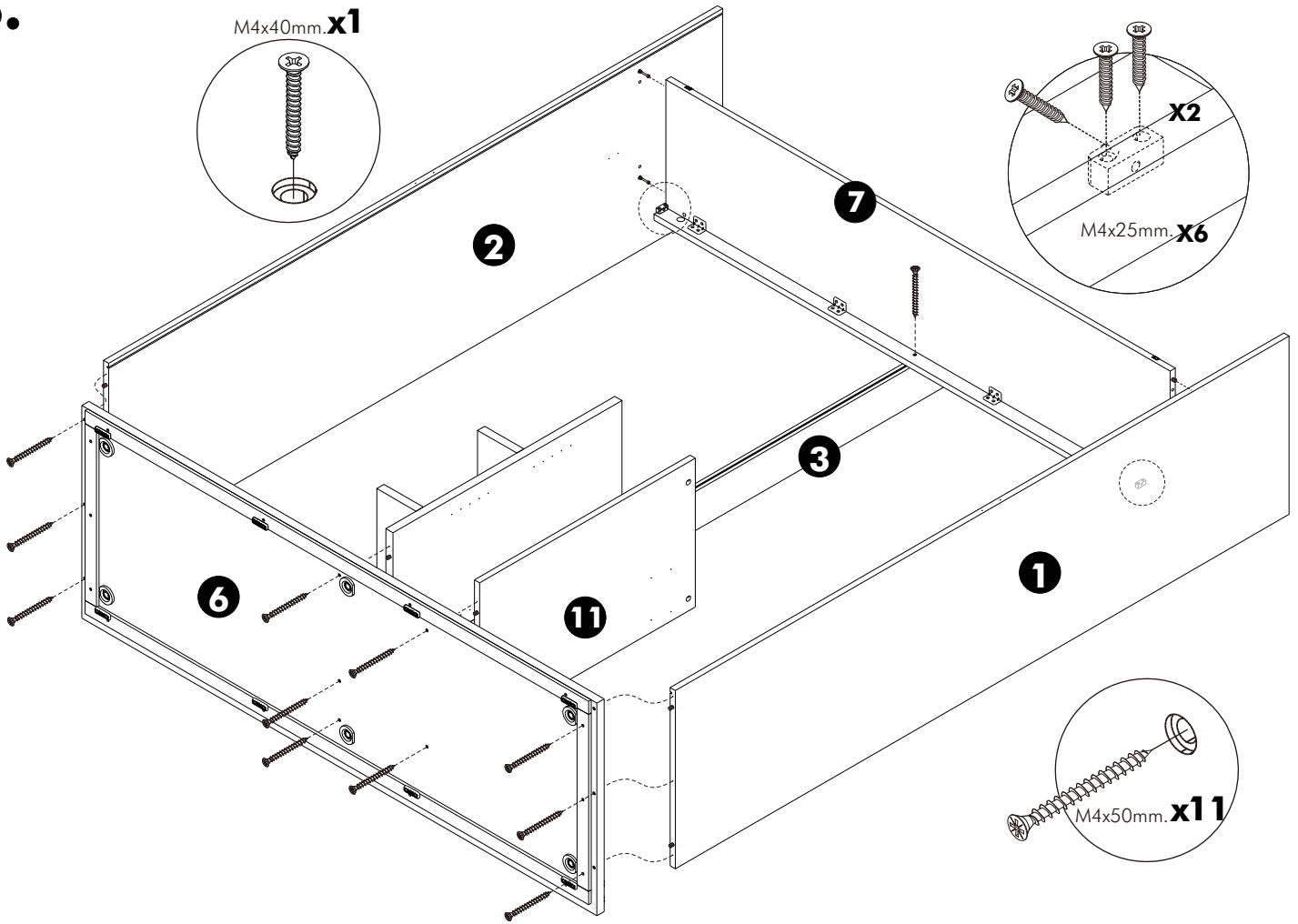
1.



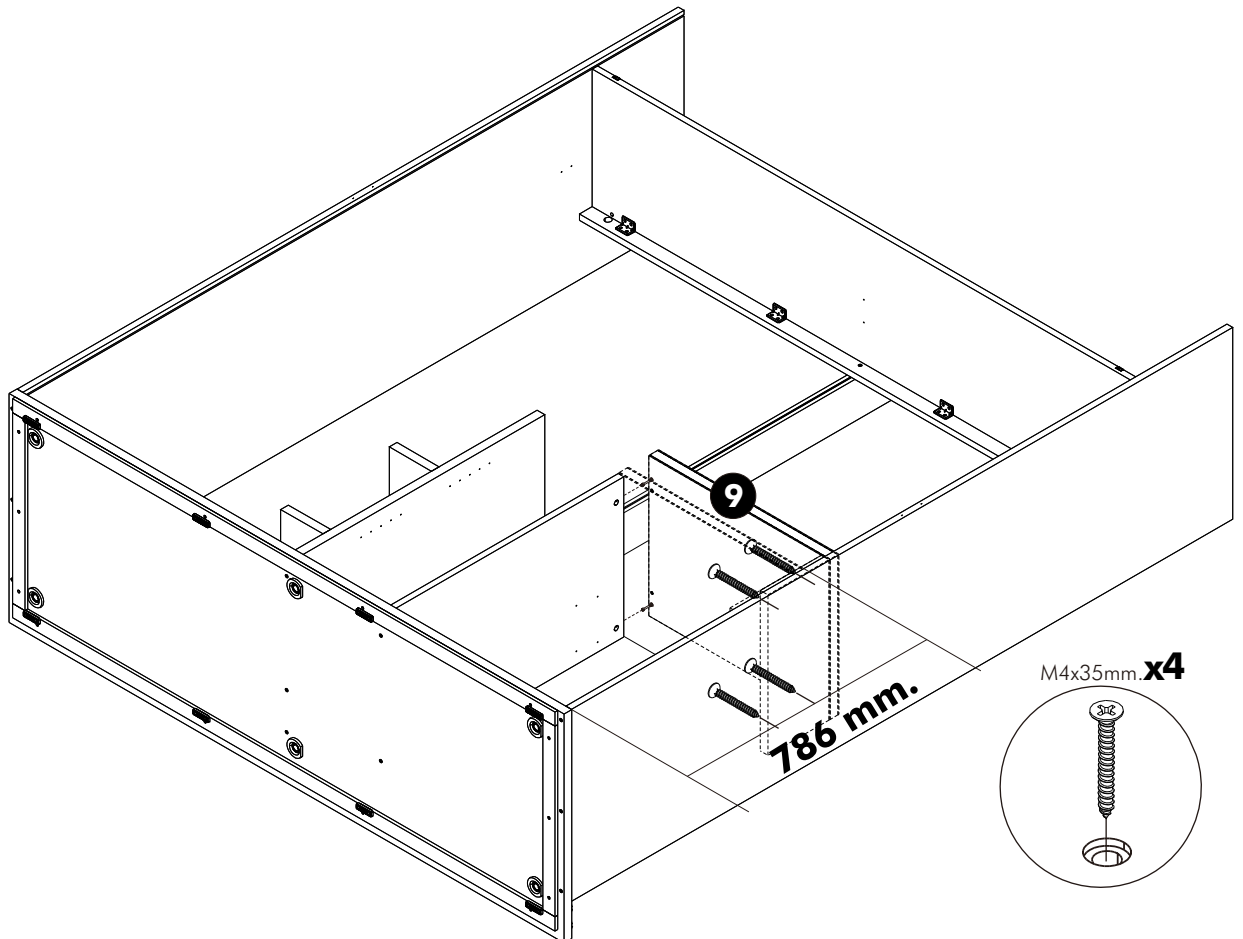
2.



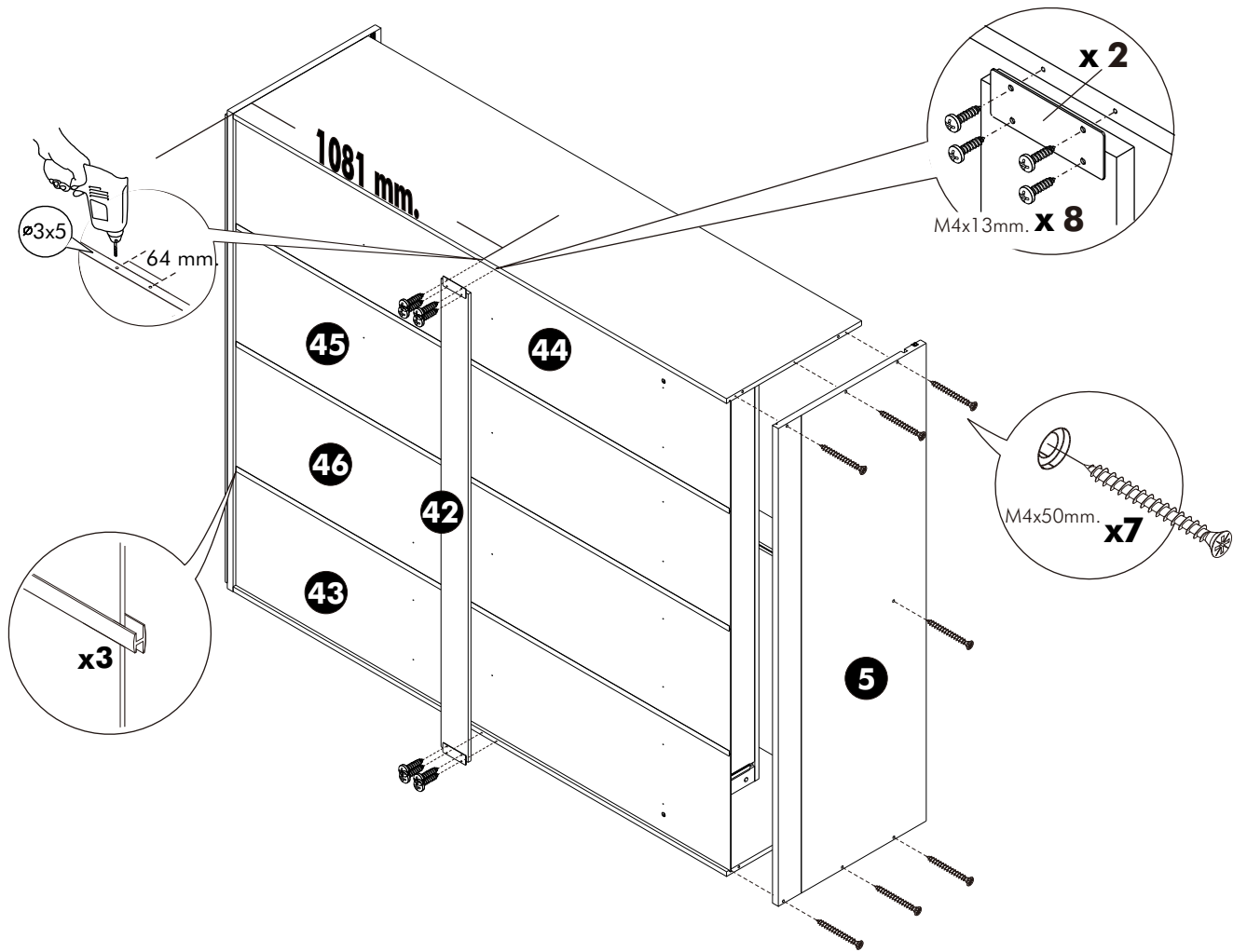
3.



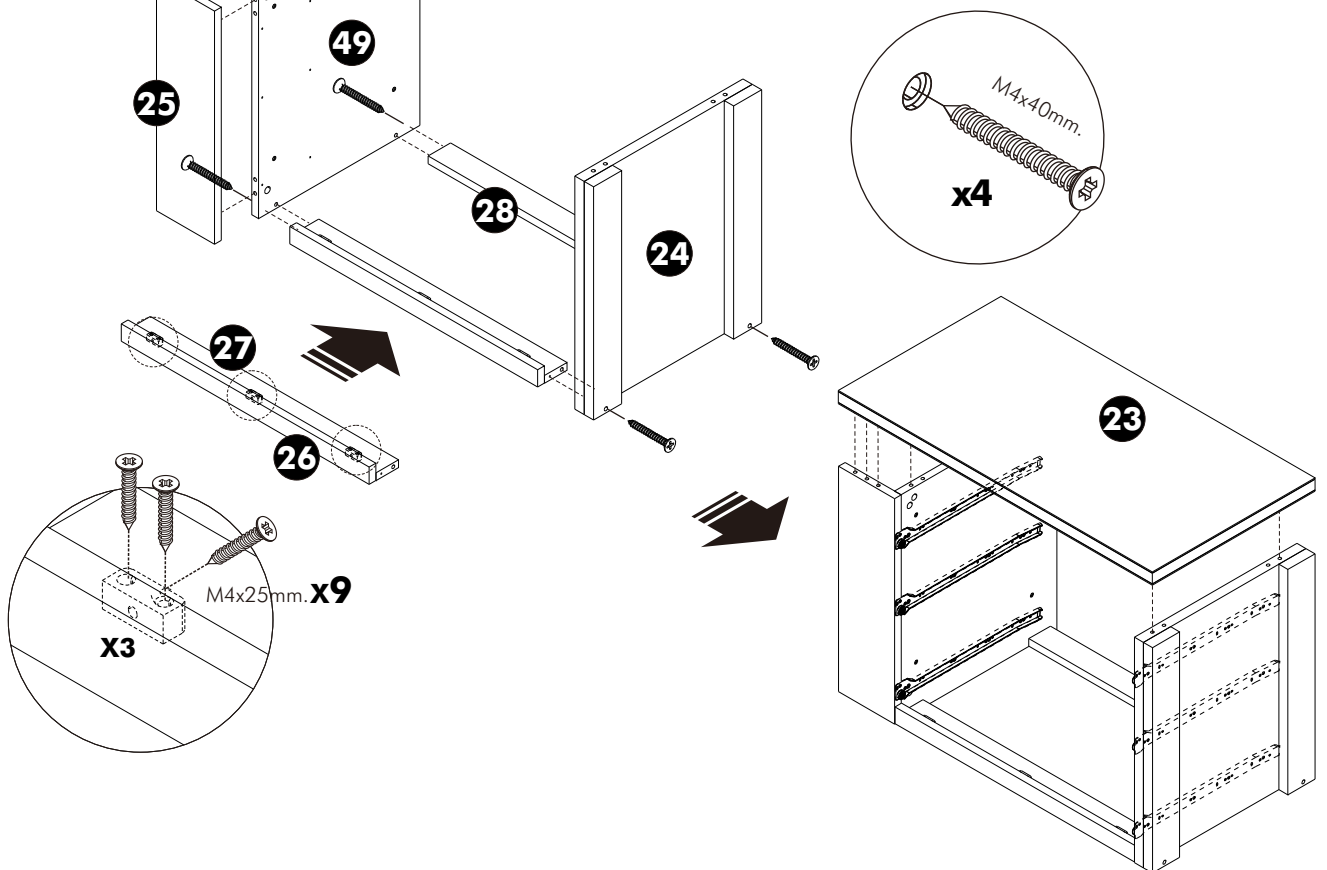
4.



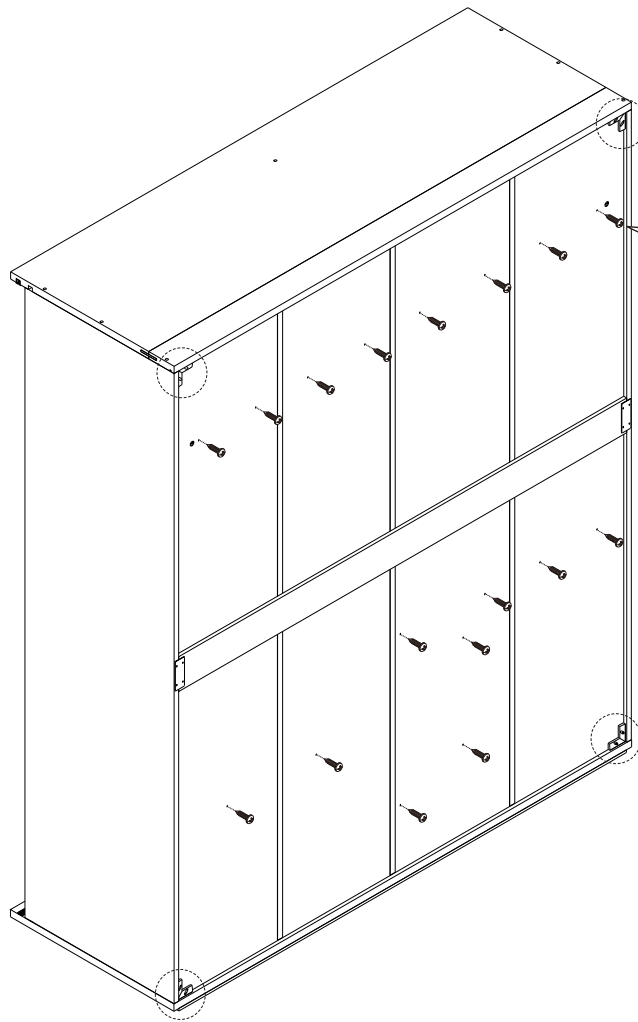
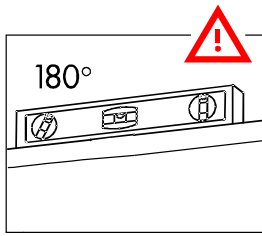
5.



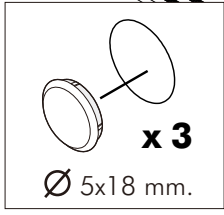
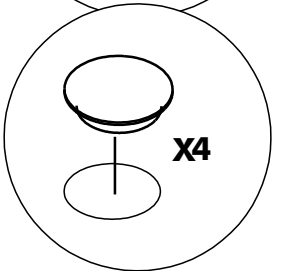
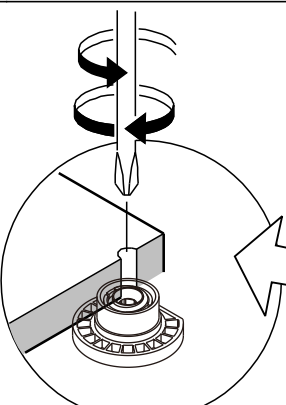
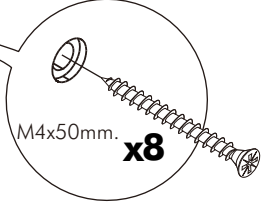
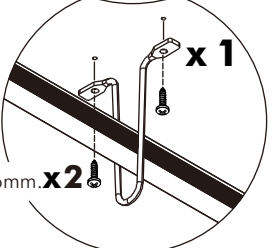
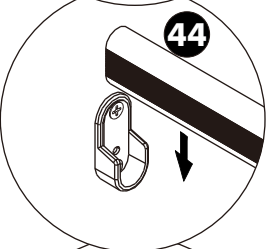
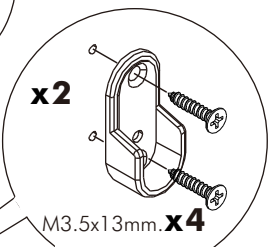
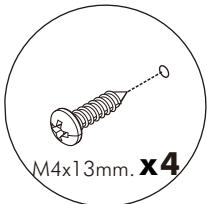
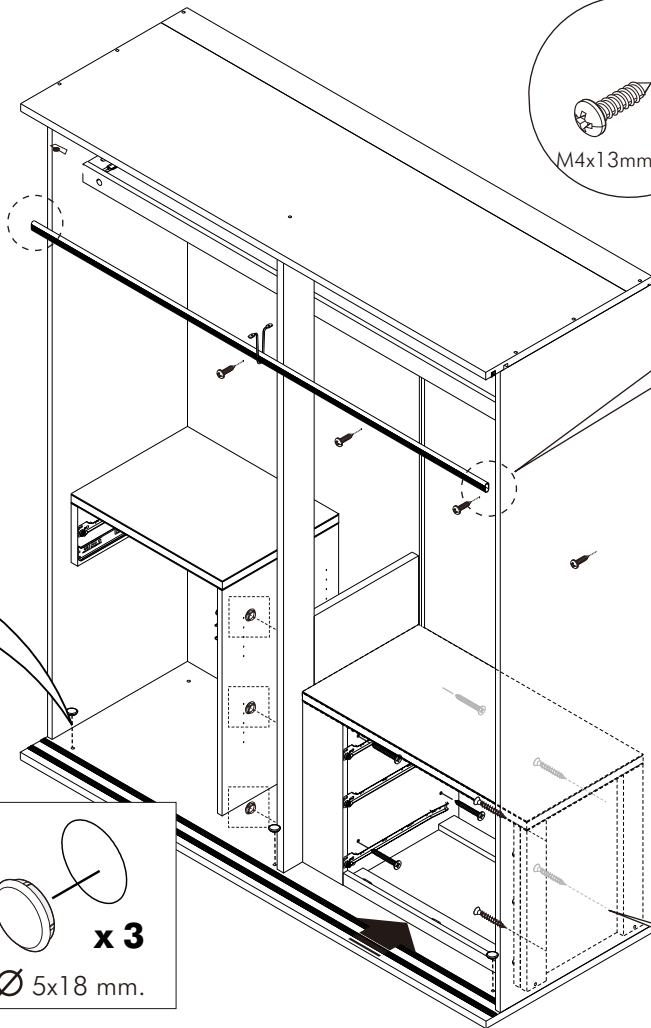
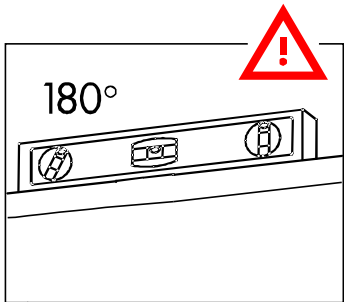
6.



7.



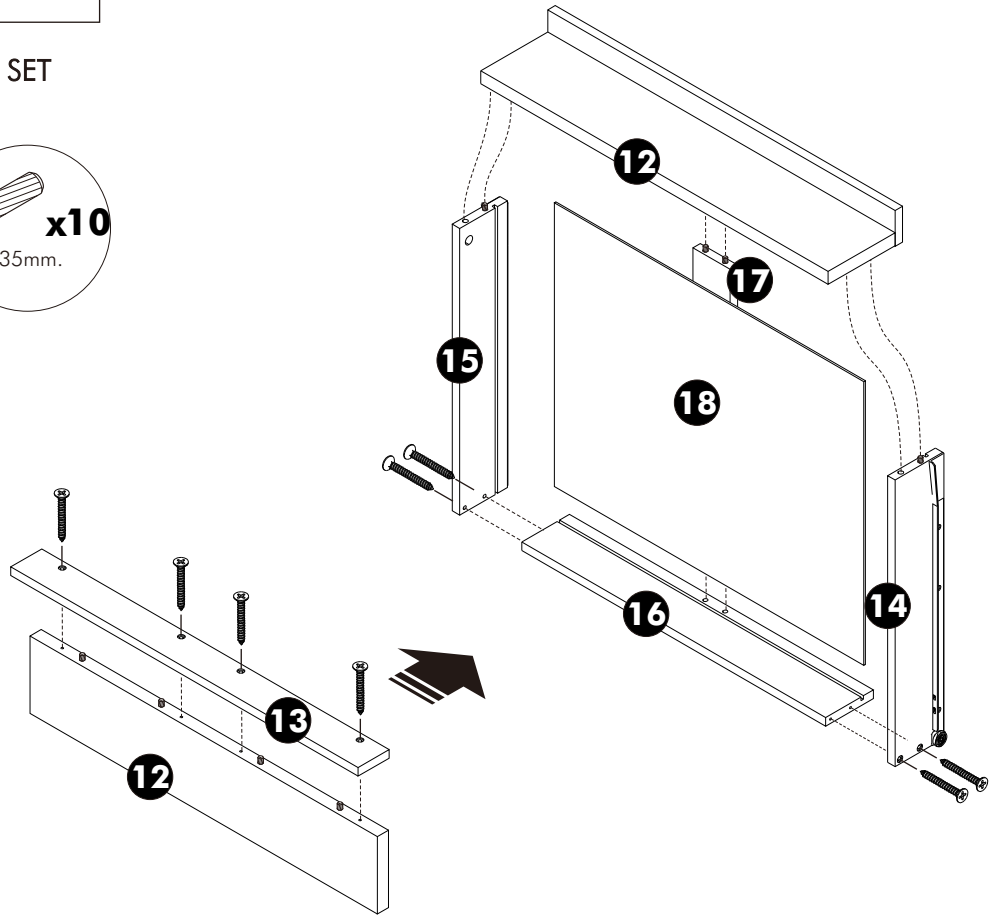
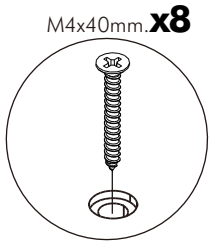
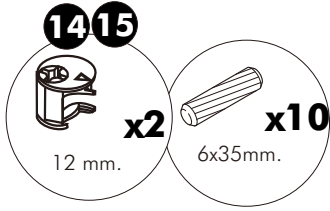
8.



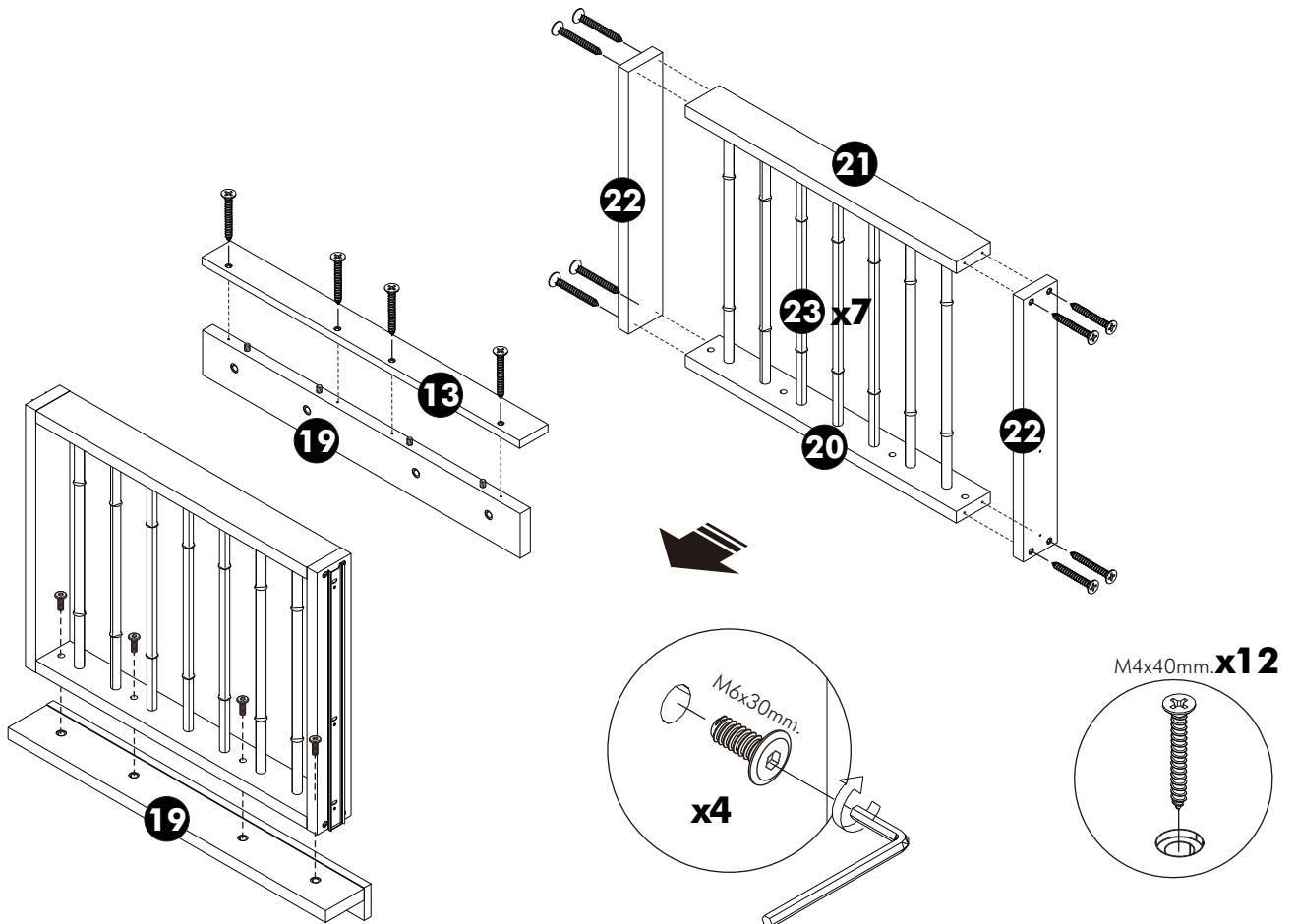
9.

ASSEMBLY

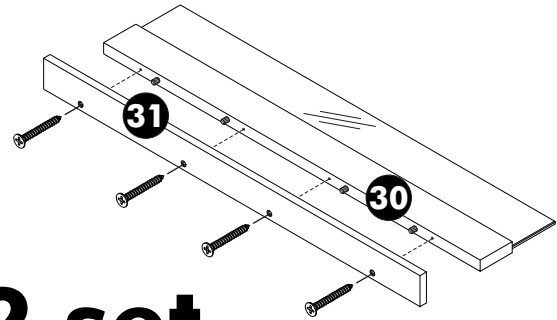
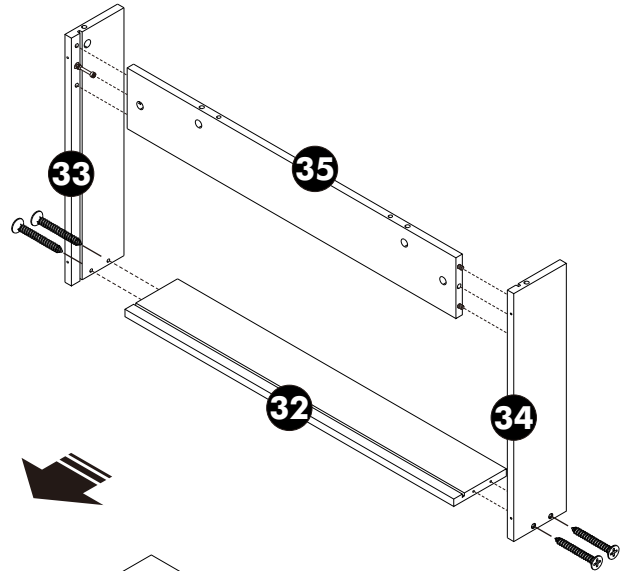
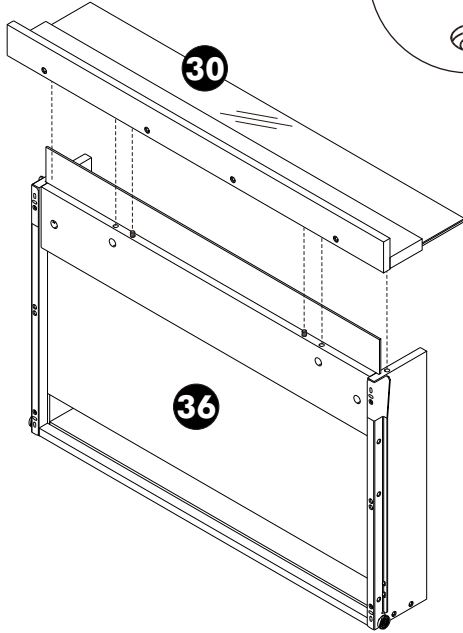
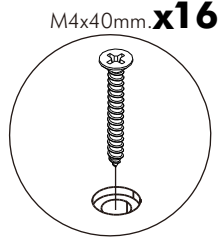
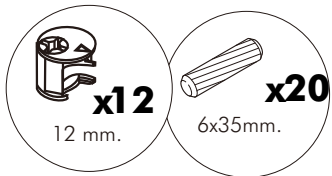
-DRAWER SET



10.



11.

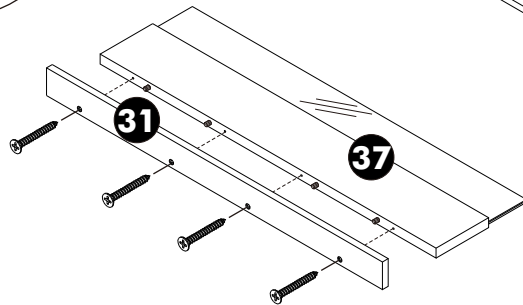
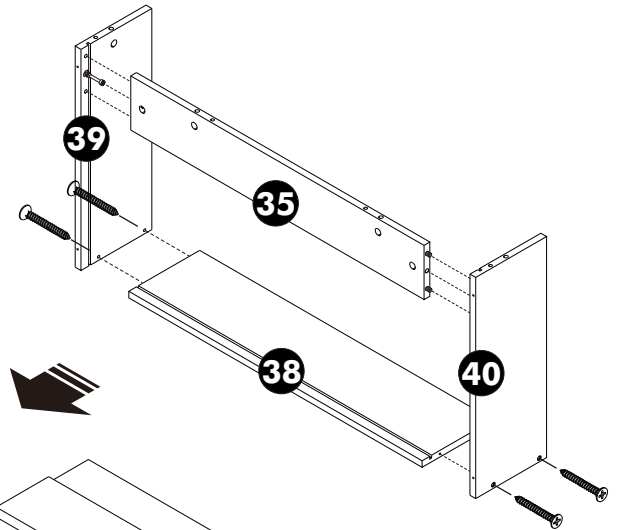
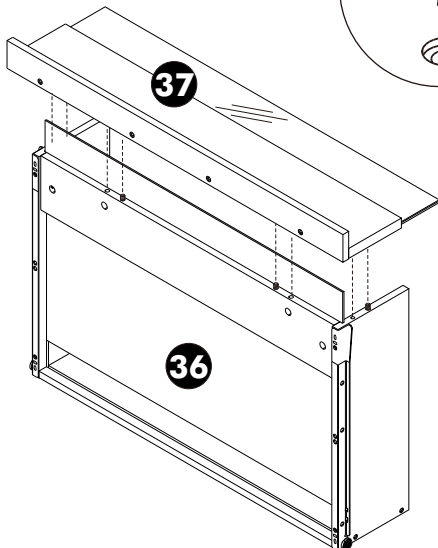
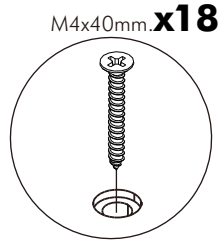
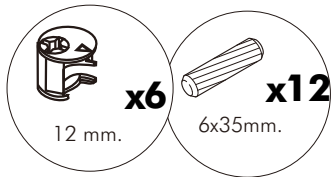


2 set

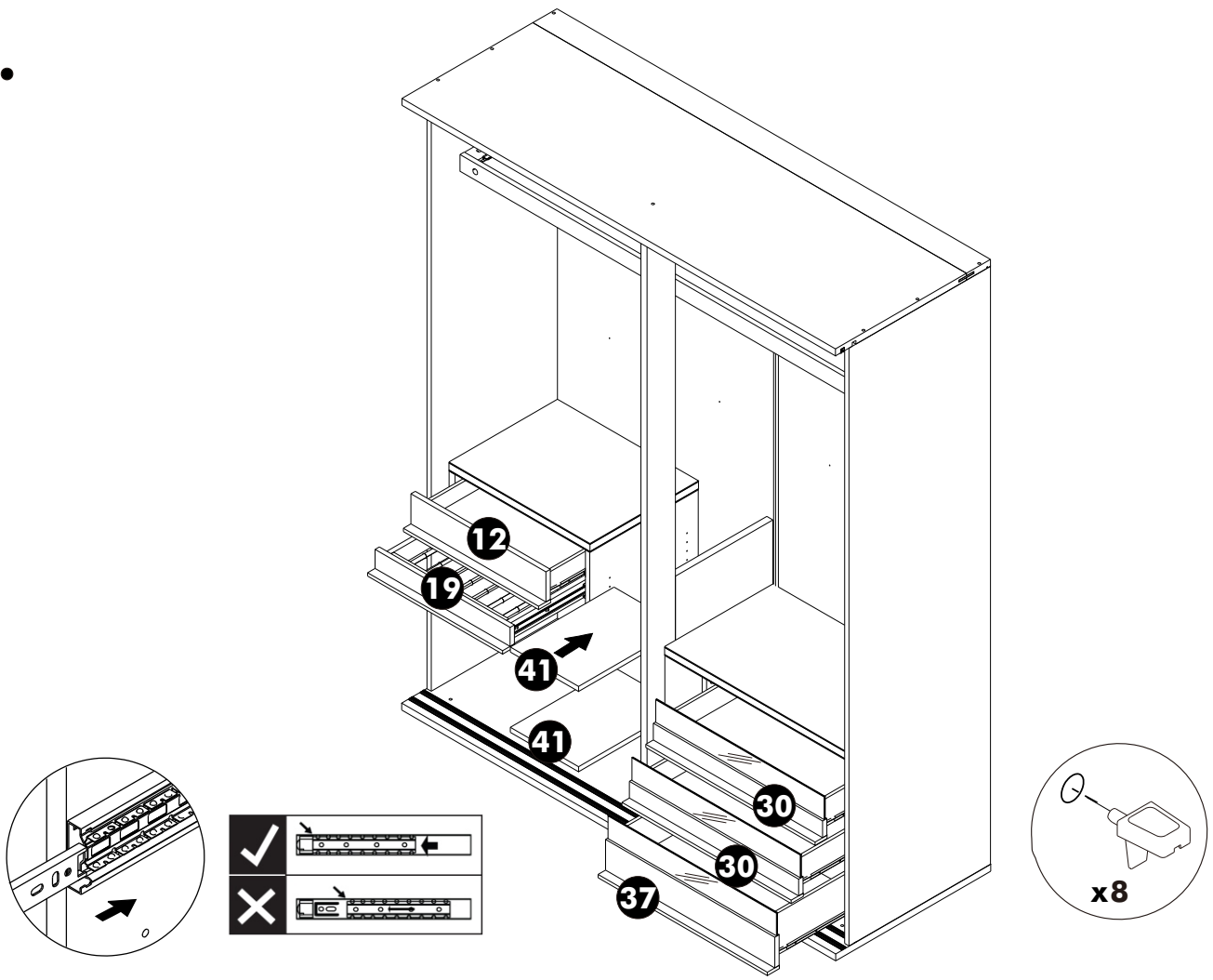
12.

ASSEMBLY

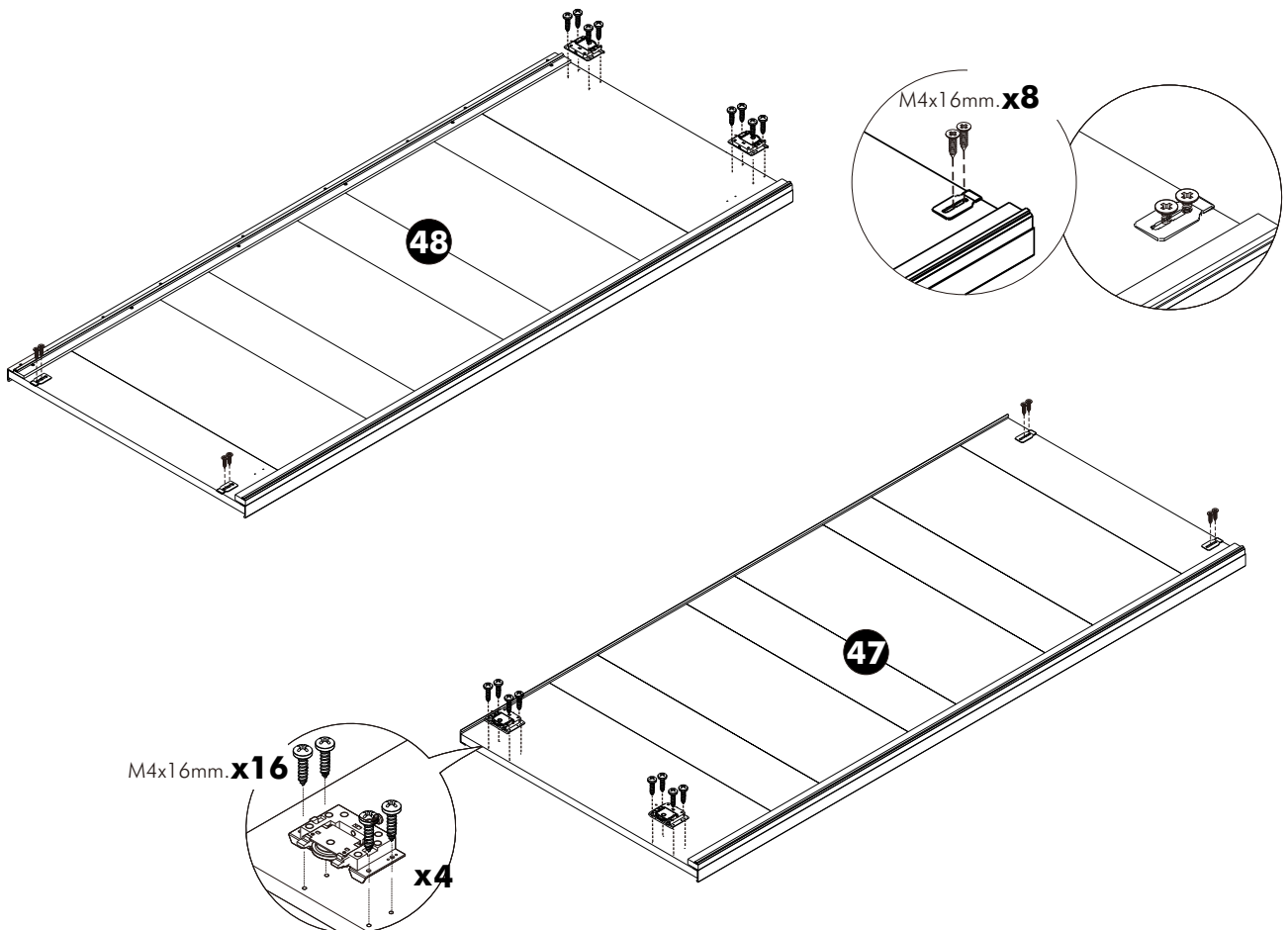
-DOOR SET



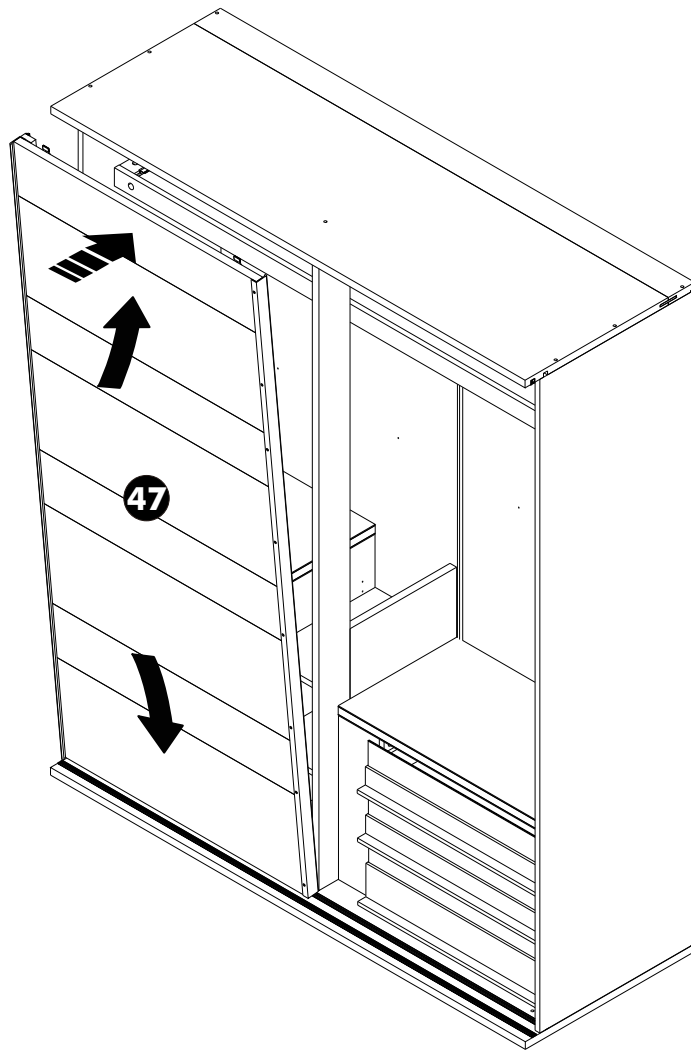
13.



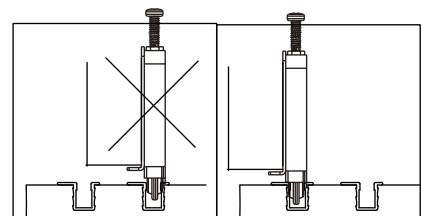
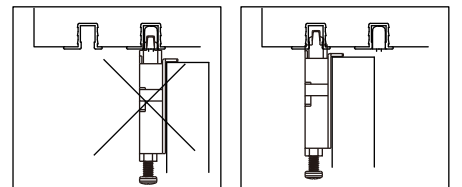
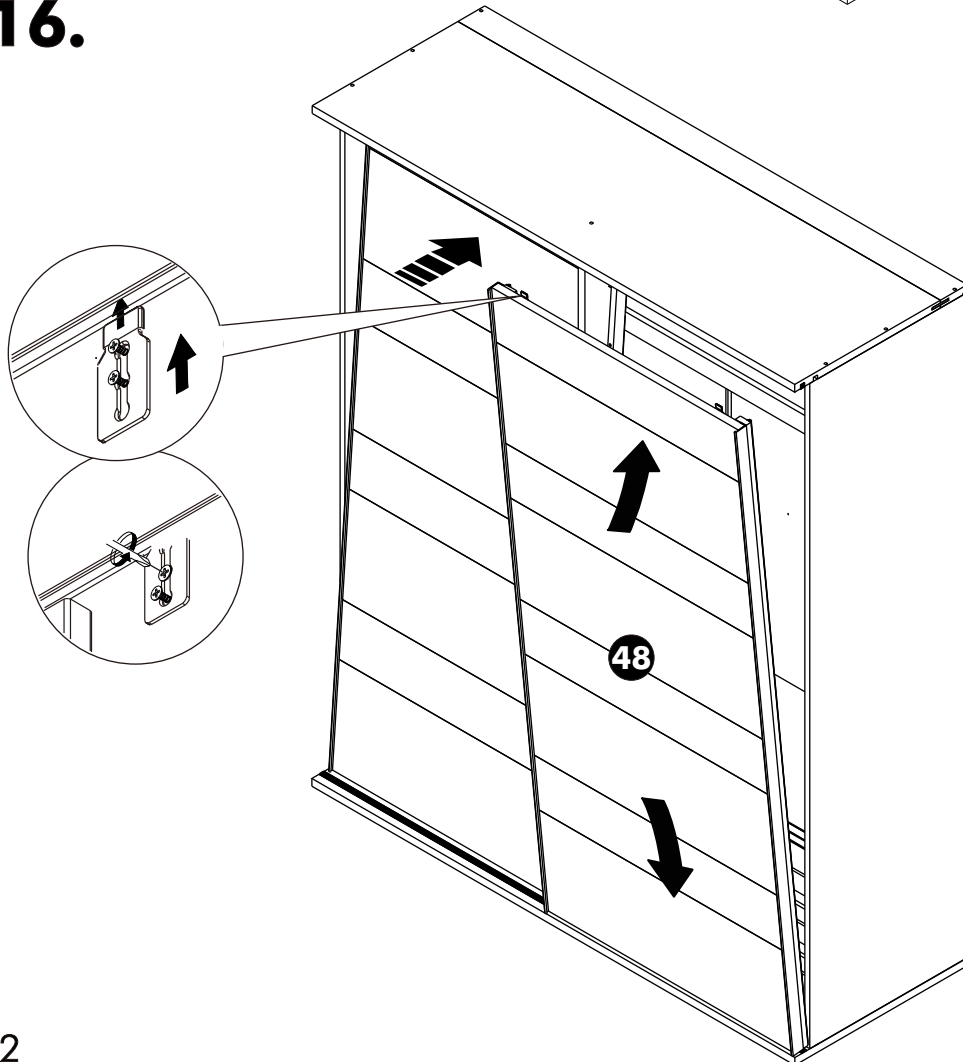
14.



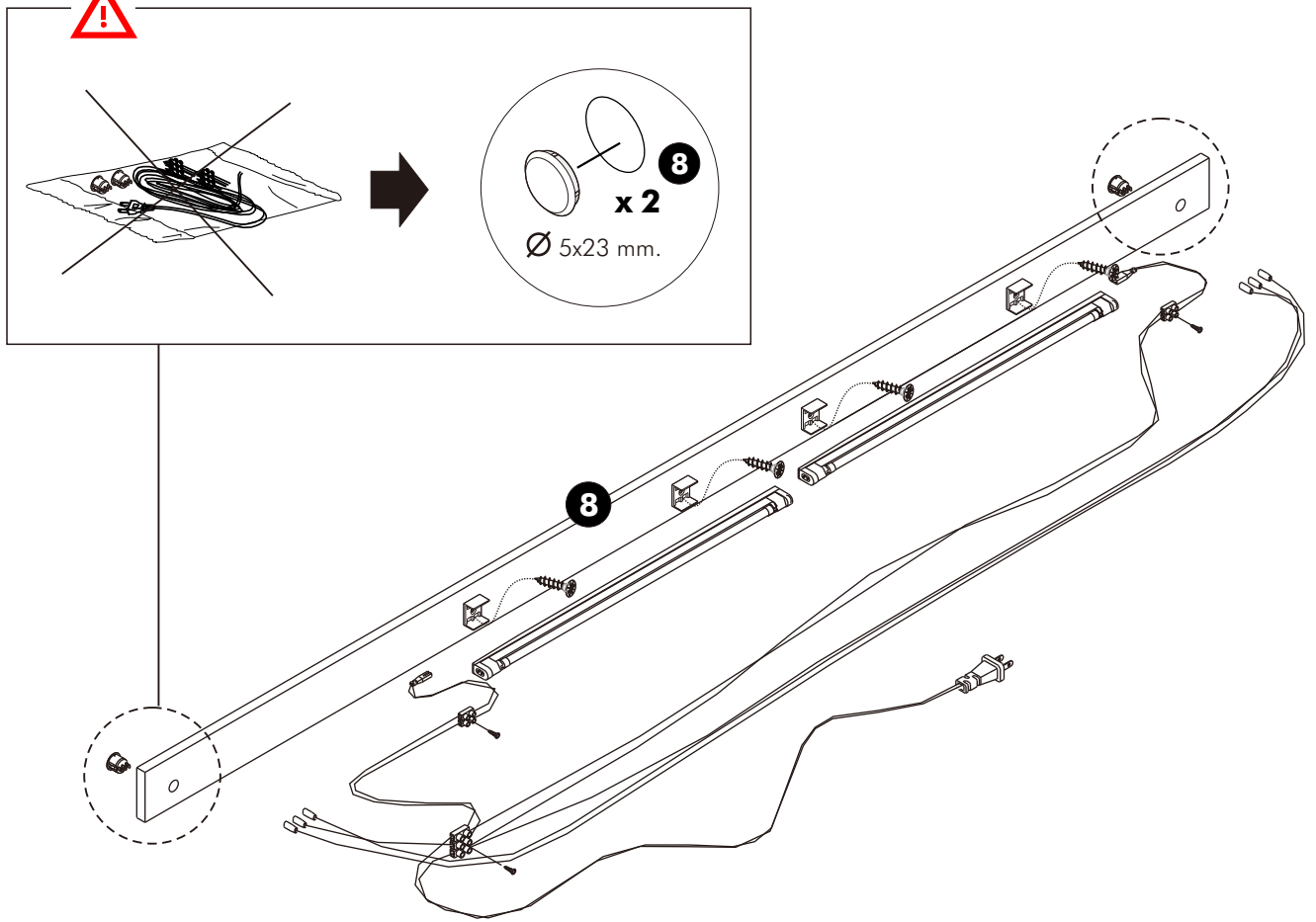
15.



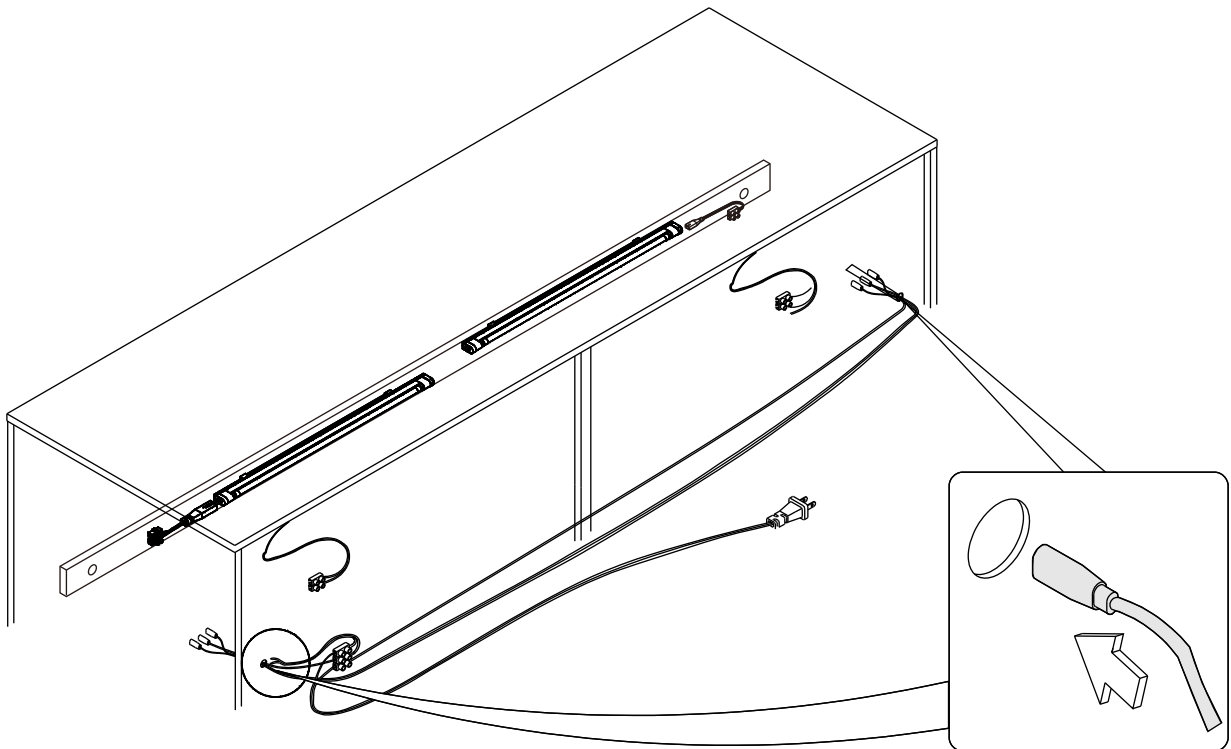
16.



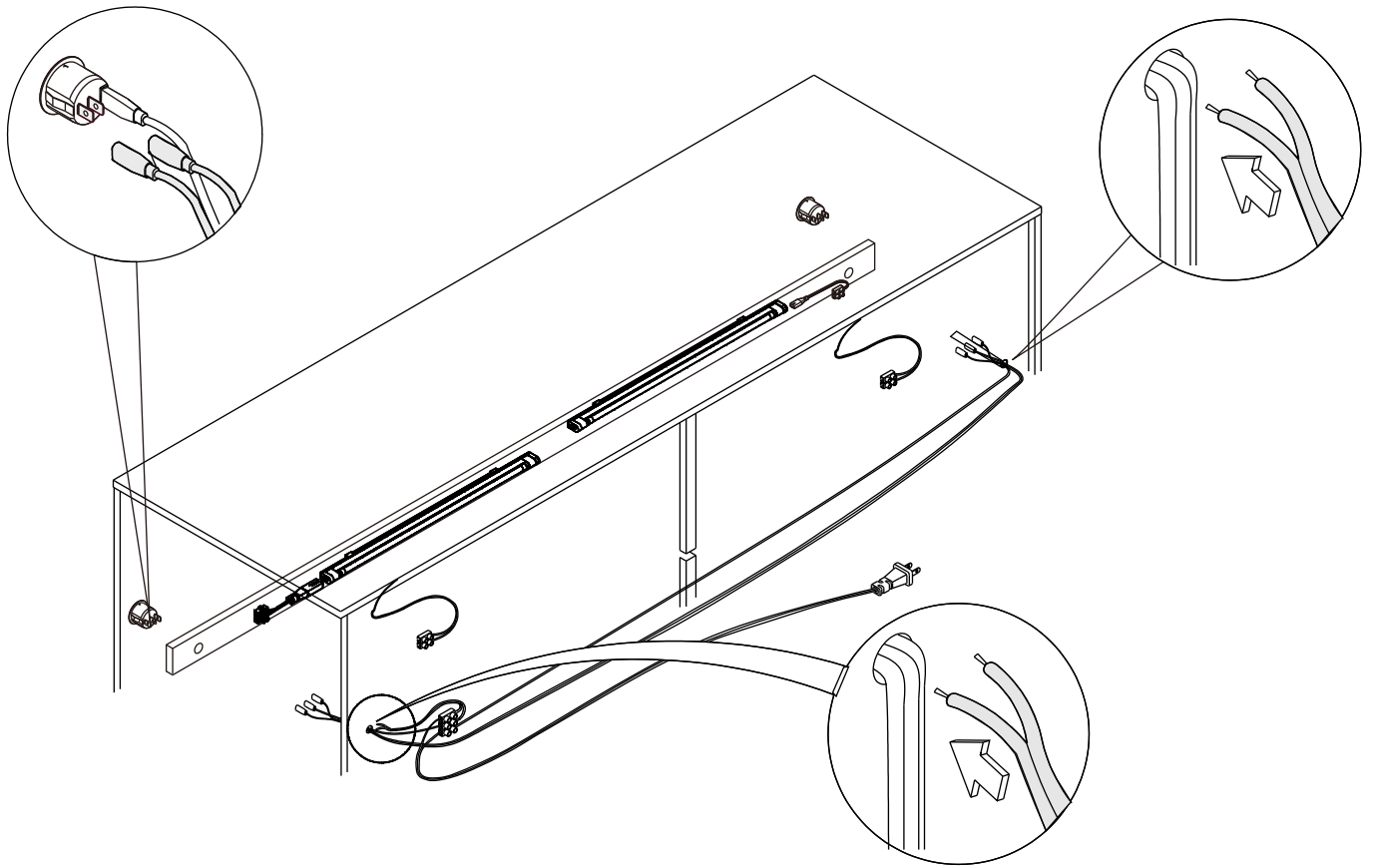
19.



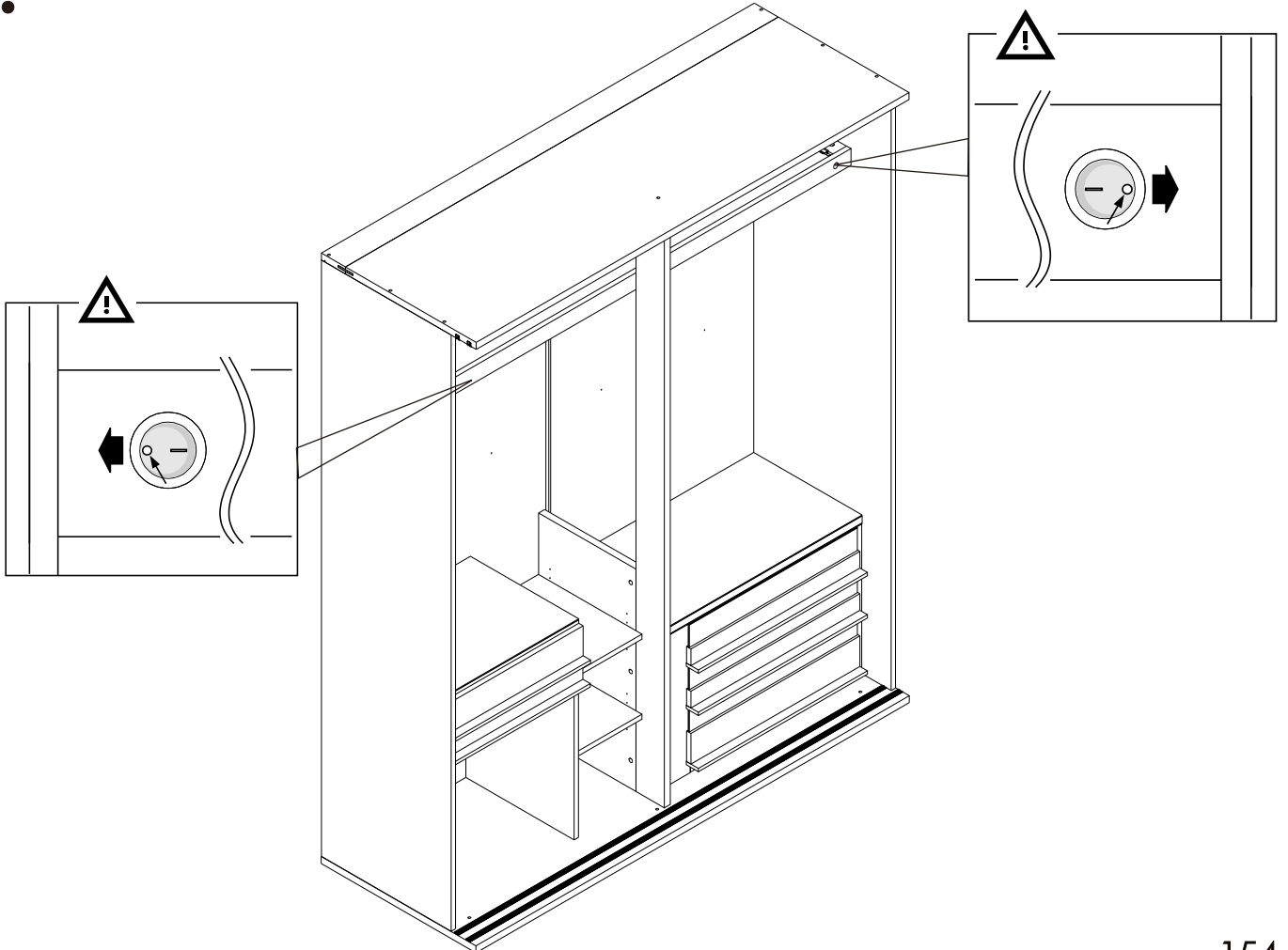
20.



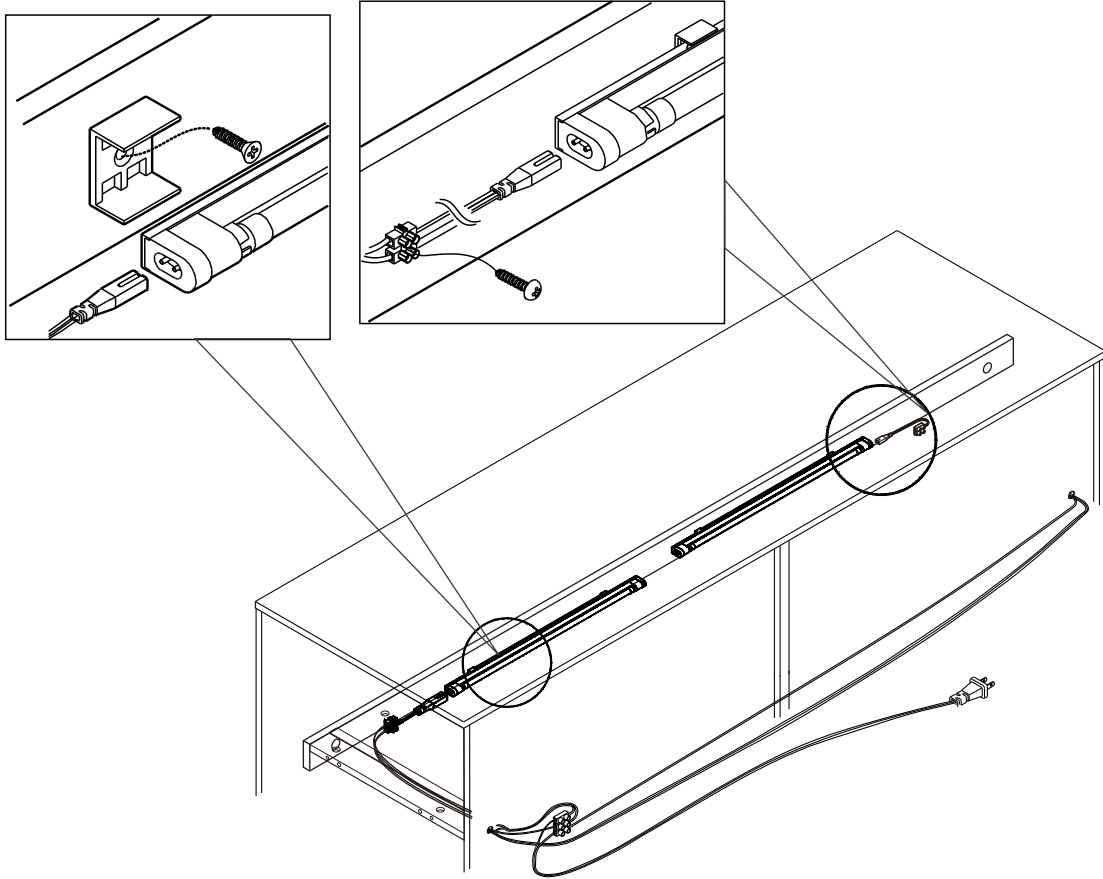
21.



22.



23.



24.

