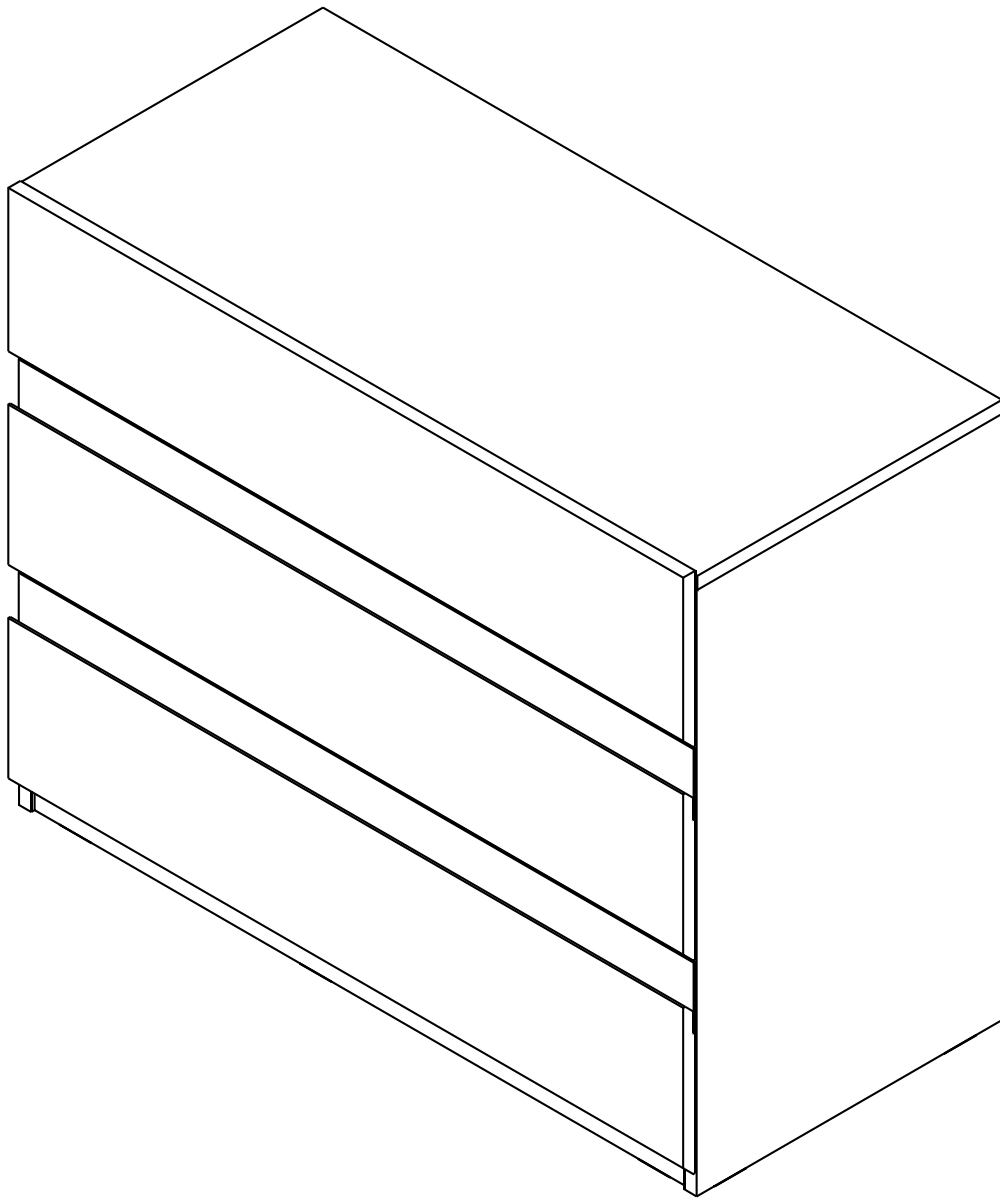
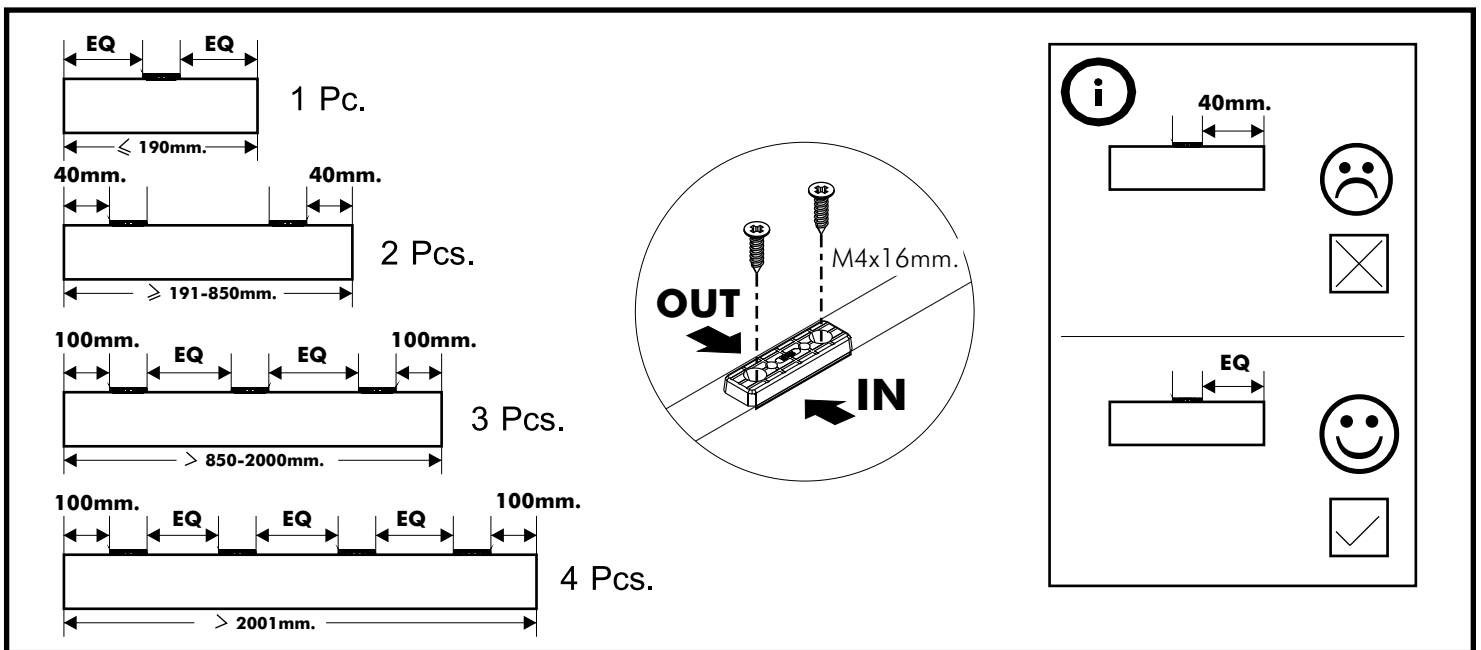


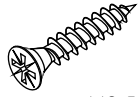
ILLUSION-P

3 Drawer 100 cm.

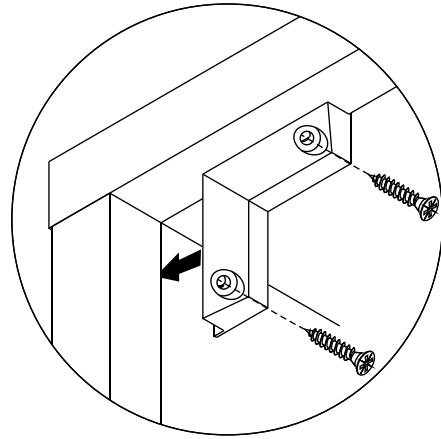
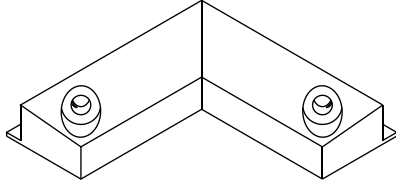


CONNECT SYSTEM

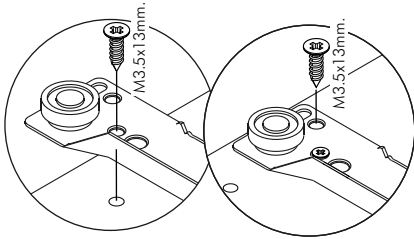




M3.5x20mm.

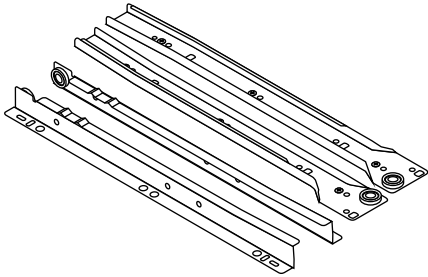


M3.5x13mm.



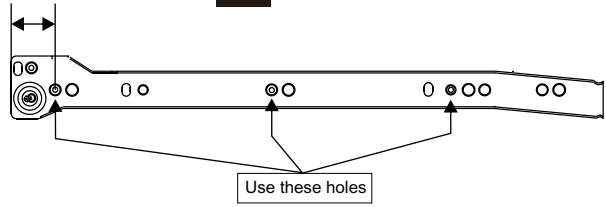
M3.5x13mm.

M3.5x13mm.

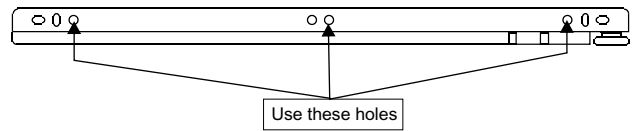


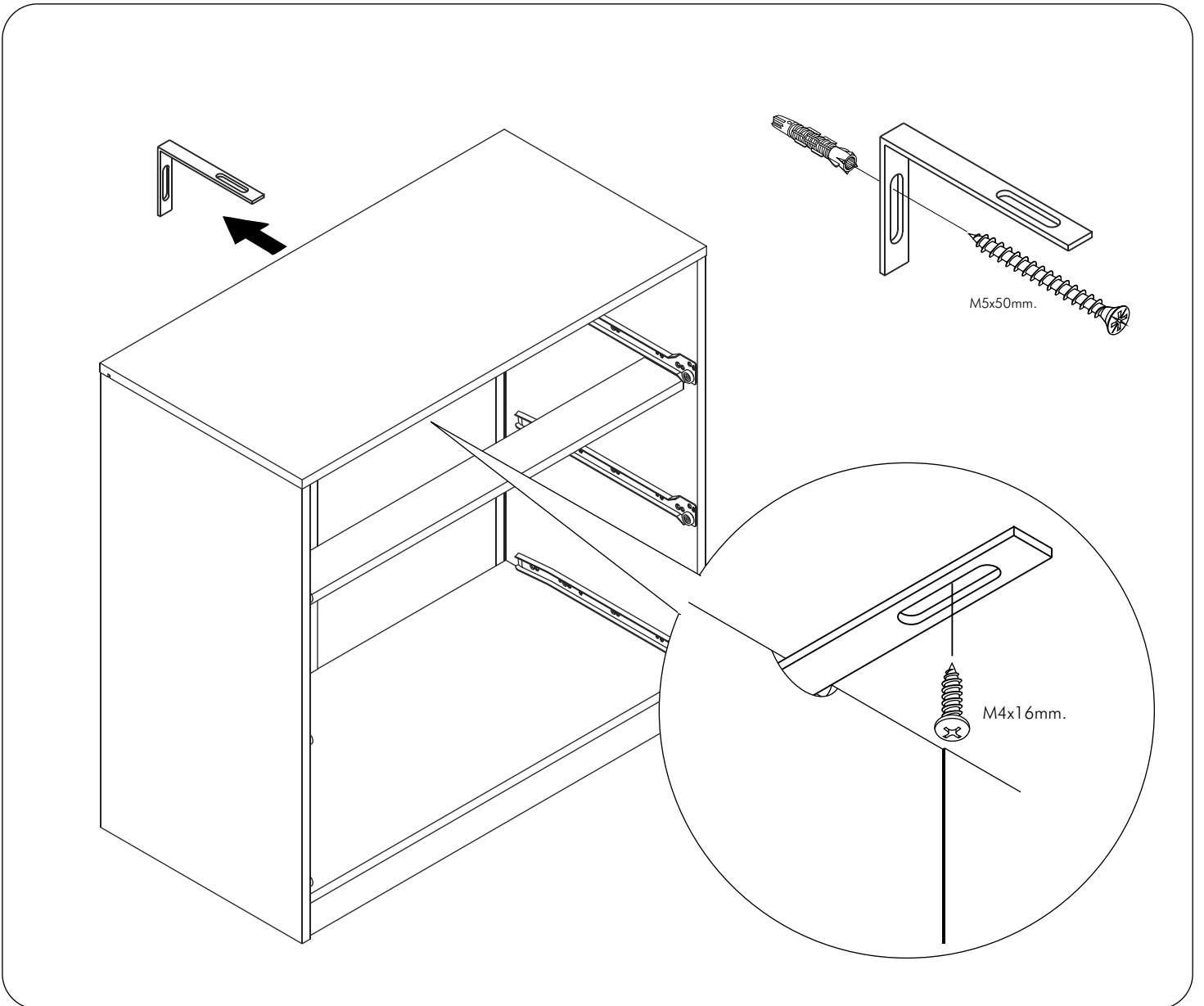
28mm.

1



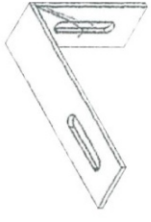
2



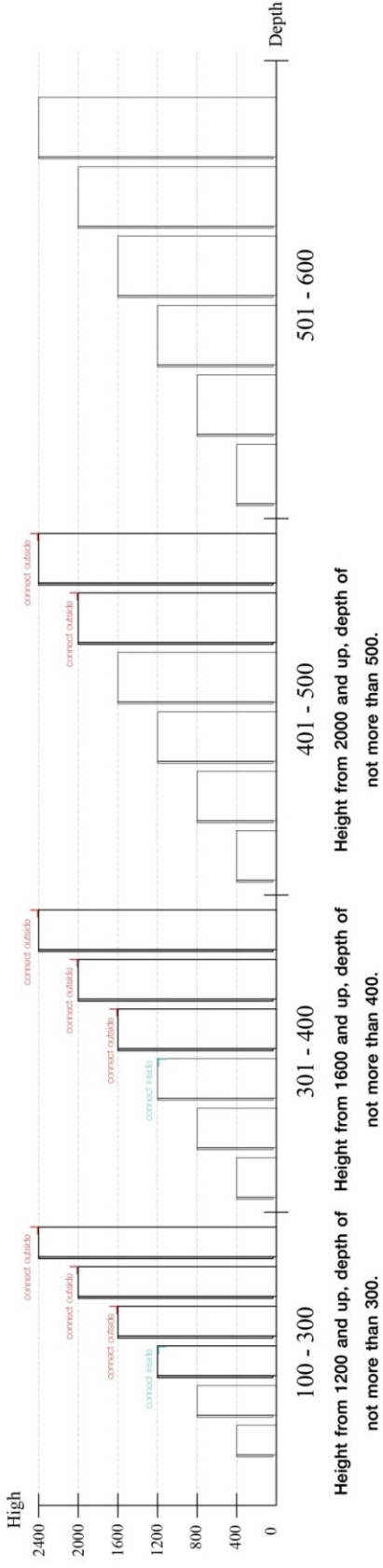


The Standard for identifying which mounted safety fall protection fitting to use **Note : That children's products must be installed with all anti-falling fittings.**

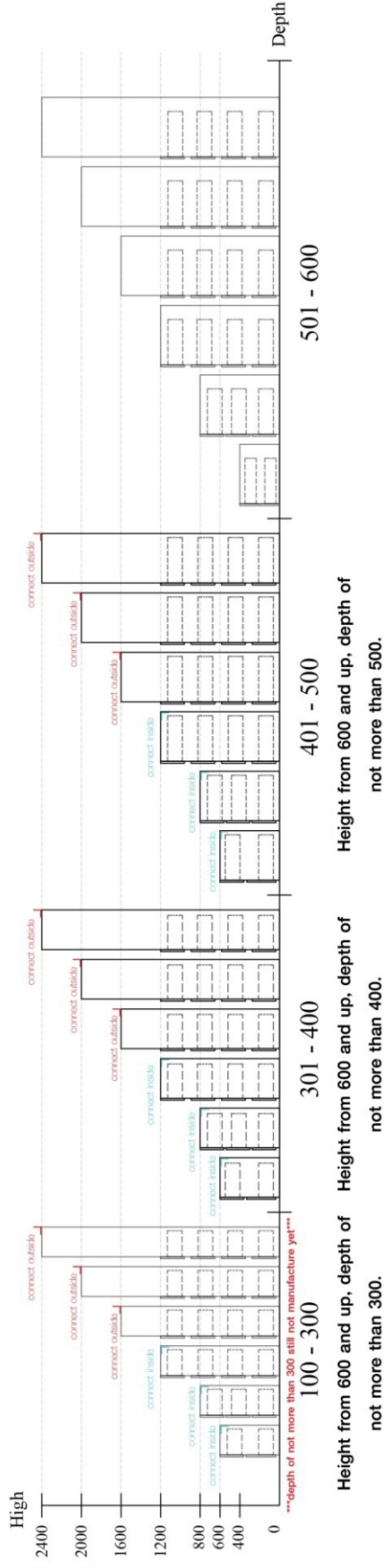
■ Mounted fall protection fittings



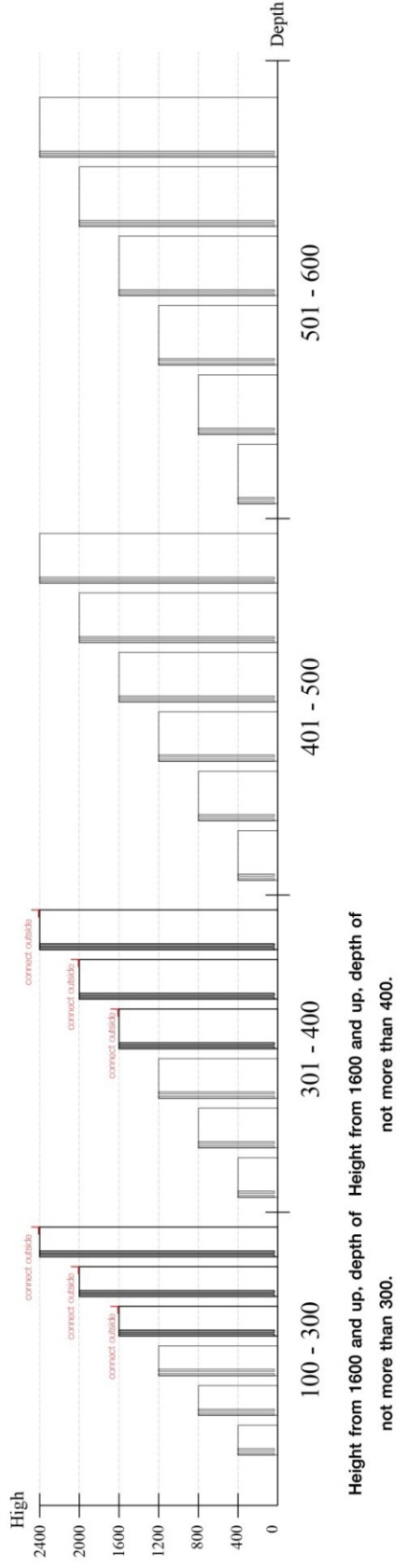
■ Category : Cabinet with open doors



■ Category : Chest of drawers

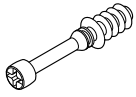


■ Category : Sliding door cabinet / Open cabinet



HARDWARE

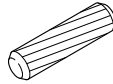
-BODY SET



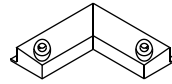
x 12



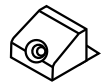
x 12



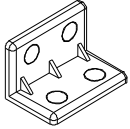
x 16



x 2



x 4



x 10



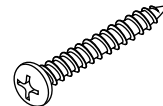
M3.5x20mm.

x 8



M4x16mm.

x 12



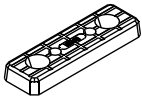
M4x30mm.

x 5

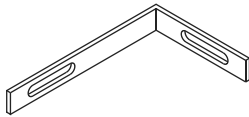


M4x16mm.

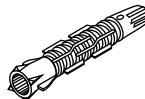
x 60



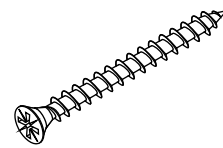
x 10



x 1



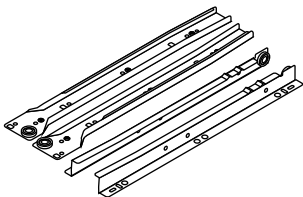
x 1



M5x50mm.

x 1

-DRAWER SET

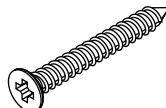


x 3



M3.5x13mm.

x 42



M4x40mm.

x 36



TFL4 M6x23

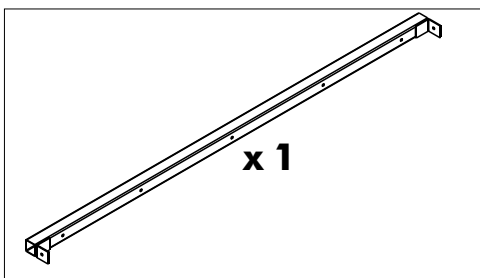
x 18



x 1



x 1

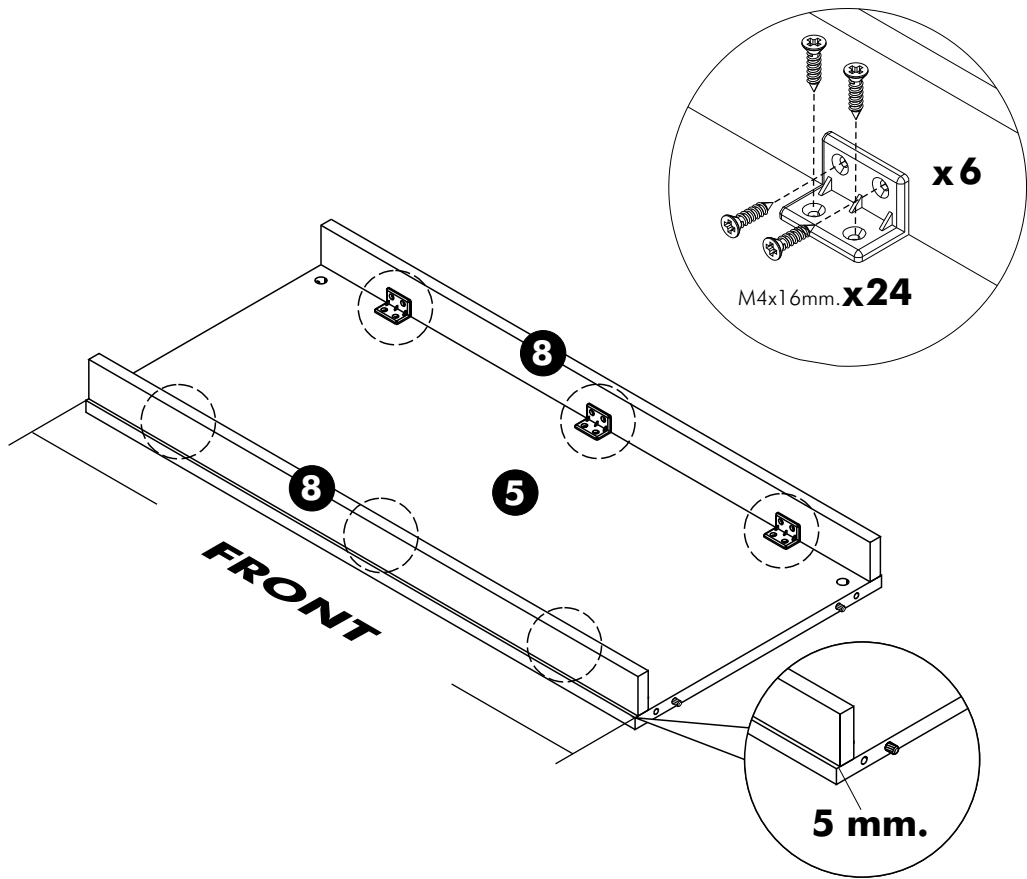


x 1

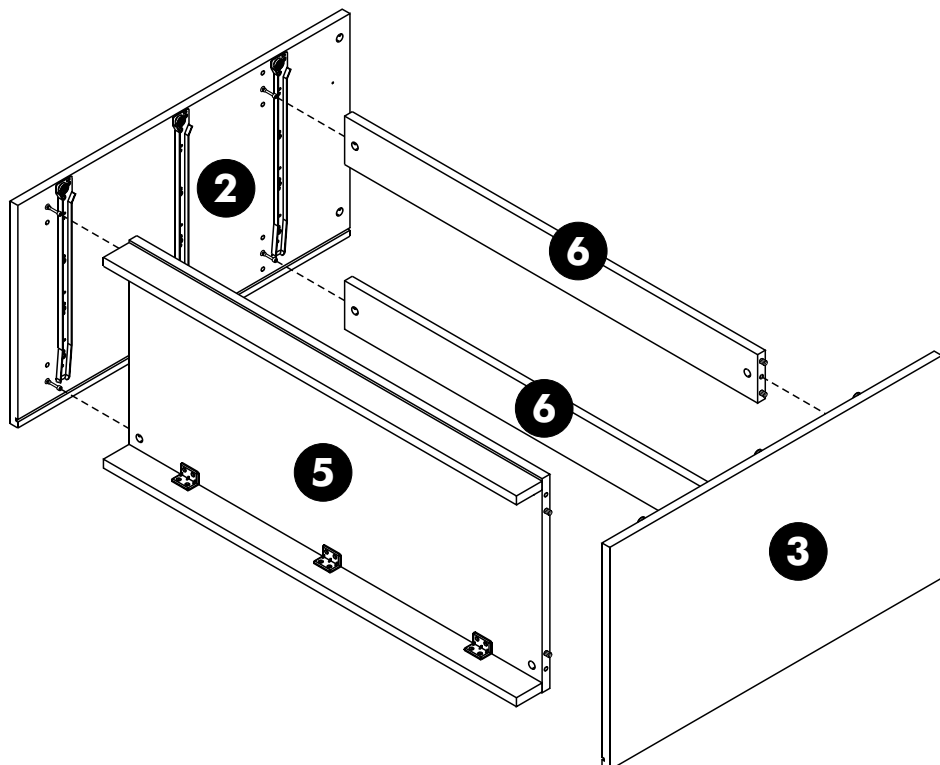
ASSEMBLY

-BODY SET

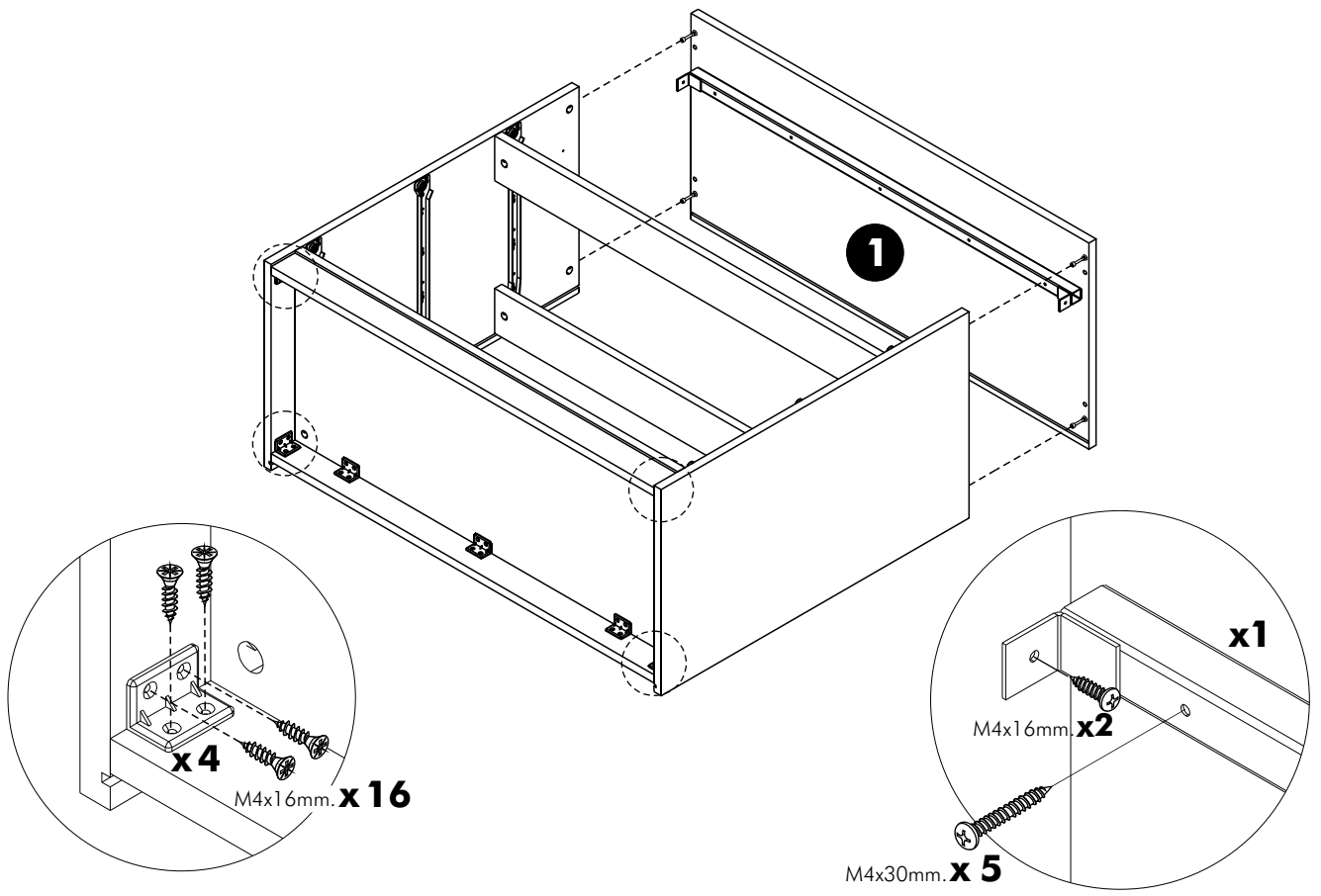
1.



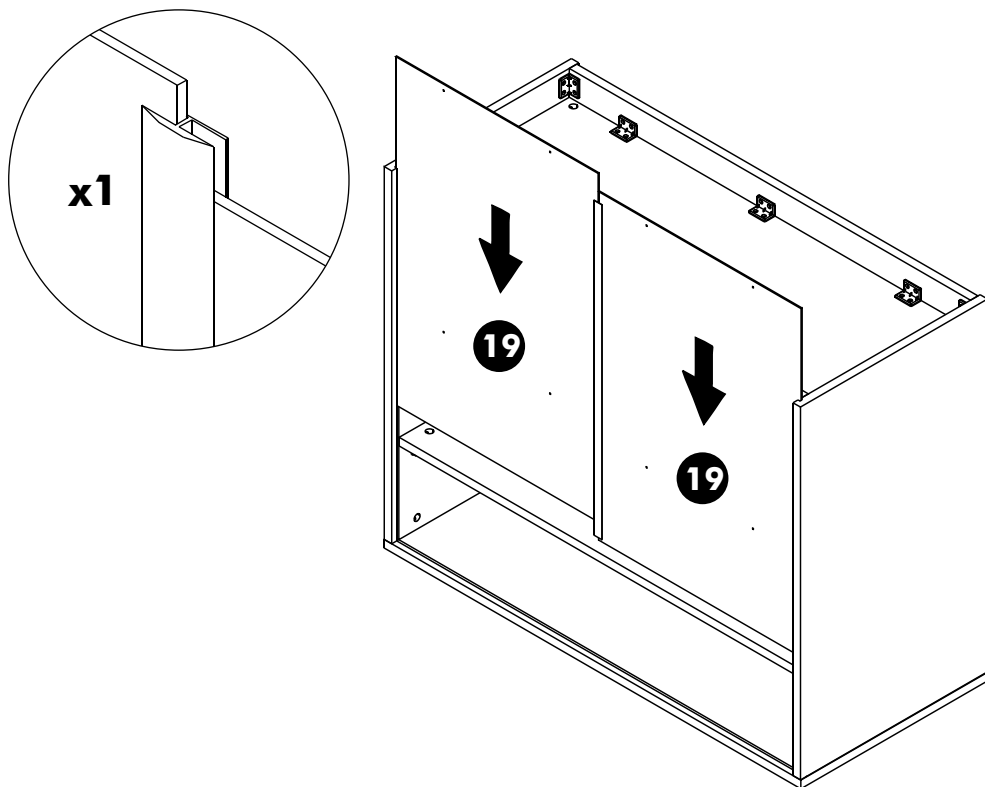
2.



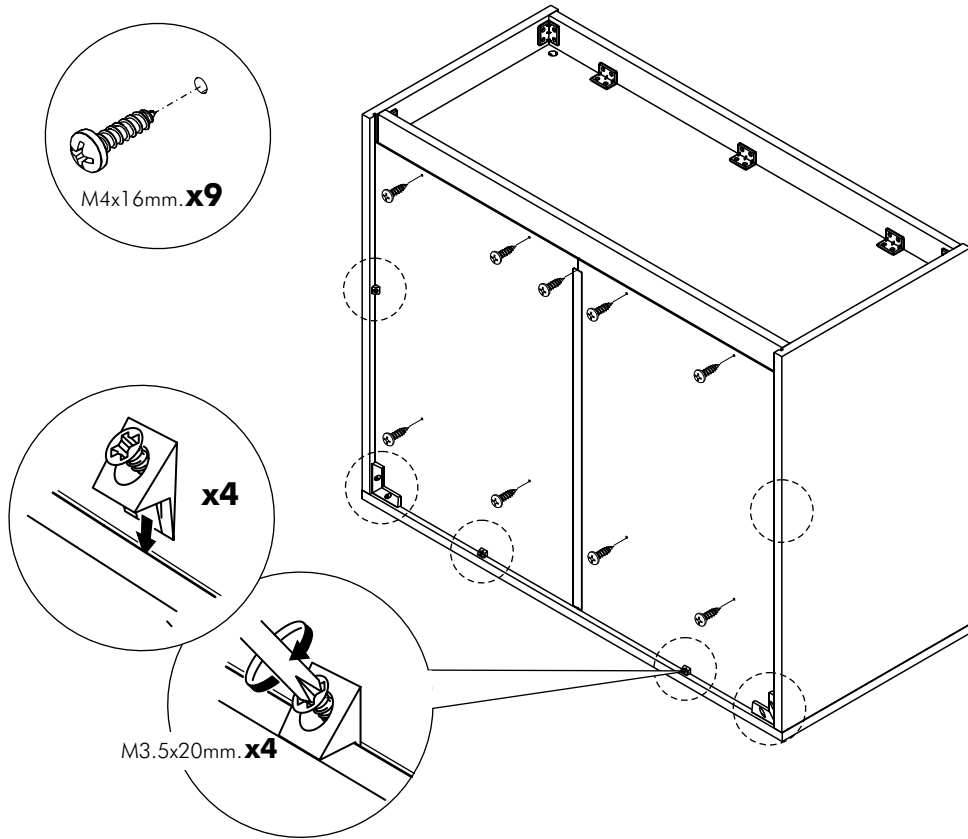
3.



4.



5.



ASSEMBLY

-DRAWER SET

