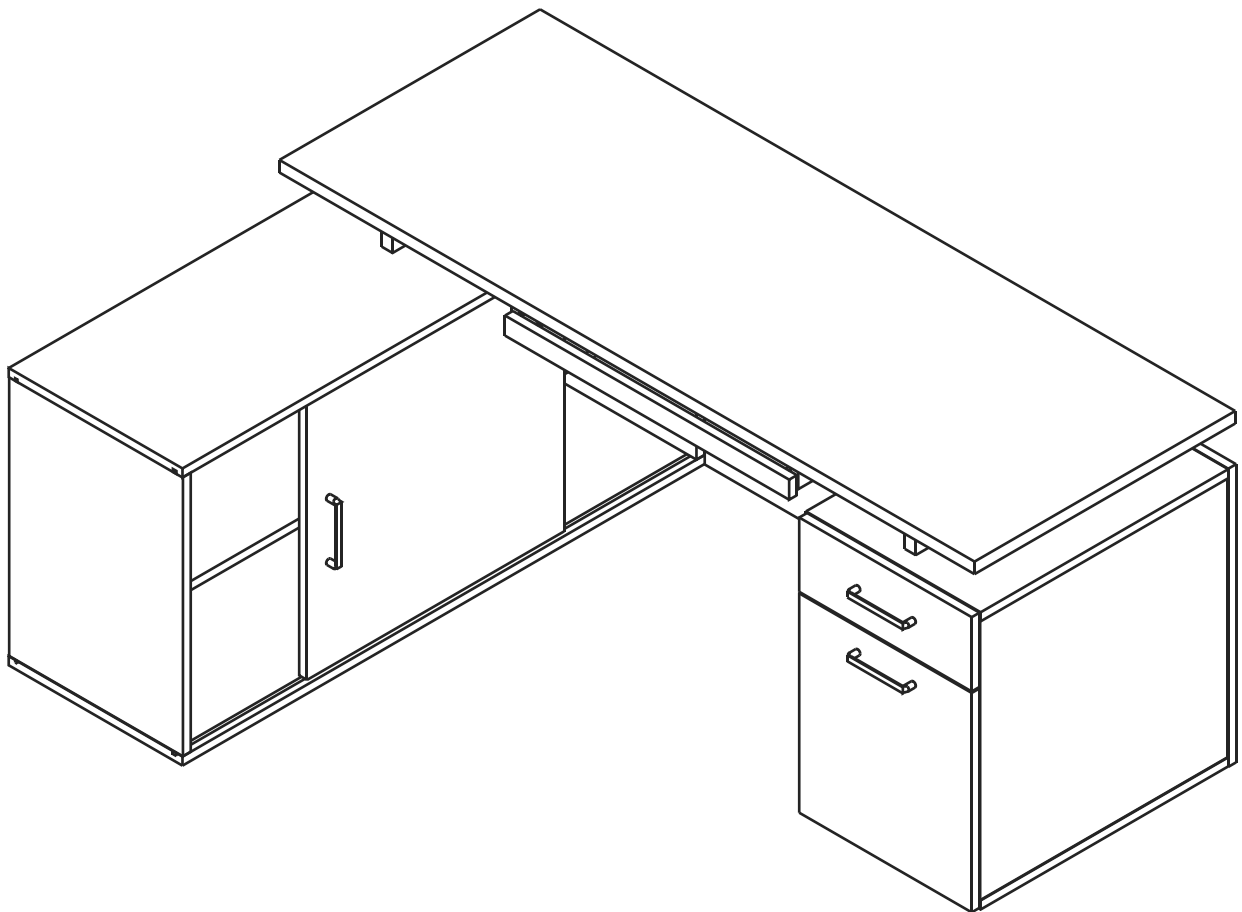
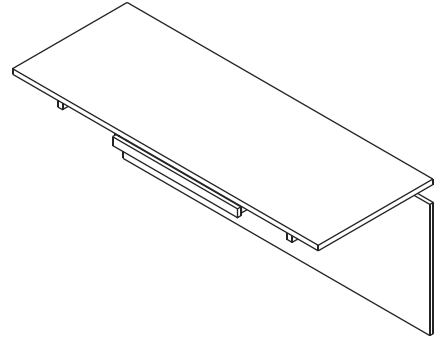
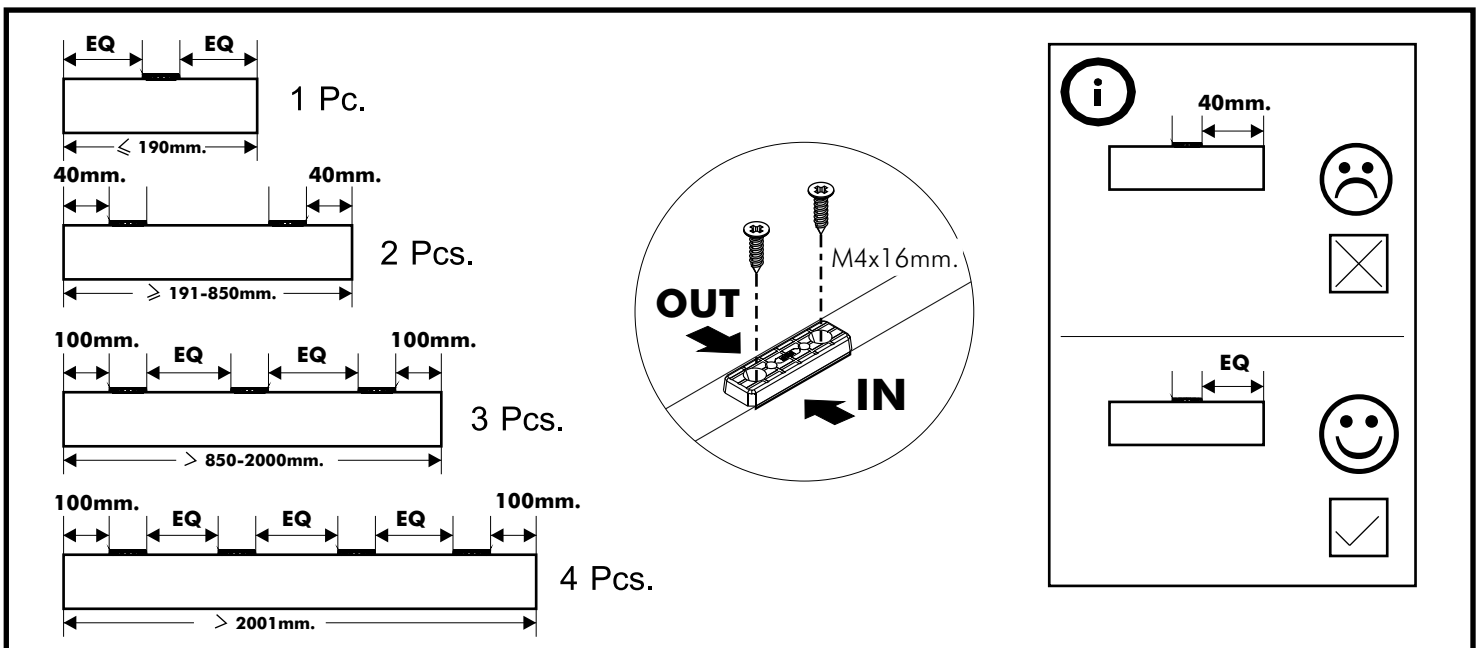
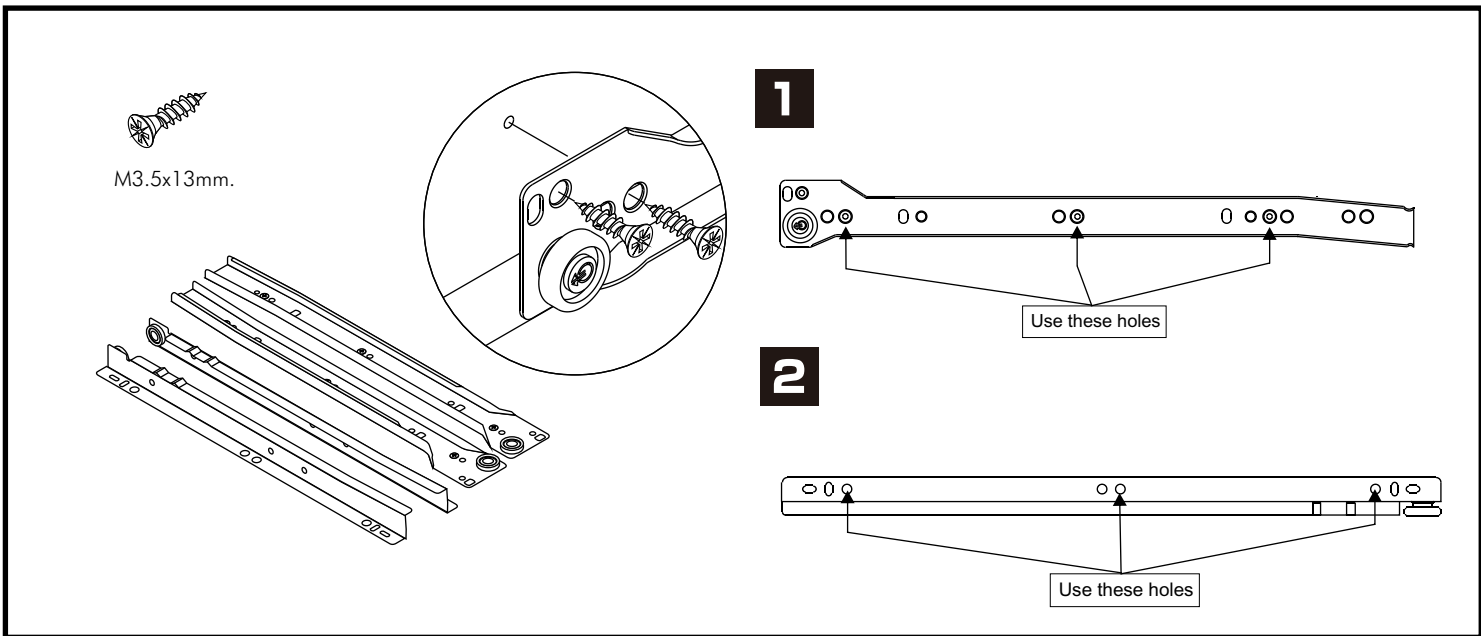
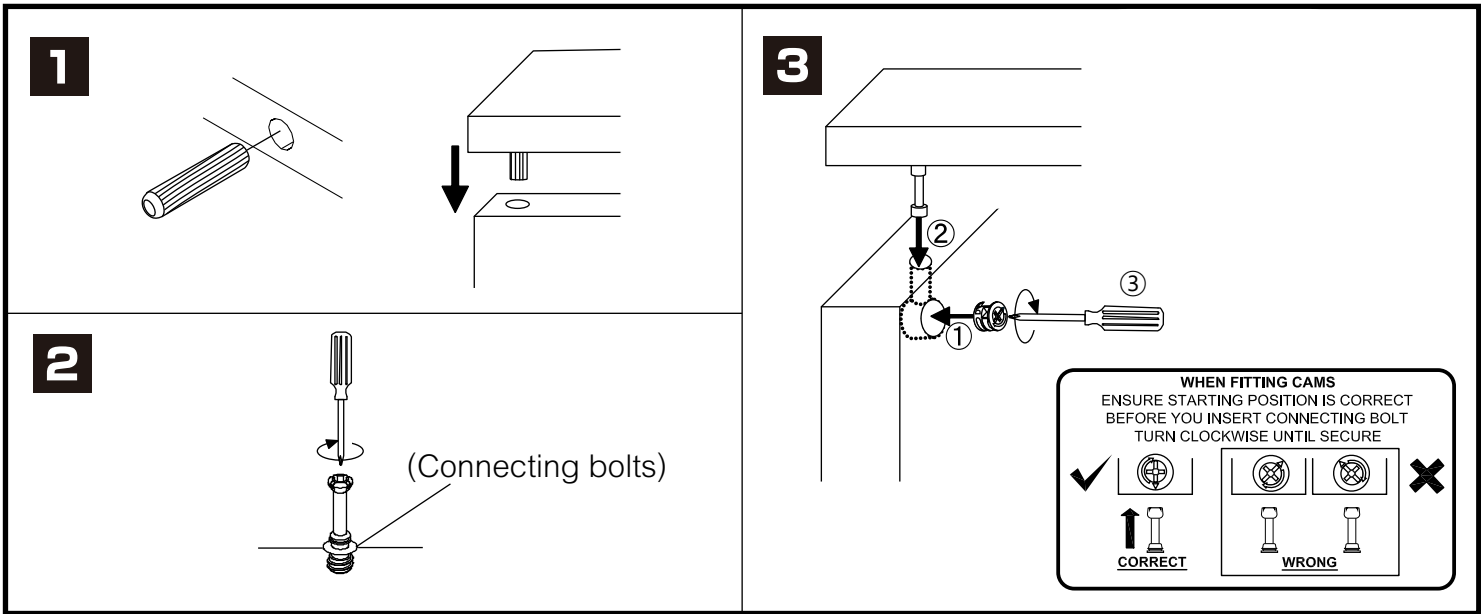


PRESENCE-P

Work Station-1/3

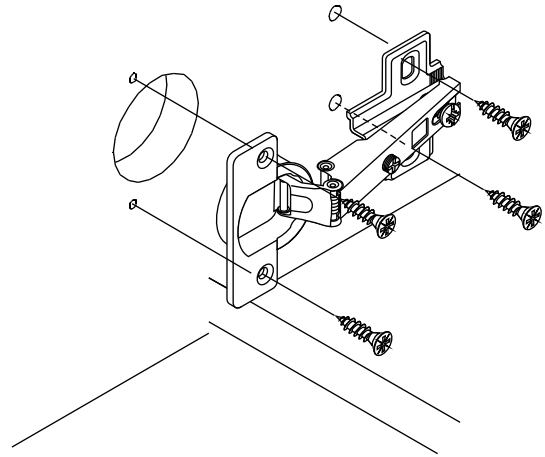
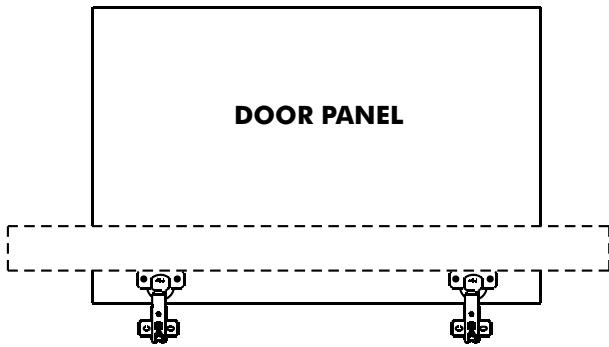


CONNECT SYSTEM

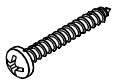
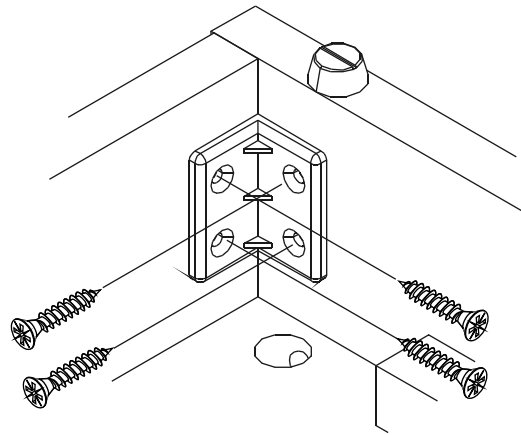
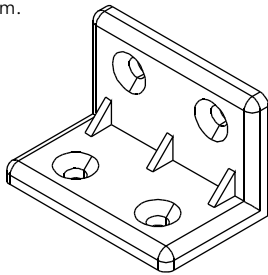




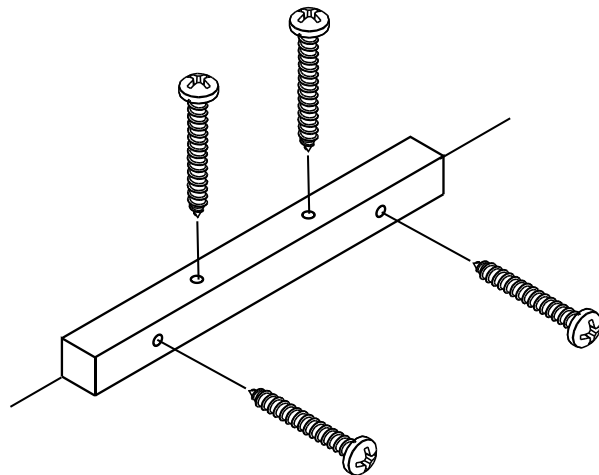
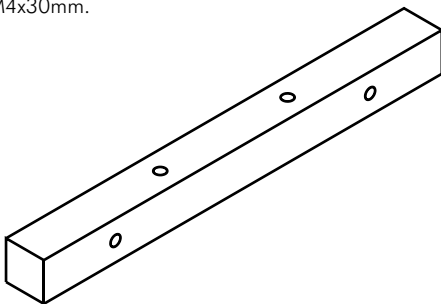
M4x16mm.



M4x16mm.

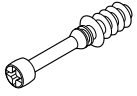


M4x30mm.



HARDWARE

-BODY SET

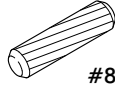


x 8



19mm.

x 8

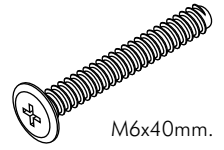


#8x35

x 21

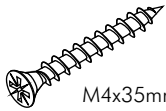


x 2



M6x40mm.

x 4



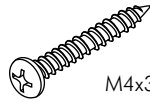
M4x35mm.

x 6



M4x16mm.

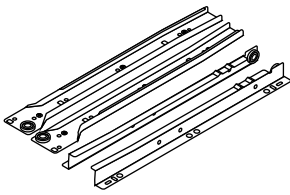
x 4



M4x30mm.

x 8

-DRAWER SET

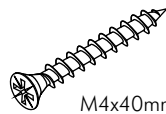


x 1



M3.5x13mm.

x 14



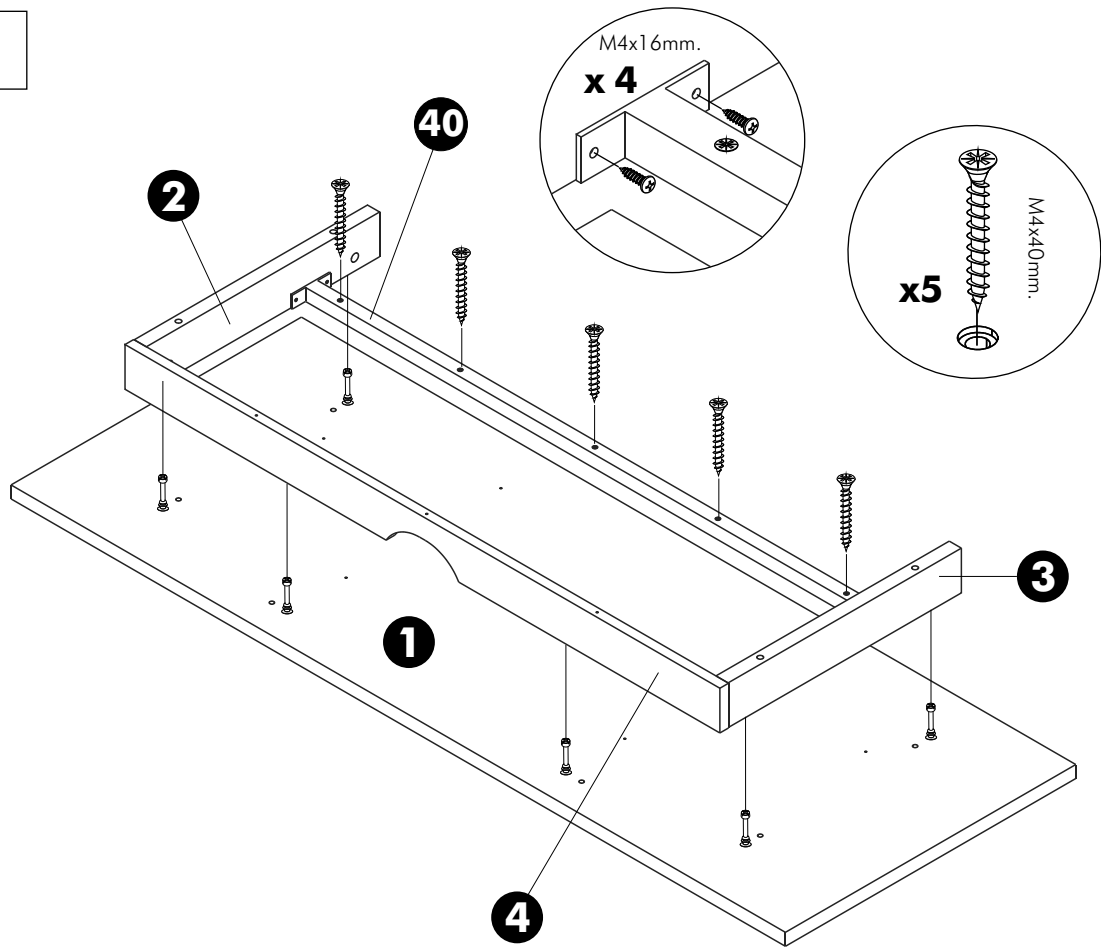
M4x40mm.

x 14

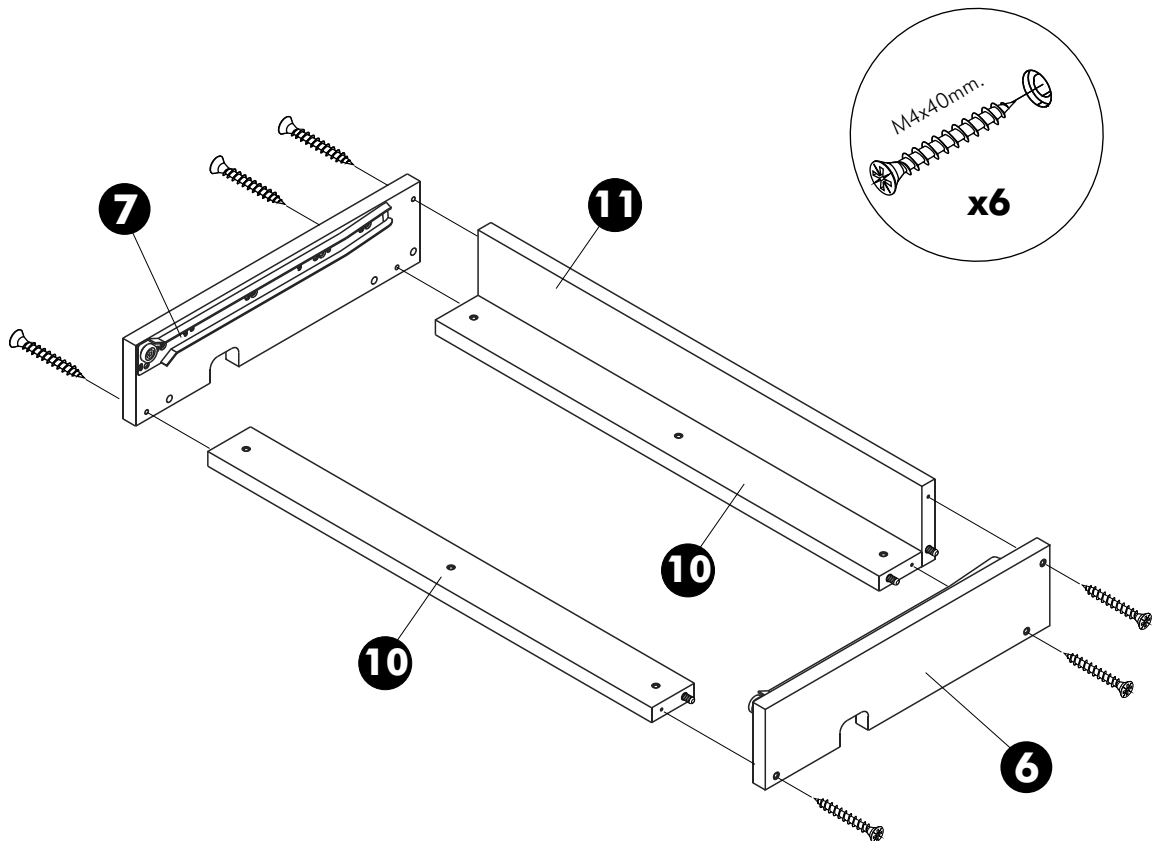
ASSEMBLY

-BODY SET

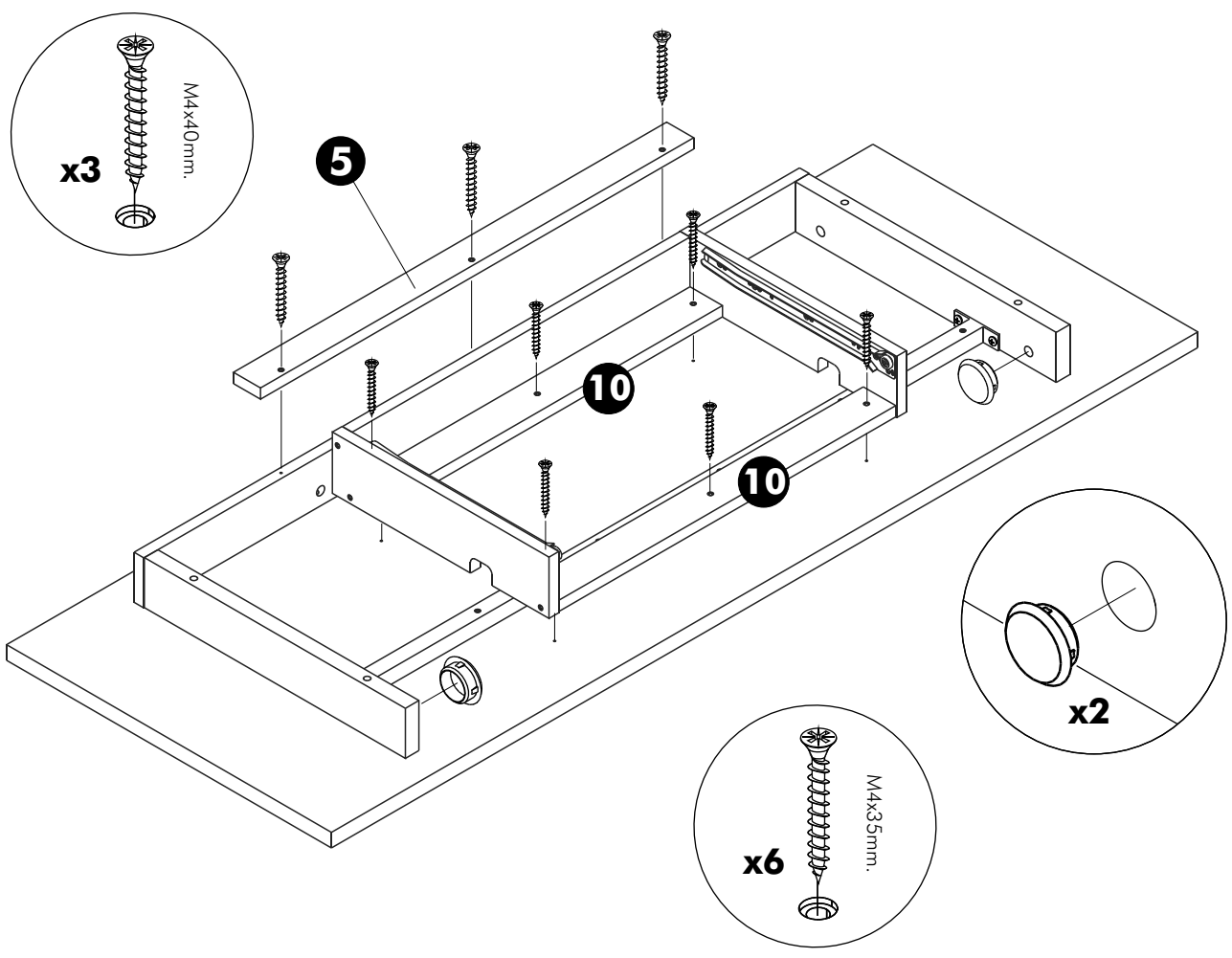
1.



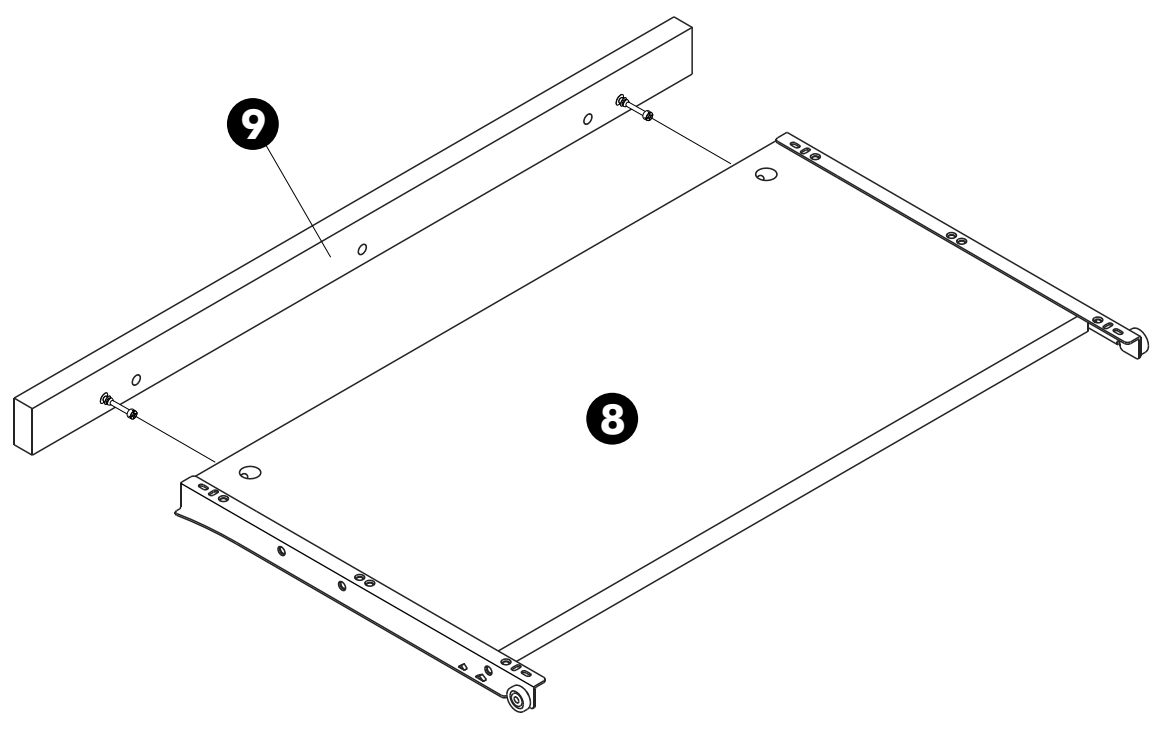
2.



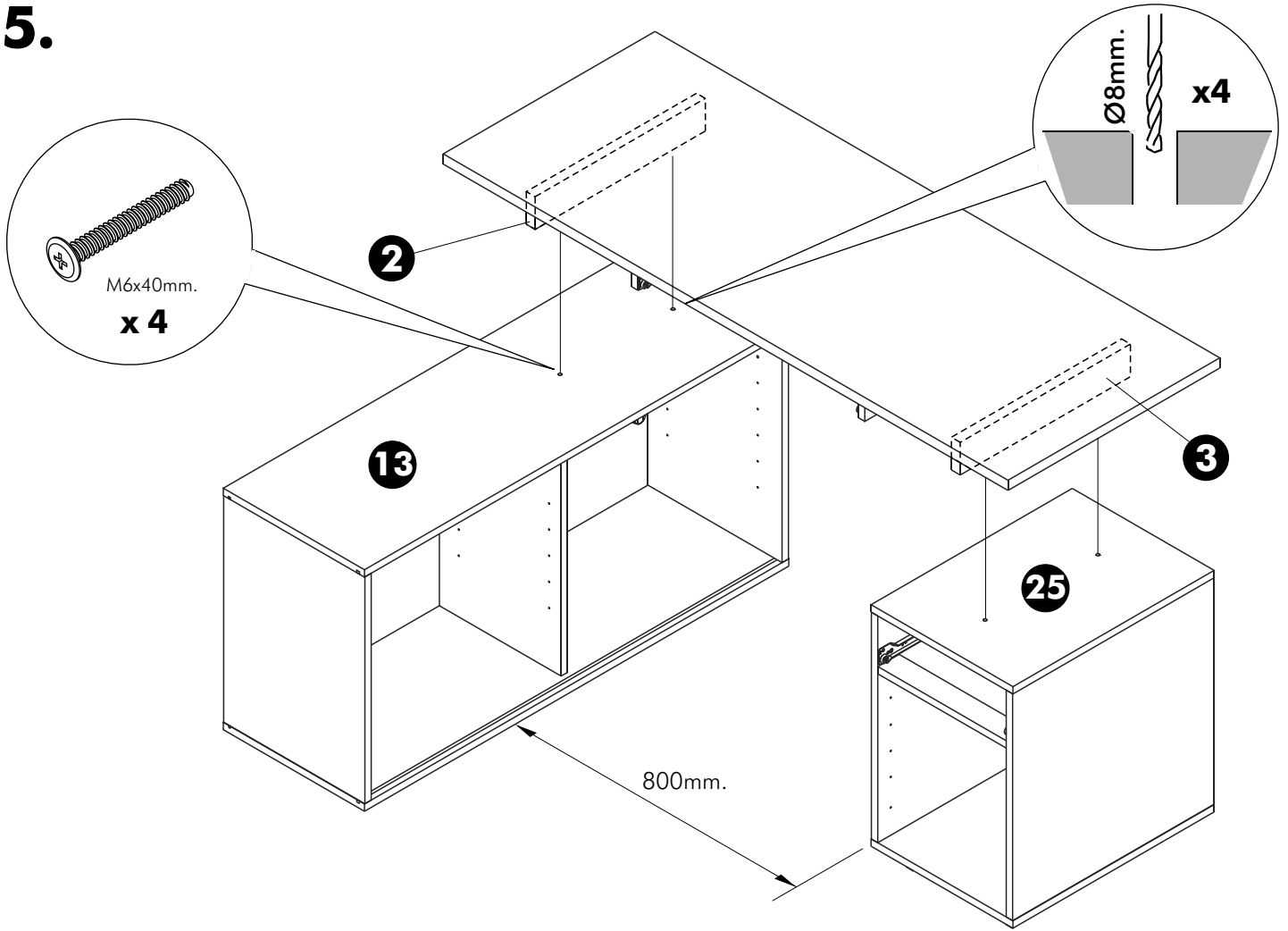
3.



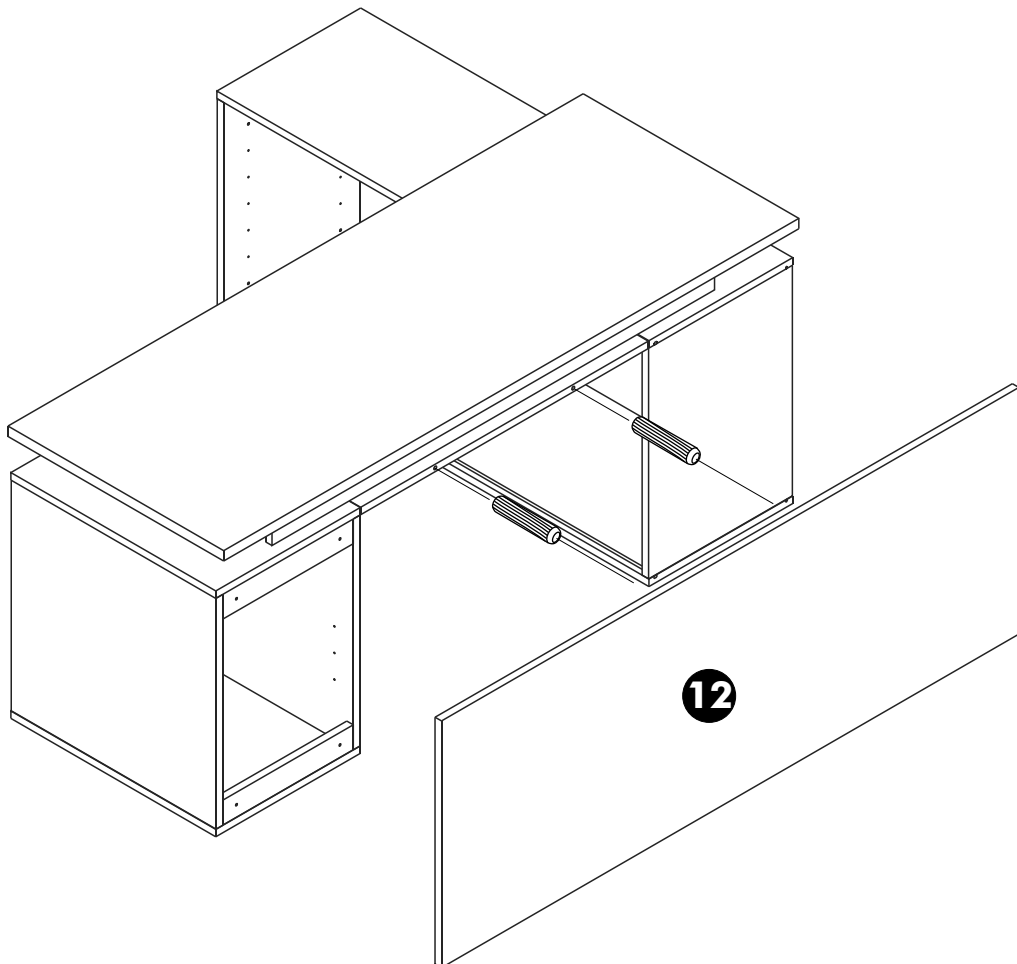
4.



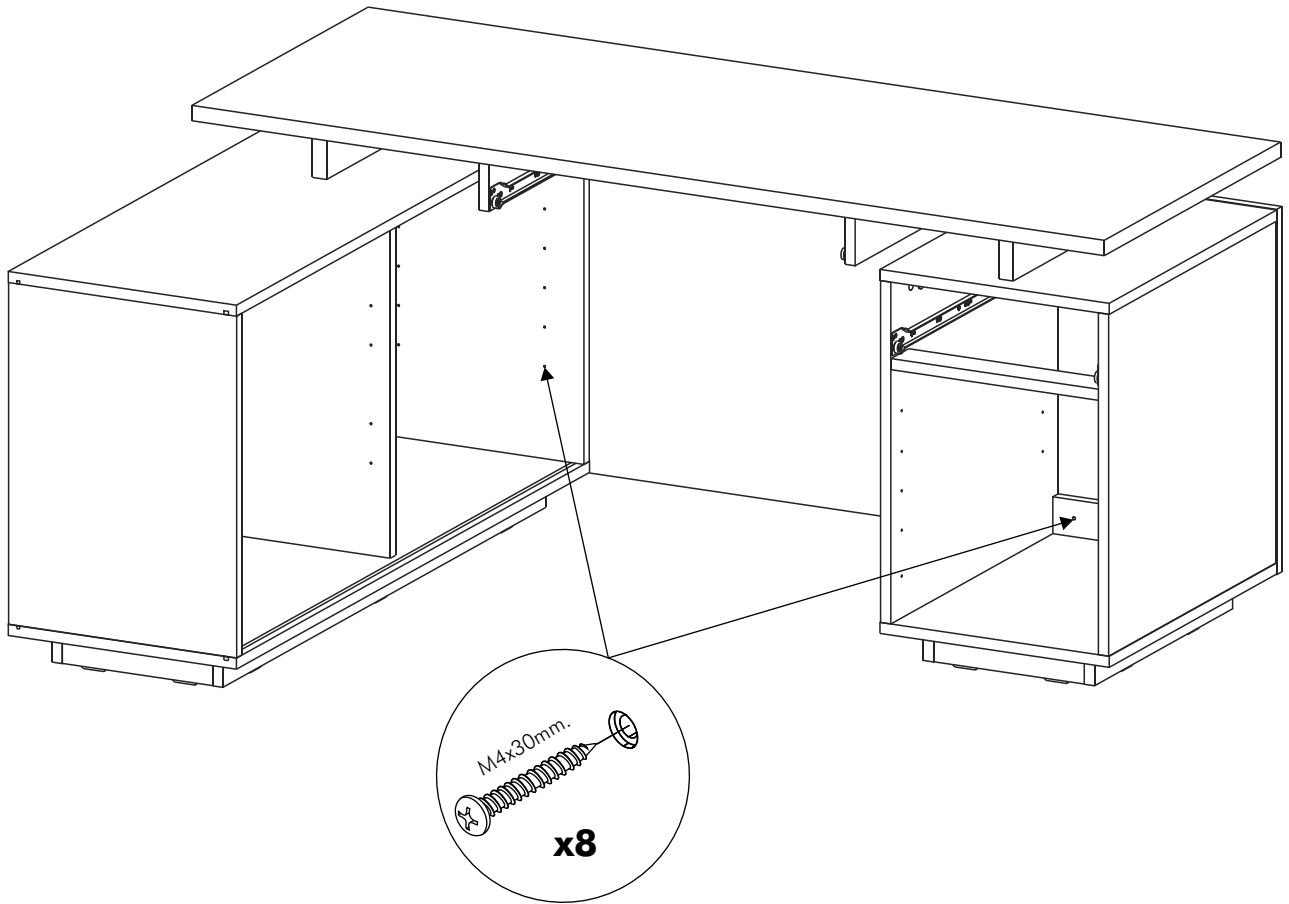
5.



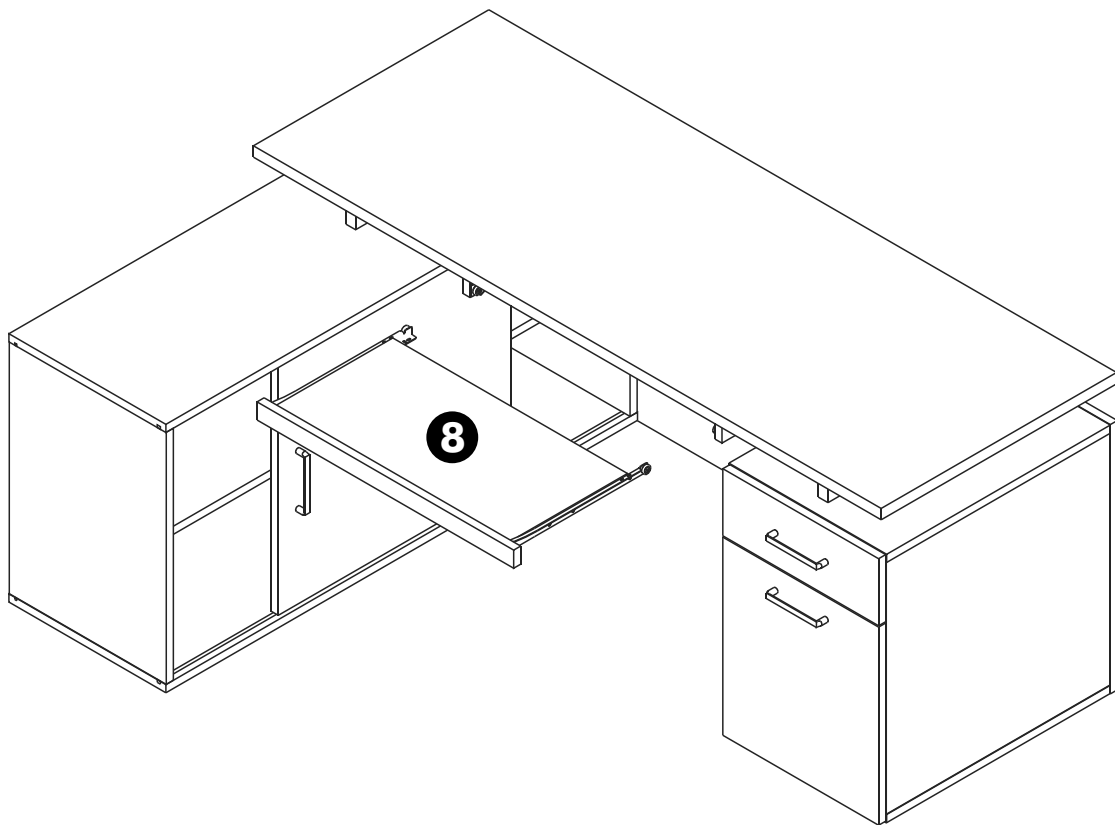
6.



7.

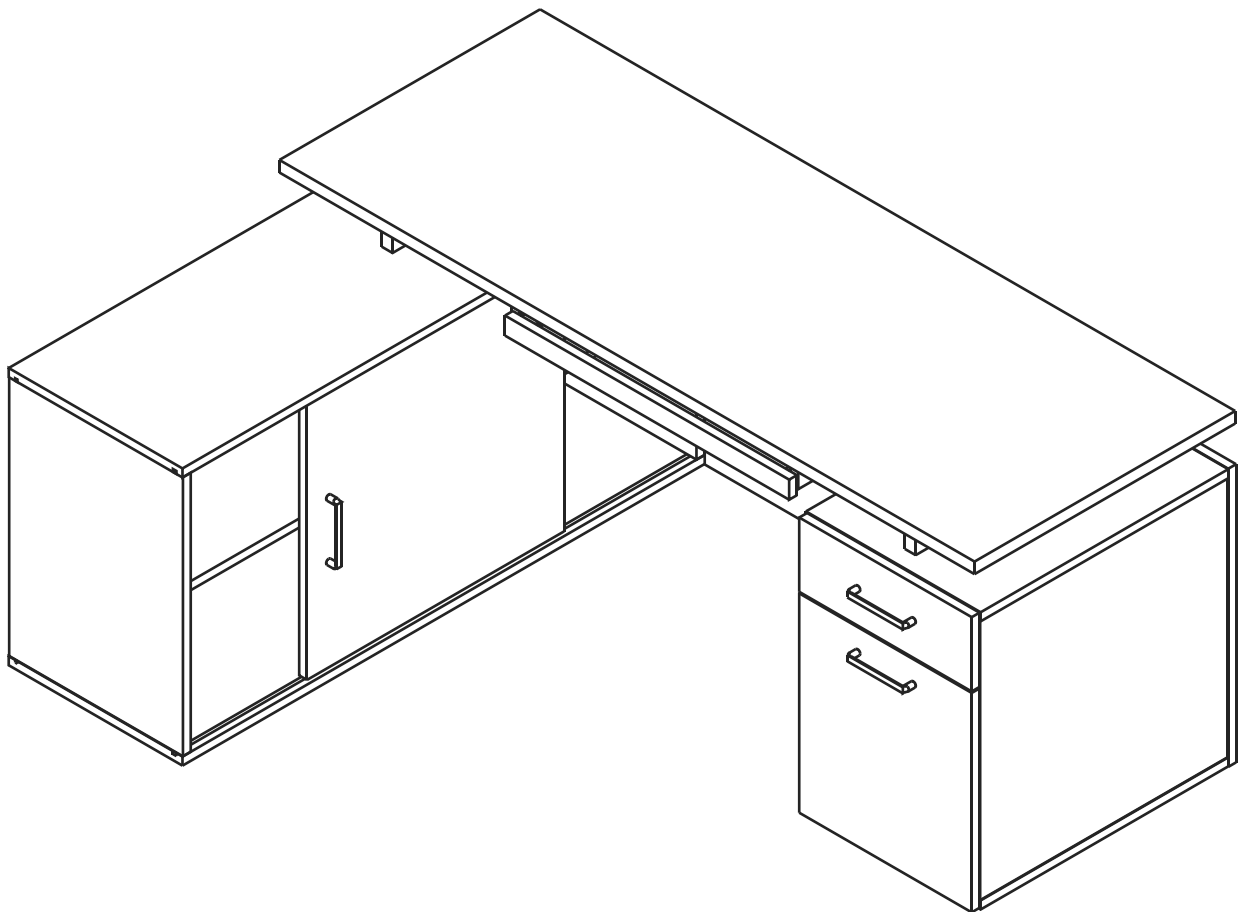
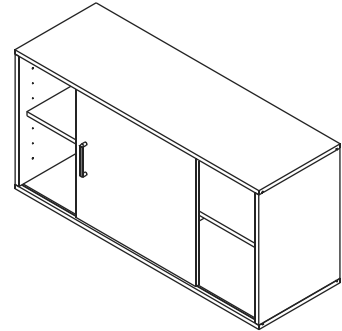


8.



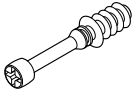
PRESENCE-P

Work Station-2/3



HARDWARE

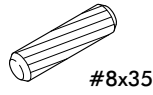
-BODY SET



x 6



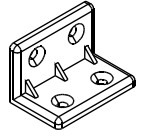
x 6



x 12



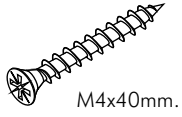
x 8



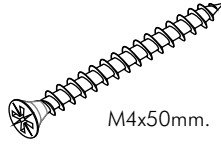
x 10



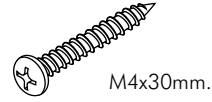
x 64



x 4



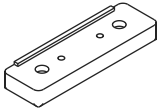
x 6



x 28

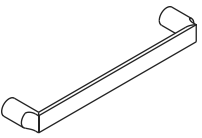


x 2

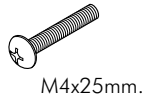


x 12

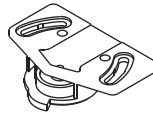
-DOOR SET



x 1



x 2



x 2



x 2



x 4

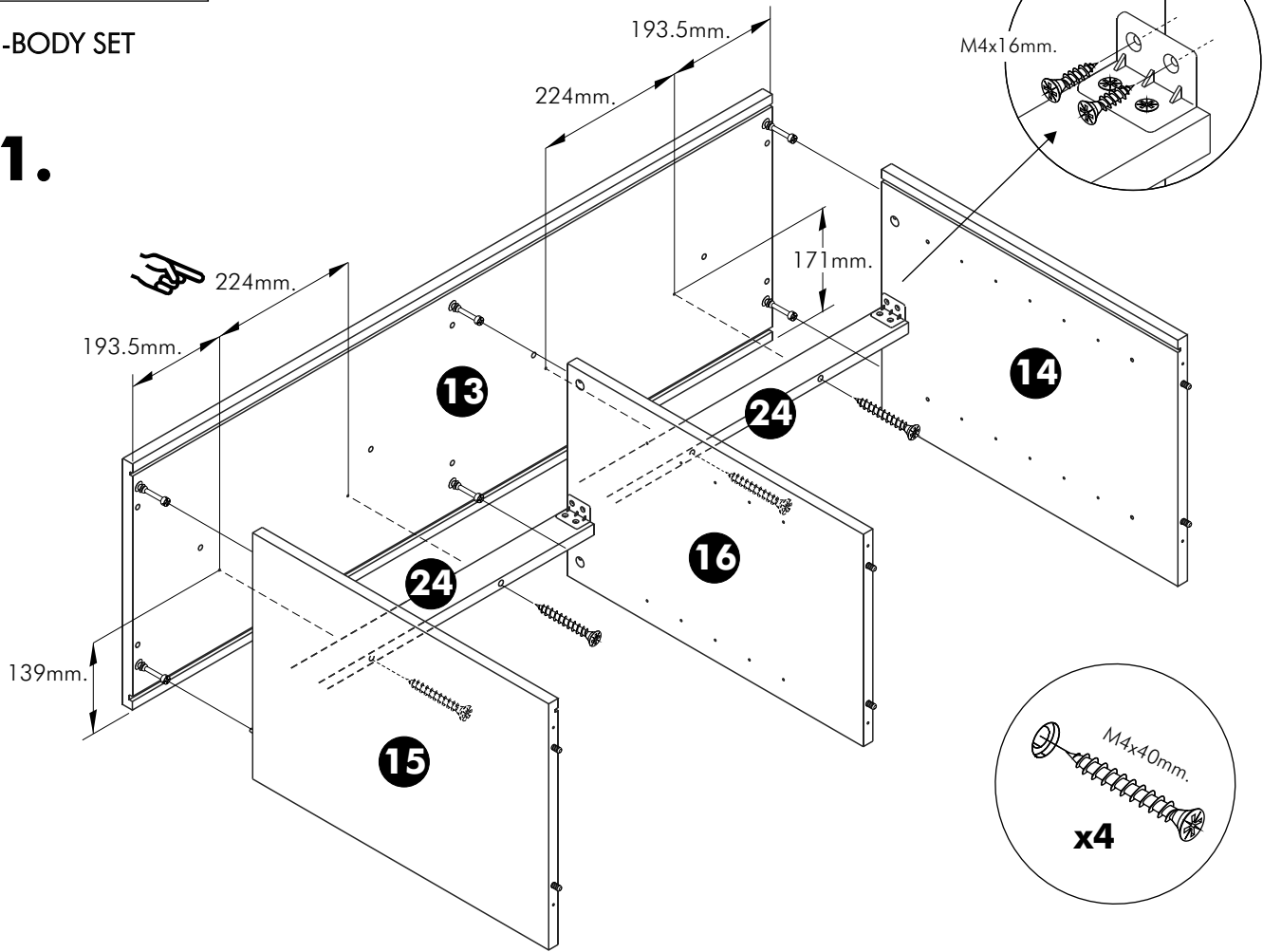


x 4

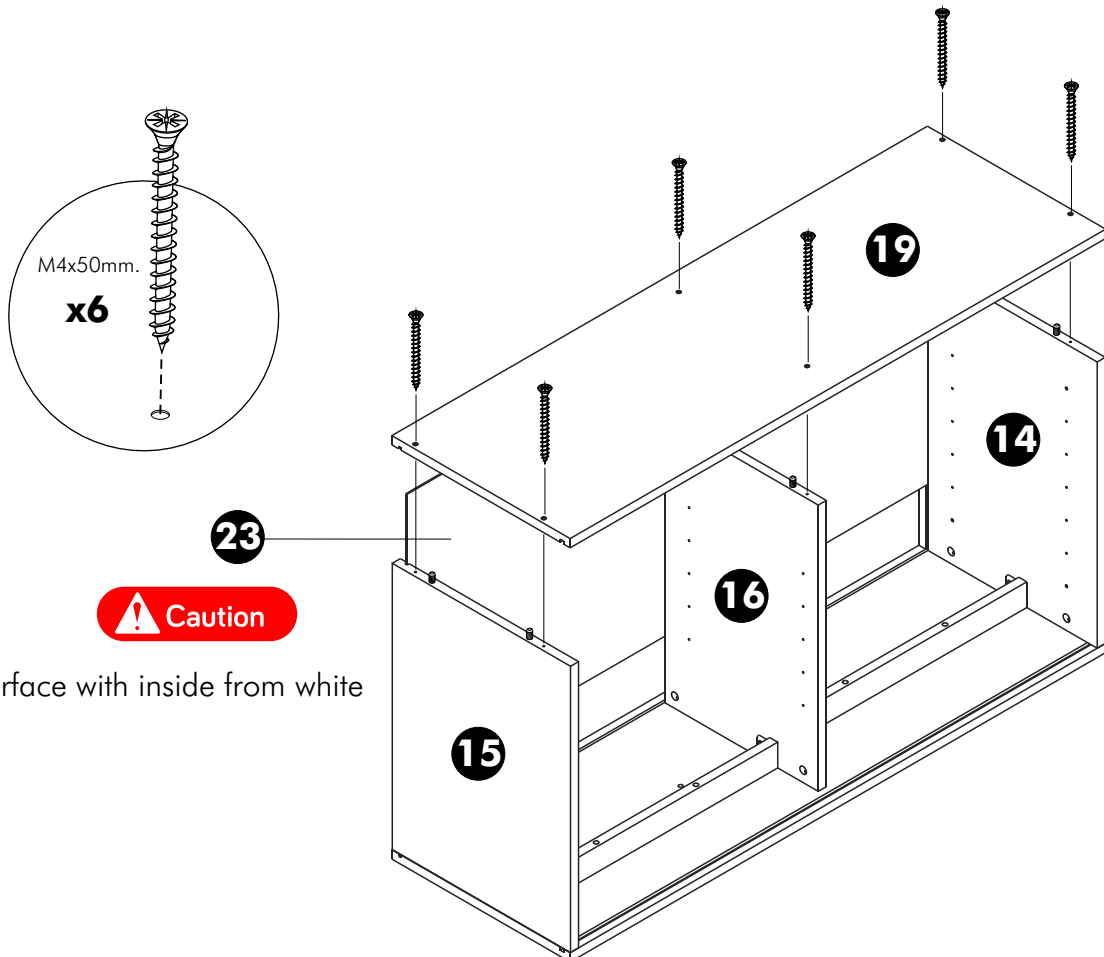
ASSEMBLY

-BODY SET

1.



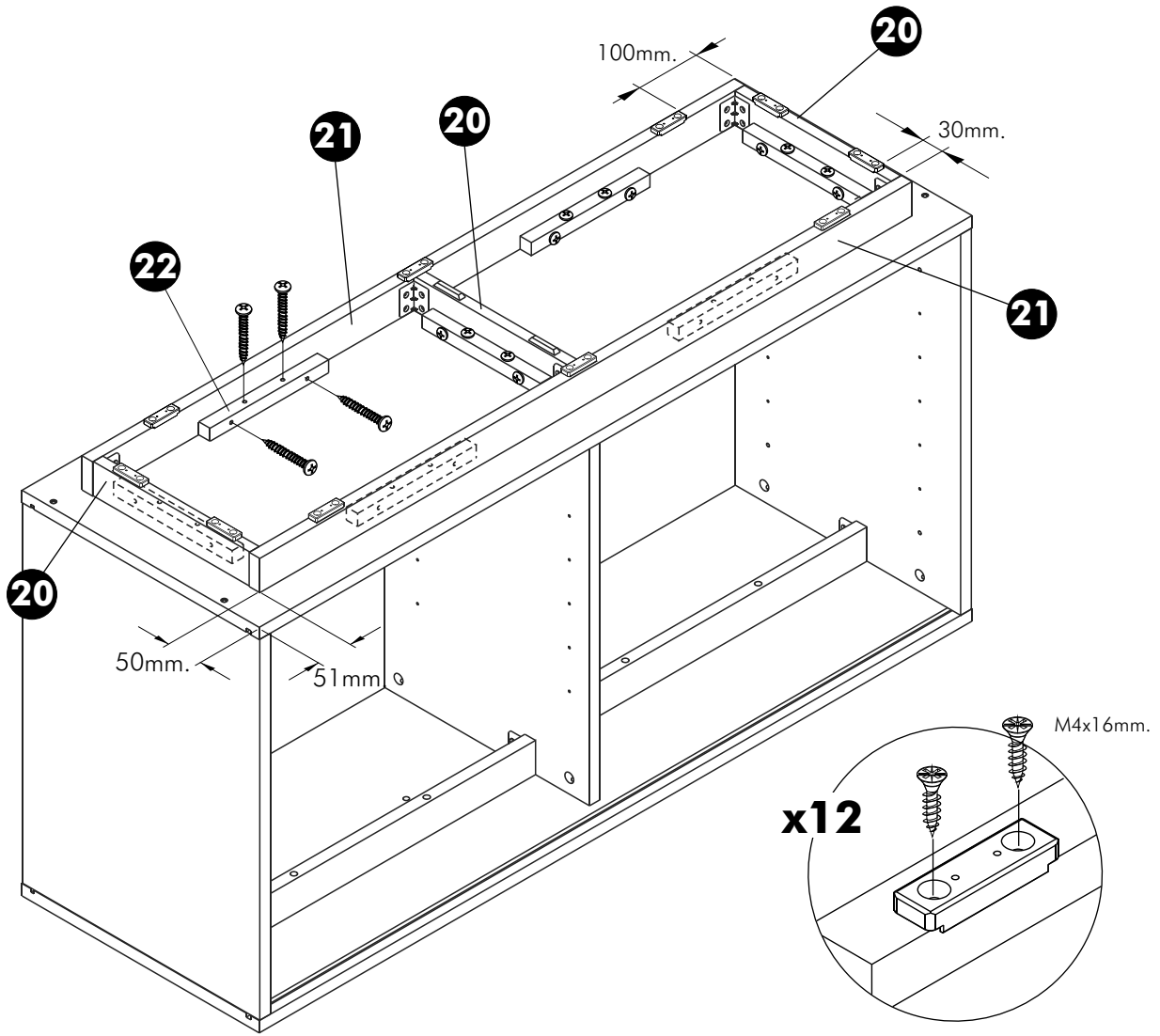
2.



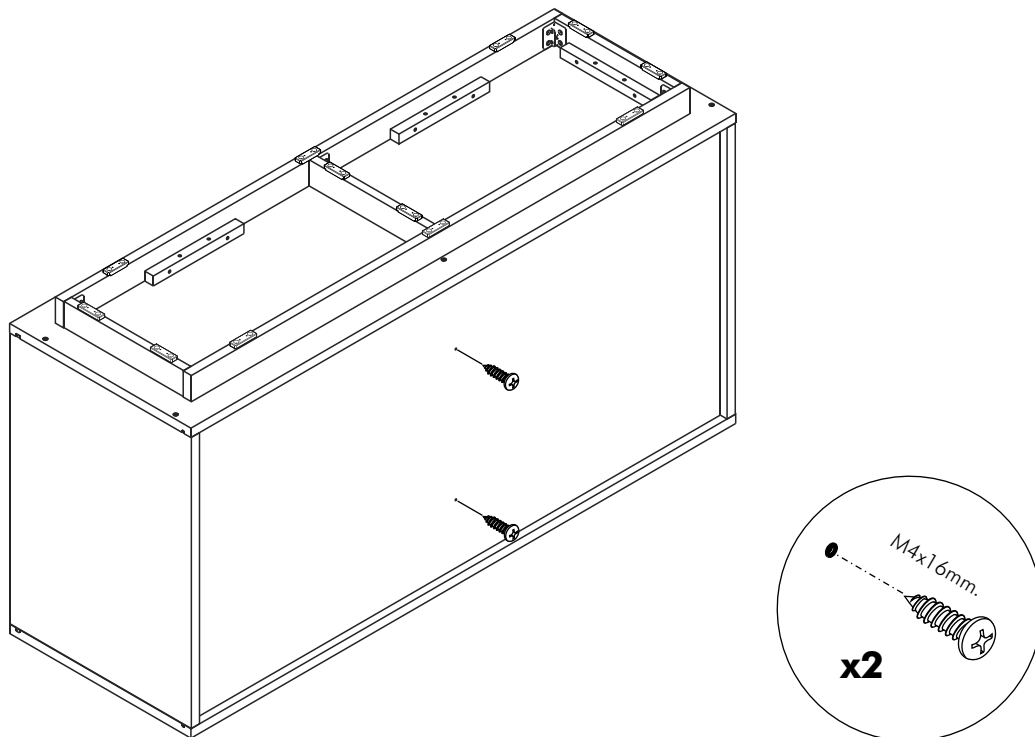
Caution

Surface with inside from white

3.

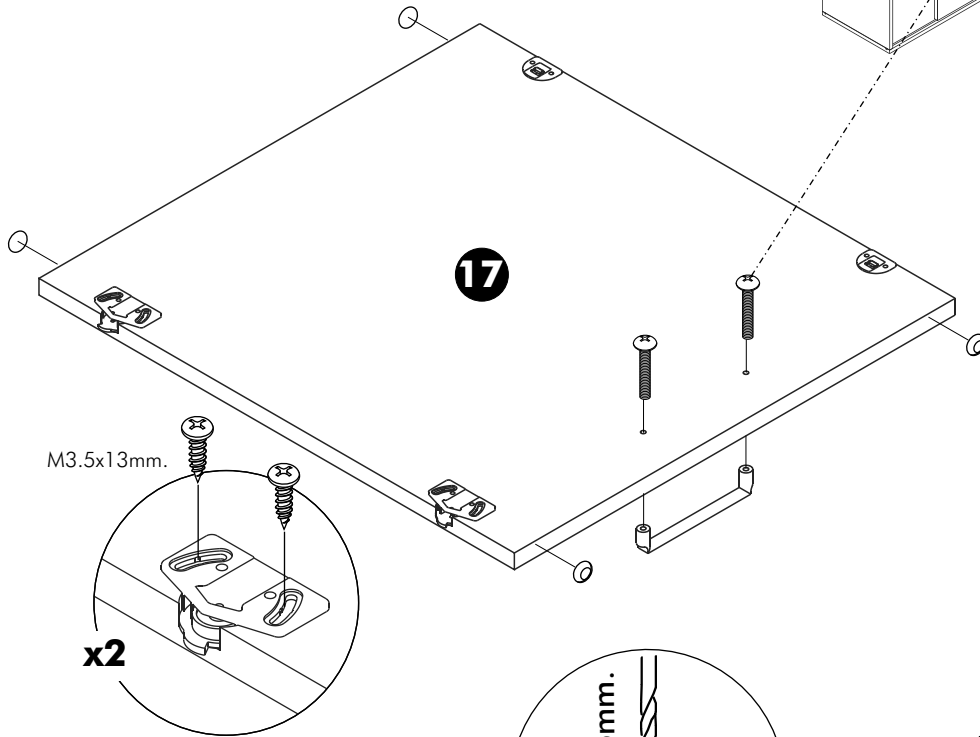
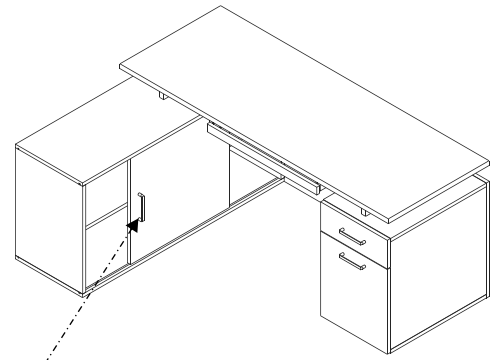


4.



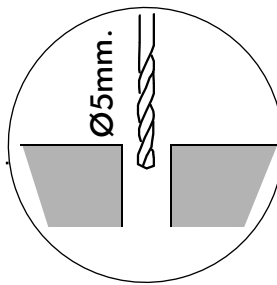
ASSEMBLY

-DOOR SET

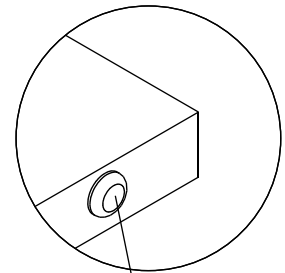


M3.5x13mm.

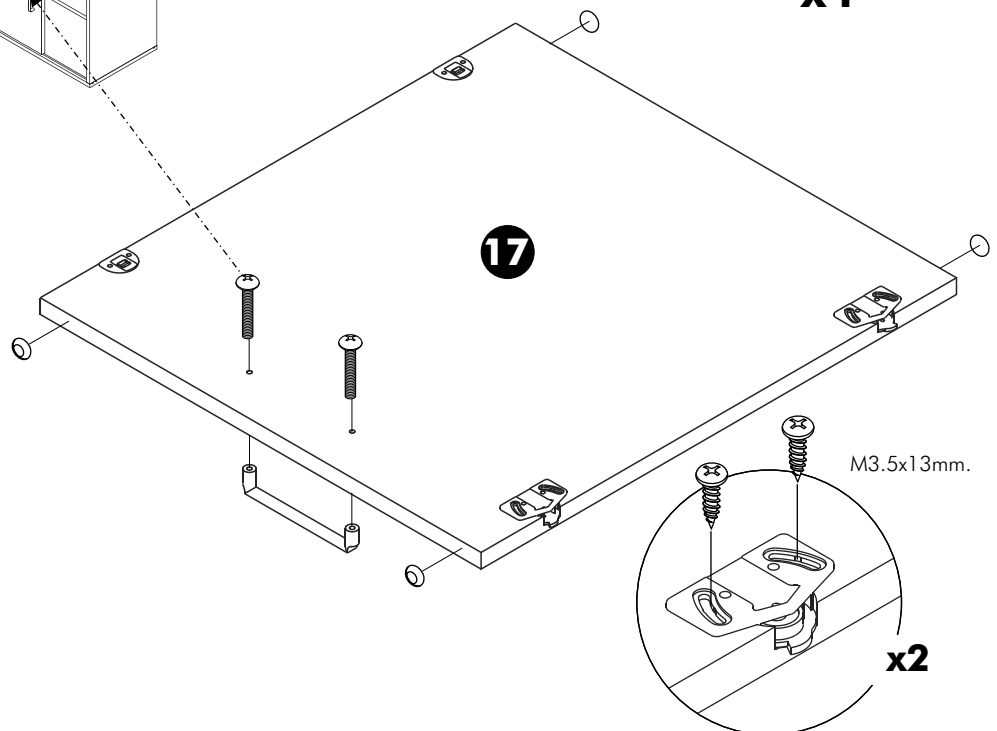
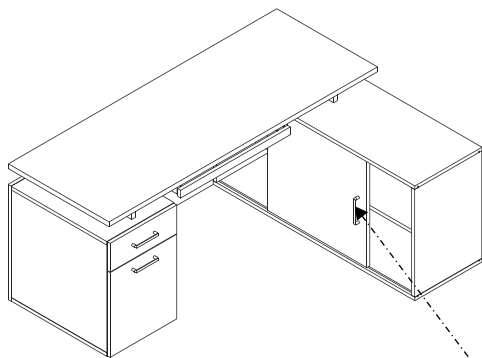
x2



Ø5mm.



x4

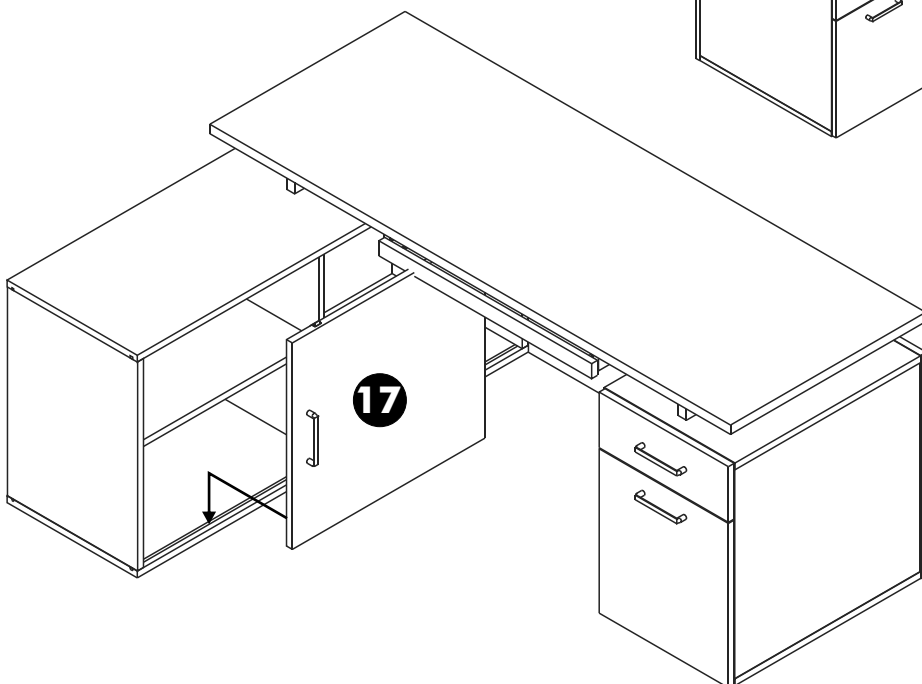
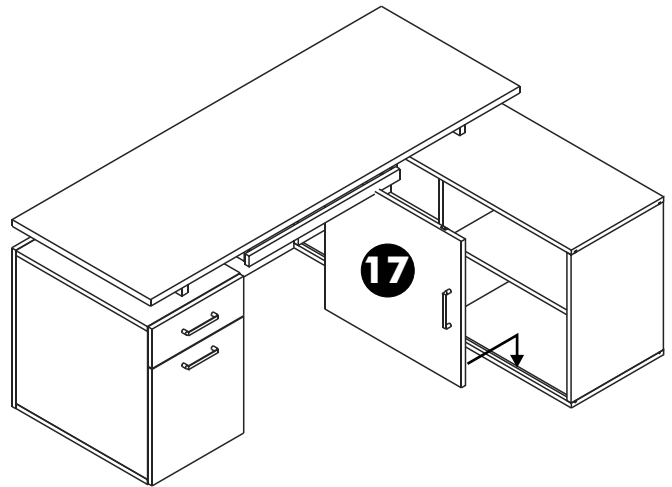
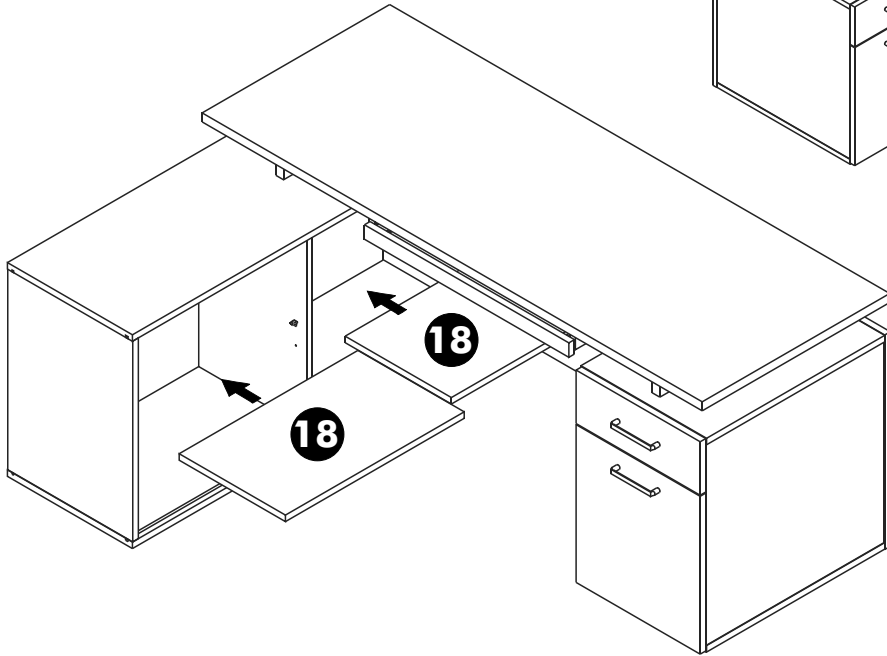
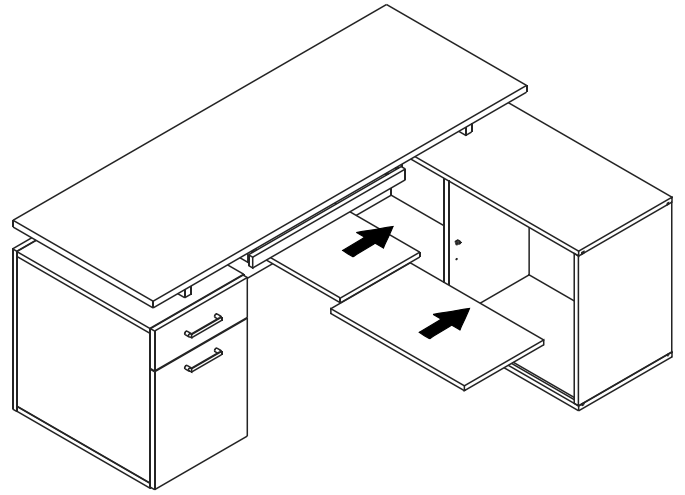


M3.5x13mm.

x2

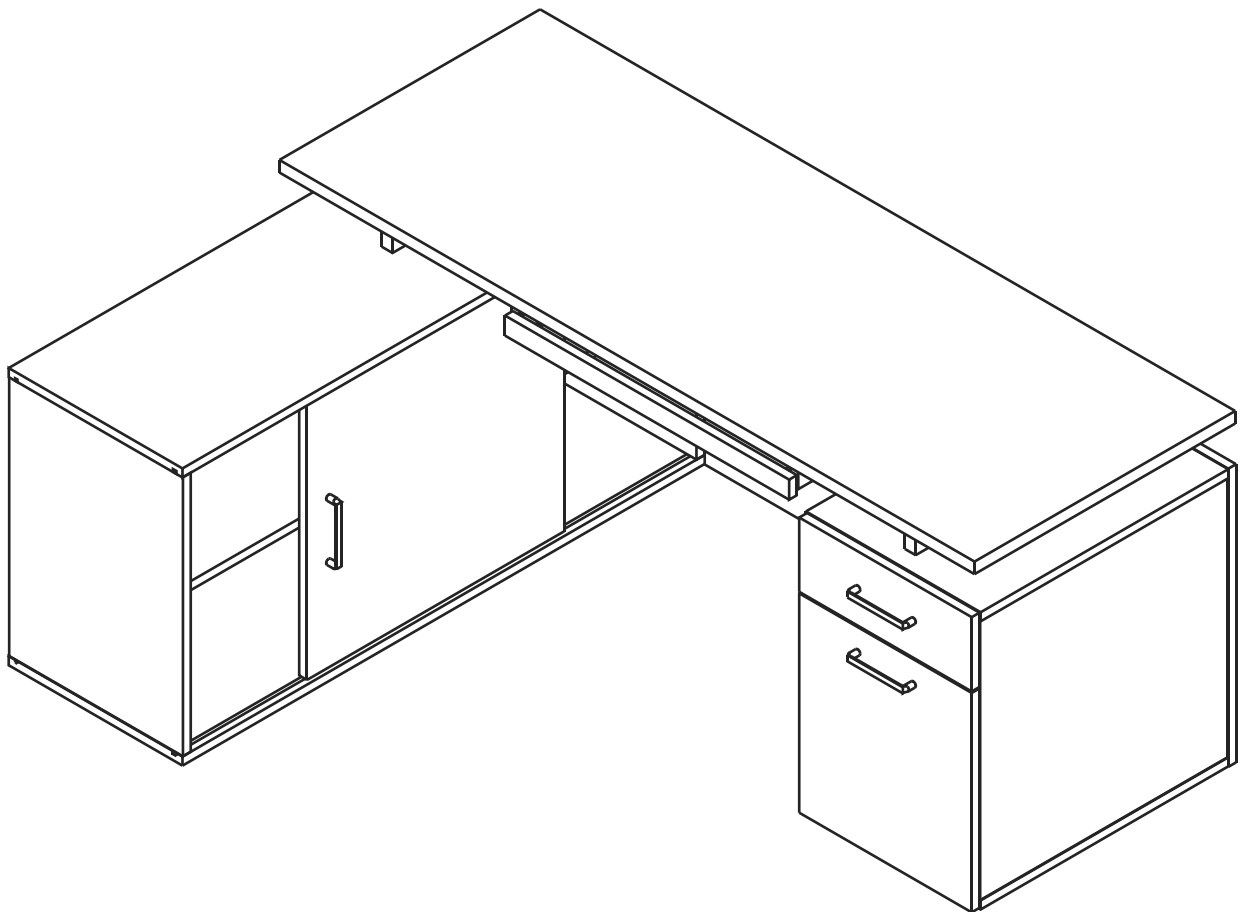
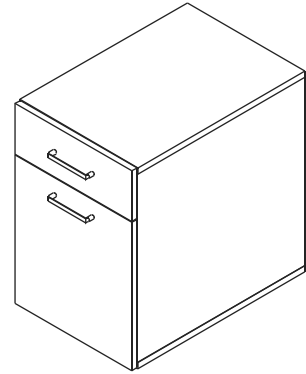
ASSEMBLY

-DOOR SET

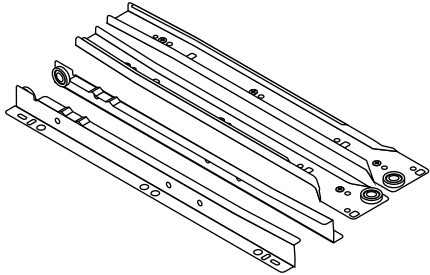
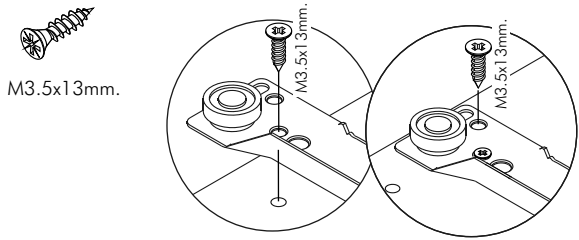


PRESENCE-P

Work Station-3/3

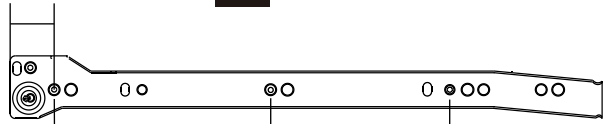


CONNECT SYSTEM

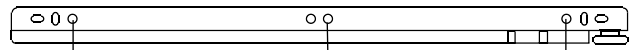


28mm.

1

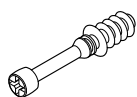


2



HARDWARE

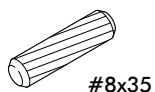
-BODY SET



x 4



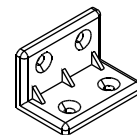
x 4



x 24



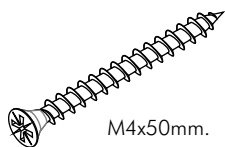
x 4



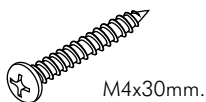
x 4



x 32



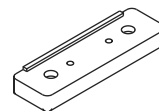
x 4



x 18

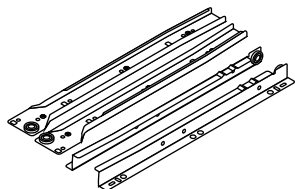


x 2

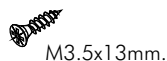


x 8

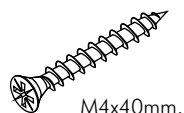
-DRAWER SET



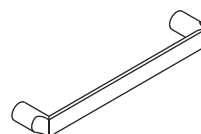
x 1



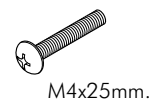
x 14



x 8



x 1



x 2

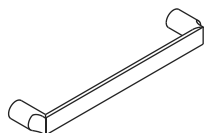


x 2

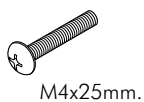


x 1

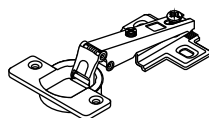
-DOOR SET



x 1



x 2



x 2



x 8



x 2

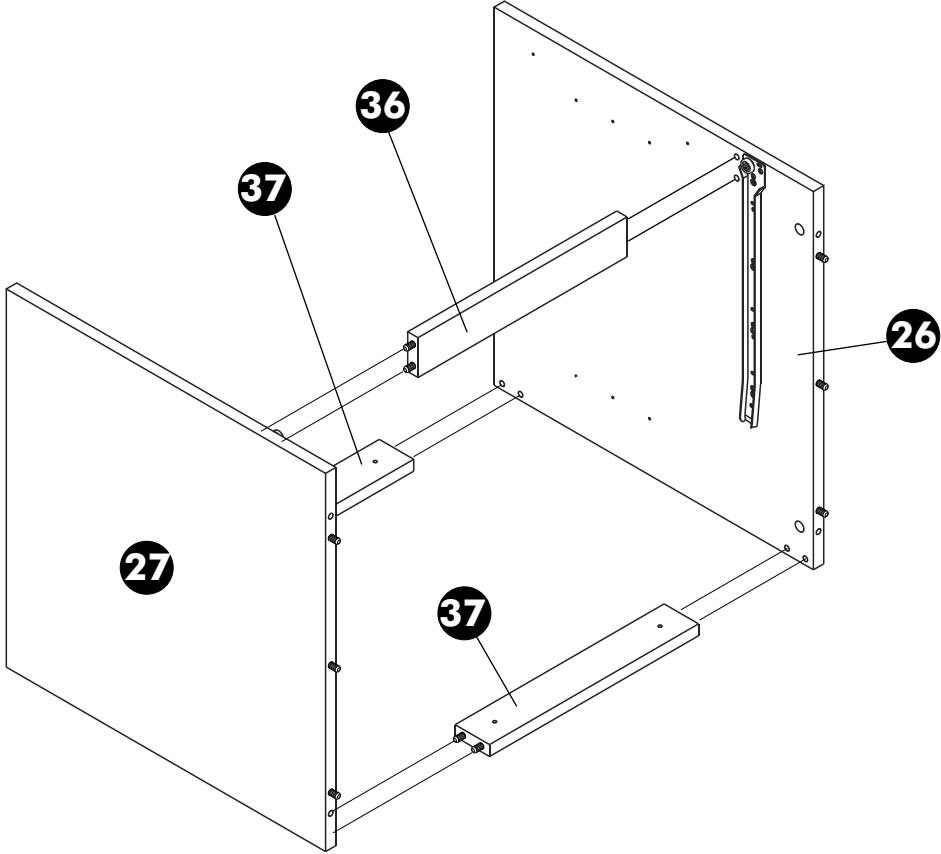


x 2

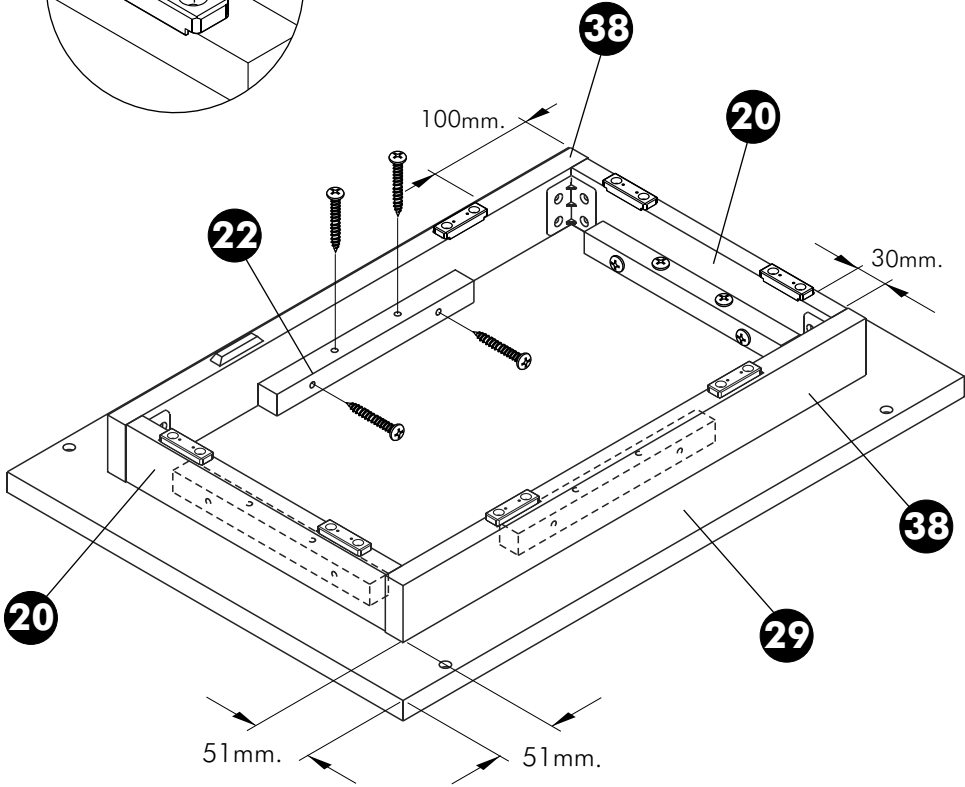
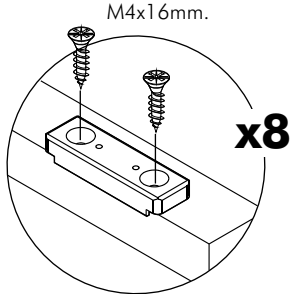
ASSEMBLY

-BODY SET

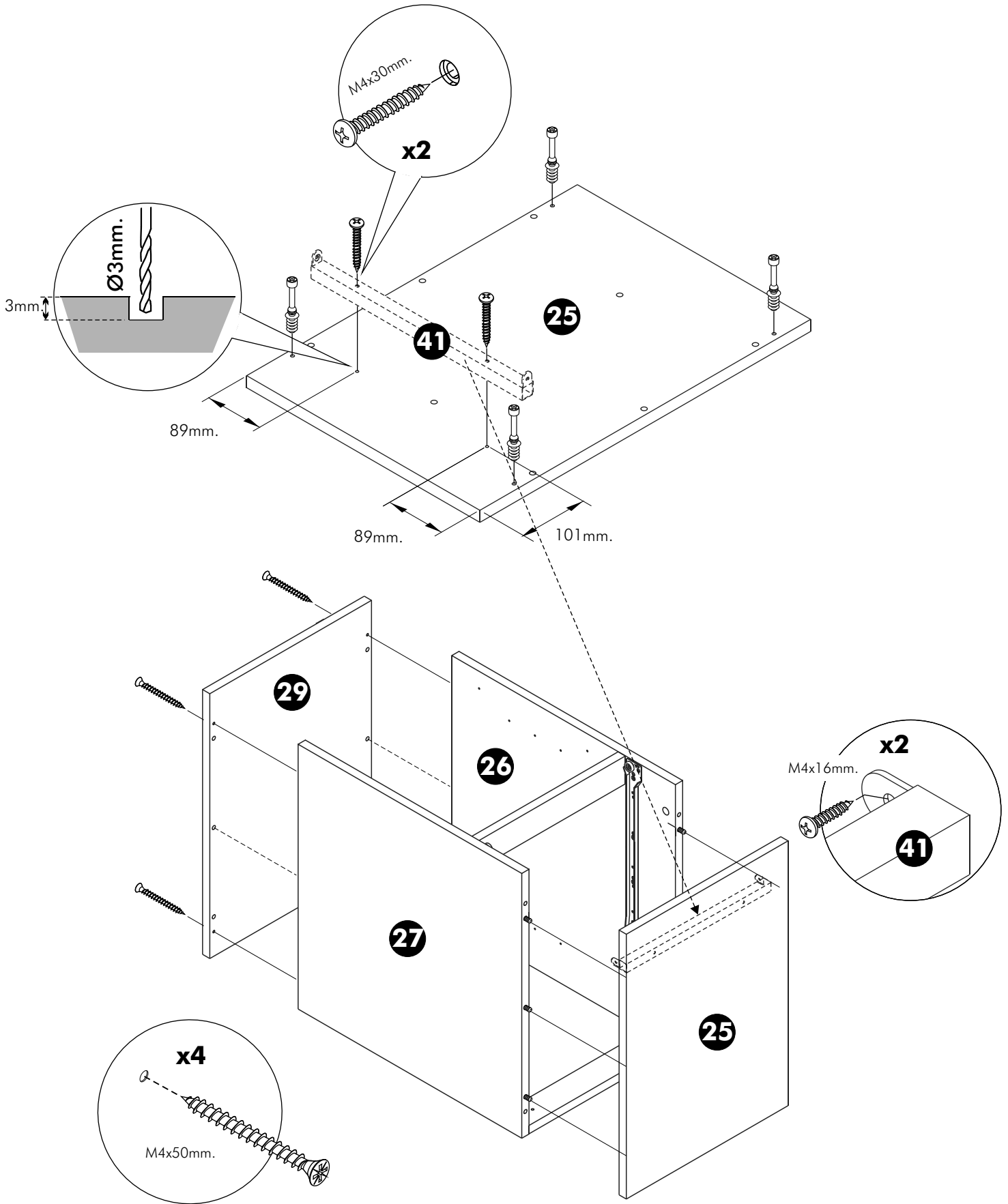
1.



2.

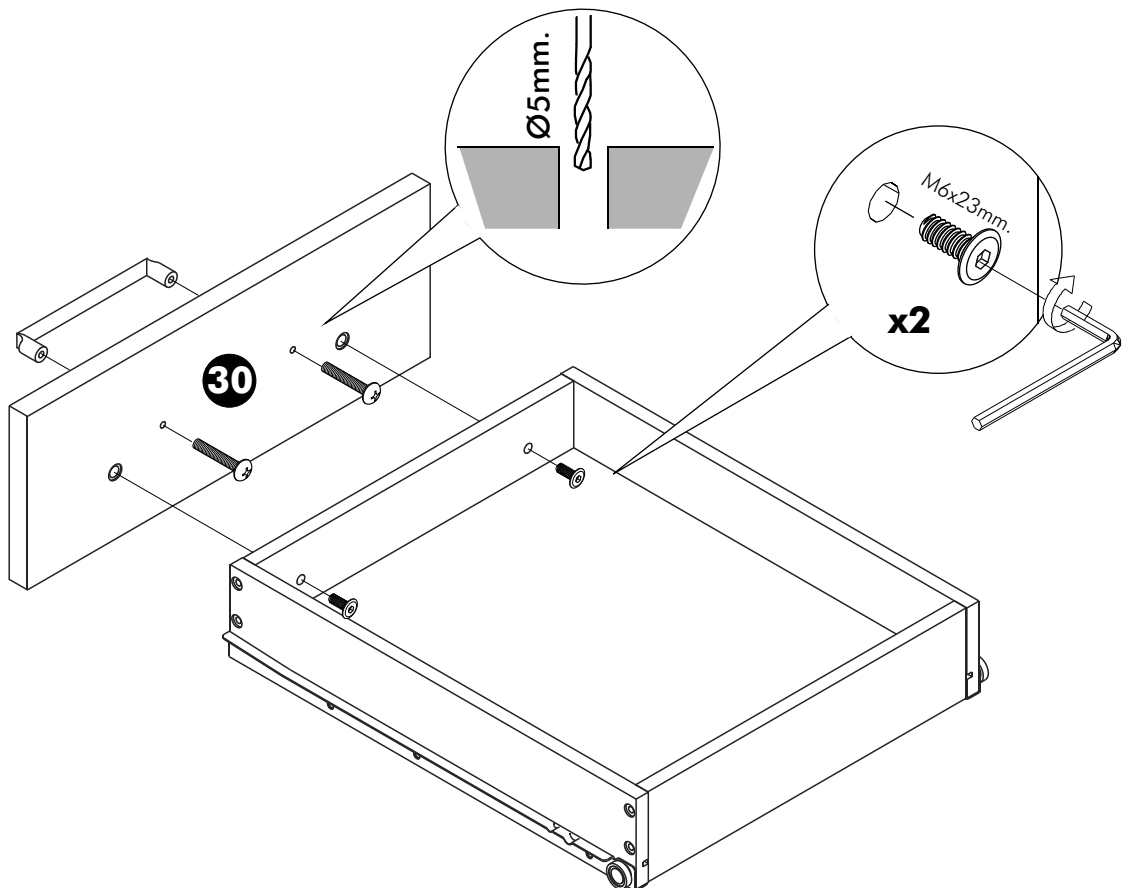
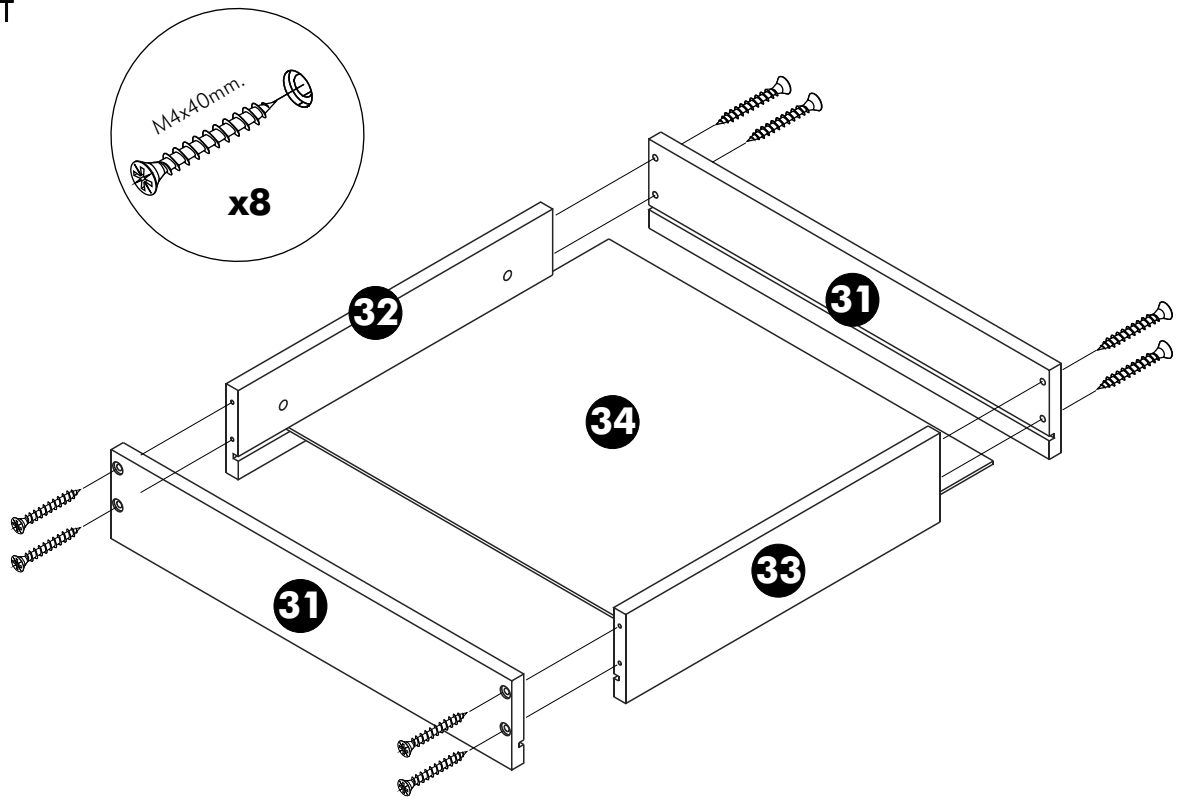


3.



ASSEMBLY

-DRAWER SET



ASSEMBLY

-DRAWER&DOOR SET

