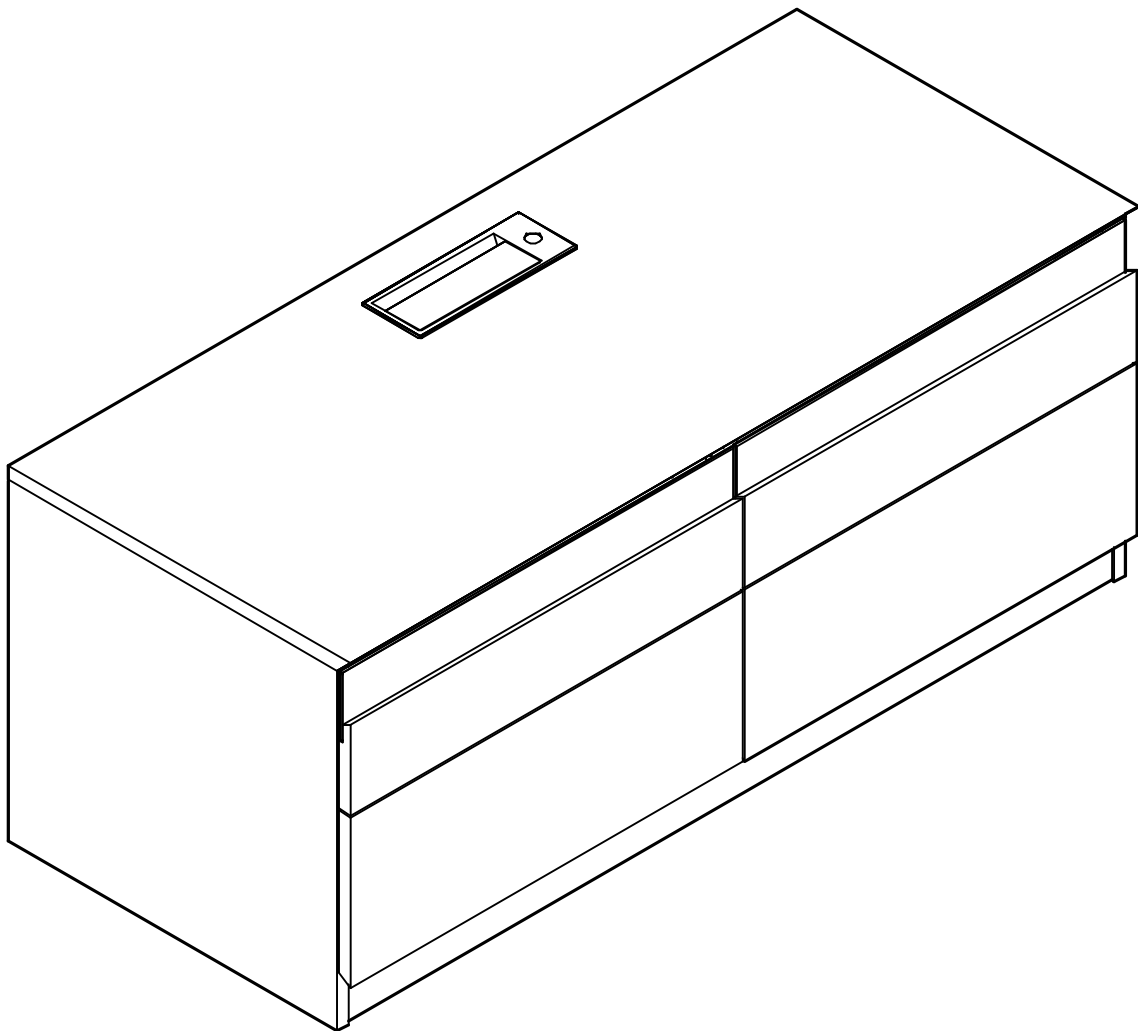
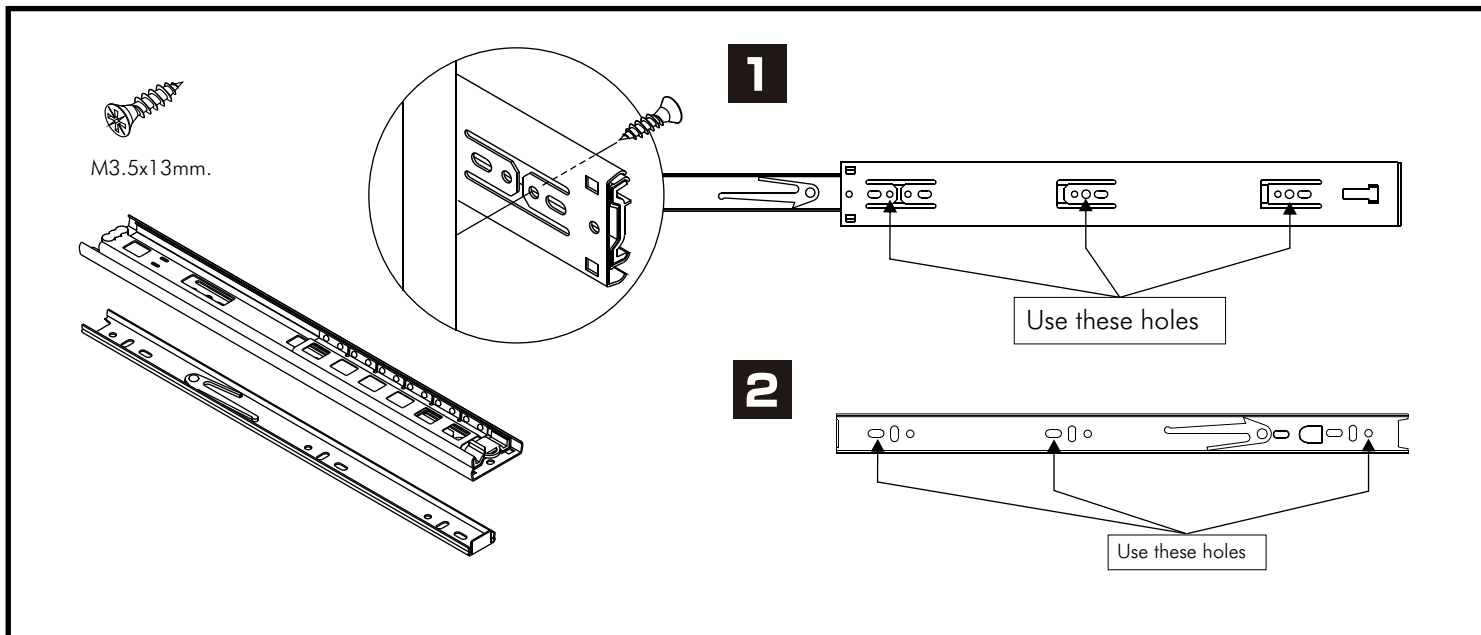
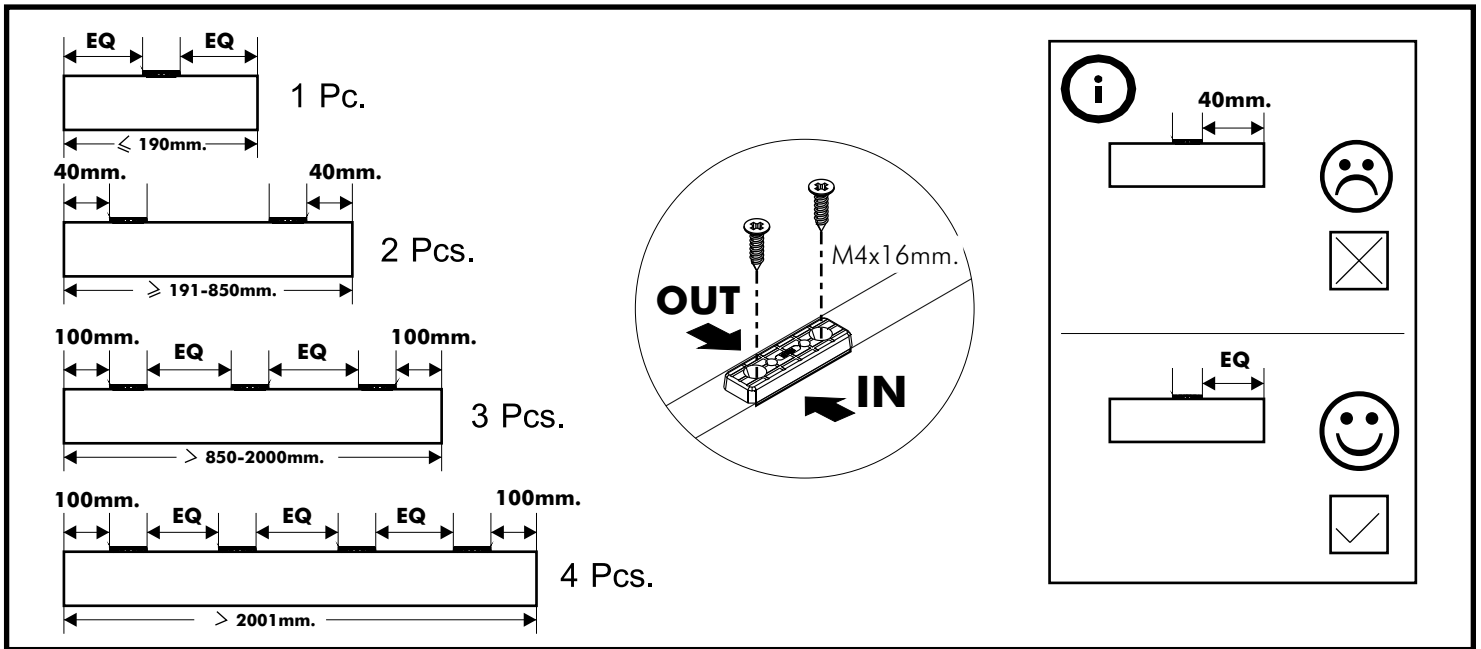


# SPECTRUM-P

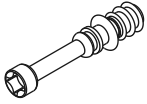
**TV Cabinet /120**



# CONNECT SYSTEM



# HARDWARE

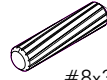


**x20**



#19 mm.

**x20**



#8x35mm.

**x42**



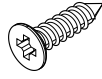
#M3.5x13mm.

**x48**



#M3x20(F)

**x7/7**



#M4x16mm.

**x24**

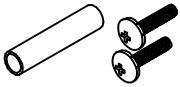


#M6x23

**x16**

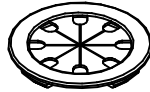


**x6**

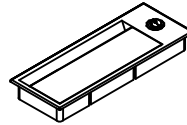


#M4x15mm.

**x4/8**



**x1**

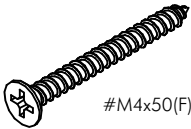


**x1**



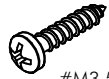
#M4x40(F)

**x44**



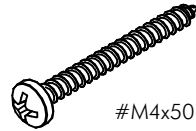
#M4x50(F)

**x2**



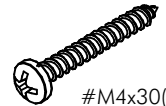
#M3.5x16

**x2**



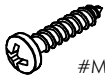
#M4x50(P)

**x10**



#M4x30(P)

**x4**



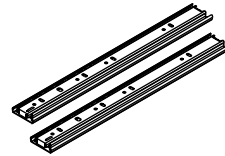
#M4x16(P)

**x5**



#M4x13(P)

**x12**

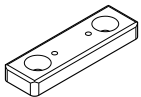


**x 4 set**



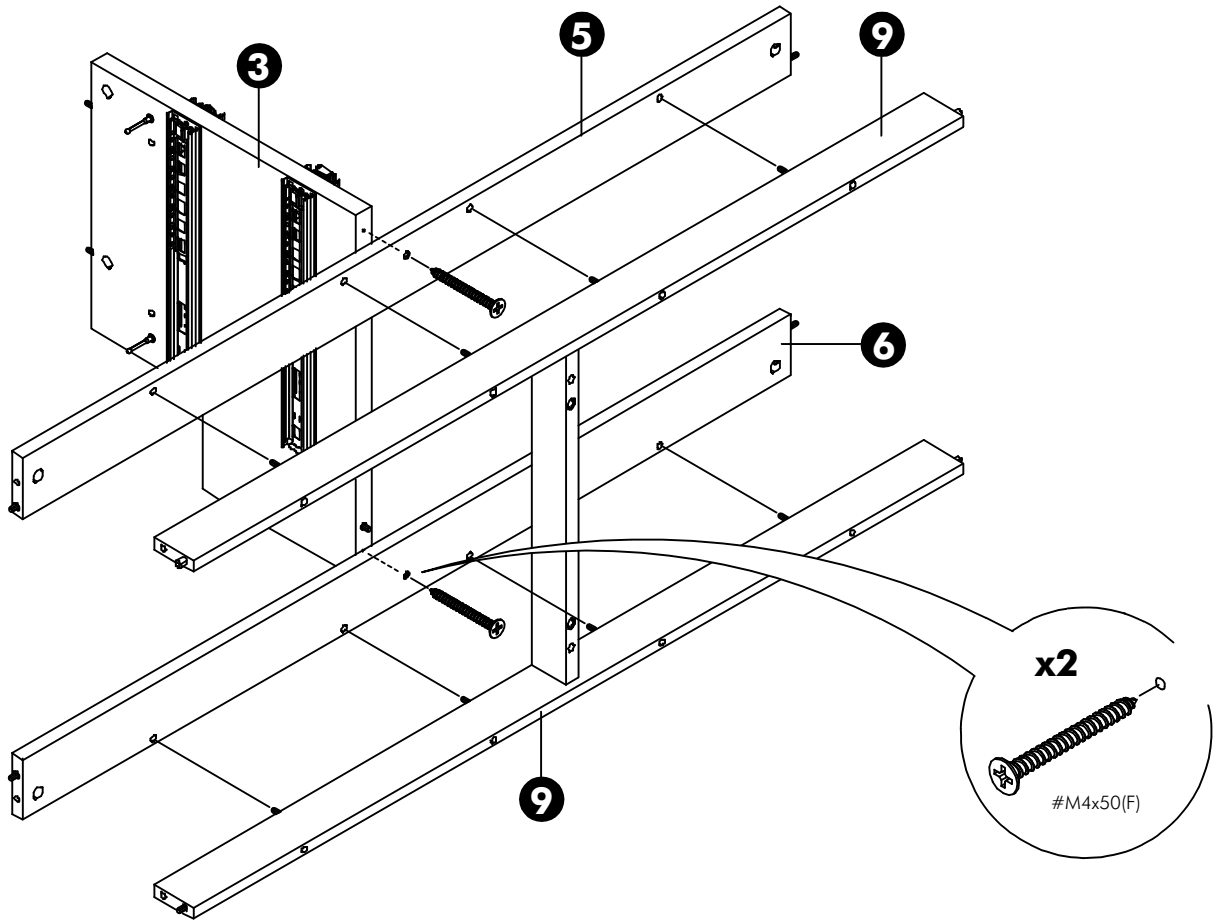
#M4

**x 1**

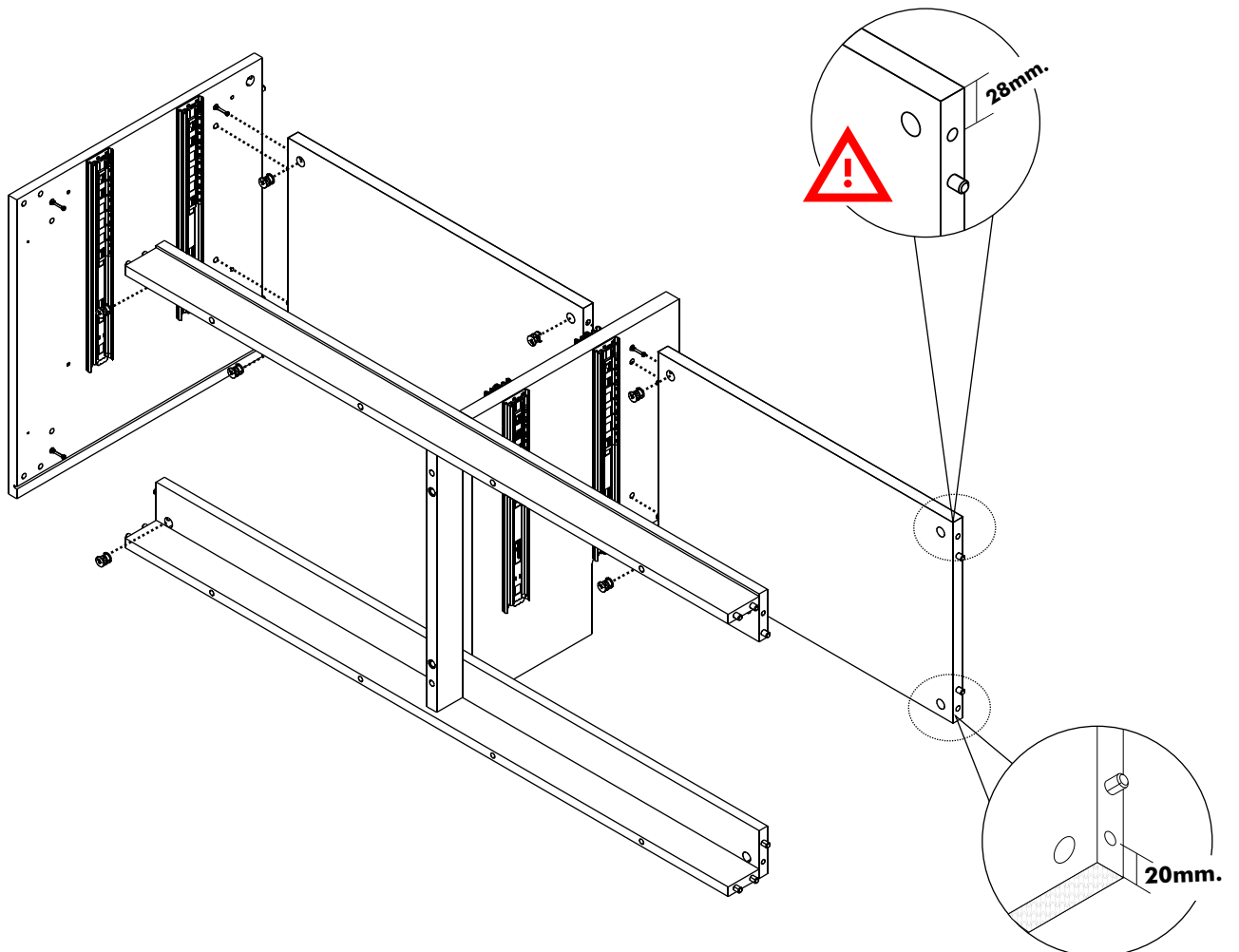


**x12**

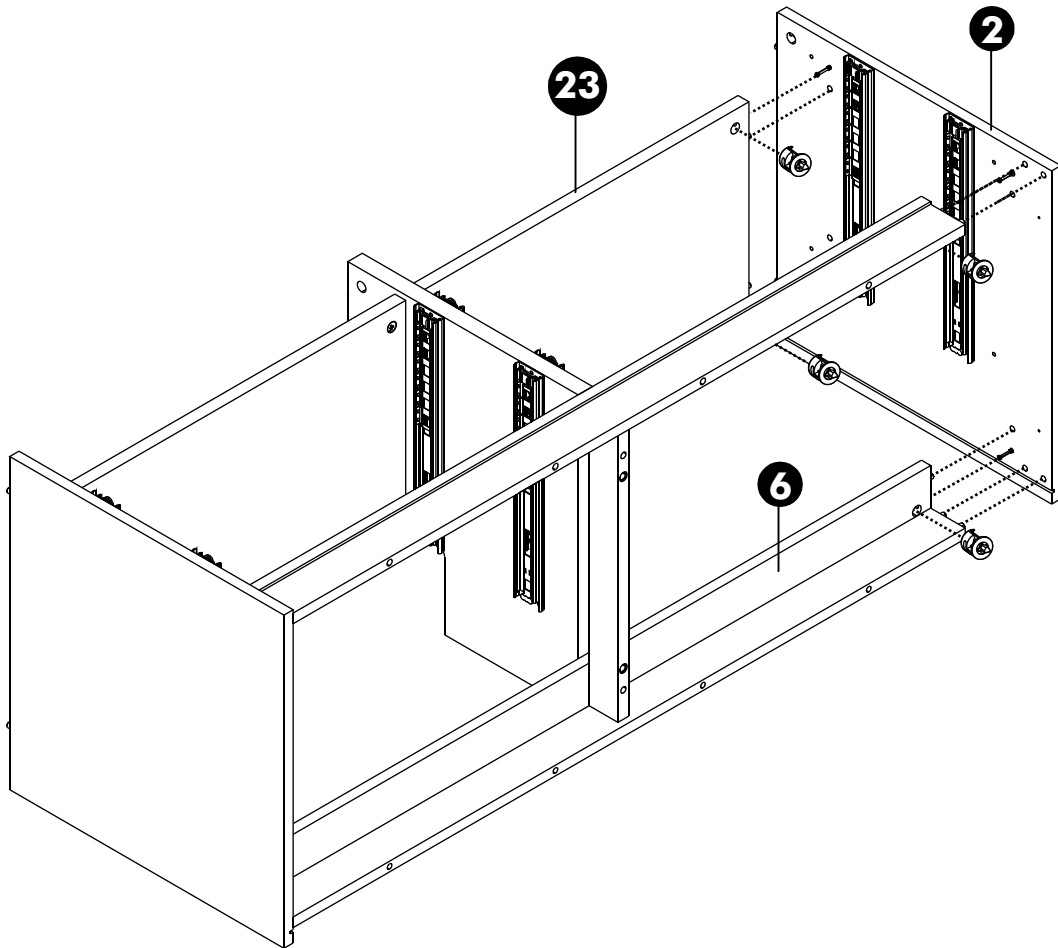
1.



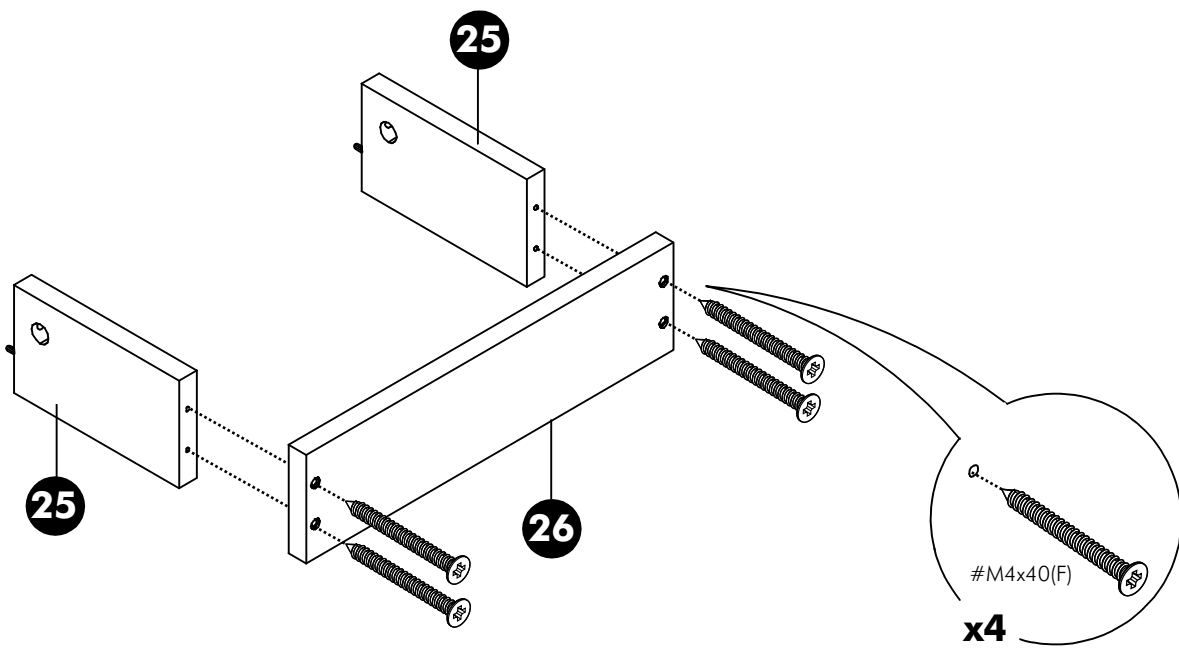
2.



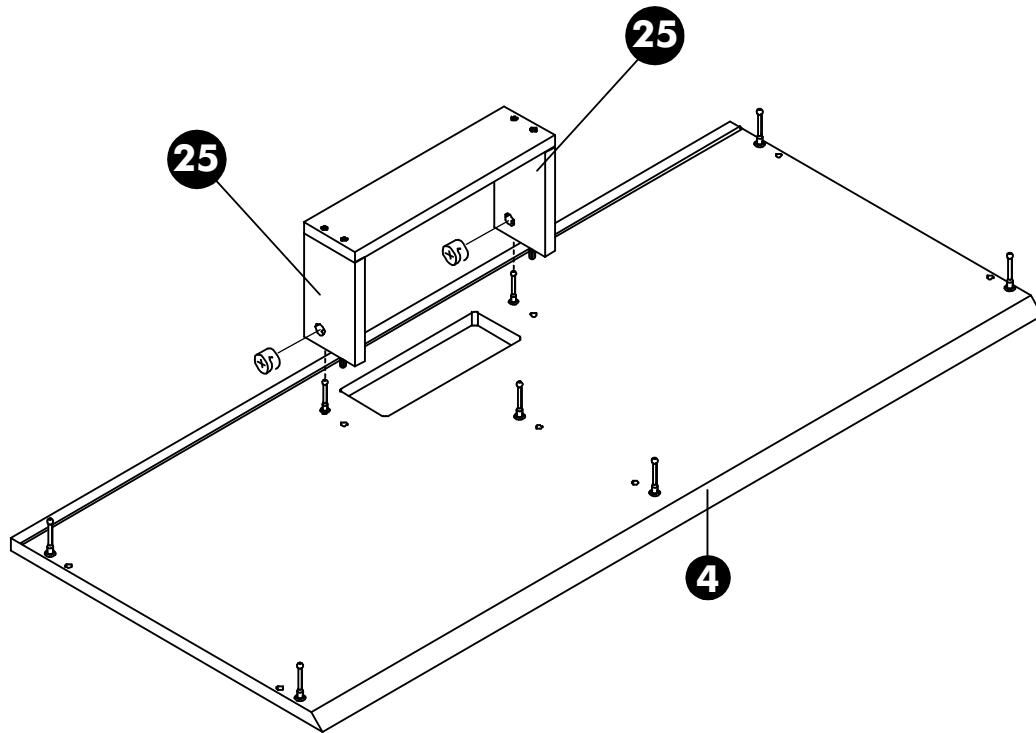
**3.**



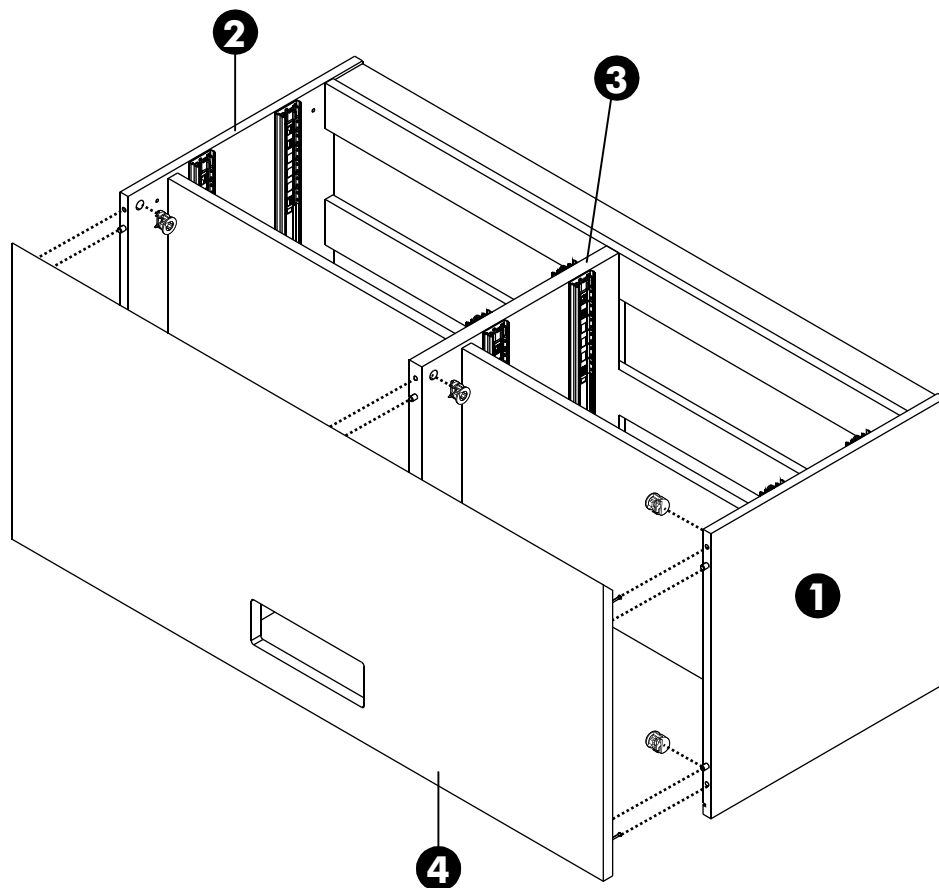
**4.**



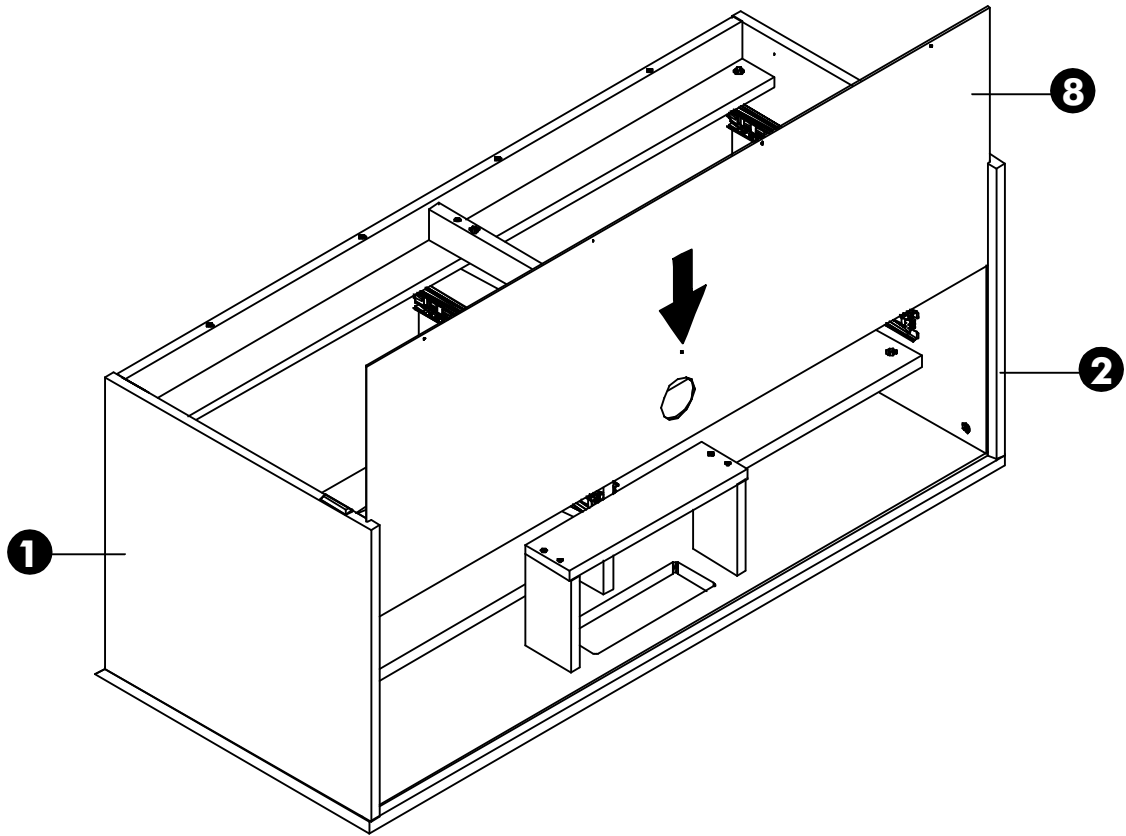
**5.**



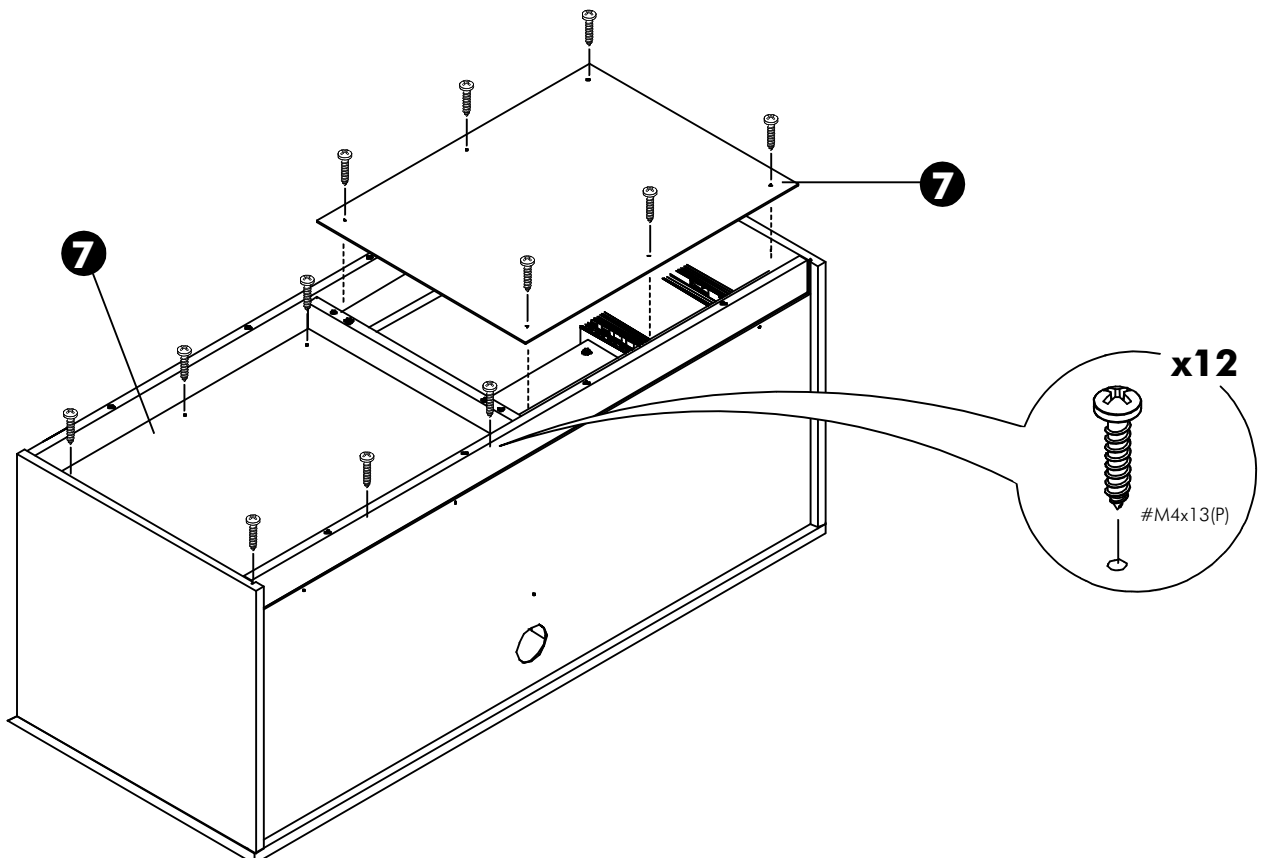
**6.**



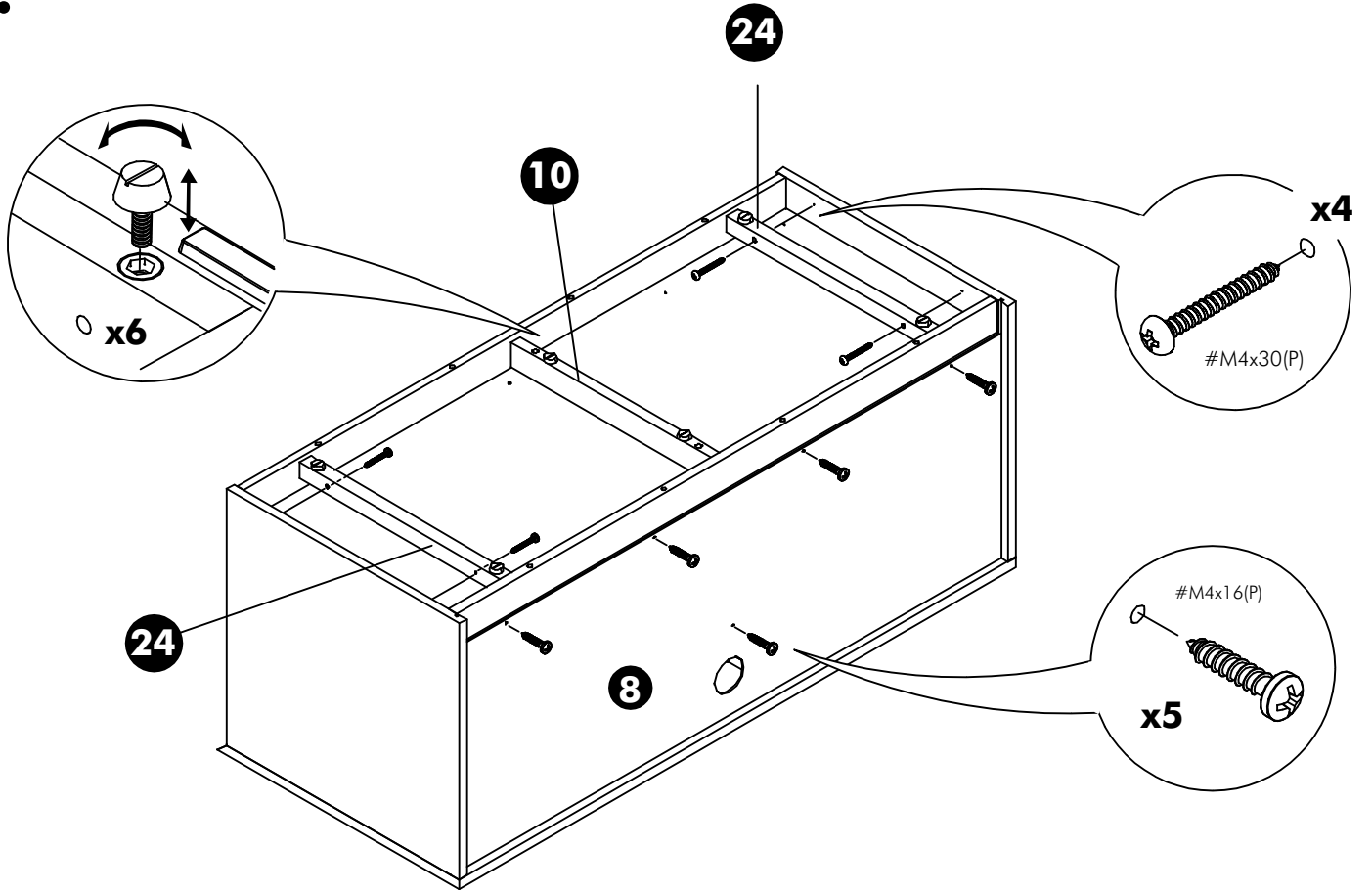
**7.**



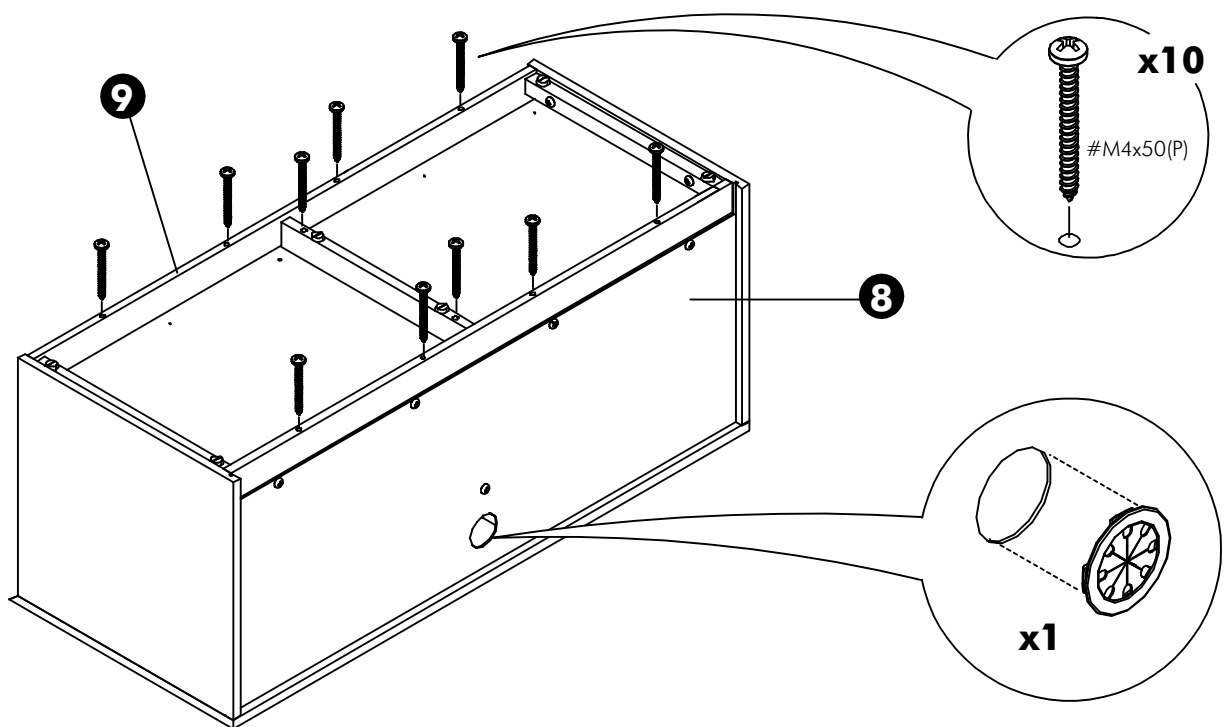
**8.**



9.

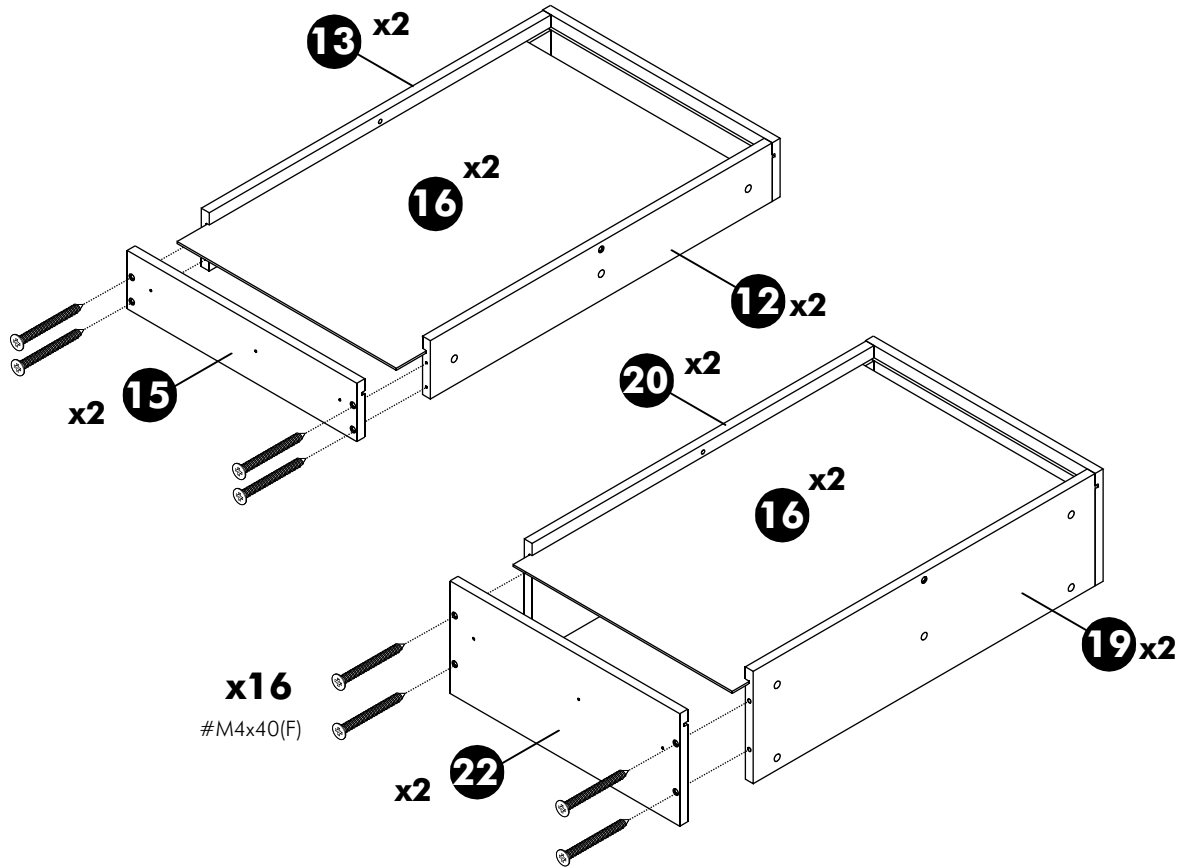


10.

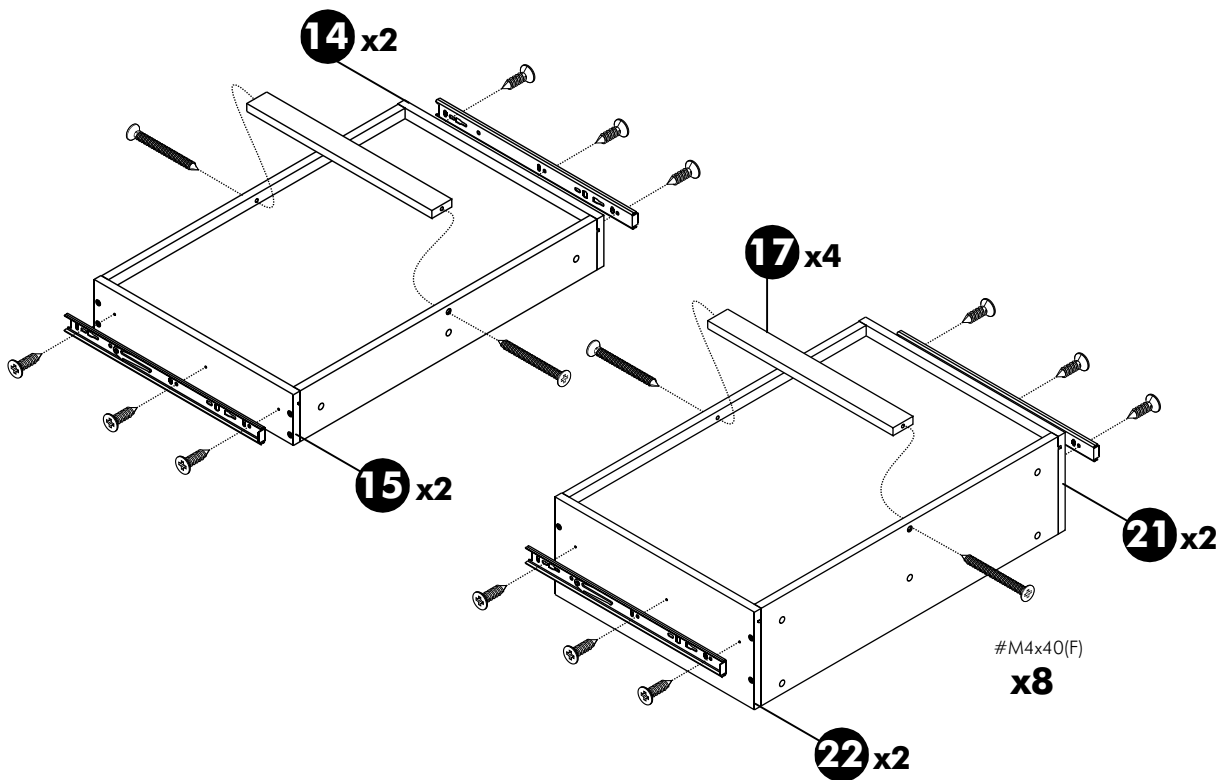




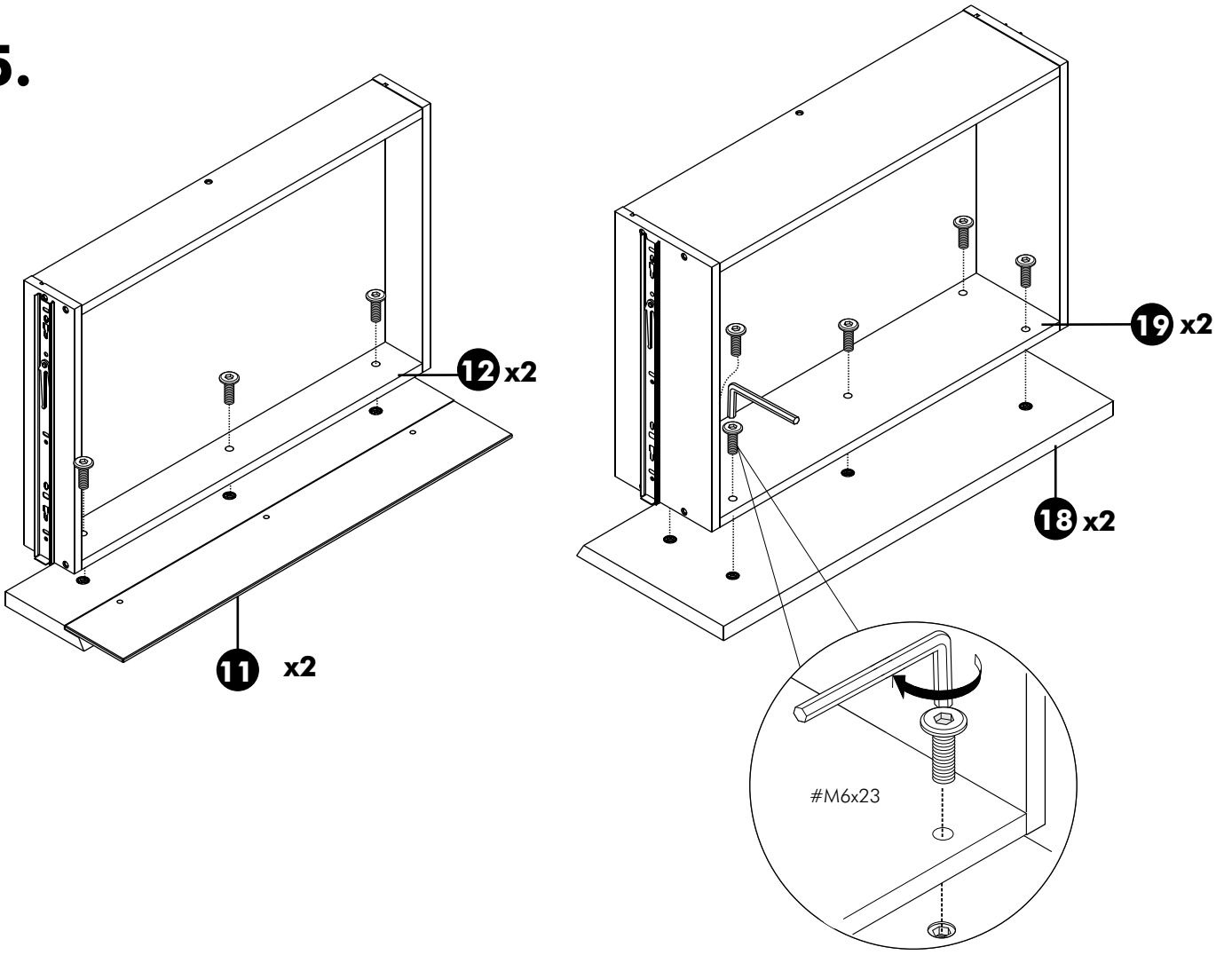
13.



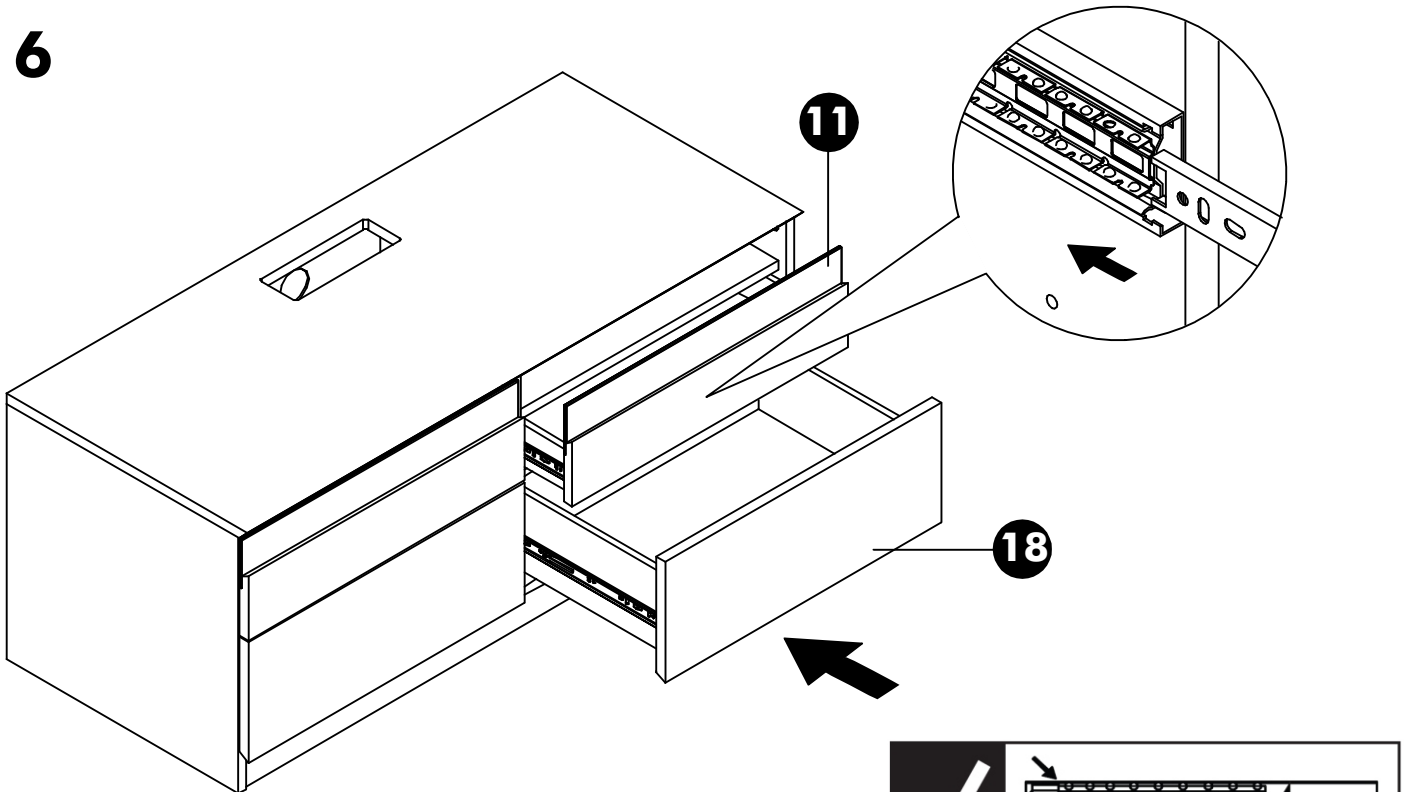
14.



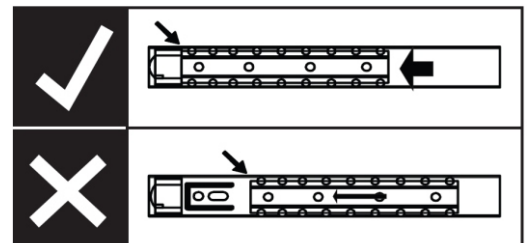
15.



16



NOTE: Make sure ball bearings of glides on unit are positioned toward the front of the unit prior to inserting the drawer.



17.

