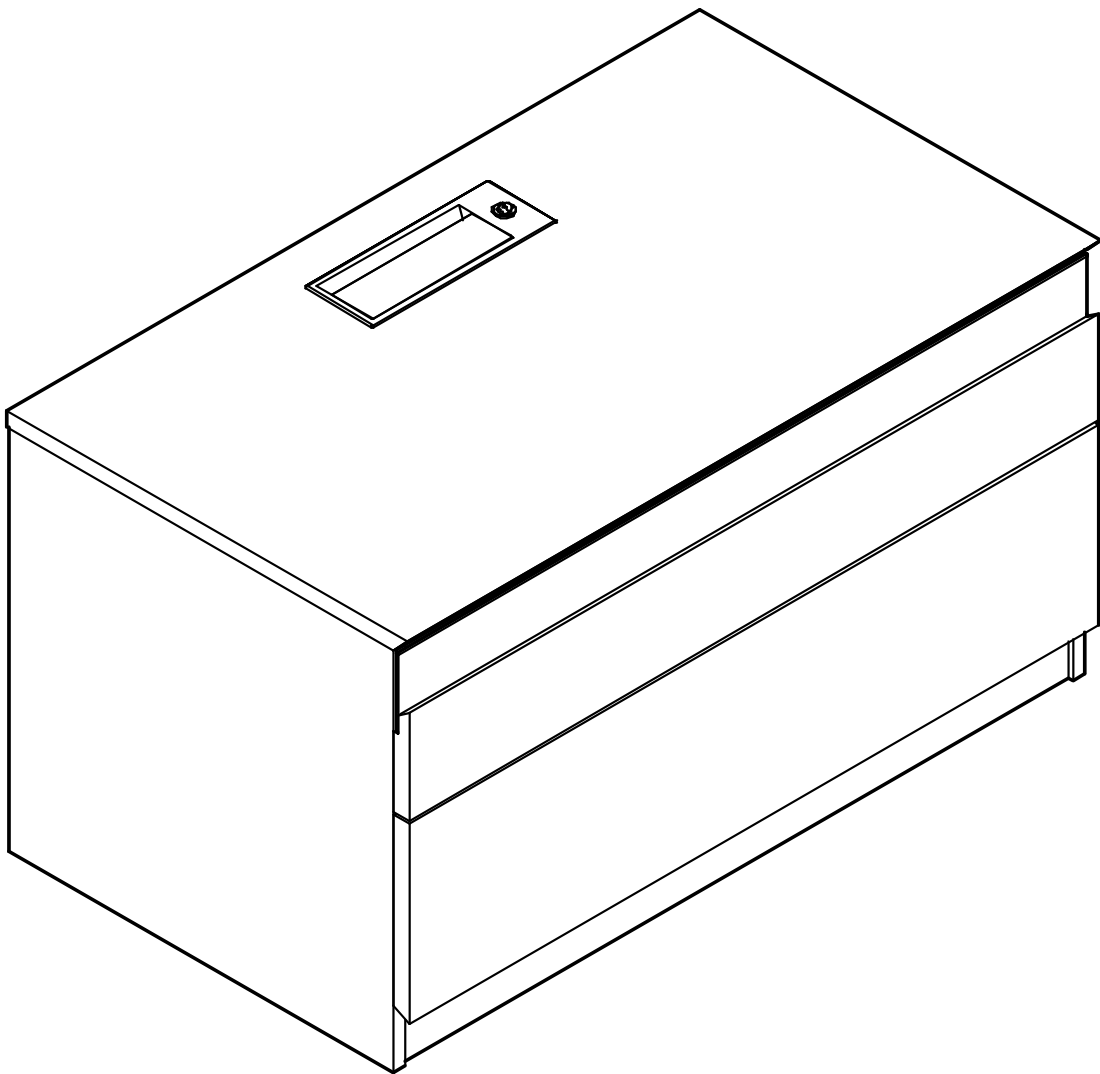
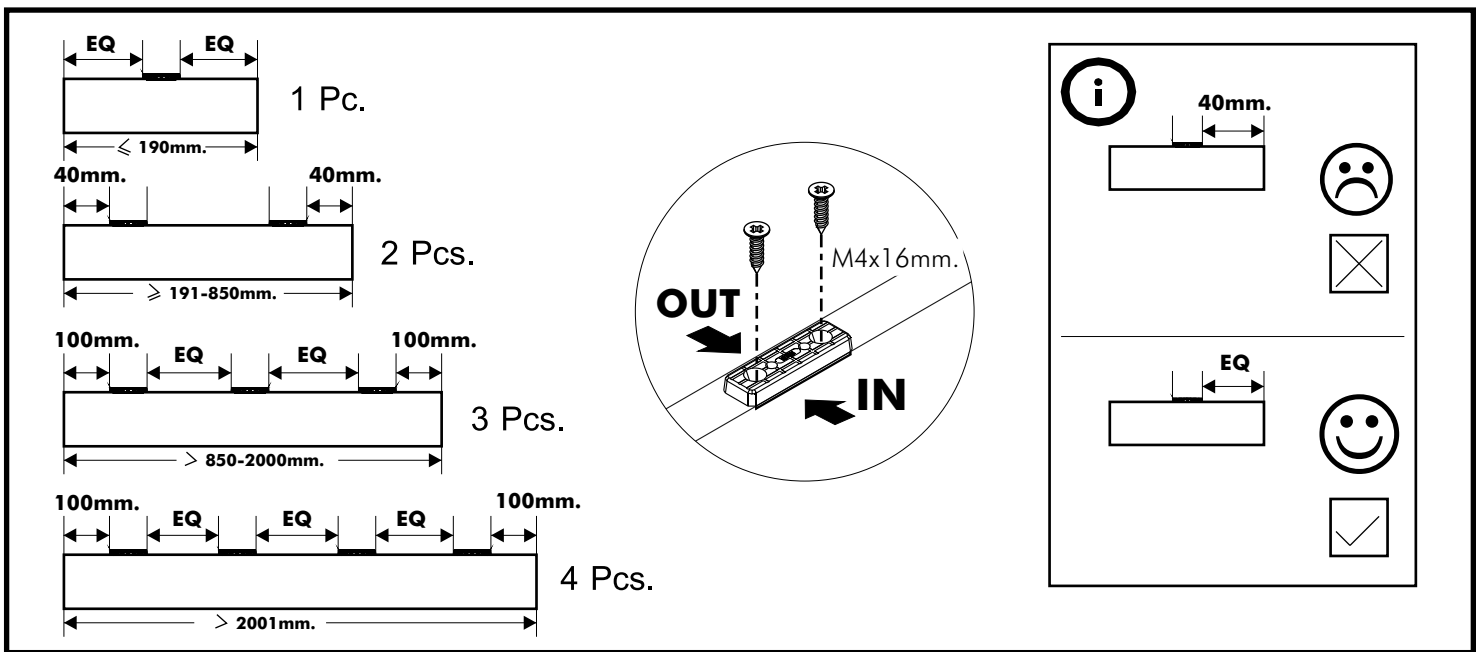


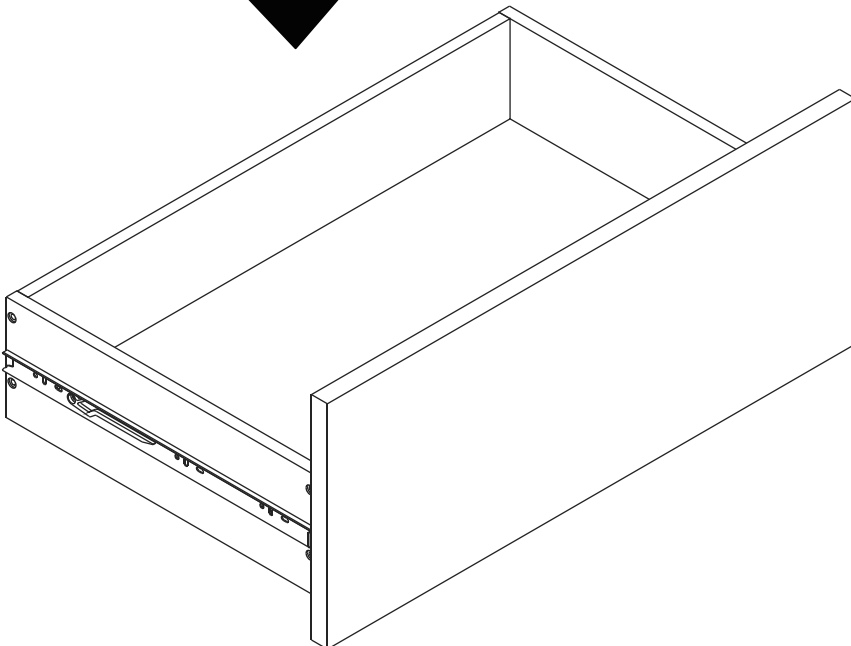
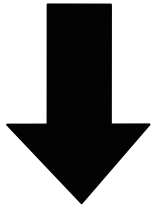
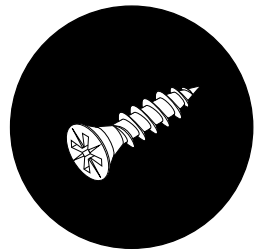
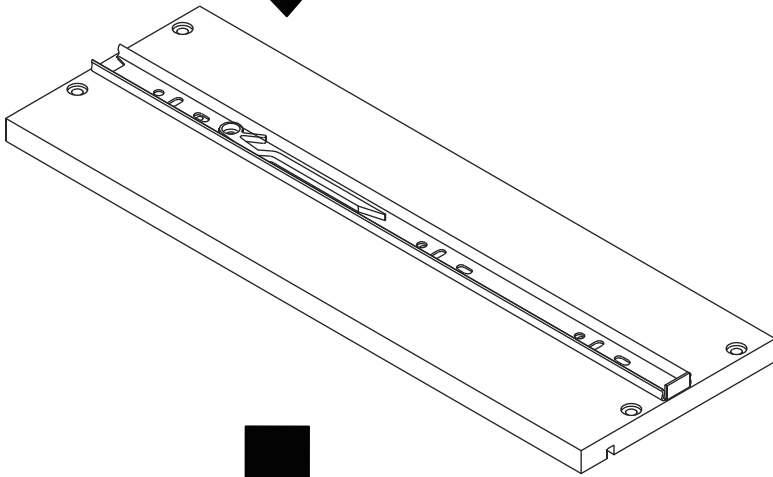
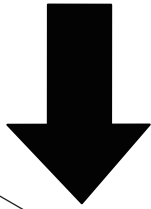
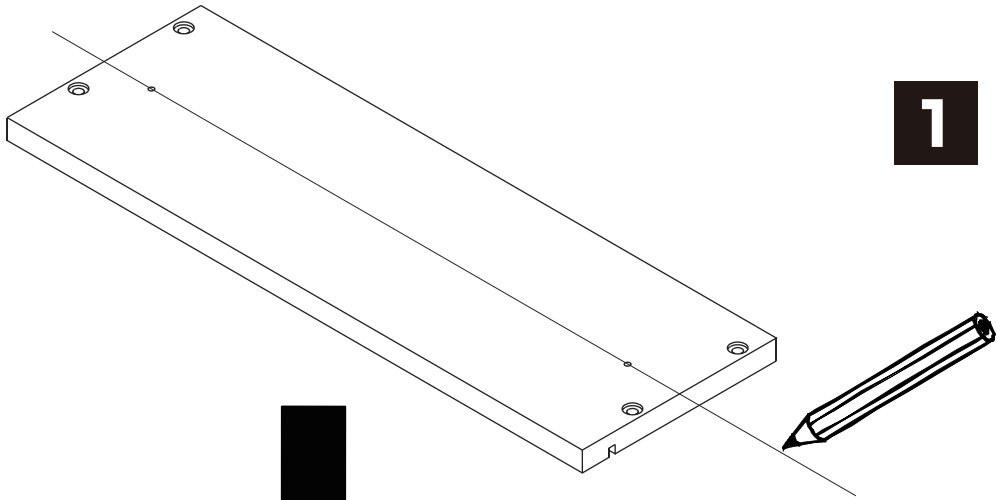
SPECTRUM-P

TV Cabinet /90



CONNECT SYSTEM





HARDWARE

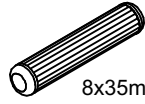


x14



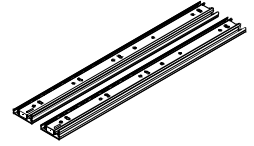
#19 mm.

x14



8x35mm.

x32



x2



#M4x20(F)

x6/6



#M4

x1

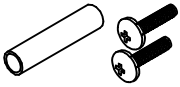


#M6x23

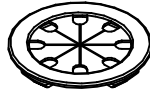
x10



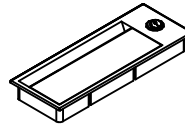
x6



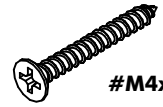
x4/8



x1



x1



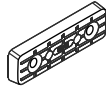
#M4x40(F)

x28

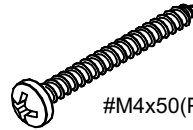


#M4x30(F)

x3



x8



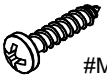
#M4x50(P)

x8



#M4x16(F)

x20



#M4x16(P)

x2



#M4x13(P)

x8



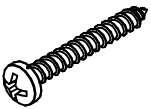
#M3.5x16(P)

x2



#M3.5x13(F)

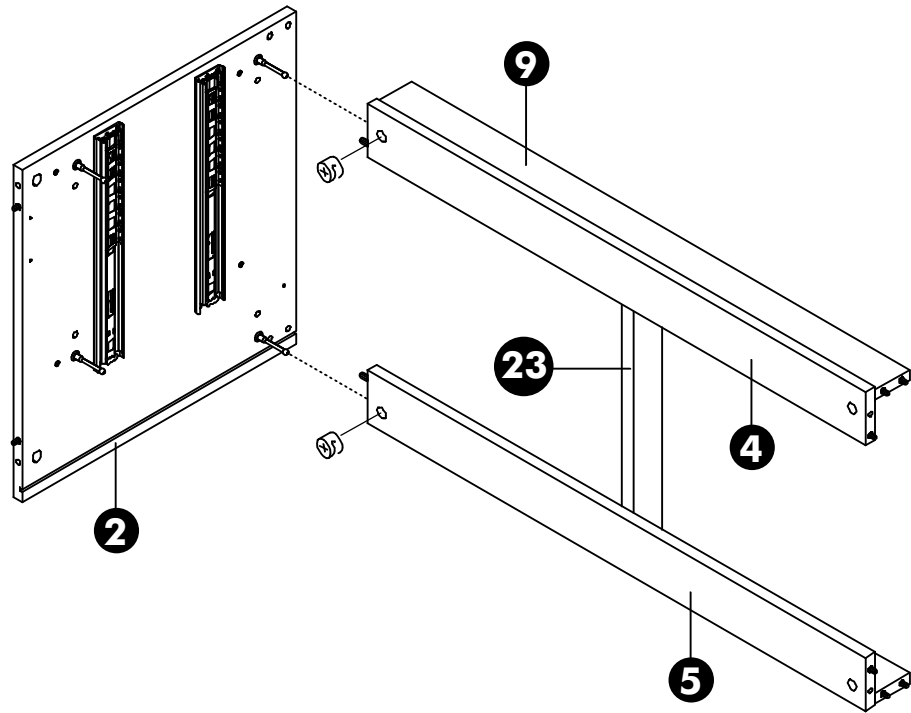
x24



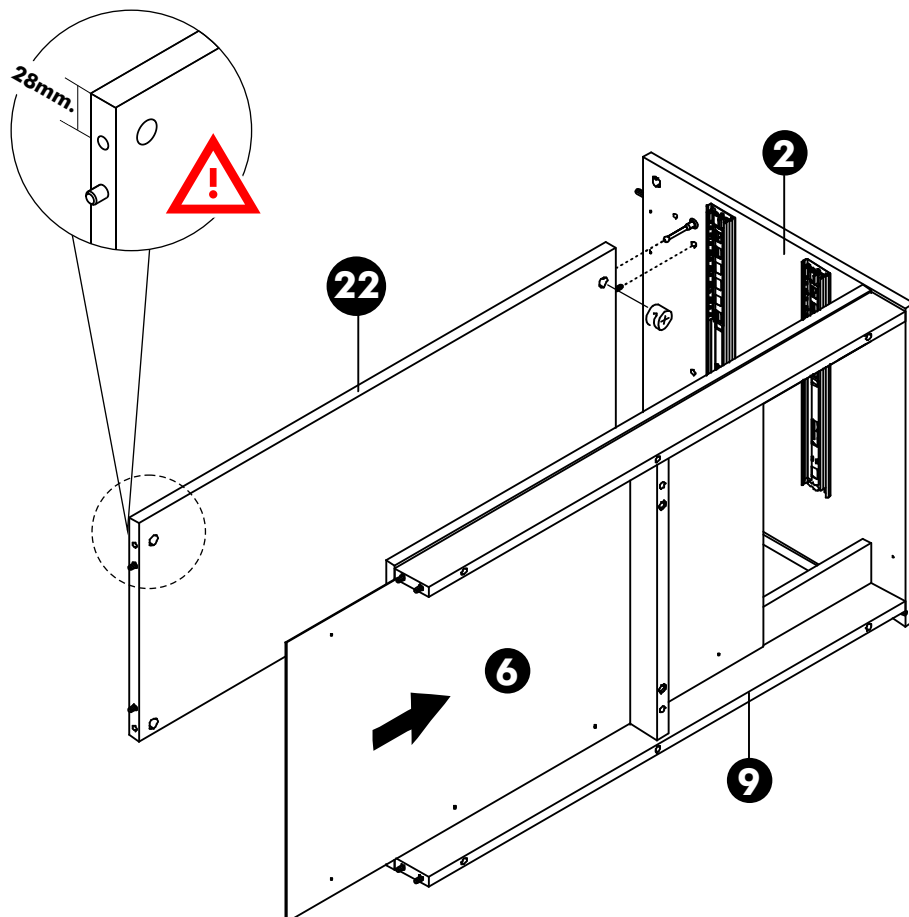
#M4x30(P)

x4

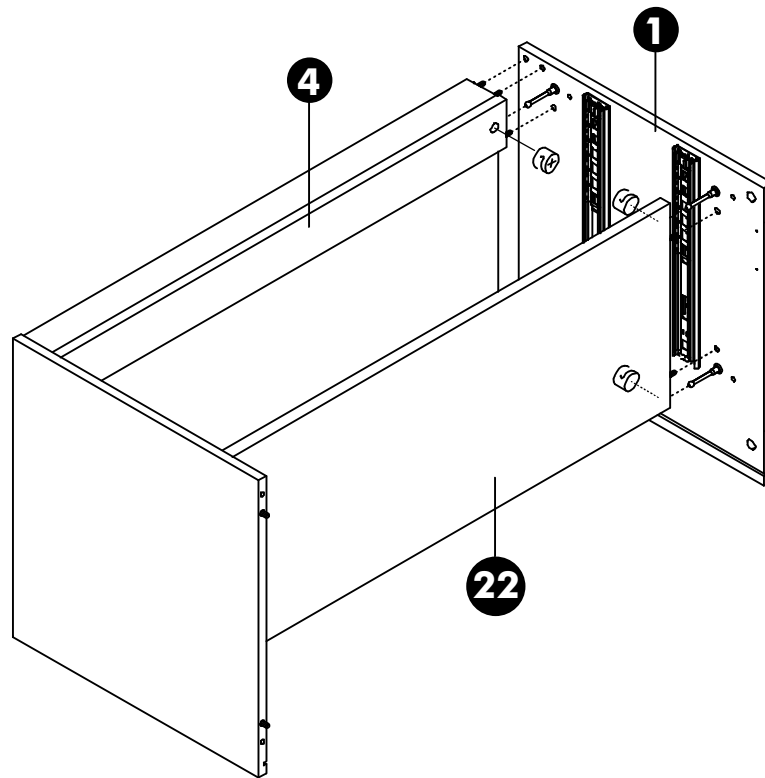
1.



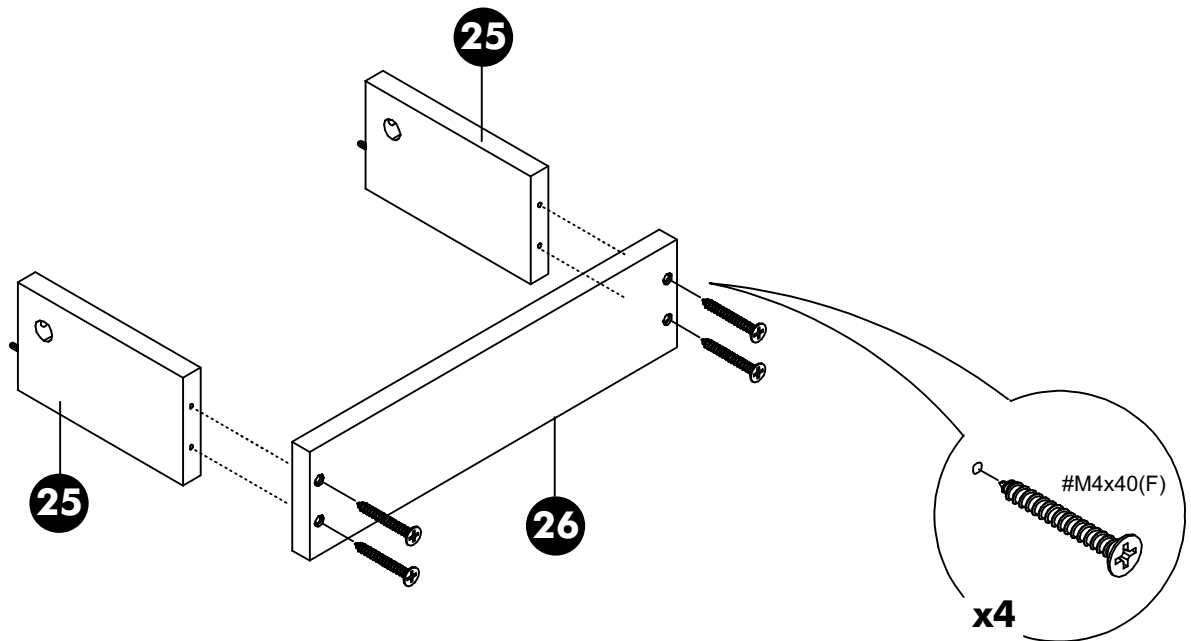
2.



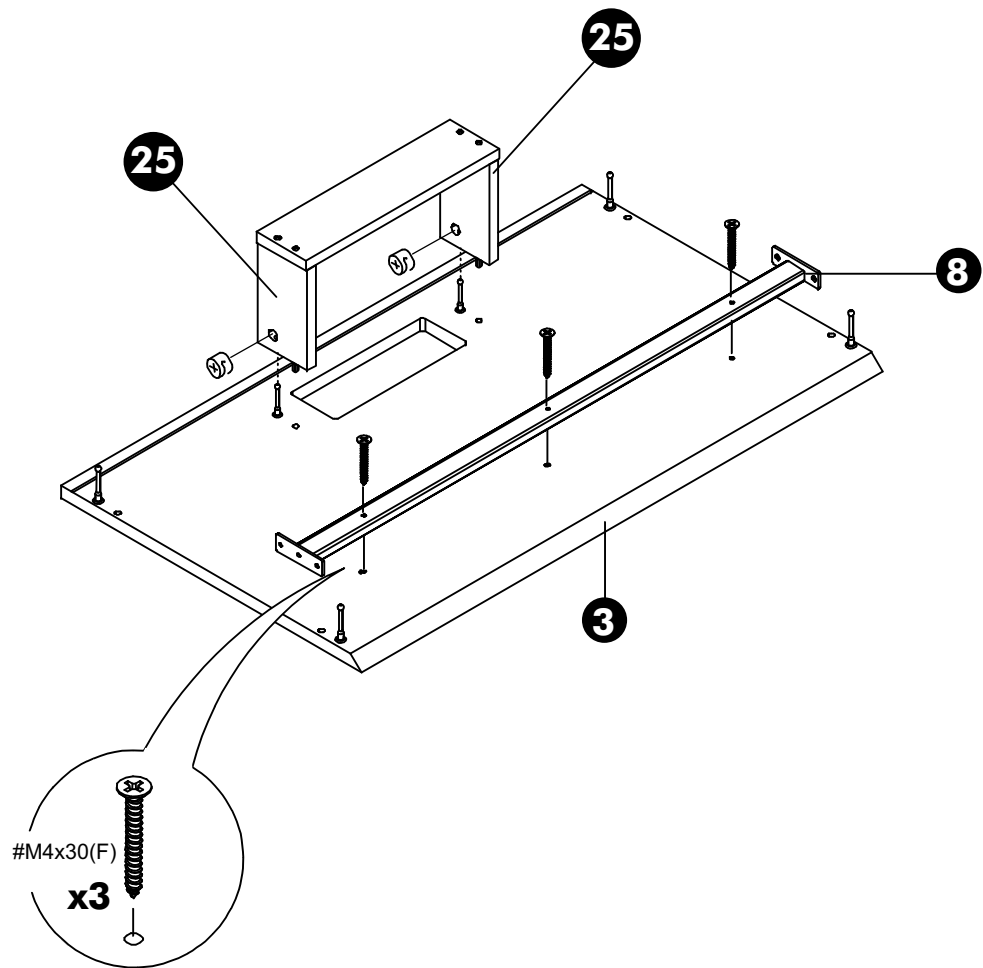
3.



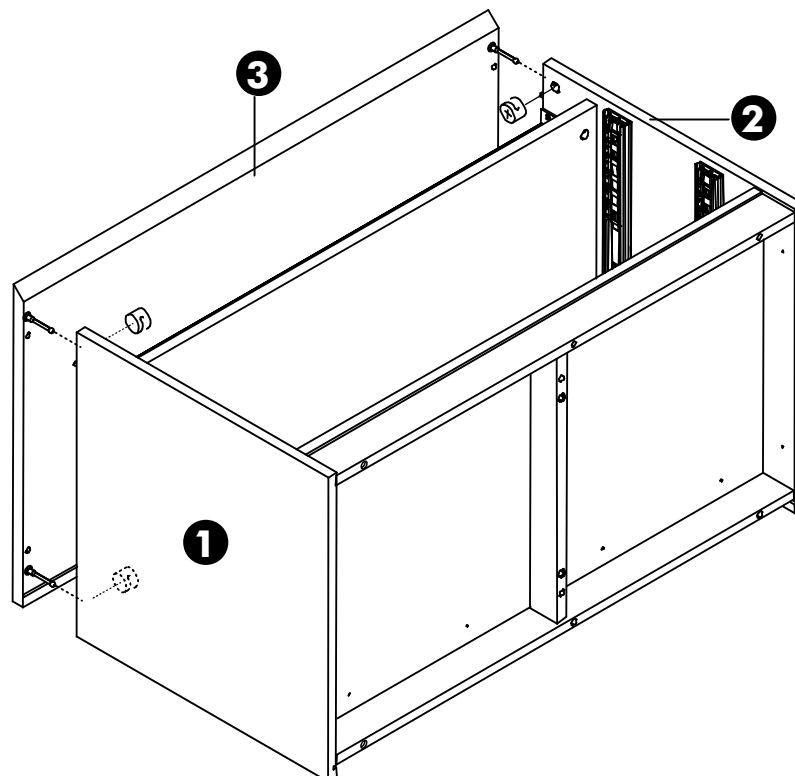
4.



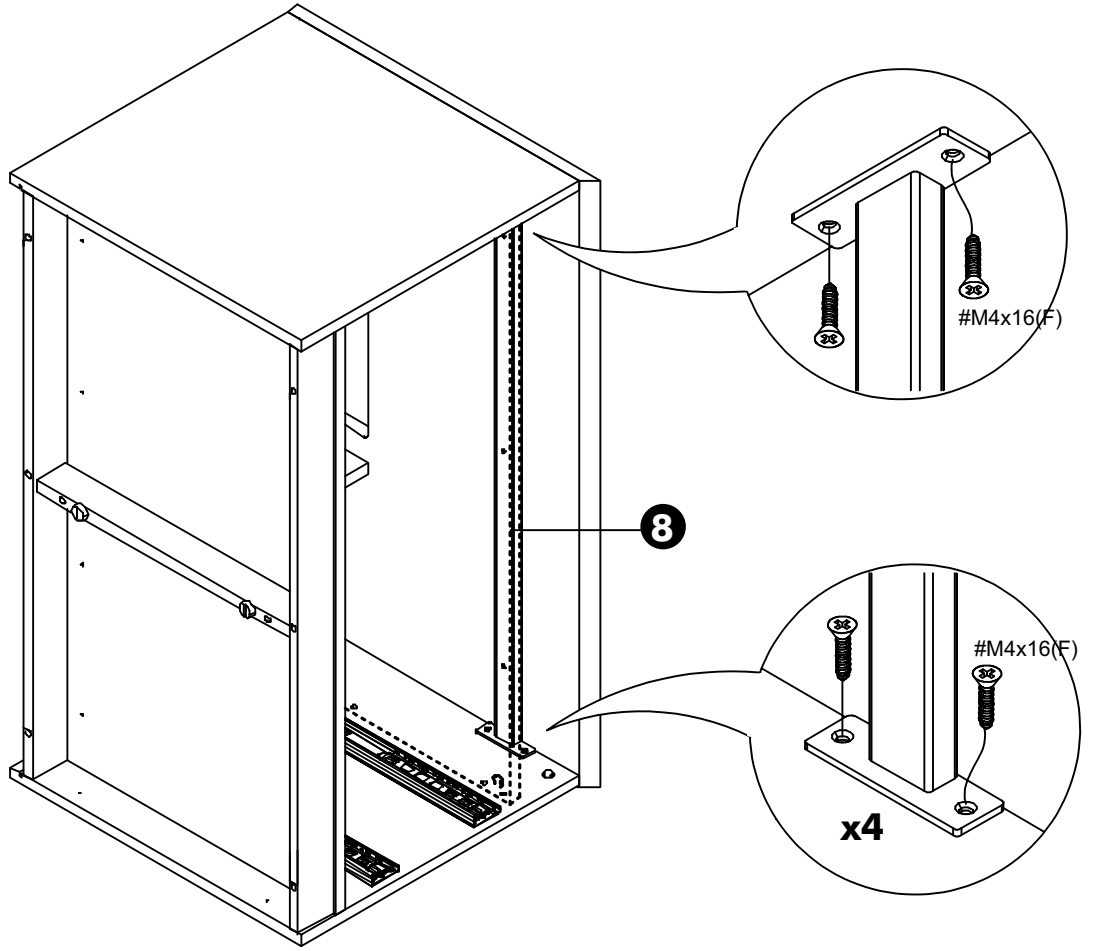
5.



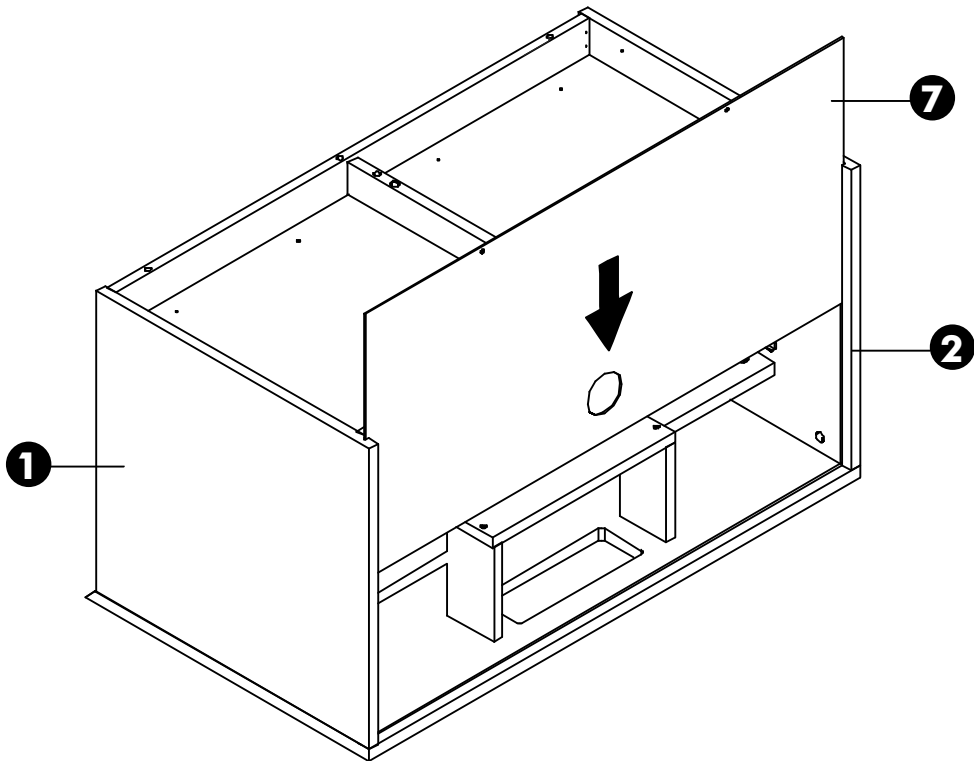
6.



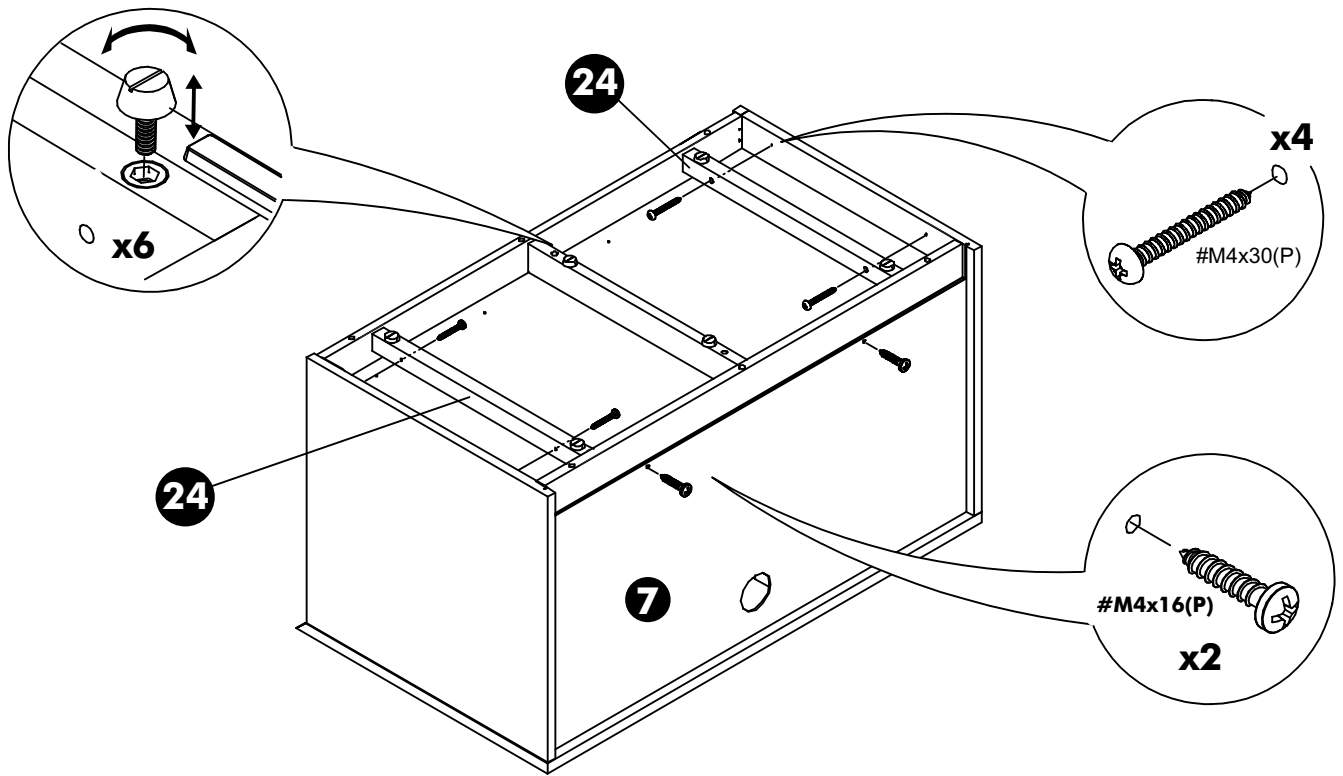
7.



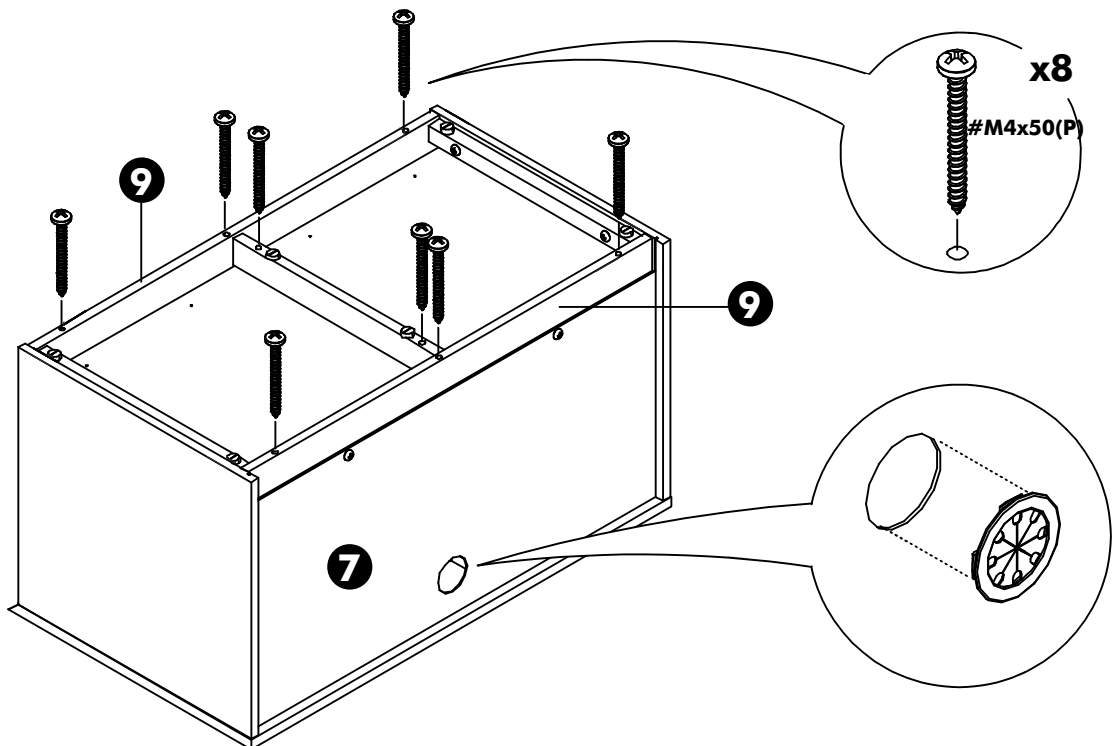
8.



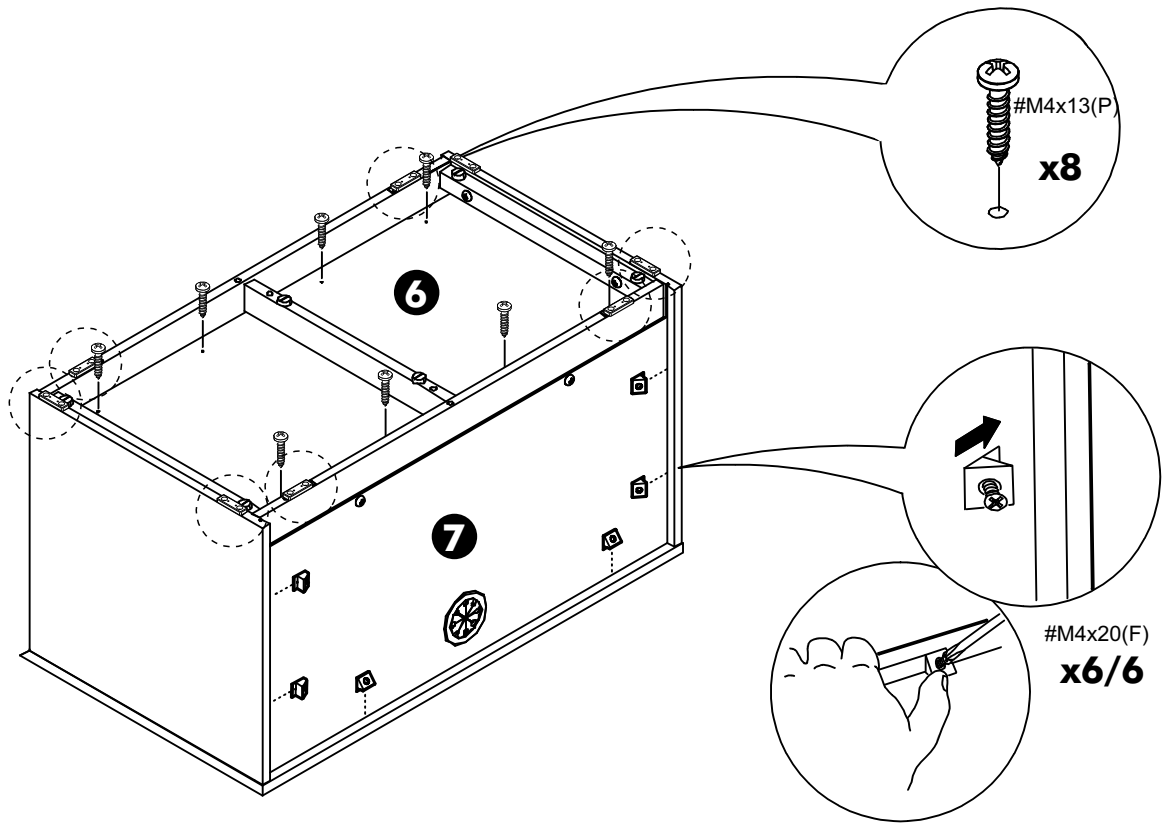
9.



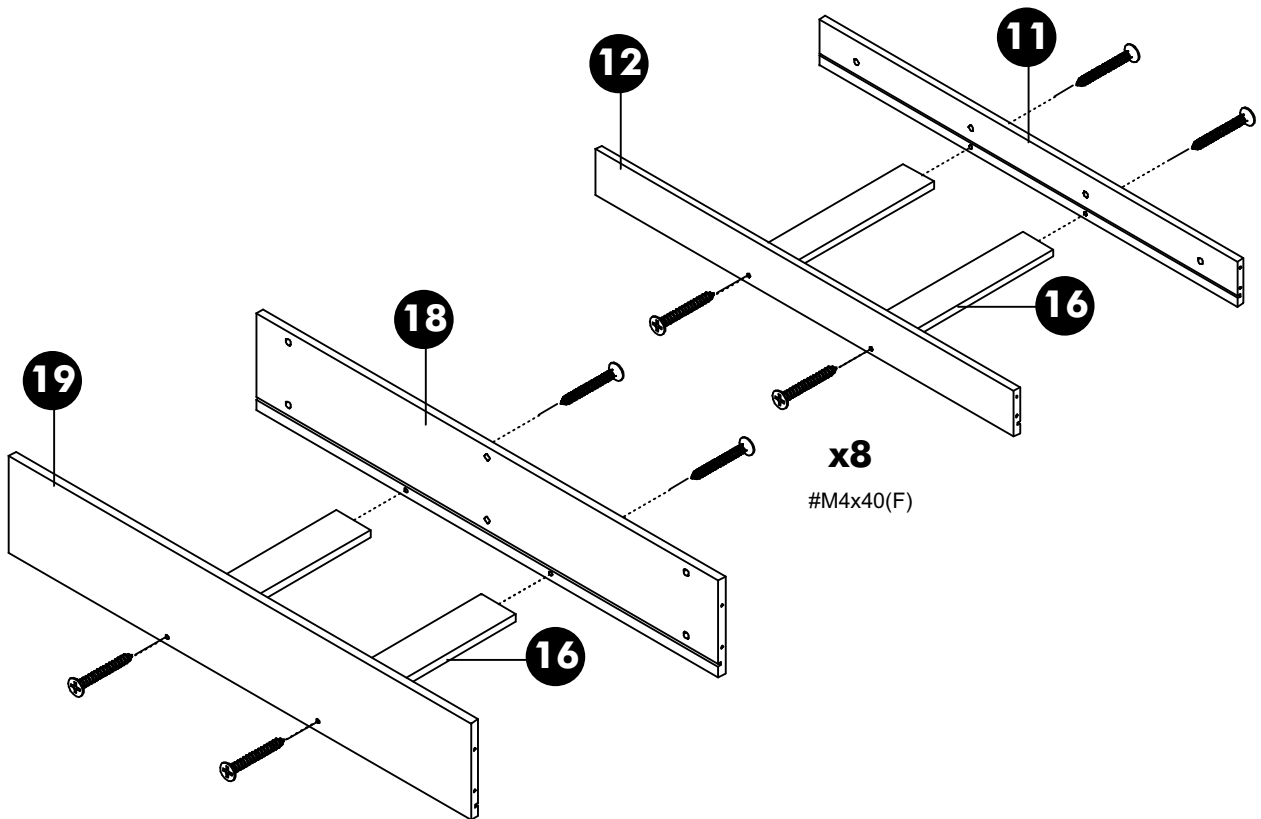
10.



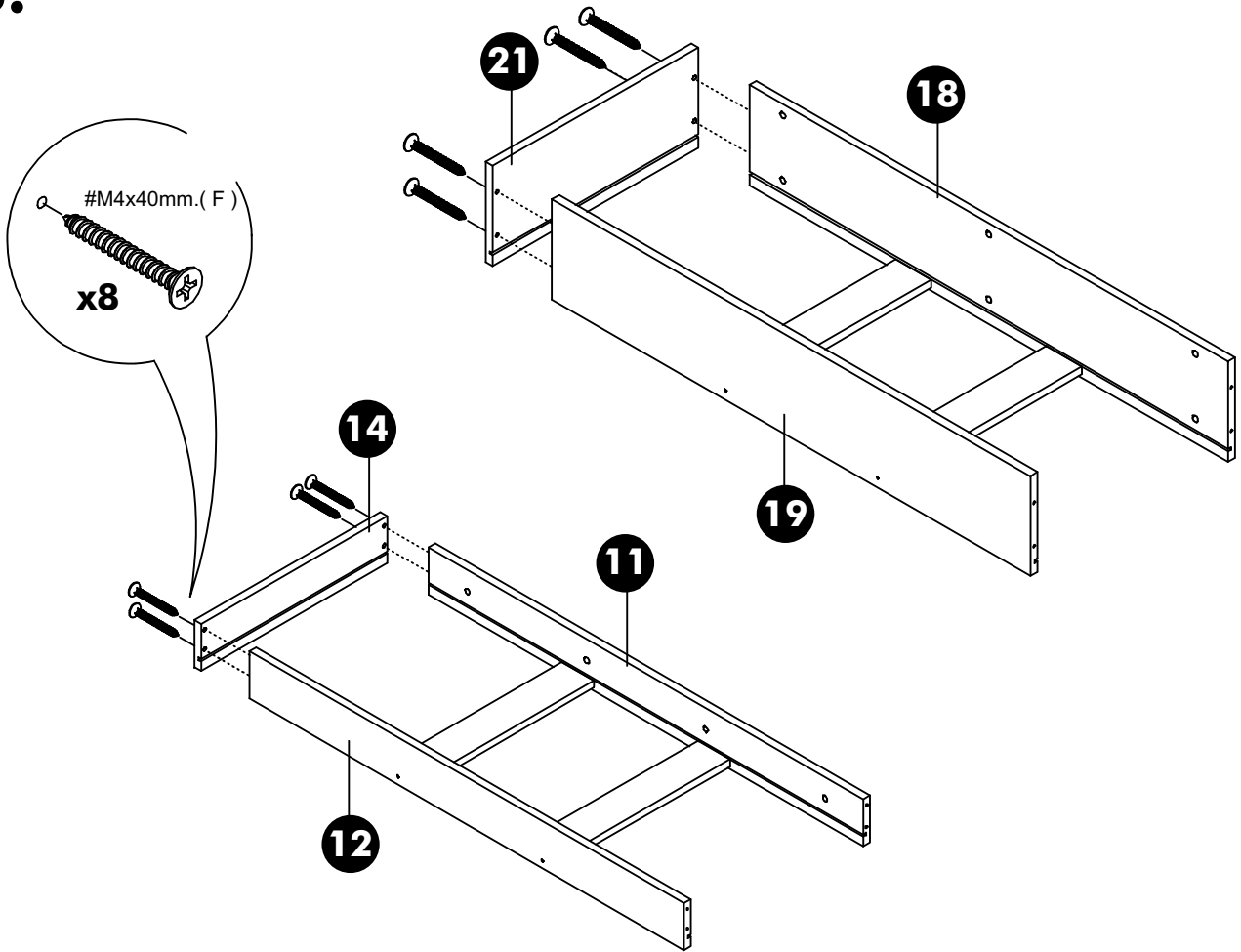
11.



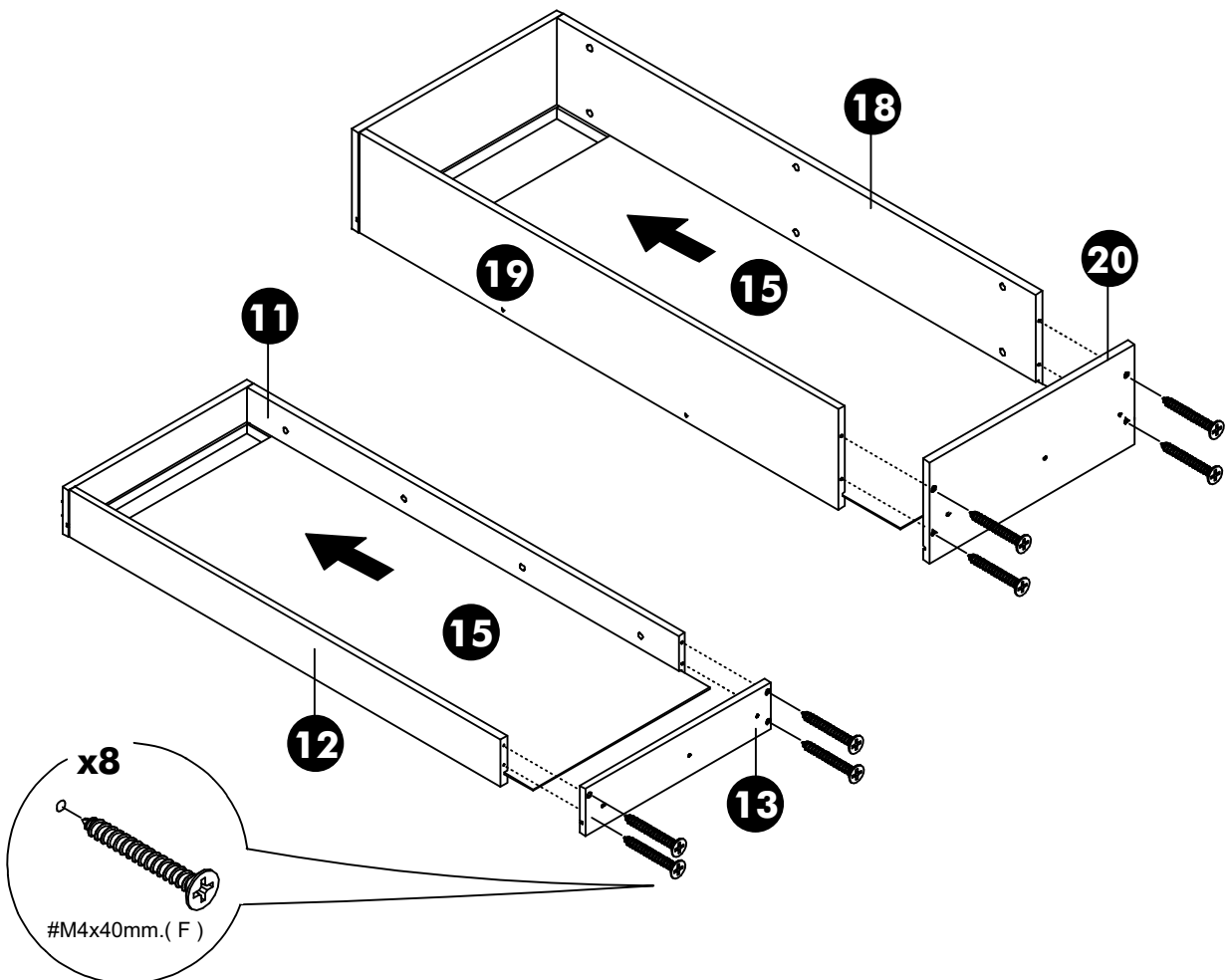
12.



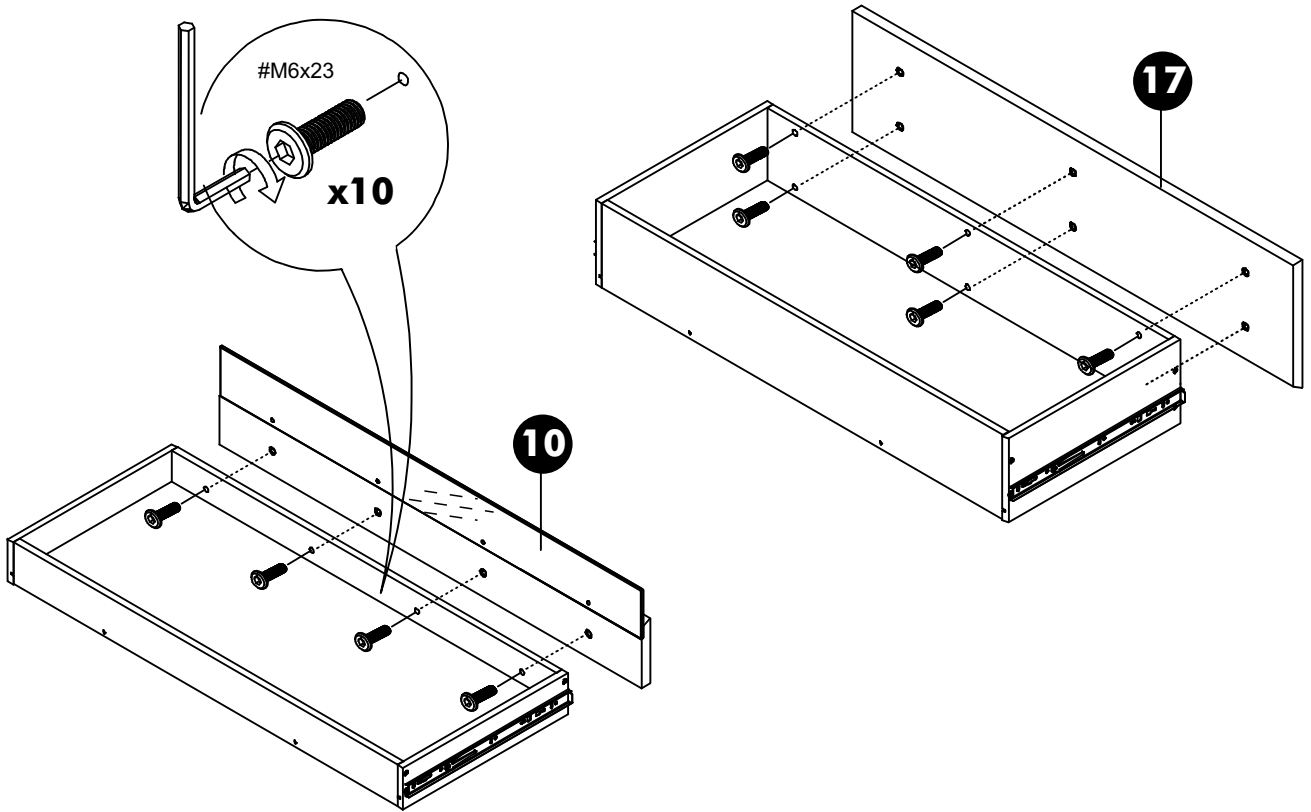
13.



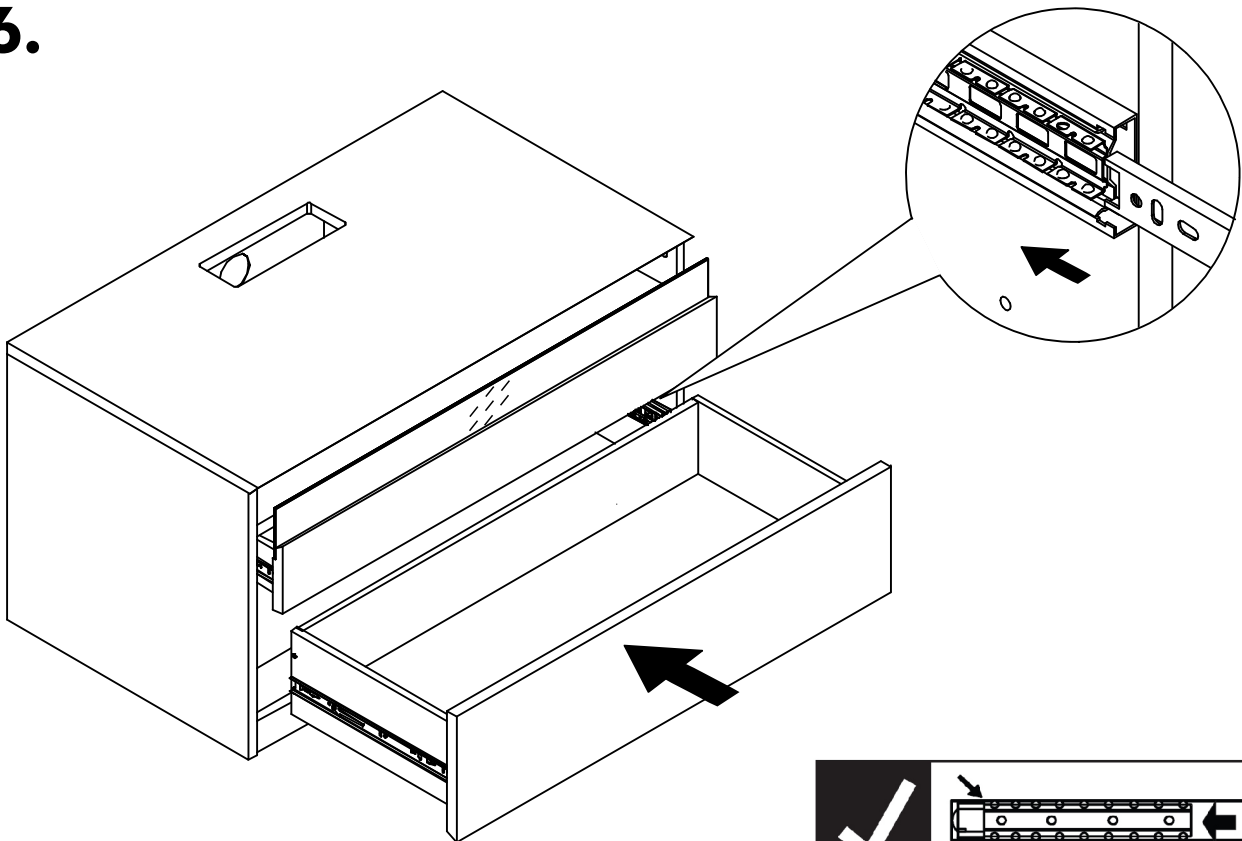
14.



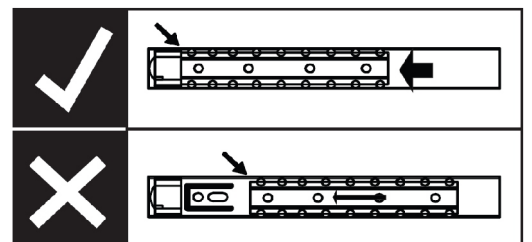
15.



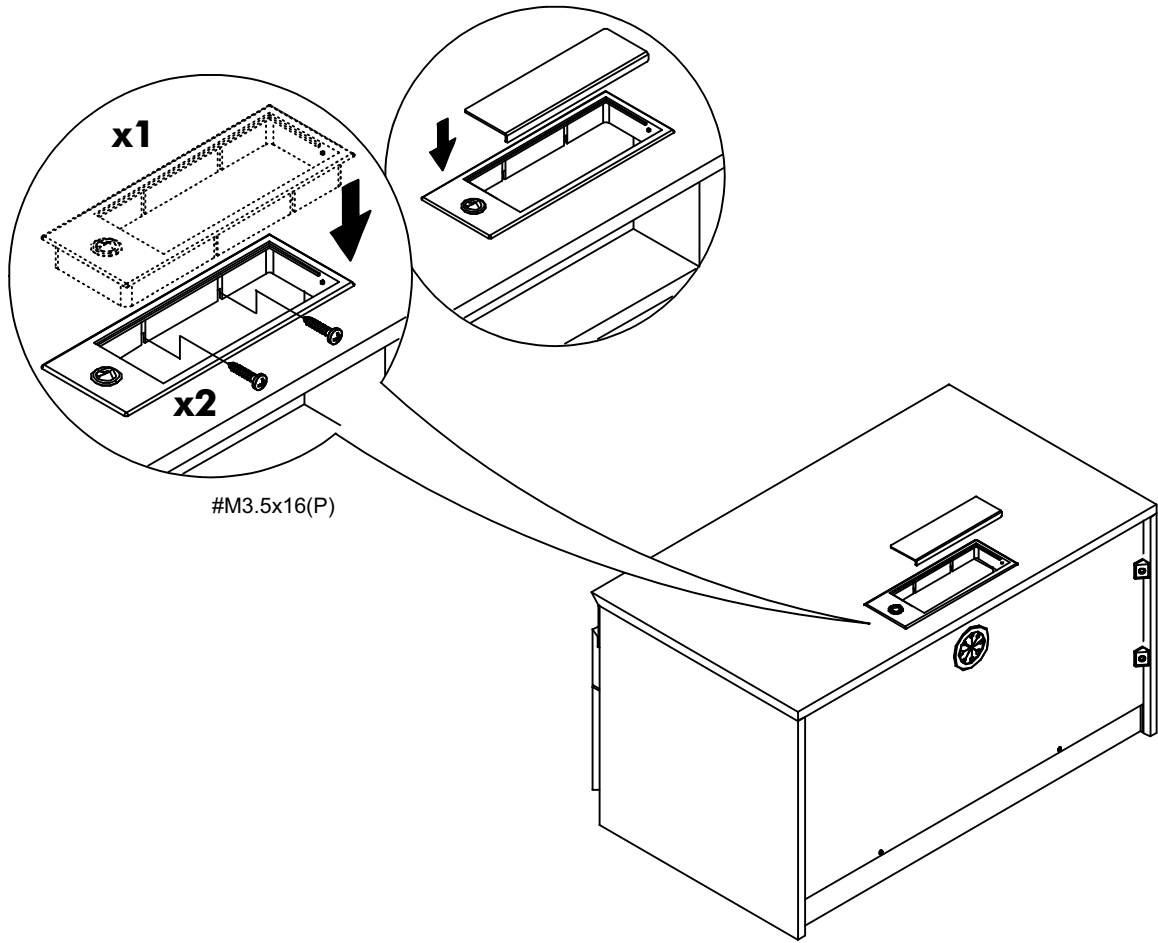
16.



NOTE: Make sure ball bearings of glides on unit are positioned toward the front of the unit prior to inserting the drawer.



17.





Ø 5 mm.

