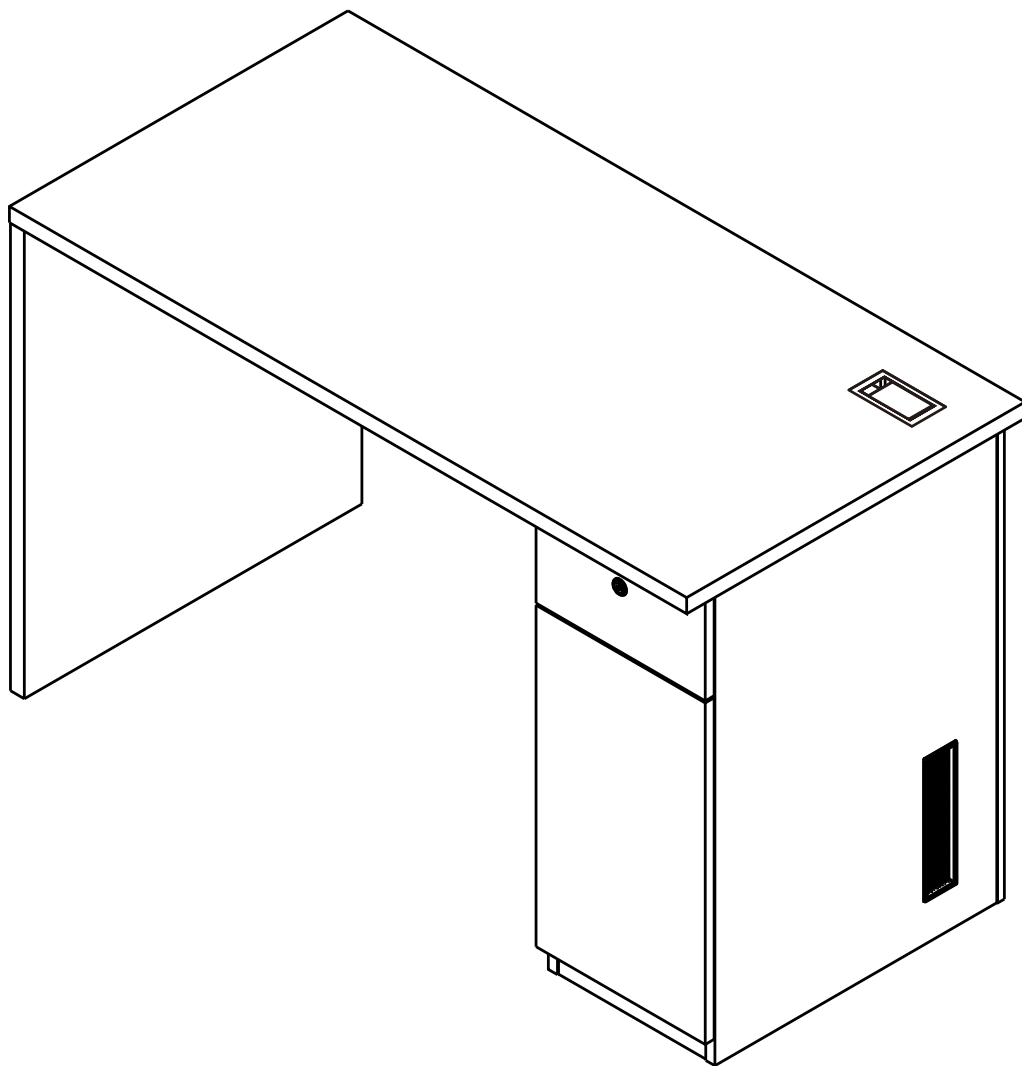
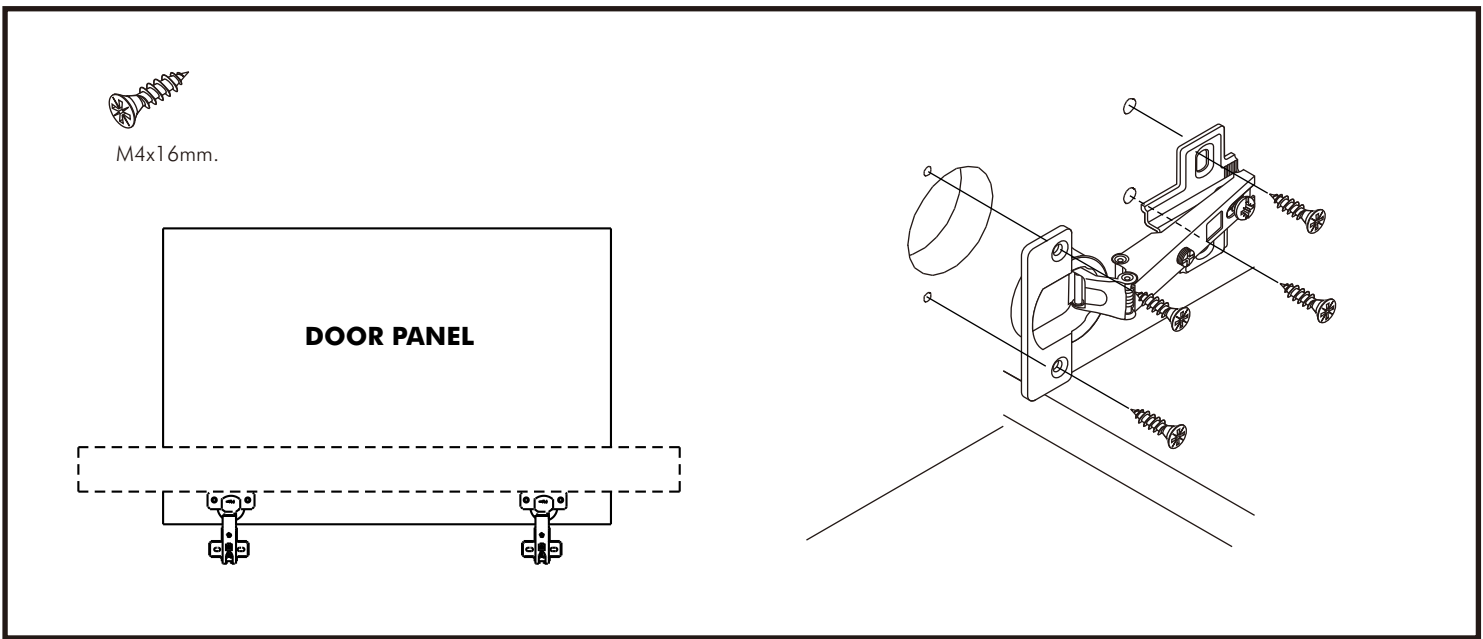
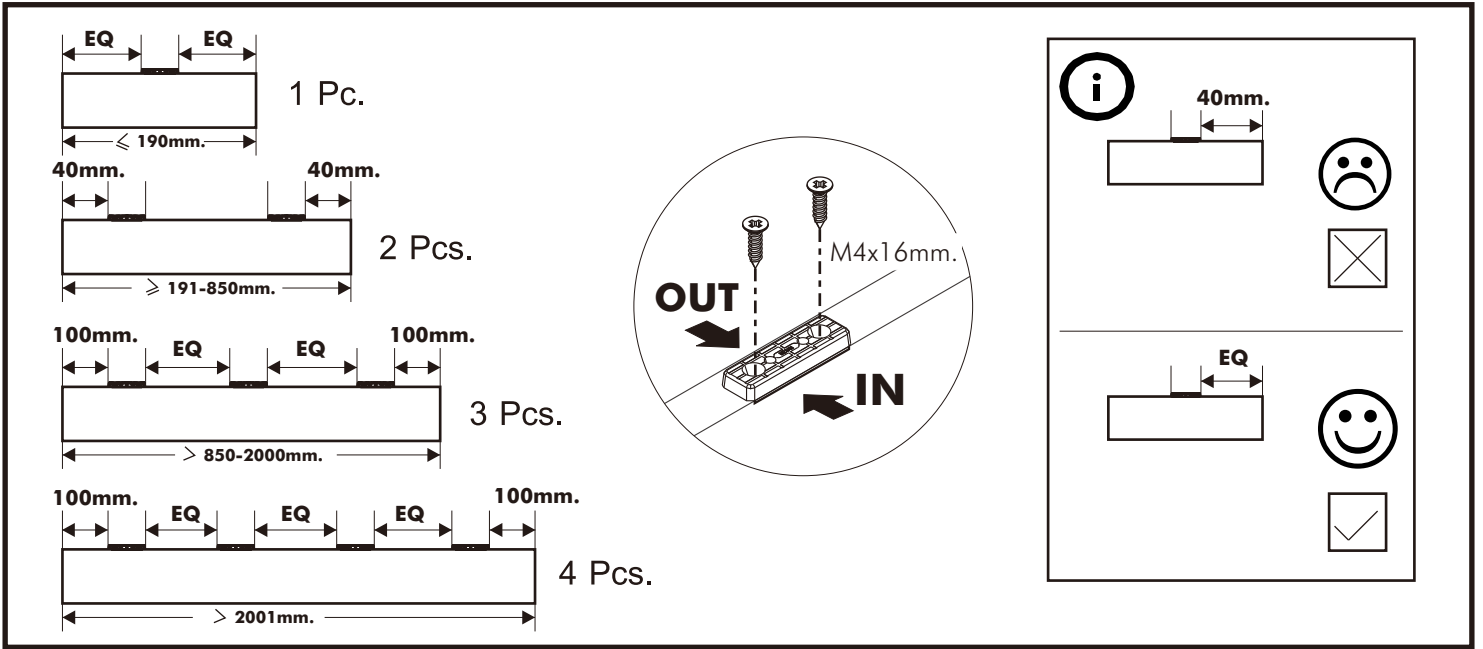
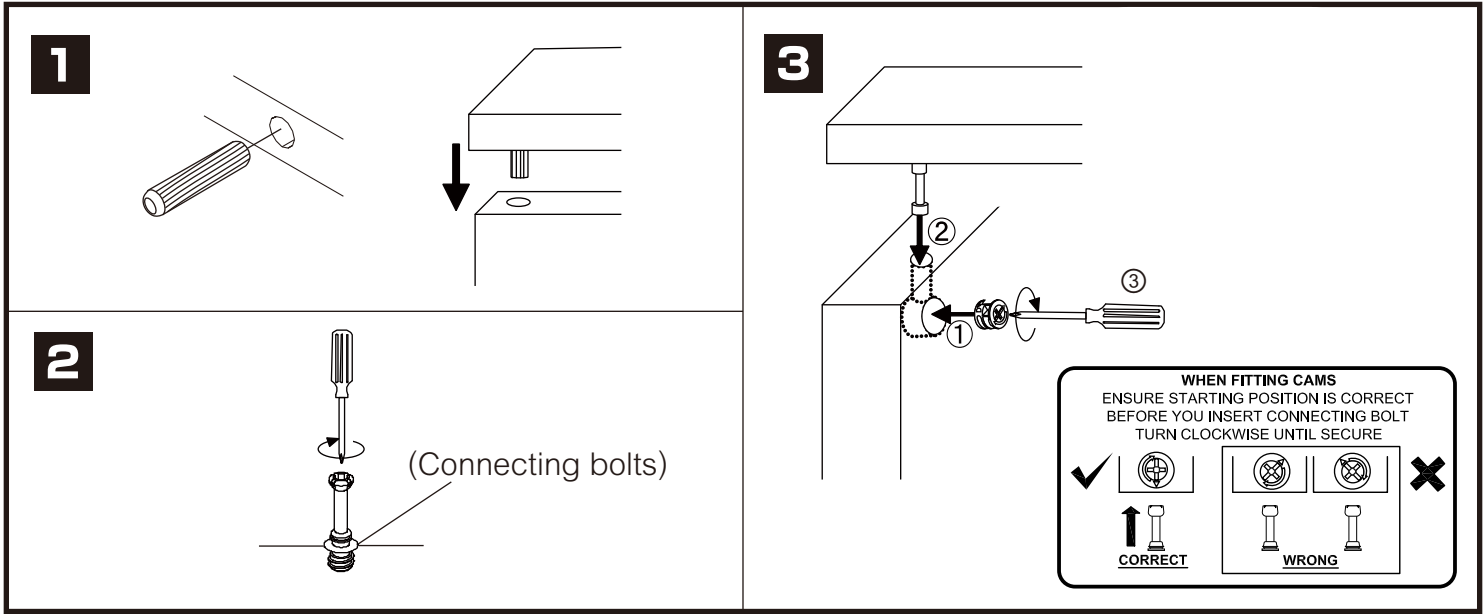


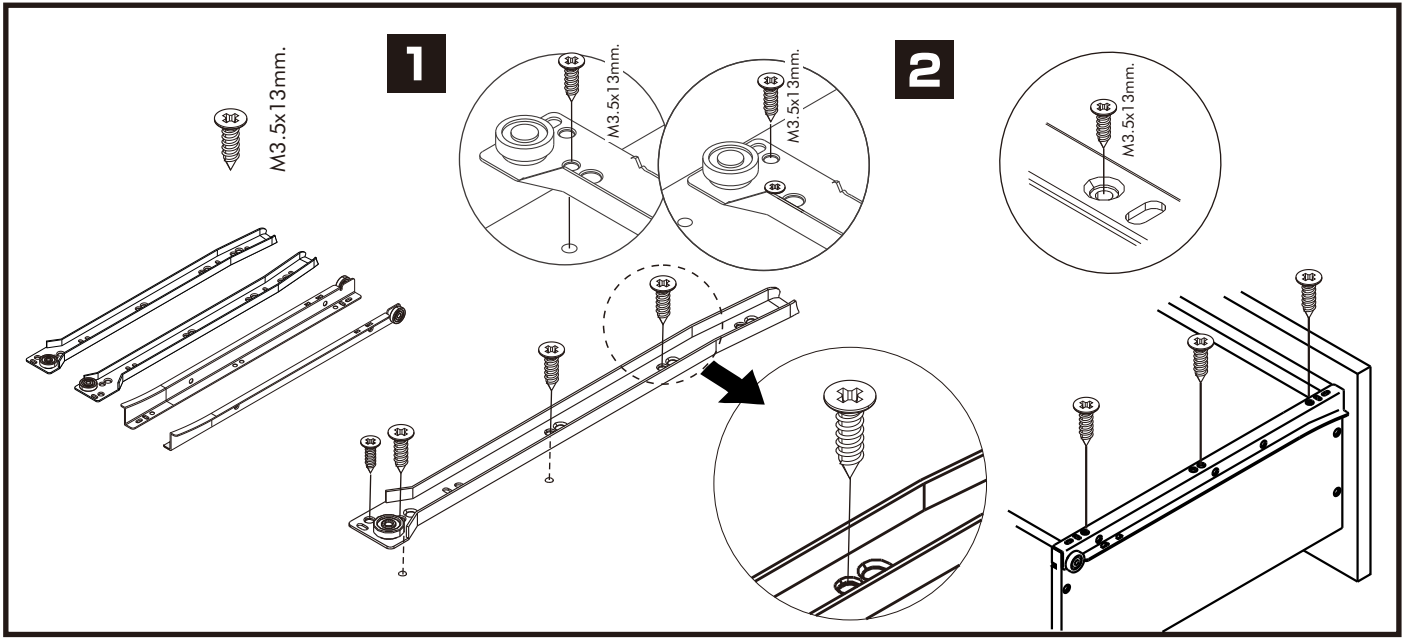
STYLO-P

Working table 120 cm.



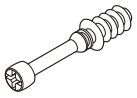
CONNECT SYSTEM





HARDWARE

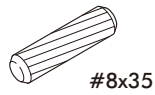
-BODY SET



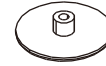
x 23



x 23



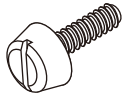
x 24



x 6



x 1



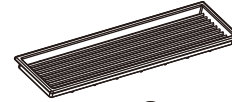
x 6



x 4



x 3



x 2



x 1



x 2



x 2



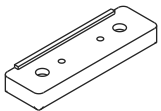
x 4



x 4



x 2



x 4

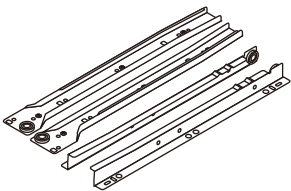


x 8

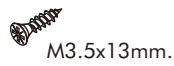


x 4

-DRAWER SET



x 1



x 14



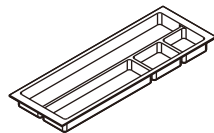
x 8



x 2



x 1

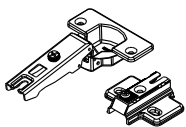


x 1



x 4

-DOOR SET



x 2

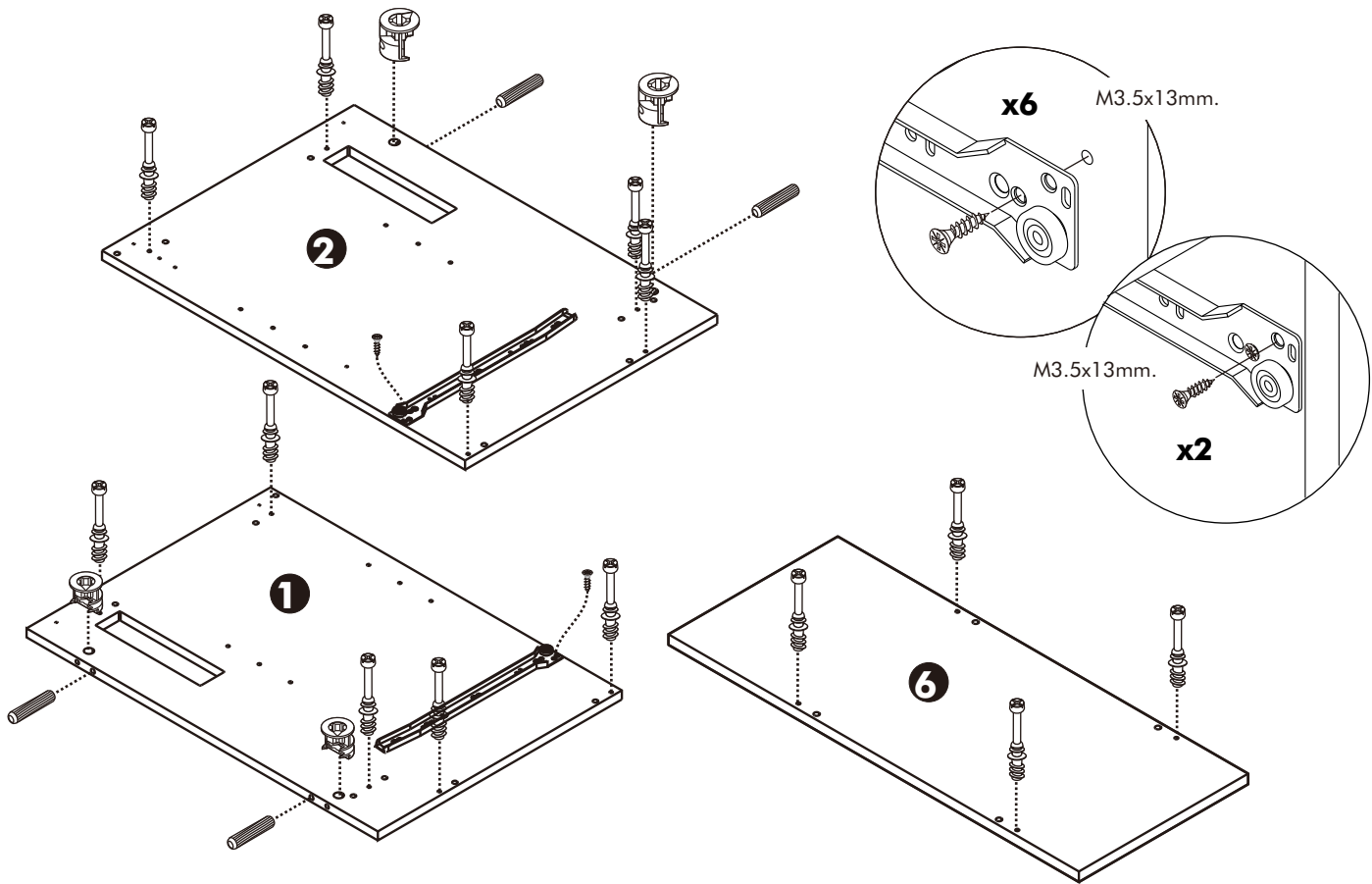



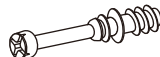

x 8



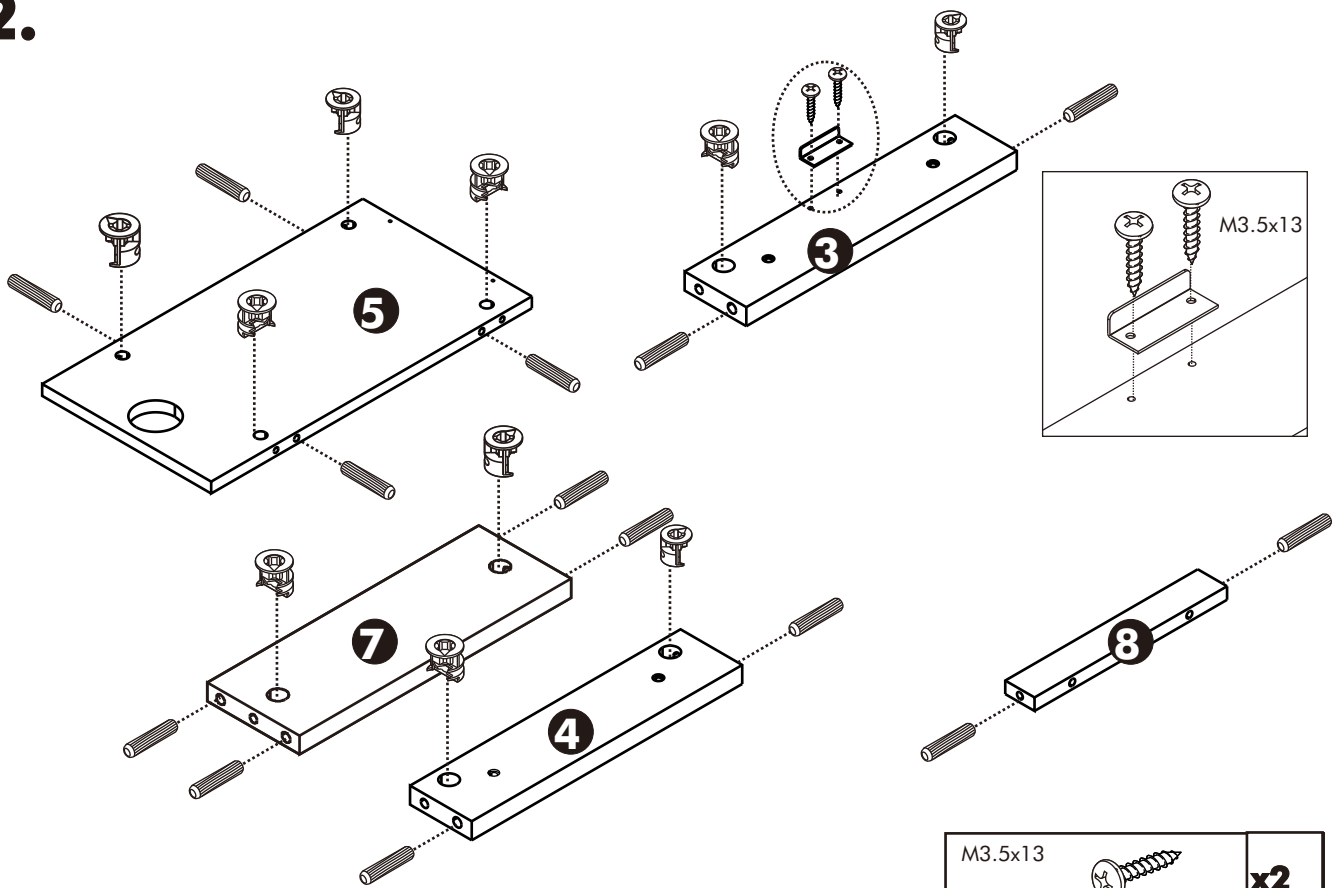
x 2





1.



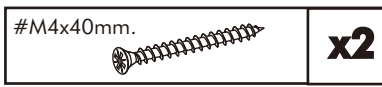
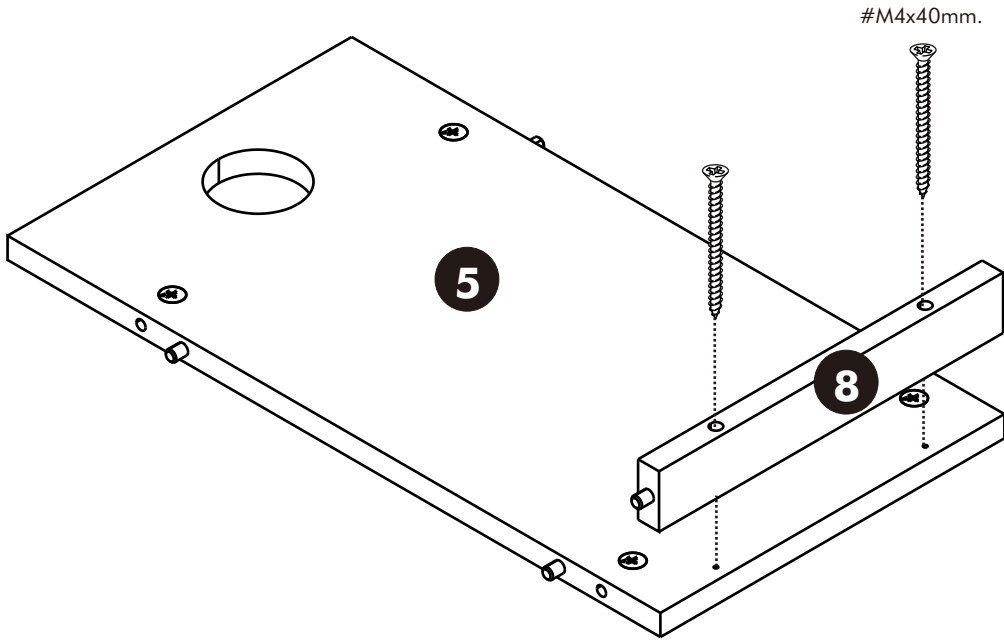
	x4		x14		x4
---	-----------	---	------------	--	-----------

2.

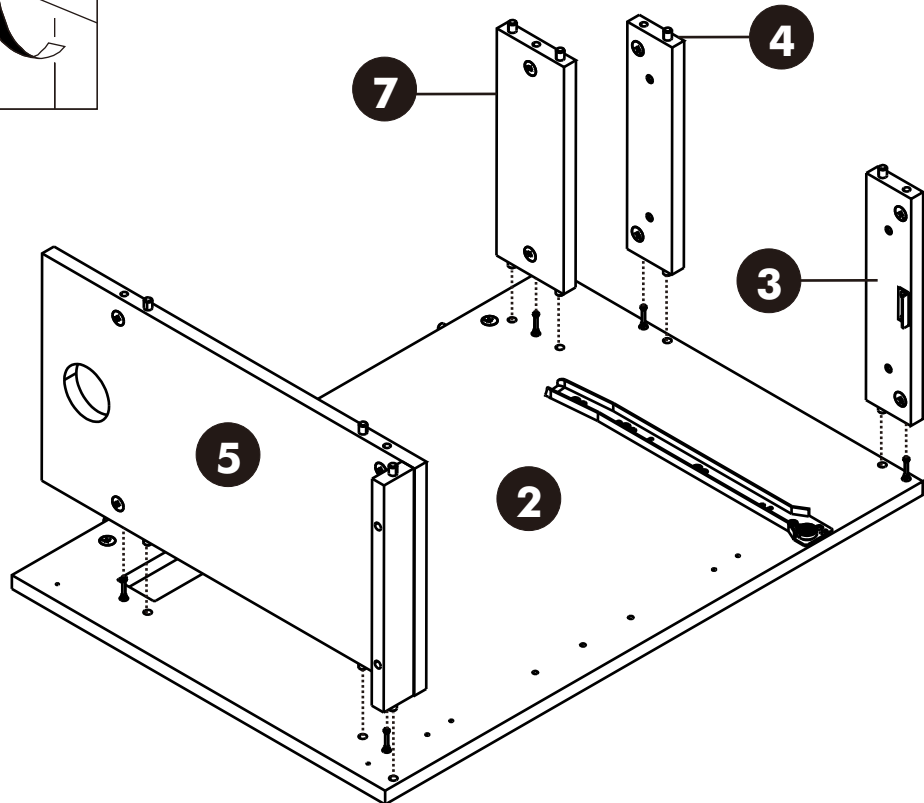
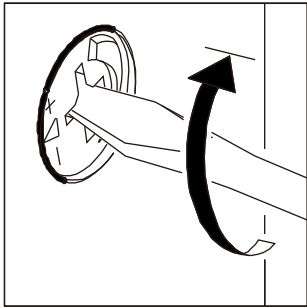


	x10		x2		x14		x1
---	------------	---	-----------	---	------------	---	-----------

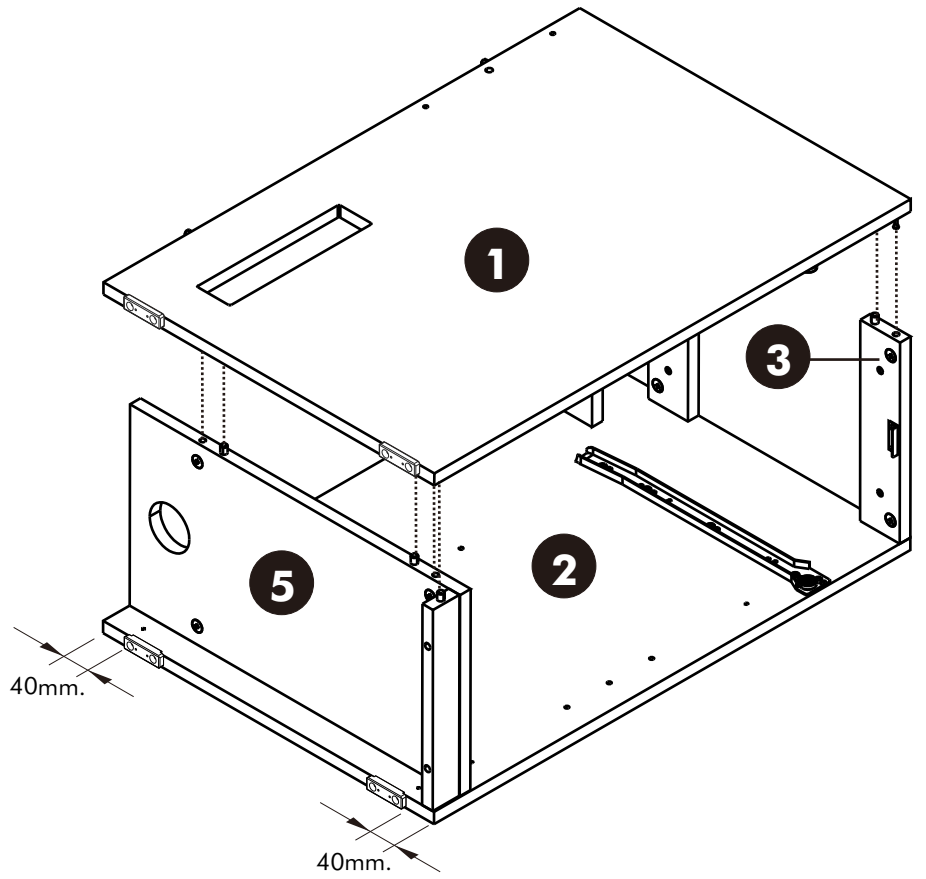
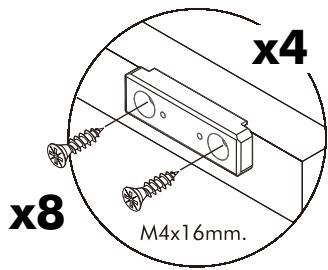
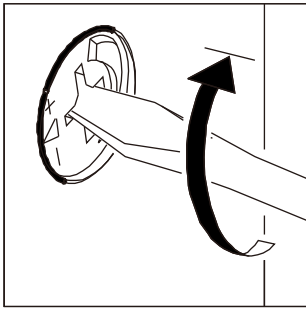
3.



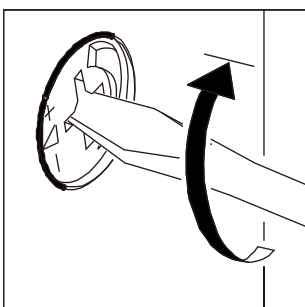
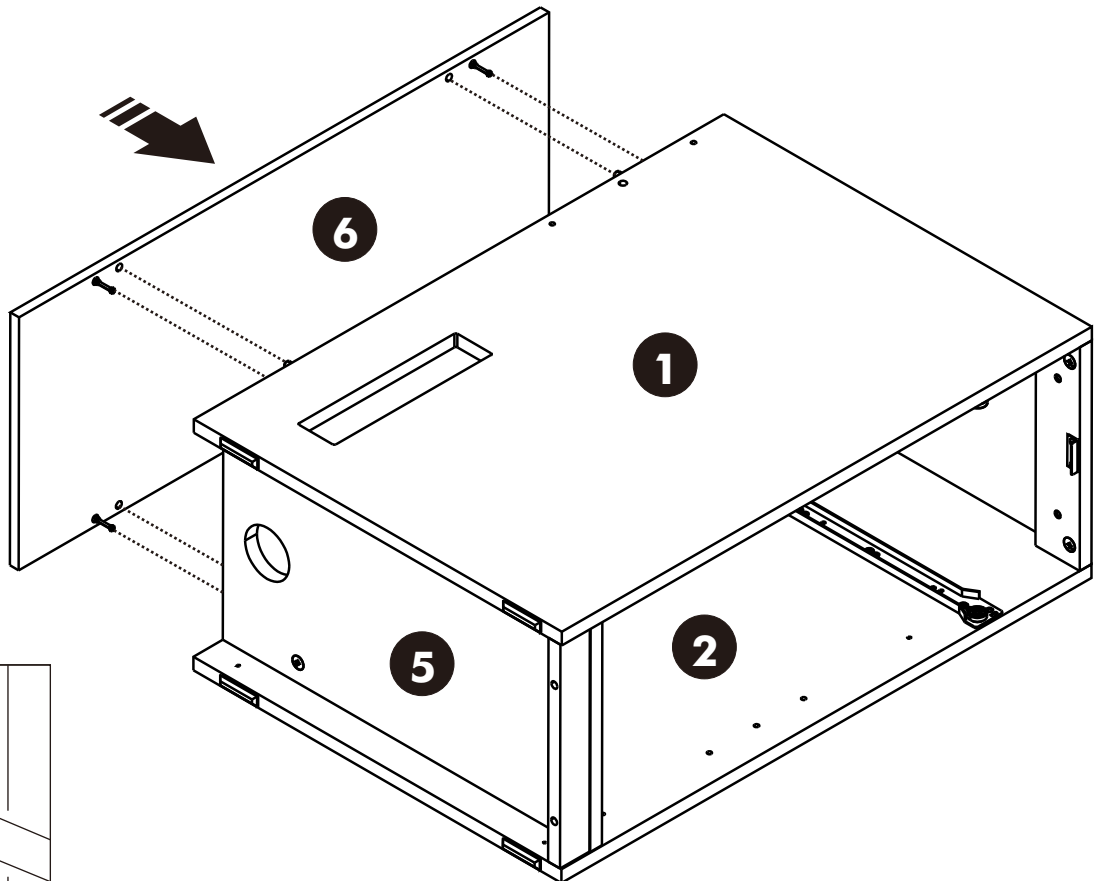
4.



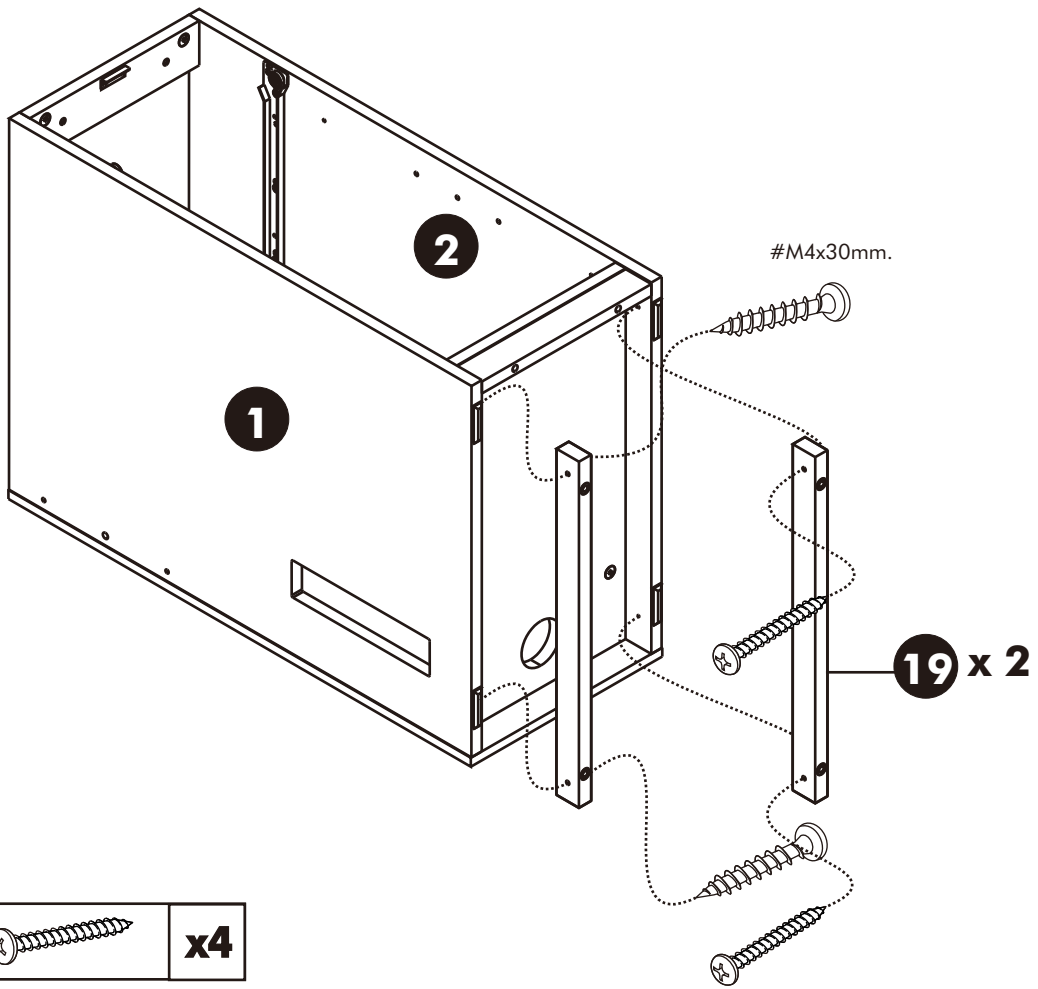
5.



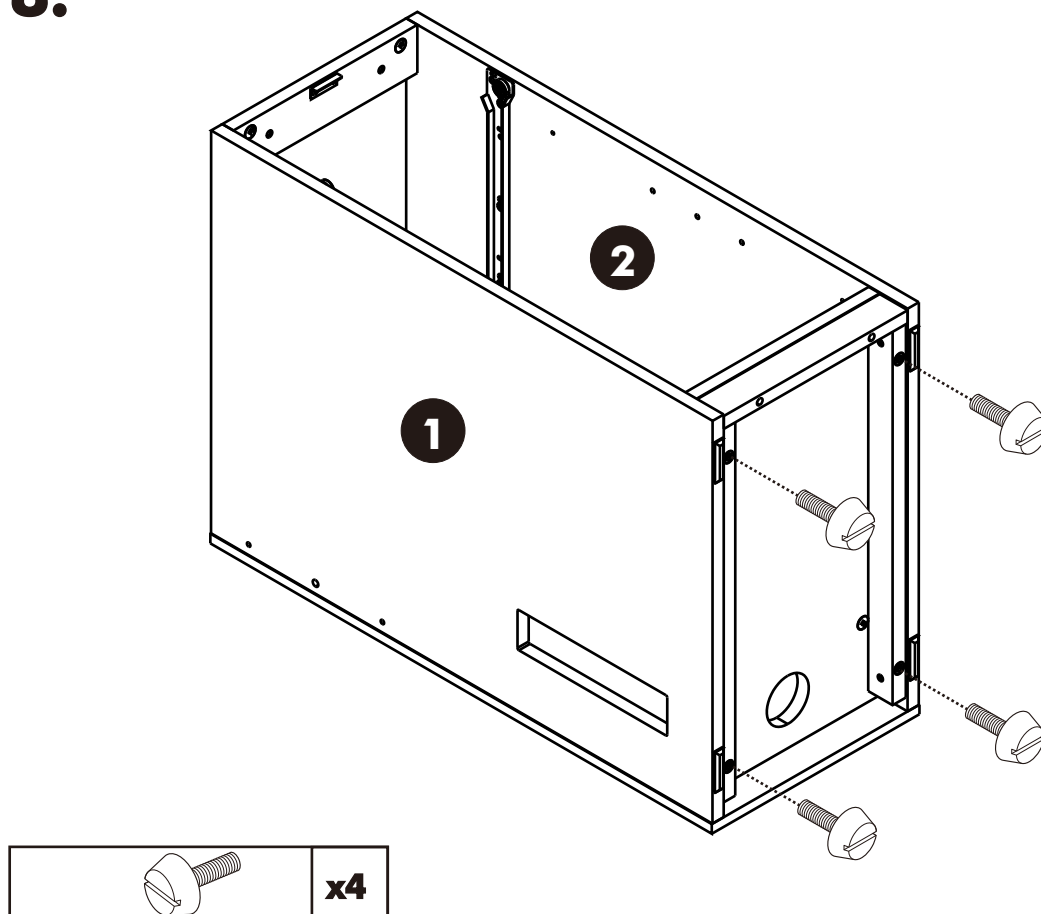
6.



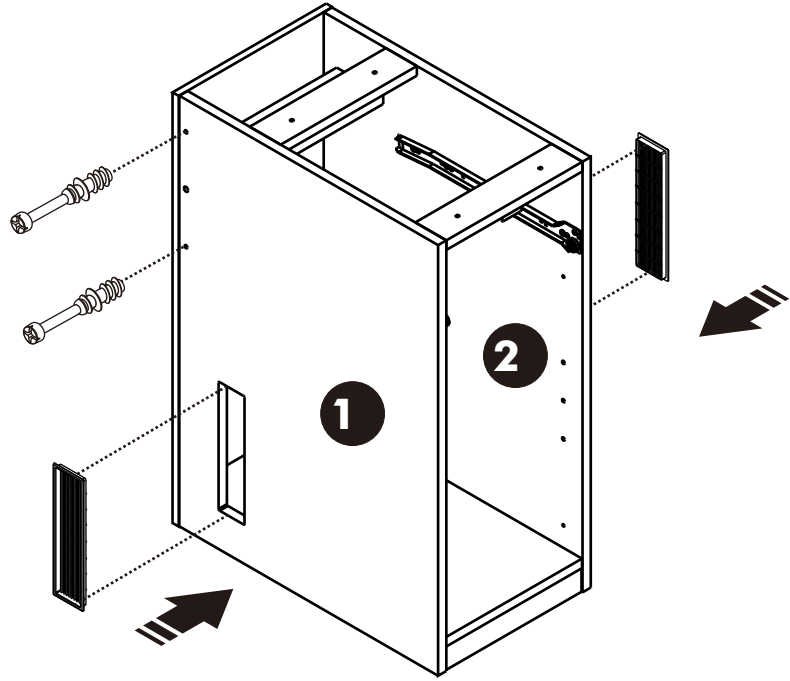
7.

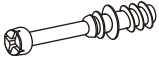
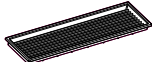


8.

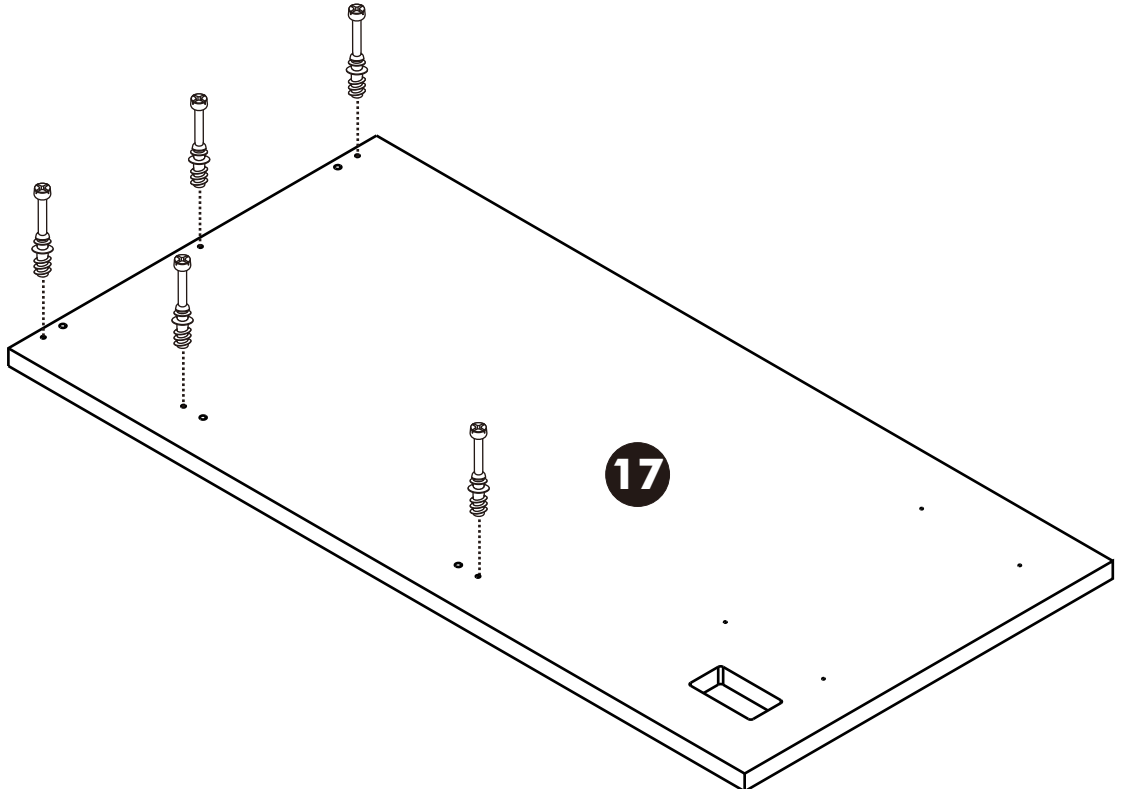


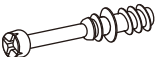
9.



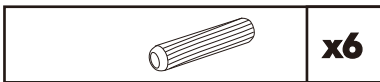
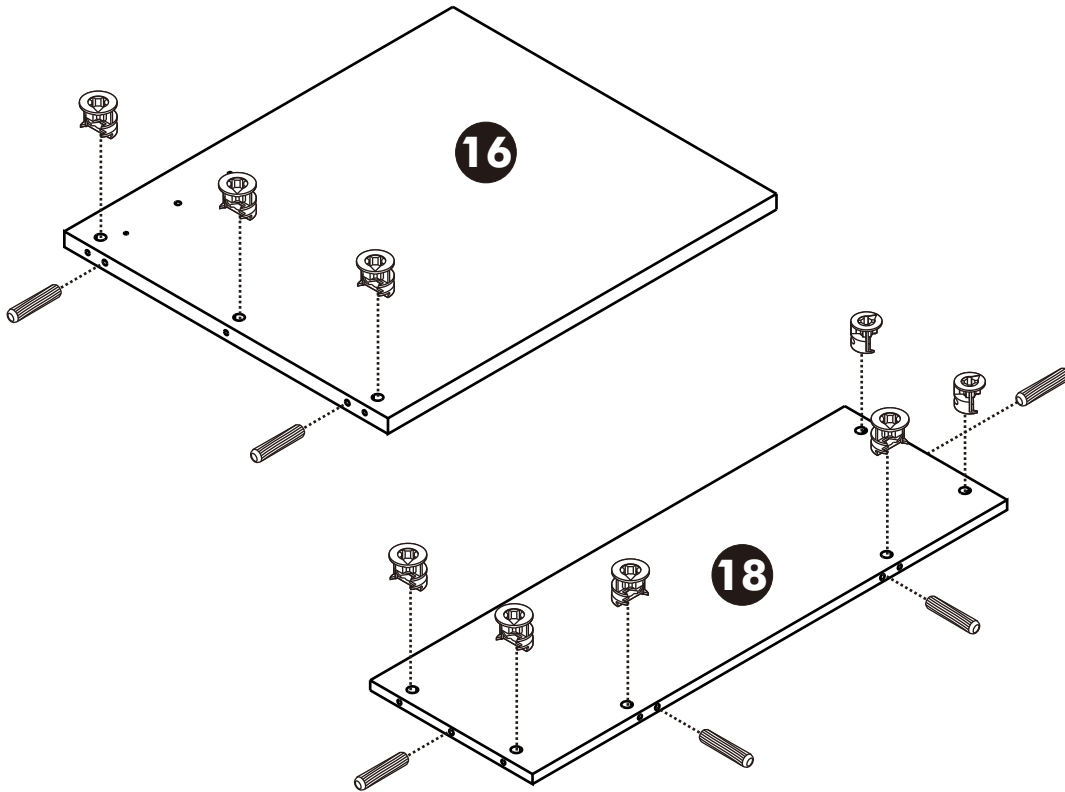
	x2
	x2

10.

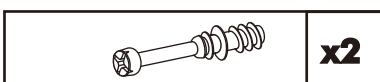
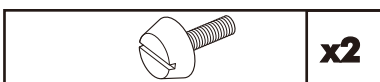
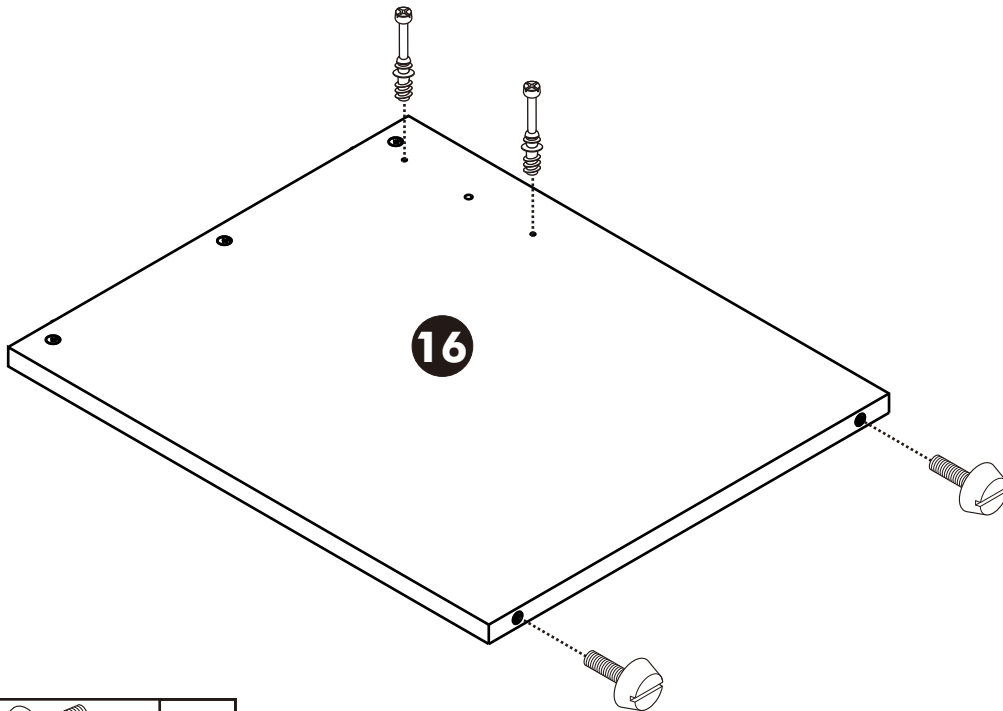


	x5
---	-----------

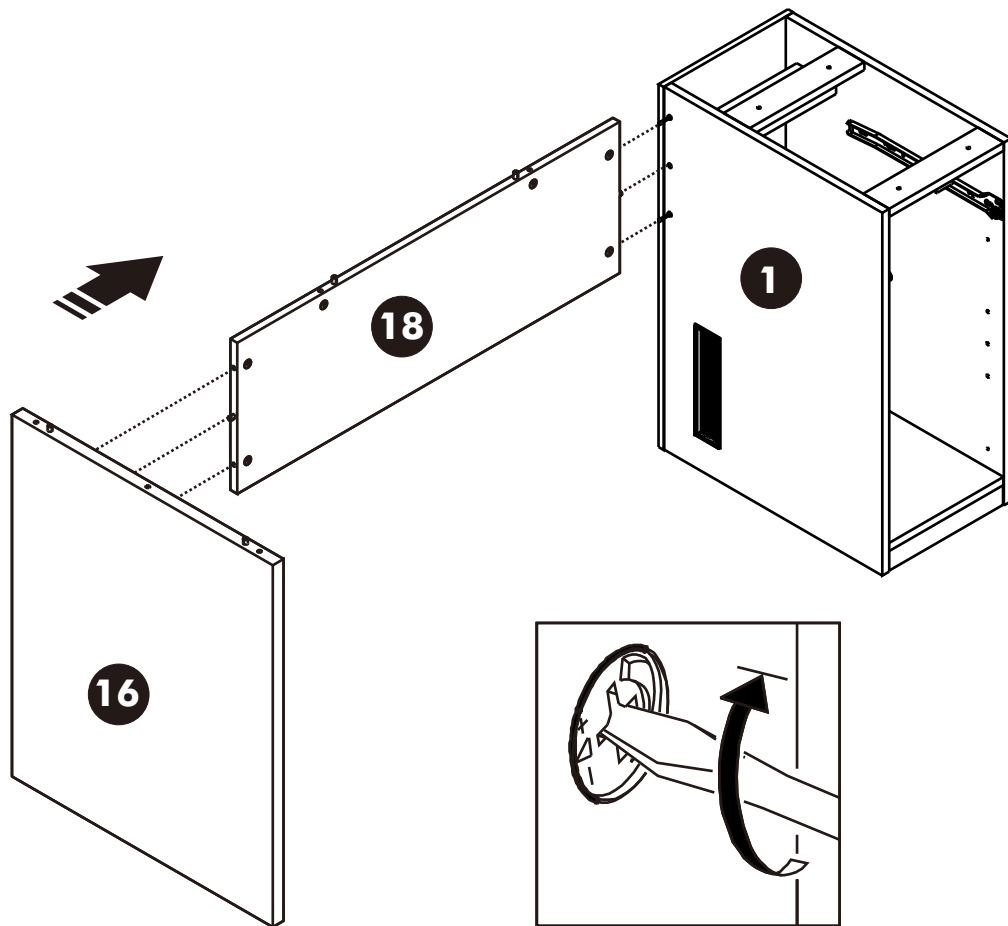
11.



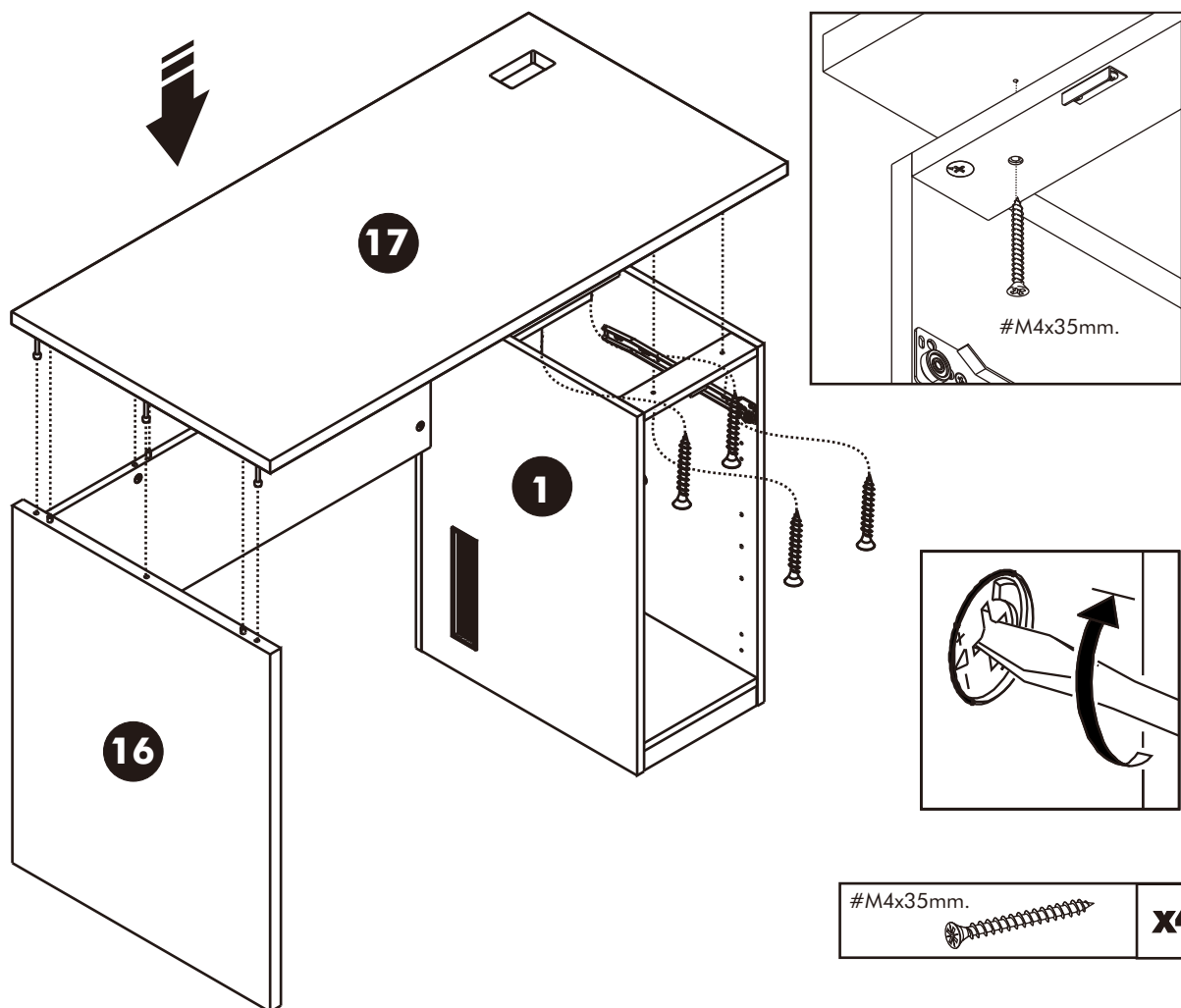
12.



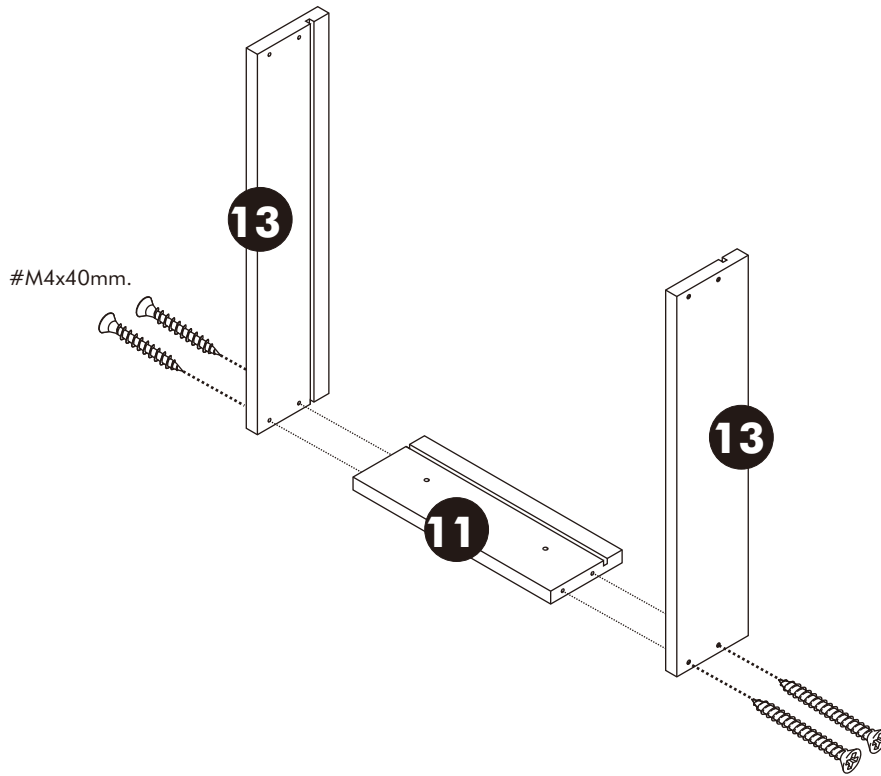
13.




14.

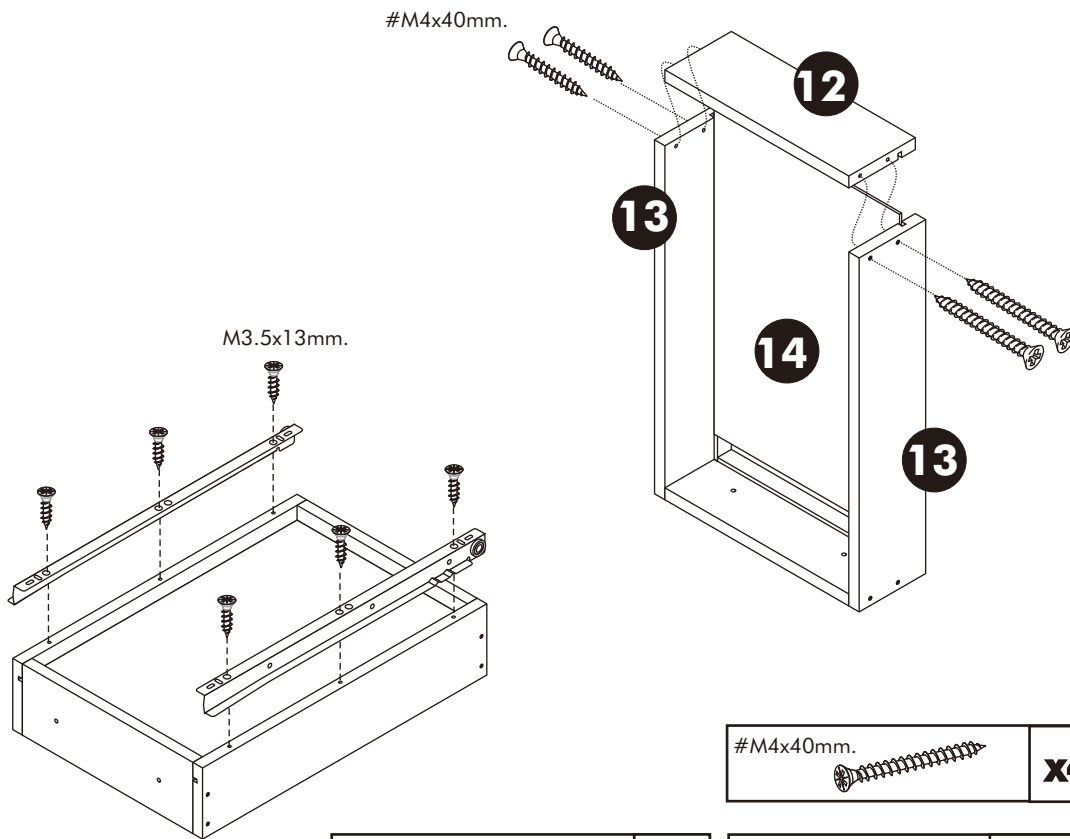



15.

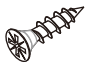


#M4x40mm.		x4
-----------	---	-----------

16.

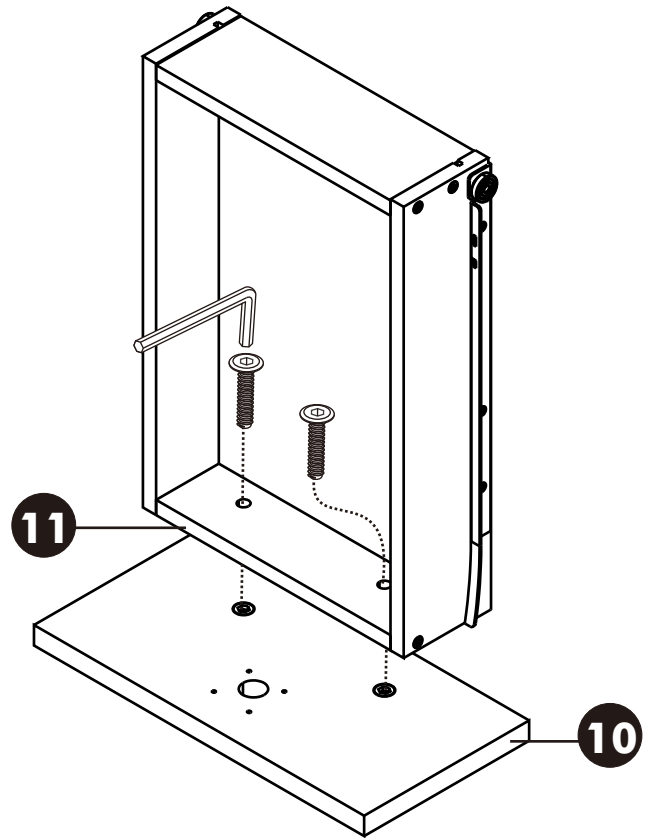
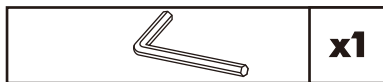
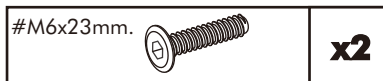
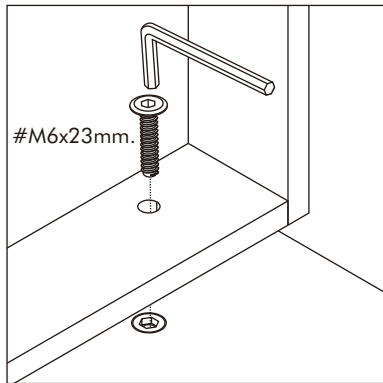


#M4x40mm.		x4
-----------	---	-----------

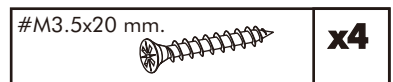
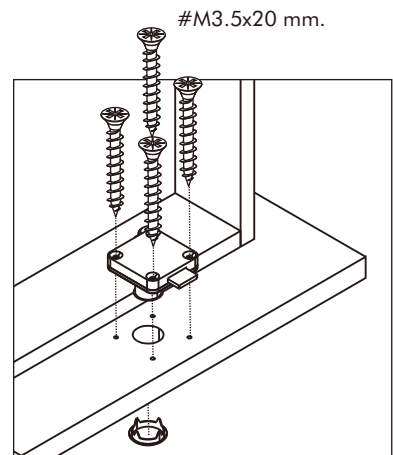
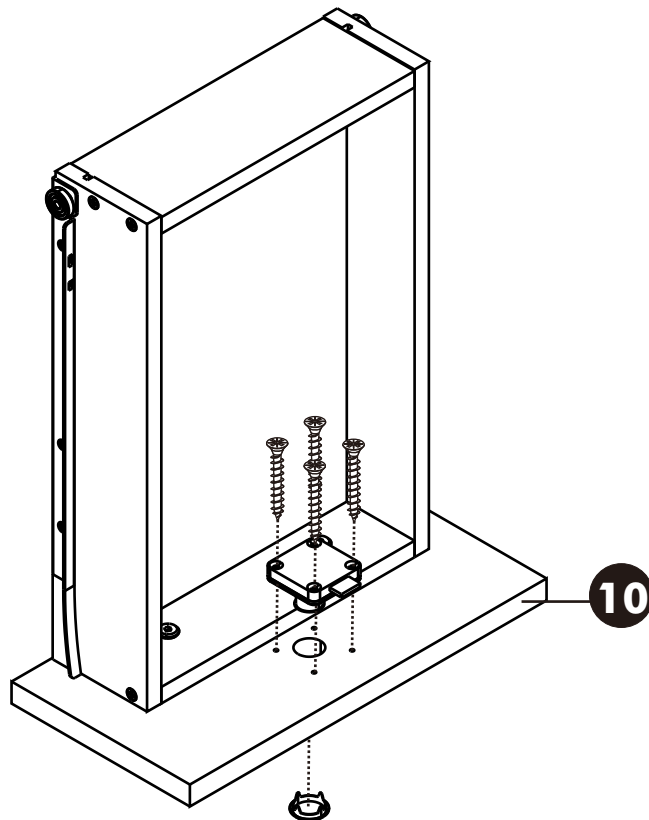
M3.5x13mm.		x6
------------	---	-----------

	x1SET
---	--------------

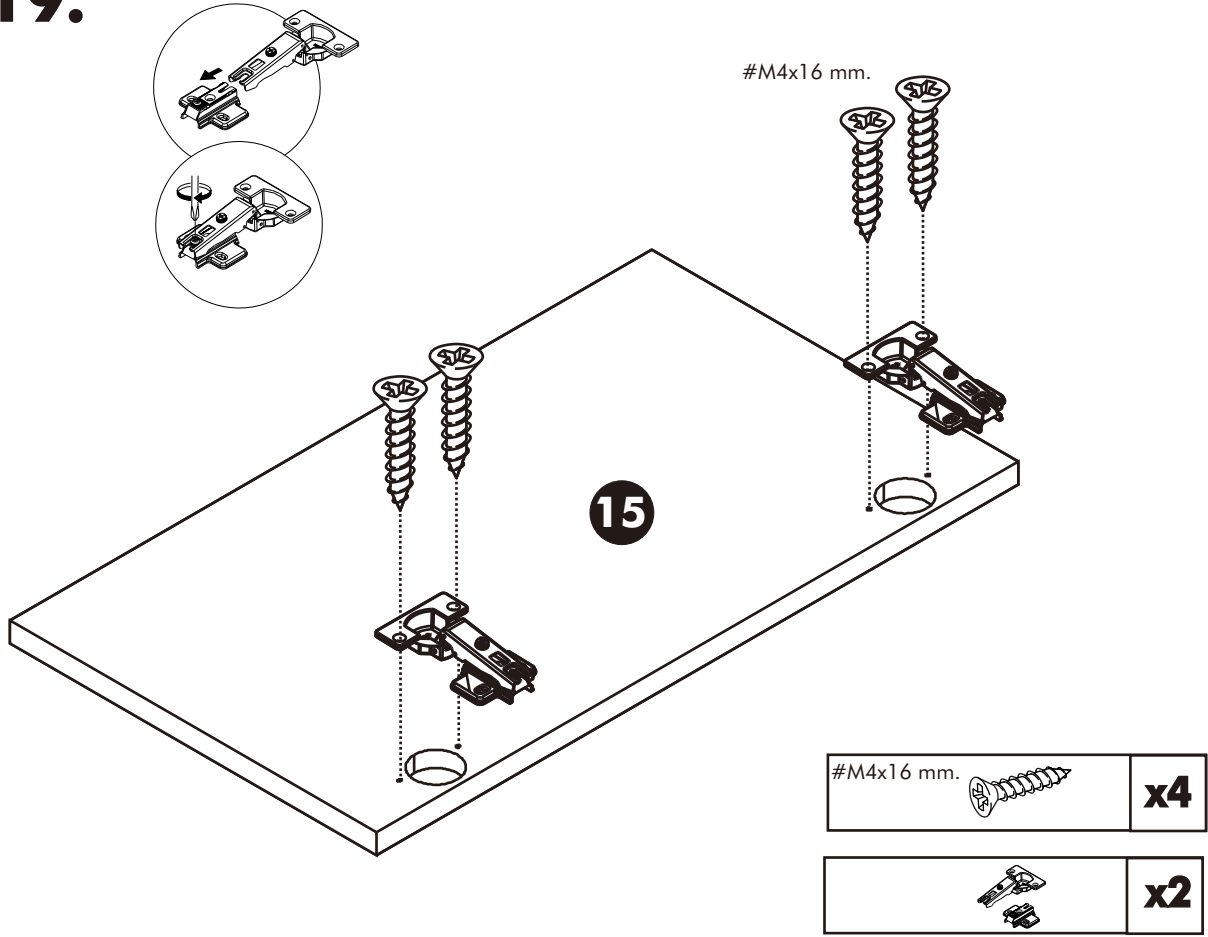
17.



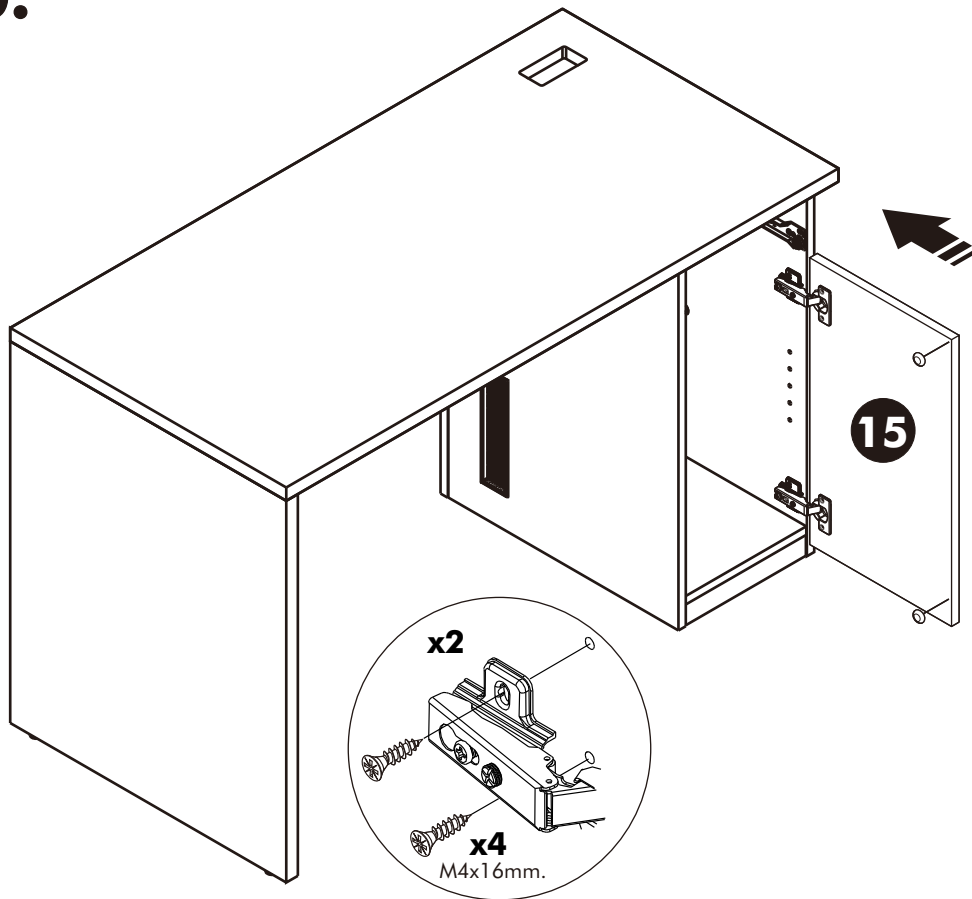
18.



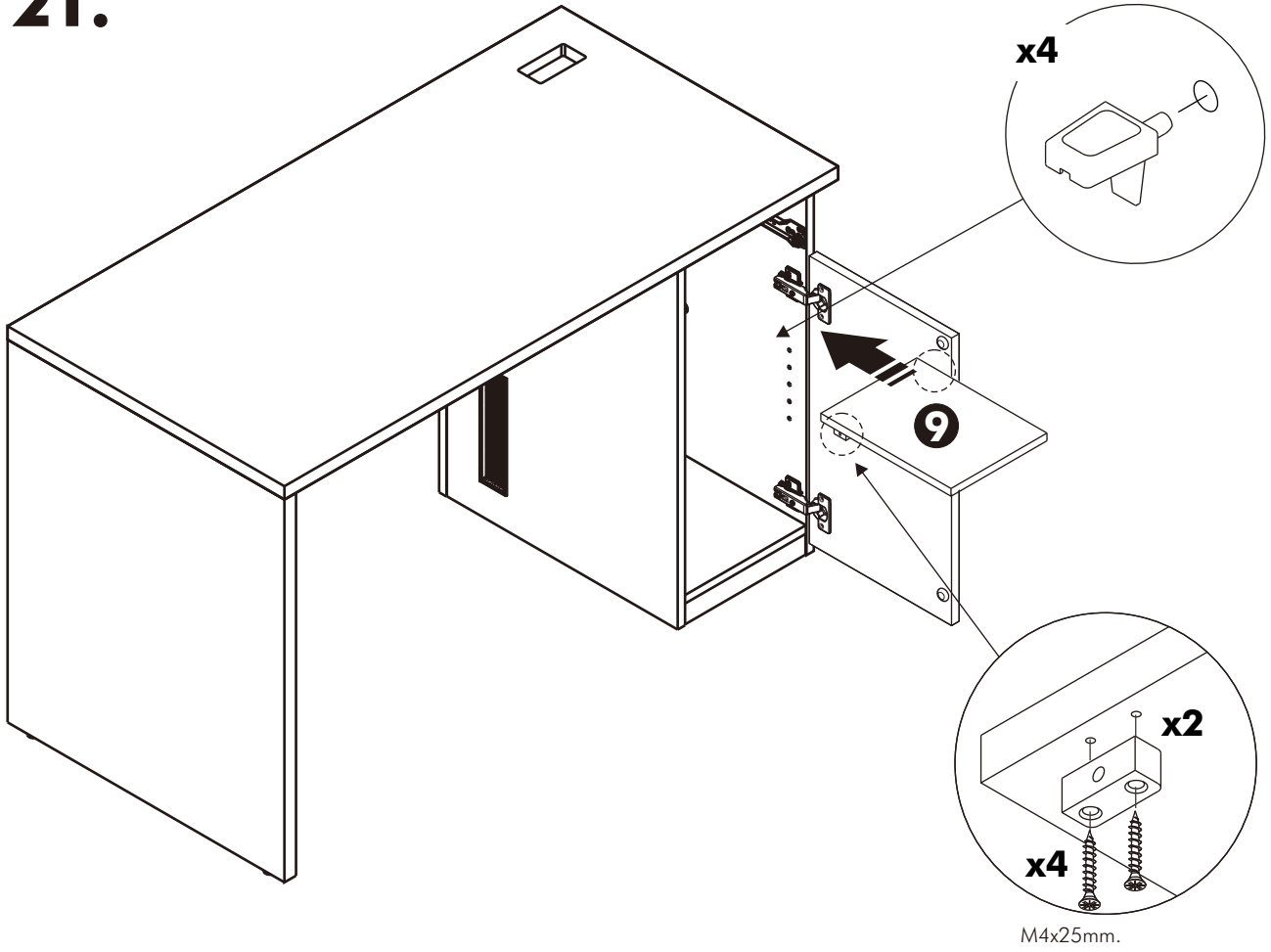
19.



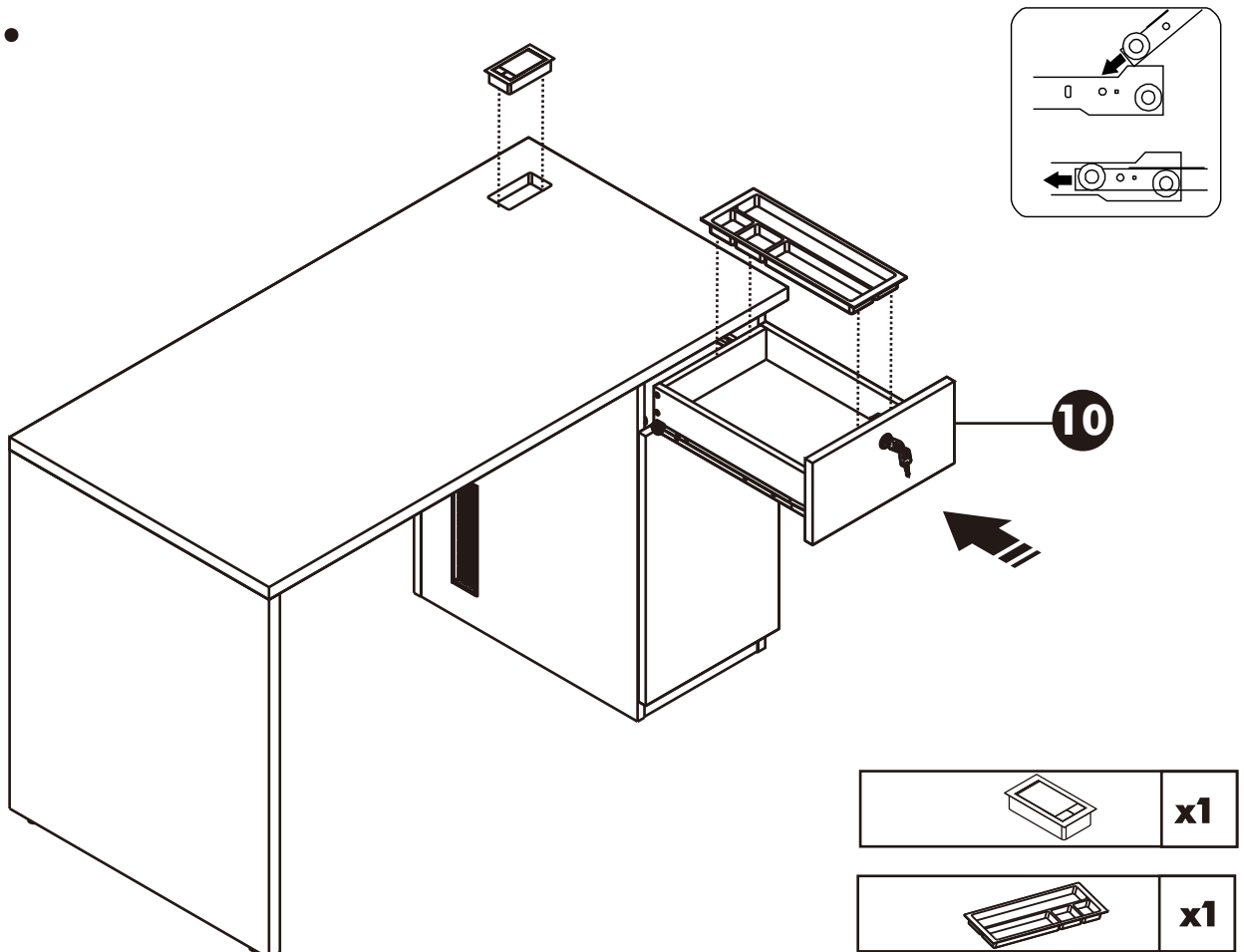
20.



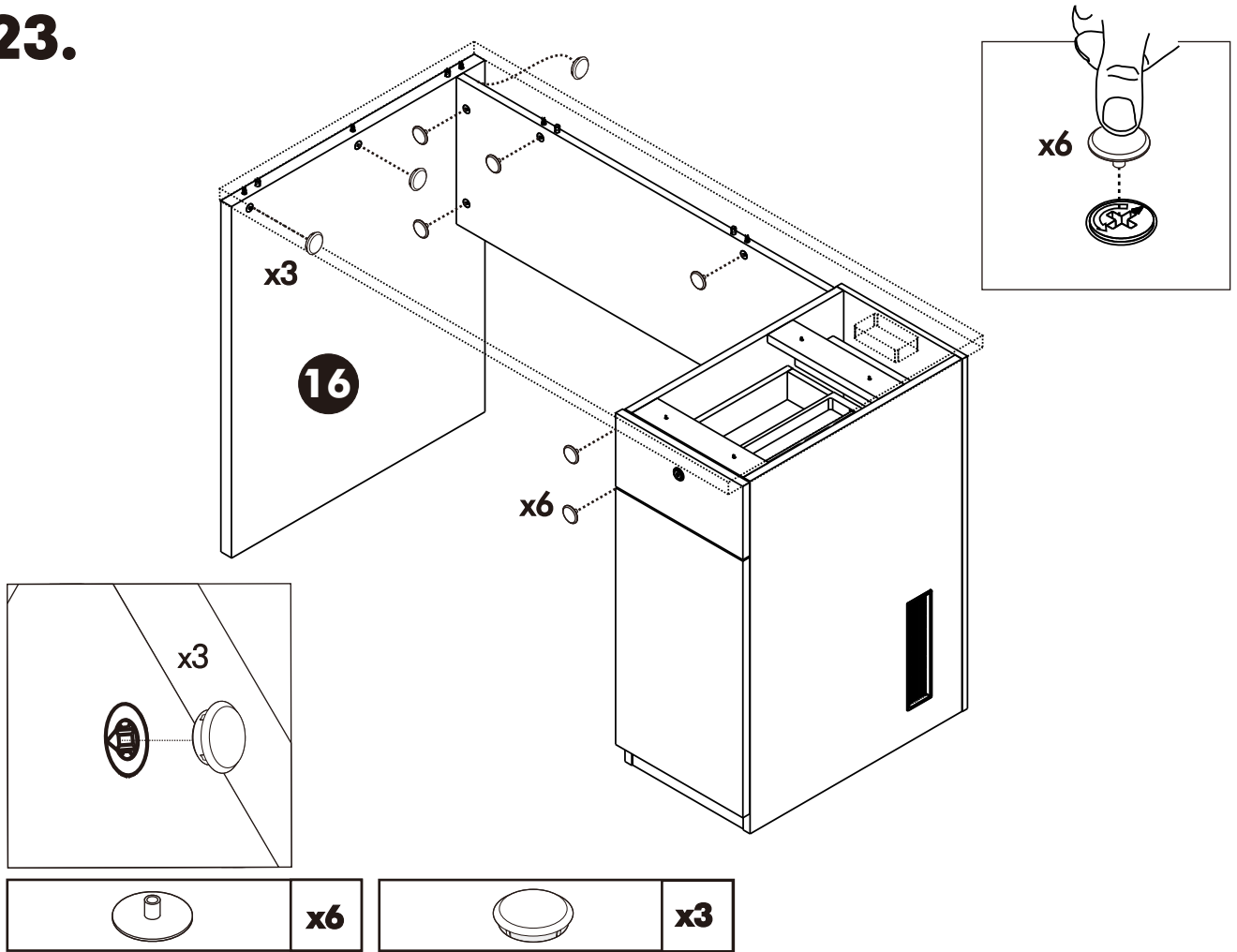
21.



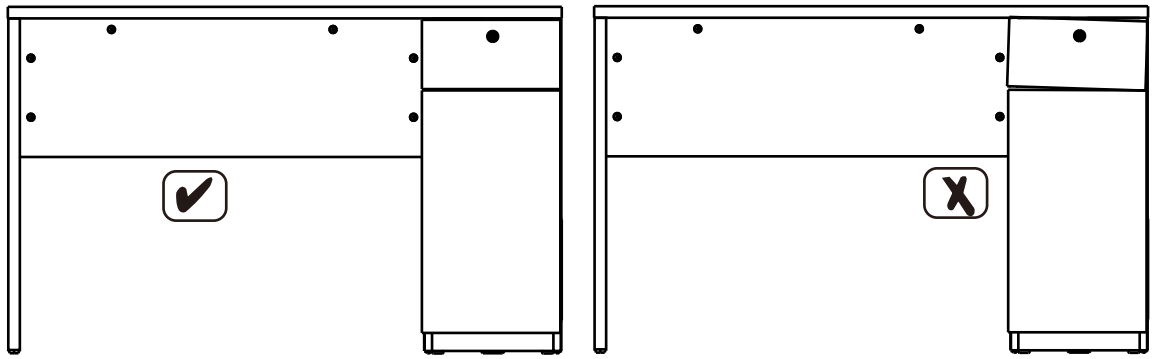
22.



23.



24.



AFTER FINISHED ASSEMBLY
 INCASE OF GAP BETWEEN DRAWERS ARE NOT ALIGN
 PLEASE ADJUST AS BELOW.
 1. LOOSE SCREW A LITTLE BIT.
 2. THEN MOVE FRONT DRAWER TO ALINGNMENT POSITION.
 3. TIGHTEN SCREW.

