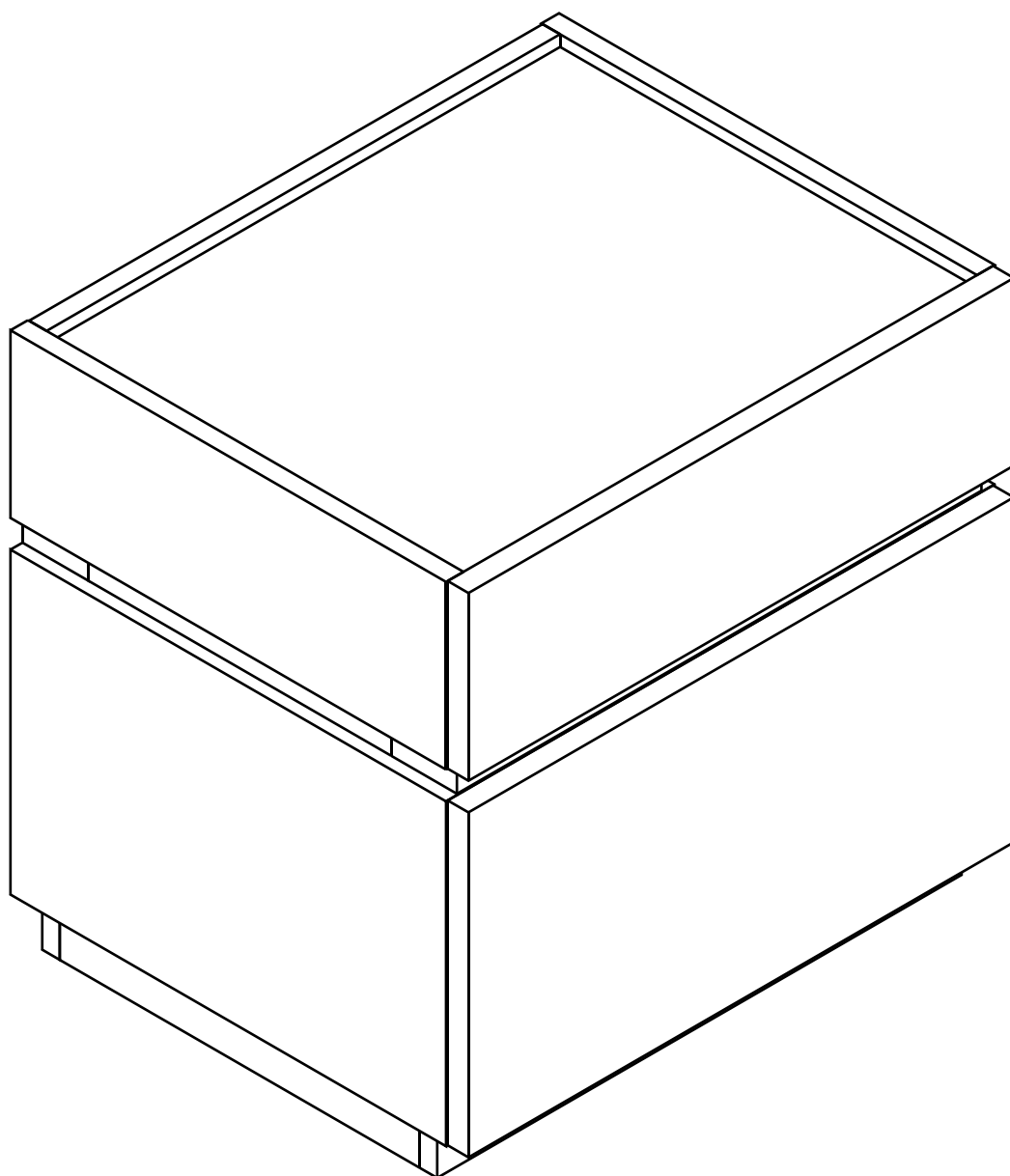
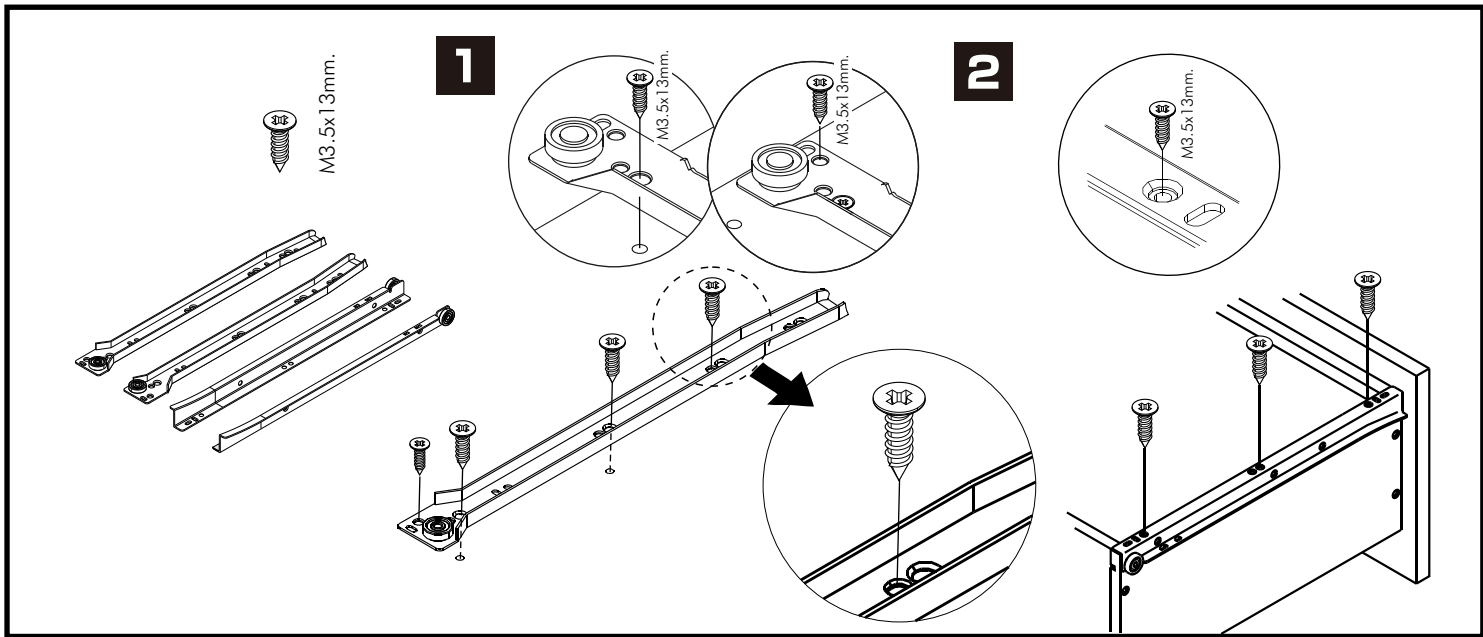
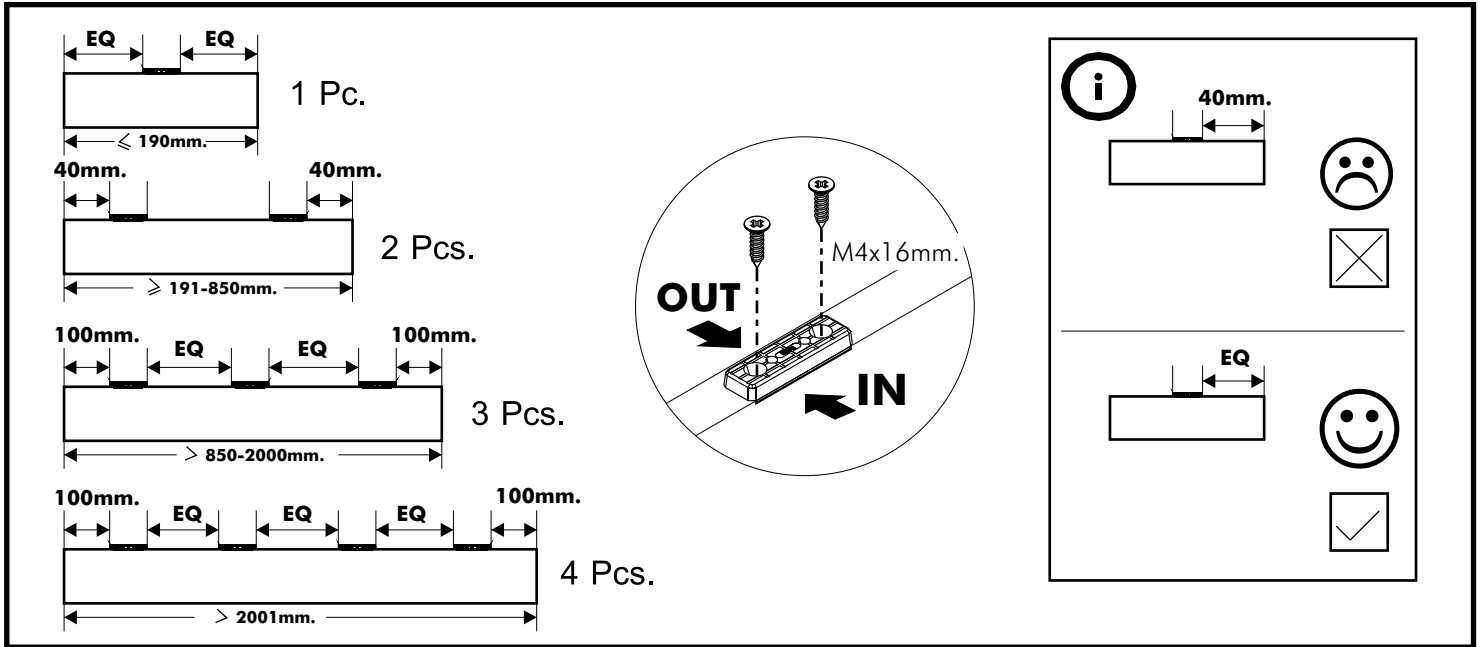
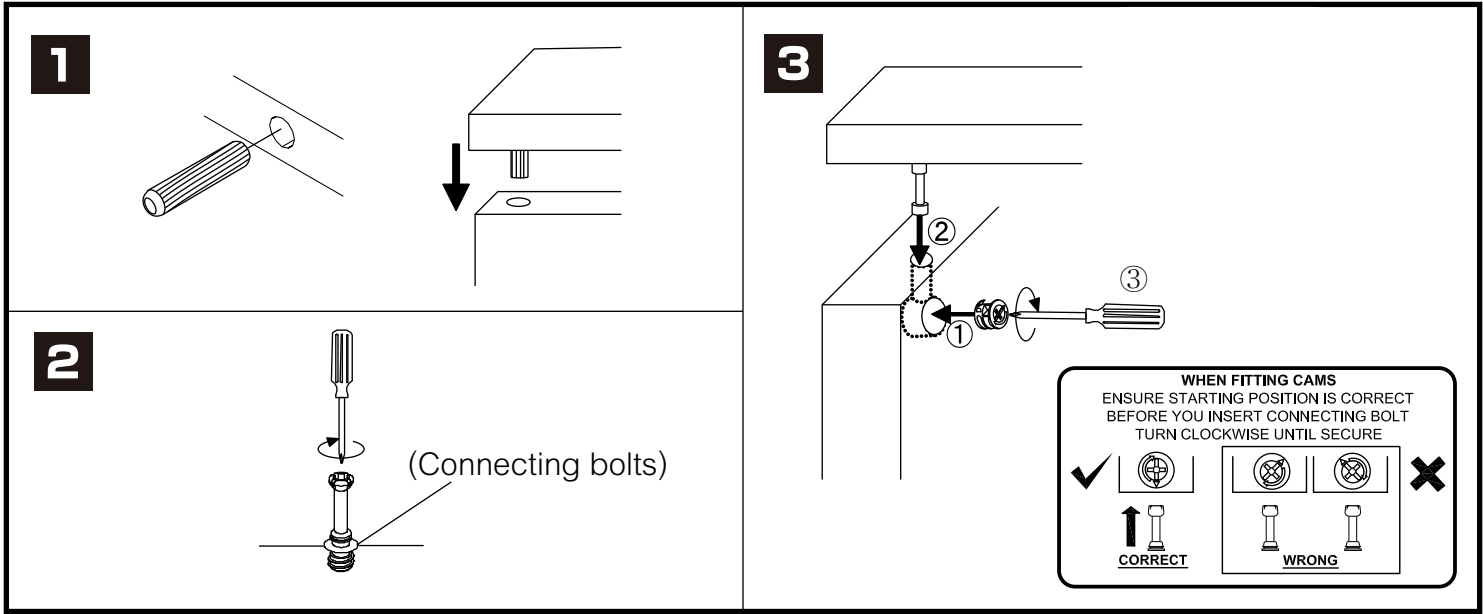


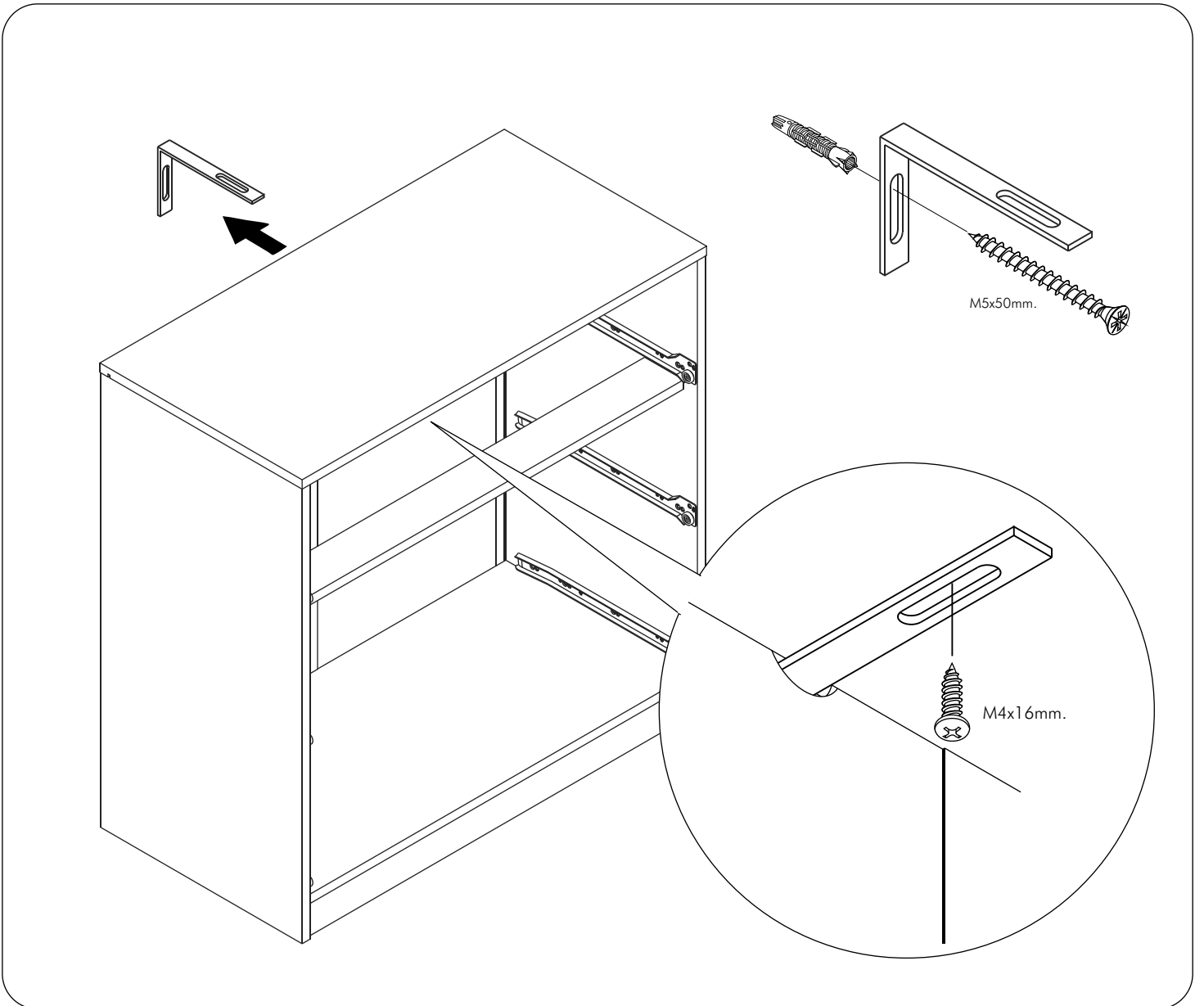
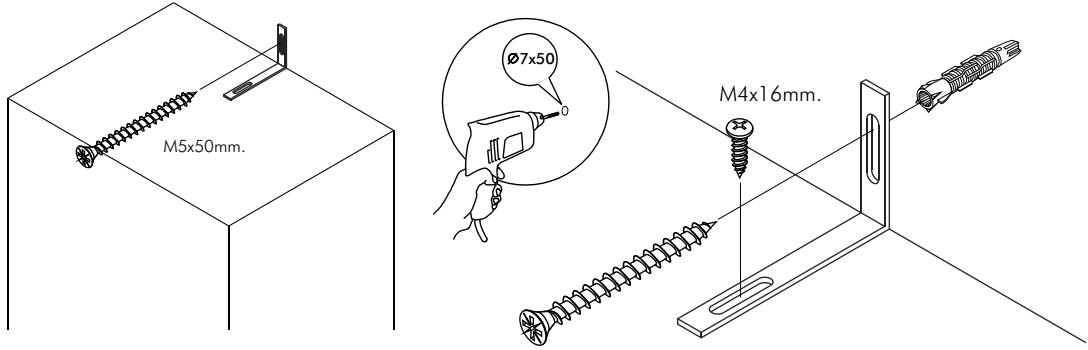
# HERBERT-P

**Night table 50Cm.**



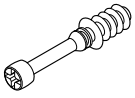
# CONNECT SYSTEM



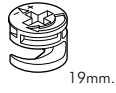


# HARDWARE

## -BODY SET

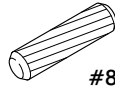


**x 20**



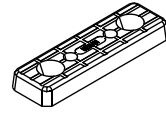
19mm.

**x 20**

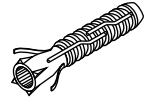


#8x35

**x 36**



**x 4**

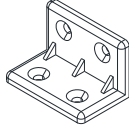


**x 1**



M4x16mm.

**x 40**

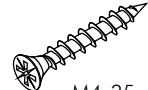


**x 8**



M4x30mm.

**x 4**



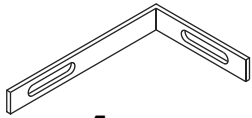
M4x35mm.

**x 8**



M5x50mm.

**x 1**



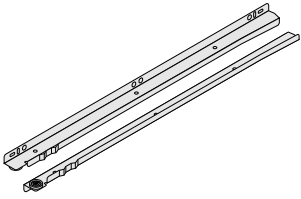
**x 1**



M4x16mm.

**x 1**

## -DRAWER SET

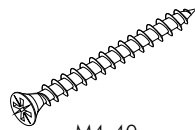


**x 2**



M3.5x13mm.

**x 28**



M4x40mm.

**x 20**



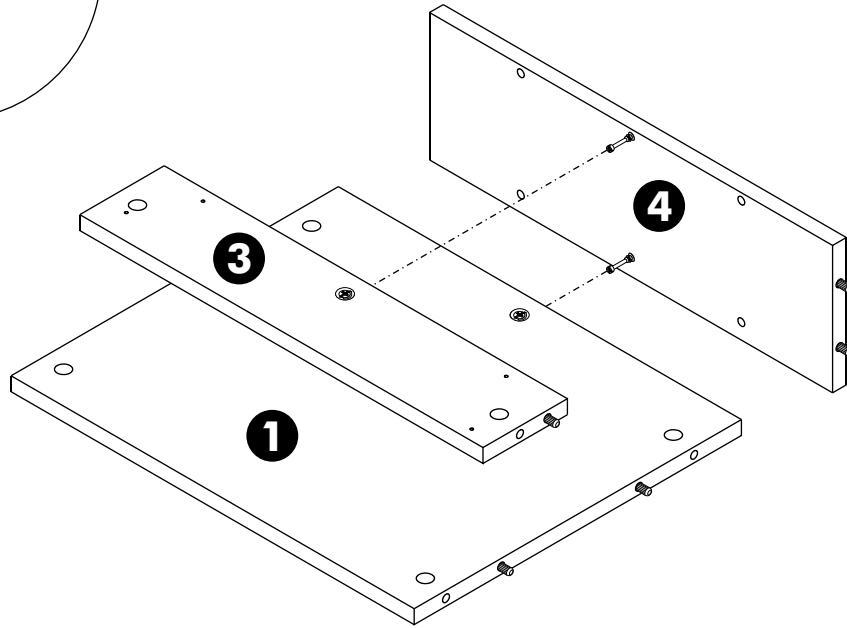
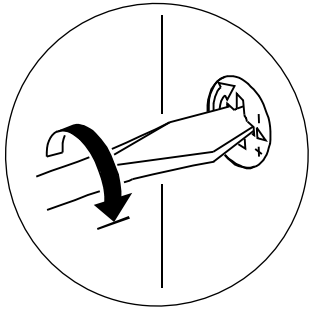
M6x23mm.

**x 4**

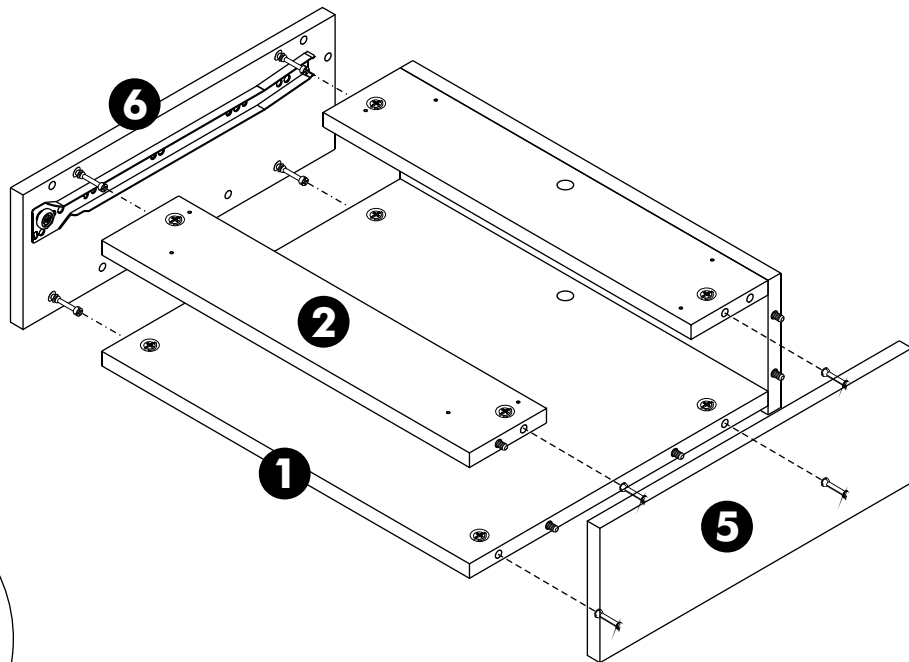
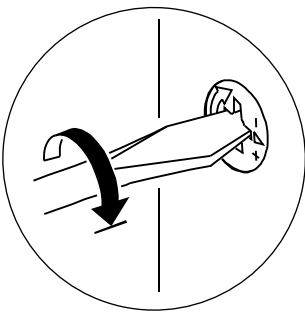


**x 1**

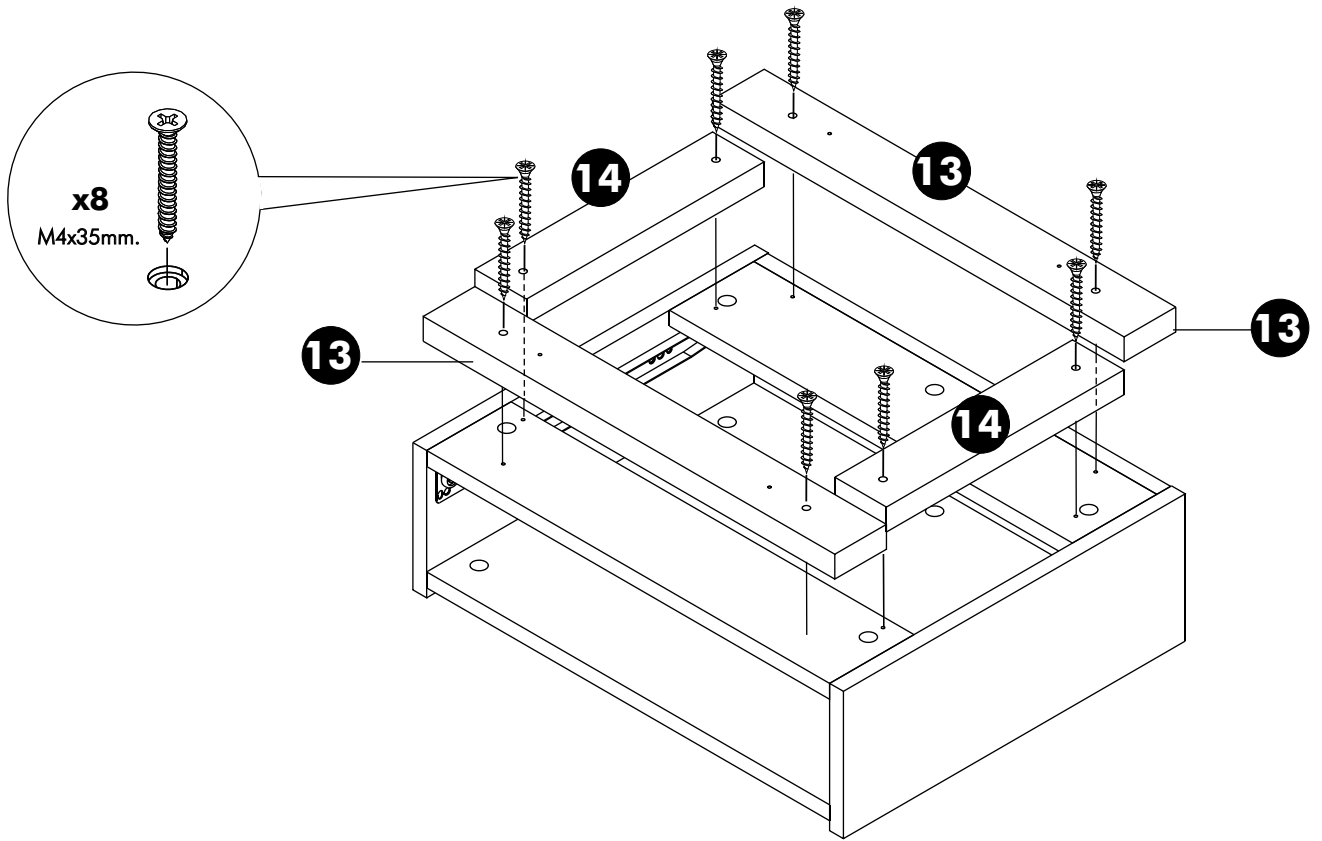
**1.**



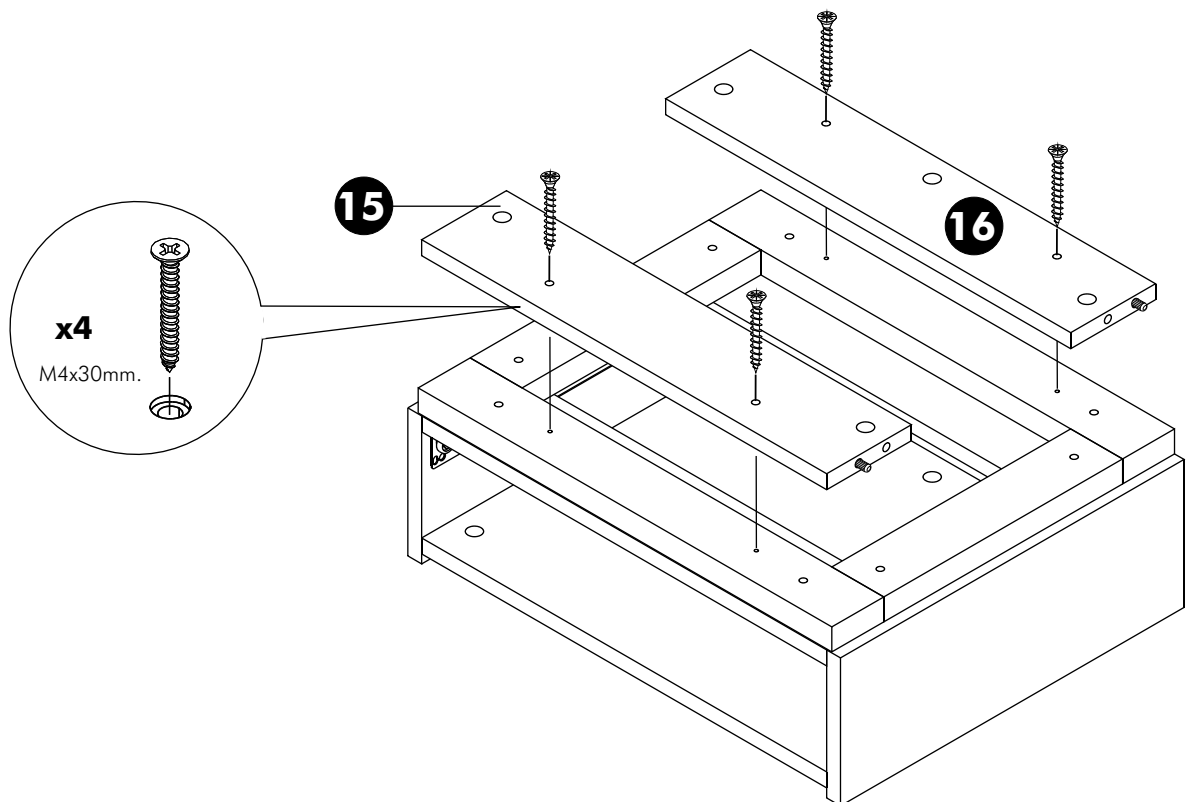
**2.**



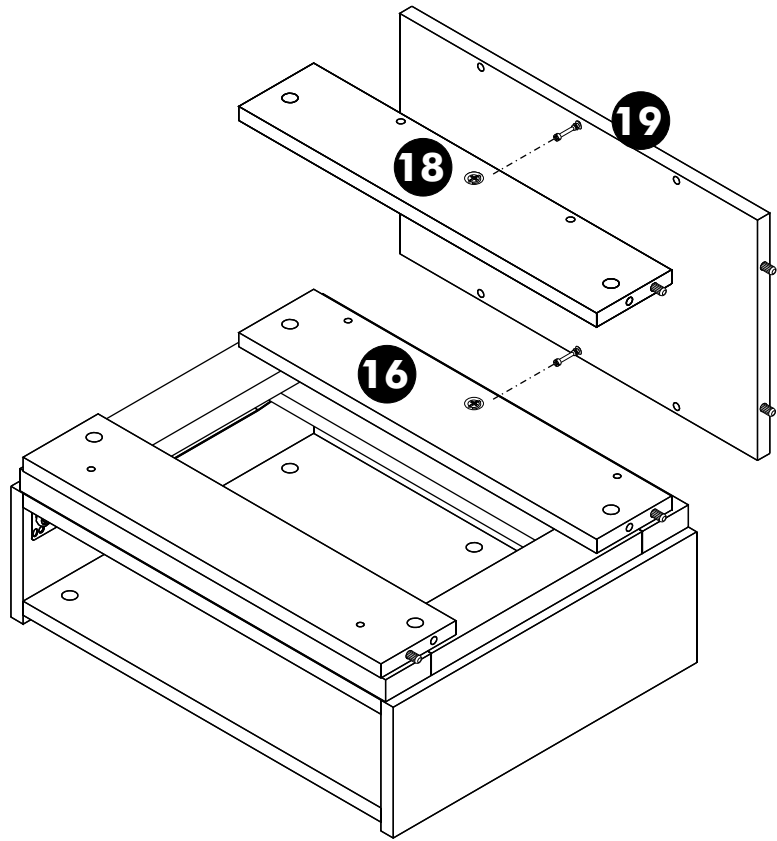
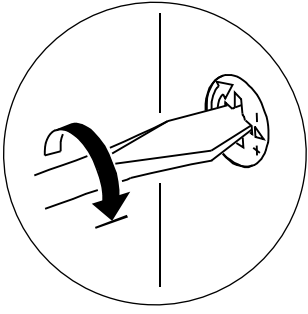
**3.**



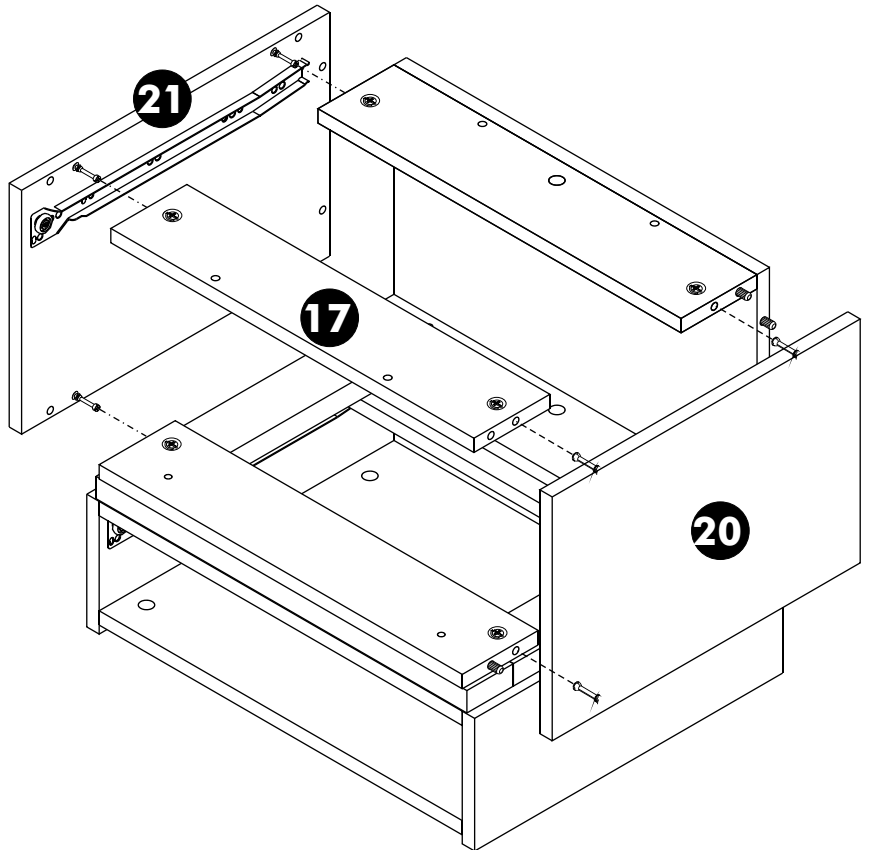
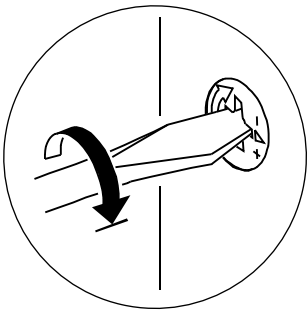
**4.**



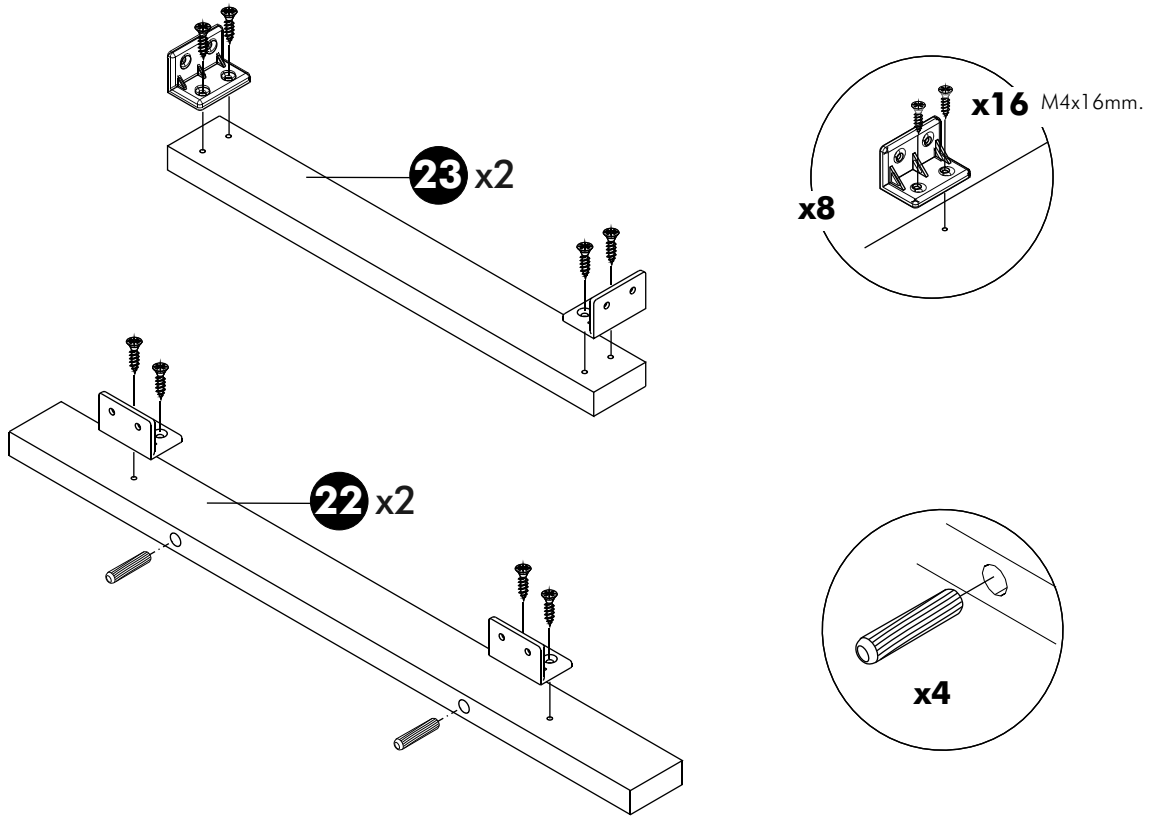
**5.**



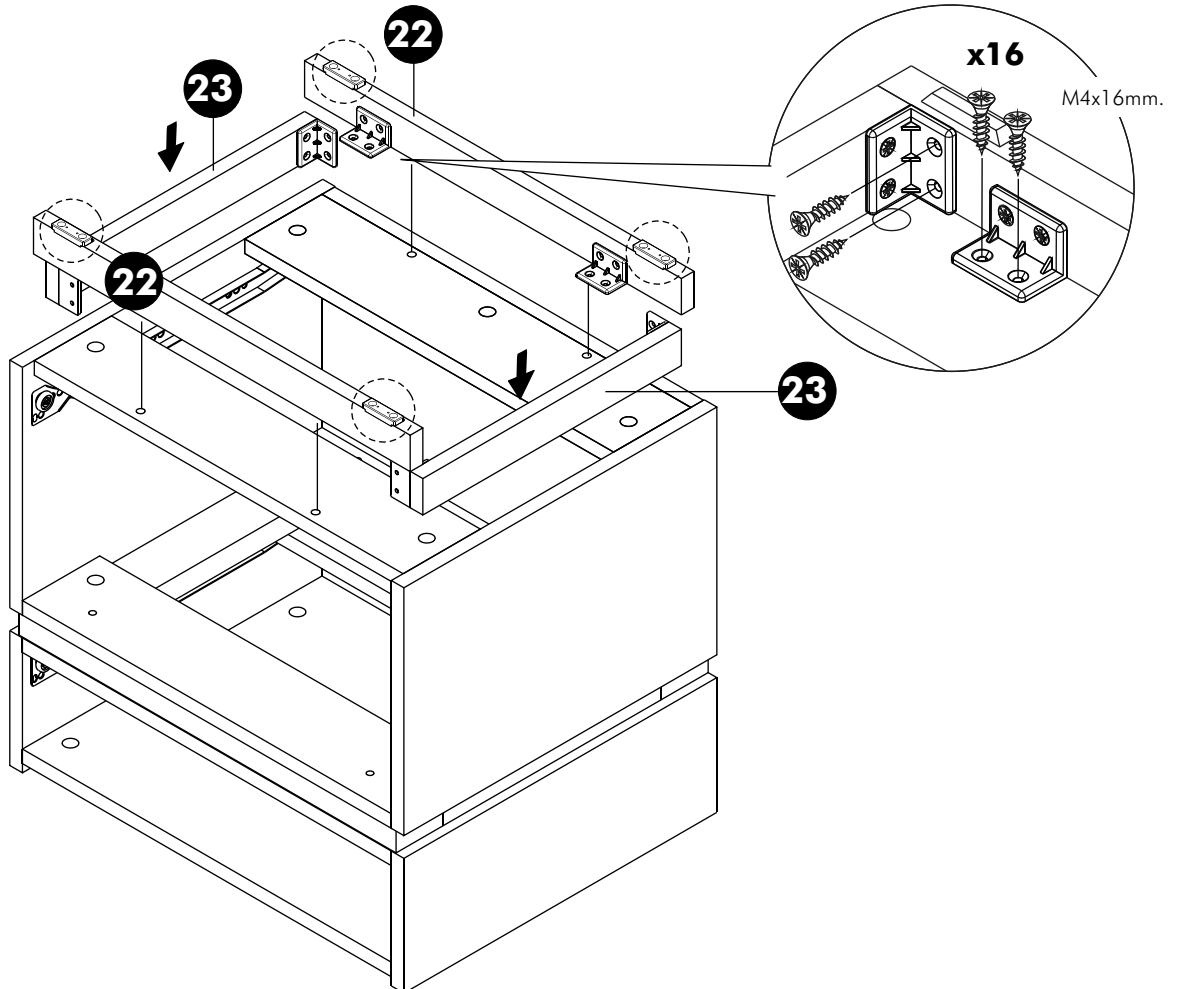
**6.**



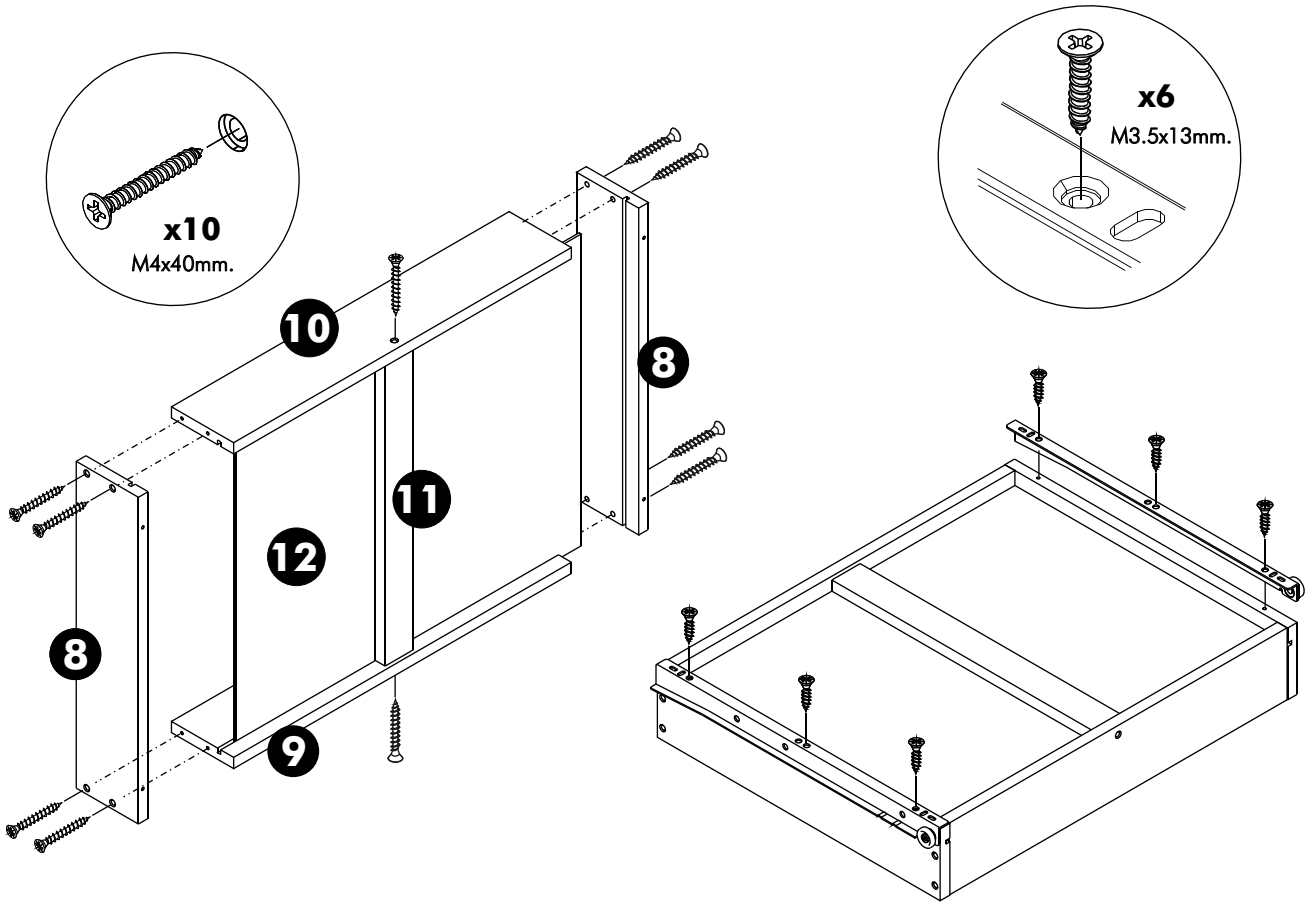
7.



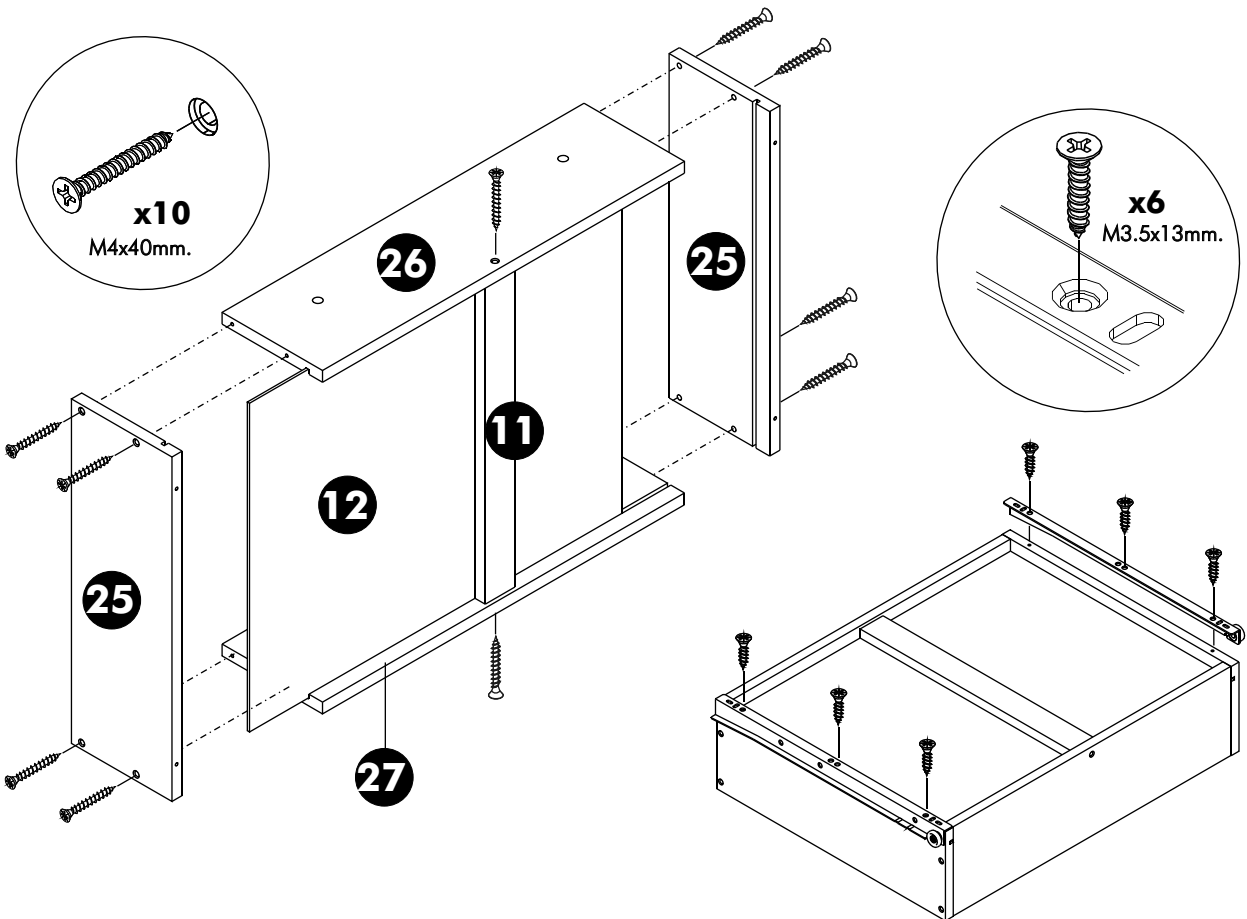
8.



9.



10.



**11.**

