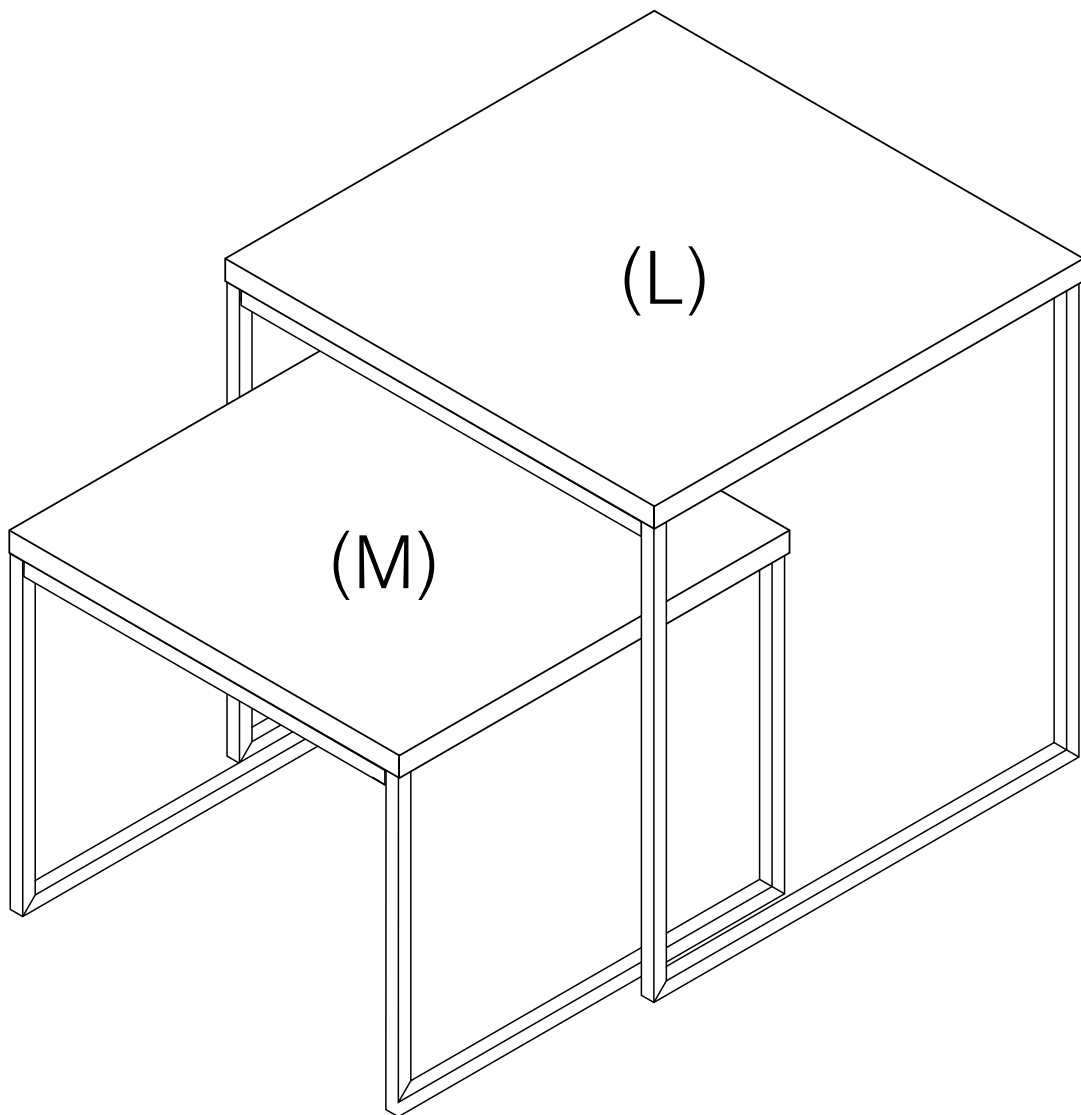


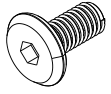
SHERBET (L+M)-P

Side table



HARDWARE

-BODY SET



TFL4 M6x13

x 24



#M6

x 24



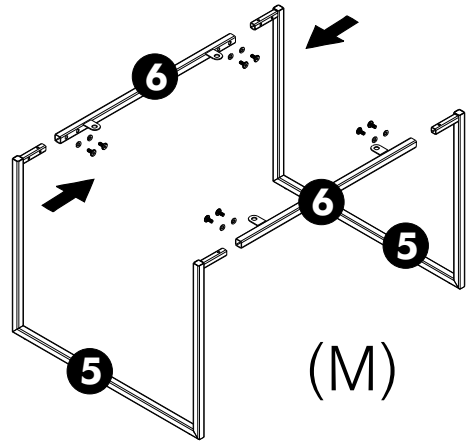
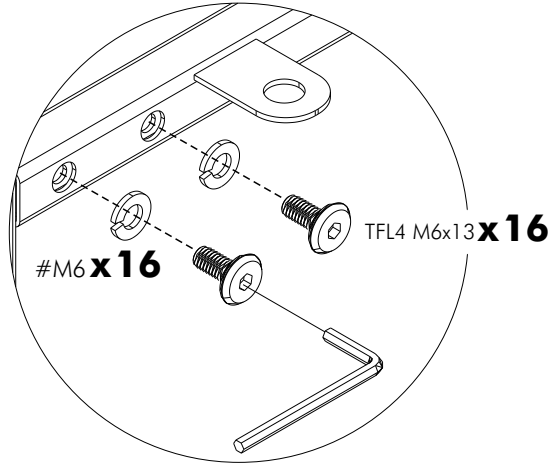
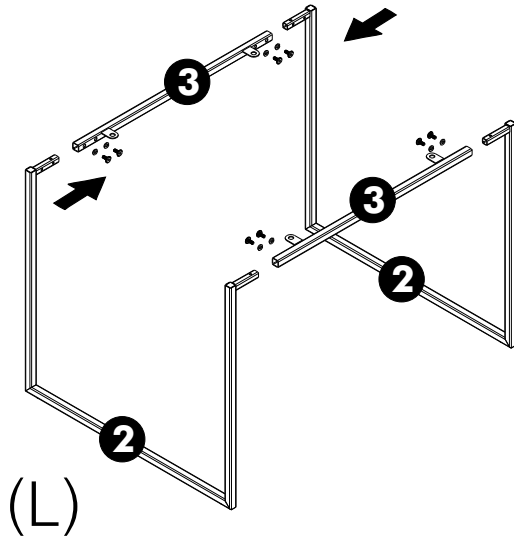
#M4

x 1

ASSEMBLY

-BODY SET

1.



2.

