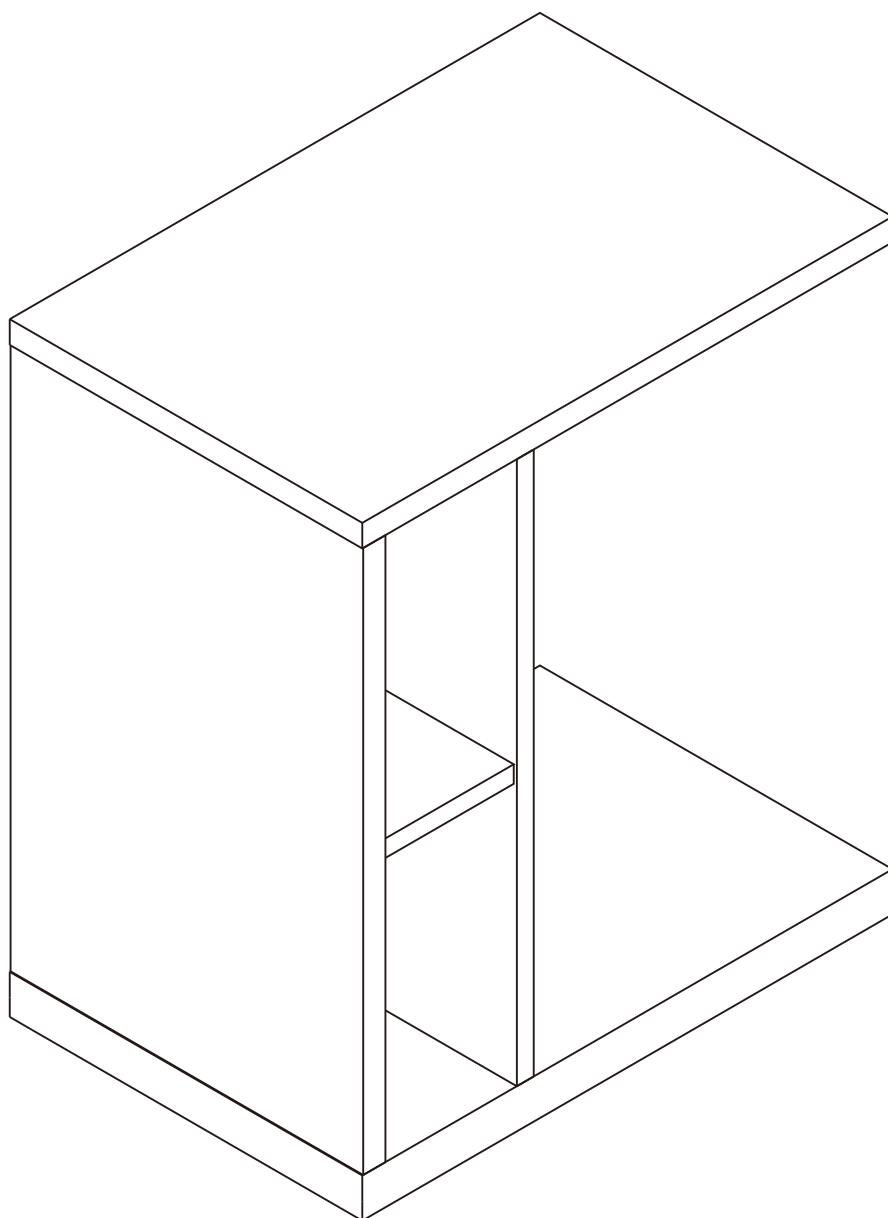


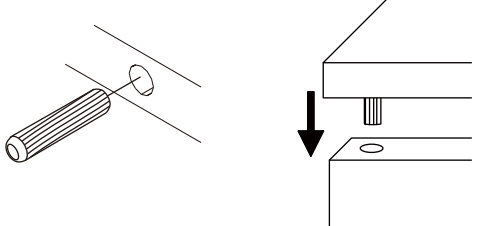
# PLOT-P

Side table 60

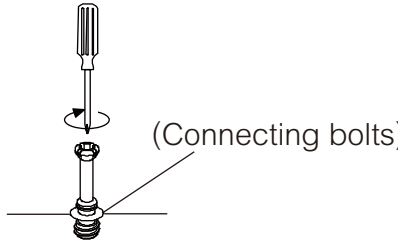


# CONNECT SYSTEM

**1**

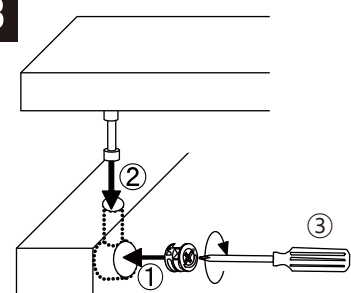


**2**

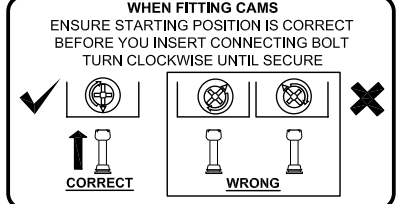


(Connecting bolts)

**3**



**WHEN FITTING CAMS**  
ENSURE STARTING POSITION IS CORRECT  
BEFORE YOU INSERT CONNECTING BOLT  
TURN CLOCKWISE UNTIL SECURE

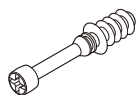


**CORRECT**

**WRONG**

# HARDWARE

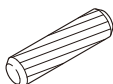
## -BODY SET



**x 8**



**x 8**

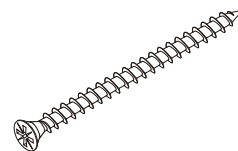


8x35mm.

**x 12**



**x 6**



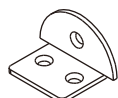
M4x50mm.

**x 4**



M3.5x16mm.

**x 16**



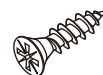
**x 2**



**x 1Set**



**x 2**



M4x20mm.

**x 6**

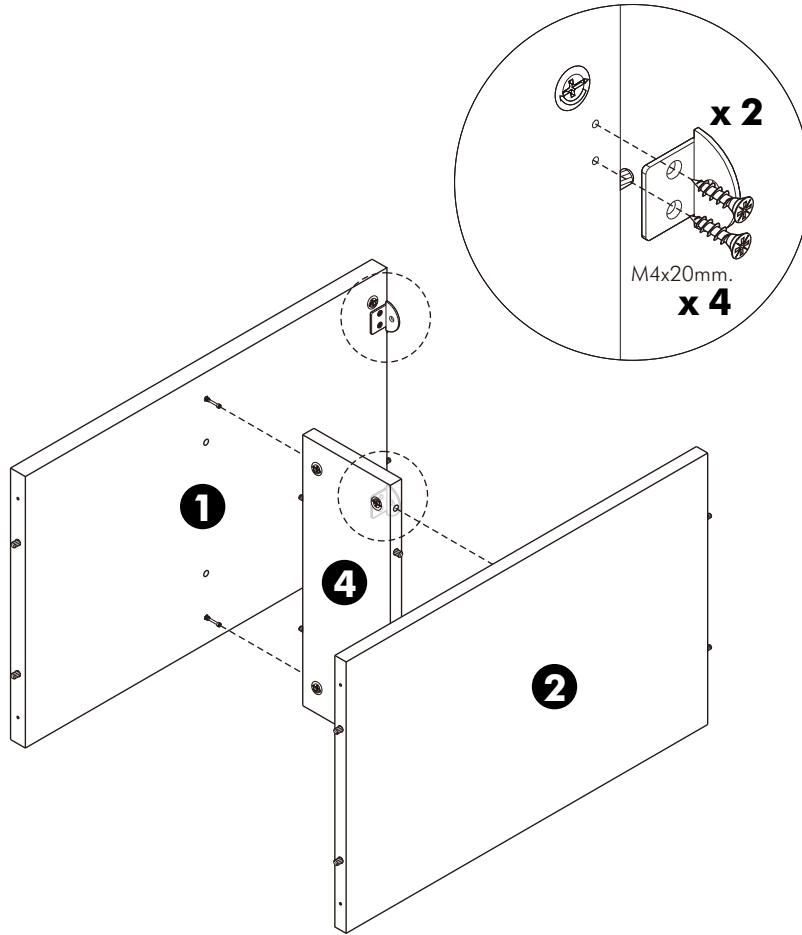


**x 4**

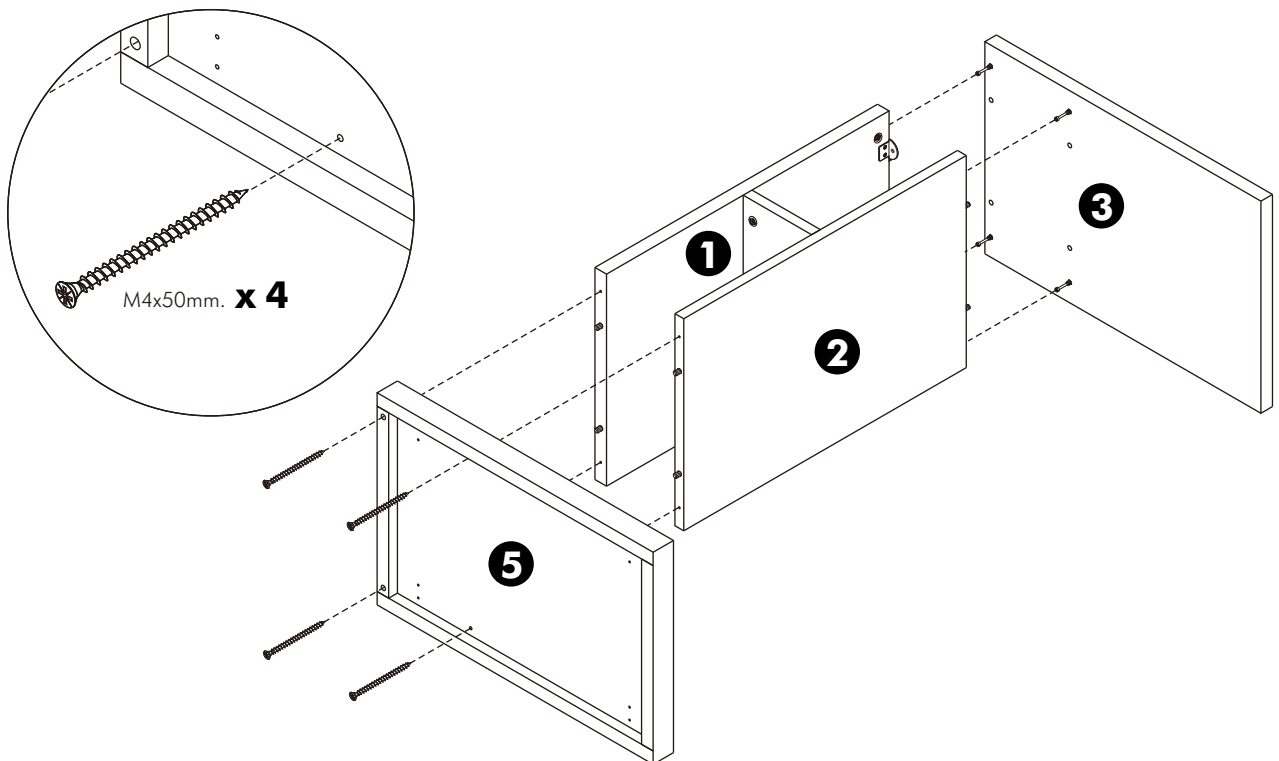
# ASSEMBLY

-BODY SET

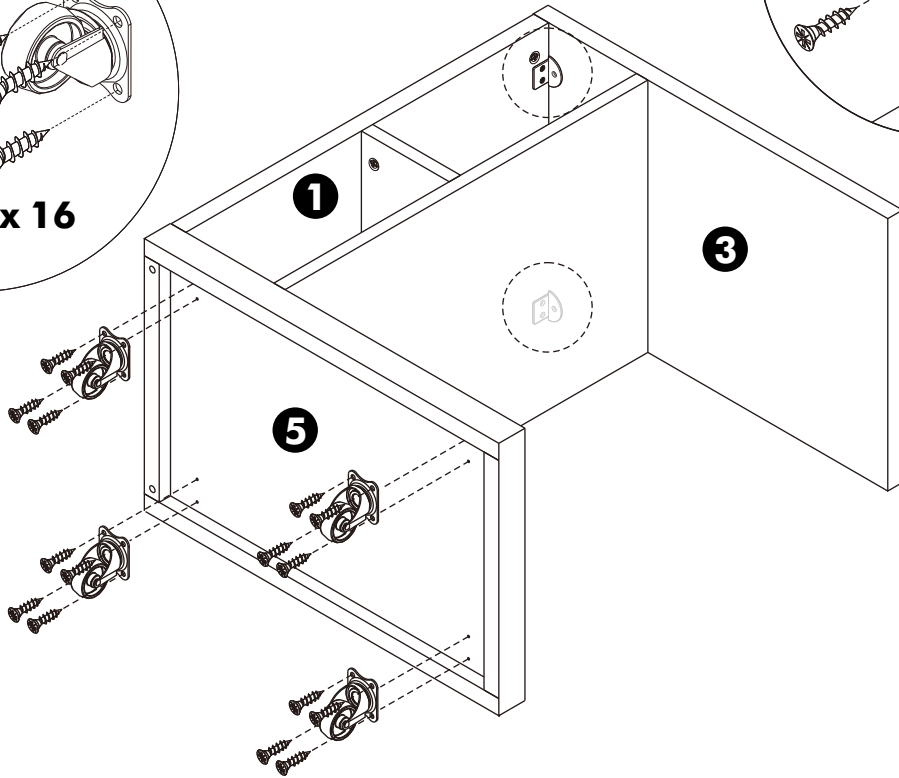
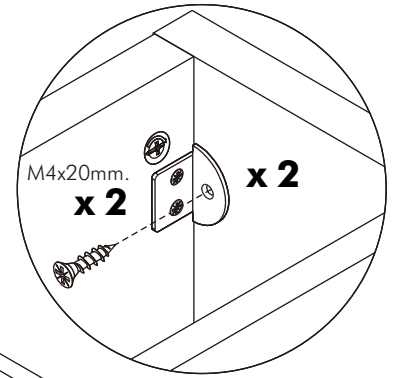
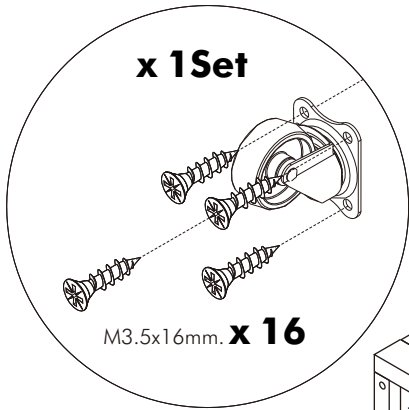
**1.**



**2.**



**3.**



**4.**

