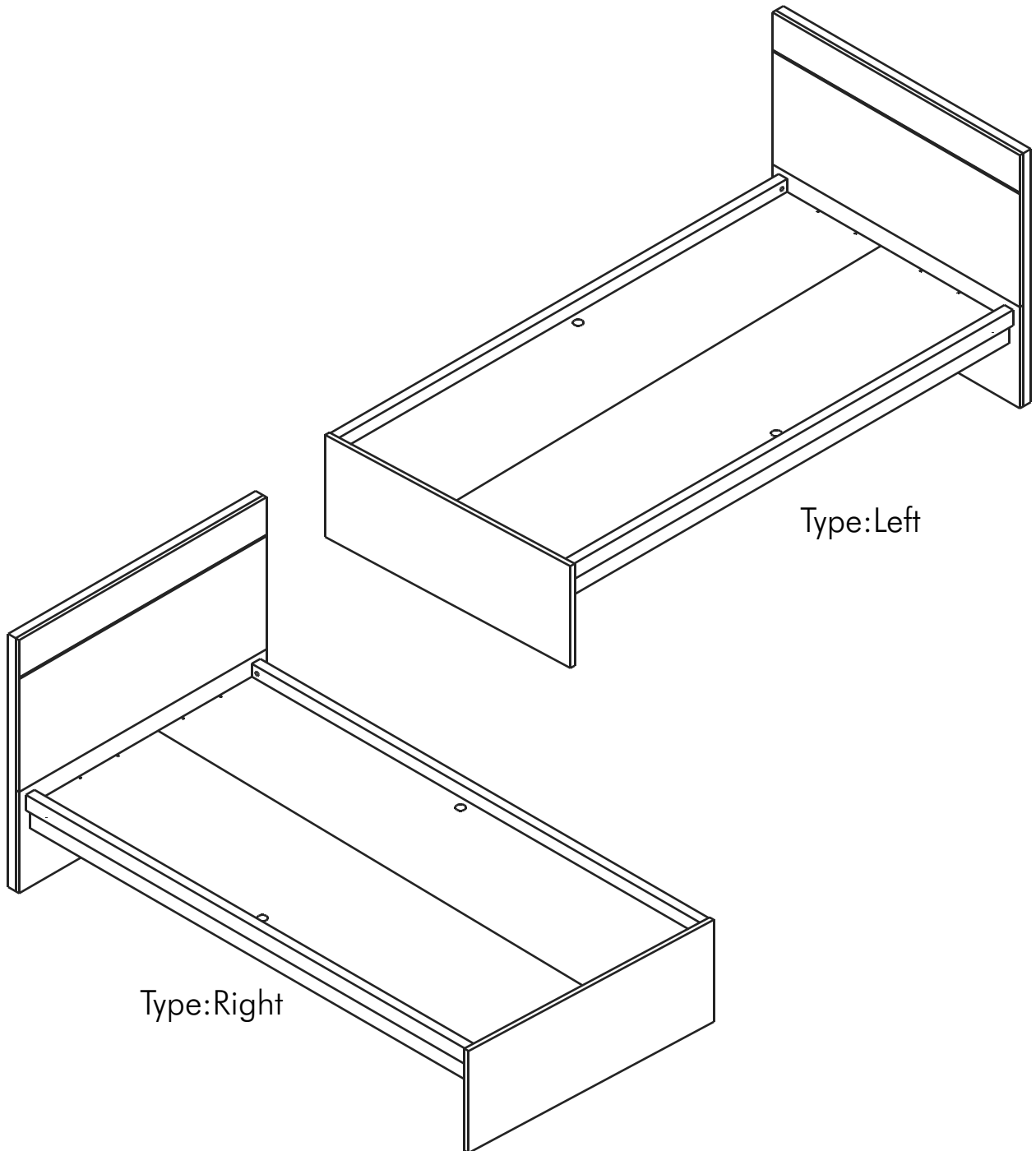


\$BLANC-P

HB+BB BOX 3.5ft



CONNECT SYSTEM

1

2

(Connecting bolts)

3

WHEN FITTING CAMS
 ENSURE STARTING POSITION IS CORRECT
 BEFORE YOU INSERT CONNECTING BOLT
 TURN CLOCKWISE UNTIL SECURE

✓				✗
↑	CORRECT	WRONG		

1 Pc.
 EQ EQ
 ≤ 190mm.

2 Pcs.
 40mm. 40mm.
 ≥ 191-850mm.

3 Pcs.
 100mm. EQ EQ 100mm.
 > 850-2000mm.

4 Pcs.
 100mm. EQ EQ EQ 100mm.
 > 2001mm.

OUT

IN

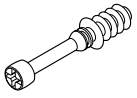
M4x16mm.

i 40mm.

EQ

HARDWARE

-BODY SET

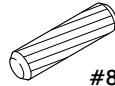


x 4



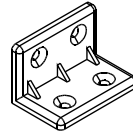
19mm.

x 4



#8x35

x 4



x 4



No.1

x 2



M4x16mm.

x 12



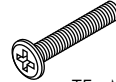
#M6

x 2



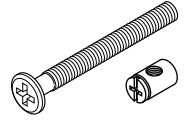
#M6

x 2



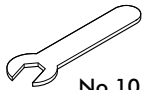
TF+M6x45

x 2



JCB+ M6x60

x 4



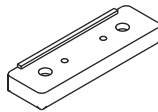
No.10

x 1



M4x16mm.

x 34



x 9



M4x30mm.

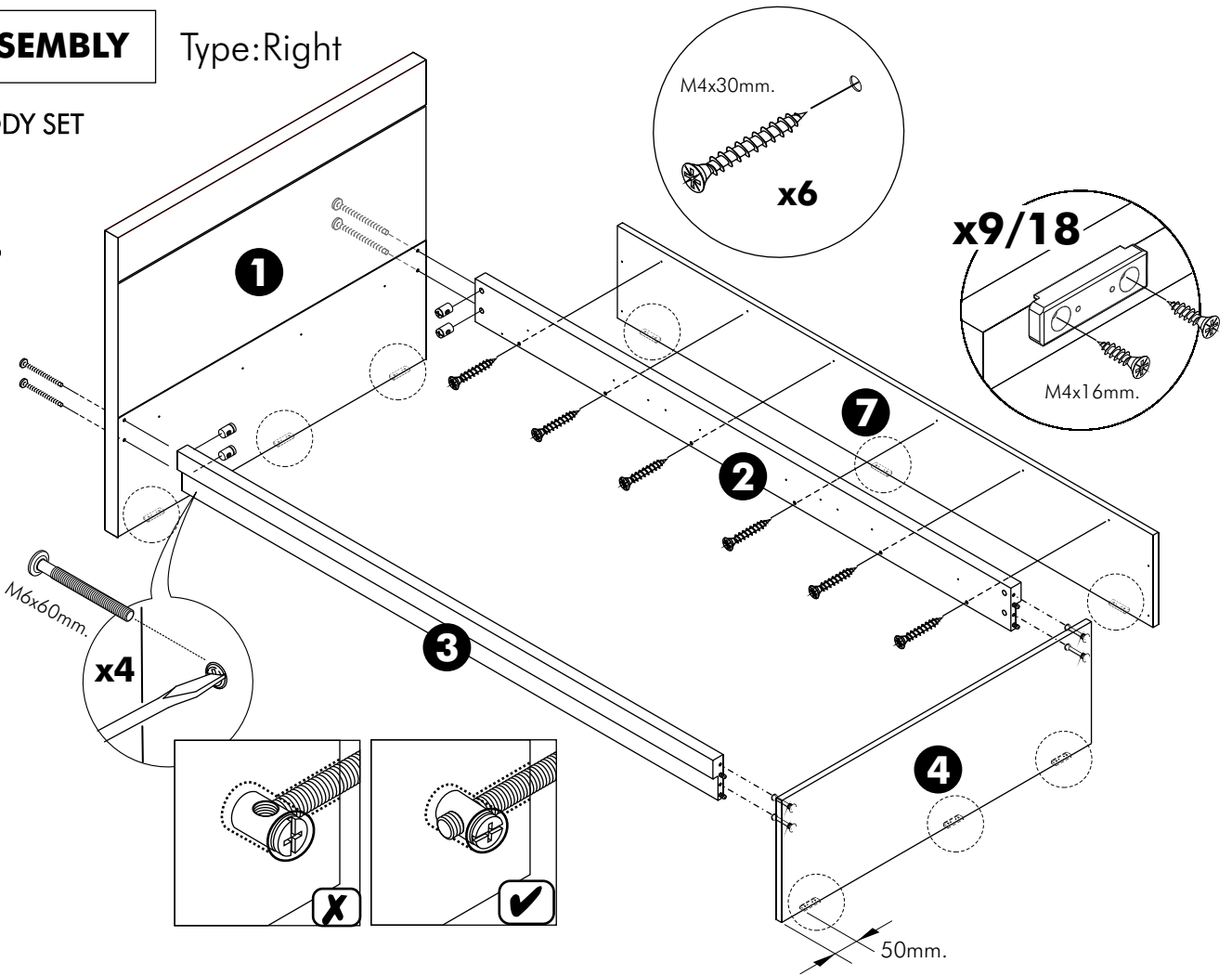
x 49

ASSEMBLY

Type:Right

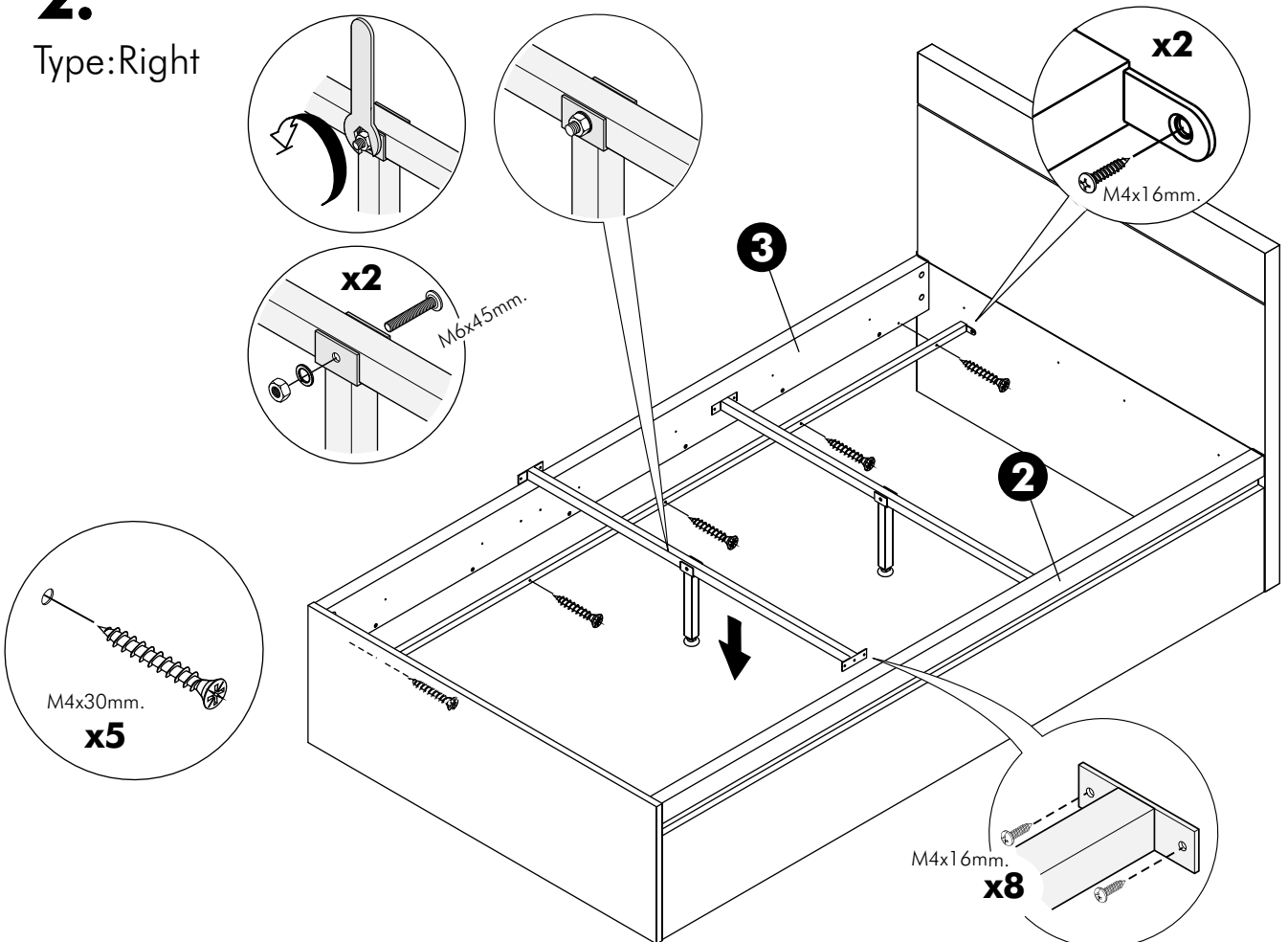
-BODY SET

1.

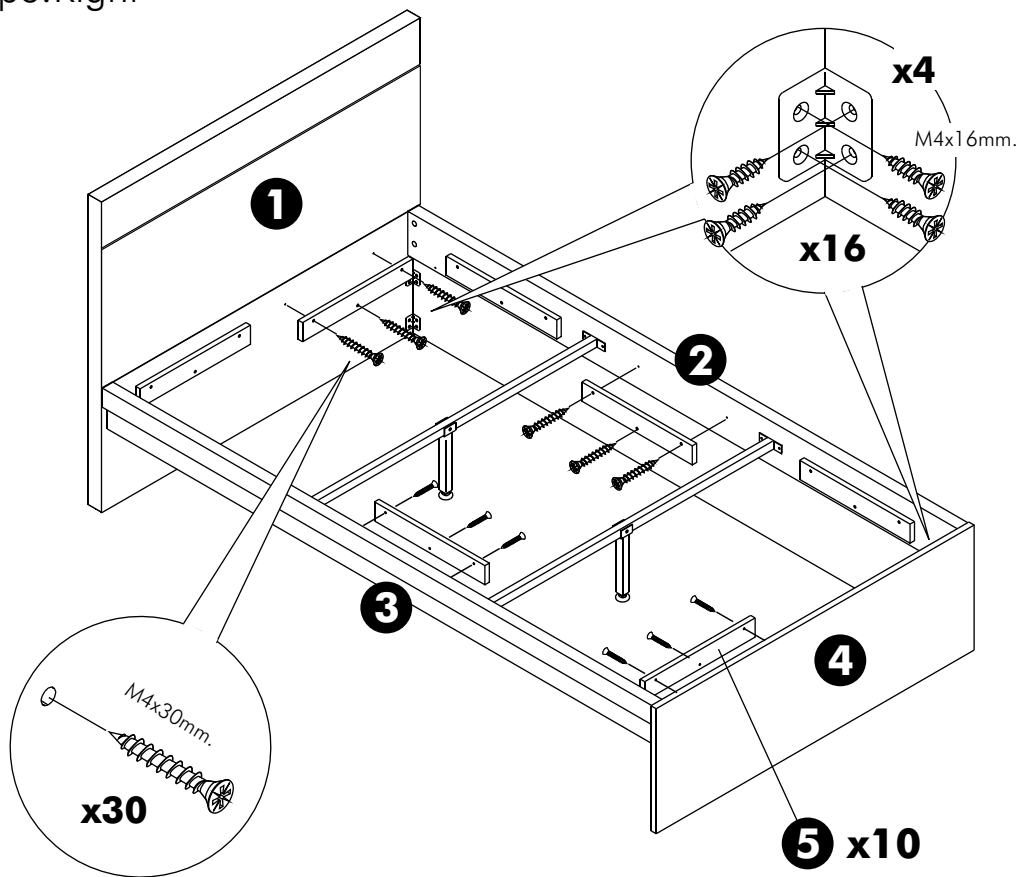


2.

Type:Right



3. Type:Right



4.

