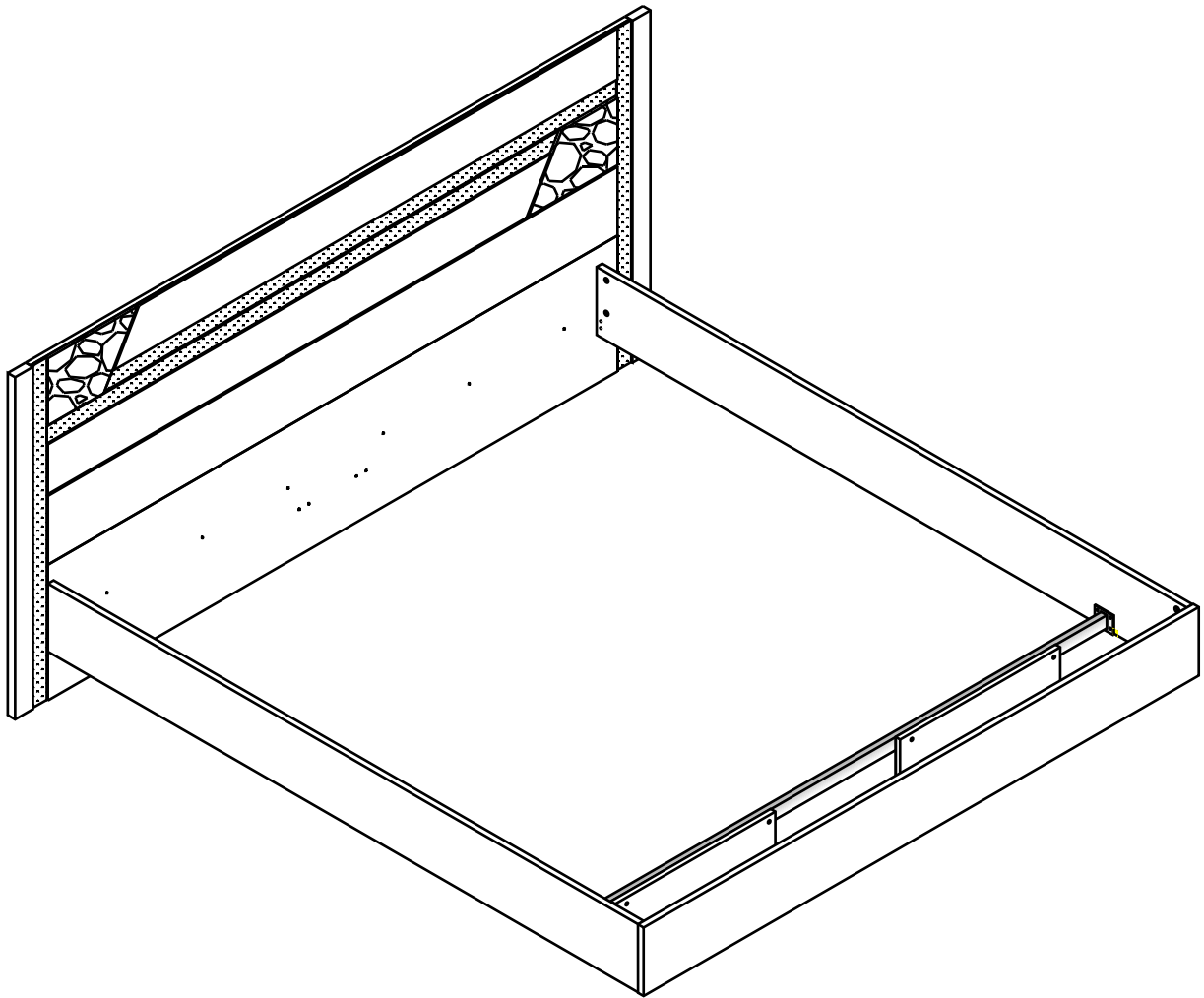
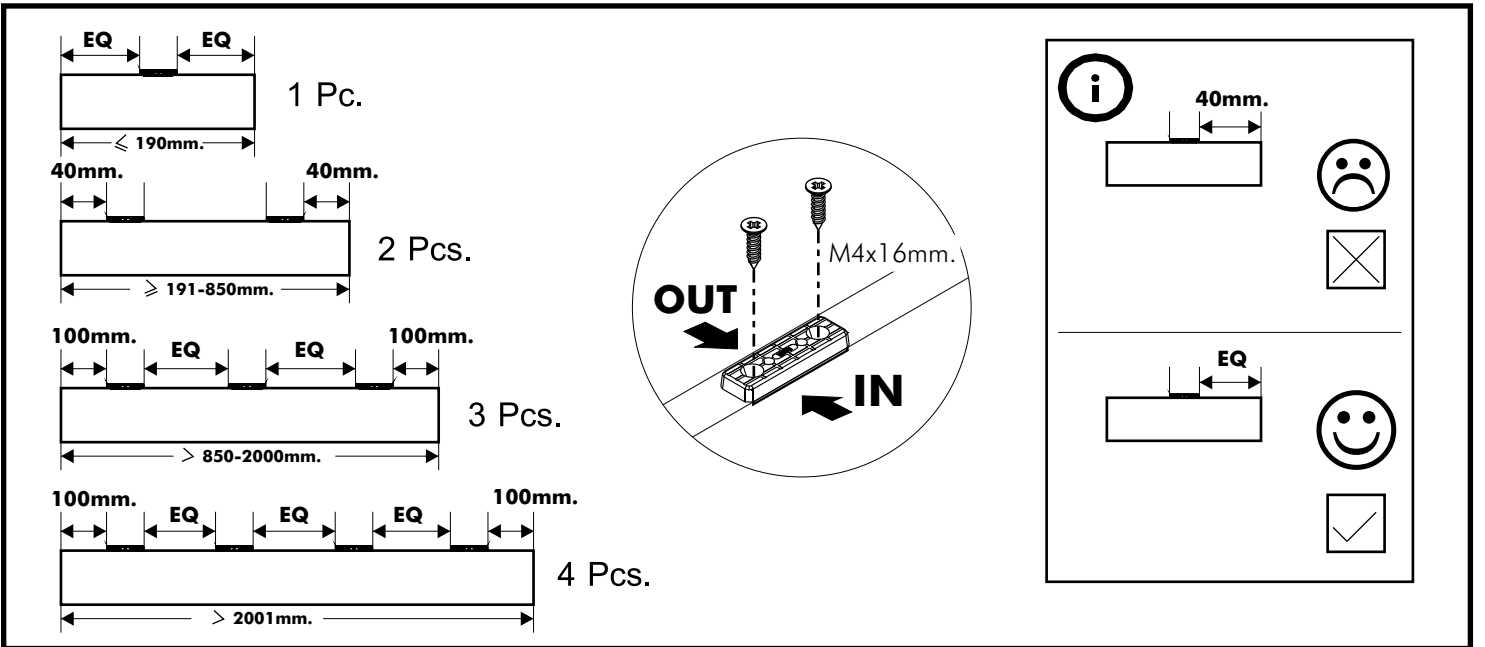
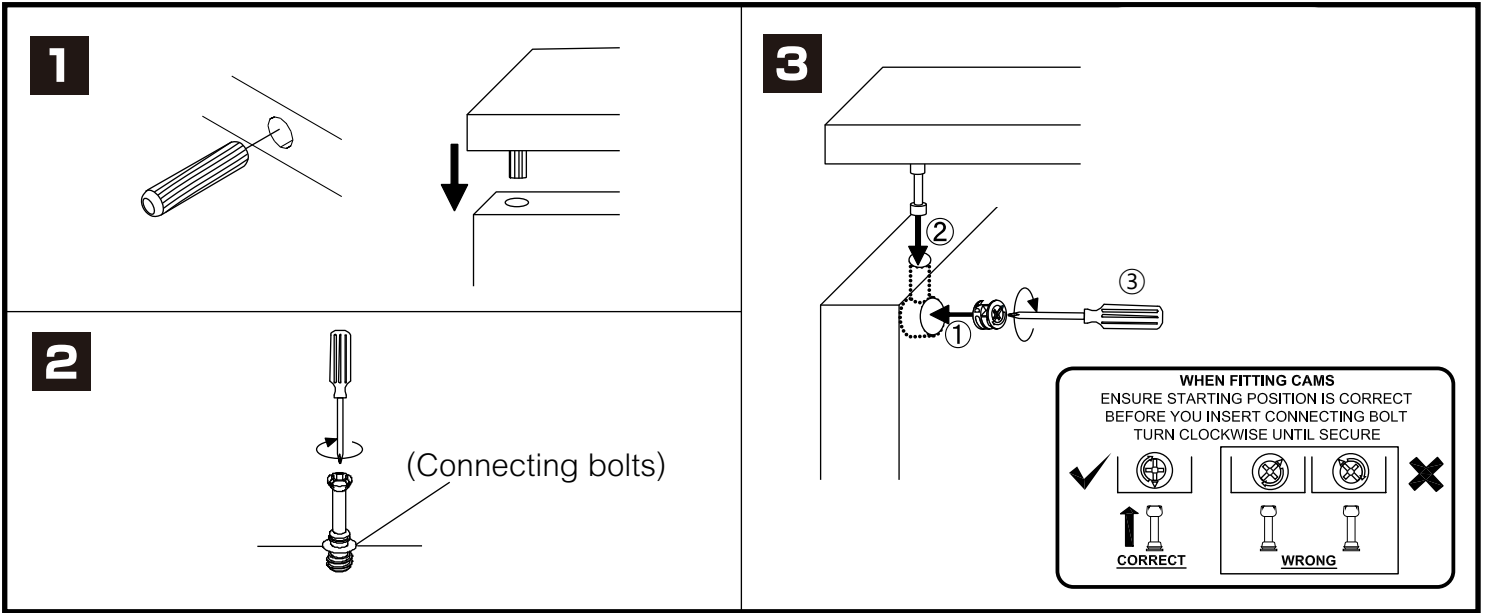


BRONX-P

BED 6 ft.

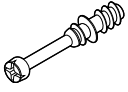


CONNECT SYSTEM



HARDWARE

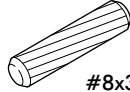
-BODY SET



X4

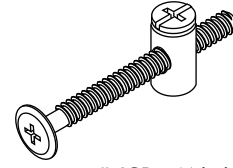


X4



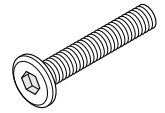
#8x35

X4



JCB+ M6x60

X6

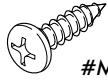


#TFL4 M8x50

X4



X4



#M4x16(P)

X19

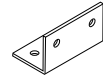


X4



#M4

X1

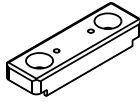


X2

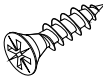


No.1

X3



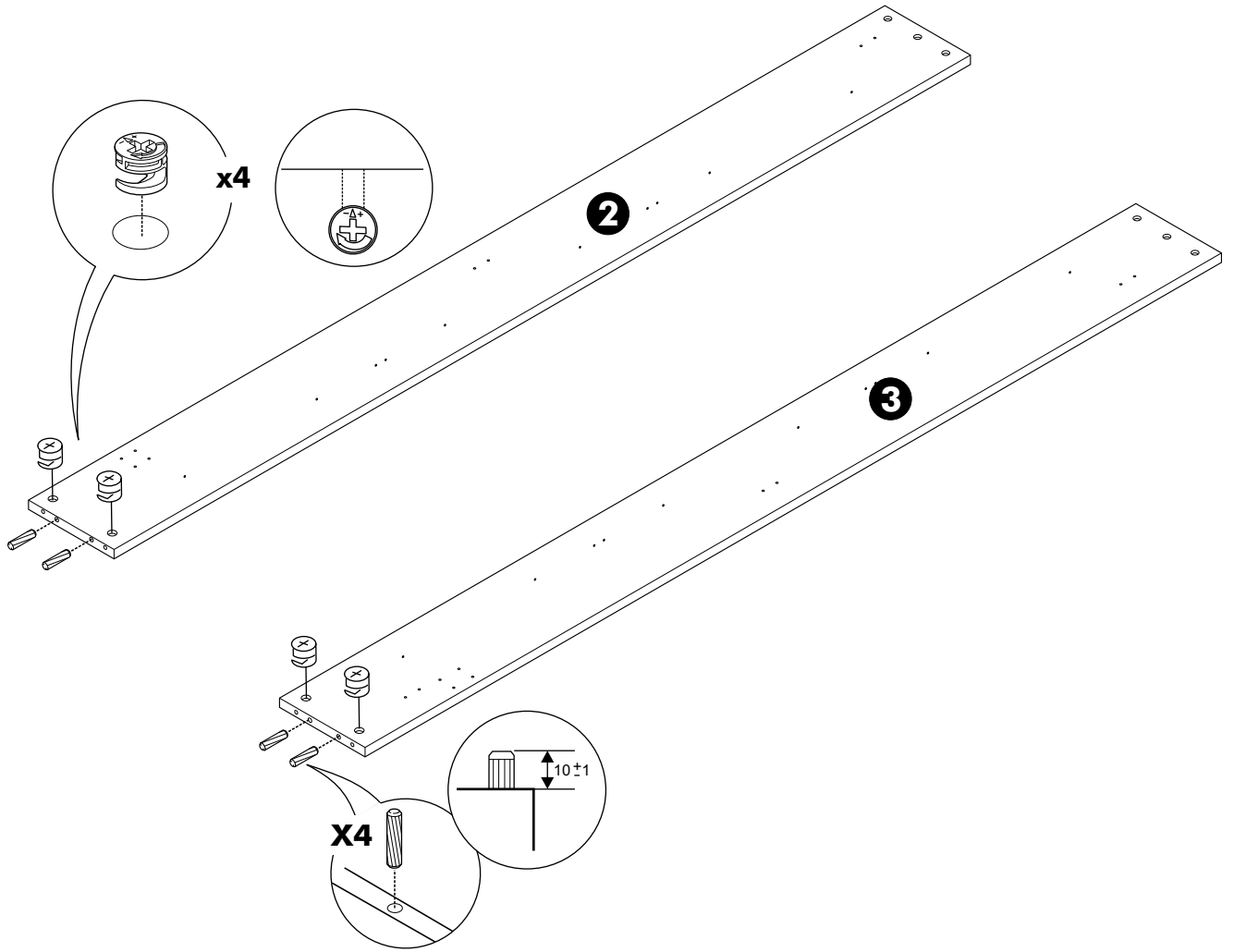
X9



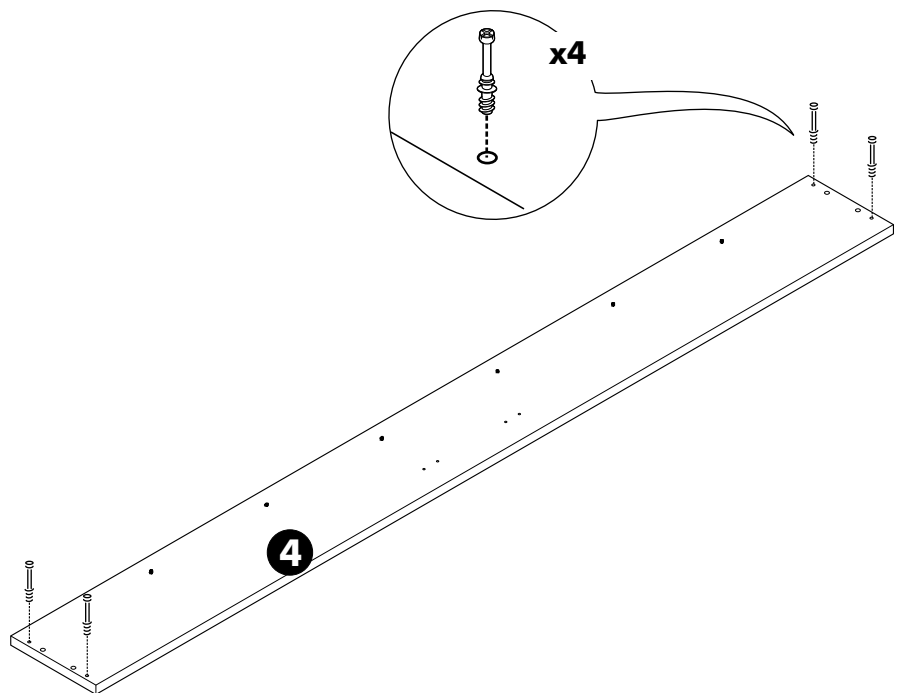
#M4x16(F)

X18

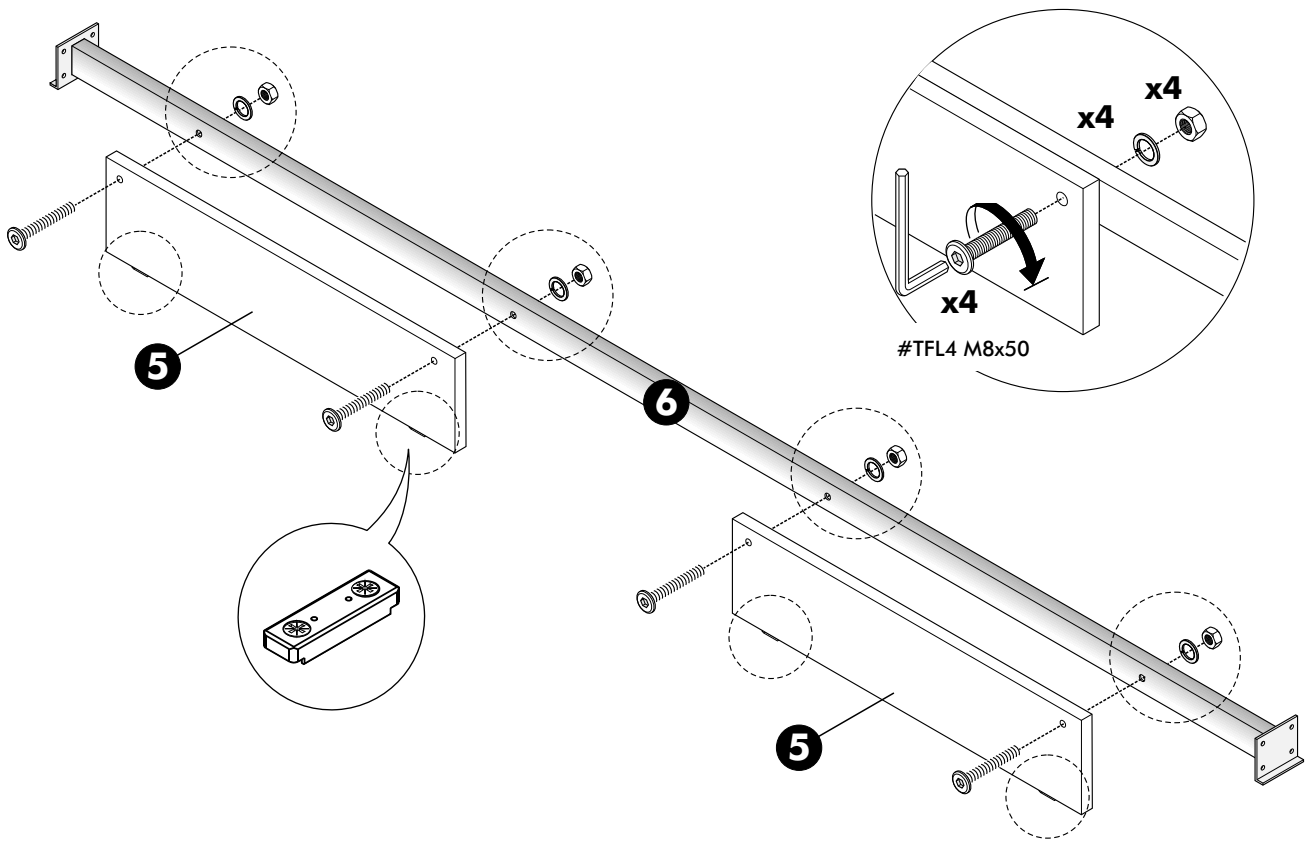
1.



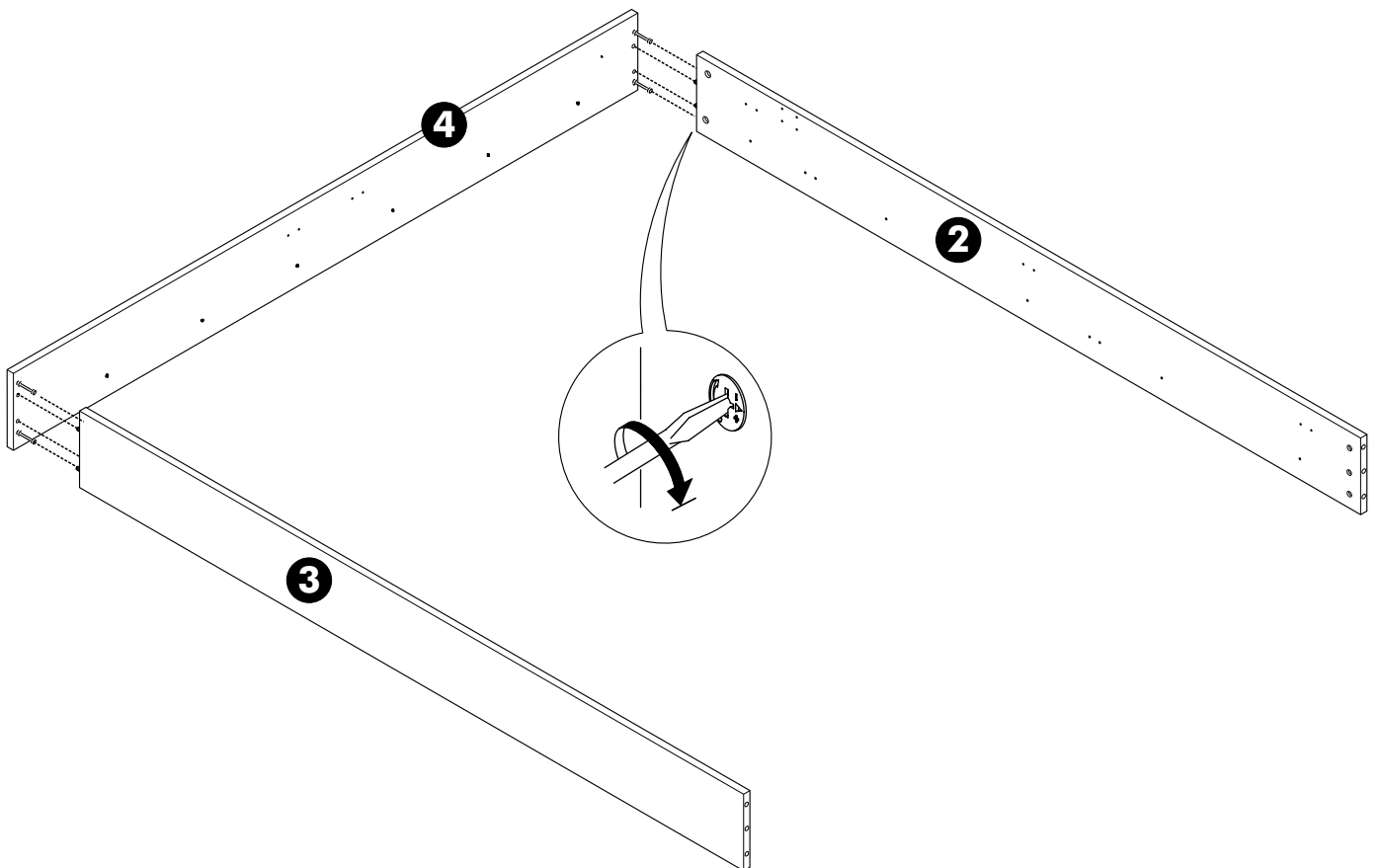
2.



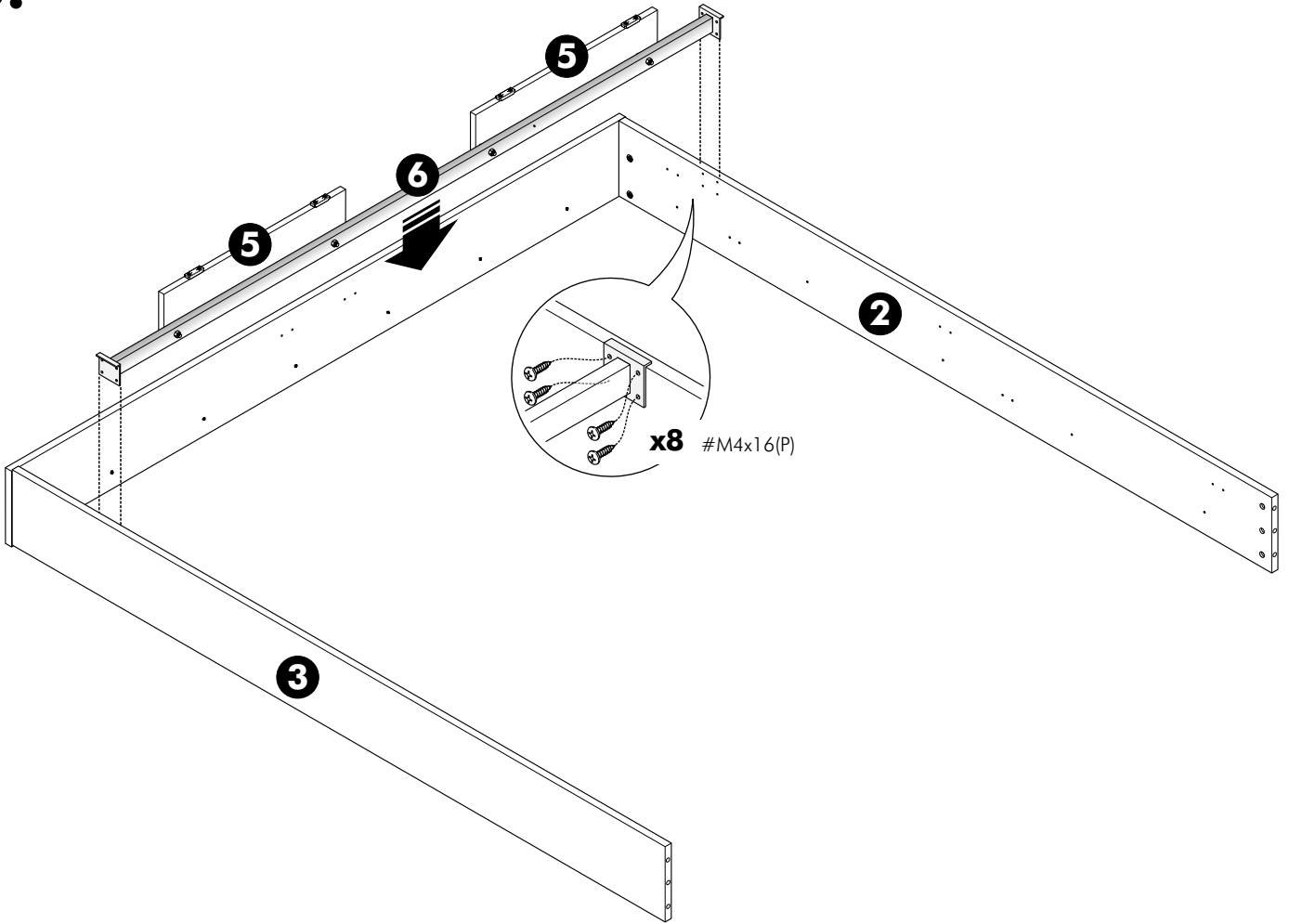
3.



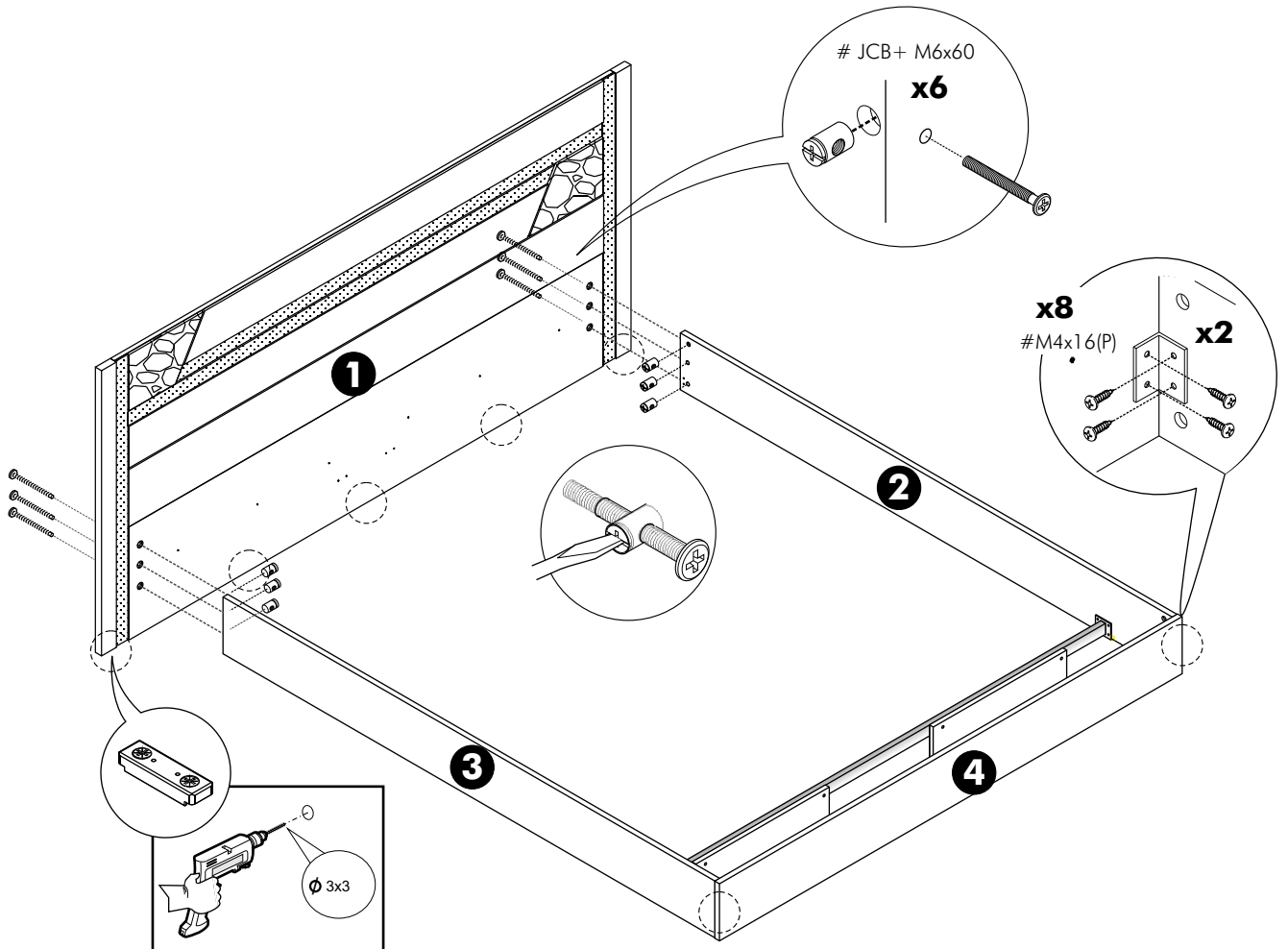
4.



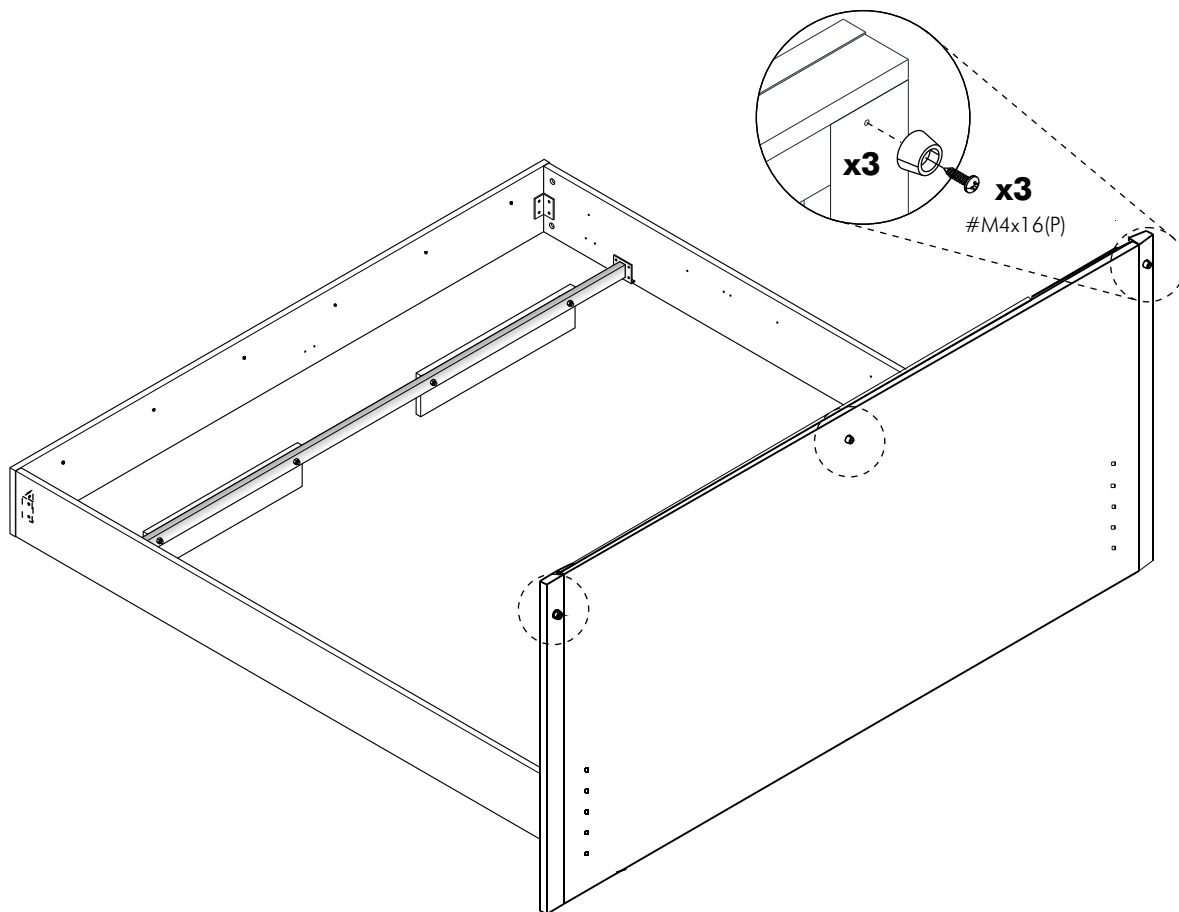
5.



6.



7.



8.

