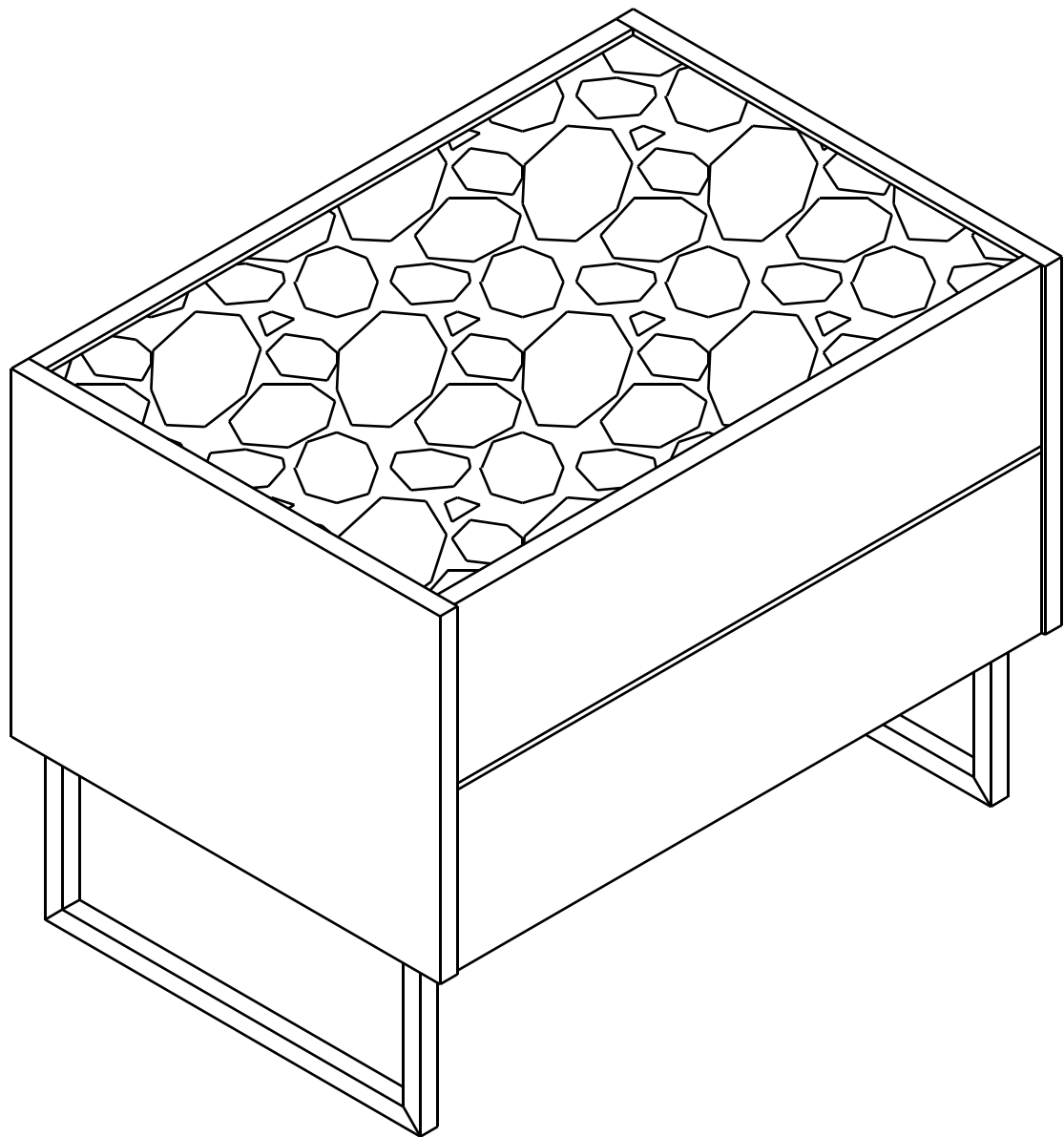
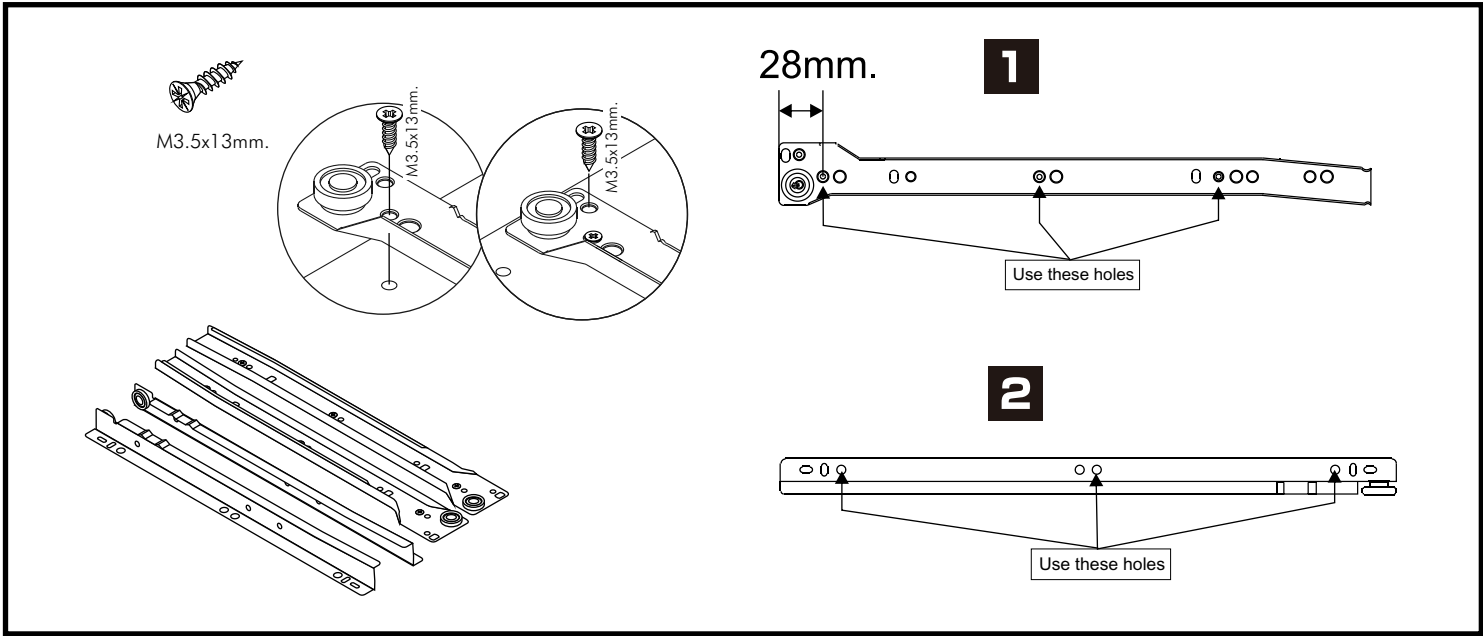
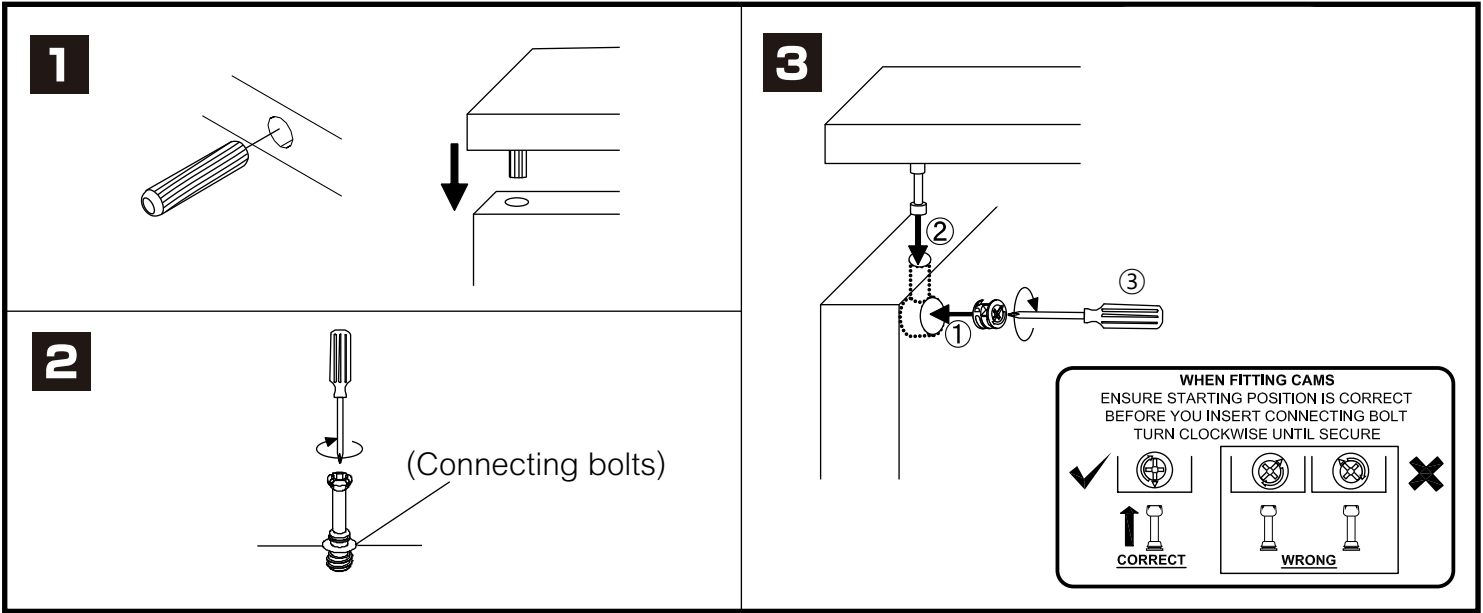


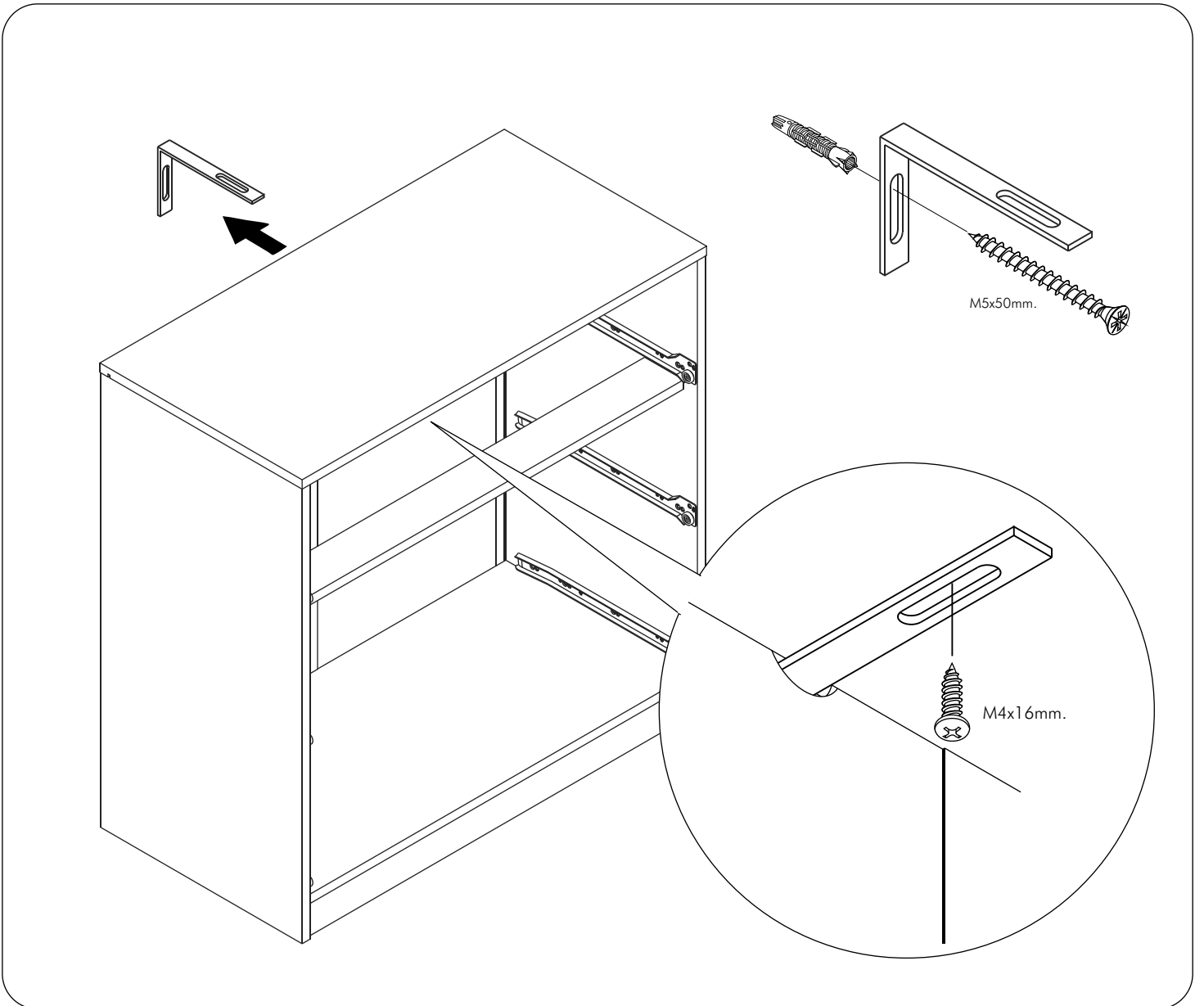
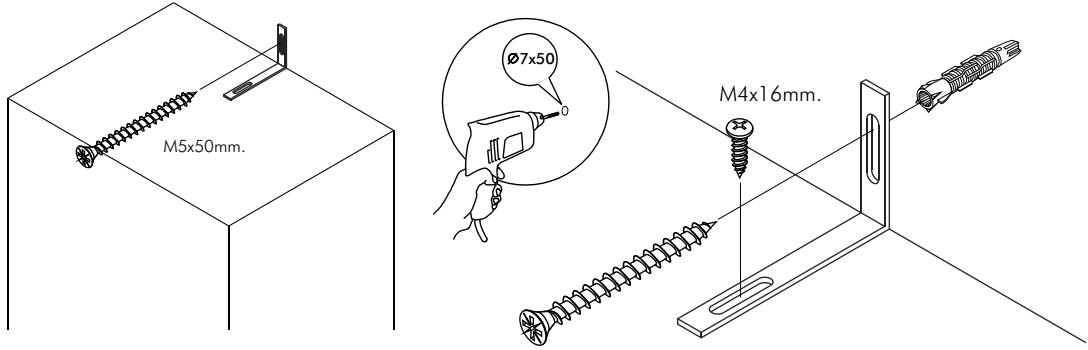
BRONX-P

Night table



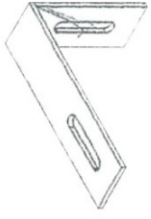
CONNECT SYSTEM



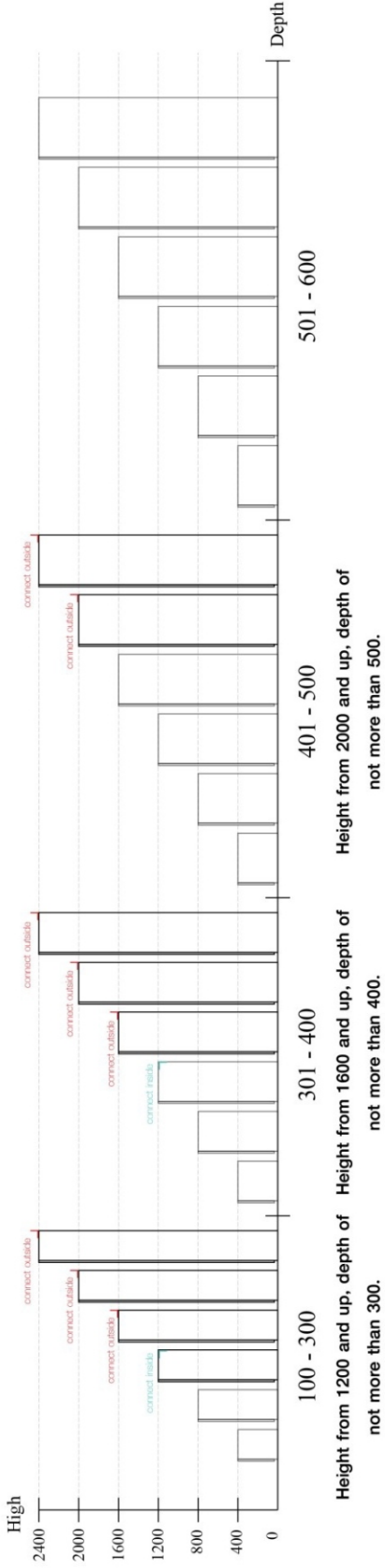


The Standard for identifying which mounted safety fall protection fitting to use **Note : That children's products must be installed with all anti-falling fittings.**

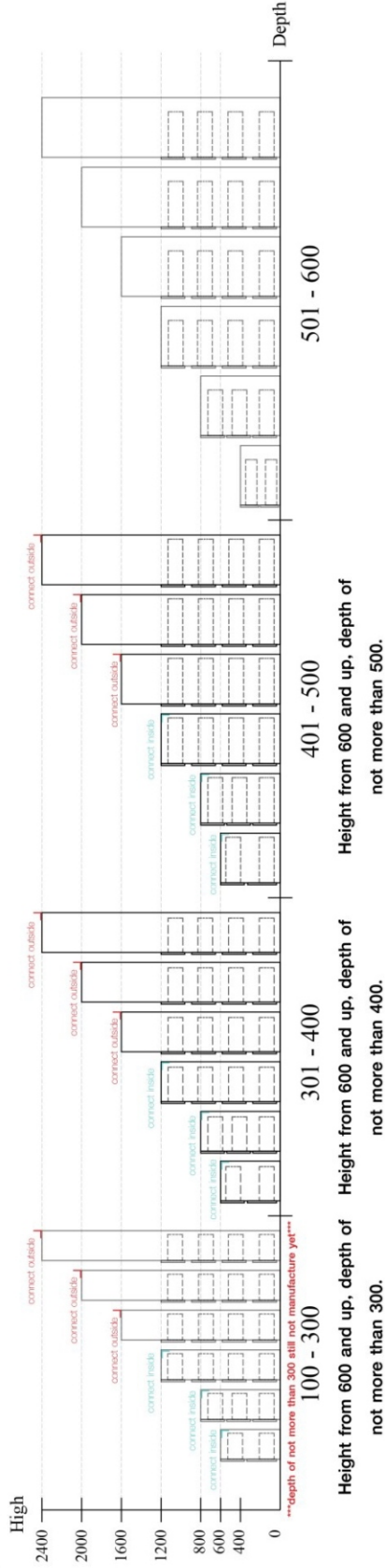
■ Mounted fall protection fittings



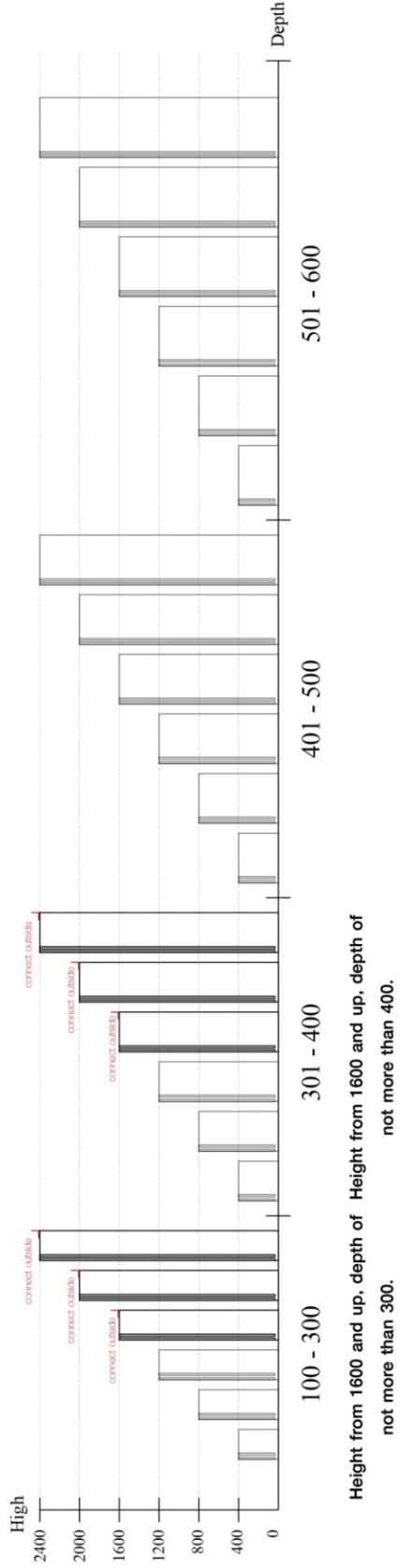
■ Category : Cabinet with open doors



■ Category : Chest of drawers

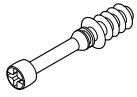


■ Category : Sliding door cabinet / Open cabinet



HARDWARE

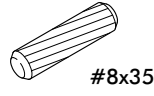
-BODY SET



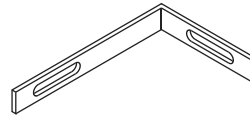
x 8



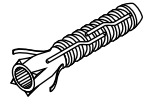
x 8



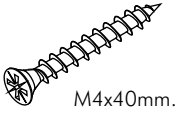
x 12



x 1



x 1



x 1



x 2



x 19

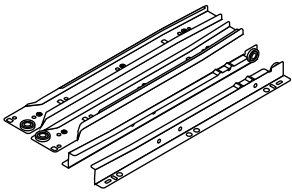


x 2

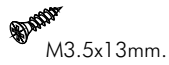


x 1

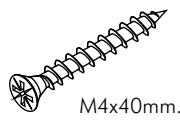
-DRAWER SET



x 1



x 14



x 10

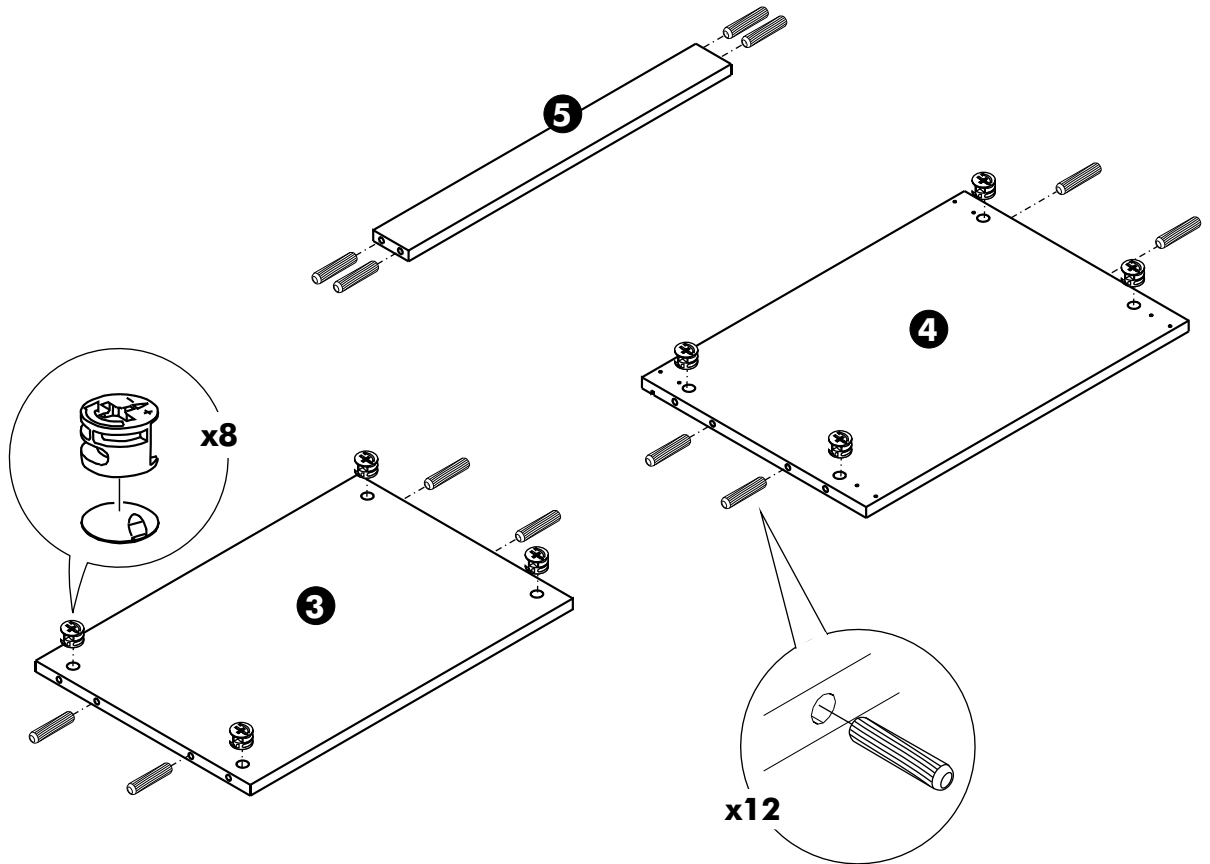


x 5

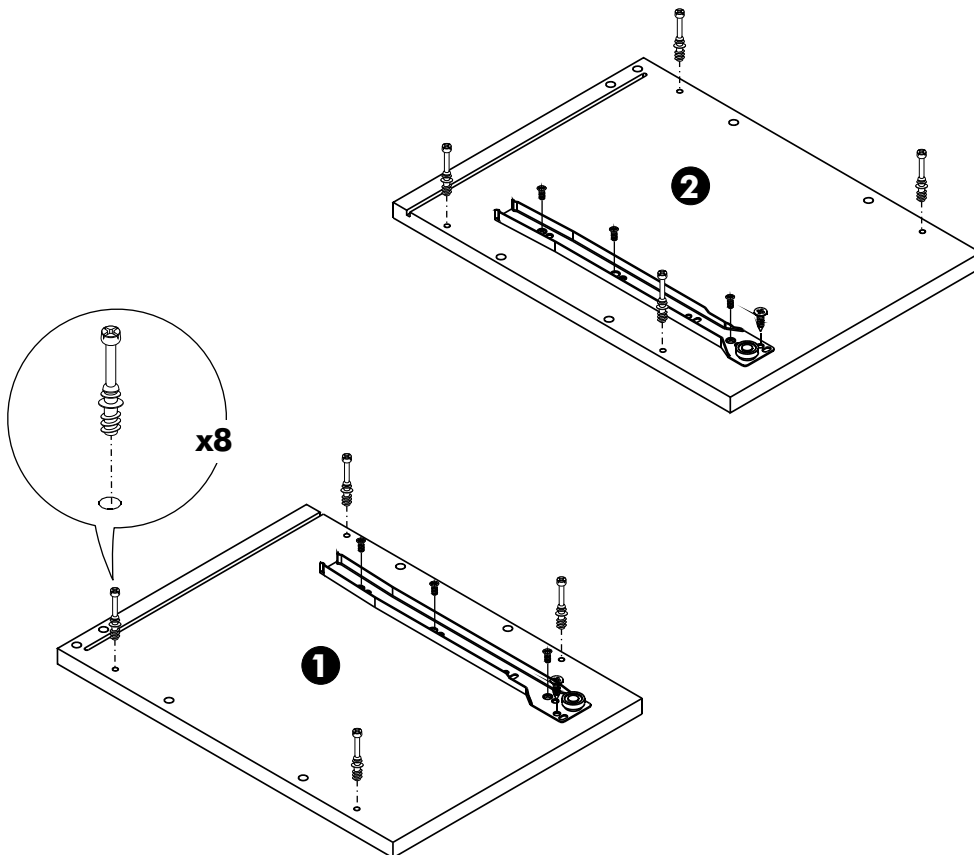


x 1

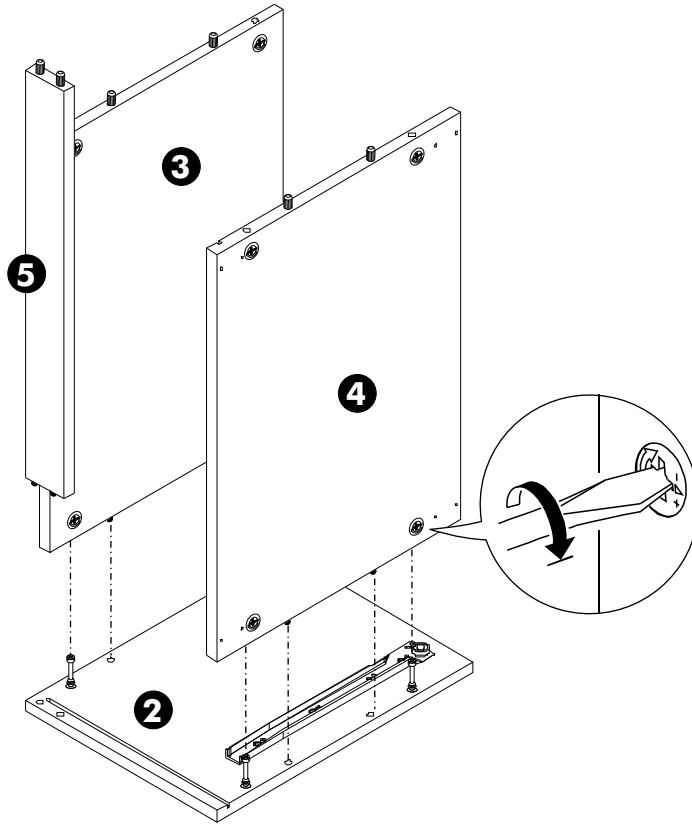
1.



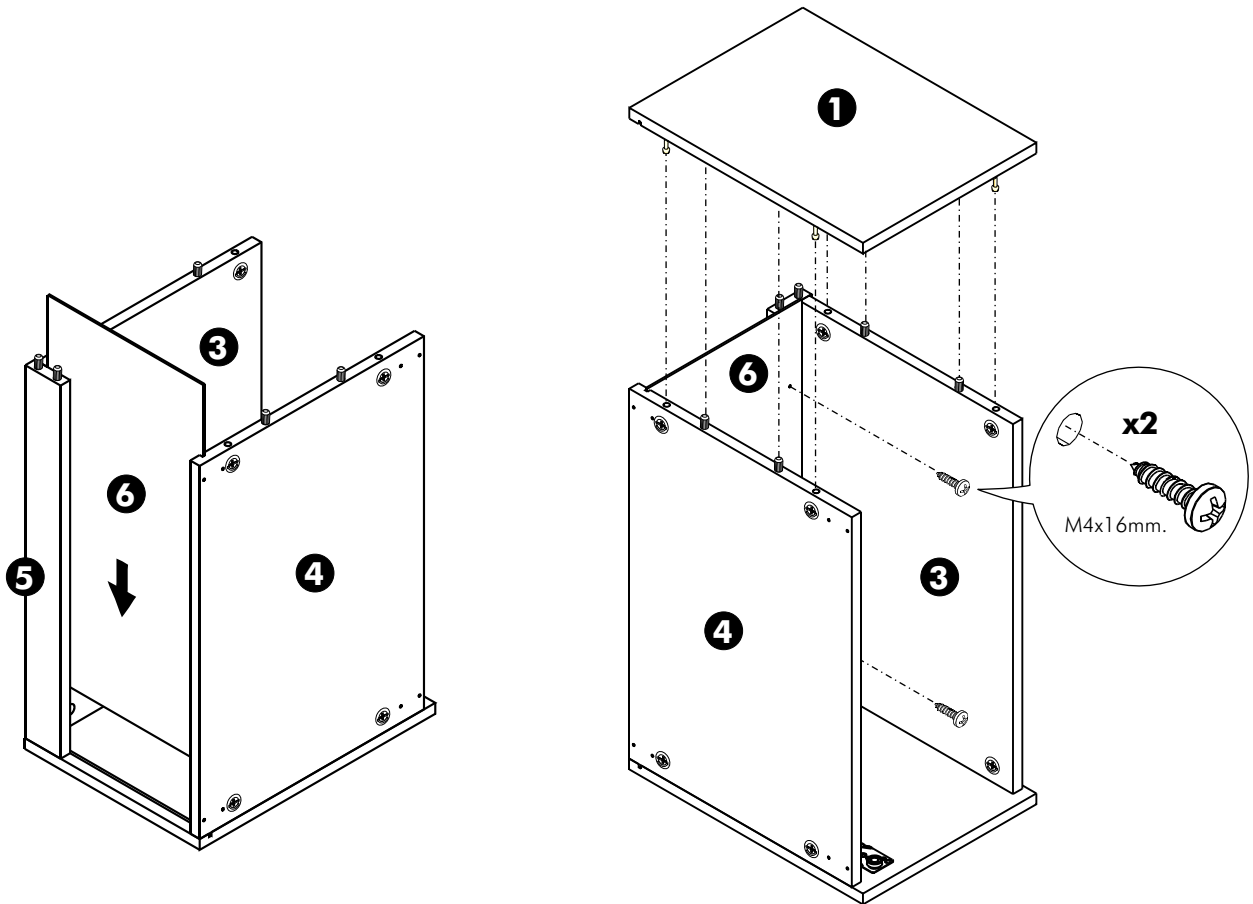
2.



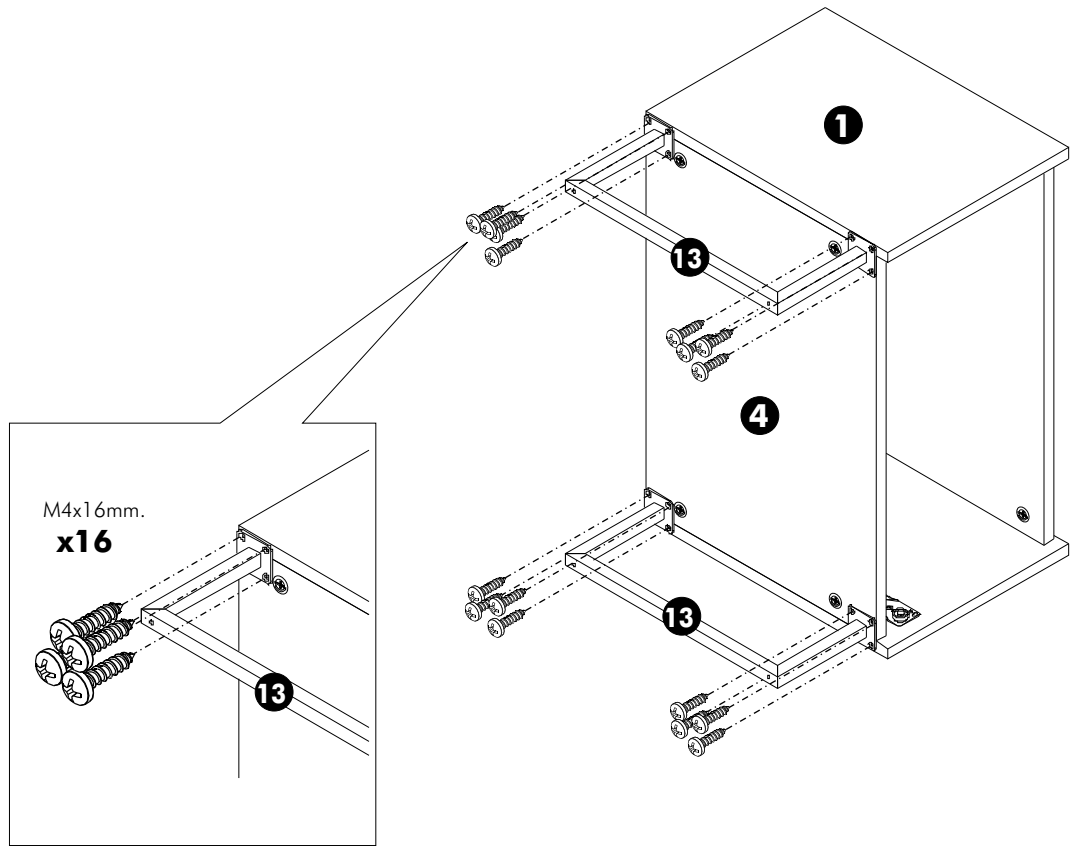
3.



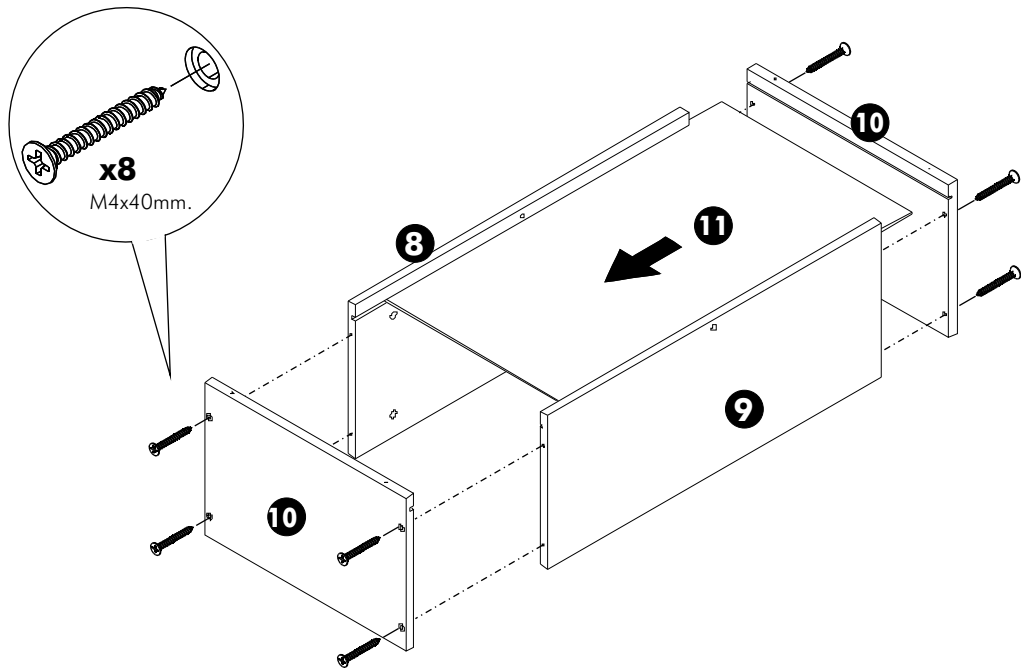
4.



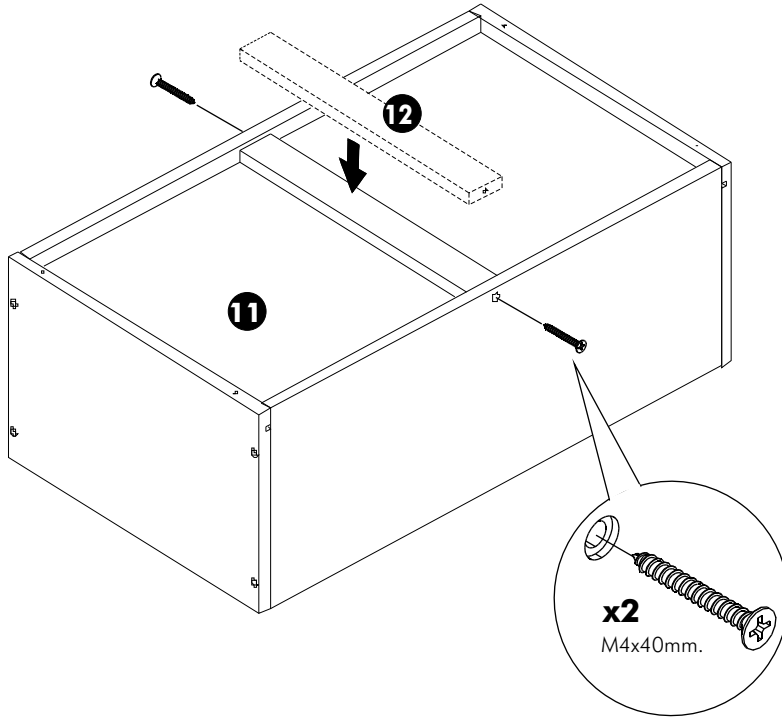
5.



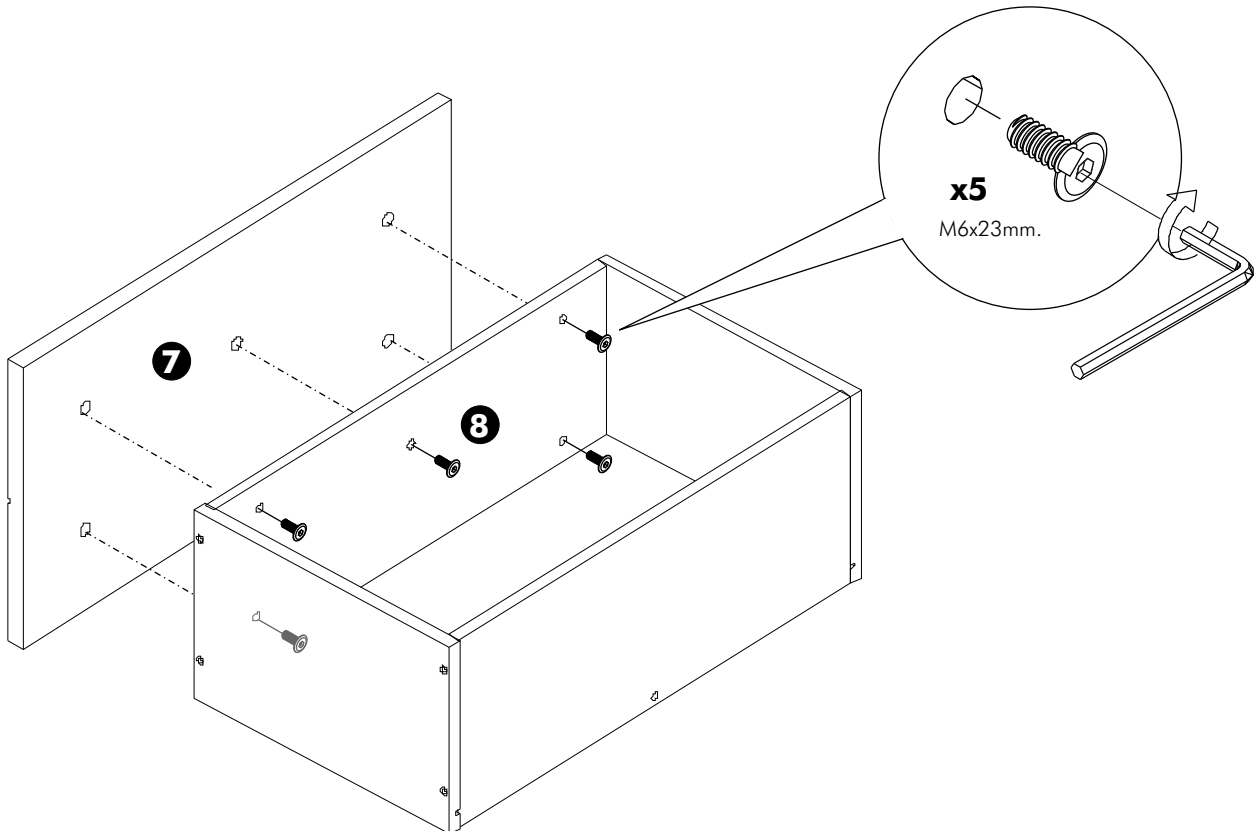
6.



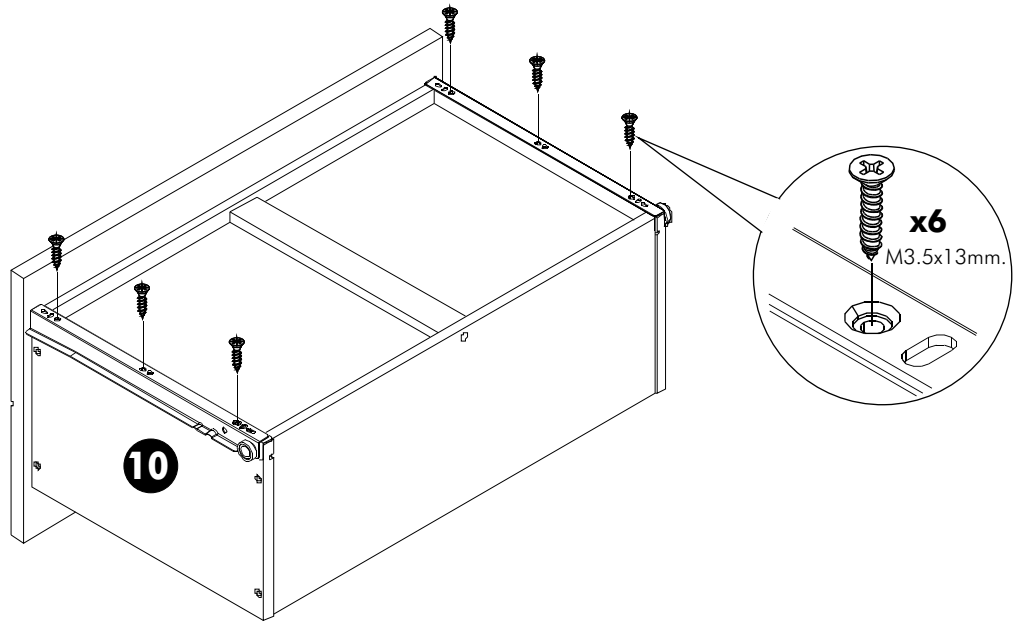
7.



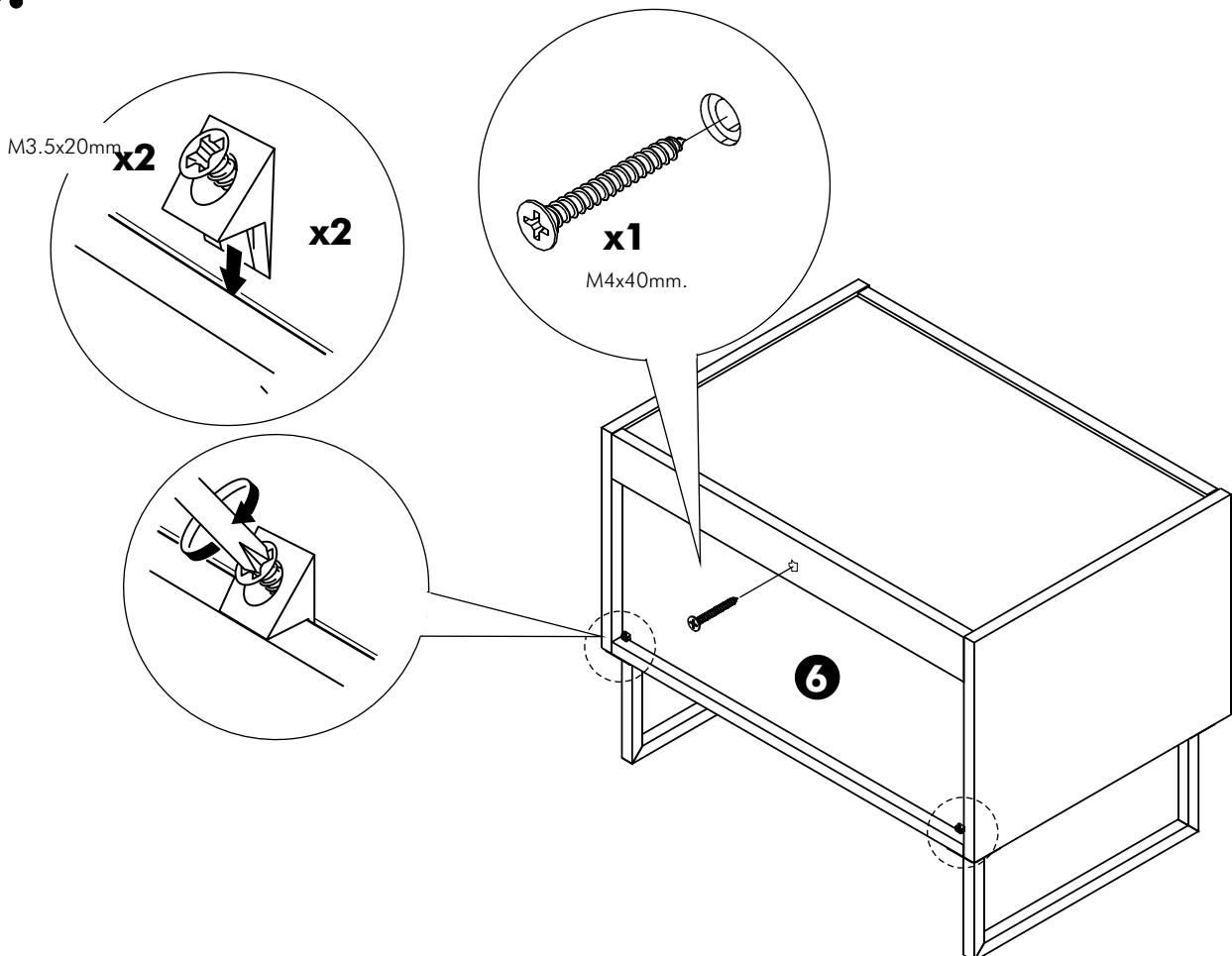
8.



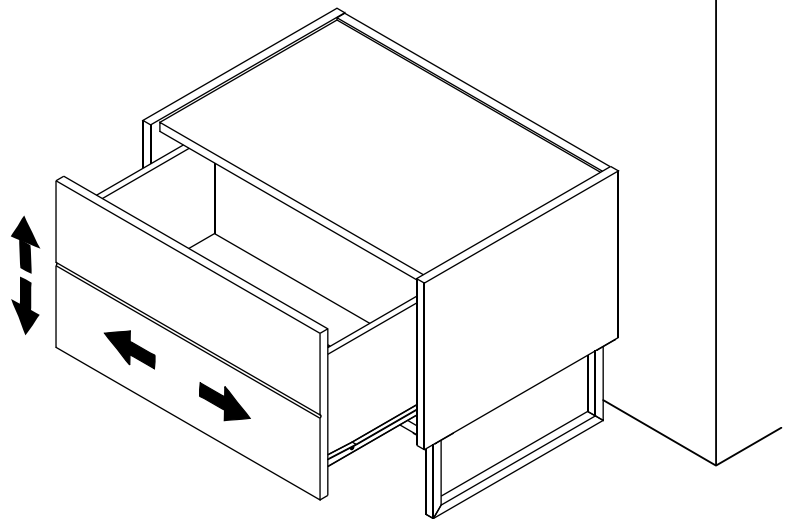
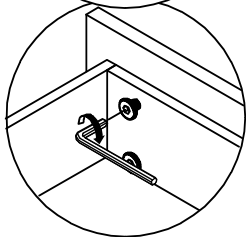
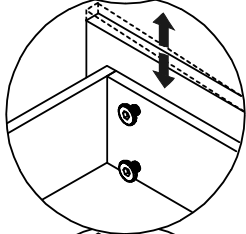
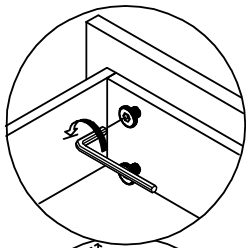
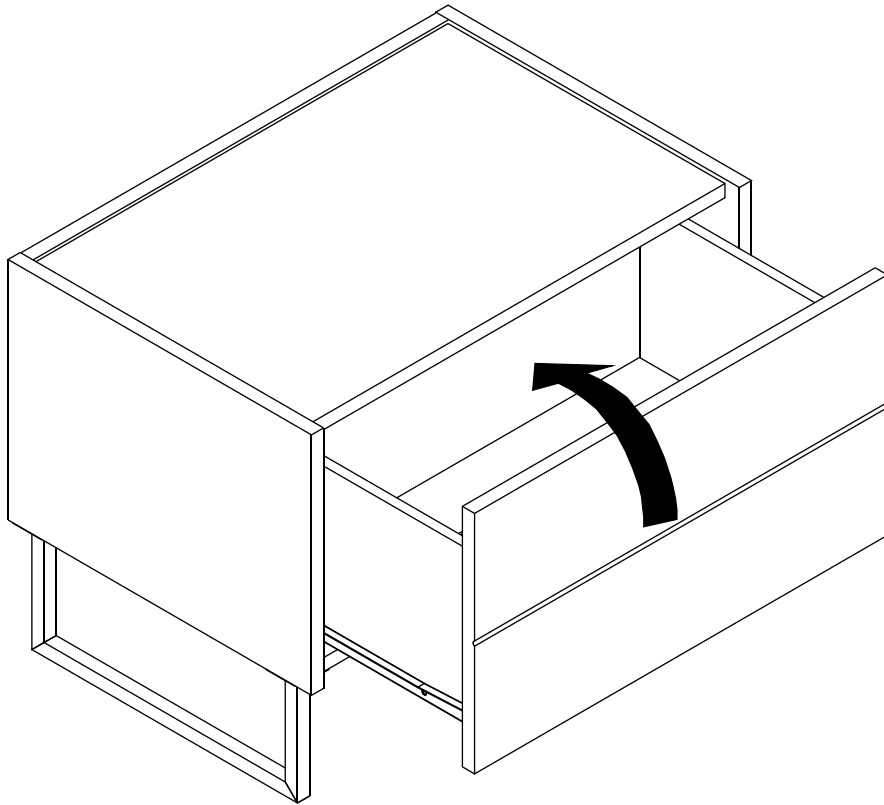
9.



10.



11.



AFTER FINISHED ASSEMBLY.

INCASE OF GAP BETWEEN DRAWERS ARE NOT ALIGN.
PLEASE ADJUST AS BELOW.

1. LOOSE SCREW A LITTLE BIT.
2. THEN MOVE FRONT DRAWER TO ALINGNMENT POSITION.
3. TIGHTEN SCREW.