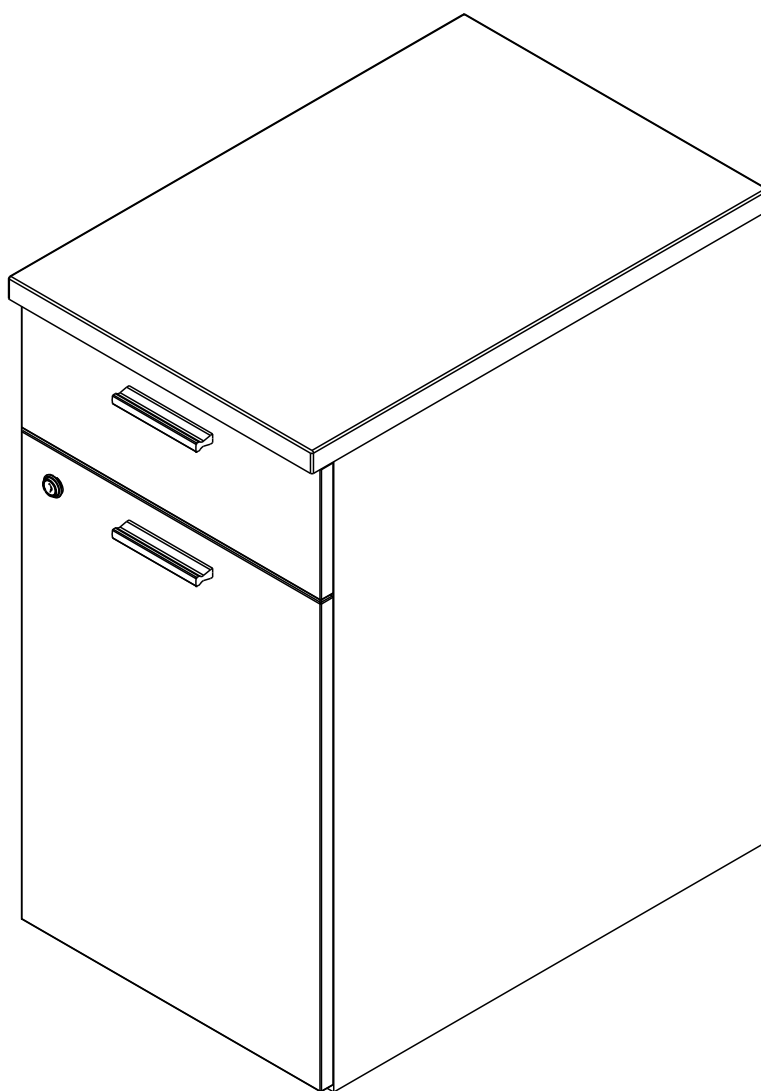
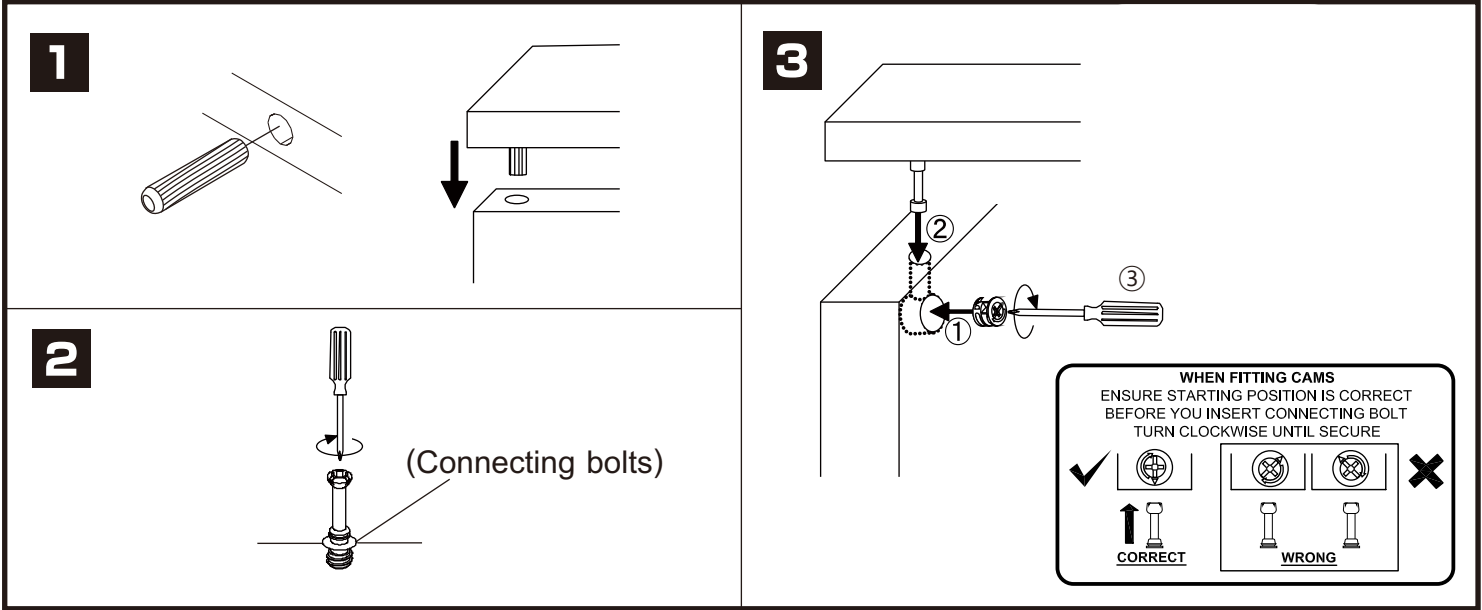


# ACTIVA-P

**Cabinet High Wheel B**

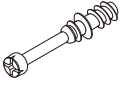


# CONNECT SYSTEM



# HARDWARE

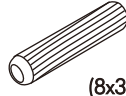
## - BODY SET



**x 12**

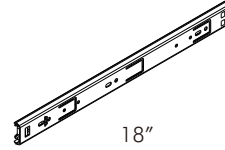


**x 12**



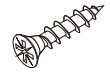
(8x35)

**x 14**



18"

**x 1set**



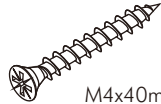
M3.5x12mm.

**x 24**



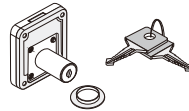
M6x23mm.

**x 2**

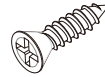


M4x40mm.

**x 10**



**x 1**



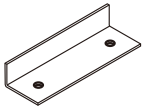
6x3/4"mm.

**x 4**



M4x50mm.

**x 14**

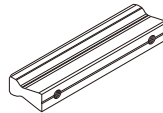


**x 1**



5x3/8"mm.

**x 2**

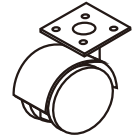


**x 2**

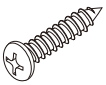


M4x22mm.

**x 4**

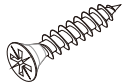


**x 1**



M4x16mm.

**x 4**

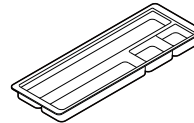


M3.5x20mm.

**x 6**



**x 6**

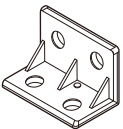


**x 1**



M4x16mm.

**x 16**



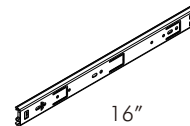
**x 2**



**x 4**

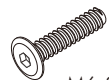


**x 1**



16"

**x 1set**



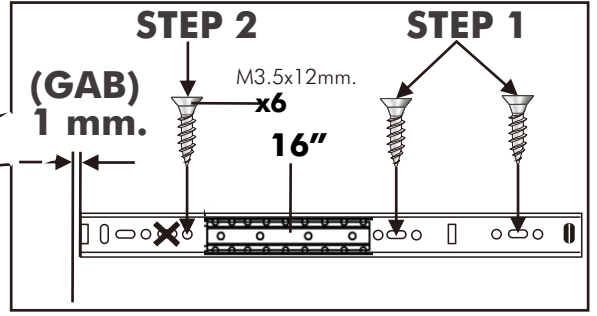
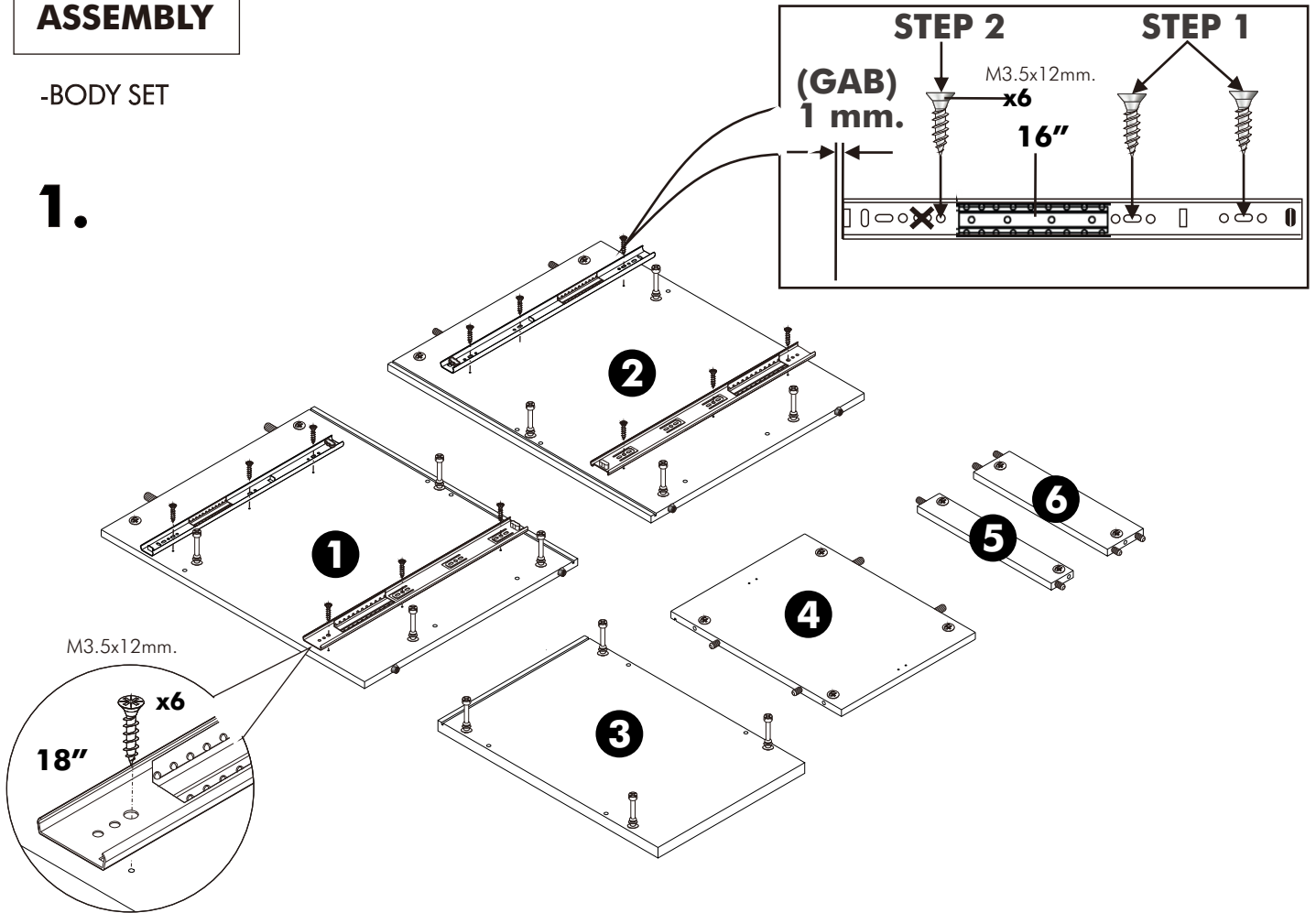
M6x30mm.

**x 4**

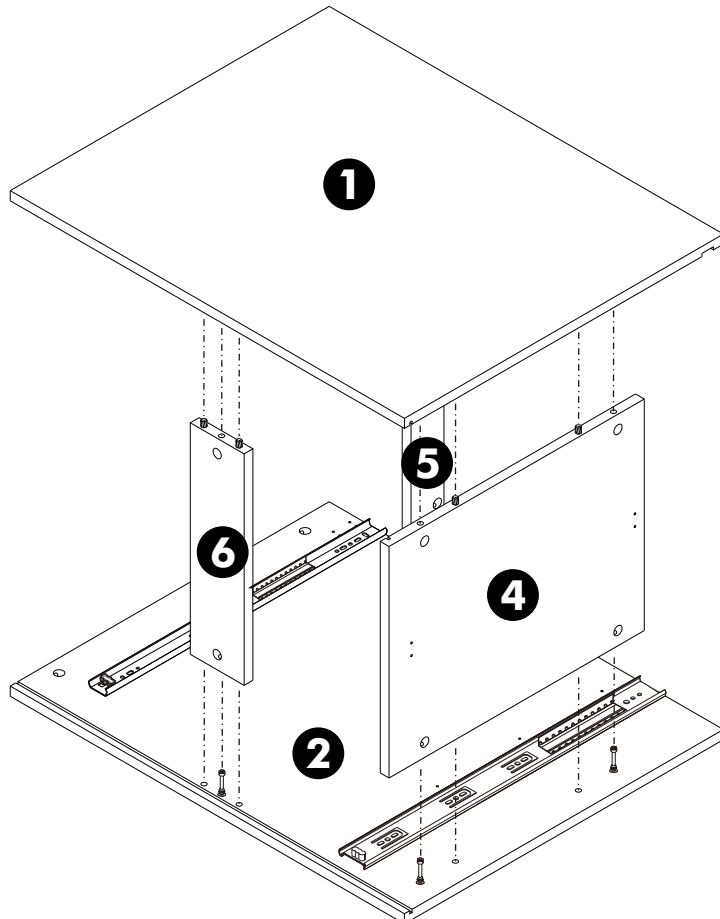
# ASSEMBLY

-BODY SET

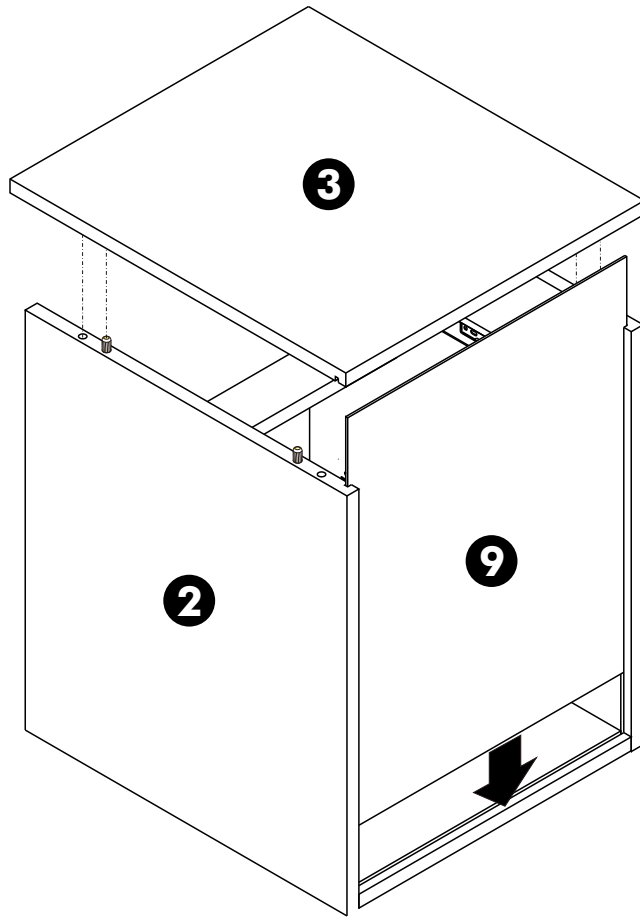
## 1.



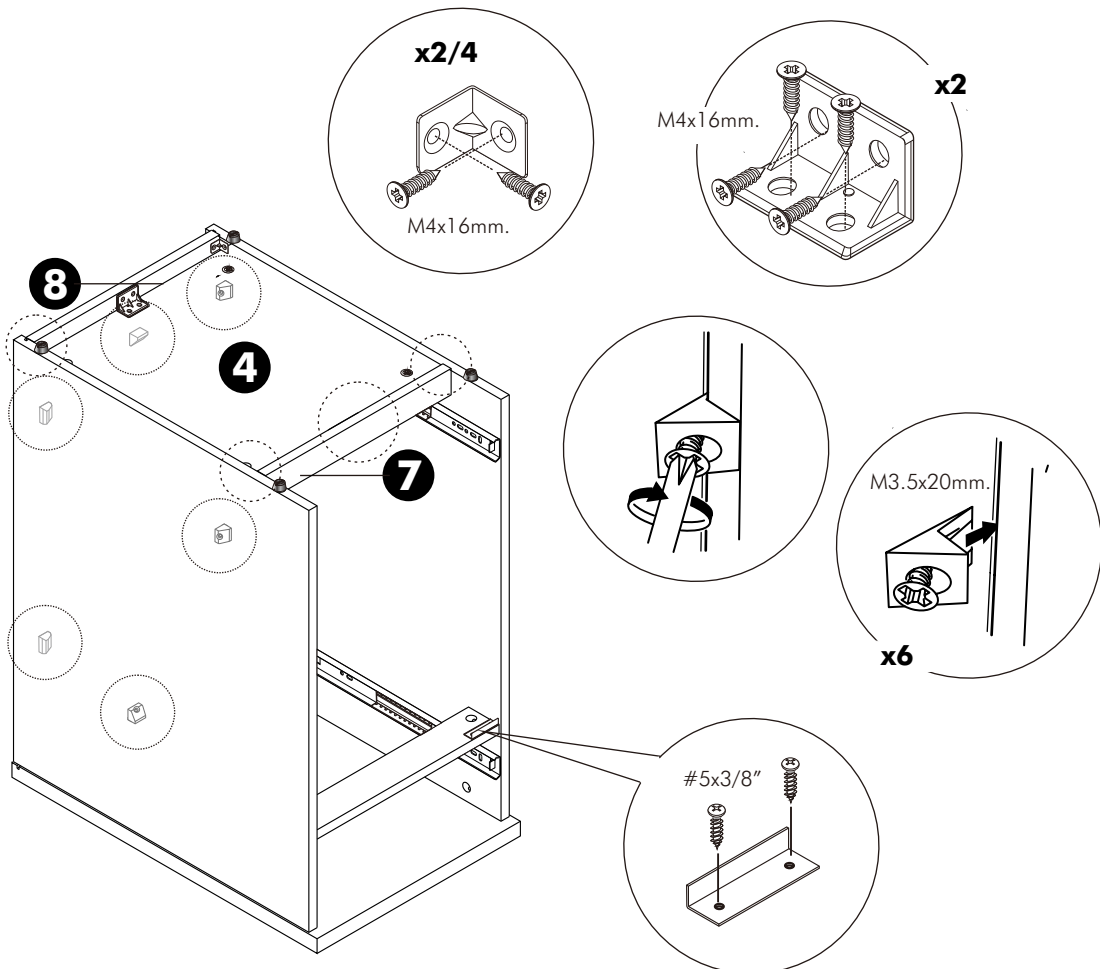
## 2.



**3.**

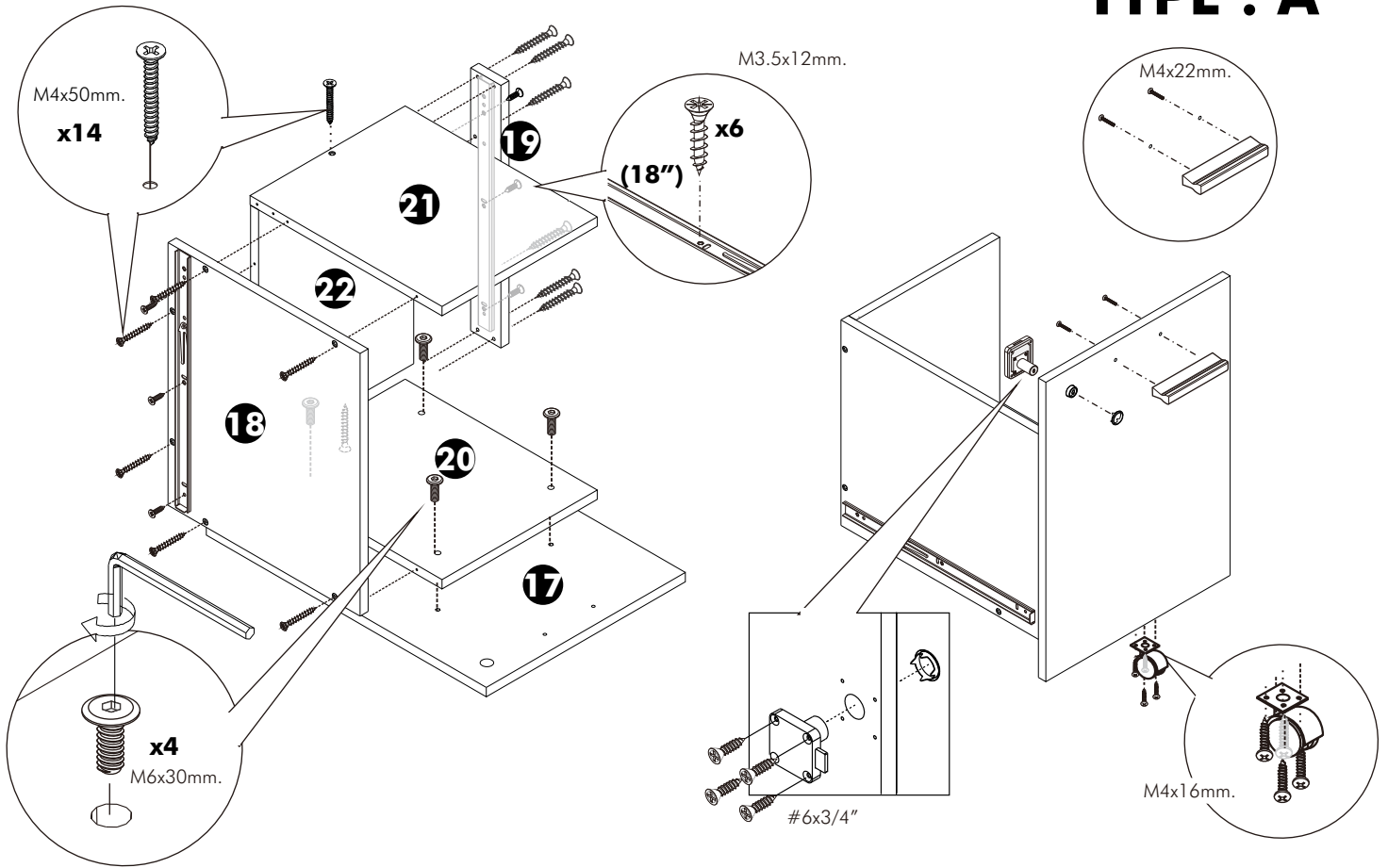


**4.**



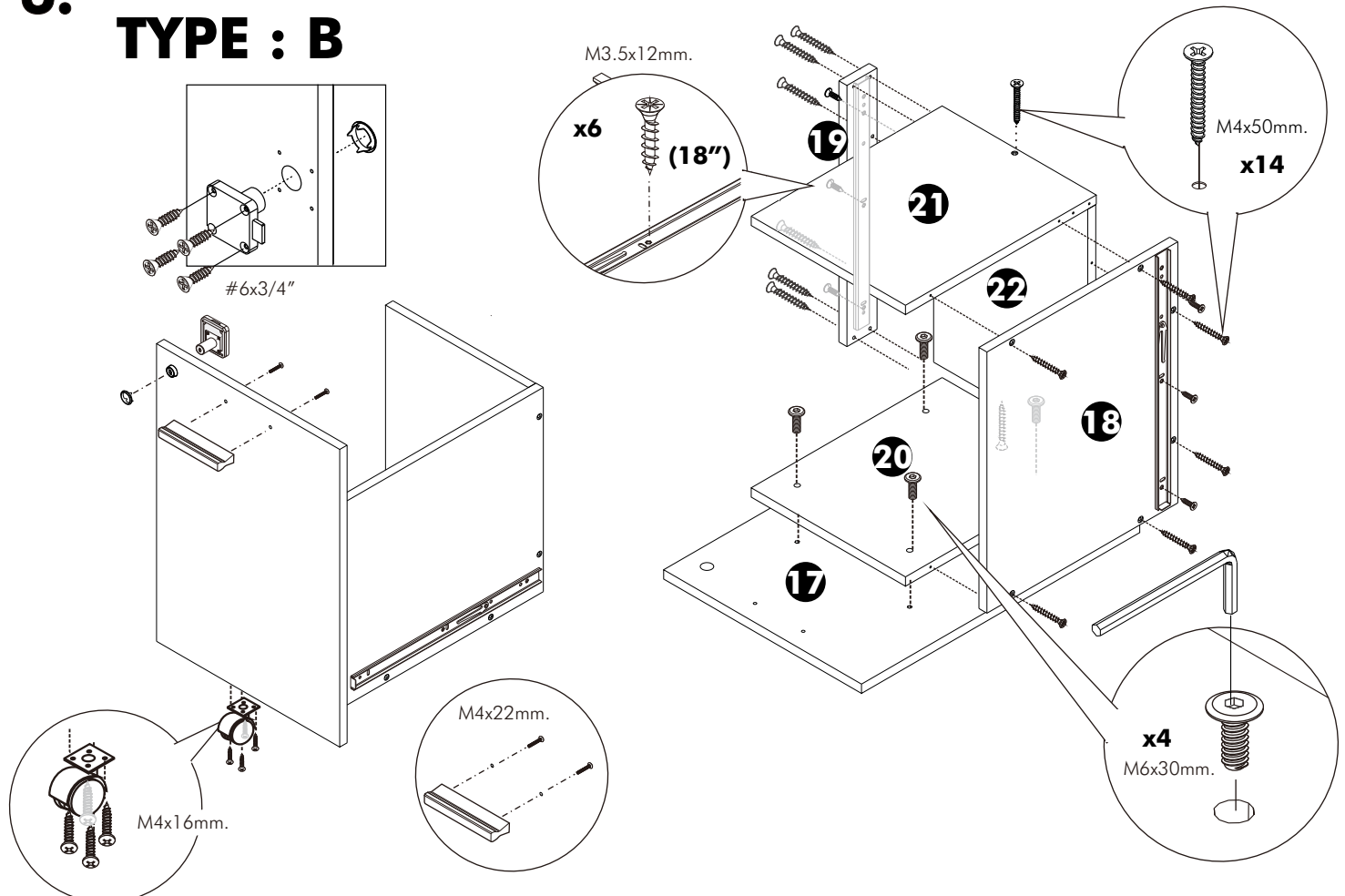
5.

TYPE : A

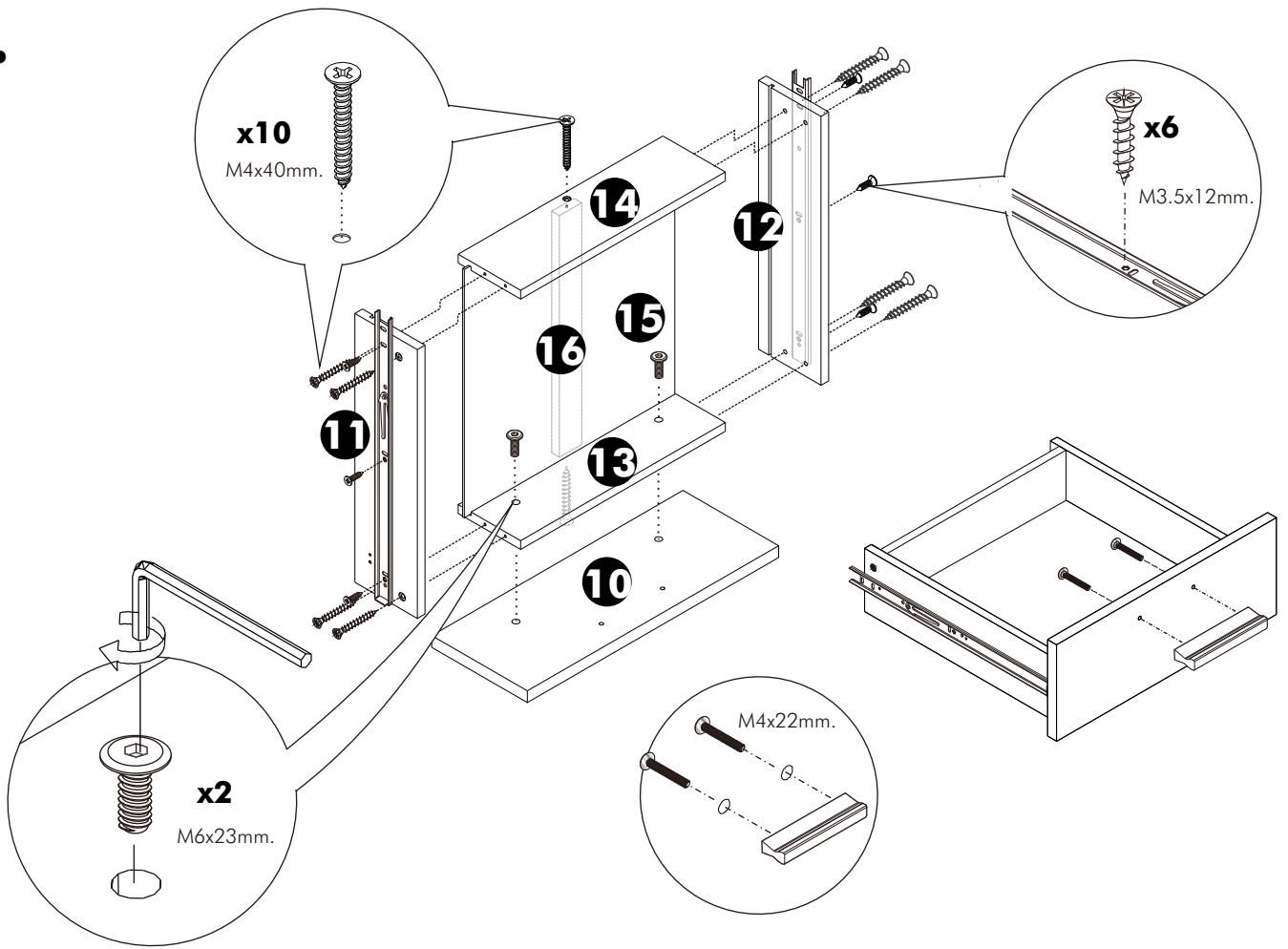


6.

TYPE : B



**7.**



**8.**

