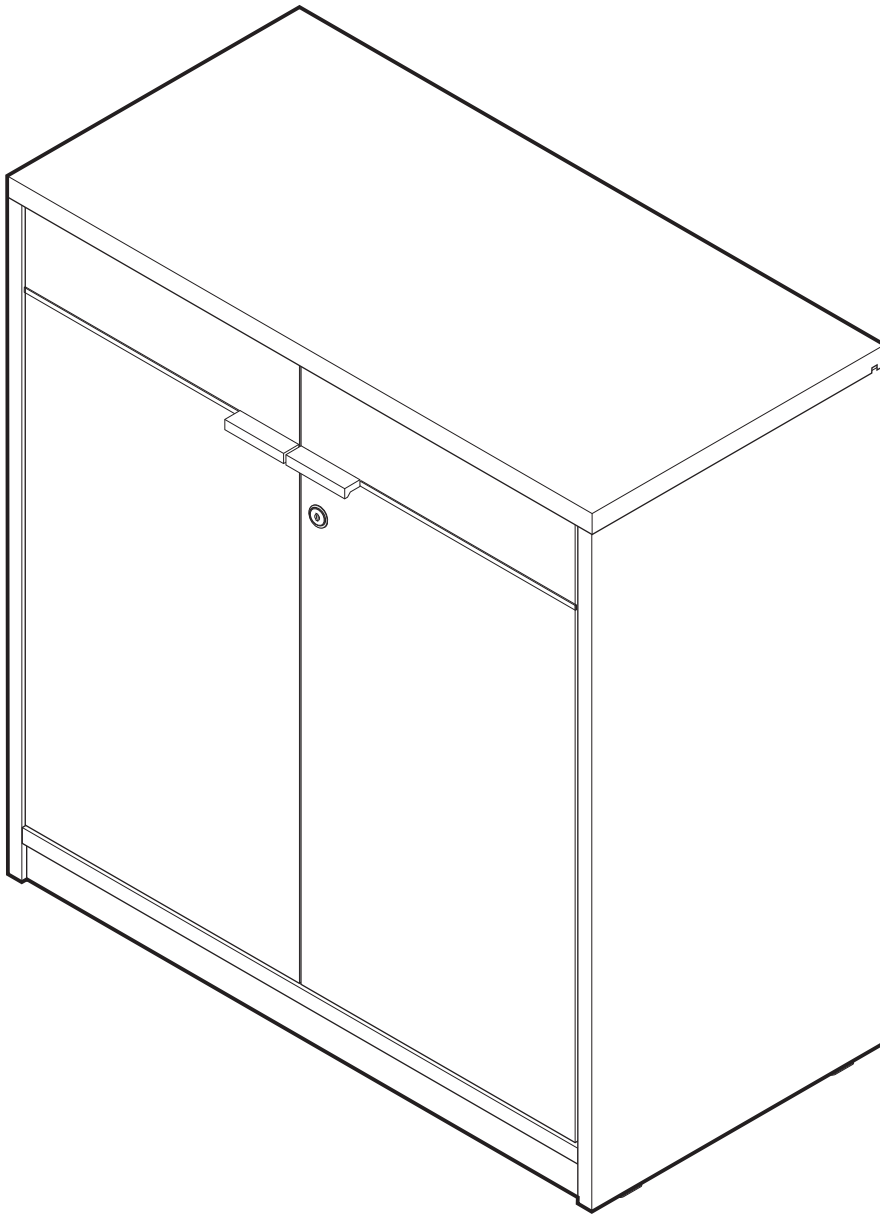


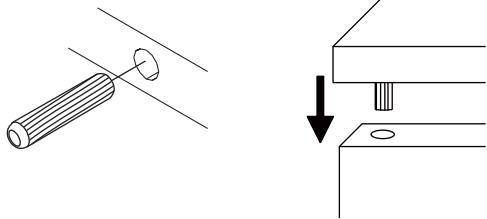
VECTRA-P

Low cabinet 2 doors 80 cm.

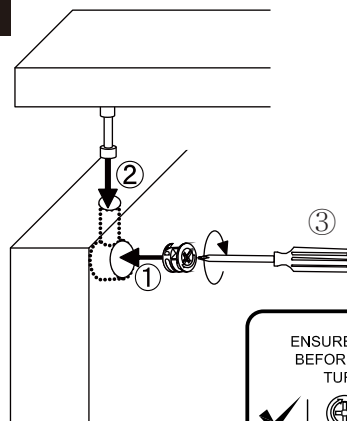


CONNECTOR

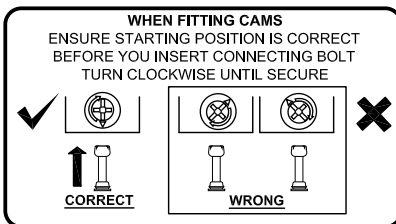
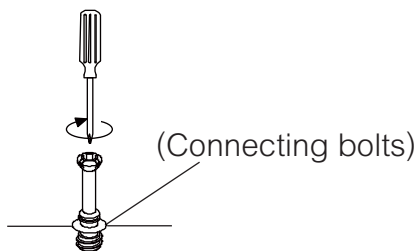
1



3

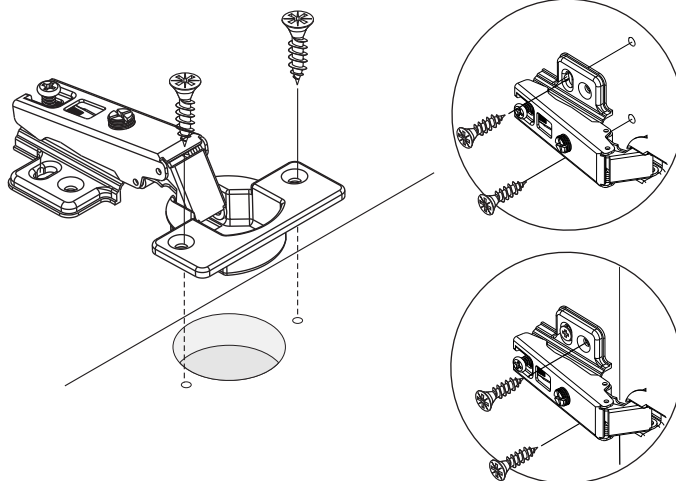
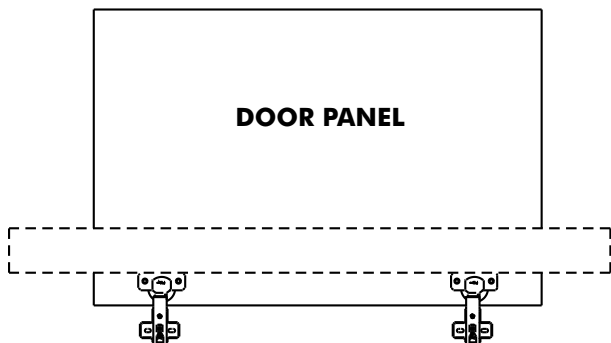


2

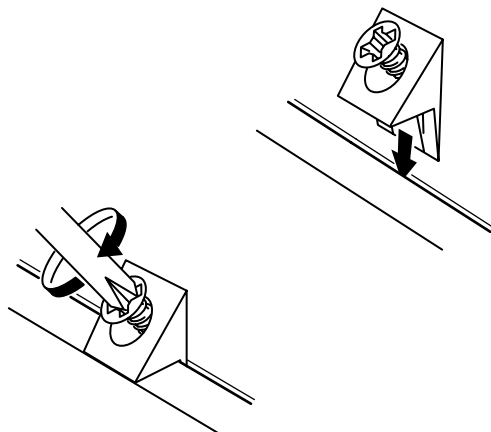
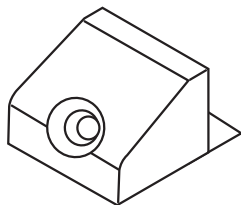


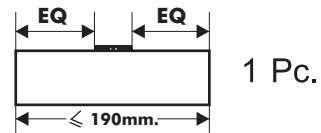
M4x16mm.

DOOR PANEL

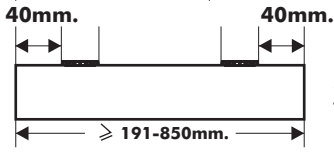


M3.5x20mm.

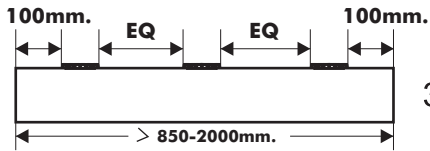




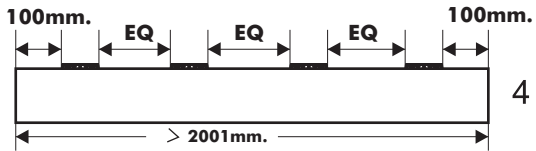
1 Pc.



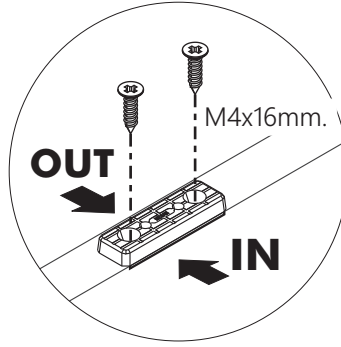
2 Pcs.



3 Pcs.



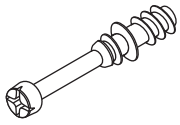
4 Pcs.



	 40mm.	
	 EQ	

HARDWARE

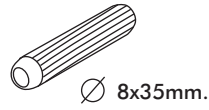
- BODY SET



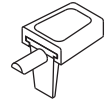
X 8



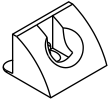
X 8



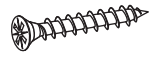
X 8



X 4

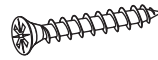


X 8



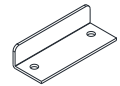
#M 3.5x20mm. (F)

X 8



#M 4x25mm. (F)

X 6



X 1



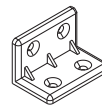
F+4x1/2"

X 2

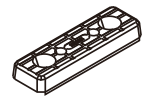


#M 4x16mm. (F)

X 32

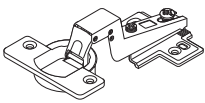


X 6



X 4

- DOORS SET

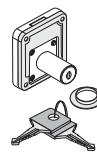


X 4

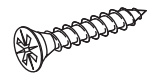


#M 4x16mm. (F)

X 24

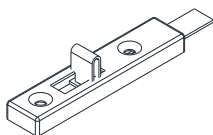


X 1



#5x3/4" (F)

X 4

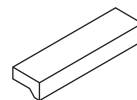


X 1



F+3.5x13

X 1



X 2

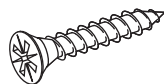


#M 4x22mm.

X 4



X 1



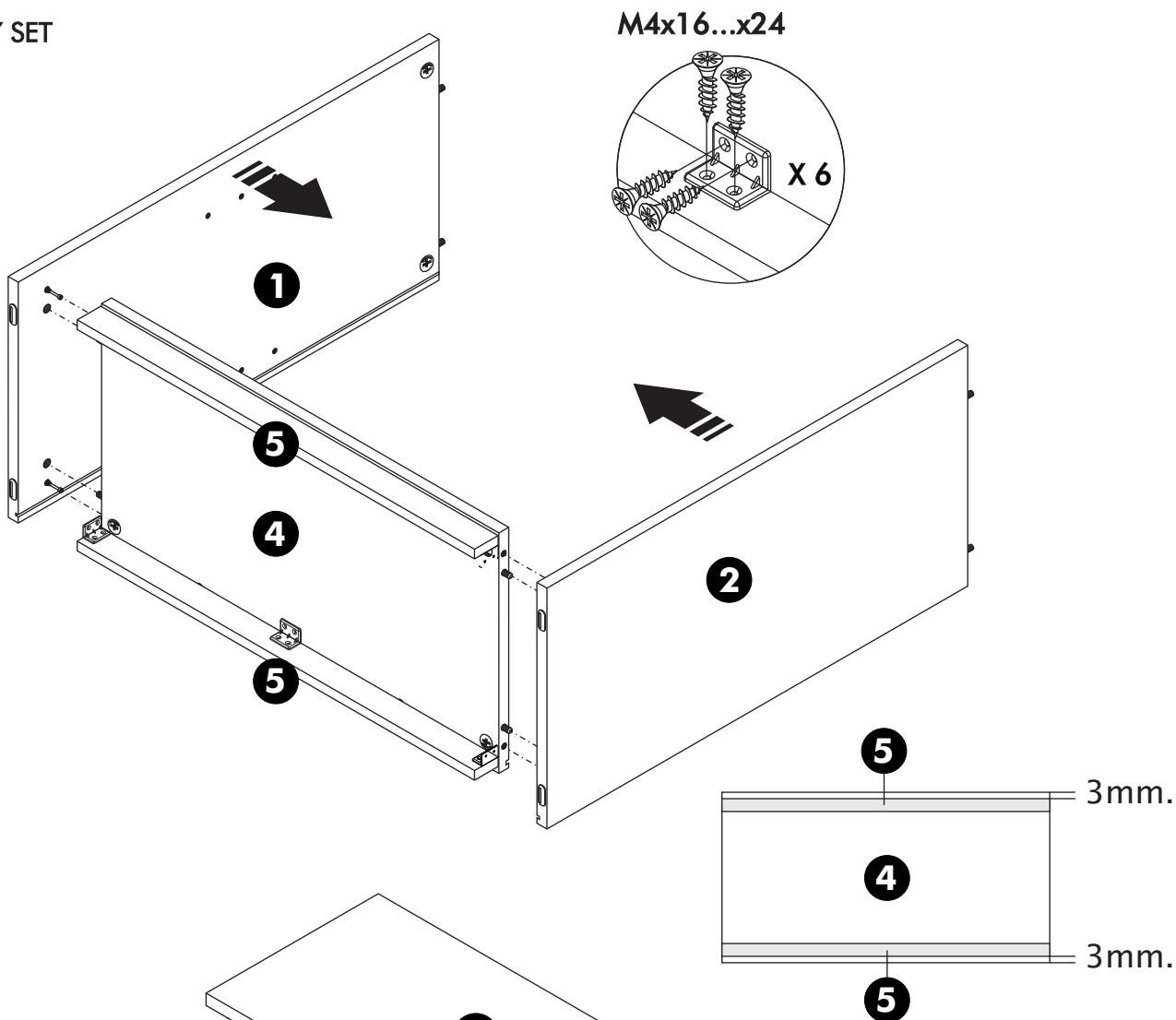
#6x3/4" (F)

X 2

ASSEMBLY

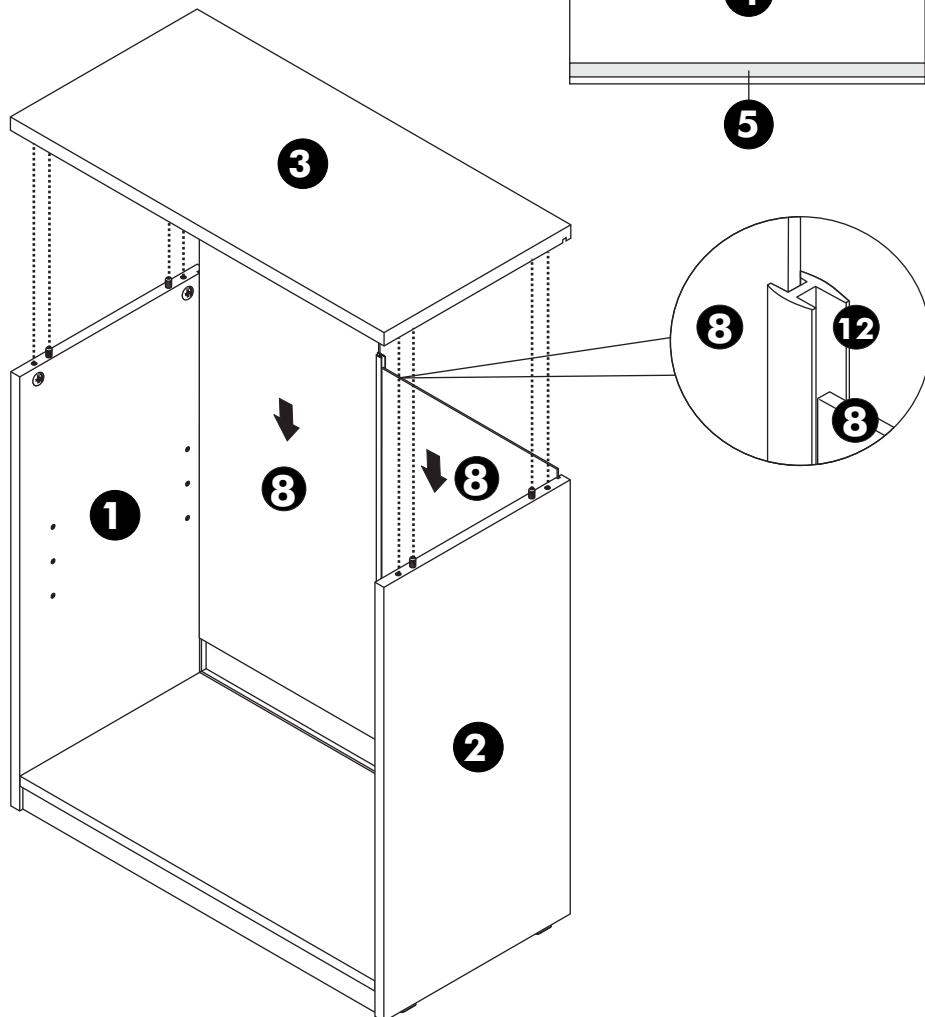
-BODY SET

1.



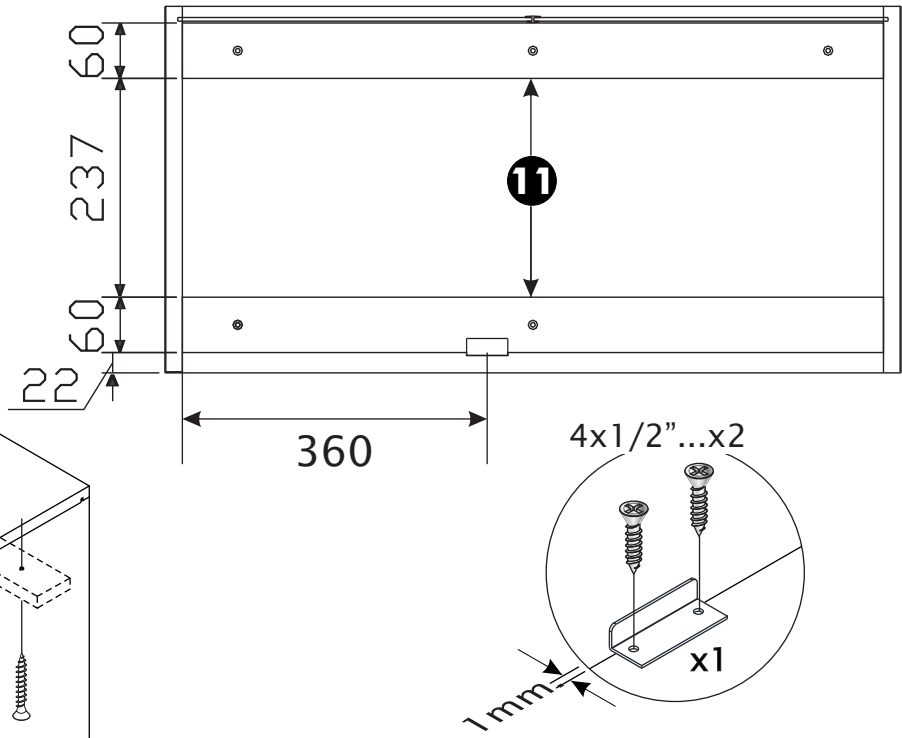
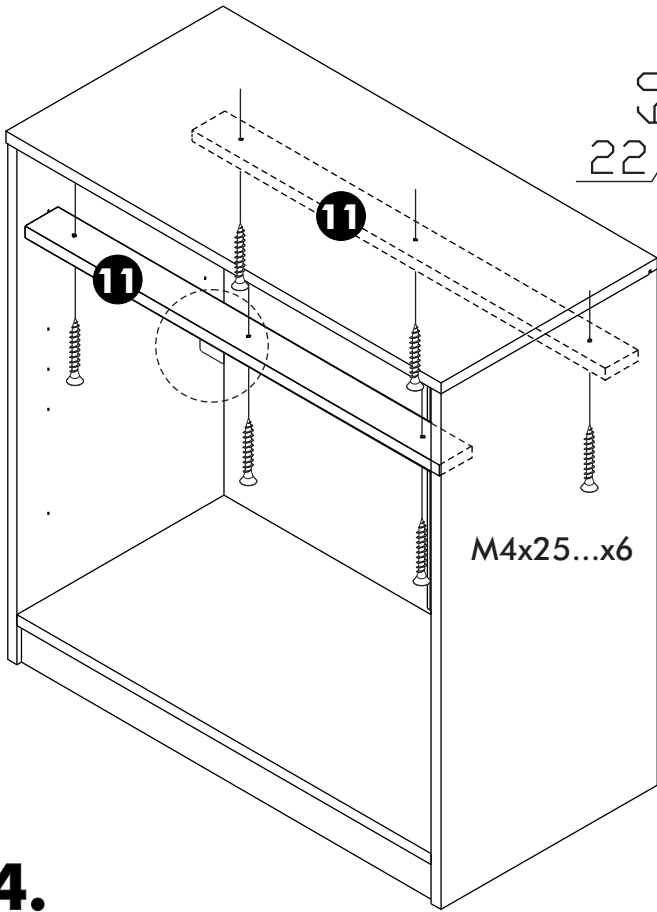
2.

-BODY SET

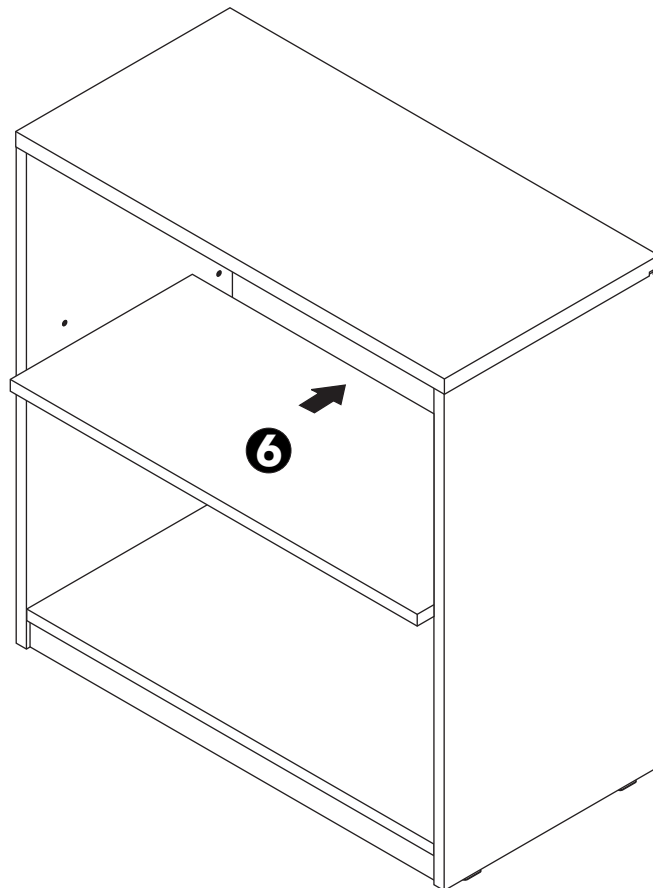
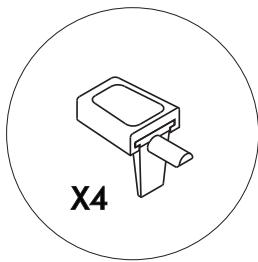


-BODY SET

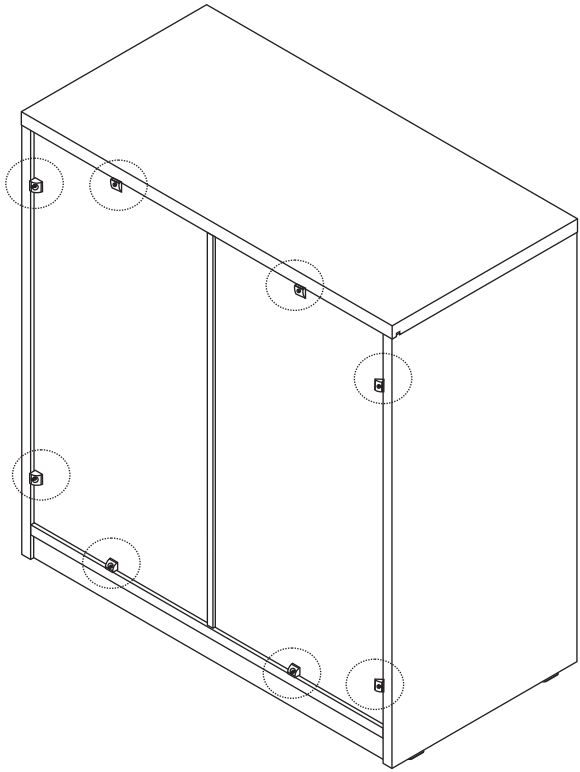
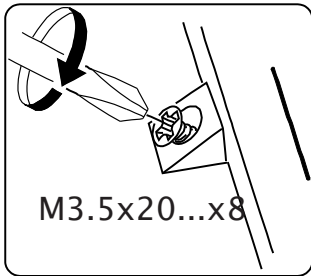
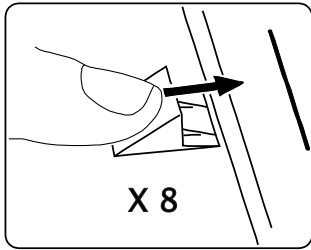
3.



4.



5.



ASSEMBLY

-DOORS SET

1.

