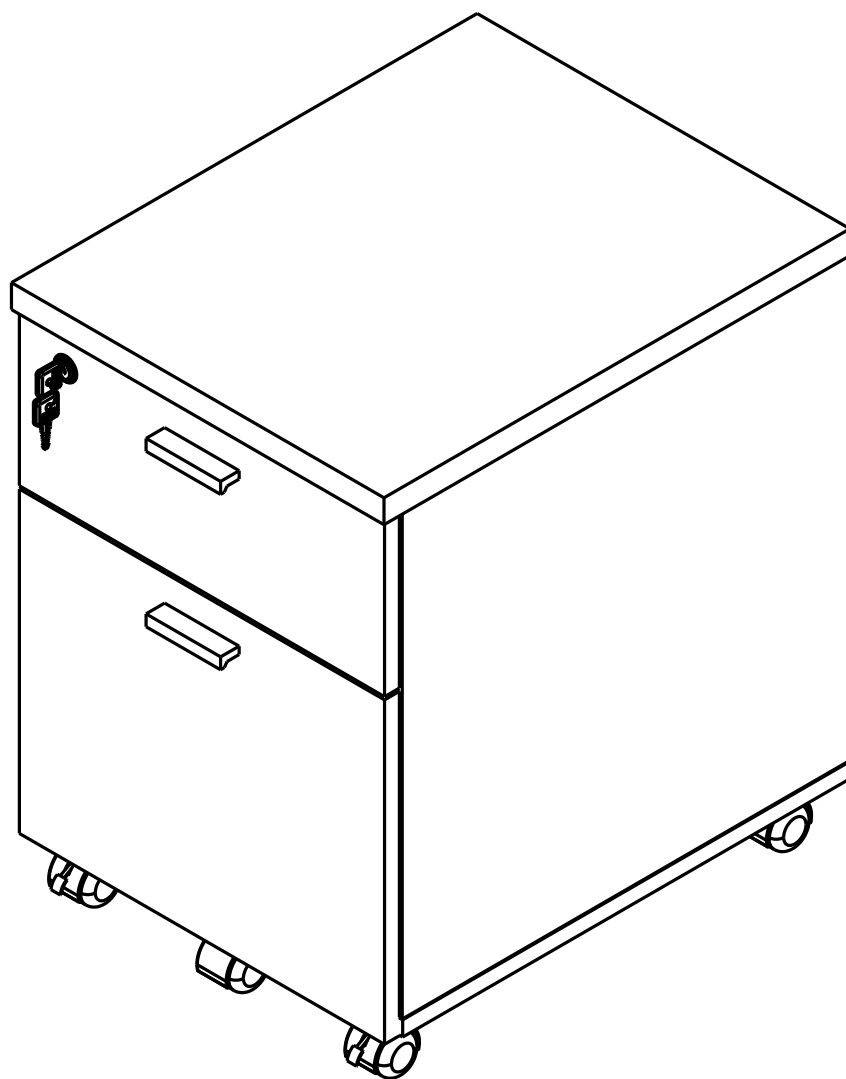


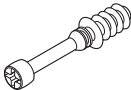
VECTRA-P

Pedestal 40 cm.



HARDWARE

-BODY SET

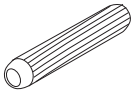


x 4



19mm.

x 4

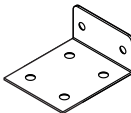


#8x35

x 8



x 4



x 1



x 2/3



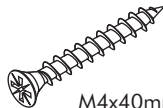
M4x16mm.

x 18



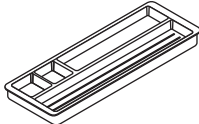
M3.5x20mm.

x 4



M4x40mm.

x 4



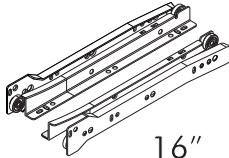
x 1



M4x10mm.

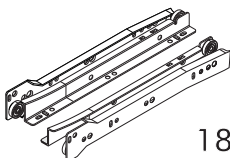
x 4

-DRAWER SET



16"

x 1



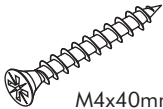
18"

x 1



M3.5x13mm.

x 16



M4x40mm.

x 18



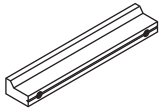
M6x23mm.

x 6



#GAL5/10.5 mm.

x 12

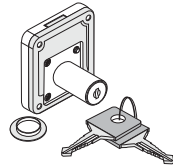


x 2



M4x22mm.

x 4



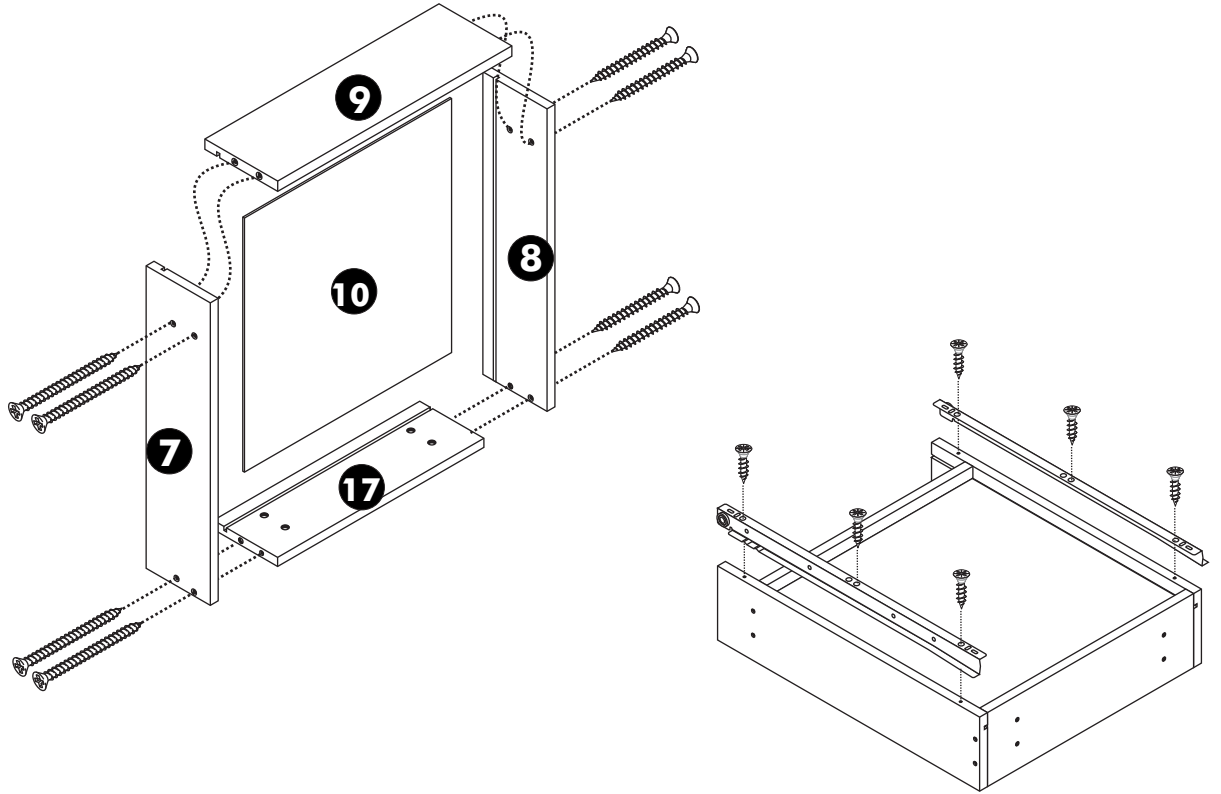
x 1


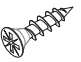



#6x3/4"(F)

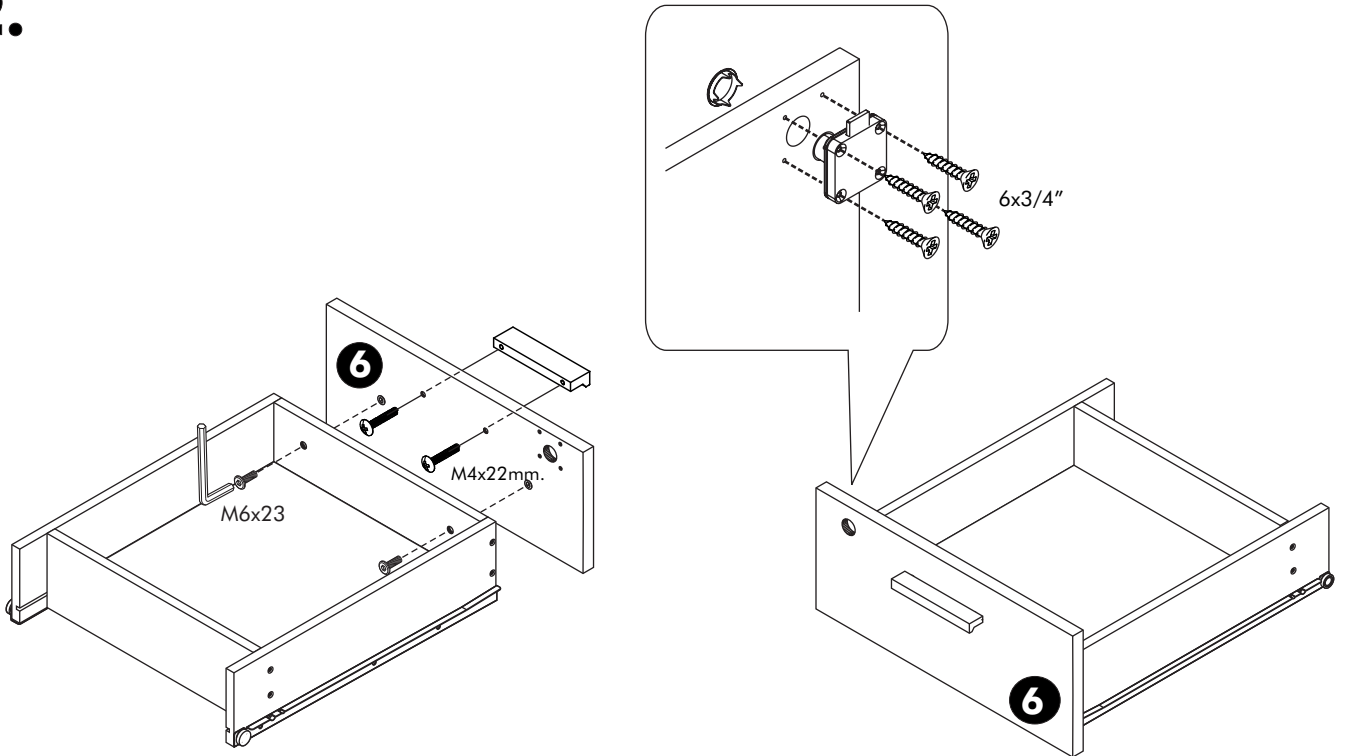
x 4



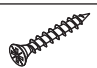
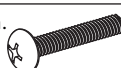
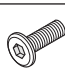
1.



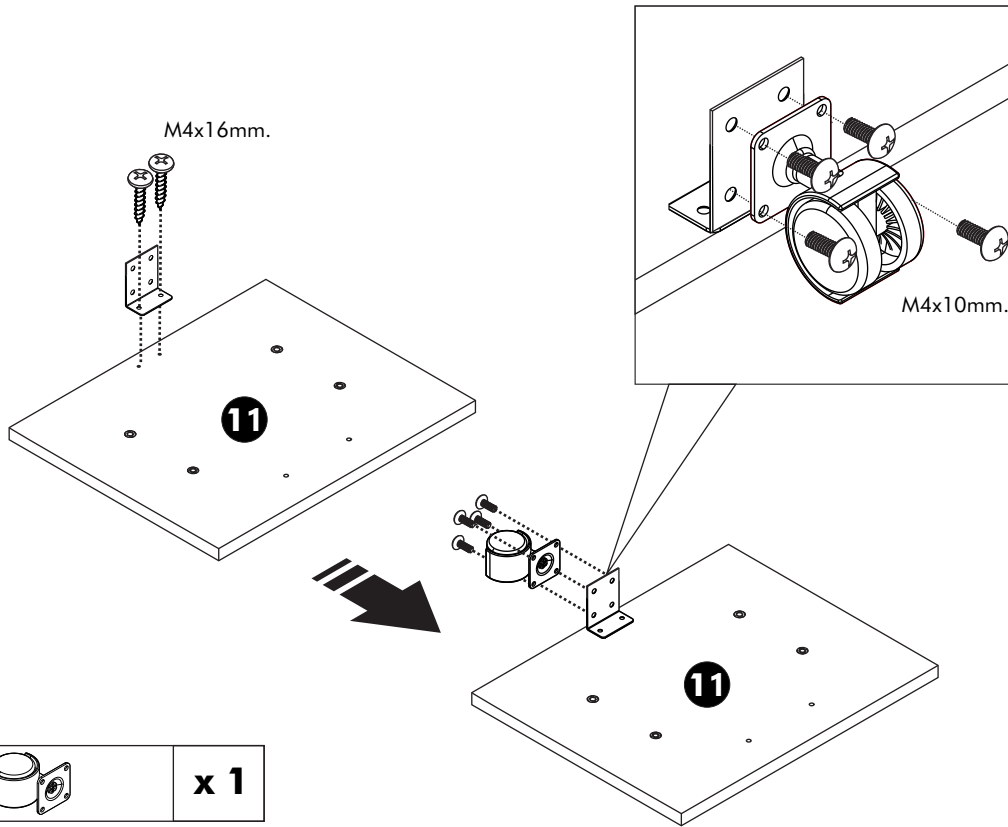
M4x40mm.		x 8	M3.5x13		x 6		16"	x1
----------	---	------------	---------	---	------------	--	-----	-----------

2.



	x 1		x 1					
6x3/4"		x 4	M4x22mm.		x 2	M6x23		x 2

3.



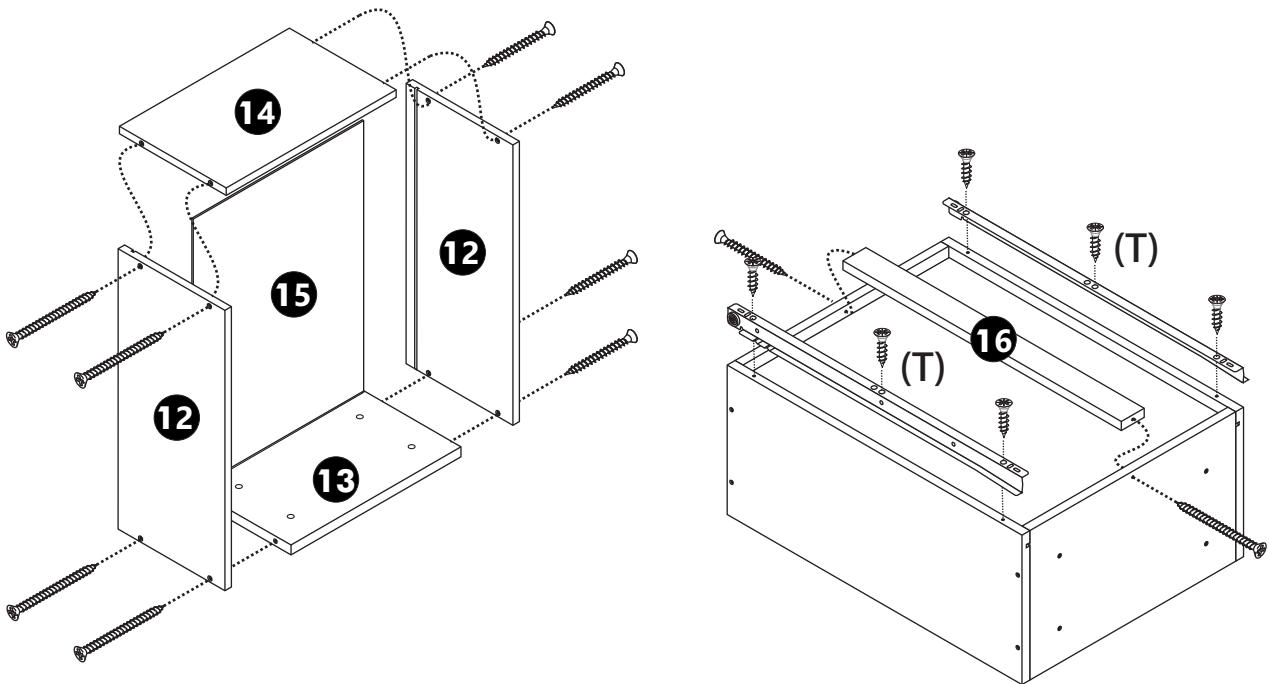
	x 1
--	------------

	x 1
--	------------

M4x10mm.	x 4
----------	------------

M4x16mm.	x 2
----------	------------

4.

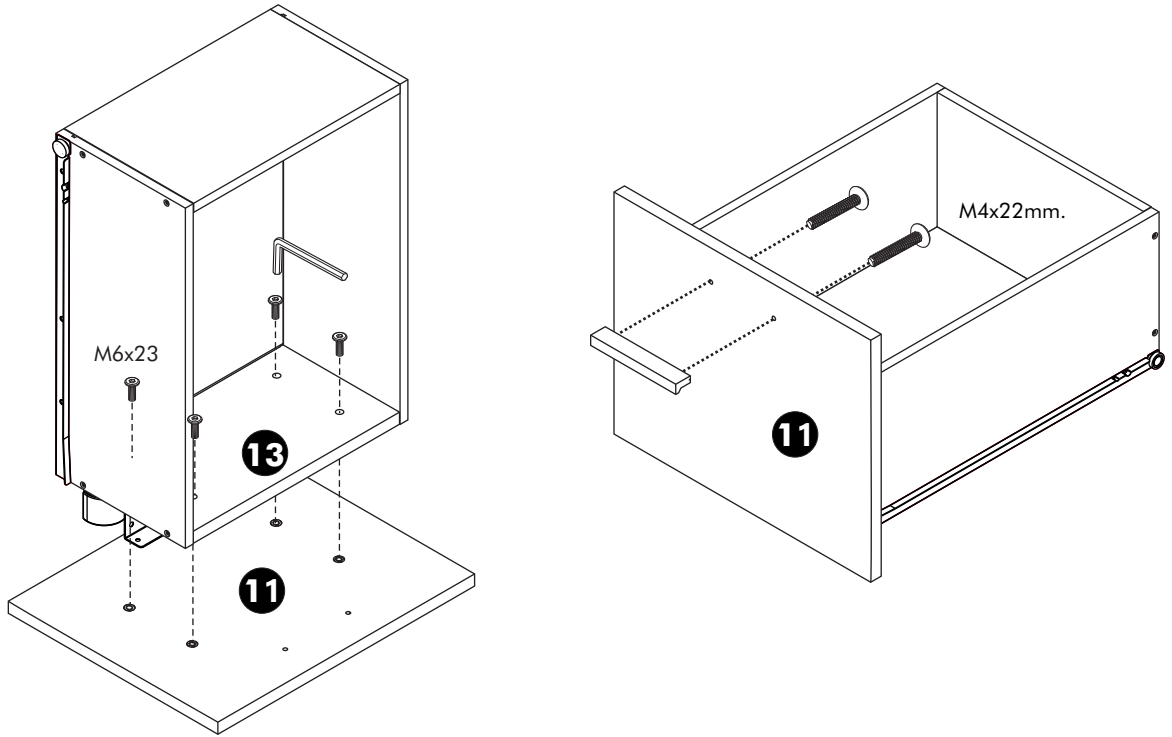


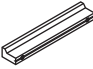
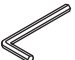


	18" x1SET
--	------------------

M4x40mm.	x10
----------	------------

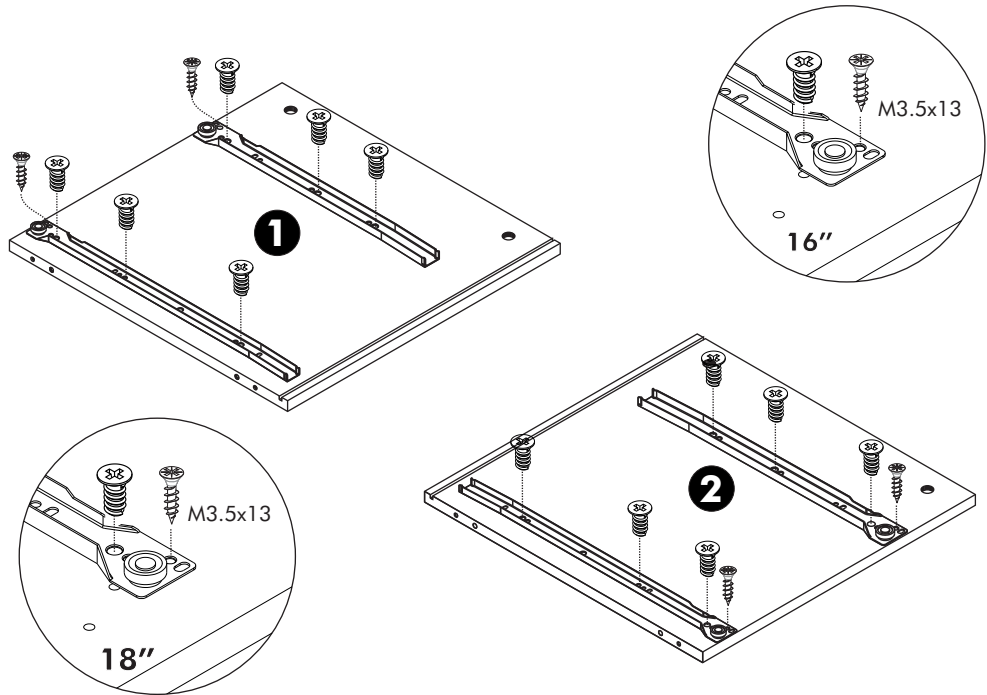
M3.5x13	x6
---------	-----------



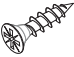

5.



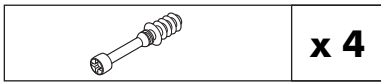
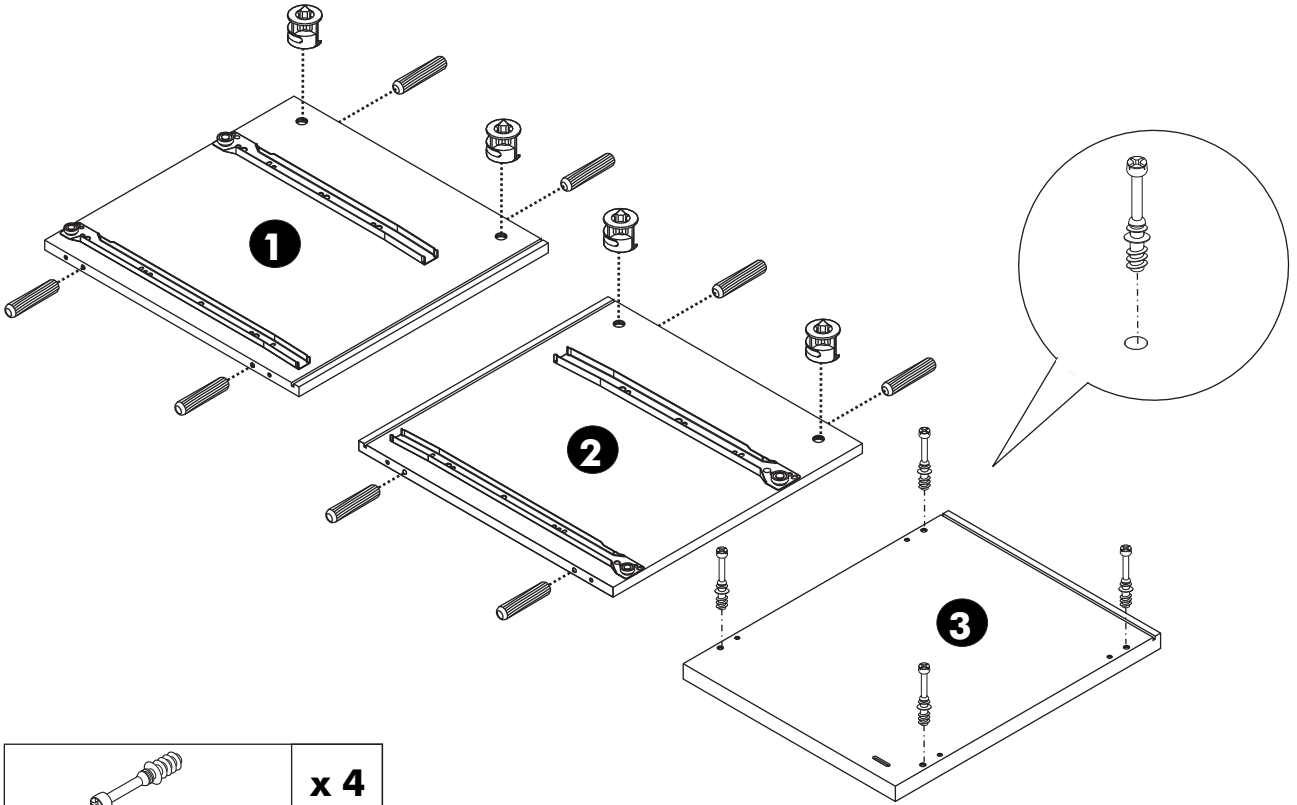
	x 1		x 1
M4x22mm. 	x 2	#TFL4 M6x23 	x 4

6.

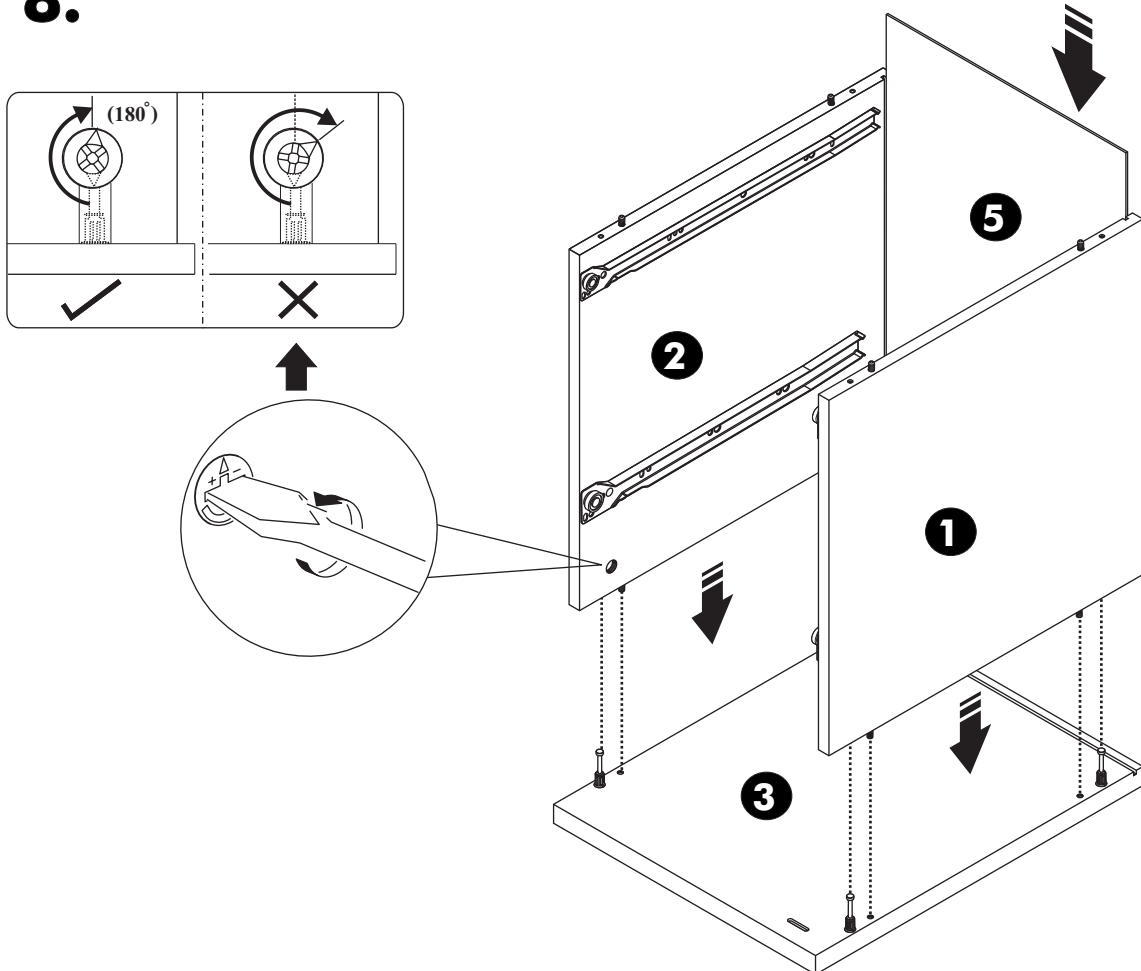


	X12		x1SET
M3.5x13 	x 4		x1SET

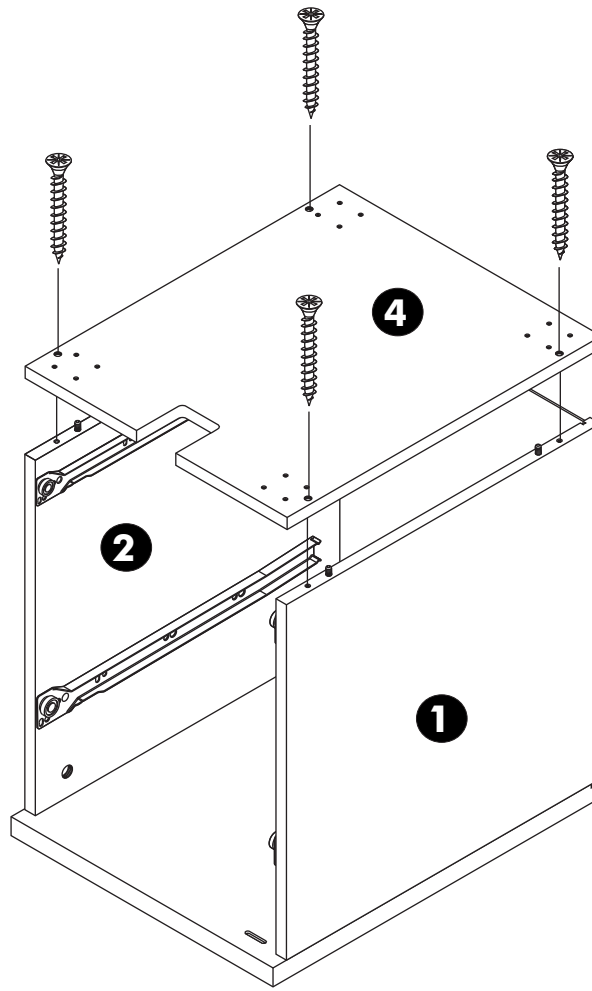
7.




8.

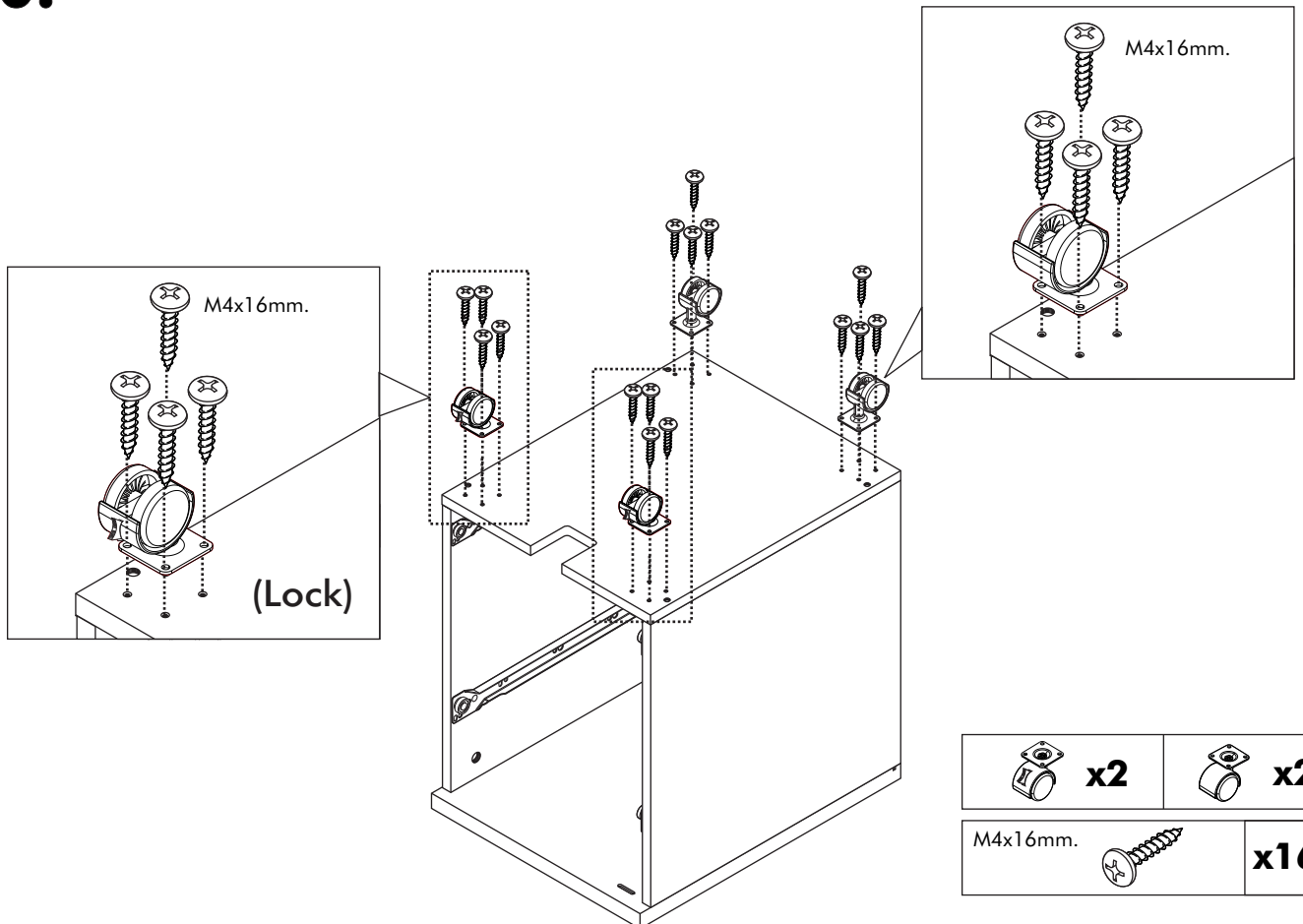


9.

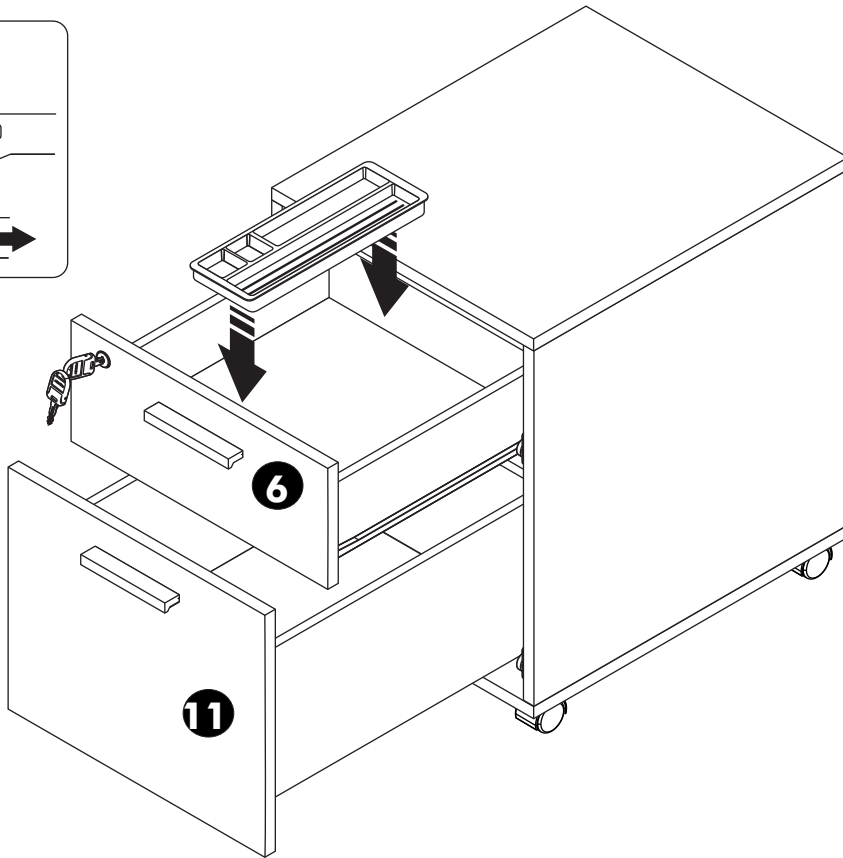
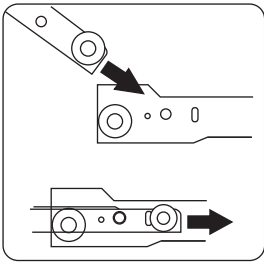


M4x40mm.		x 4
----------	---	------------

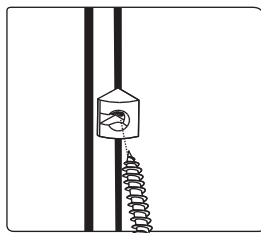
10.



11.



12.



M4x20mm.

