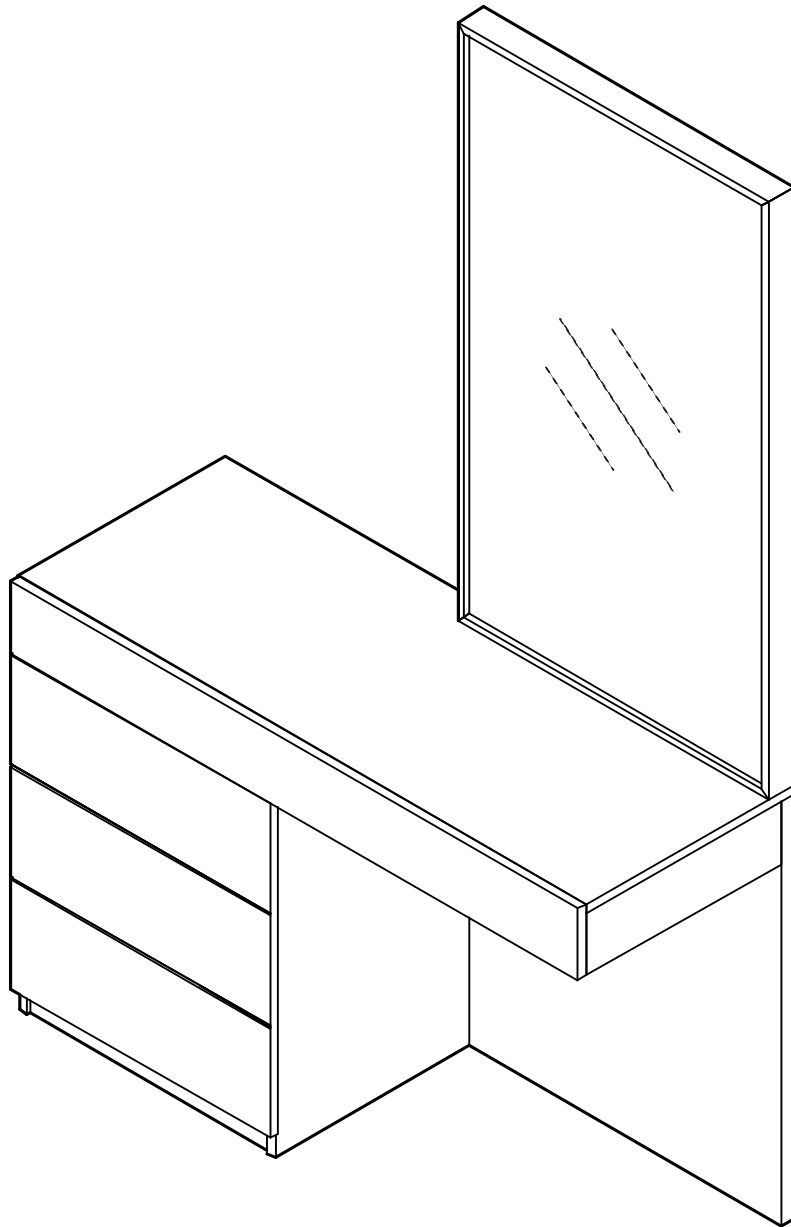
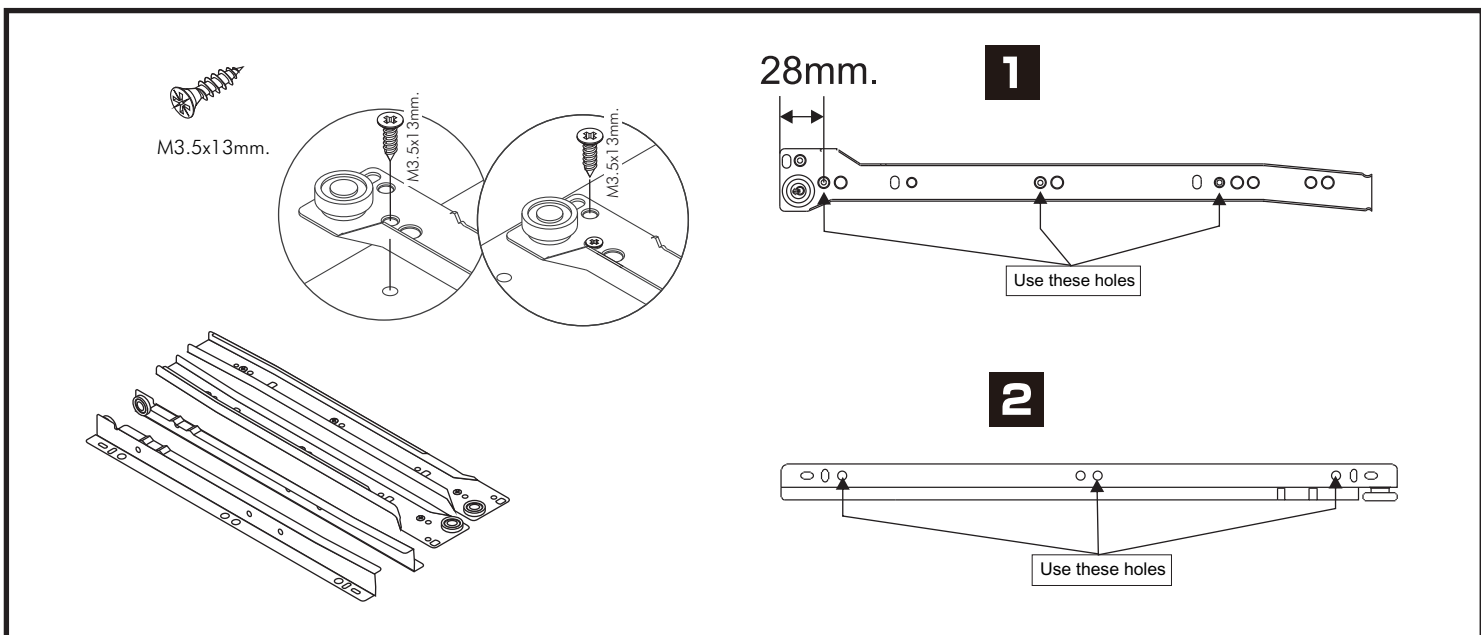
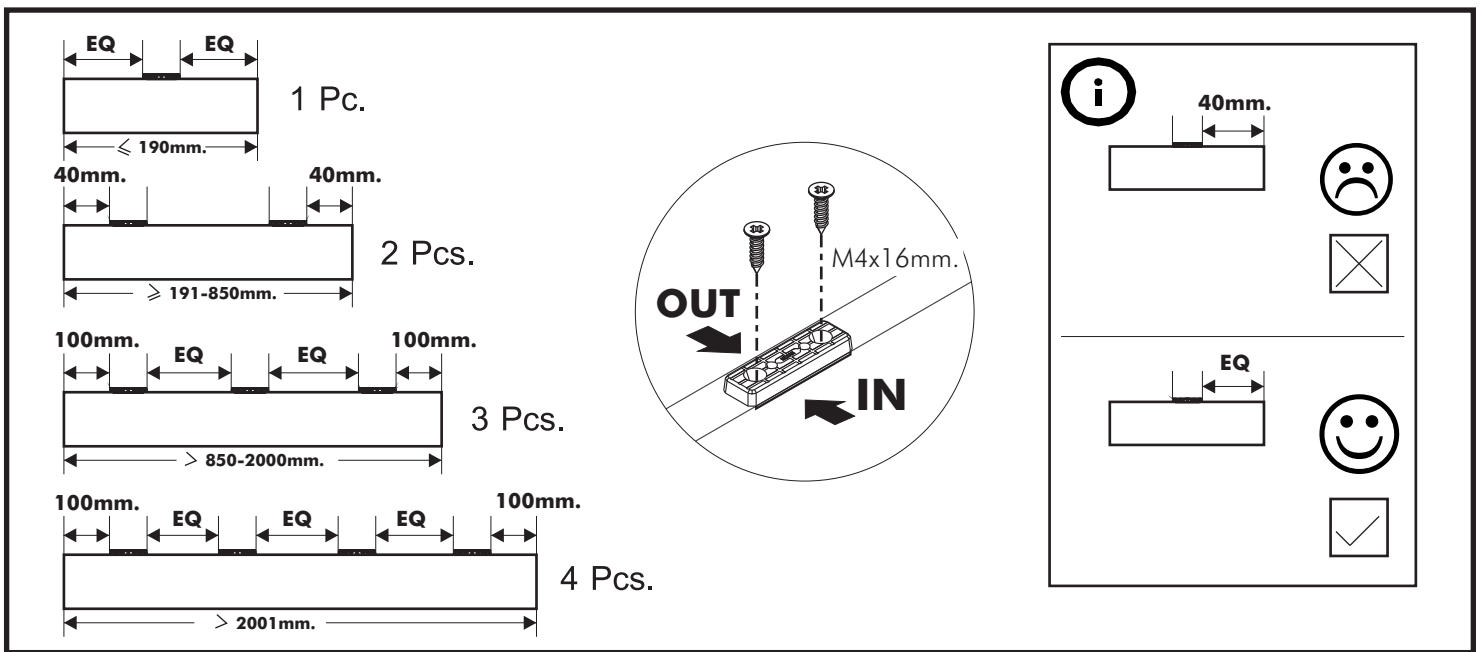
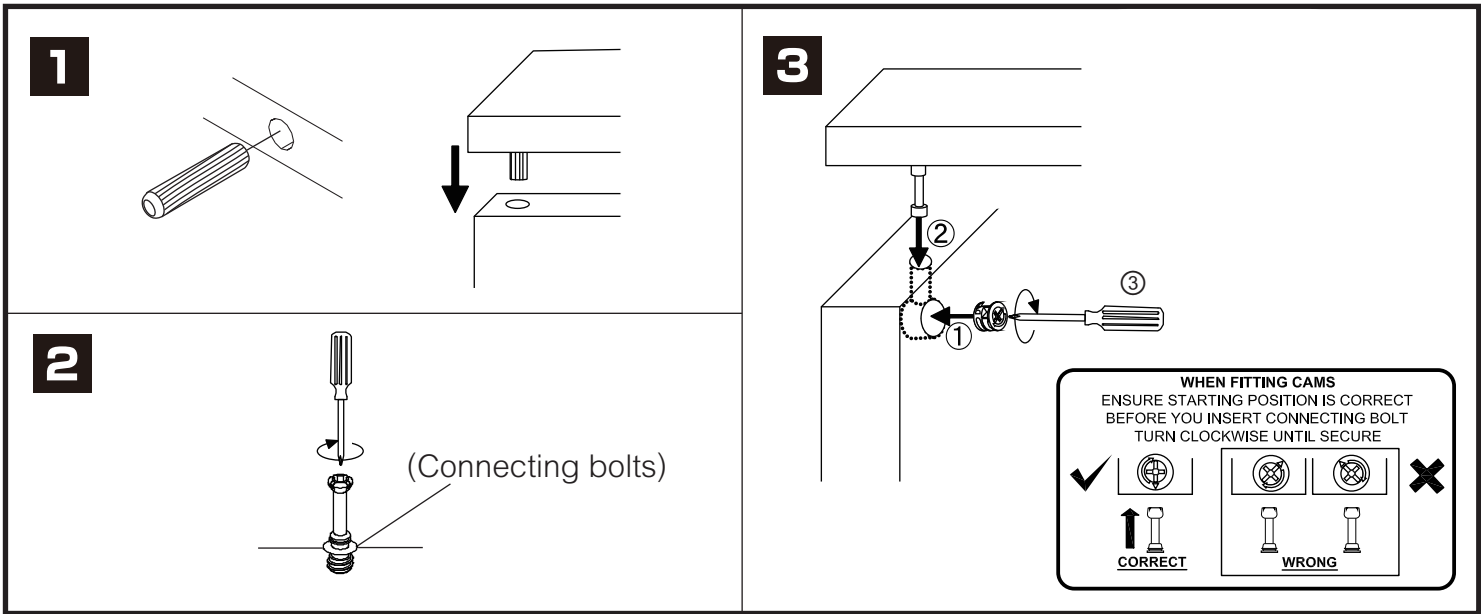


# BISCOTTA-P

## Dressing Table

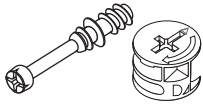


# CONNECT SYSTEM

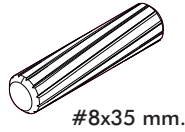


# HARDWARE

## -BODY SET

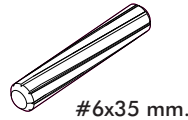


**x10/10**



#8x35 mm.

**x15**



#6x35 mm.

**x3**



#M4x30(F)

**x3**



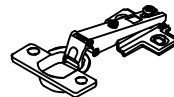
#M6x23

**x5**

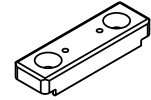


#M3.5x13(F)

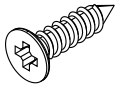
**x26**



**x2**

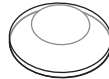


**x10**

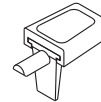


#M4x16(F)

**x40**



**x2**

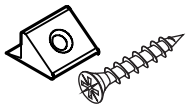


**x4**



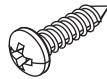
#M4x50(P)

**x4**



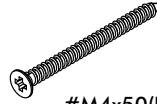
#M3.5x20(F)

**x5/5**



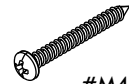
#M3.5x16(P)

**x2**



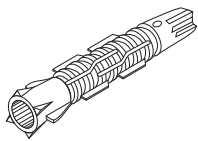
#M4x50(F)

**x6**

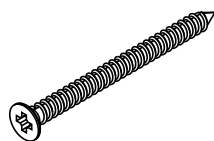


#M4x30(P)

**x12**

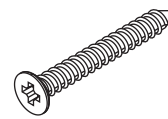


**x3**



#M5x70(F)

**x3**



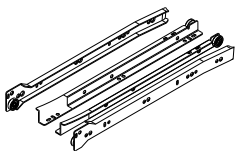
#M4x40(F)

**x20**



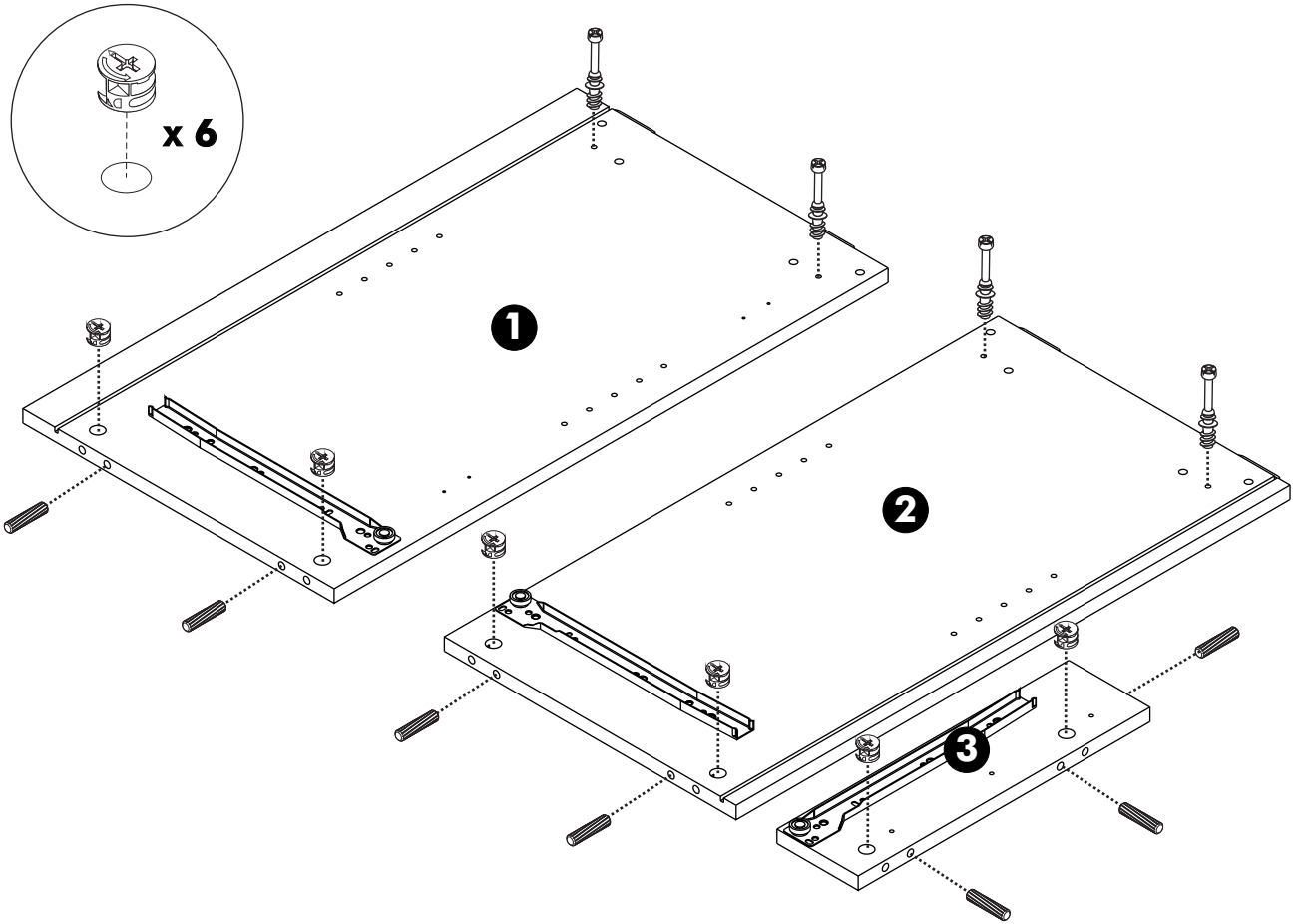
#F+5x3/8"

**x2**

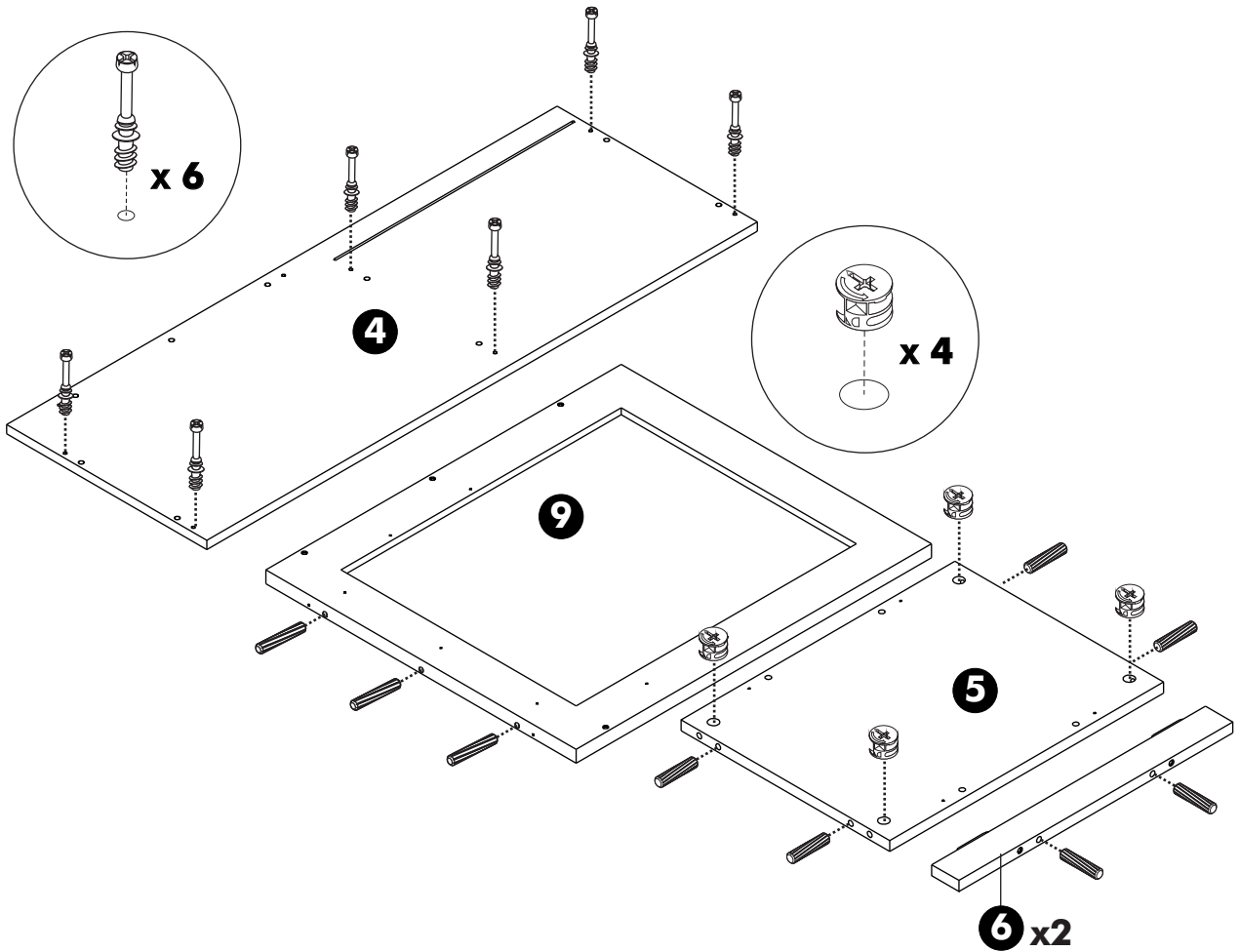


**x2 Set**

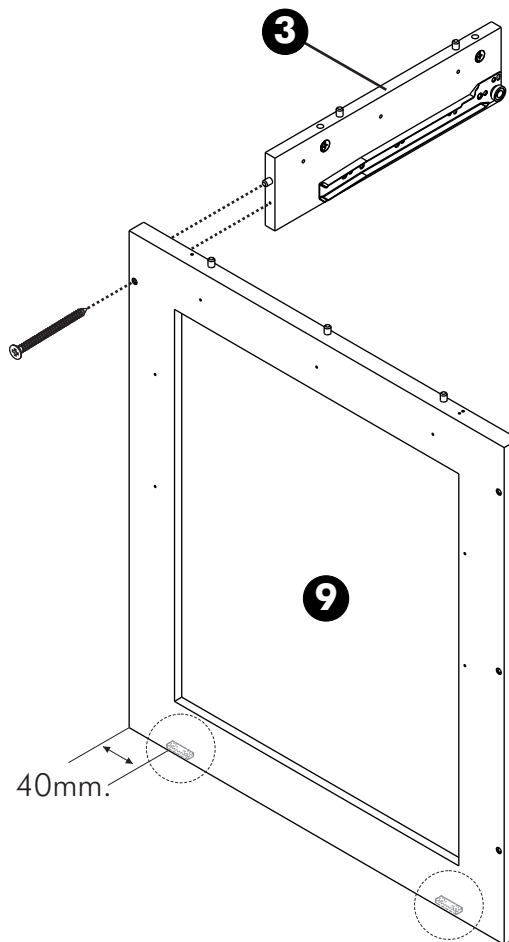
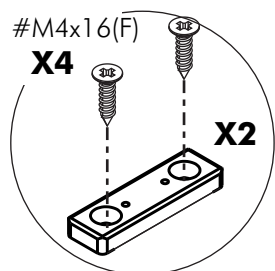
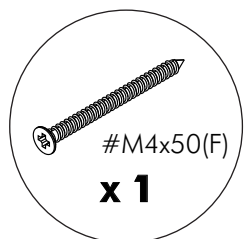
**1.**



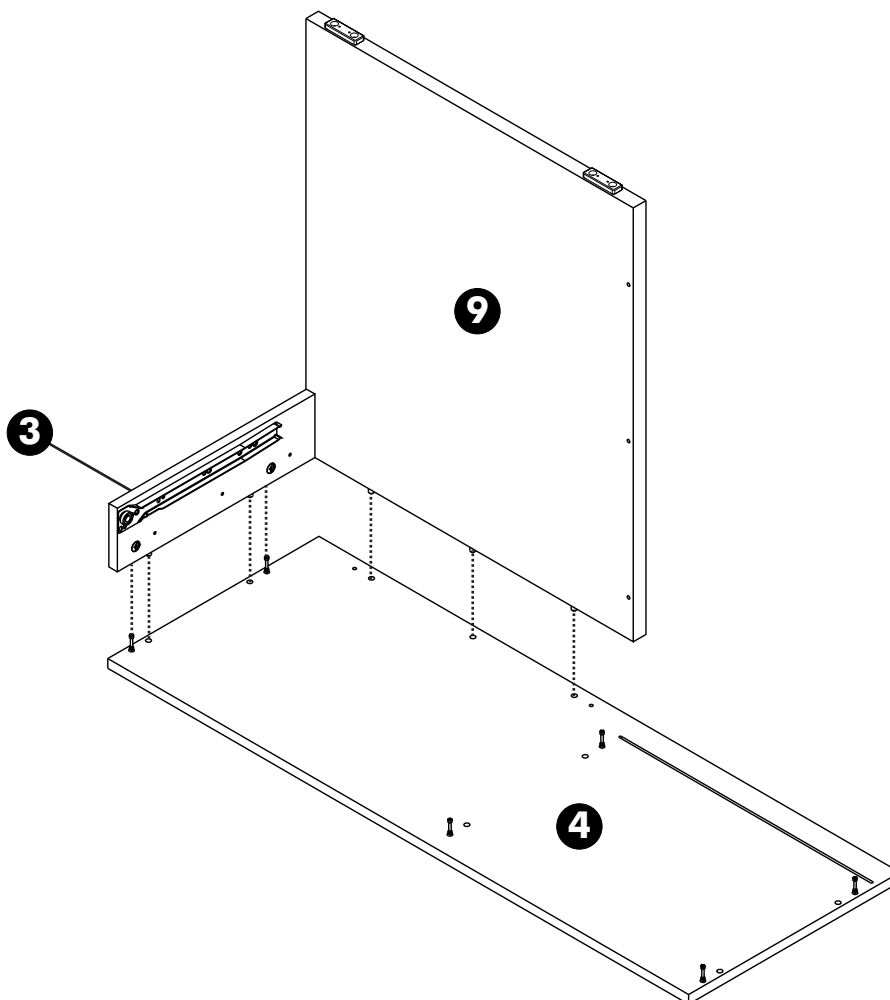
**2.**



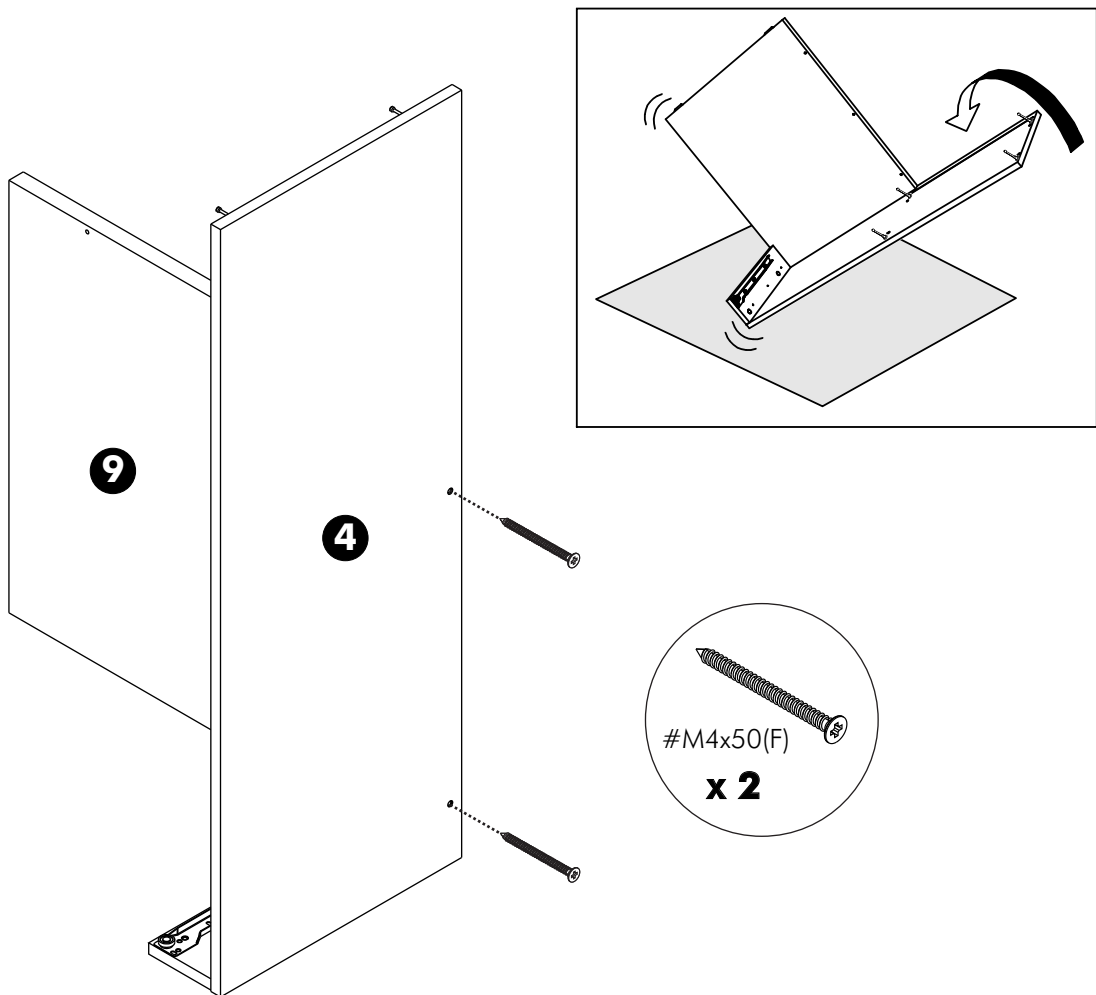
**3.**



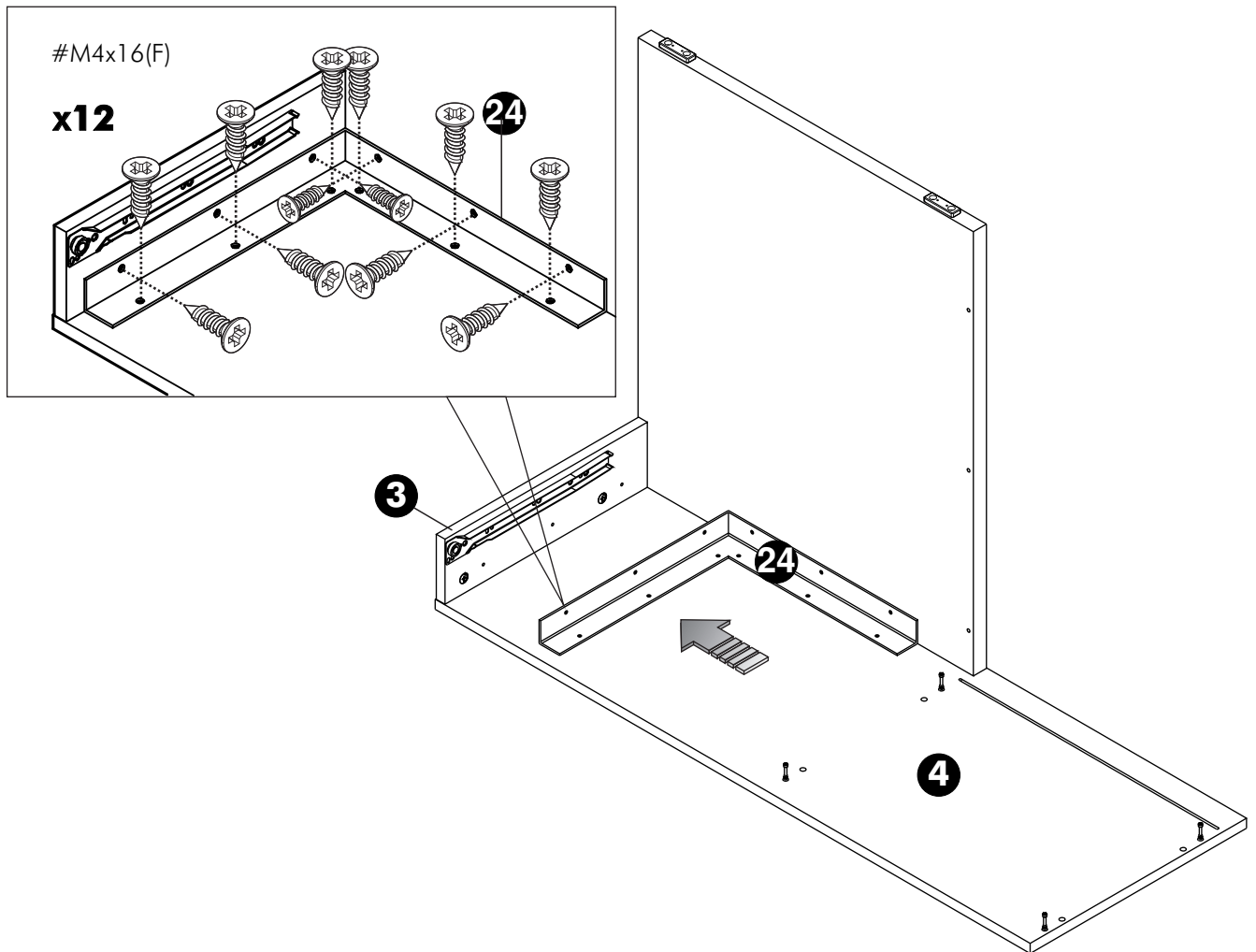
**4.**



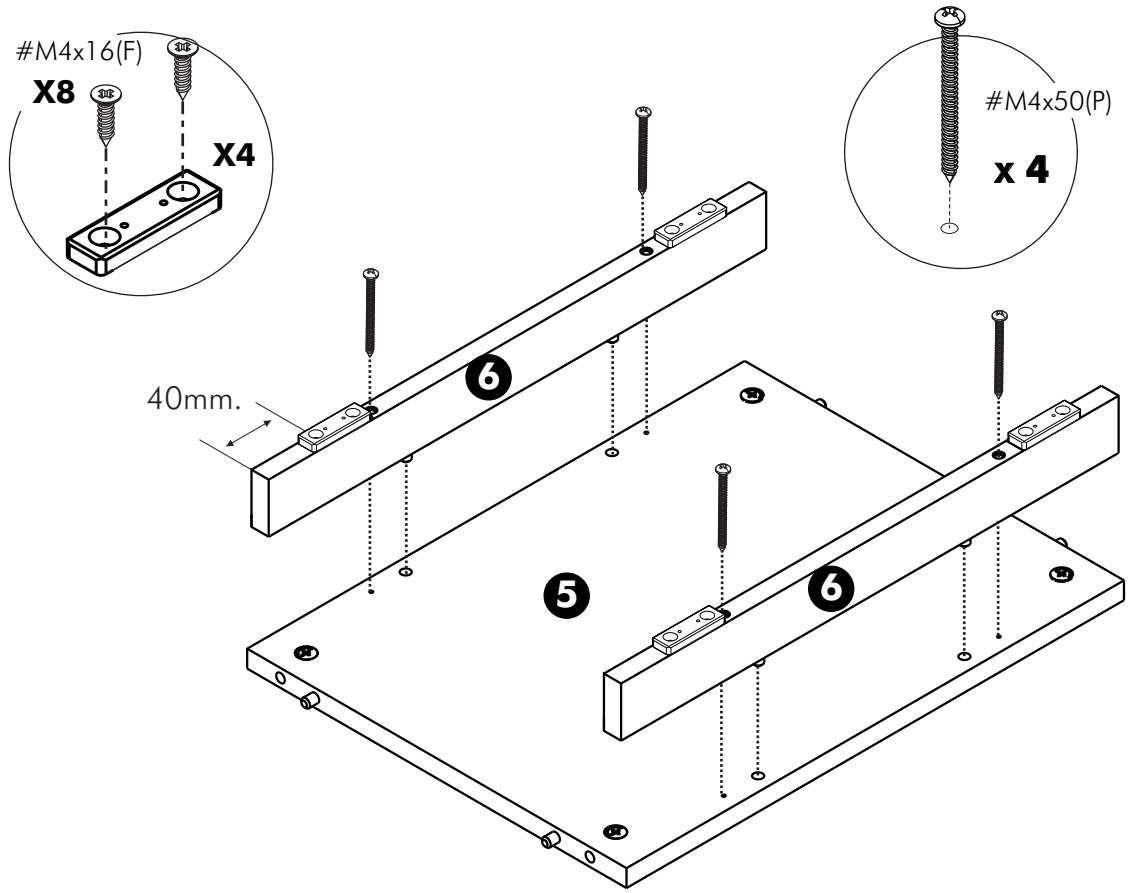
5.



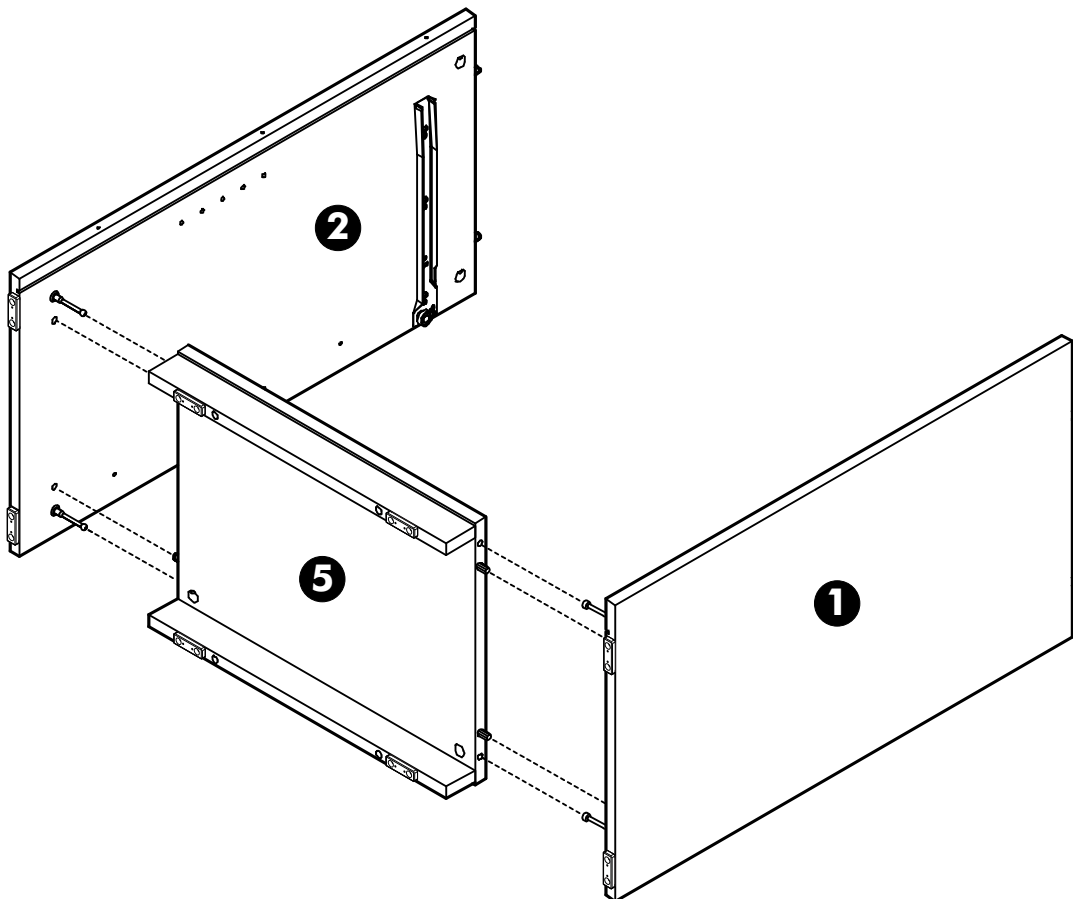
6.



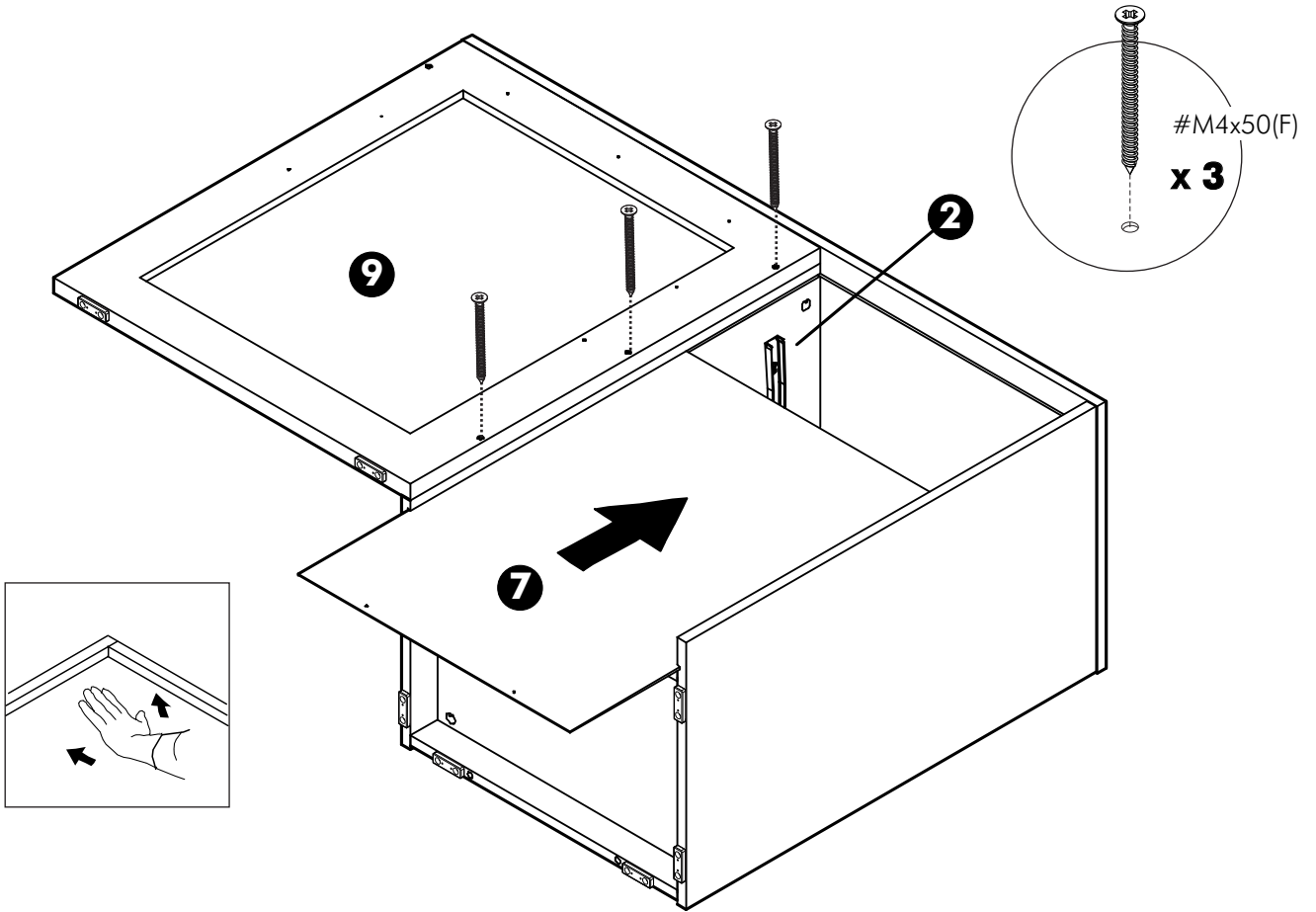
**7.**



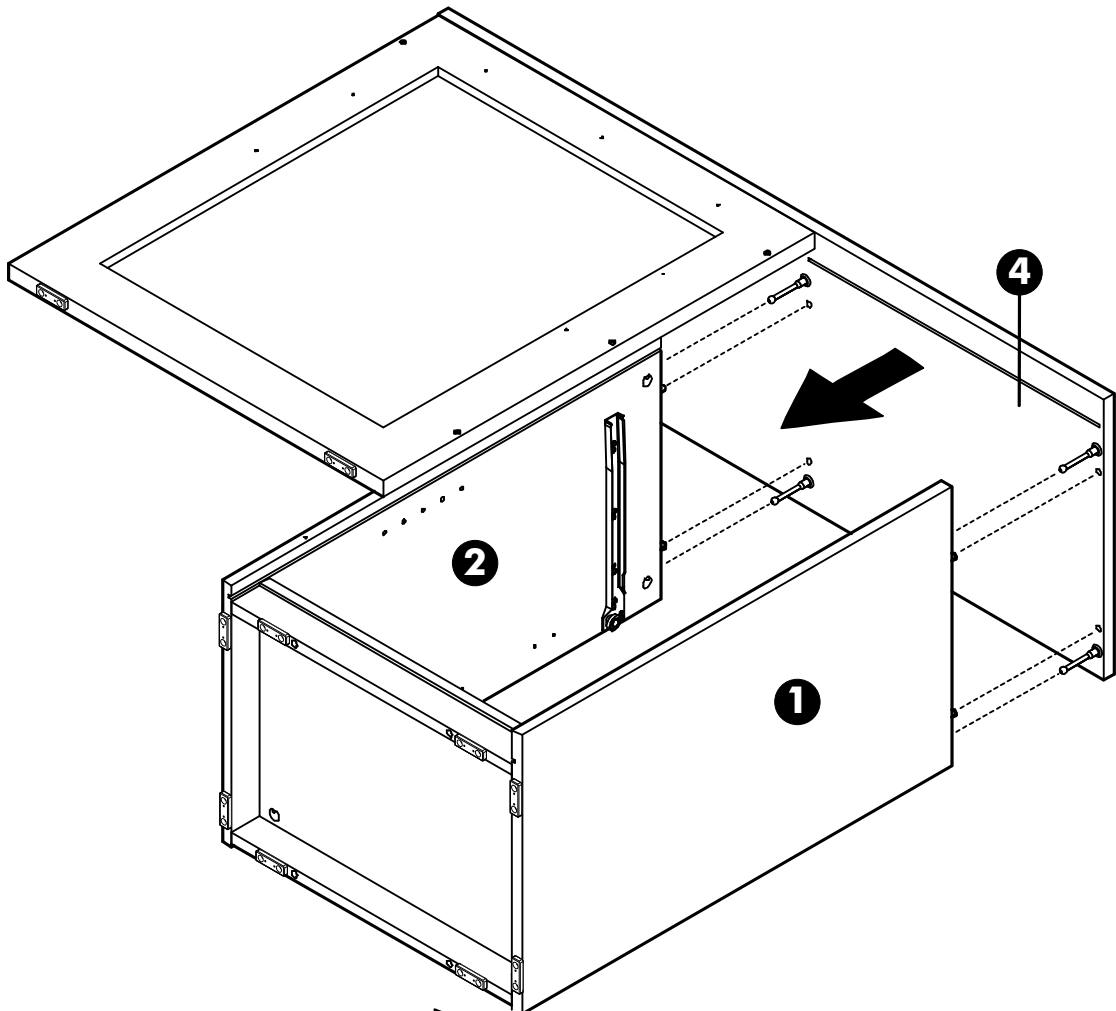
**8.**



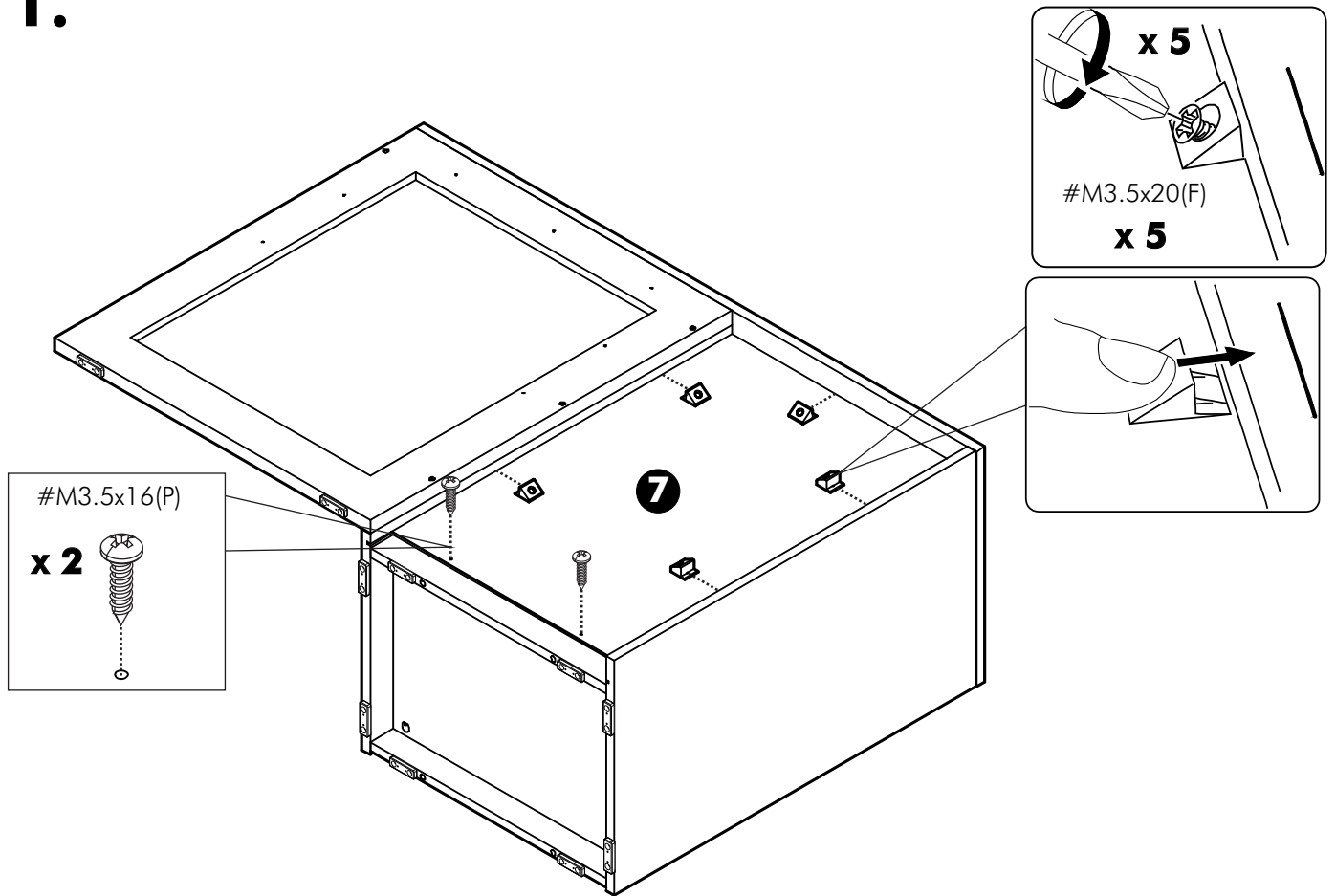
9.



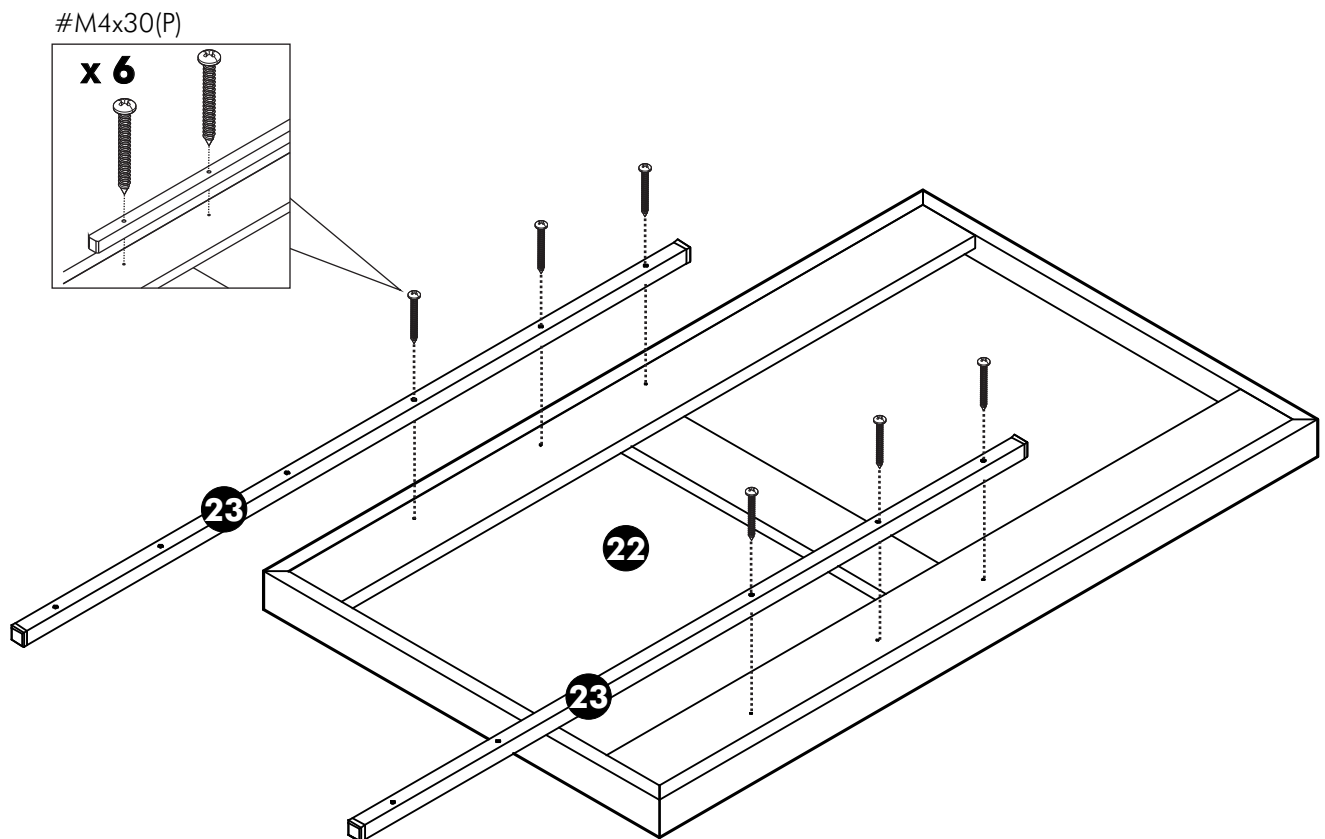
10.



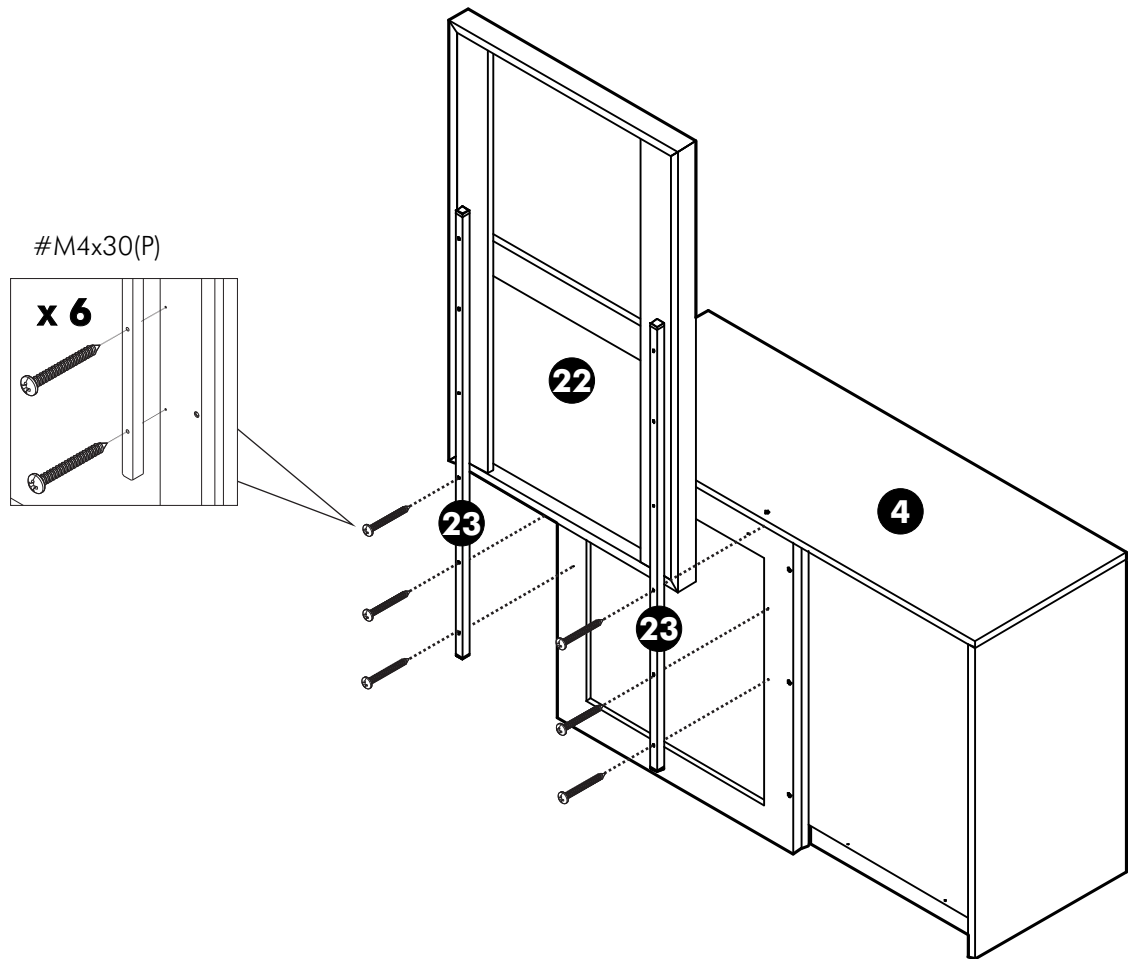
# 11.



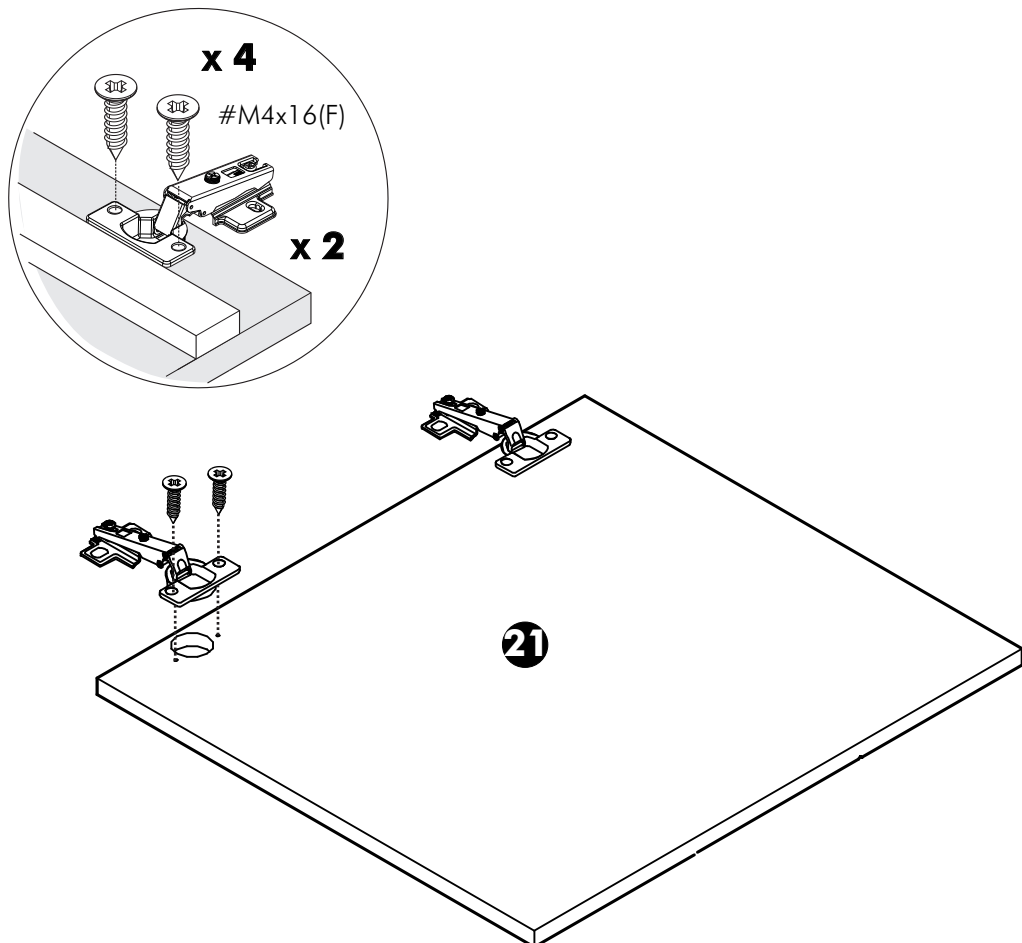
# 12.



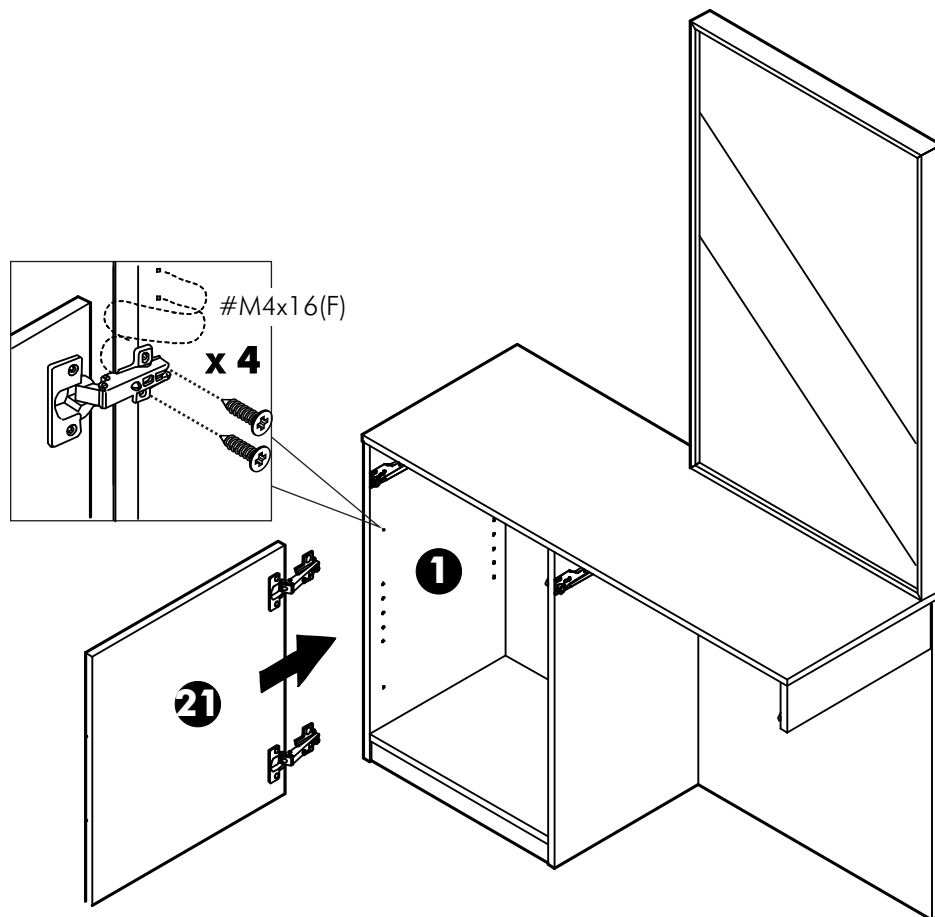
13.



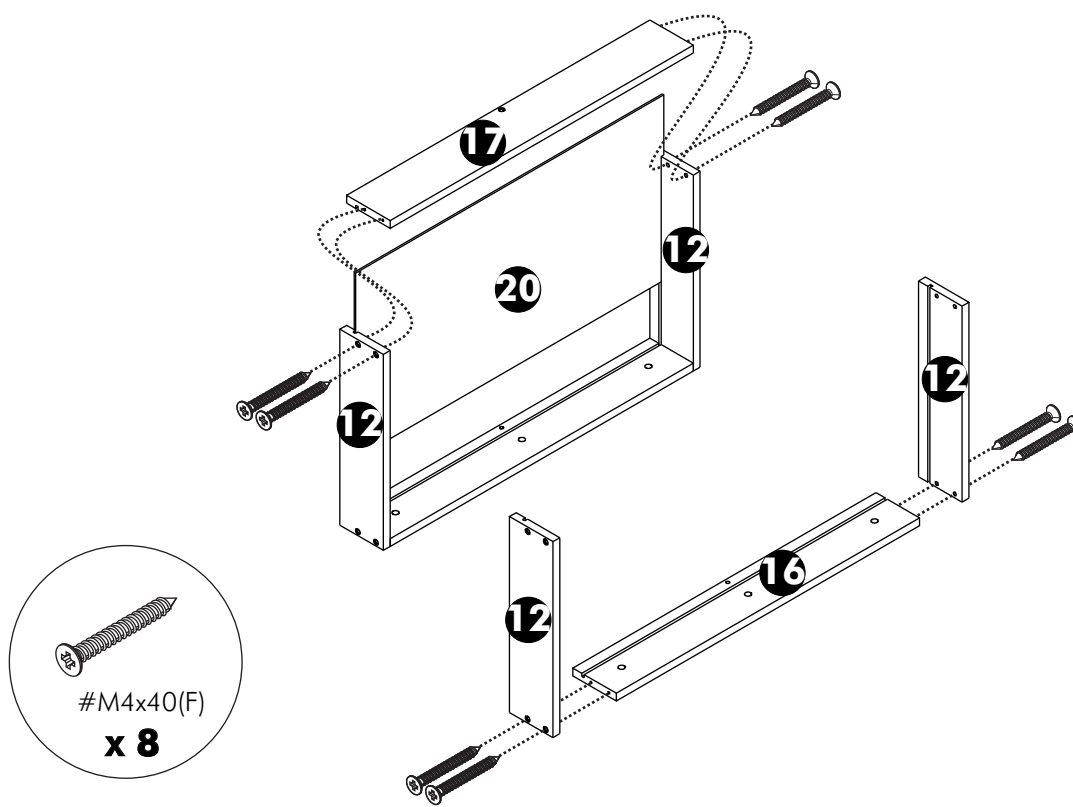
14.



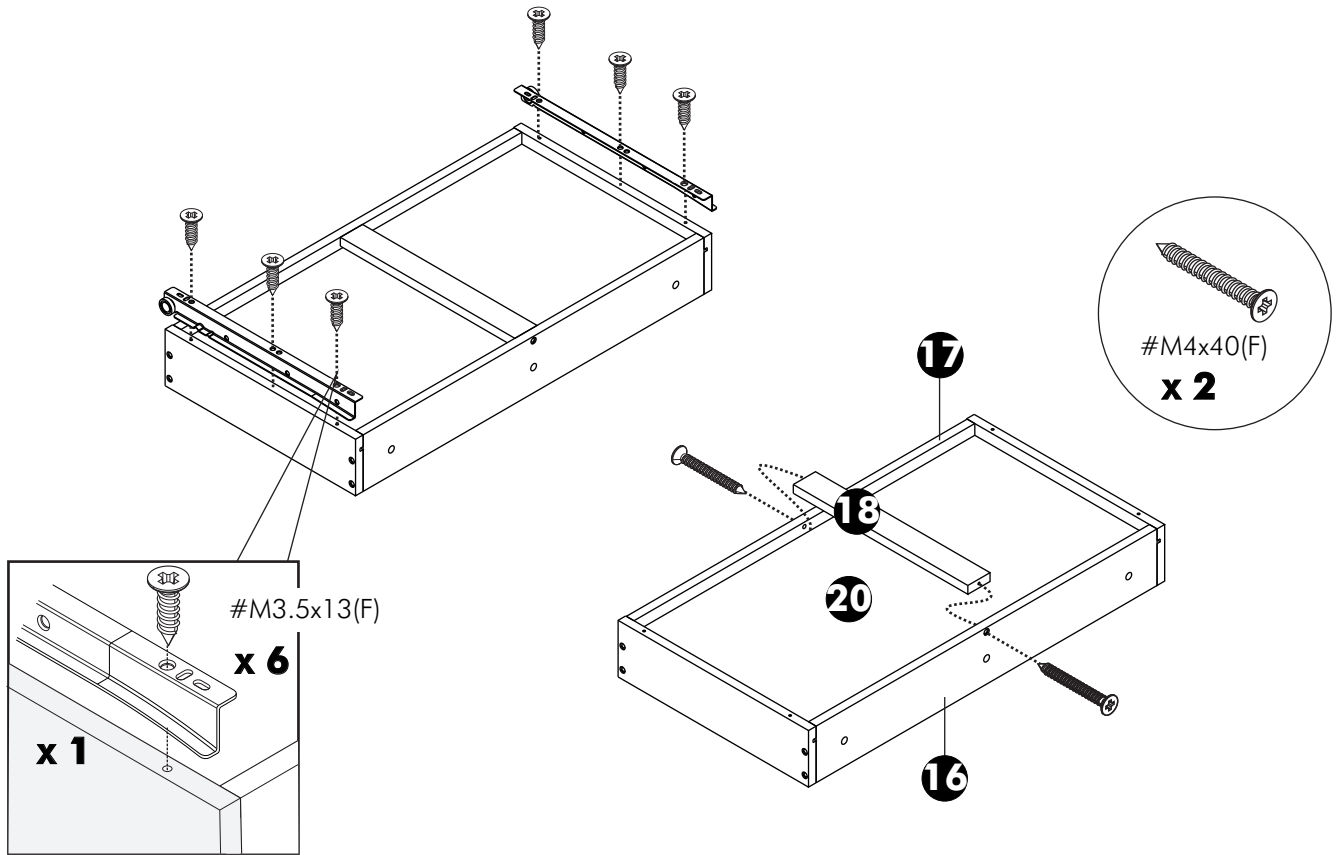
**15.**



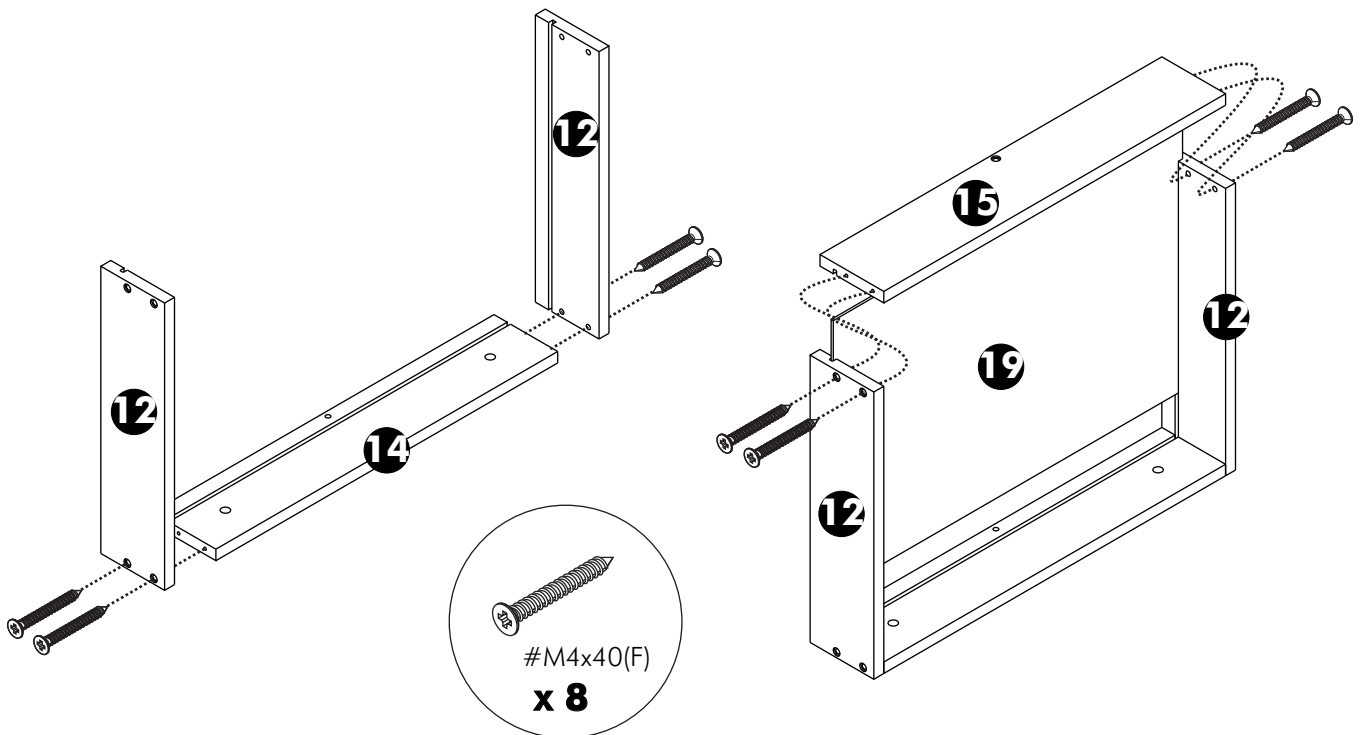
**16.**



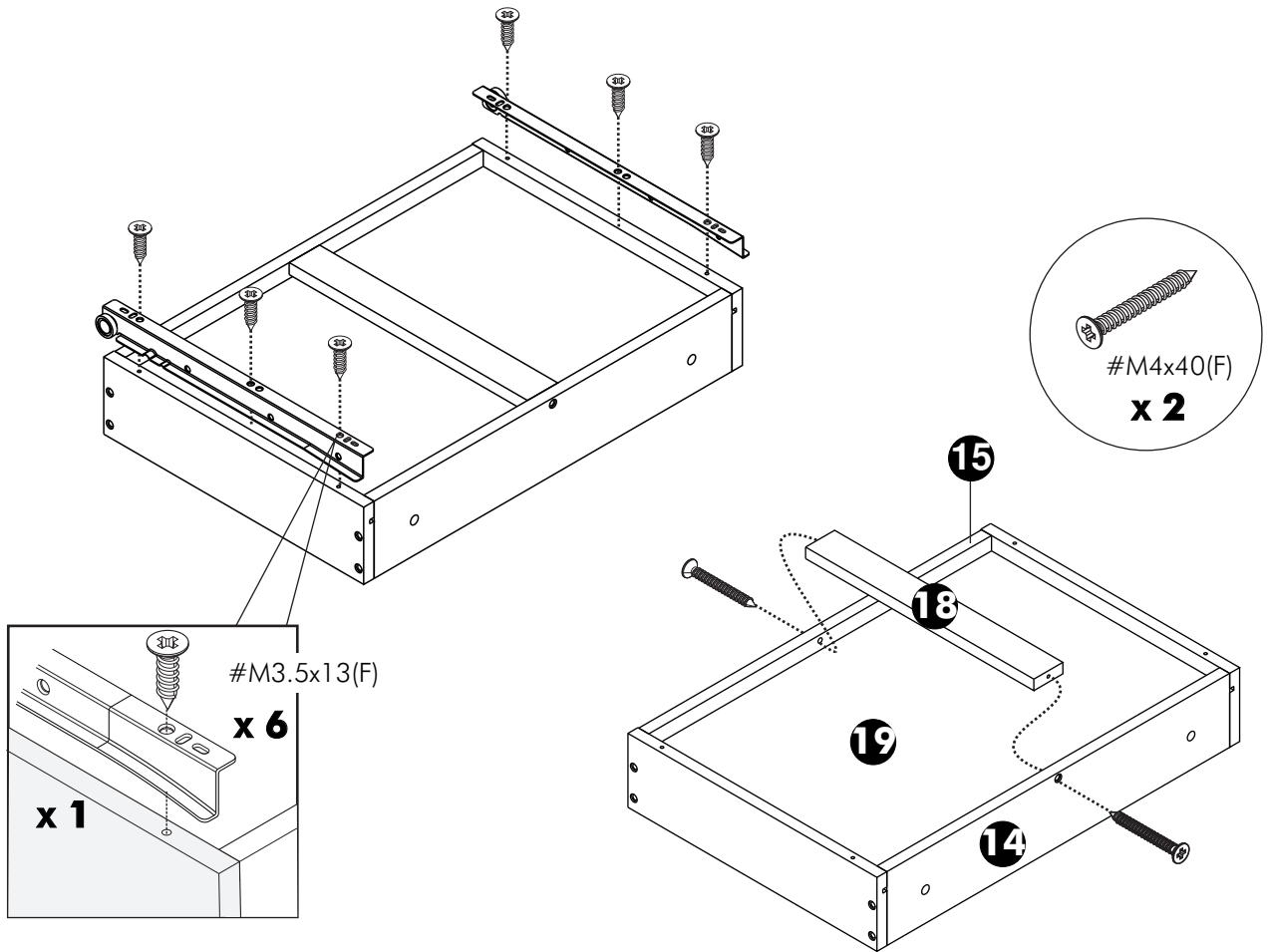
# 17.



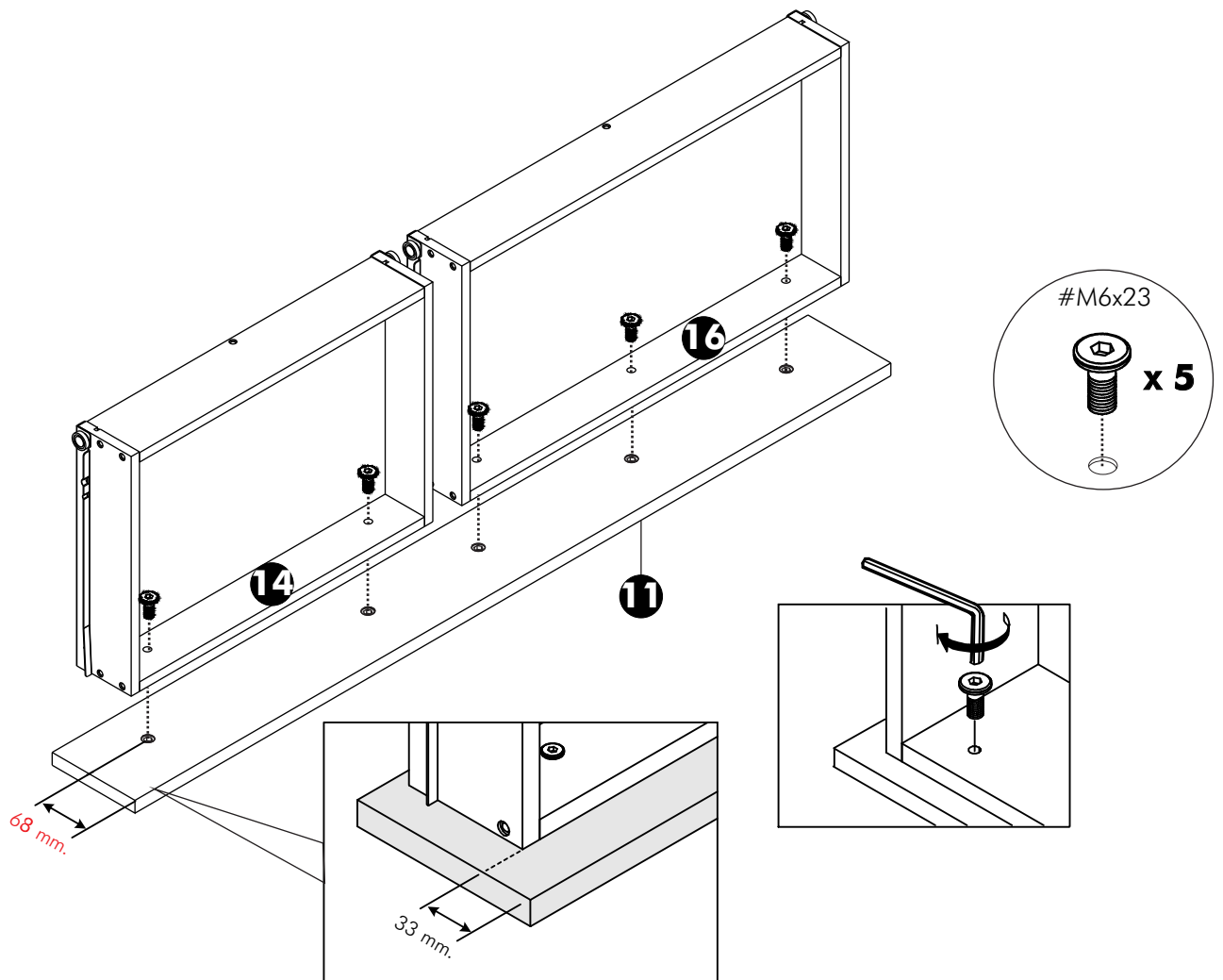
# 18.



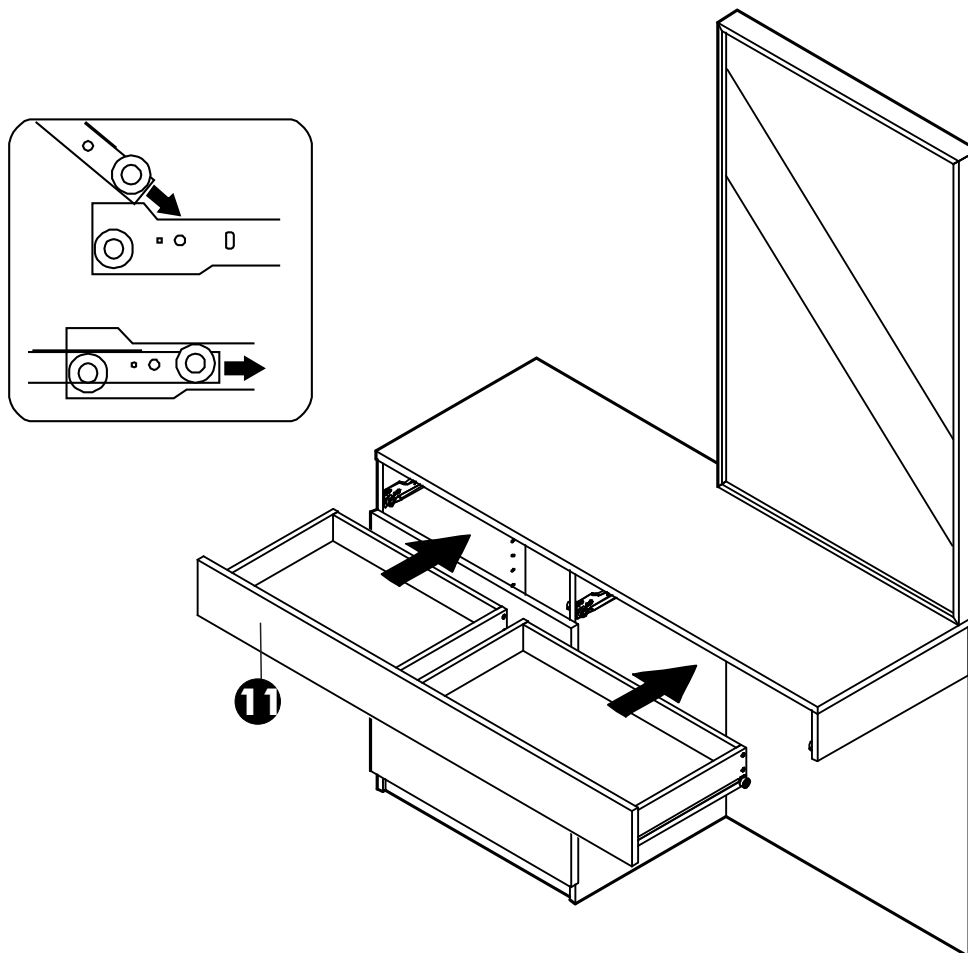
# 19.



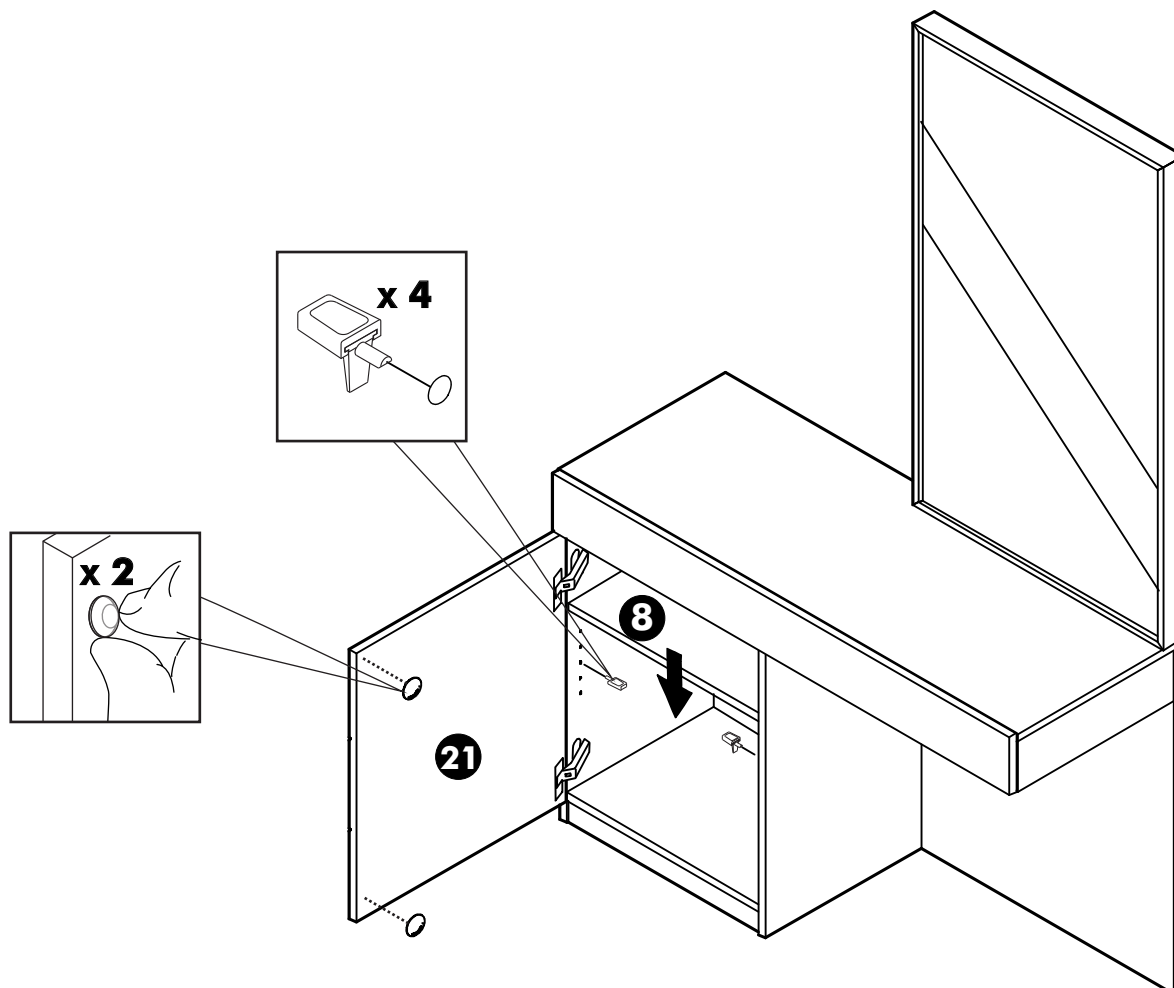
# 20.



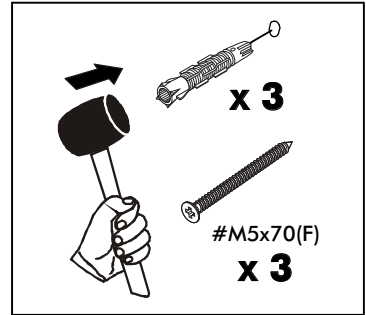
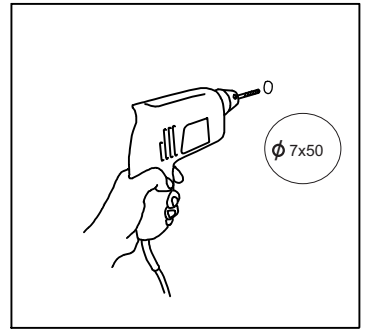
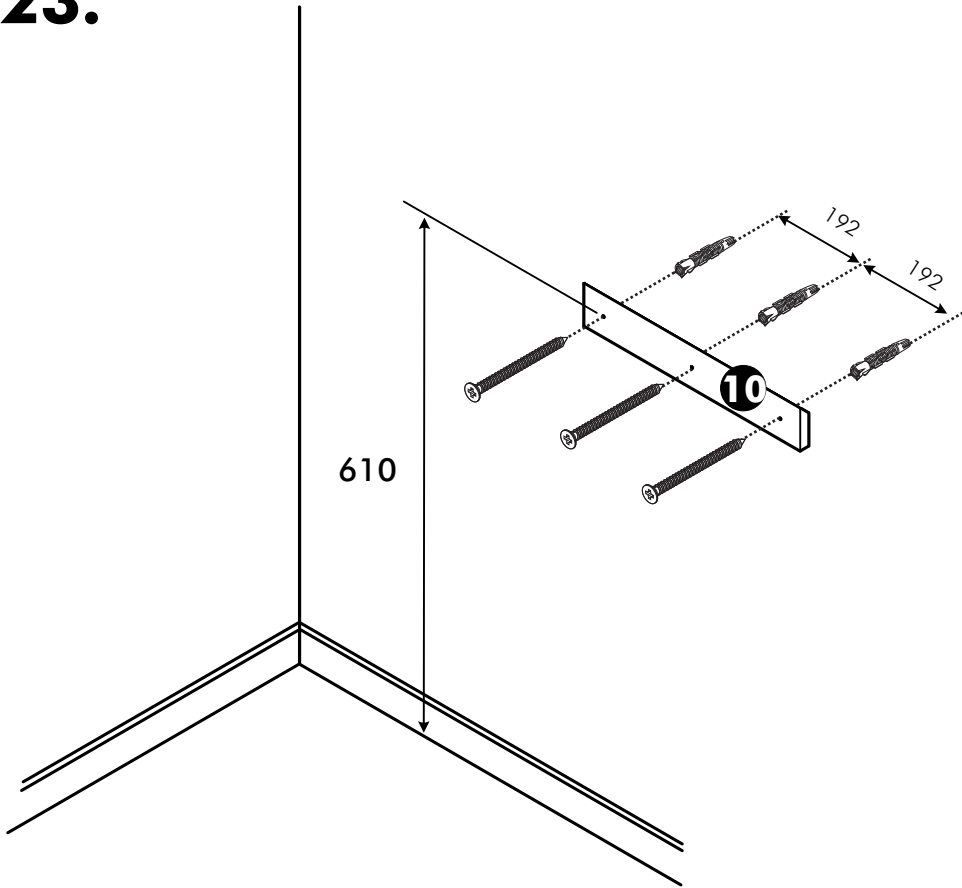
**21.**



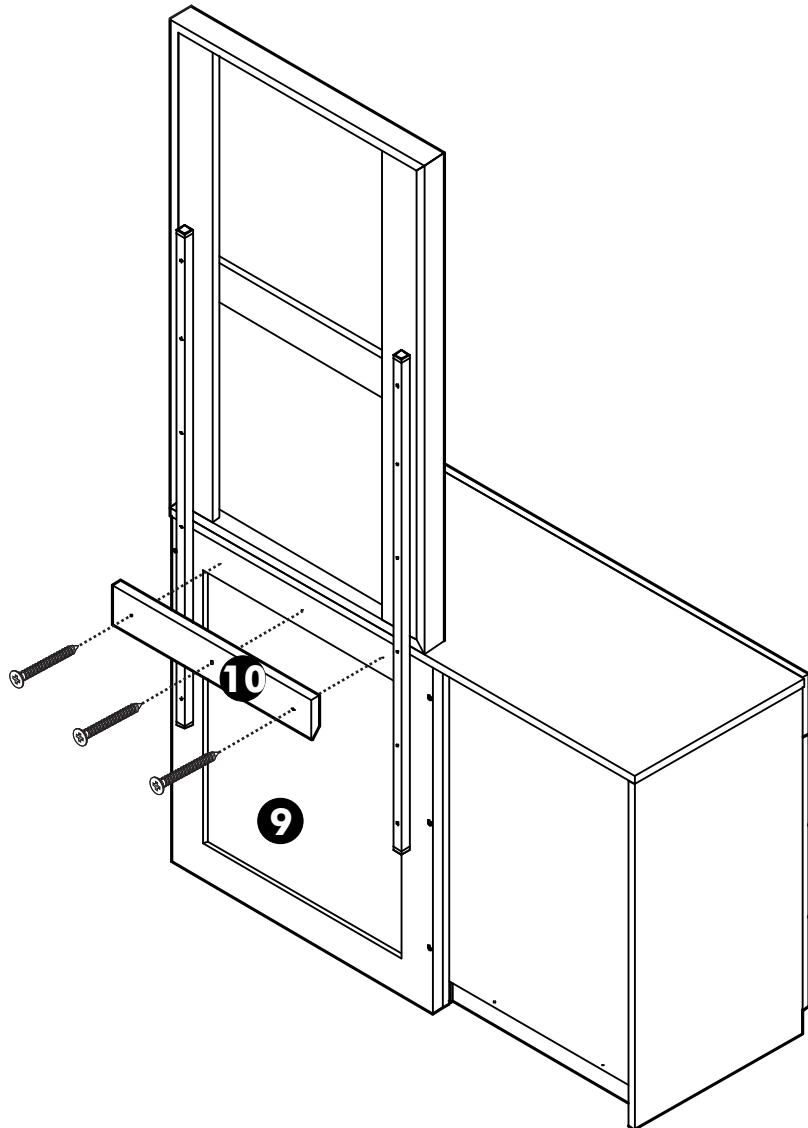
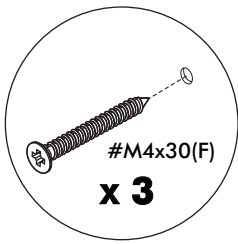
**22.**



**23.**



**24.**



25.

