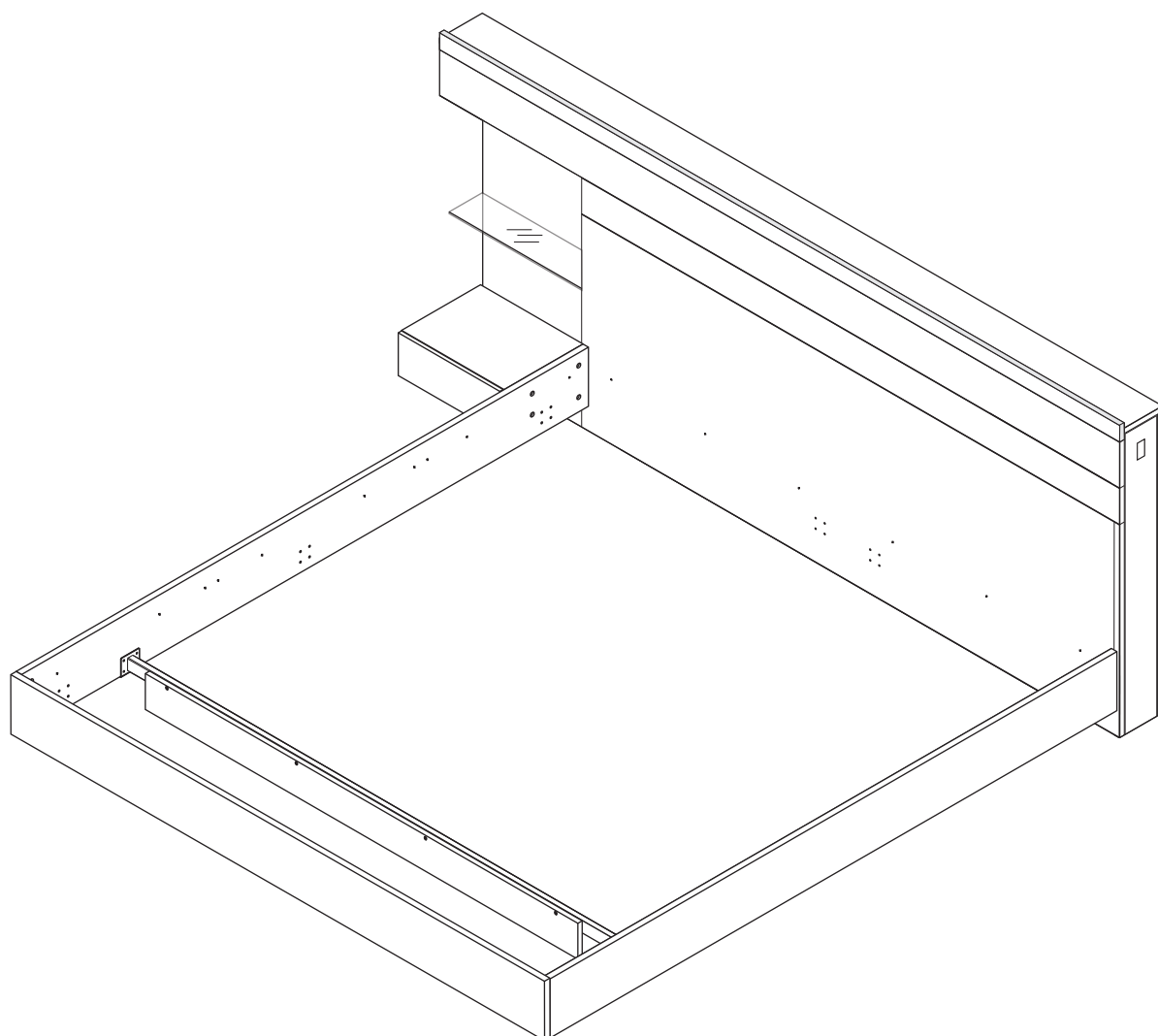
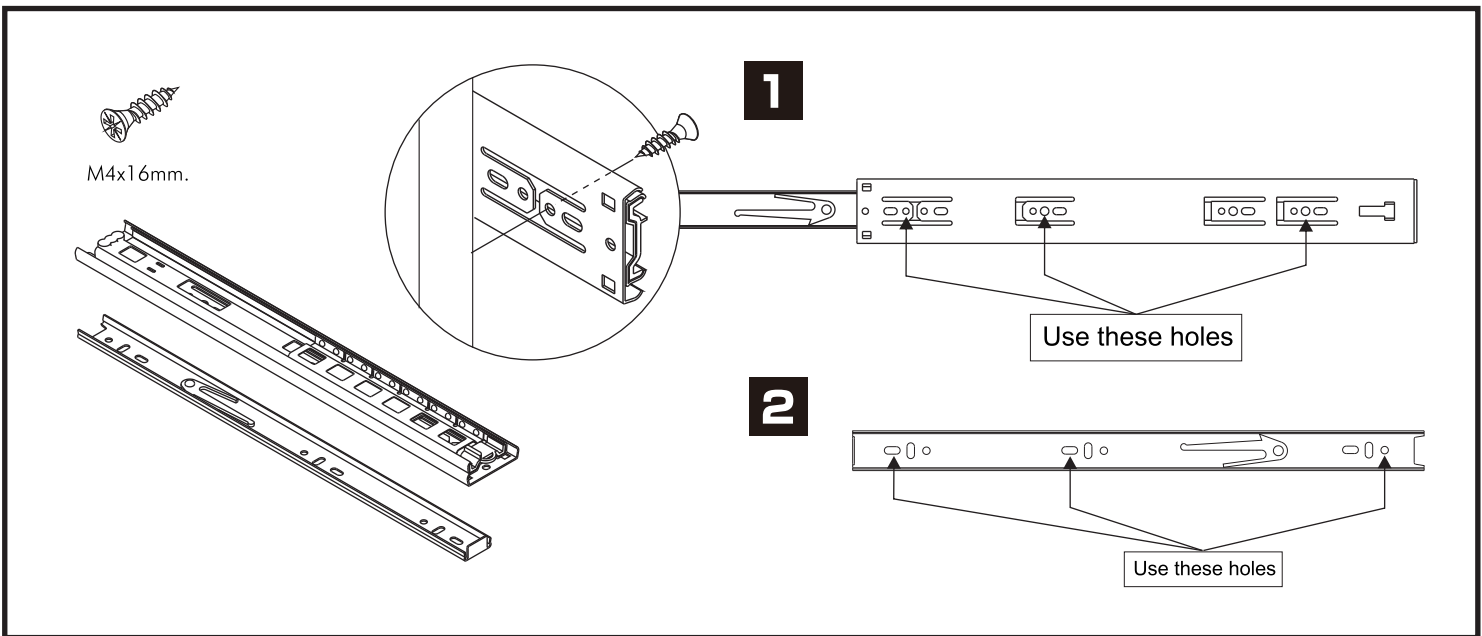
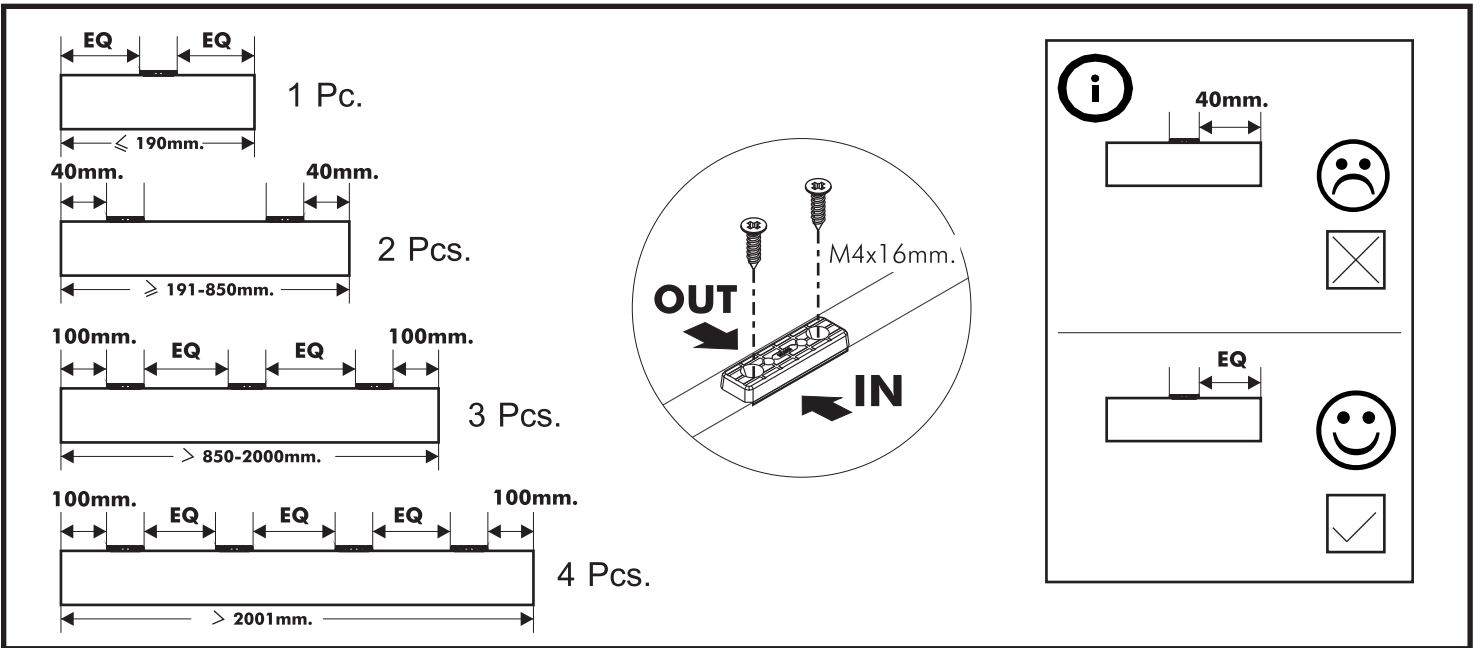
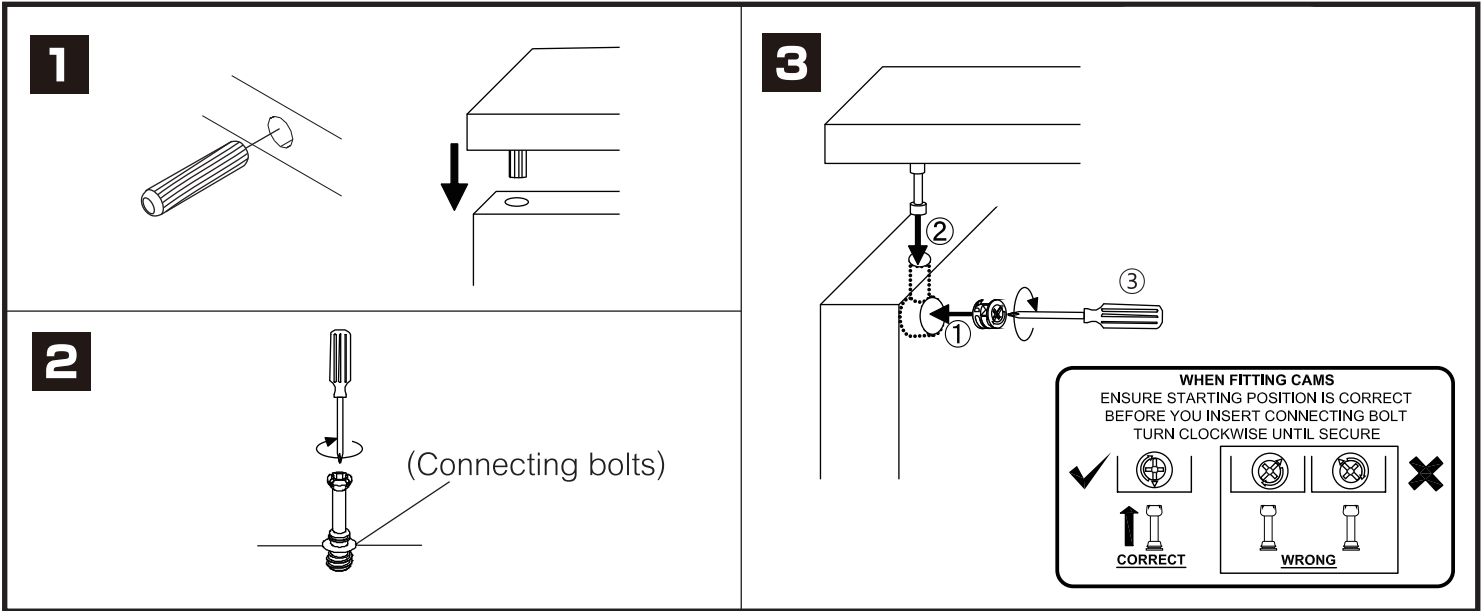


BISCOTTA-P

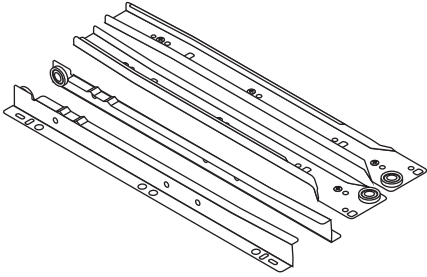
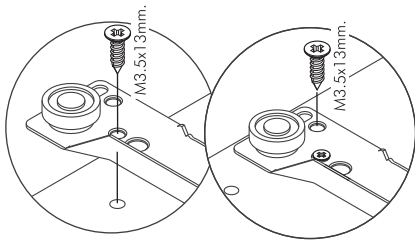
Bed 6 ft+Night table



CONNECT SYSTEM

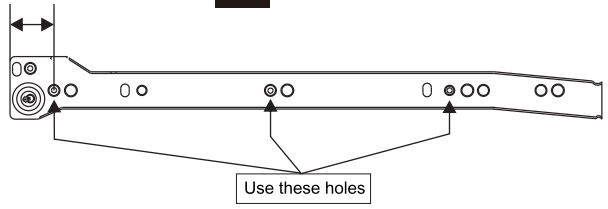


M3.5x13mm.

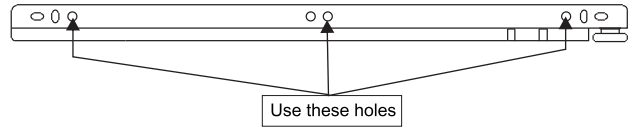


28mm.

1

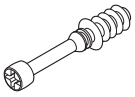


2



HARDWARE

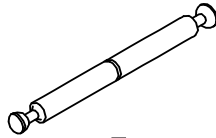
-BODY SET



x 42



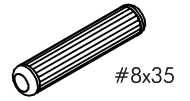
x 50



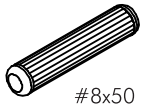
x 5



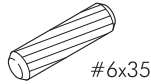
x 2



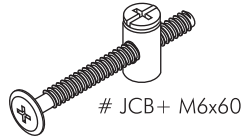
x 57



x 12



x 22



x 4



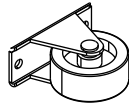
x 4



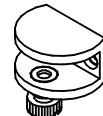
x 4



x 2



x 1



x 2



x 6



x 6



x 6



x 20



x 8



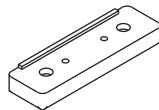
x 2



x 4



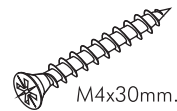
x 6



x 16



x 18



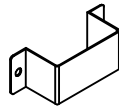
x 19



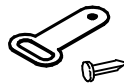
x 32



x 3

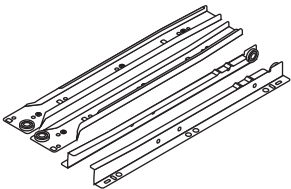


x 1



x 3

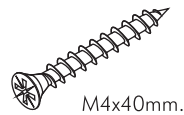
-DRAWER SET



x 1



x 22



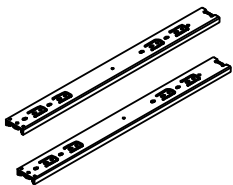
x 27



x 4

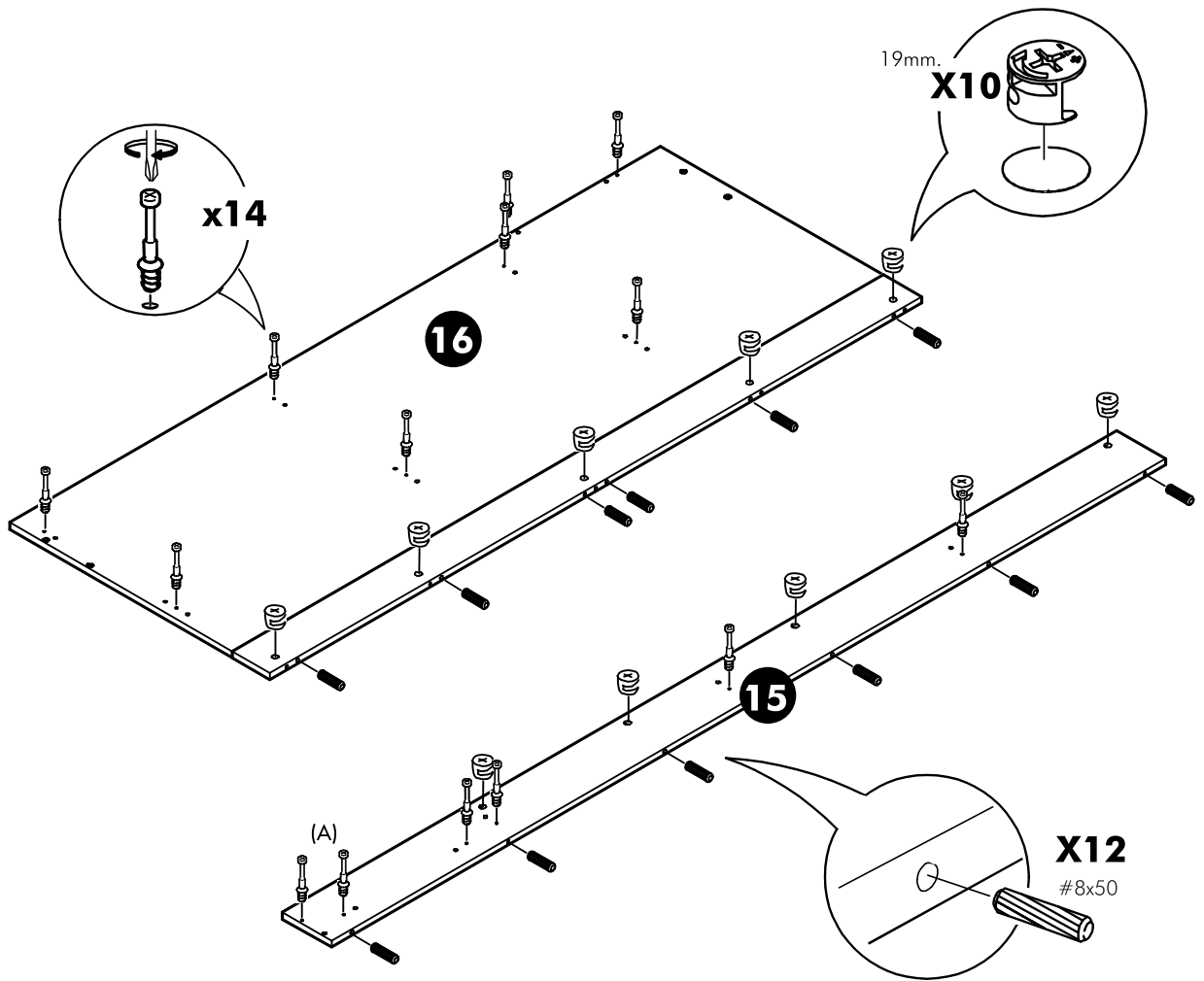


x 8

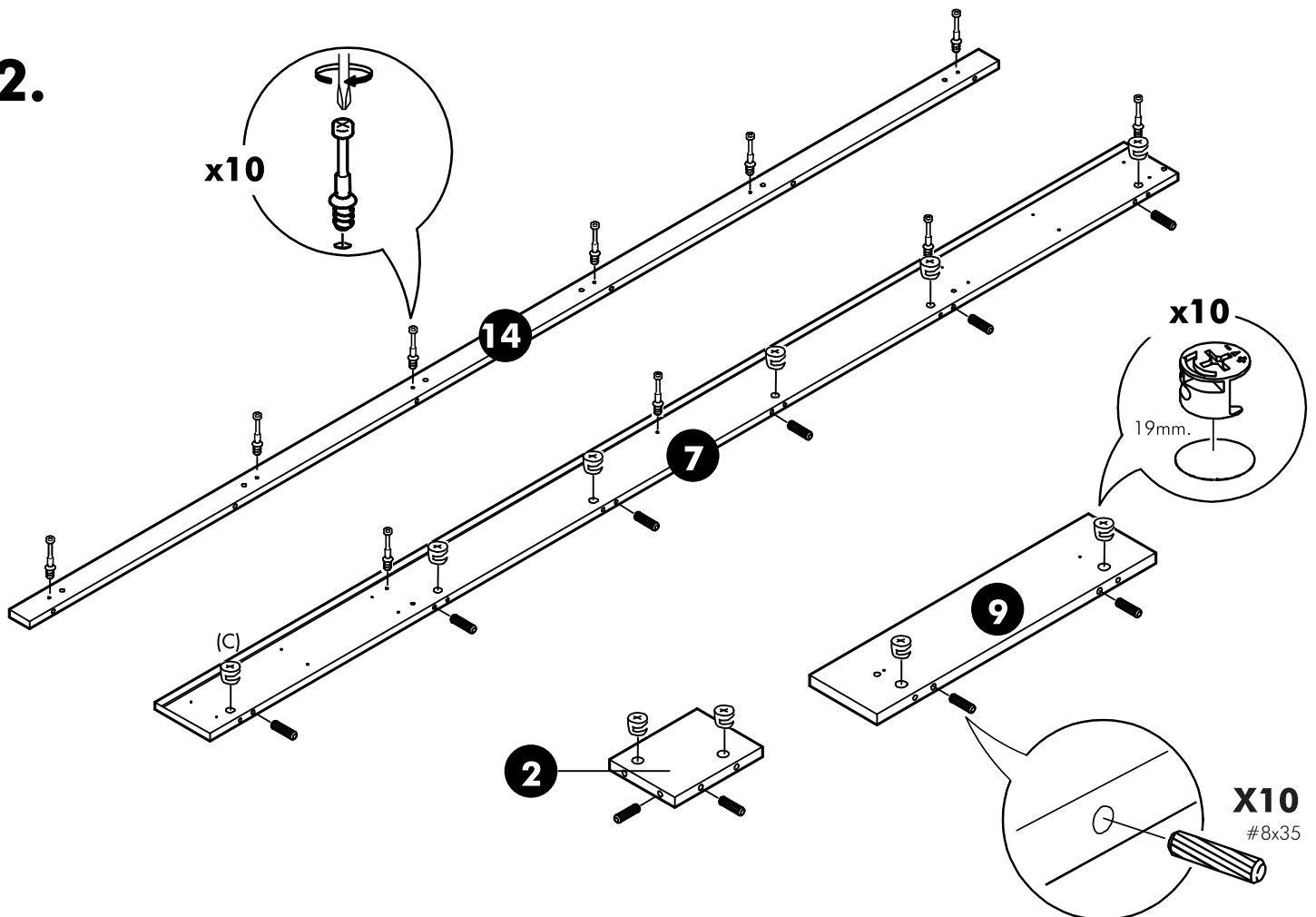


x 1

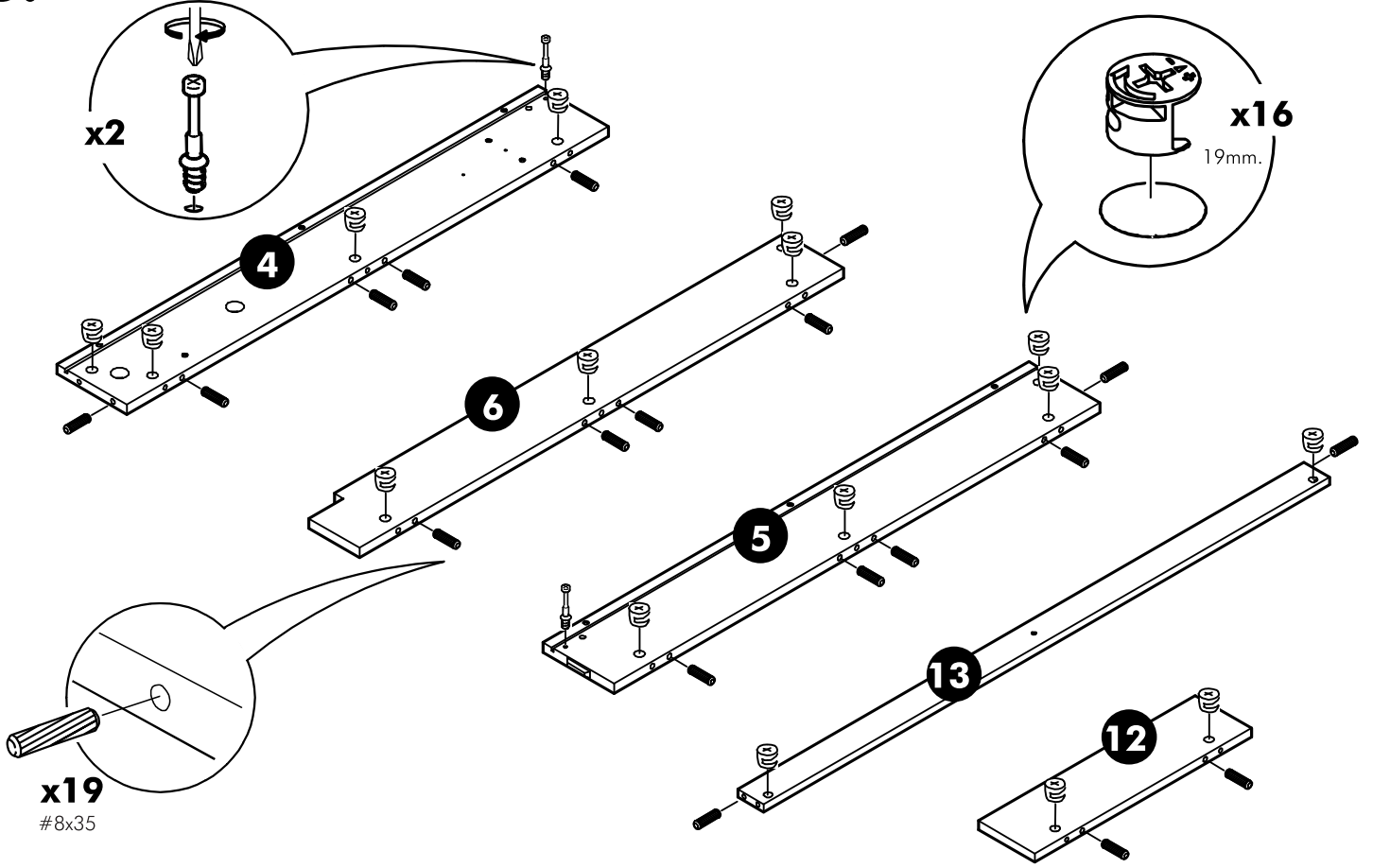
1.



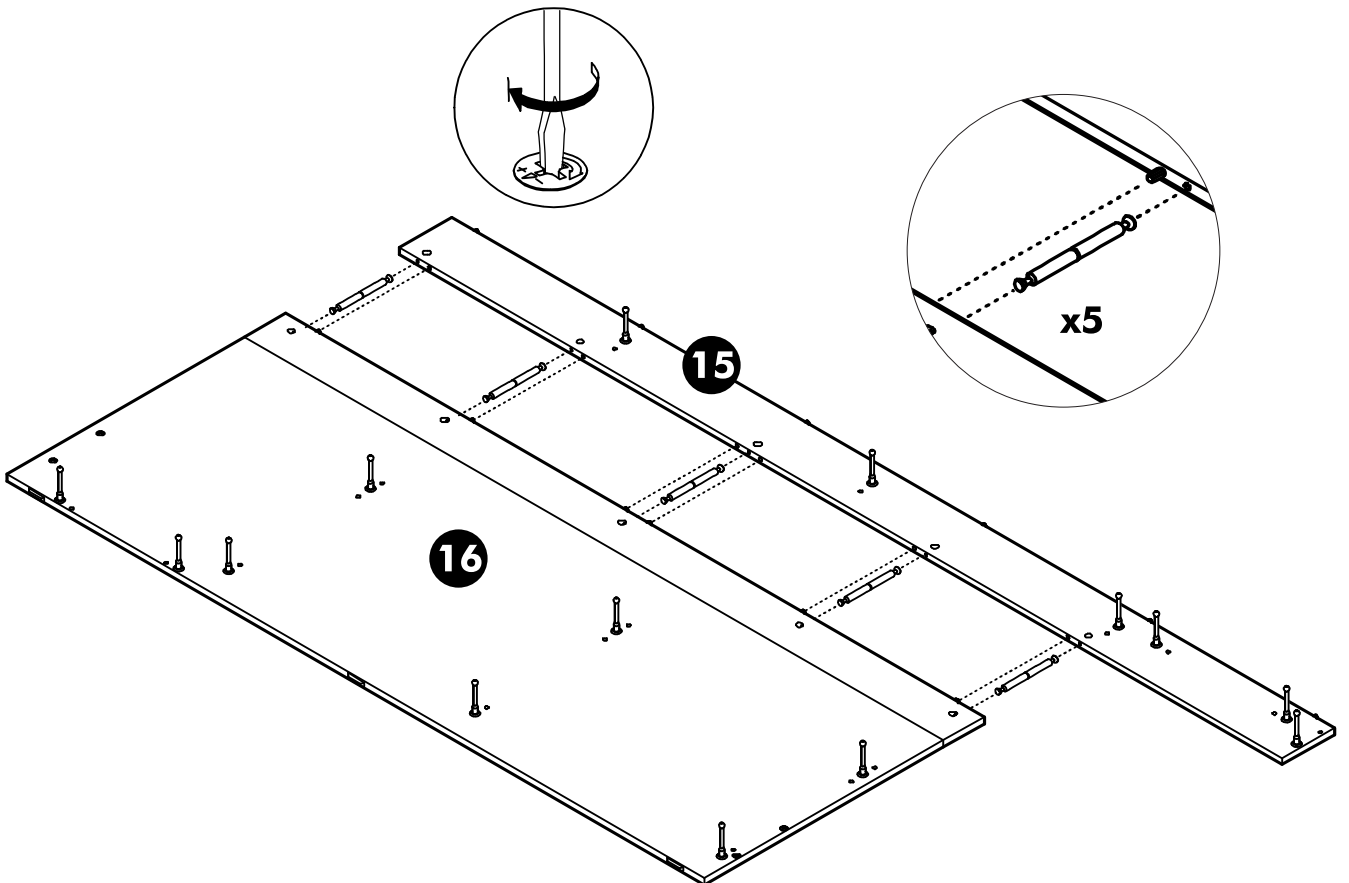
2.



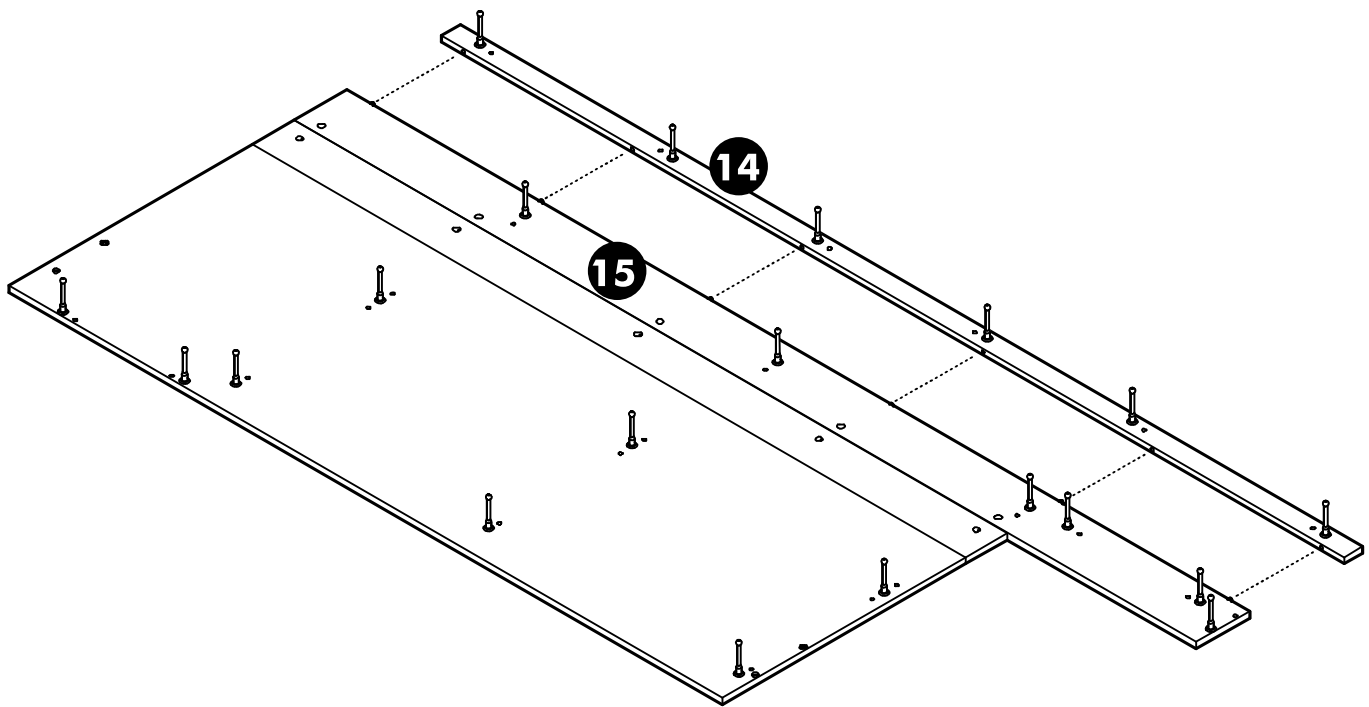
3.



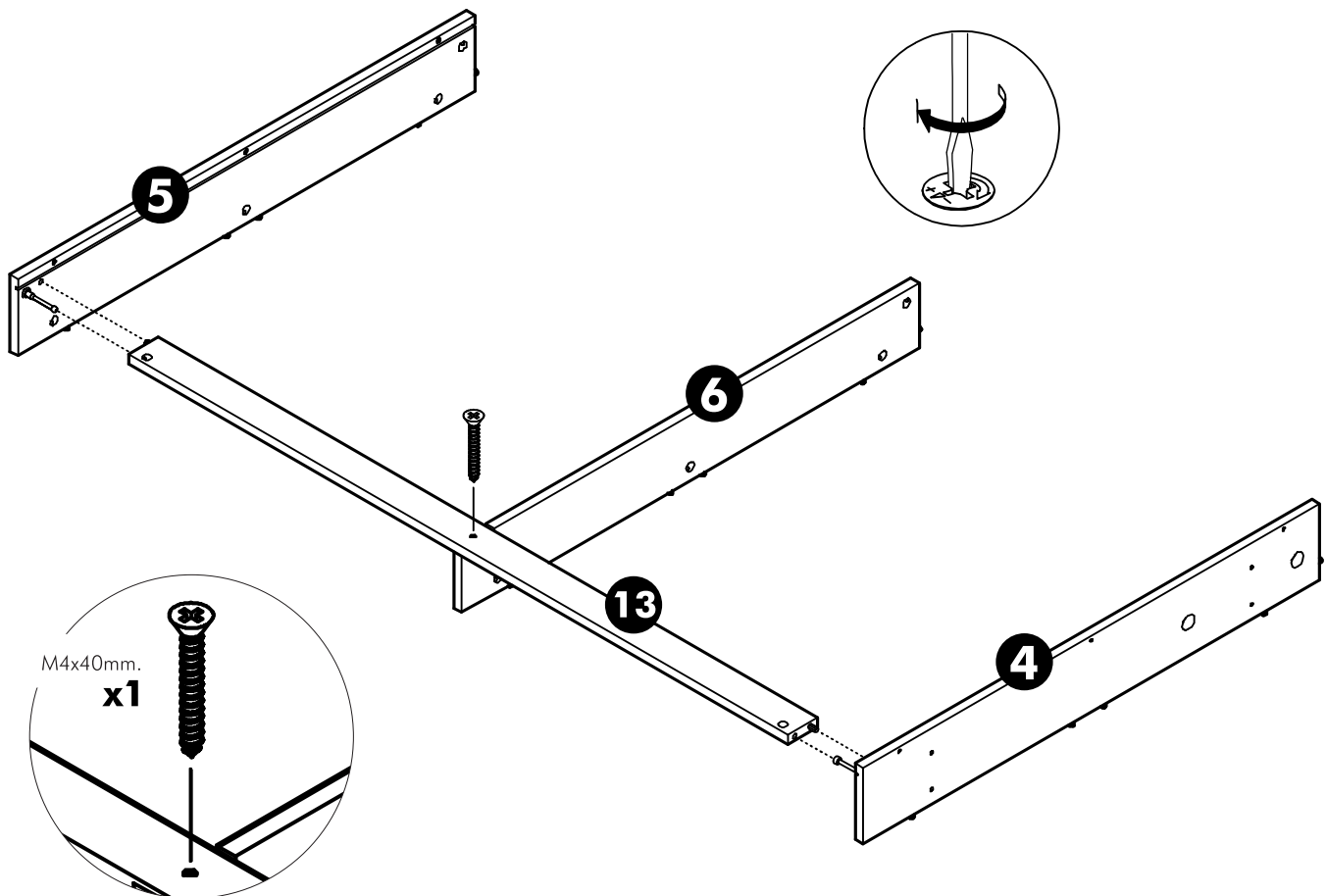
4.



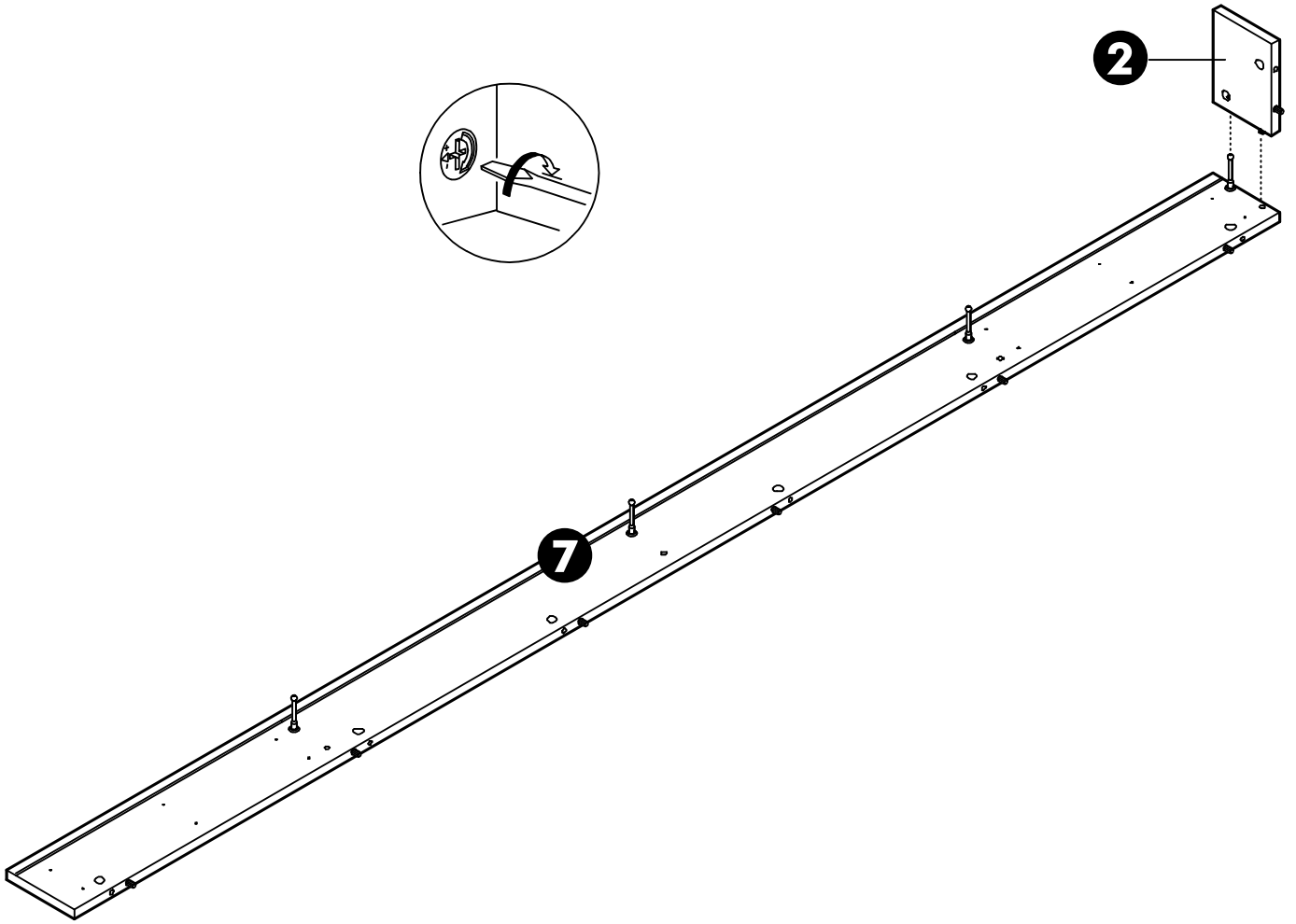
5.



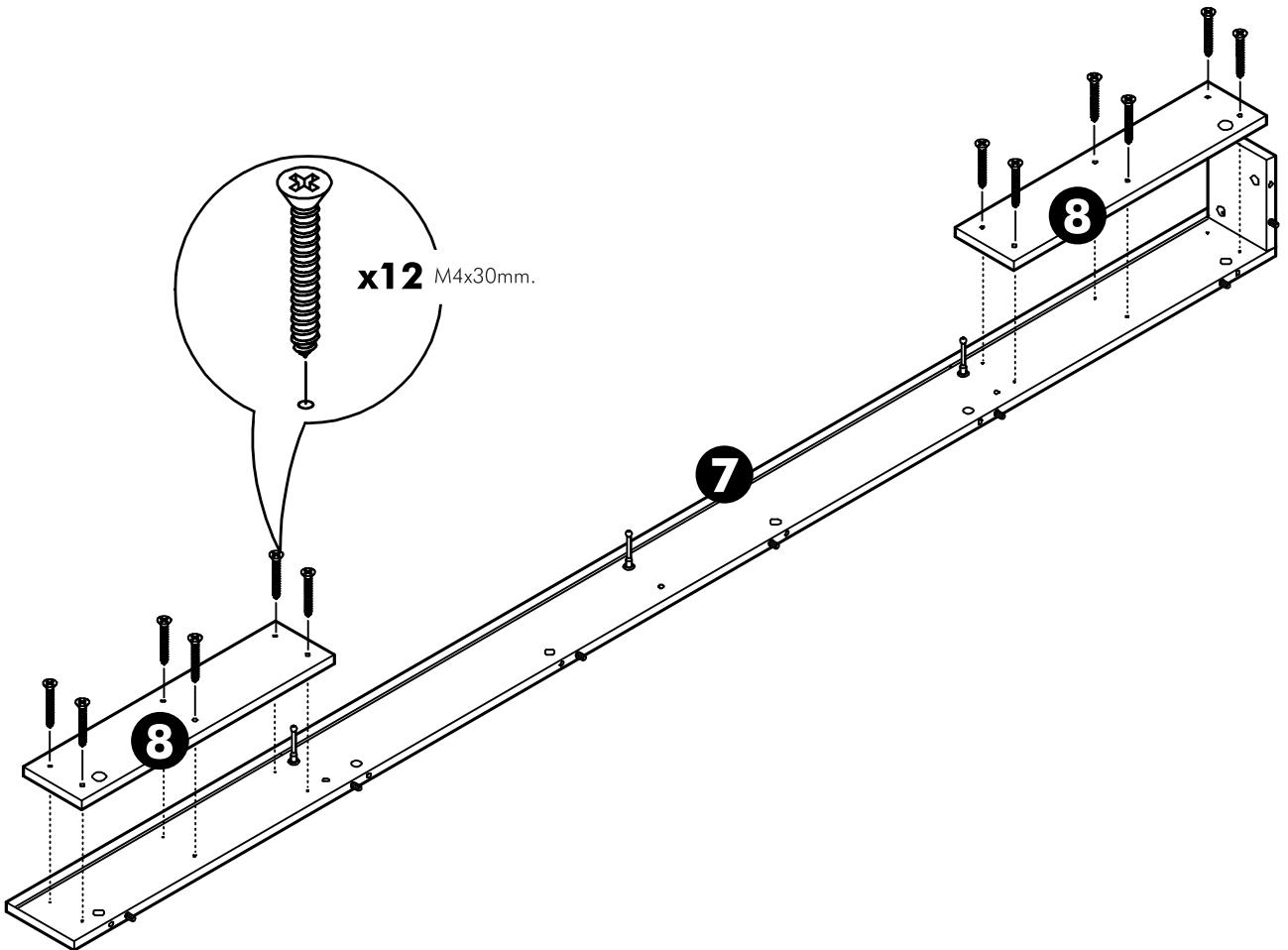
6.



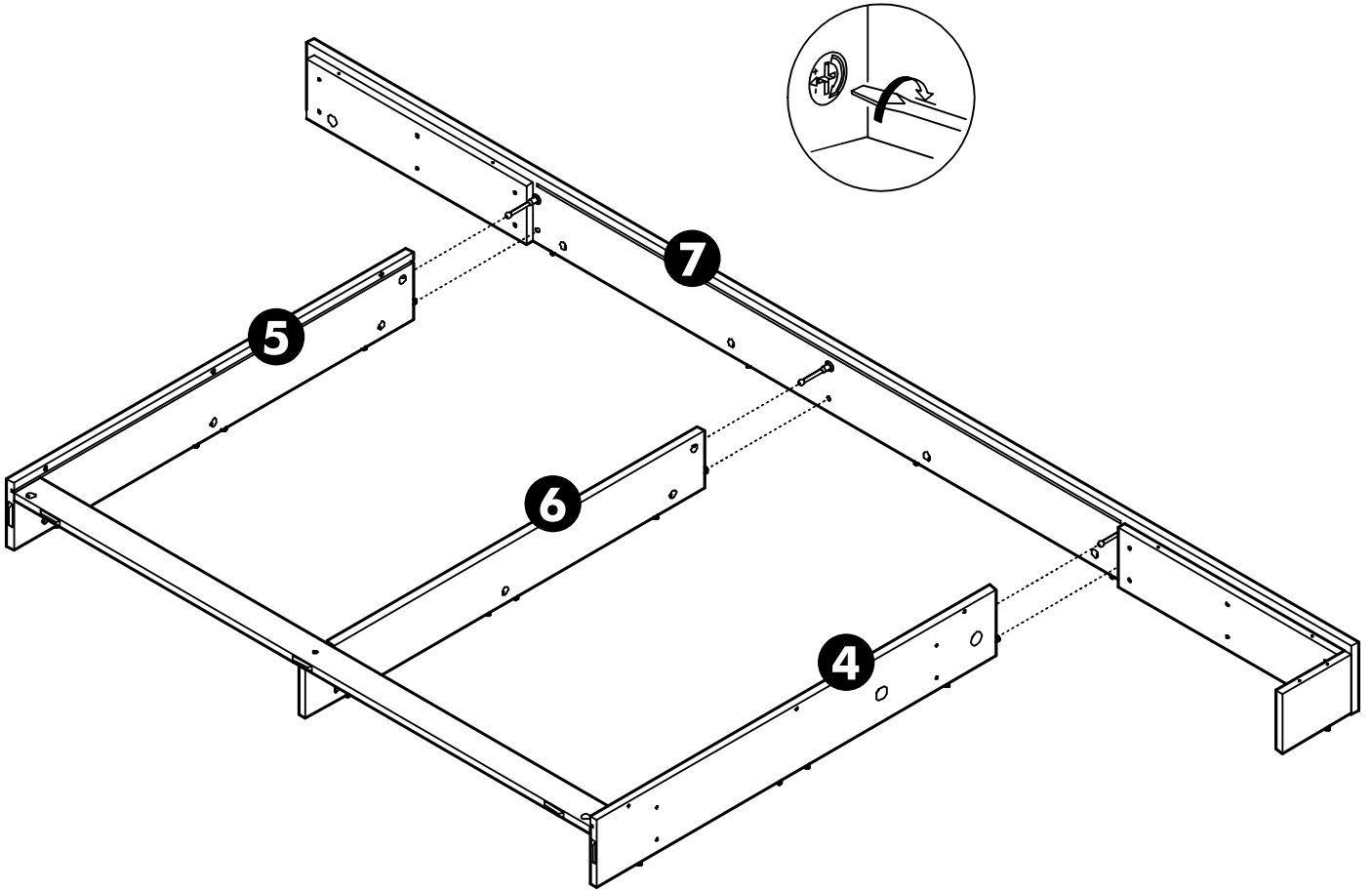
7.



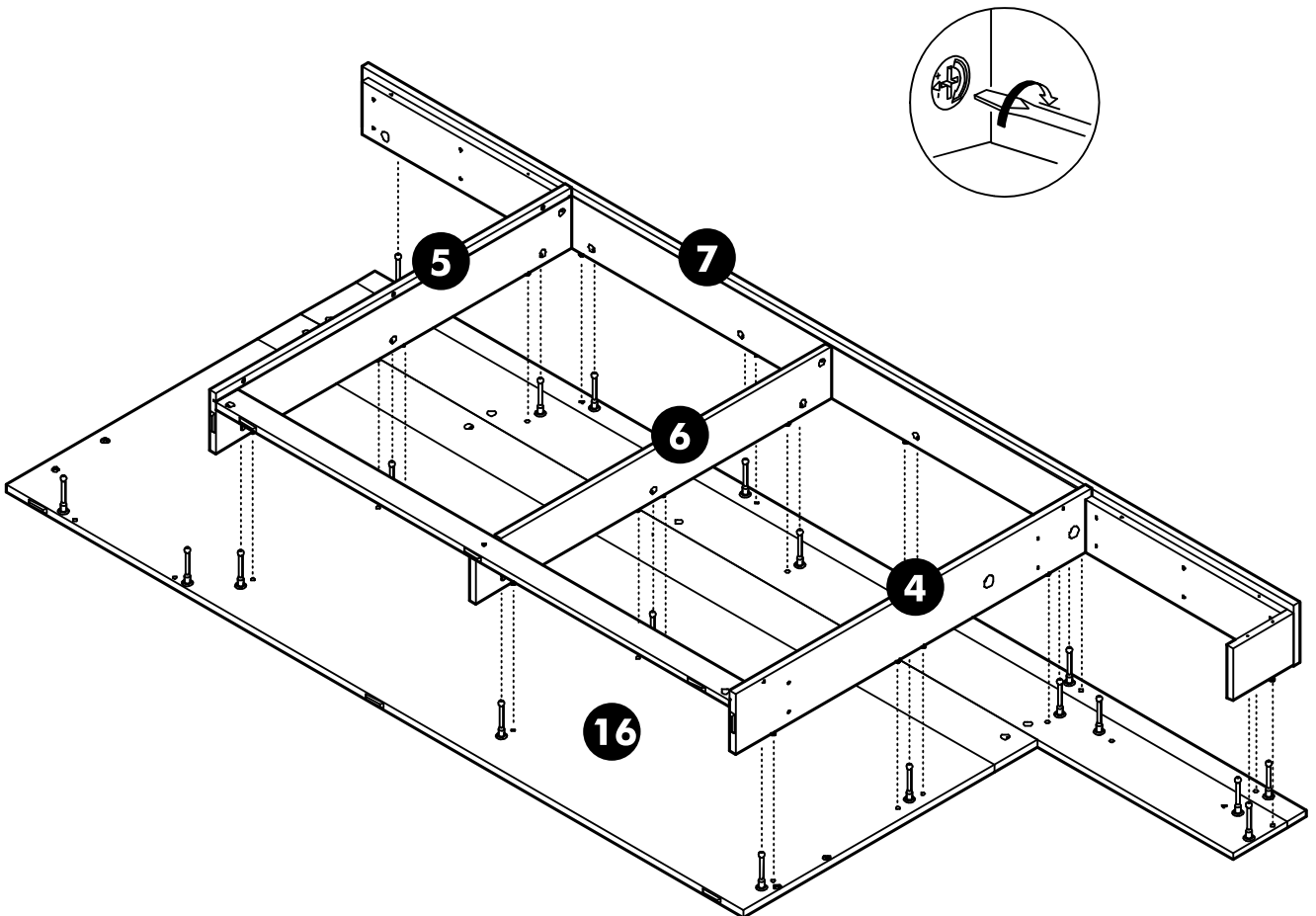
8.



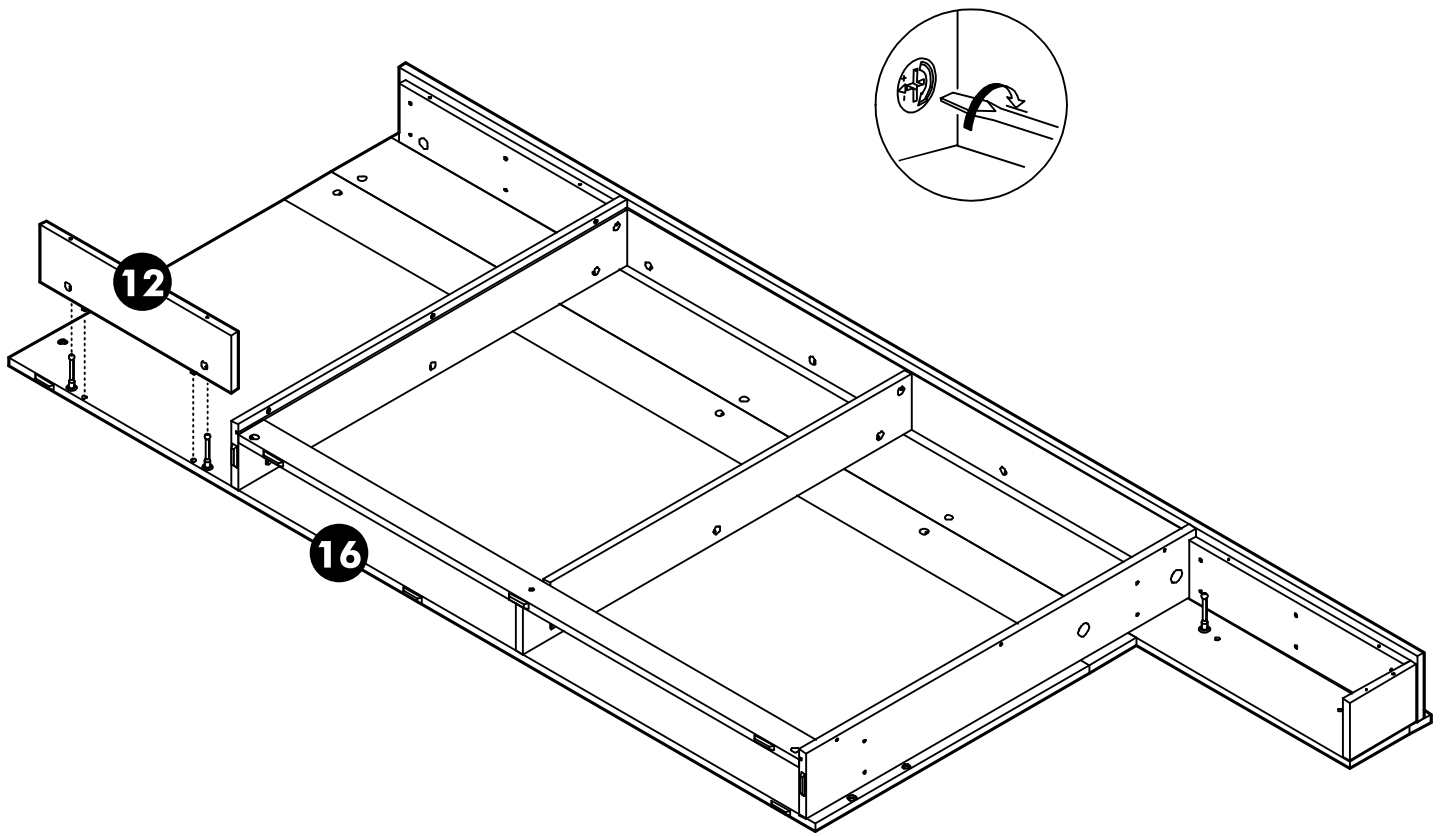
9.



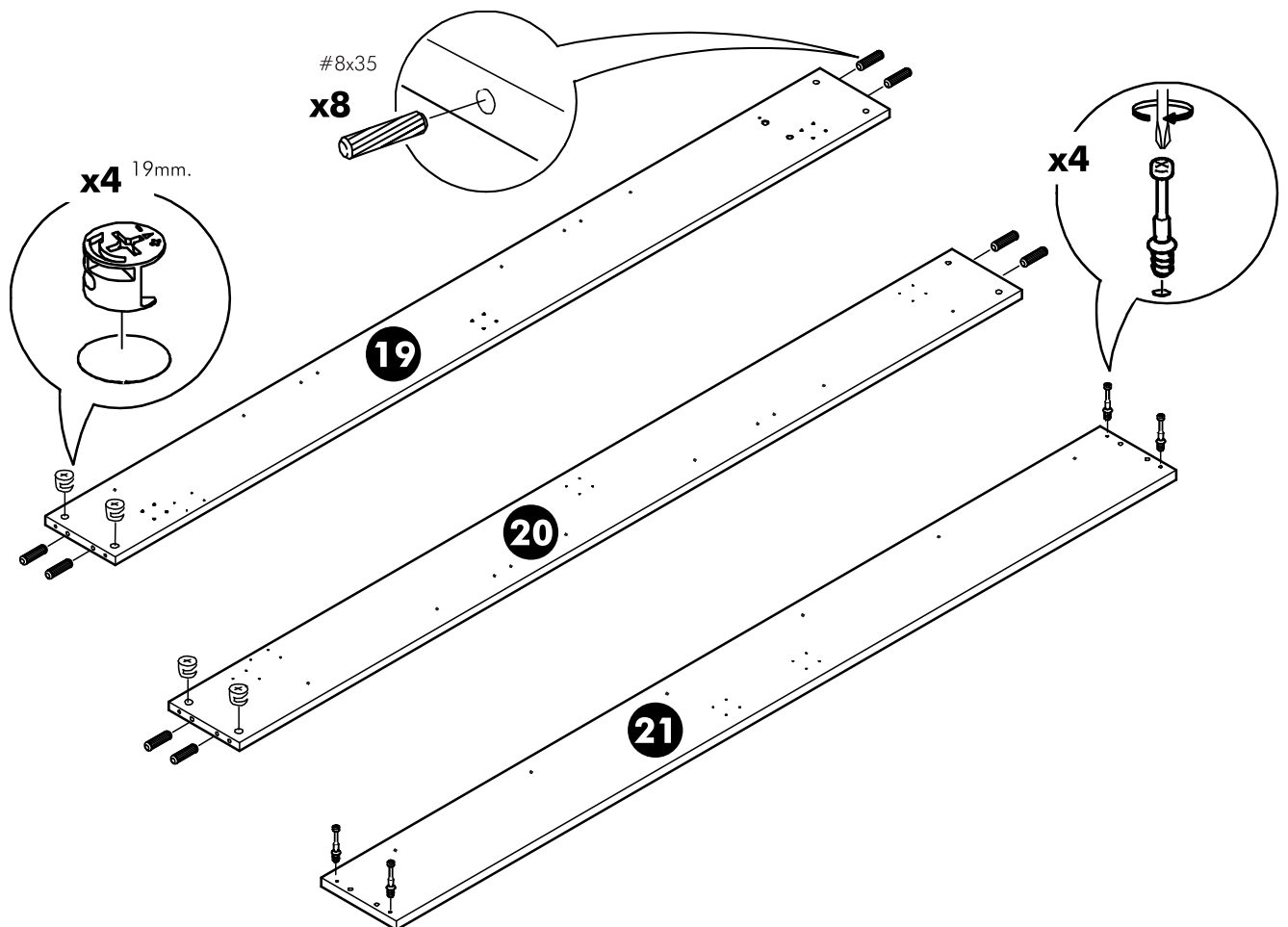
10.



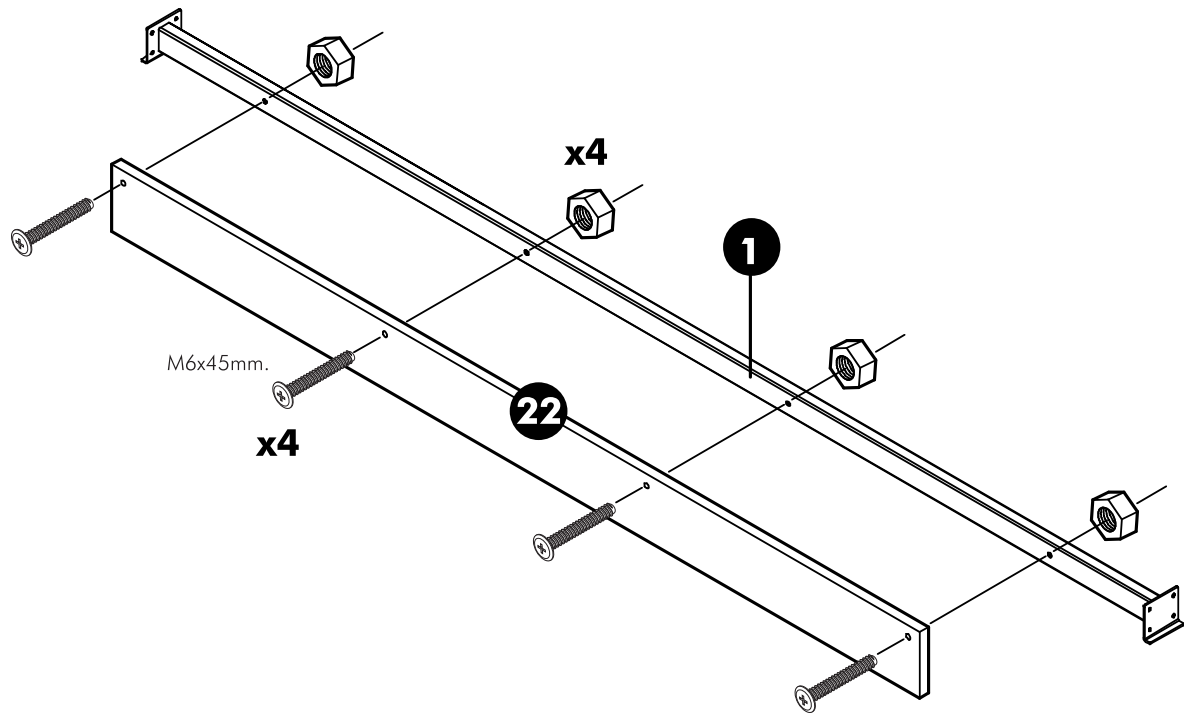
11.



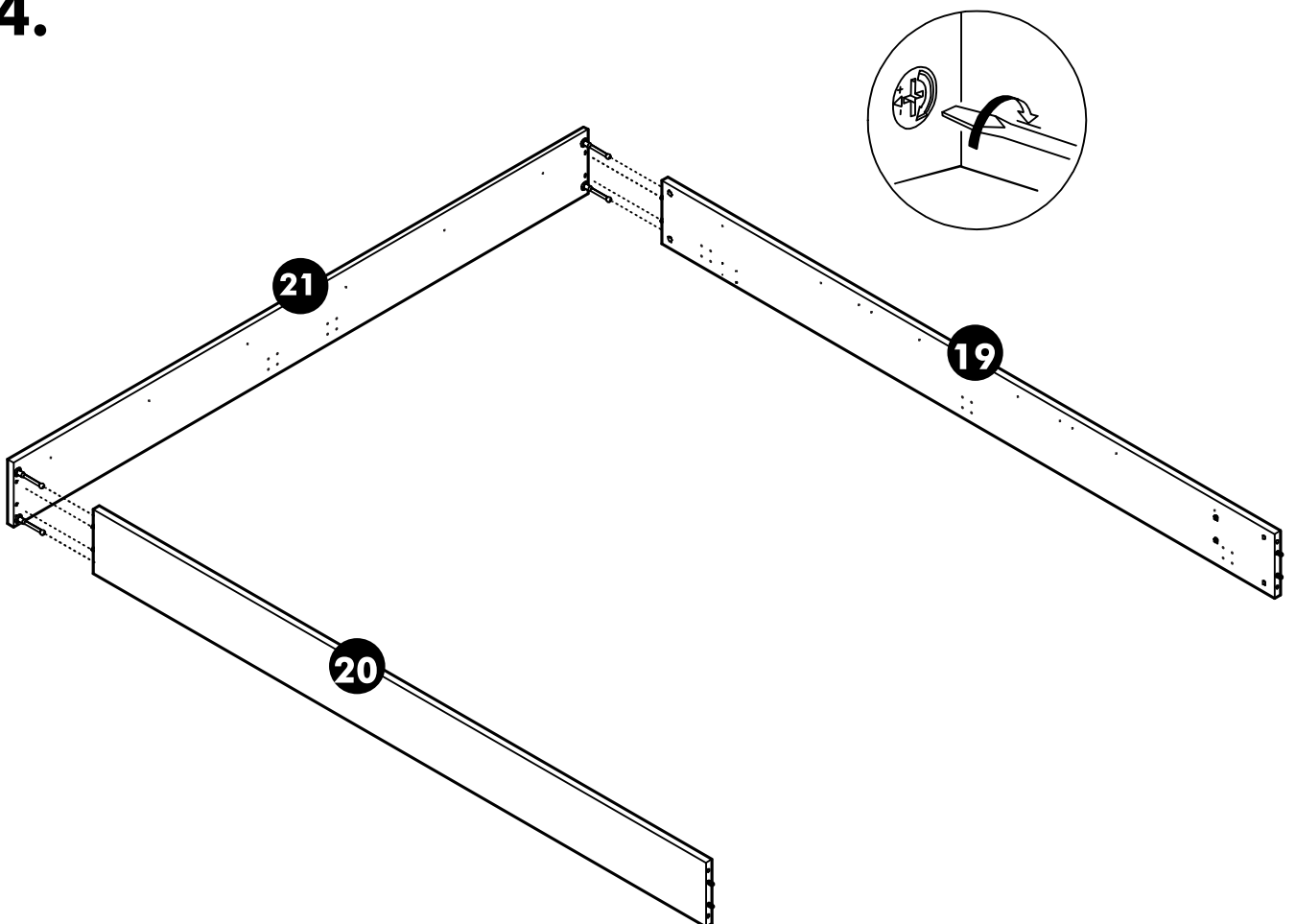
12.



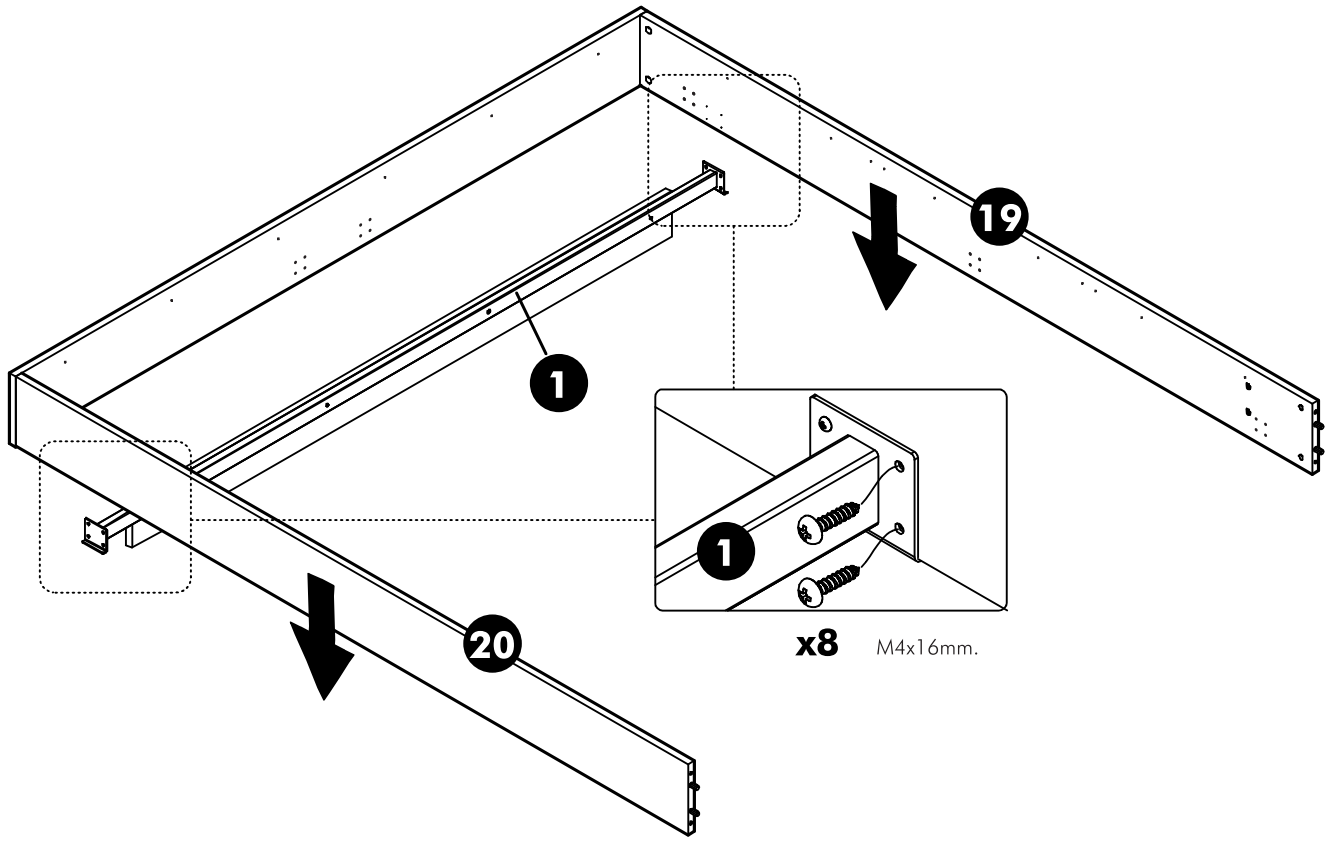
13.



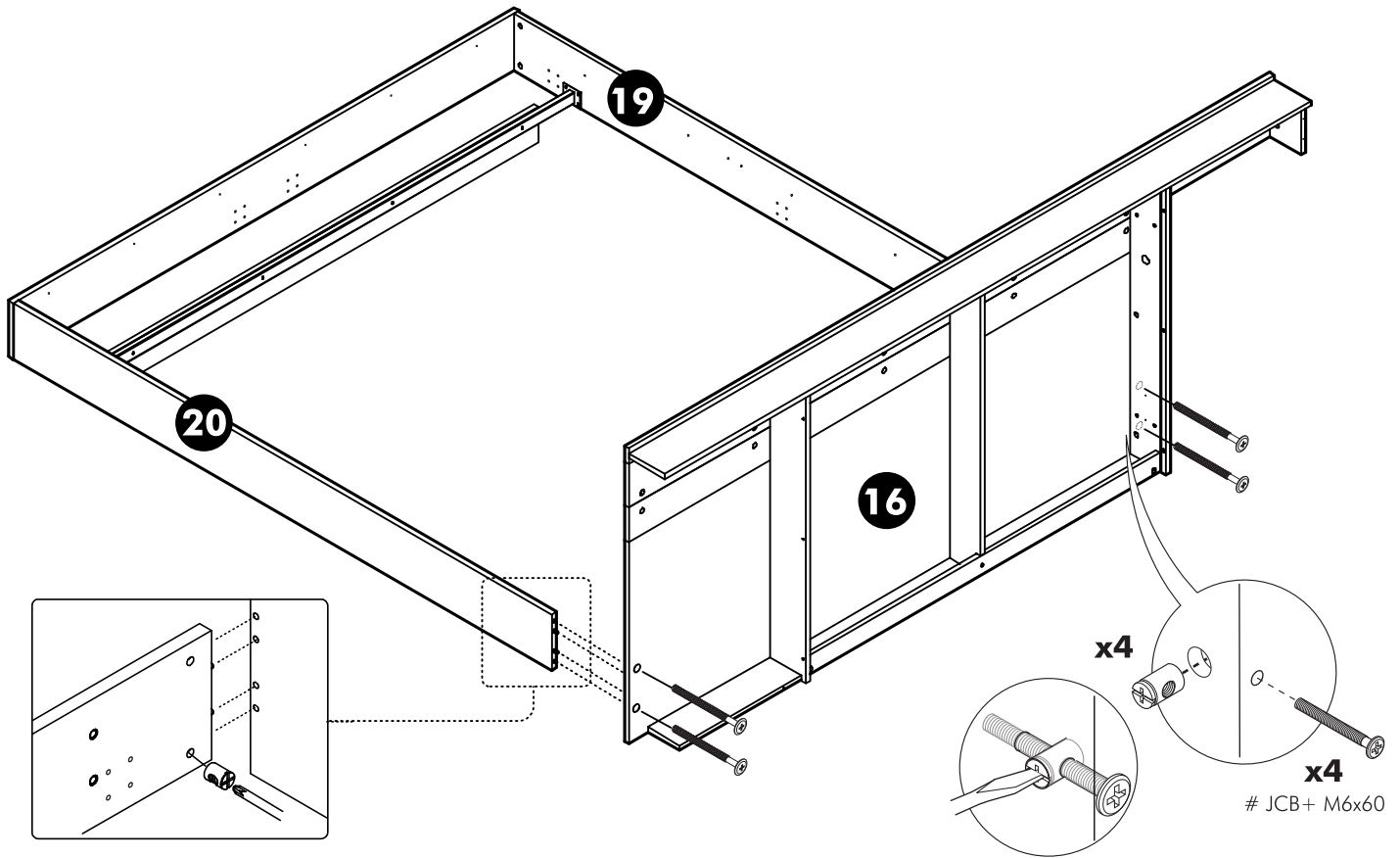
14.



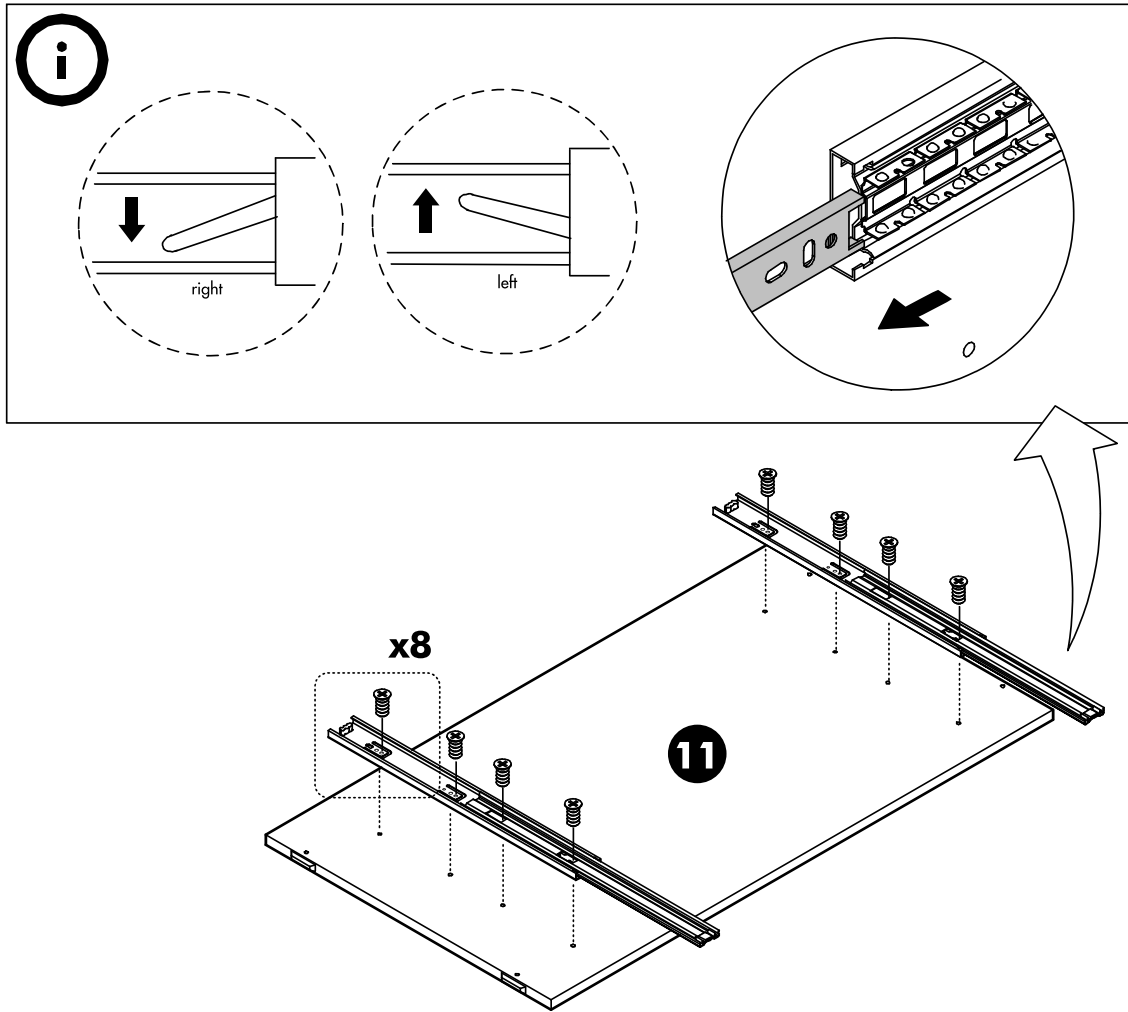
15.



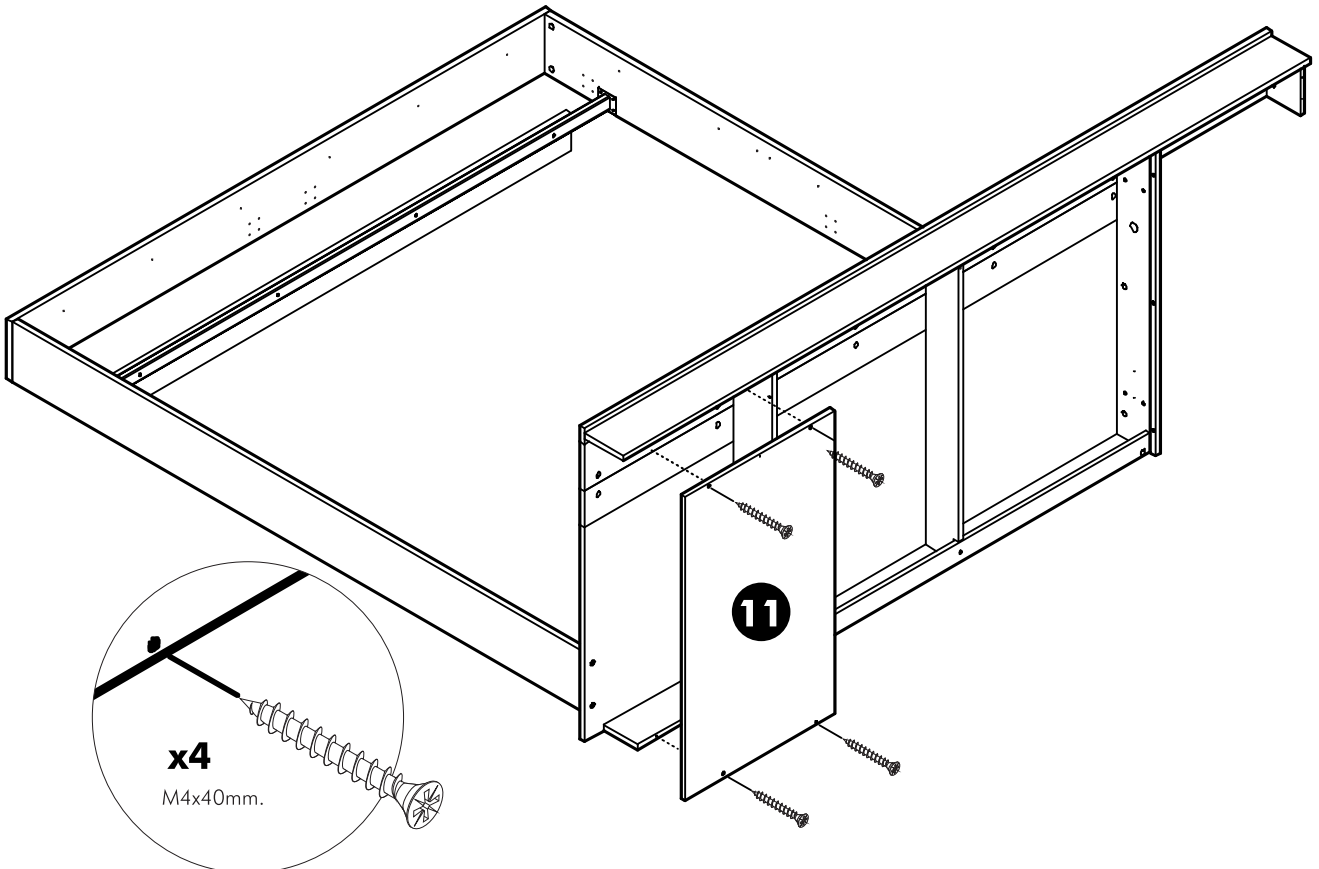
16.



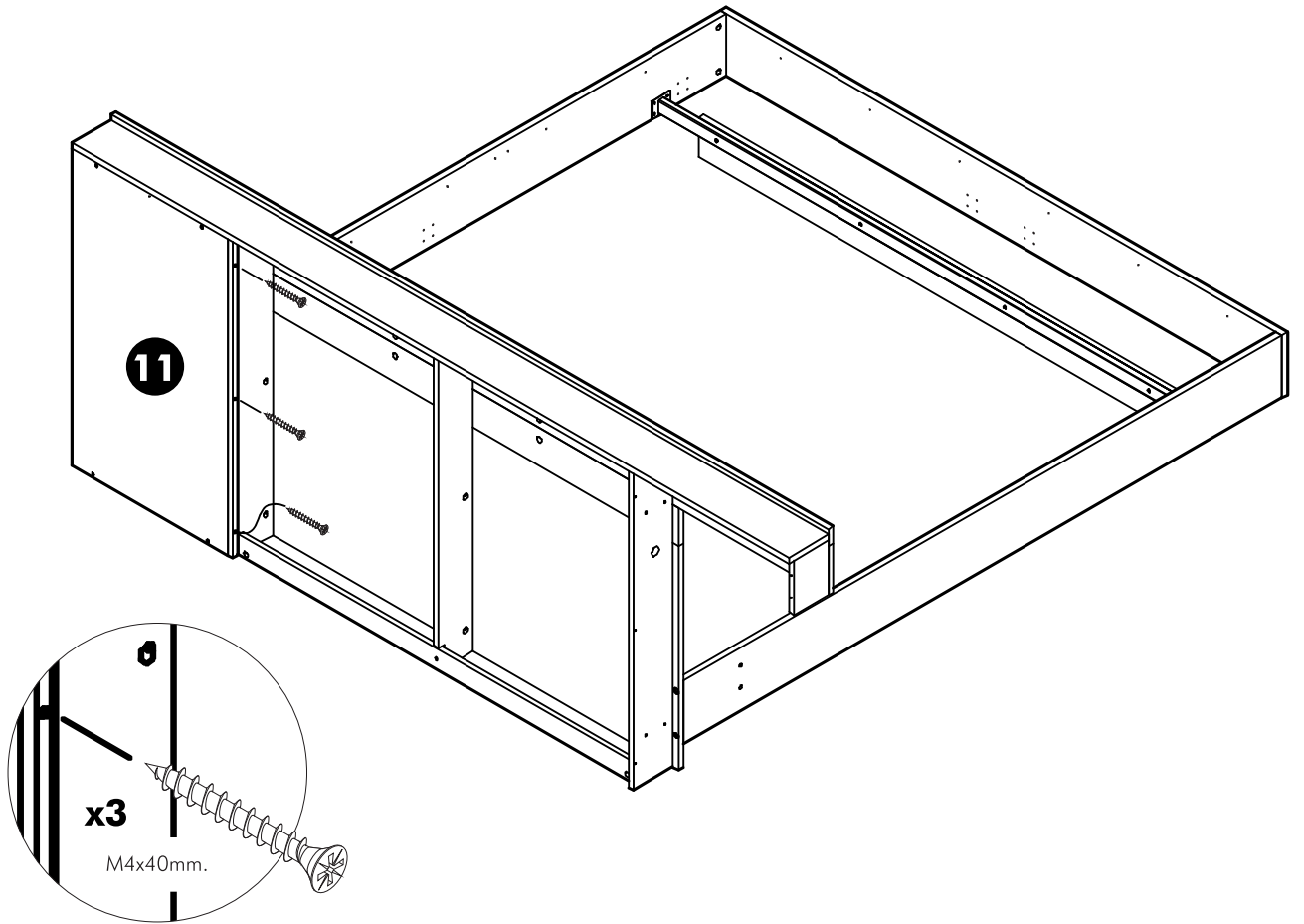
17.



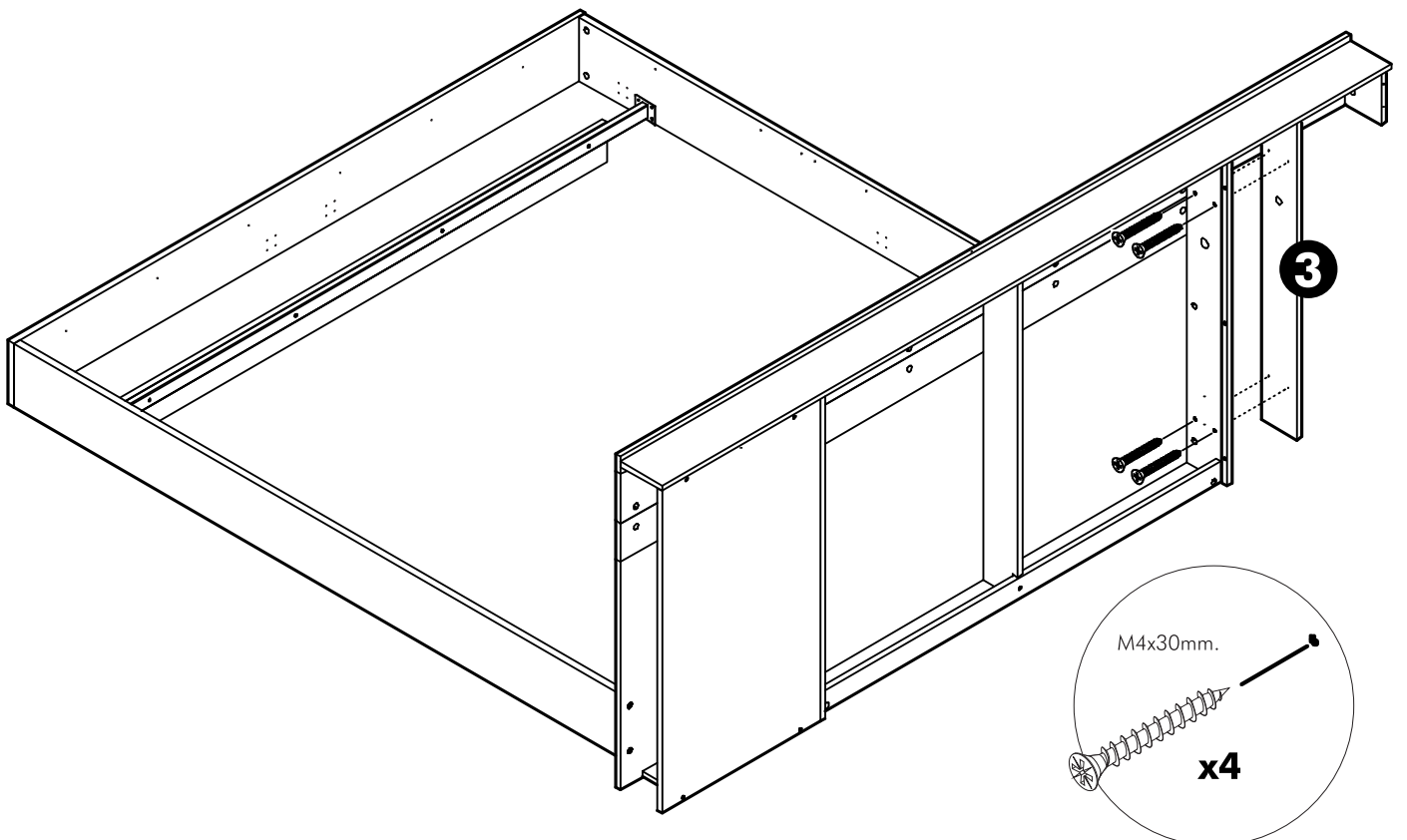
18.



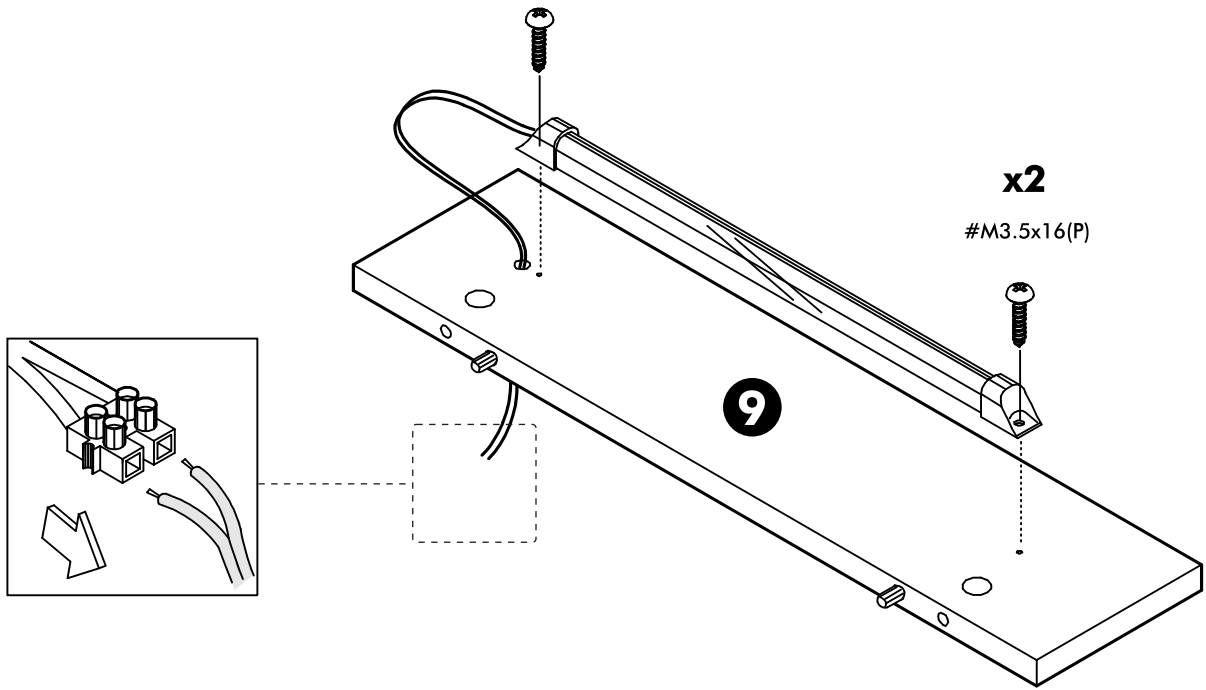
19.



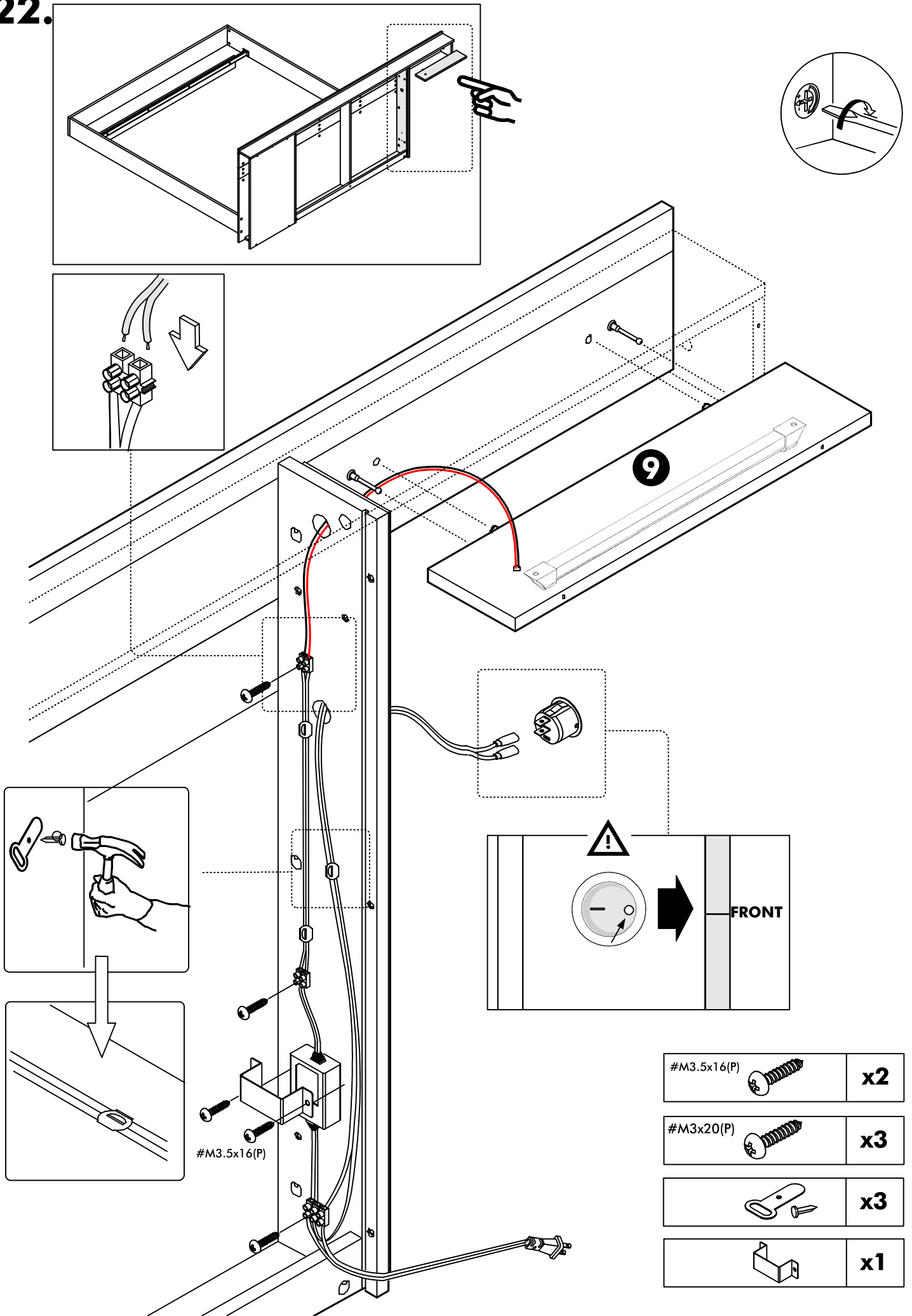
20.




21.





22.

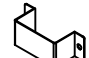


#M3.5x16(P)

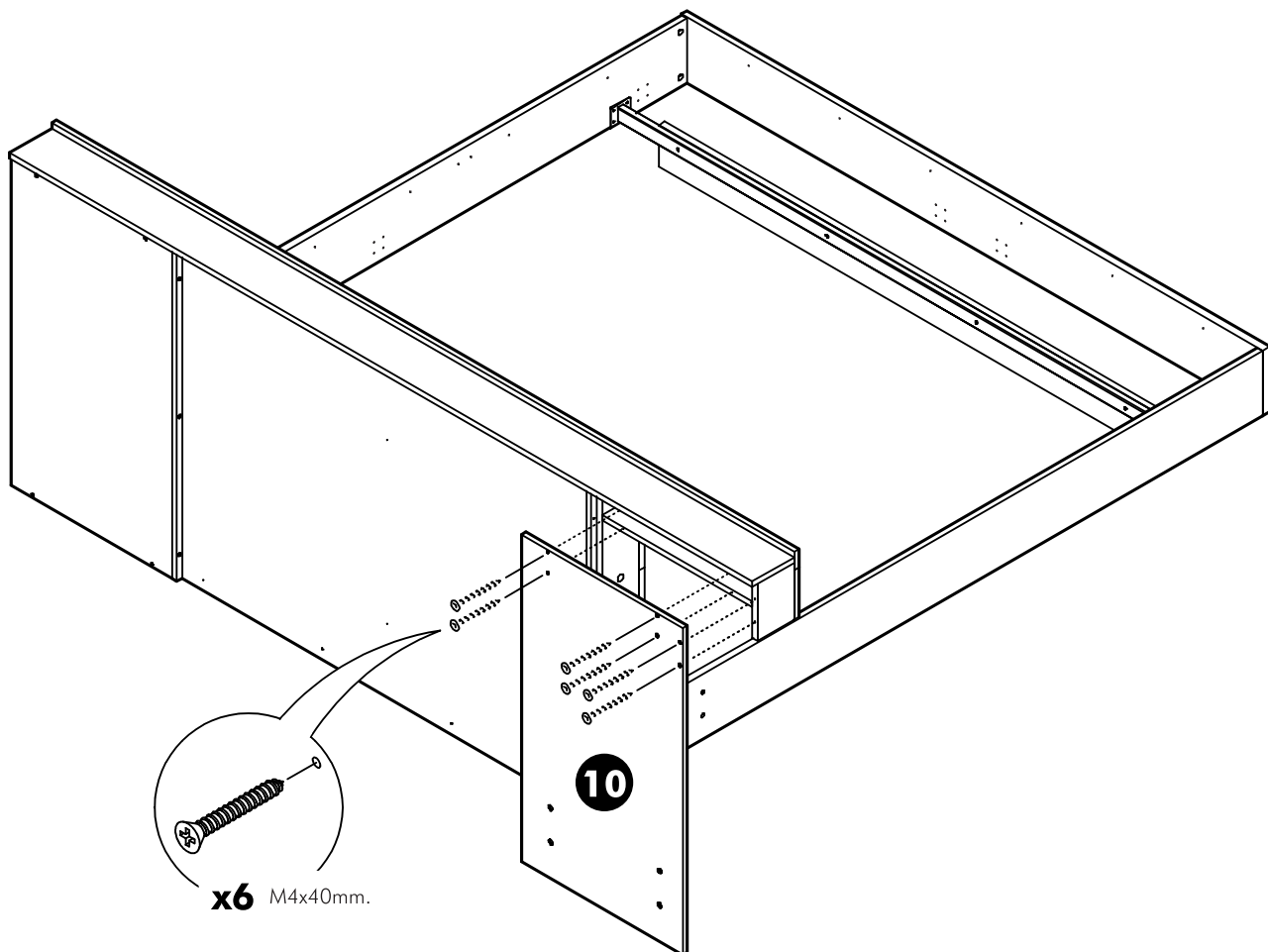
#M3.5x16(P)		x2
-------------	---	-----------

#M3x20(P)		x3
-----------	---	-----------

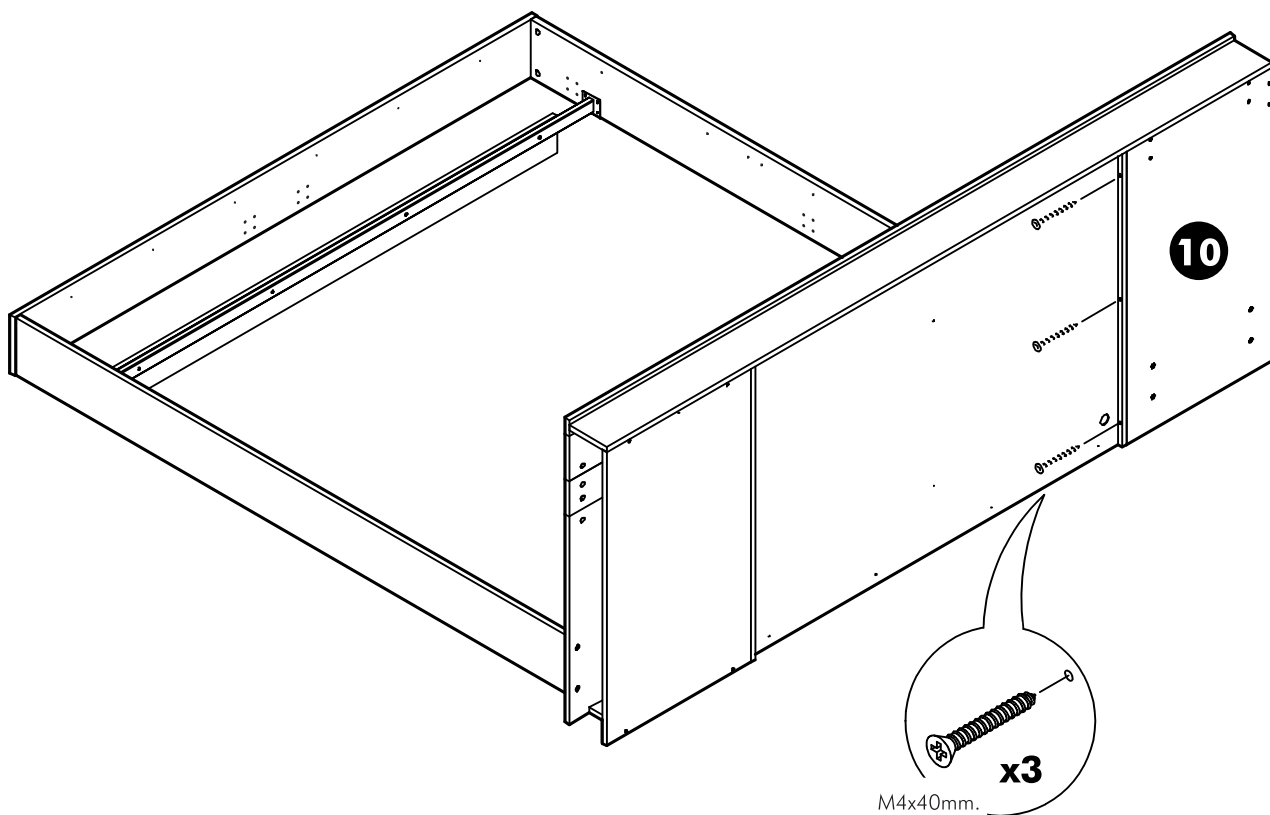
	x3
---	-----------

	x1
---	-----------

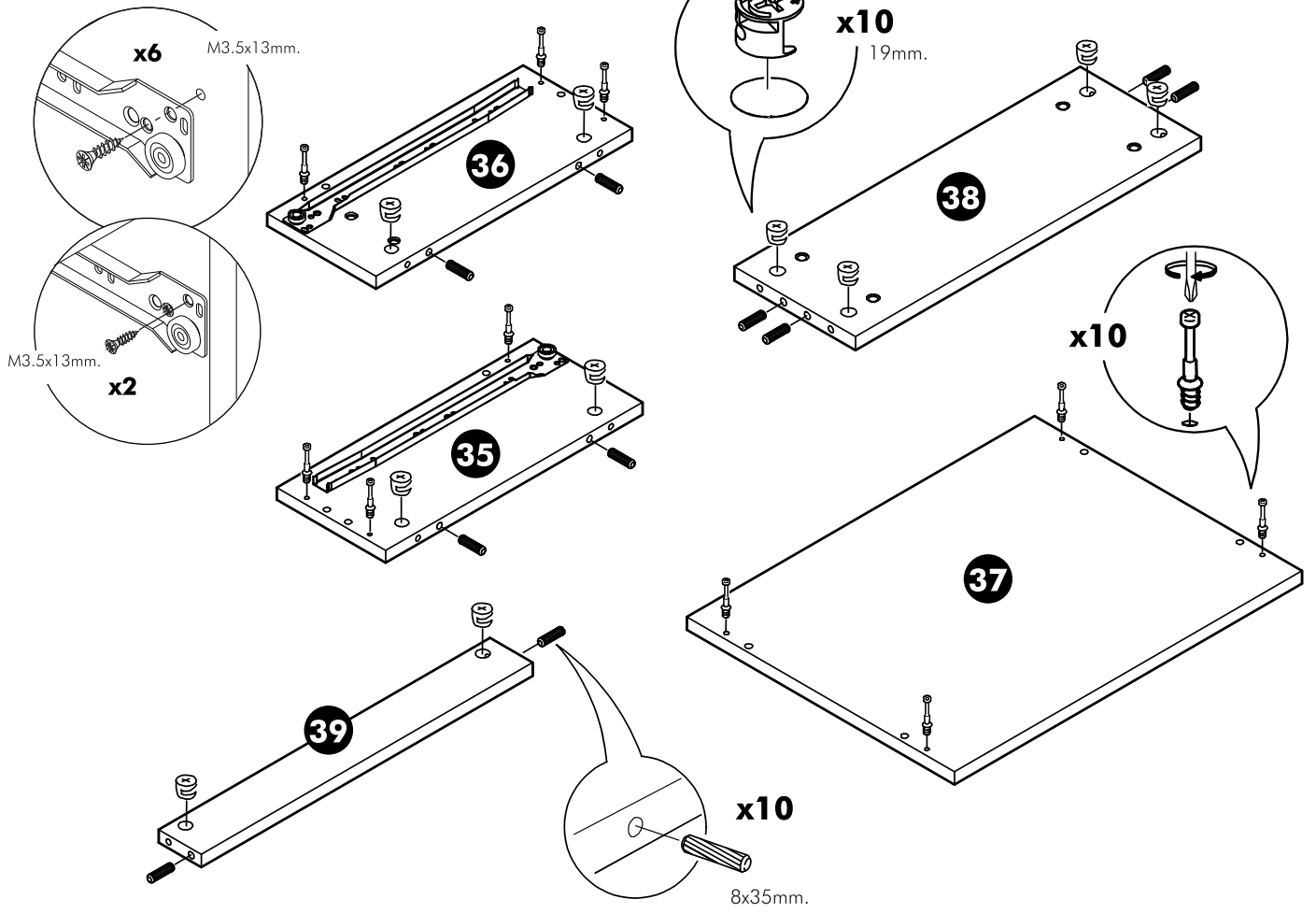
25.



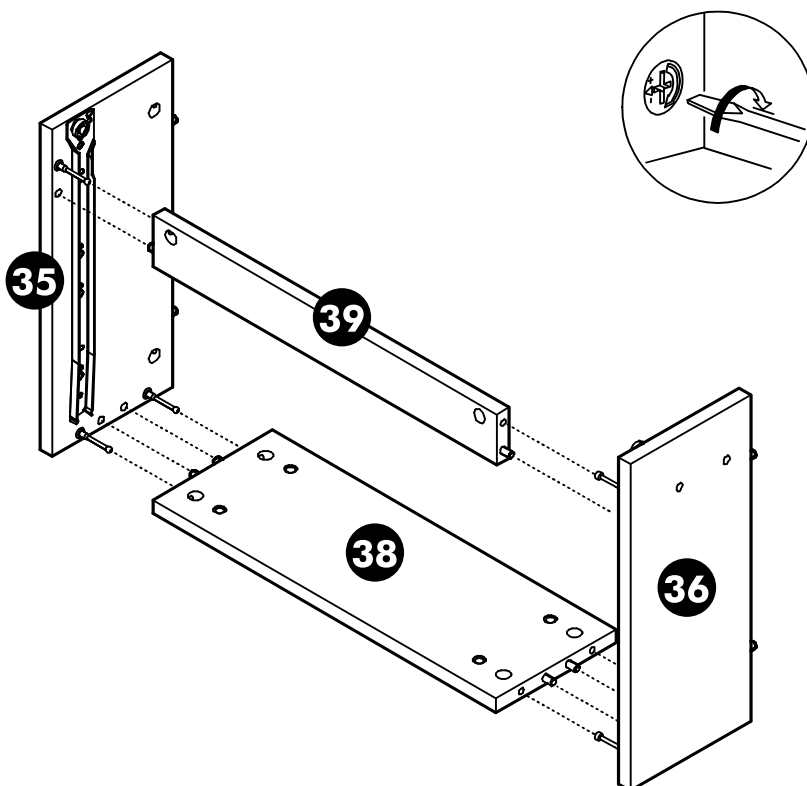
26.



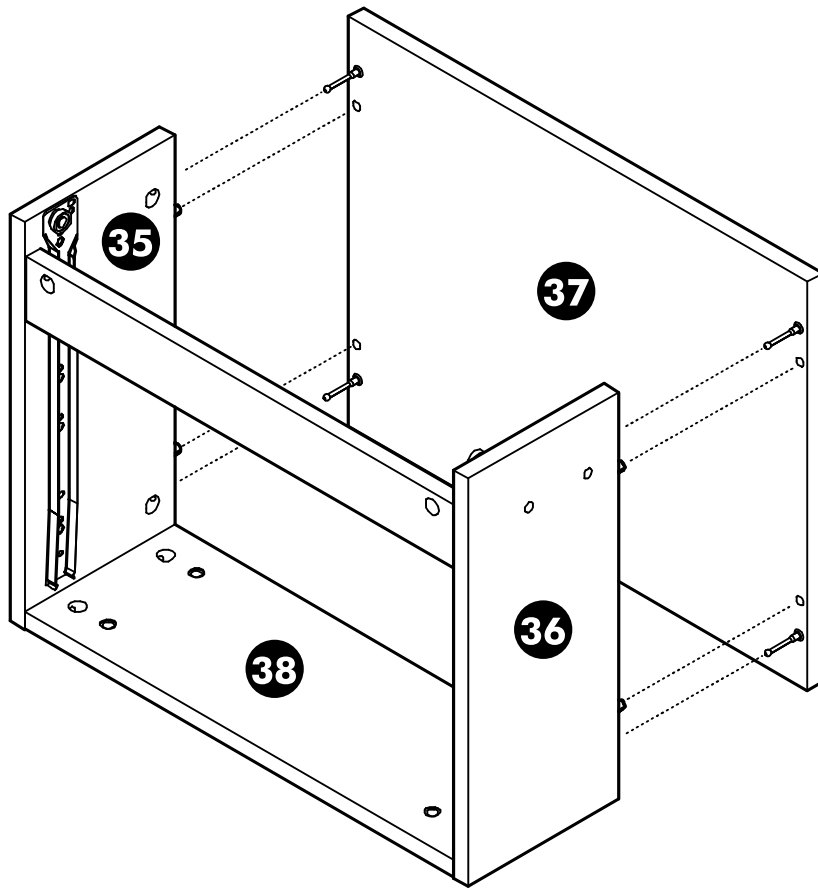
27.



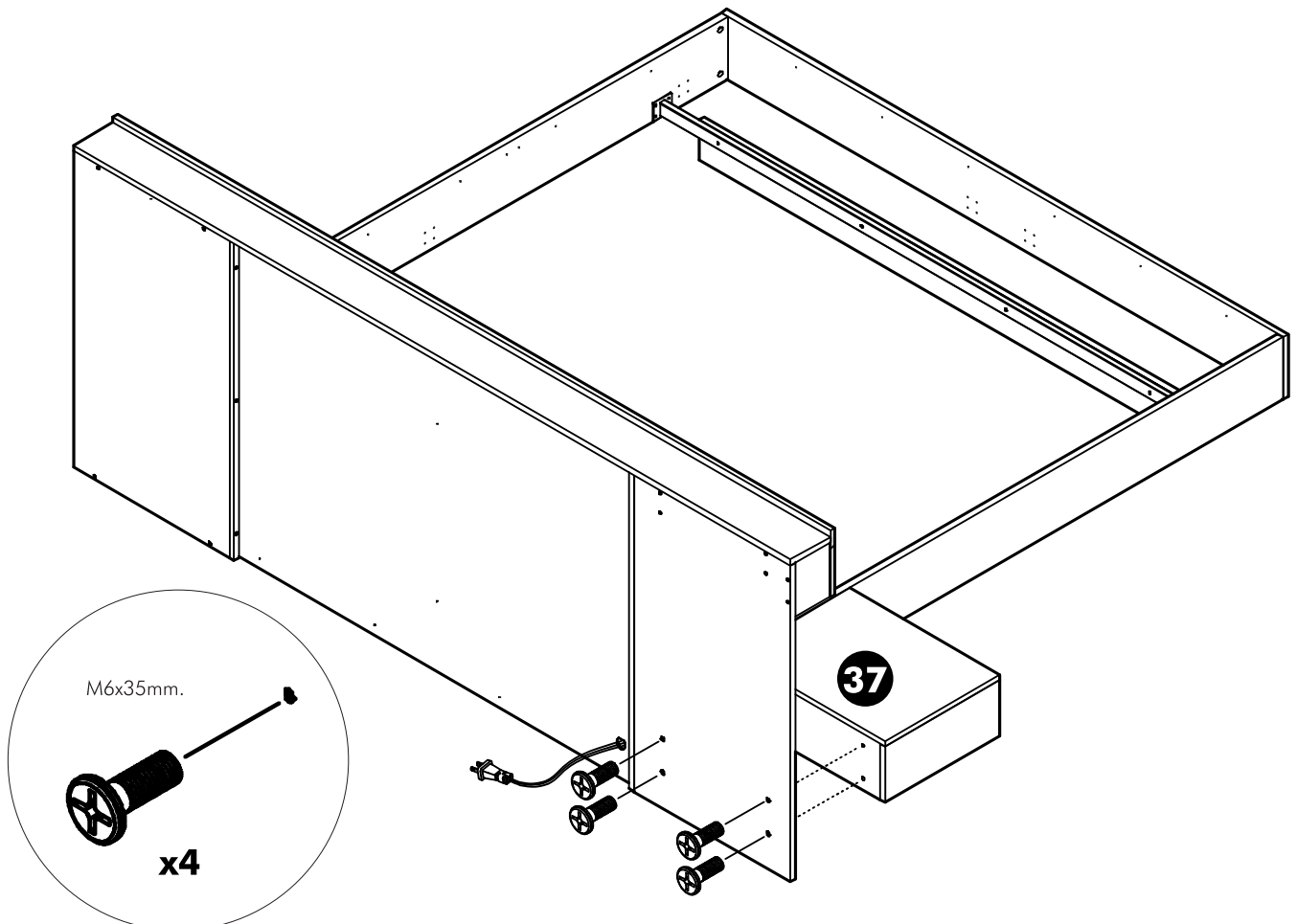
28.



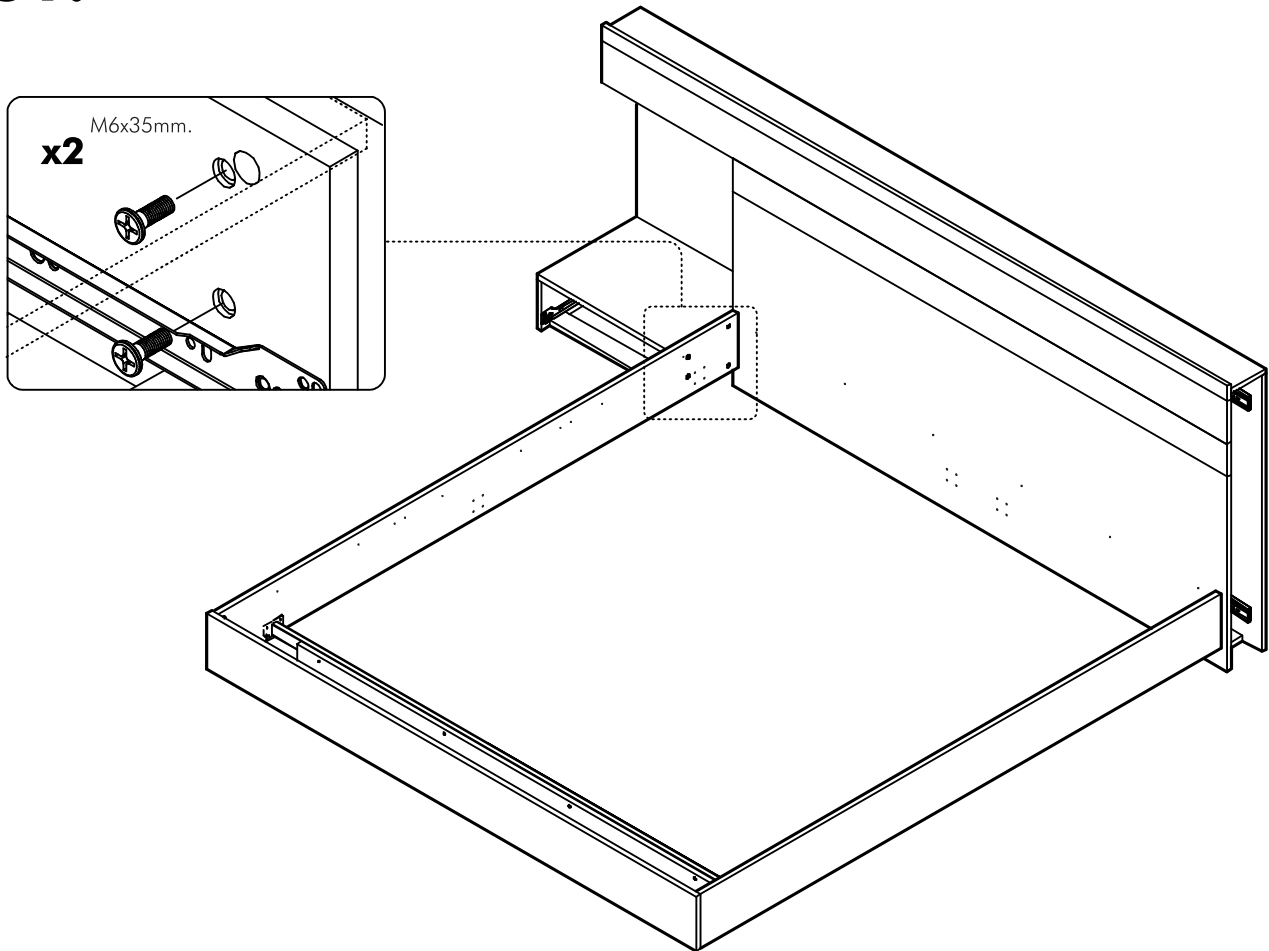
29.



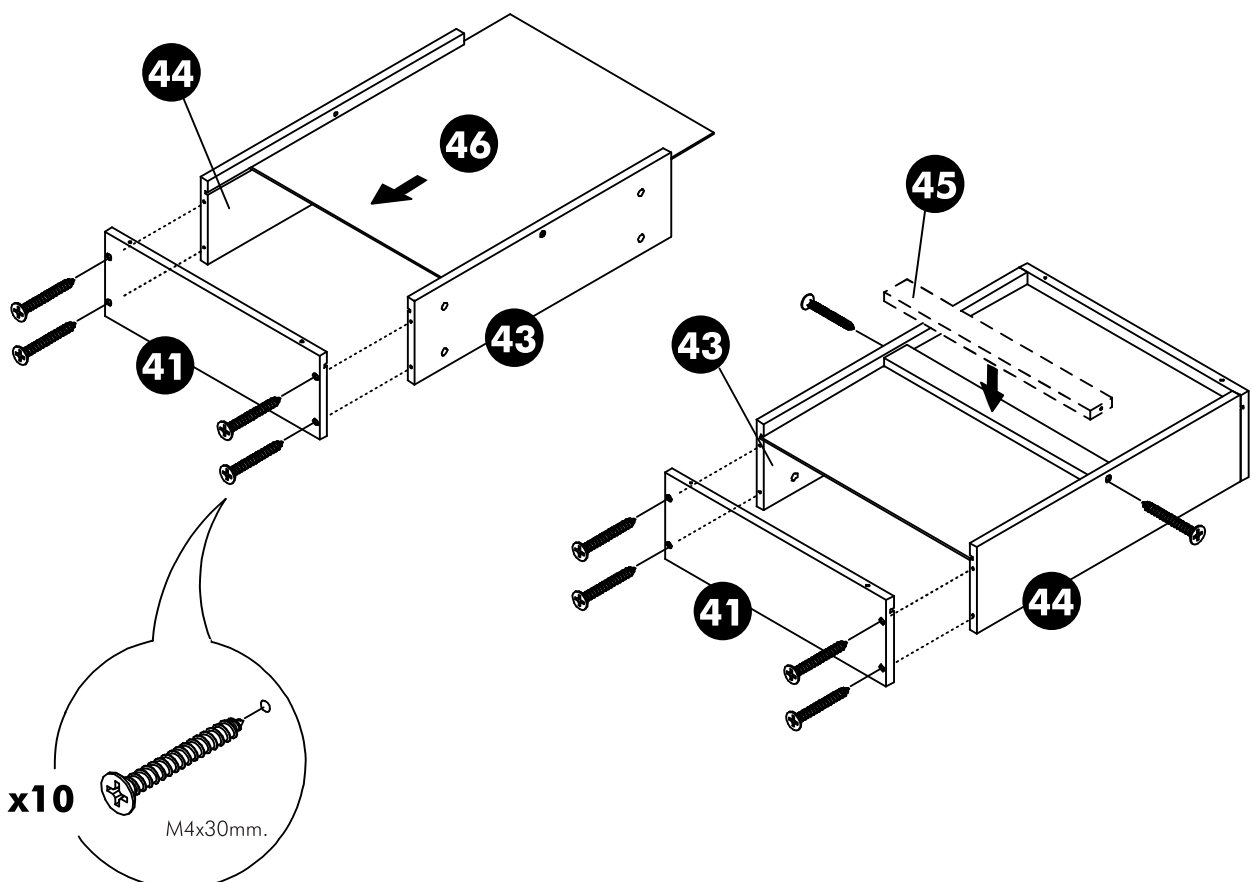
30.



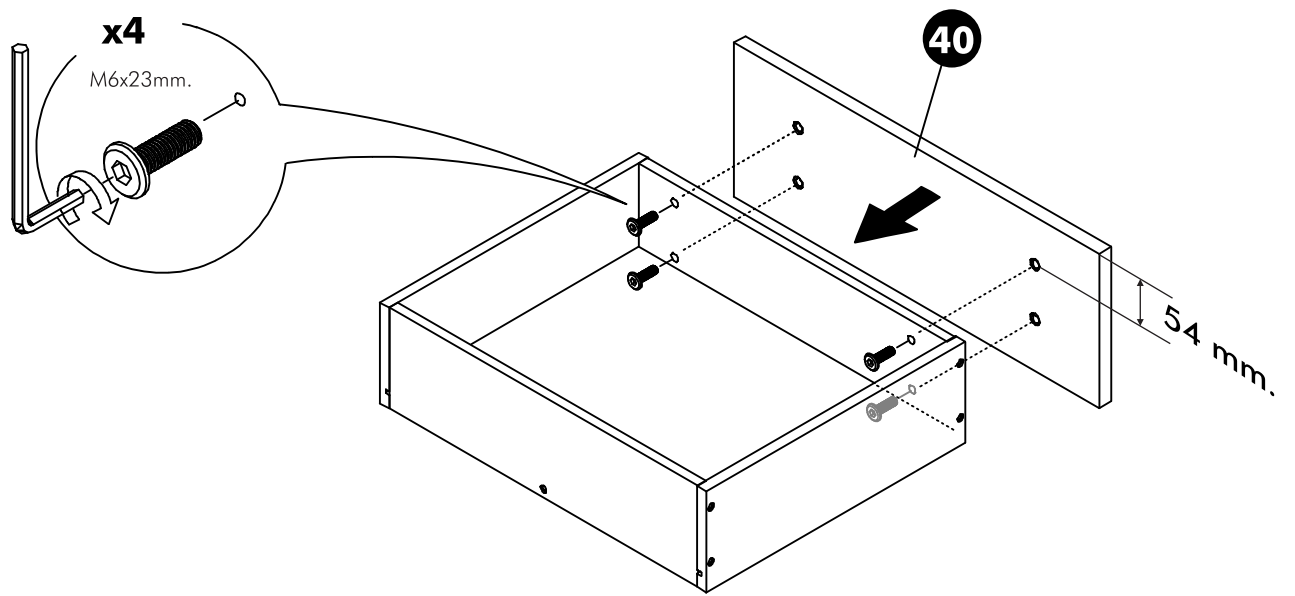
31.



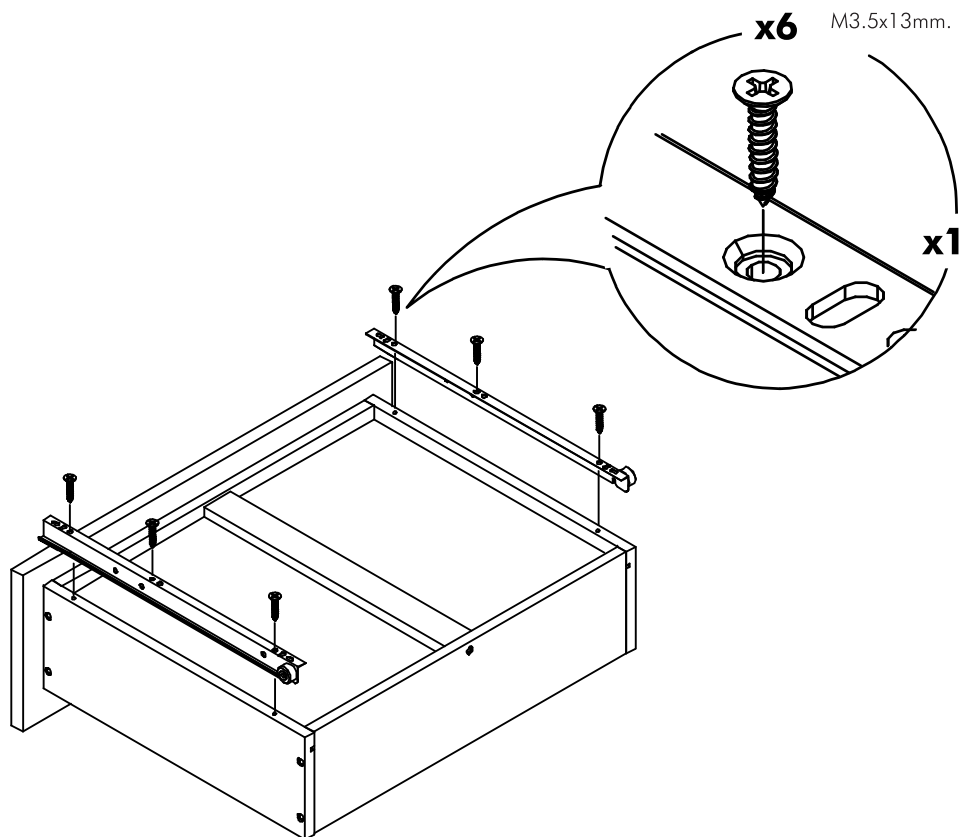
32.



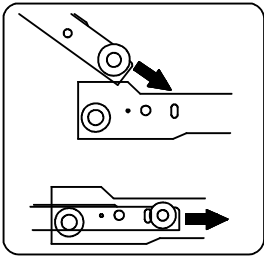
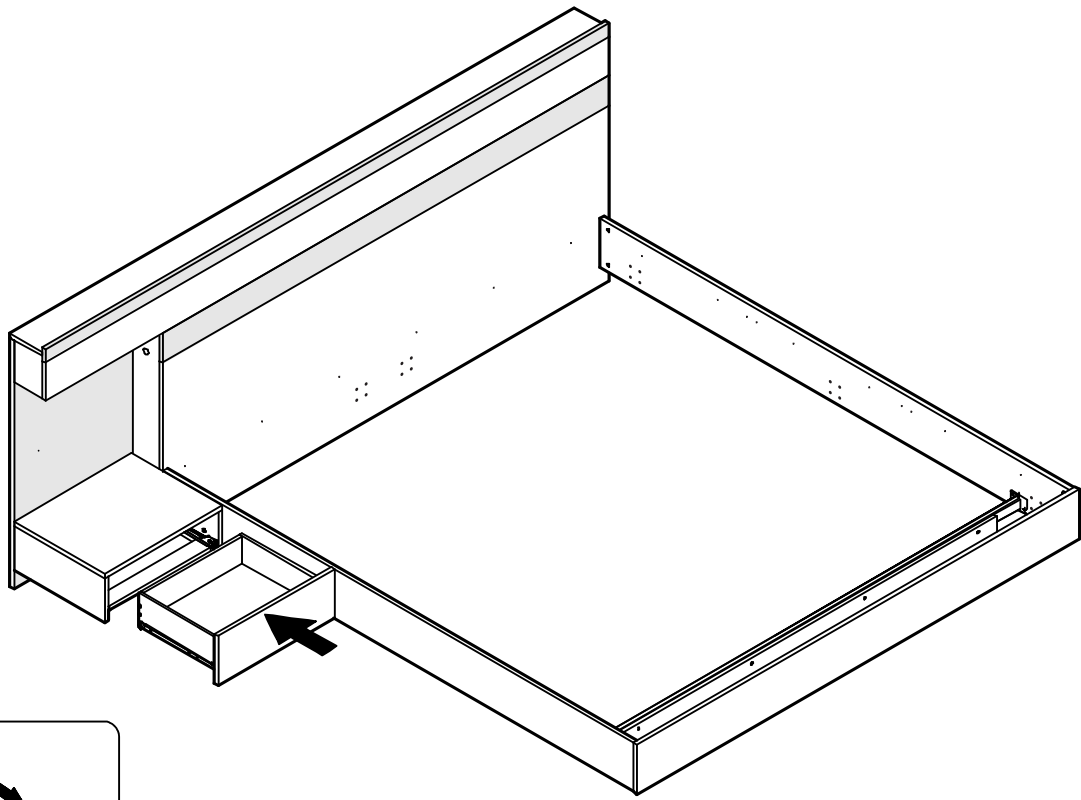
33.



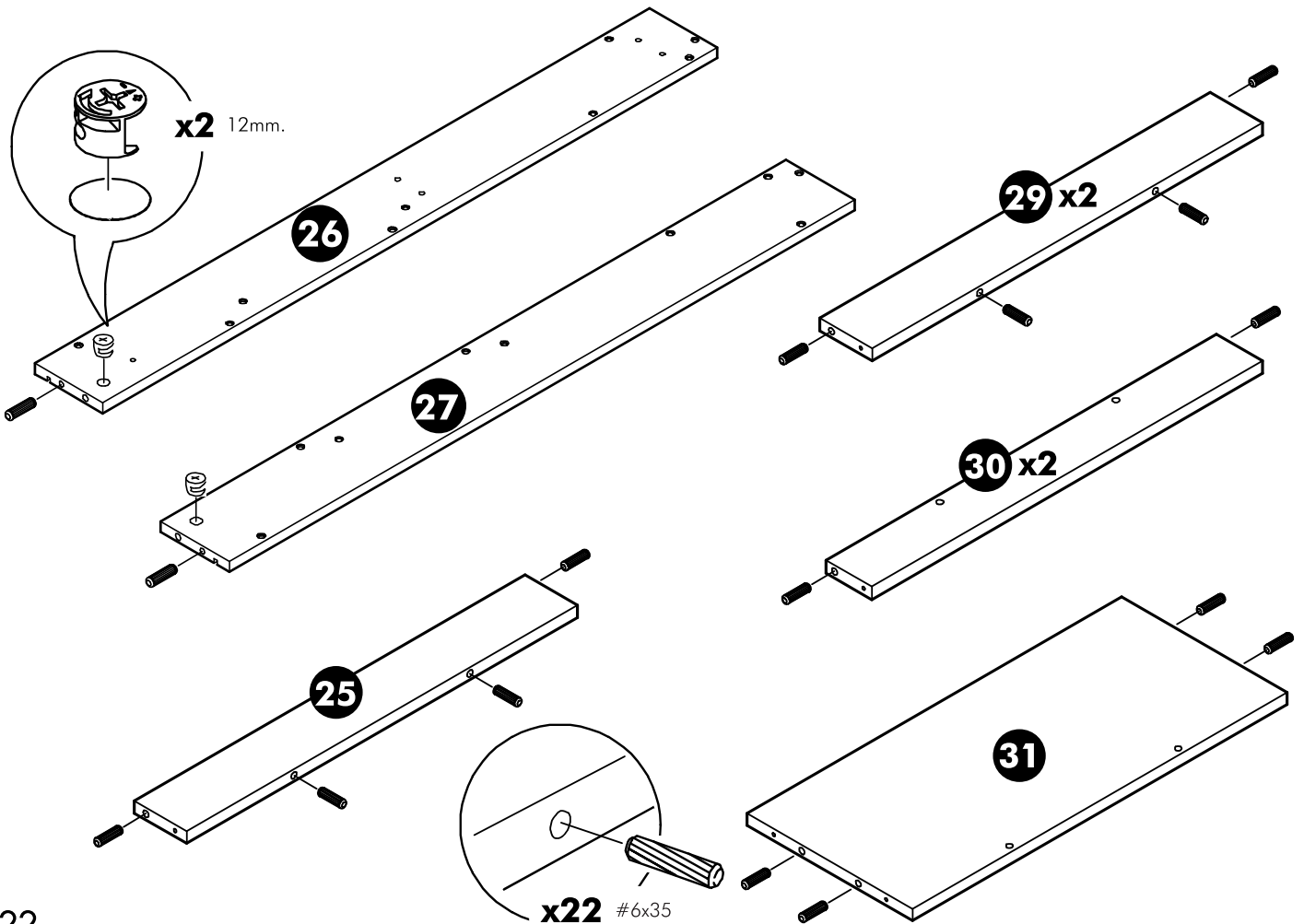
34.



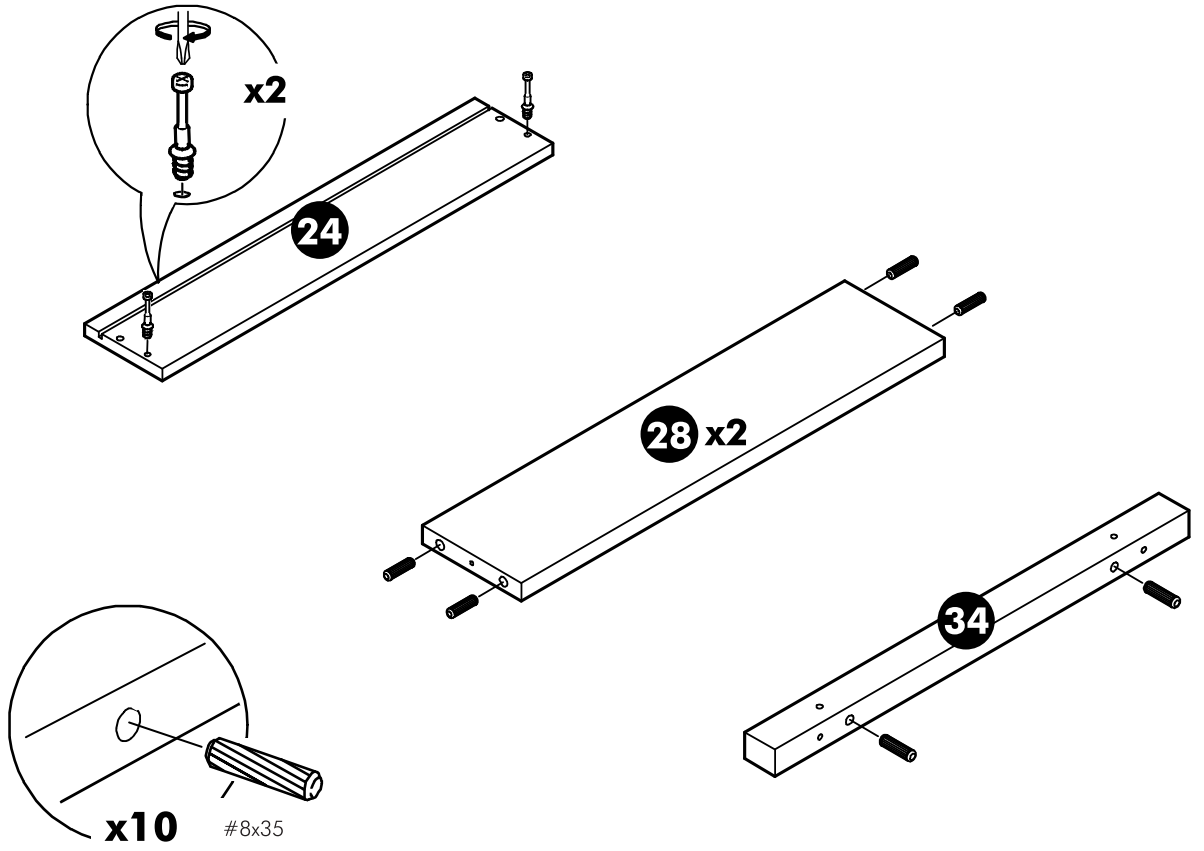
35.



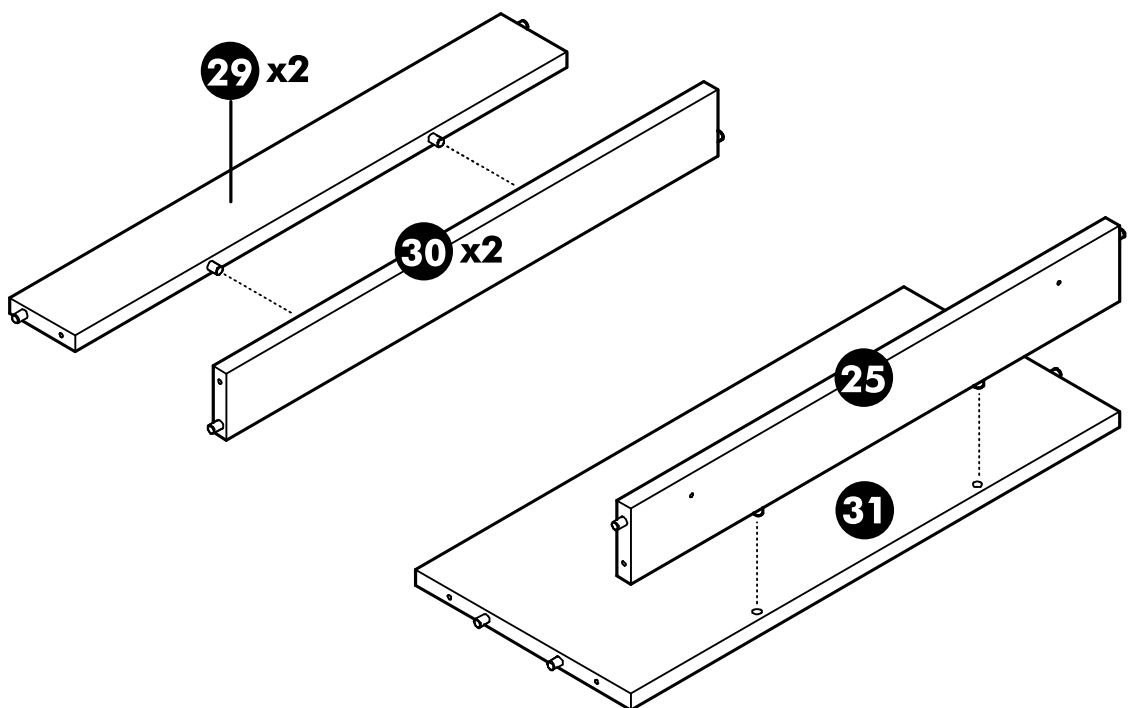
36.



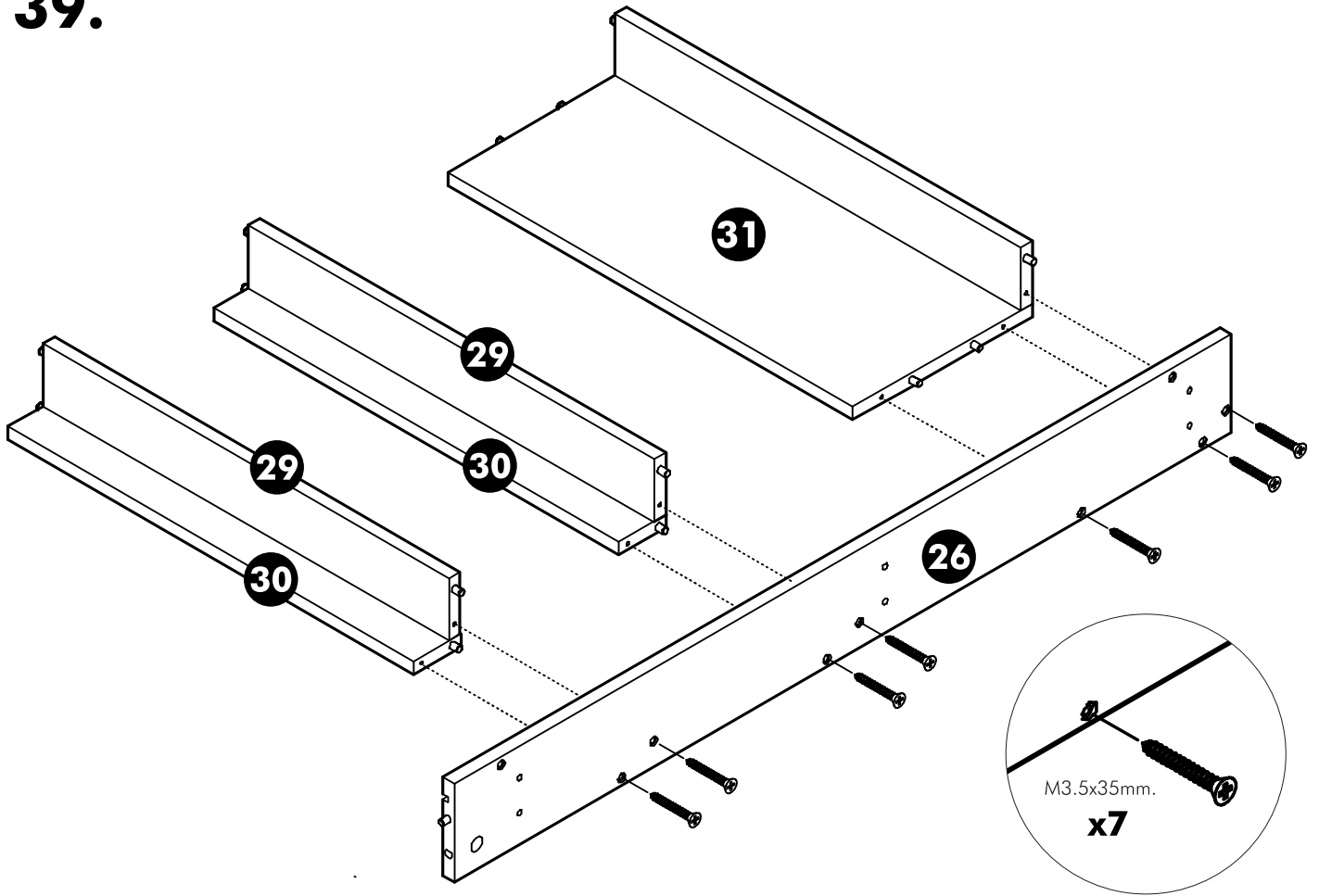
37.



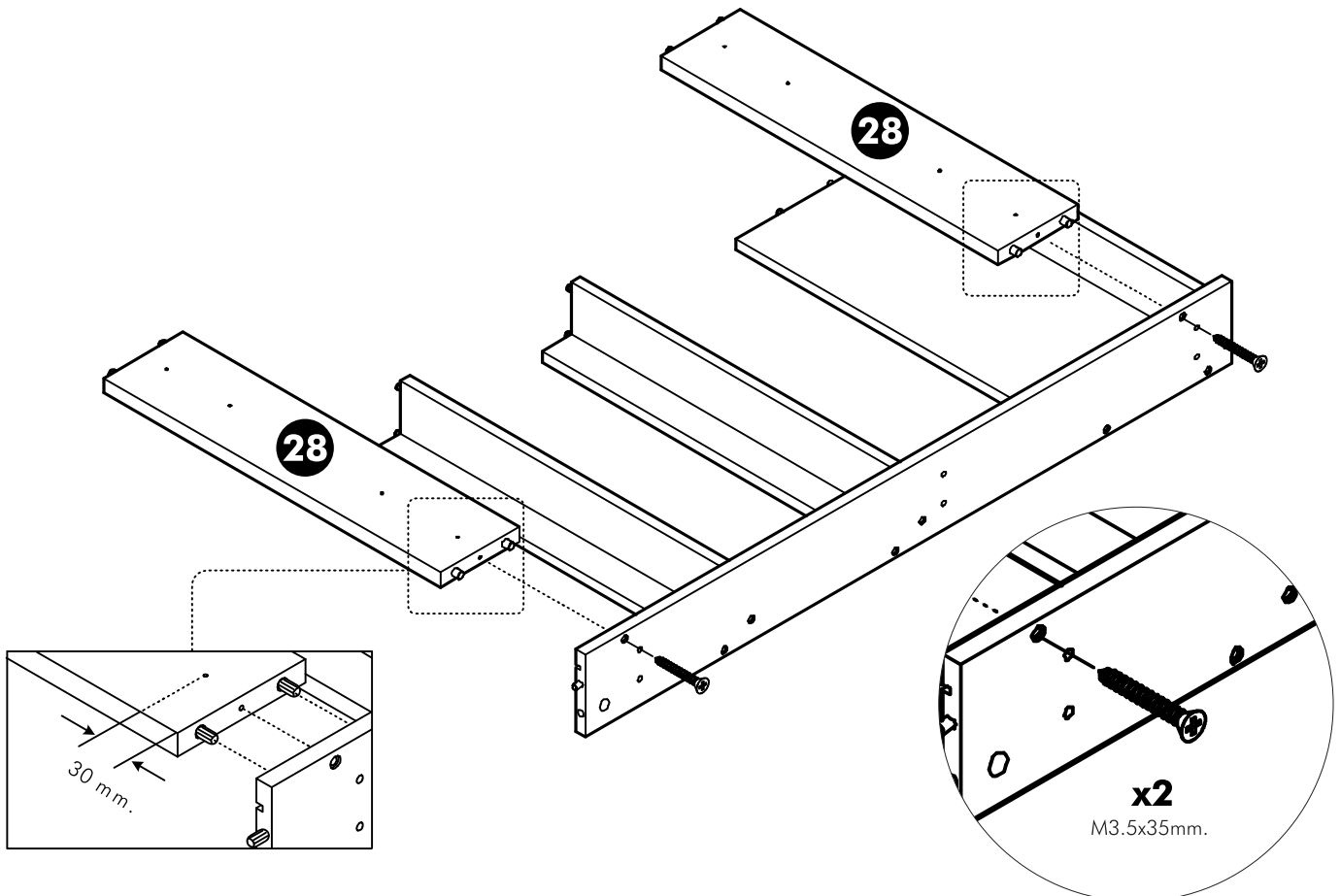
38.



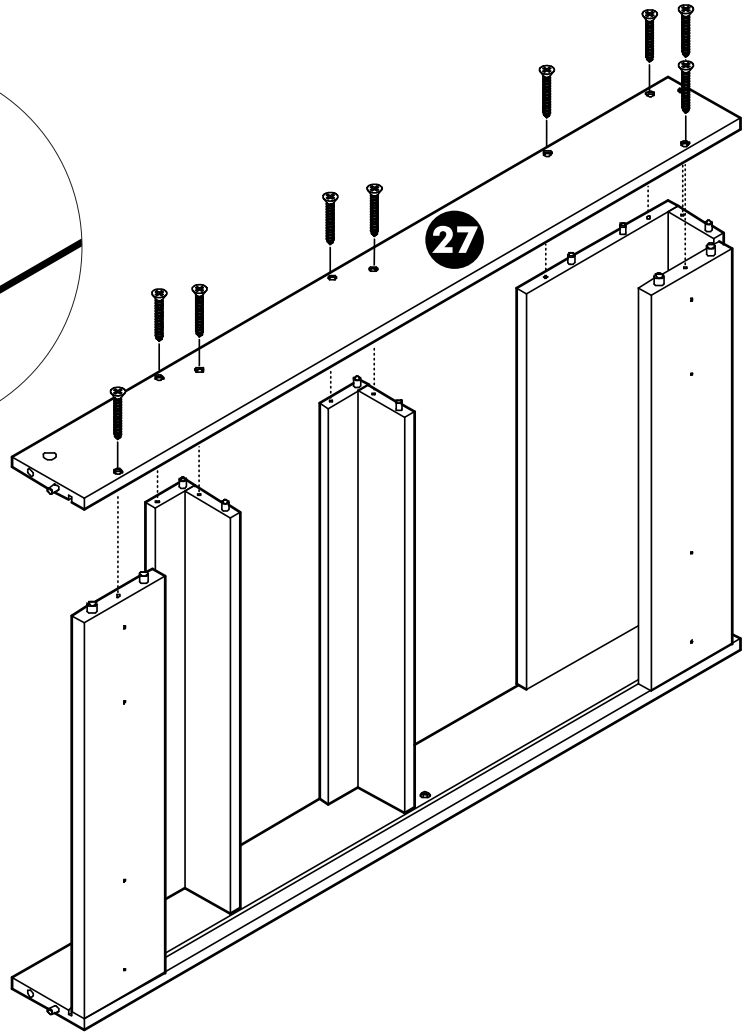
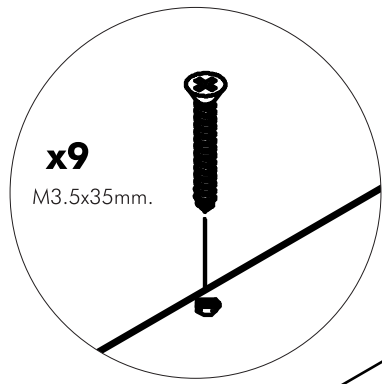
39.



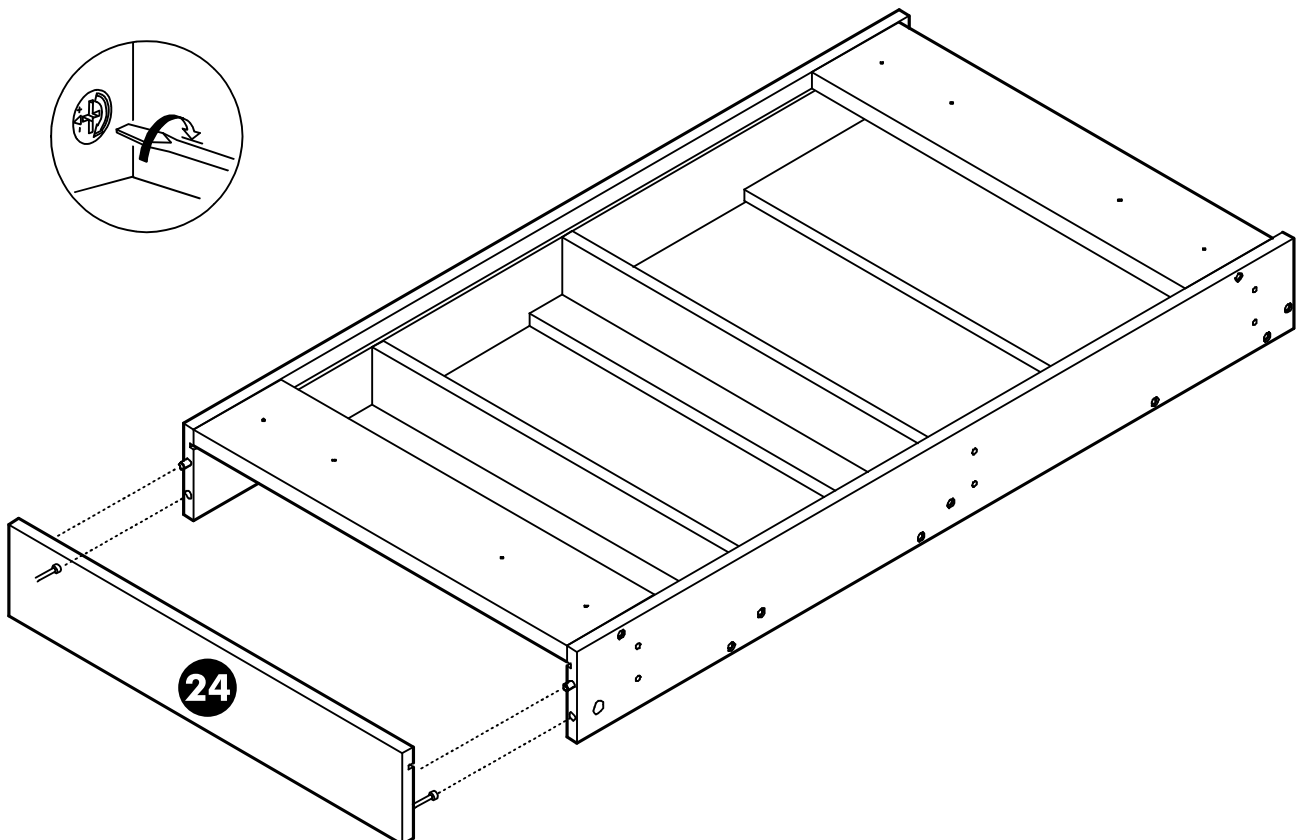
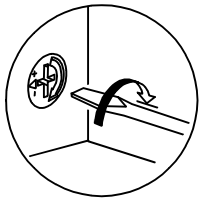
40.



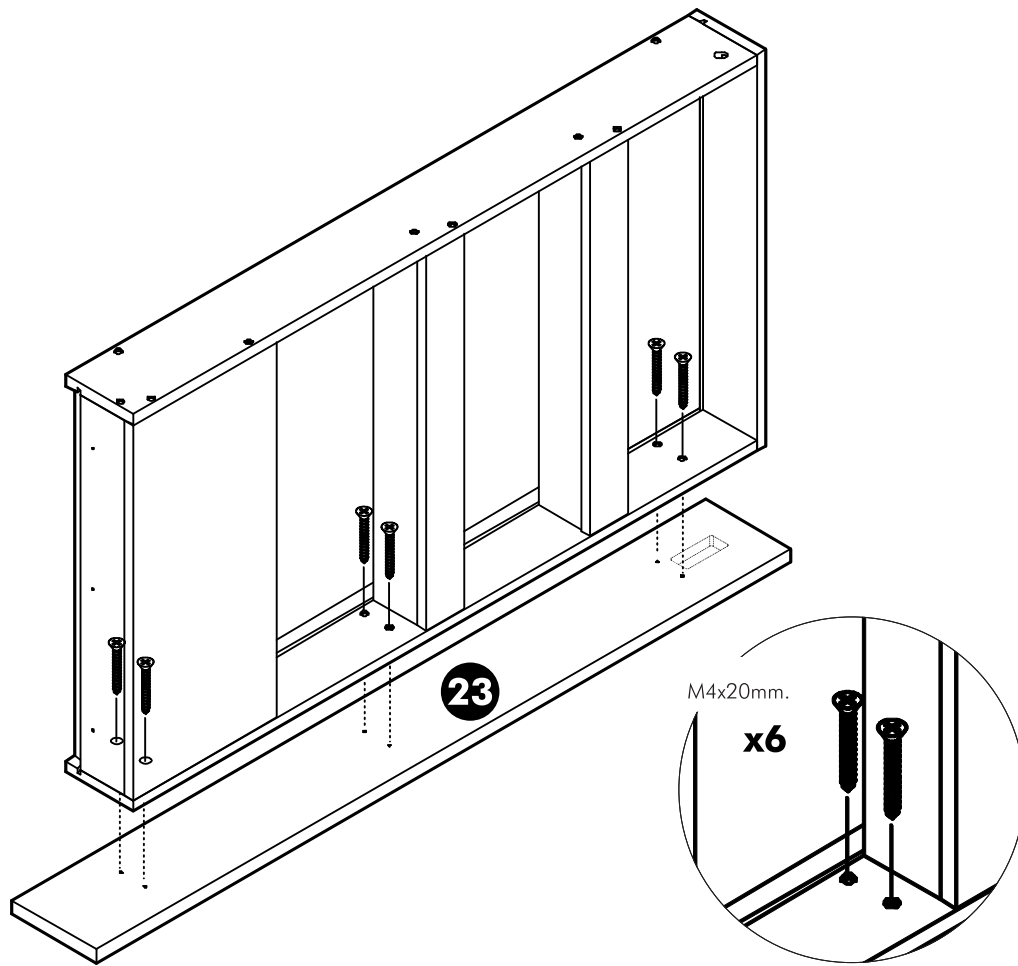
41.



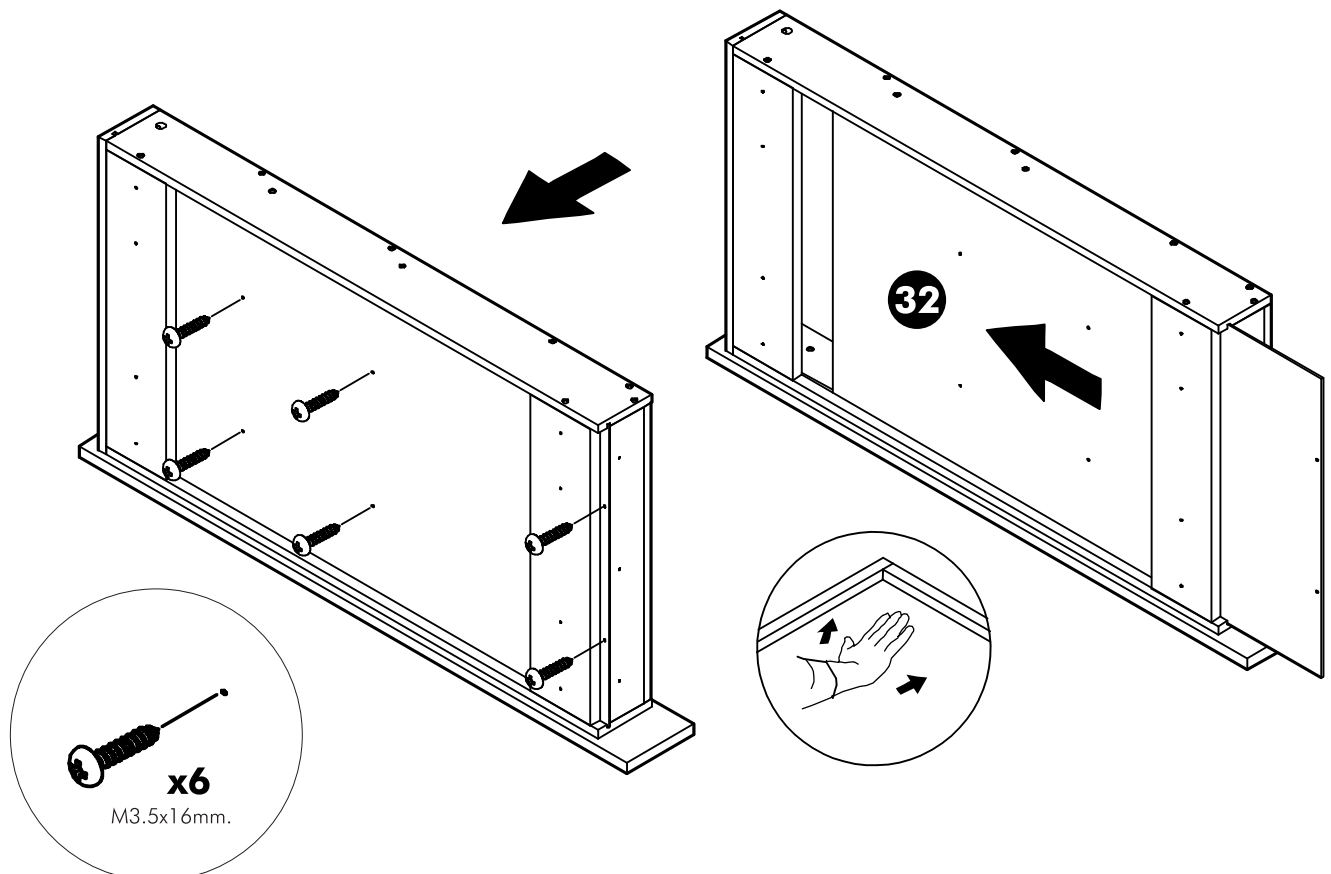
42.



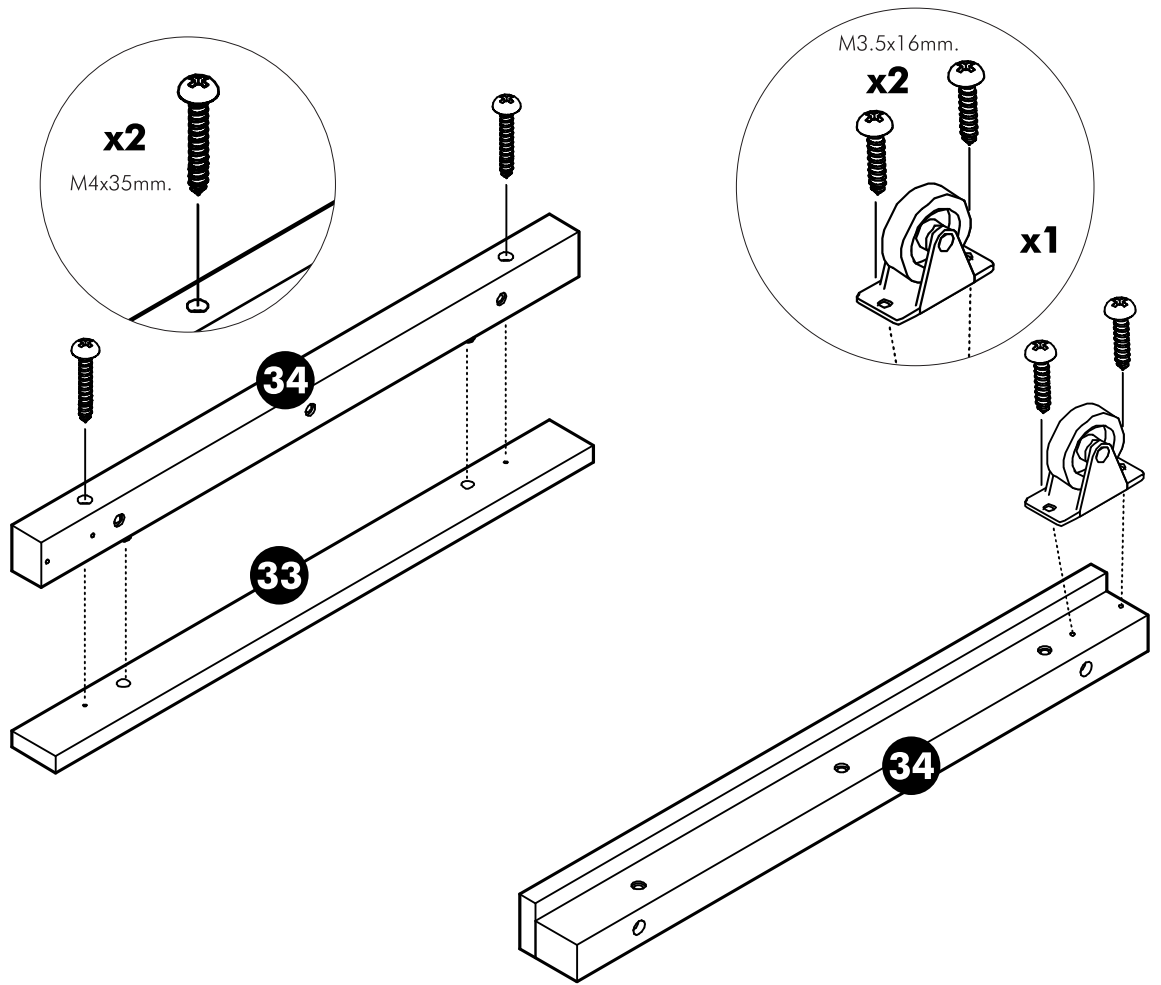
43.



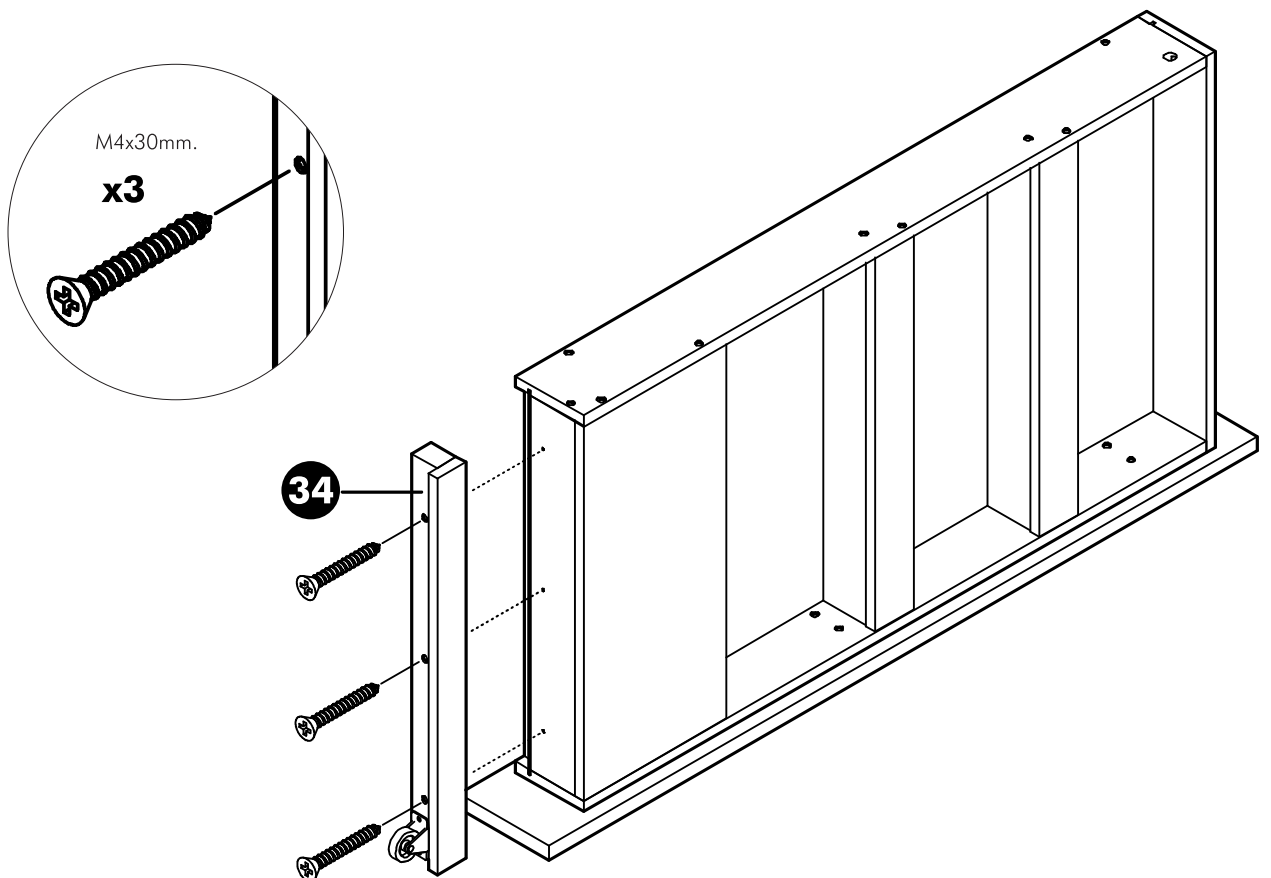
44.



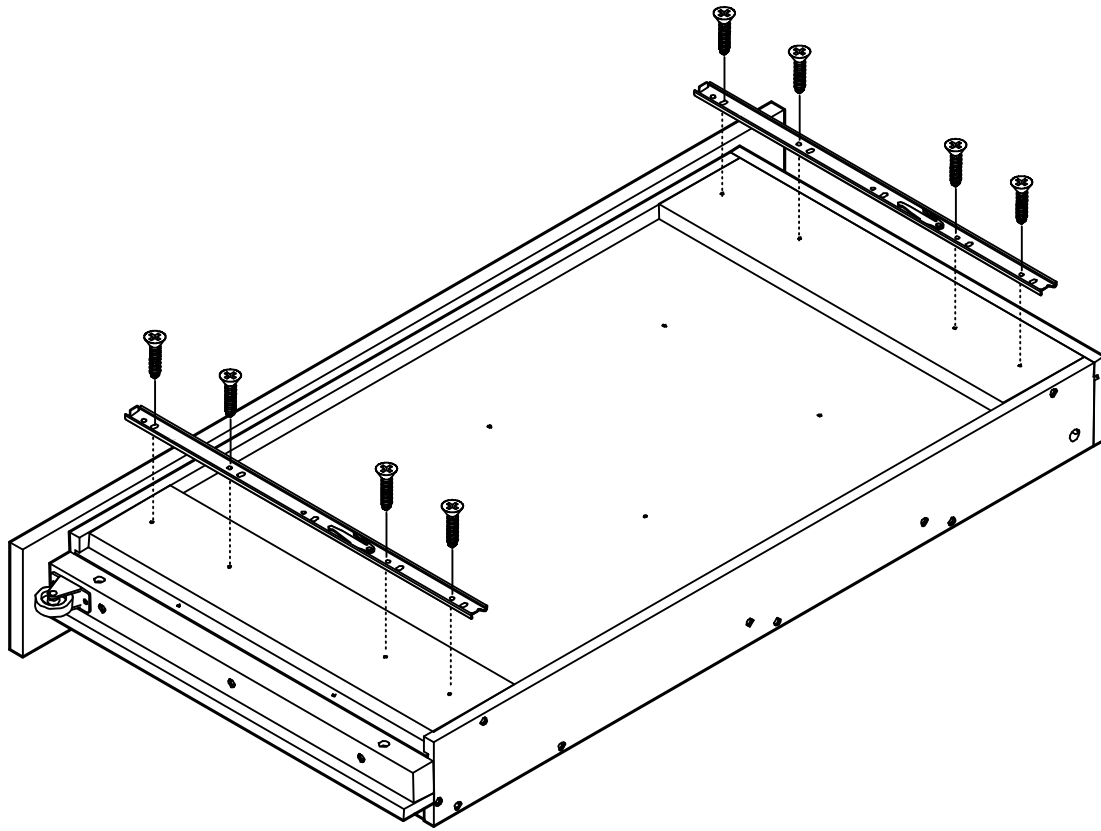
45.



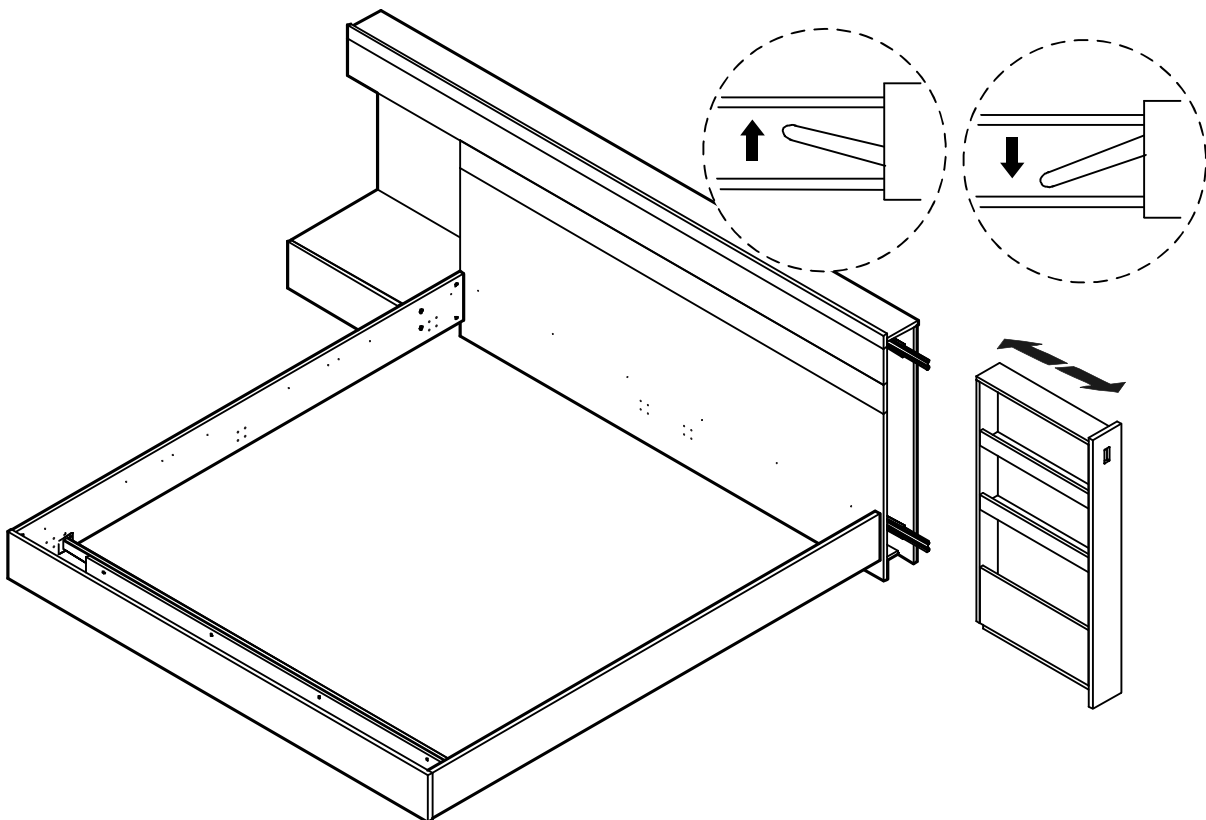
46.



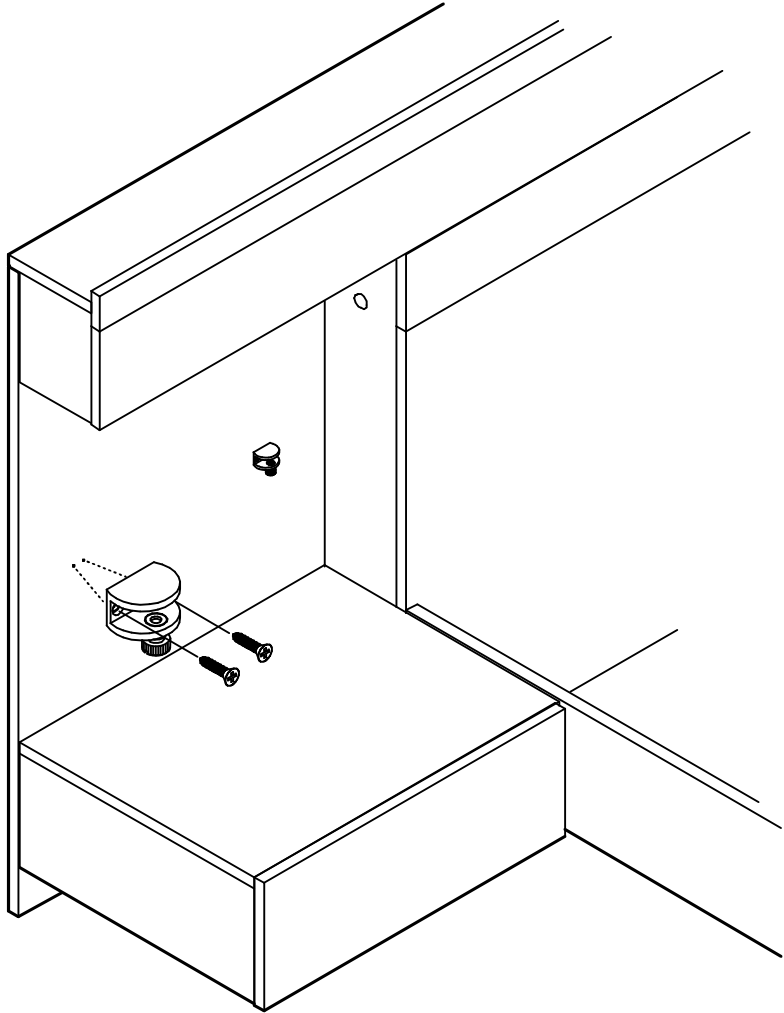
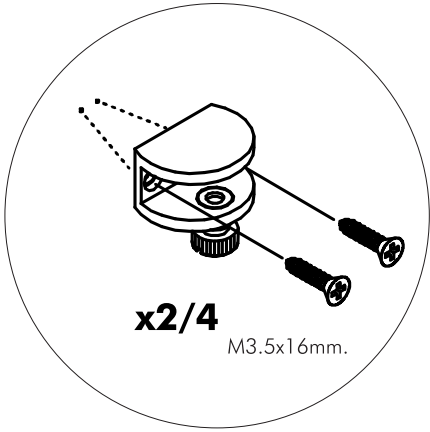
47.



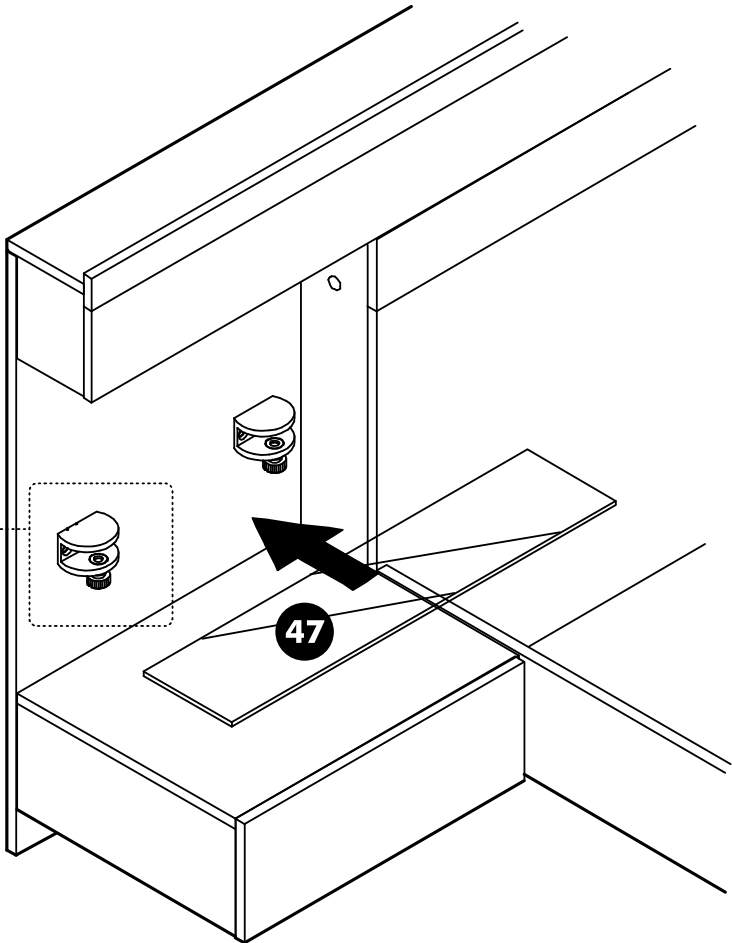
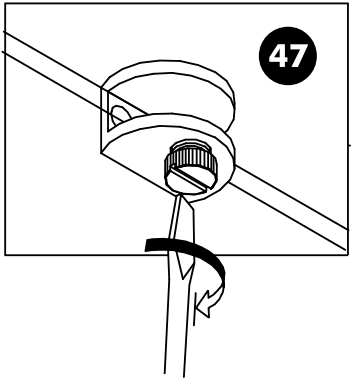
48.



49.



50.



51.

