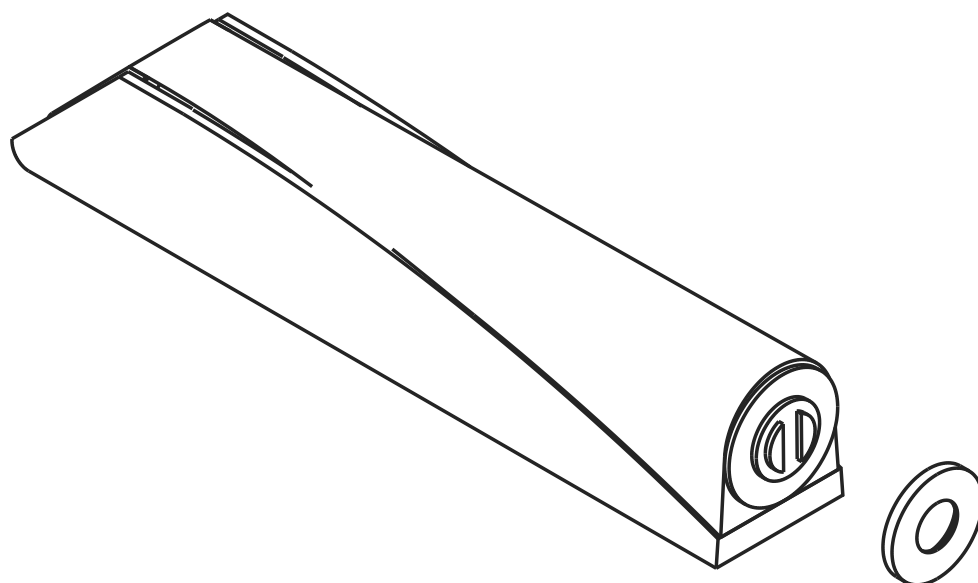
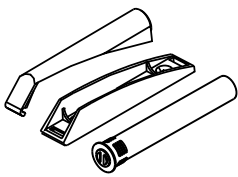


# GANG 4

**Soft closing mechanism**



**HARDWARE**



**x 1**



**x 1**



#5x5/8"

**x 2**



#5x1/2"

**x 1**

