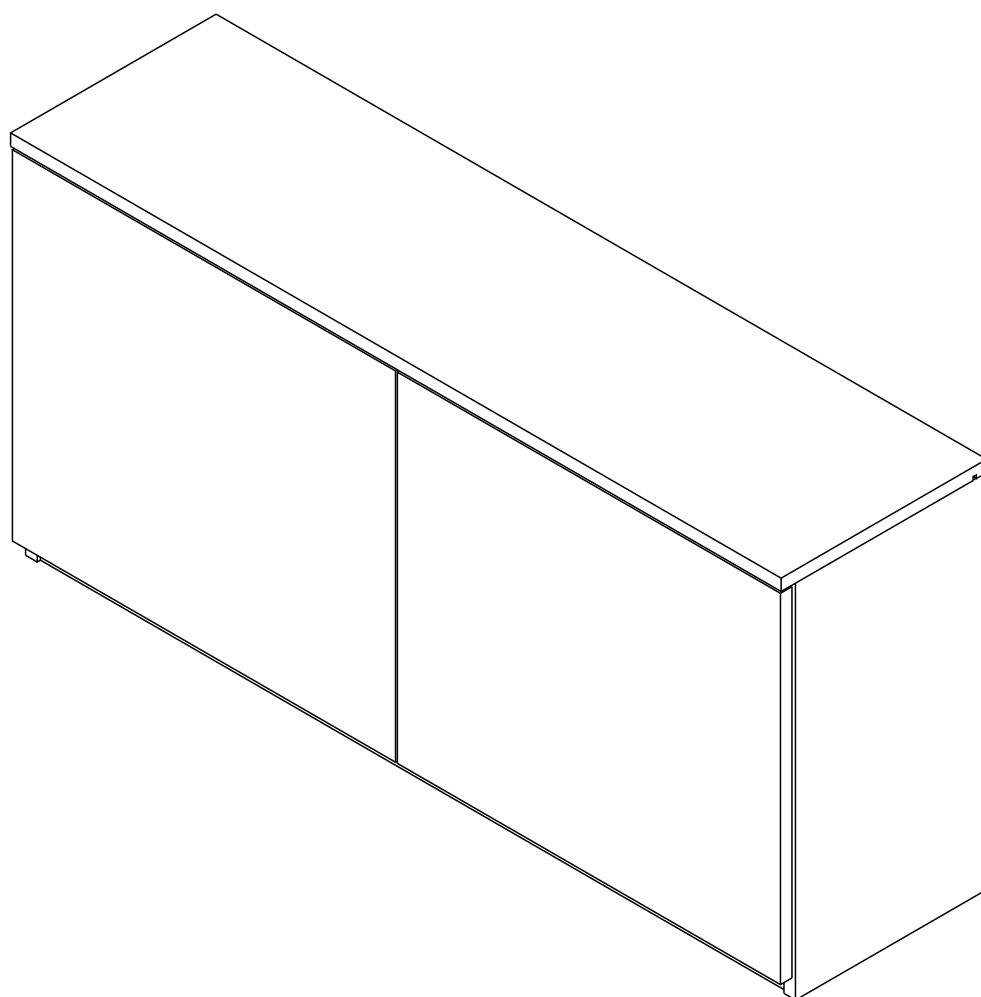
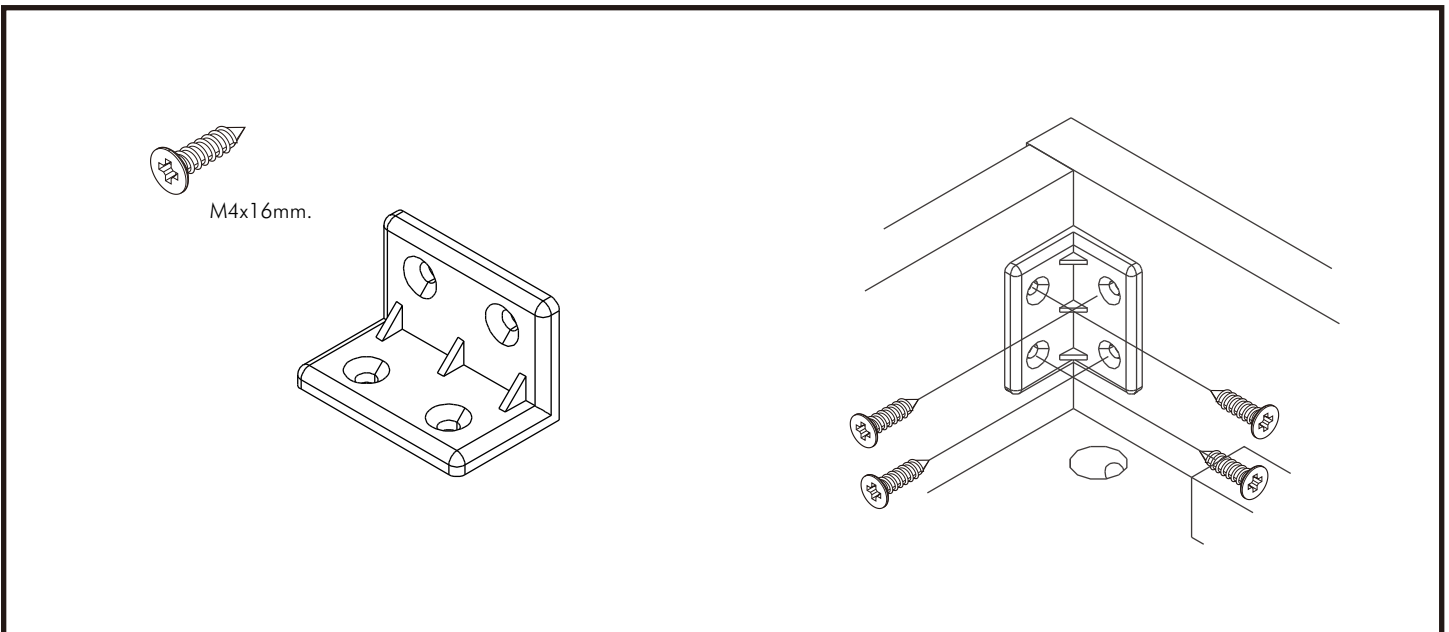
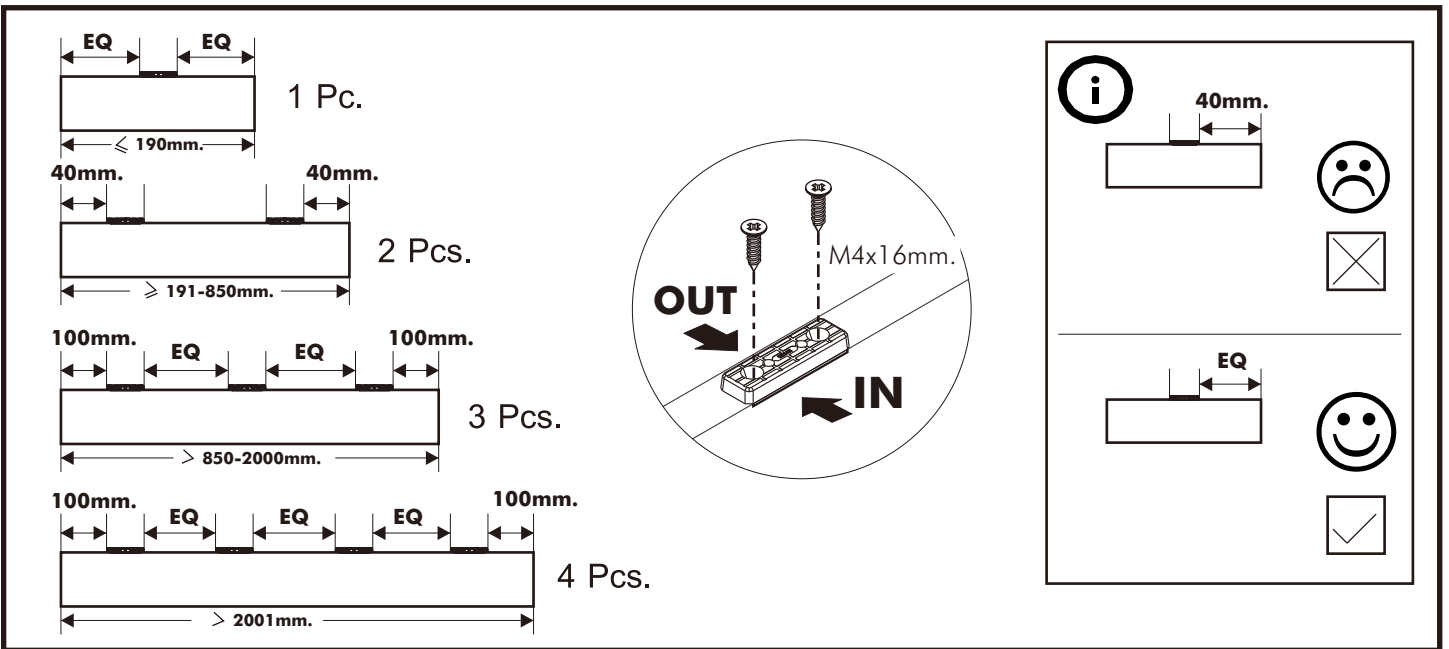
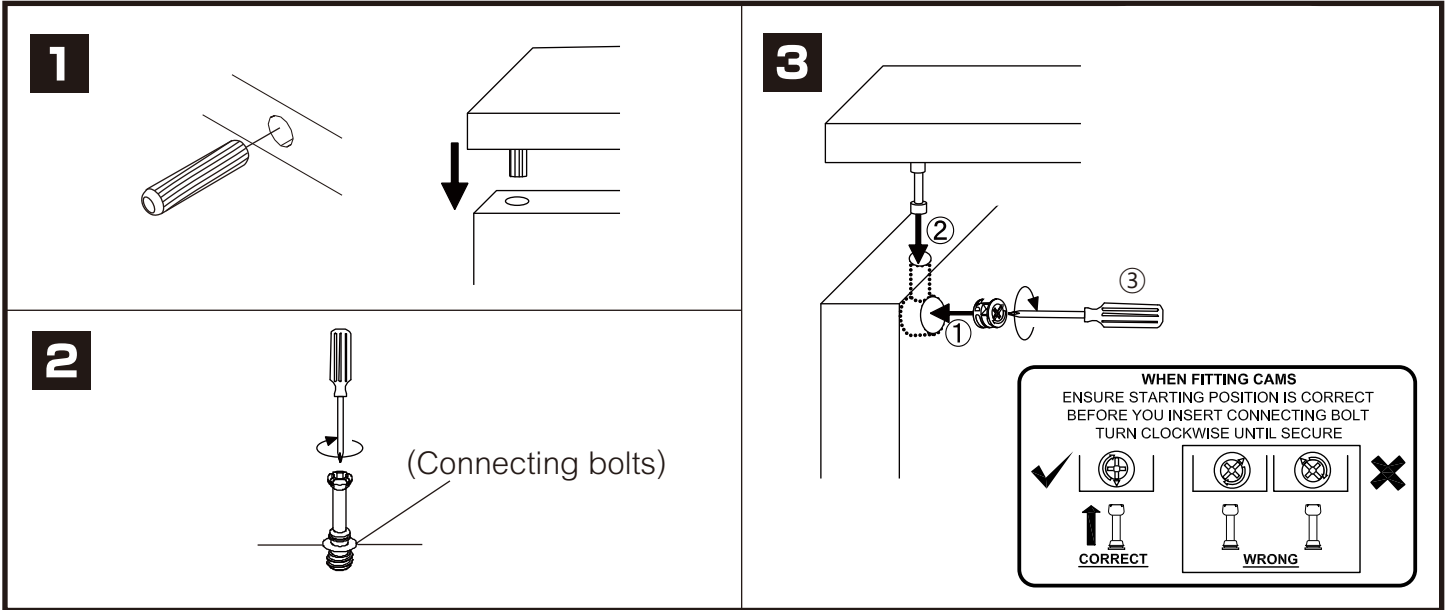


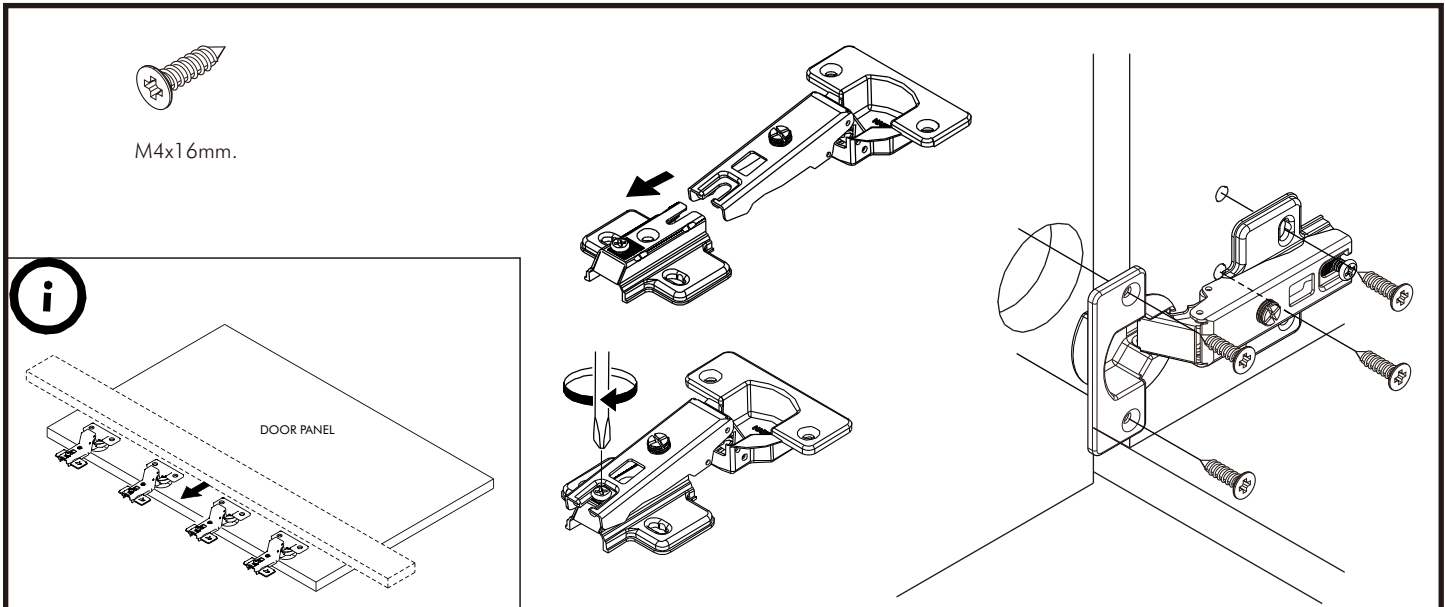
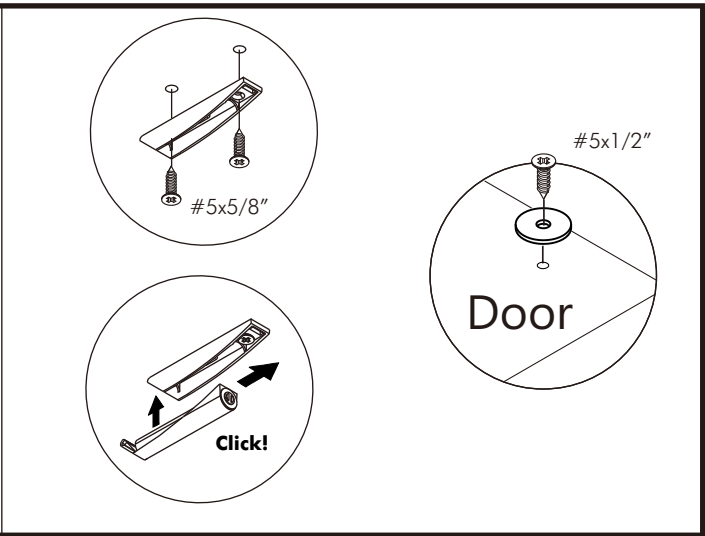
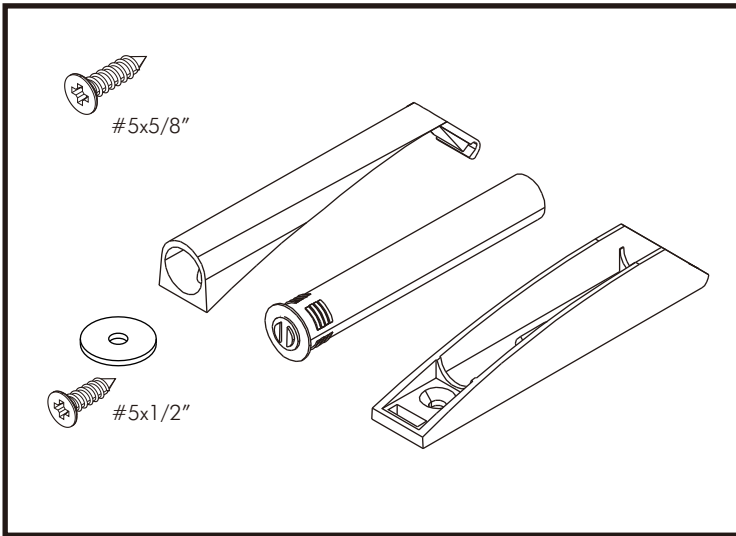
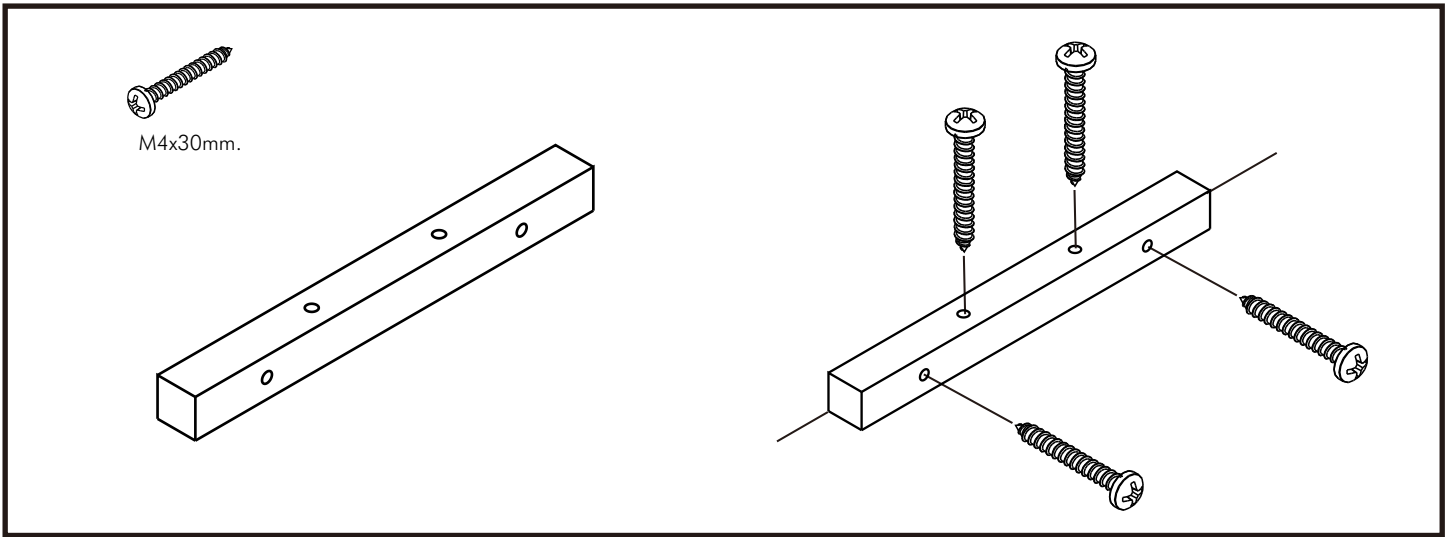
# SUPREME

**Tv cabinet 120 cm.**



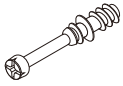
# CONNECT SYSTEM





# HARDWARE

## -BODY SET



**x 8**



#19mm.

**x 8**



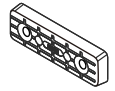
#8x35

**x 16**

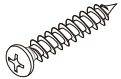


F+M4x16mm.

**x 78**



**x 11**

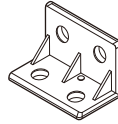


P+M4x30mm.

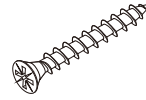
**x 16**



**x 16**

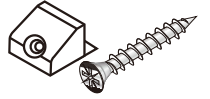


**x 7**



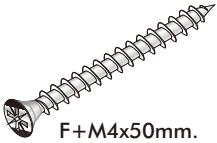
F+M4x30mm.

**x 14**



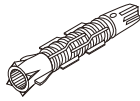
F+M3.5x20mm.

**x 4/4**



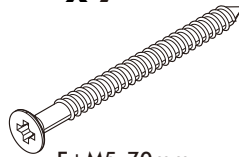
F+M4x50mm.

**x 4**



#UP-745

**x 4**

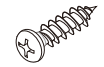


F+M5x70mm.

**x 4**

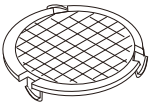


**x 4**

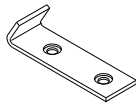


P+M4x16mm.

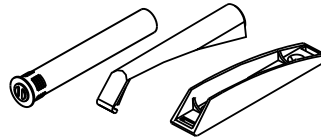
**x 4**



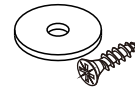
**x 2**



**x 8**



**x 2**



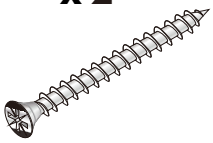
F+5x1/2"

**x 2**



F+5x5/8"

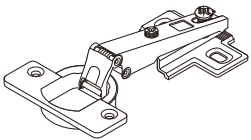
**x 4**



F+M4x40mm.

**x 1**

## -DOOR SET



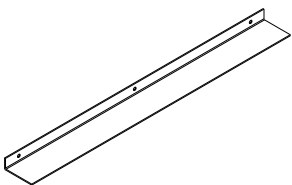
**x 4**



M4x16mm.

**x 16**

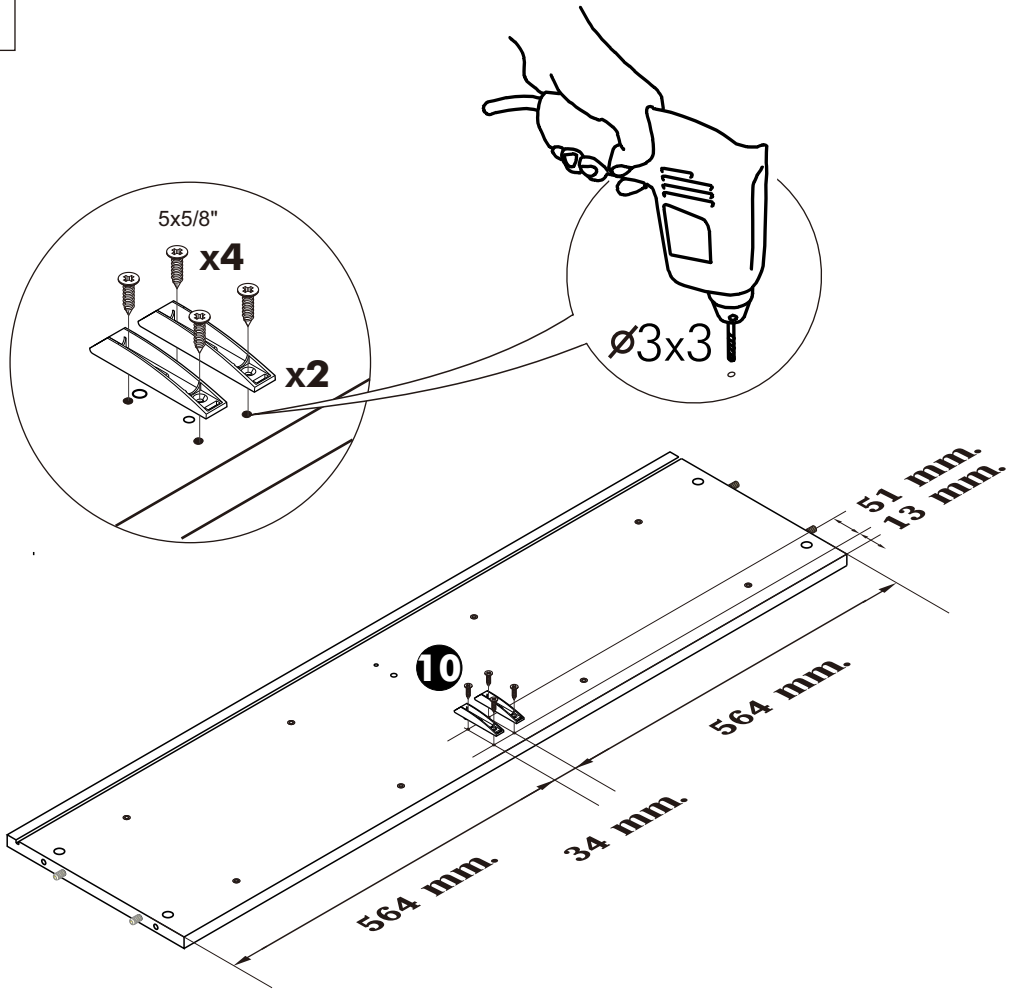
## -PART SET



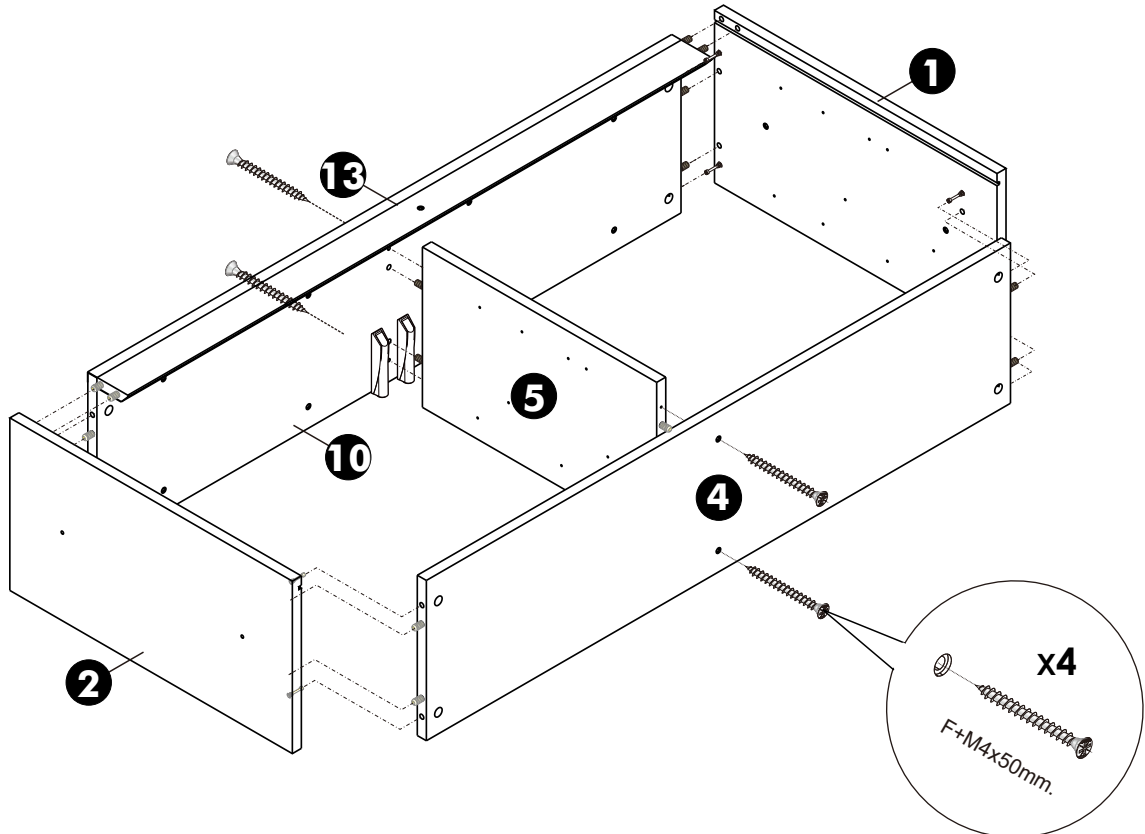
# ASSEMBLY

-BODY SET

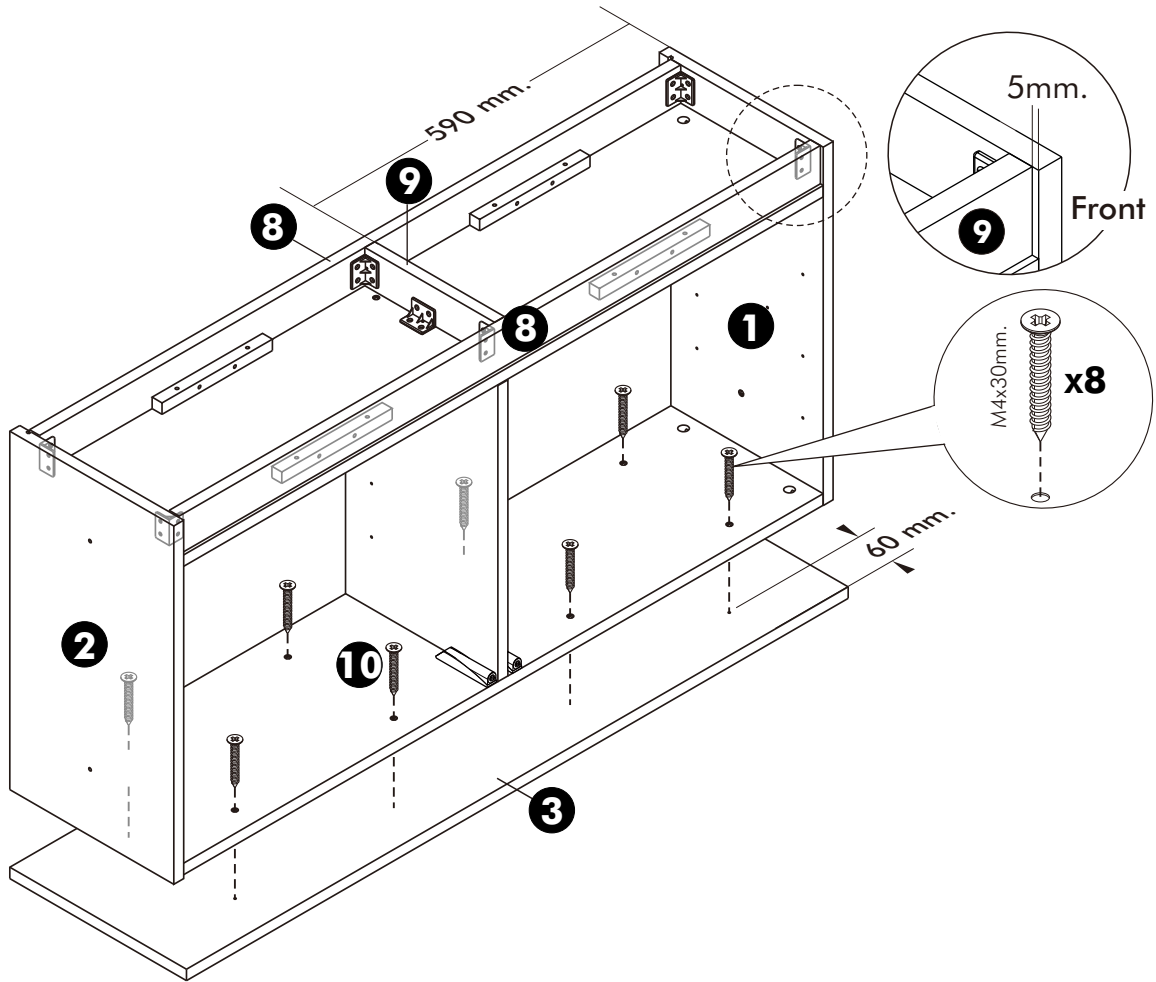
1.



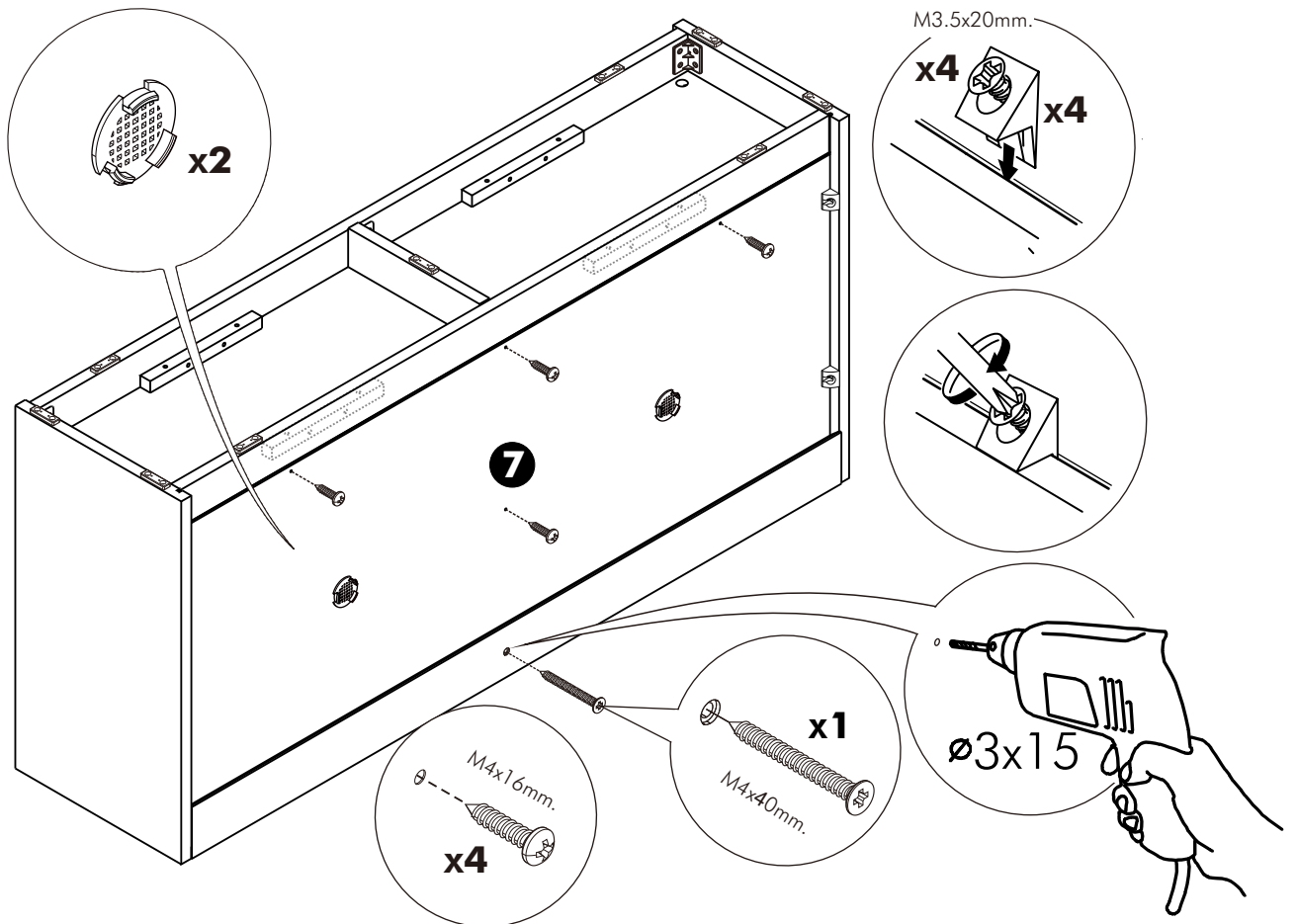
2.



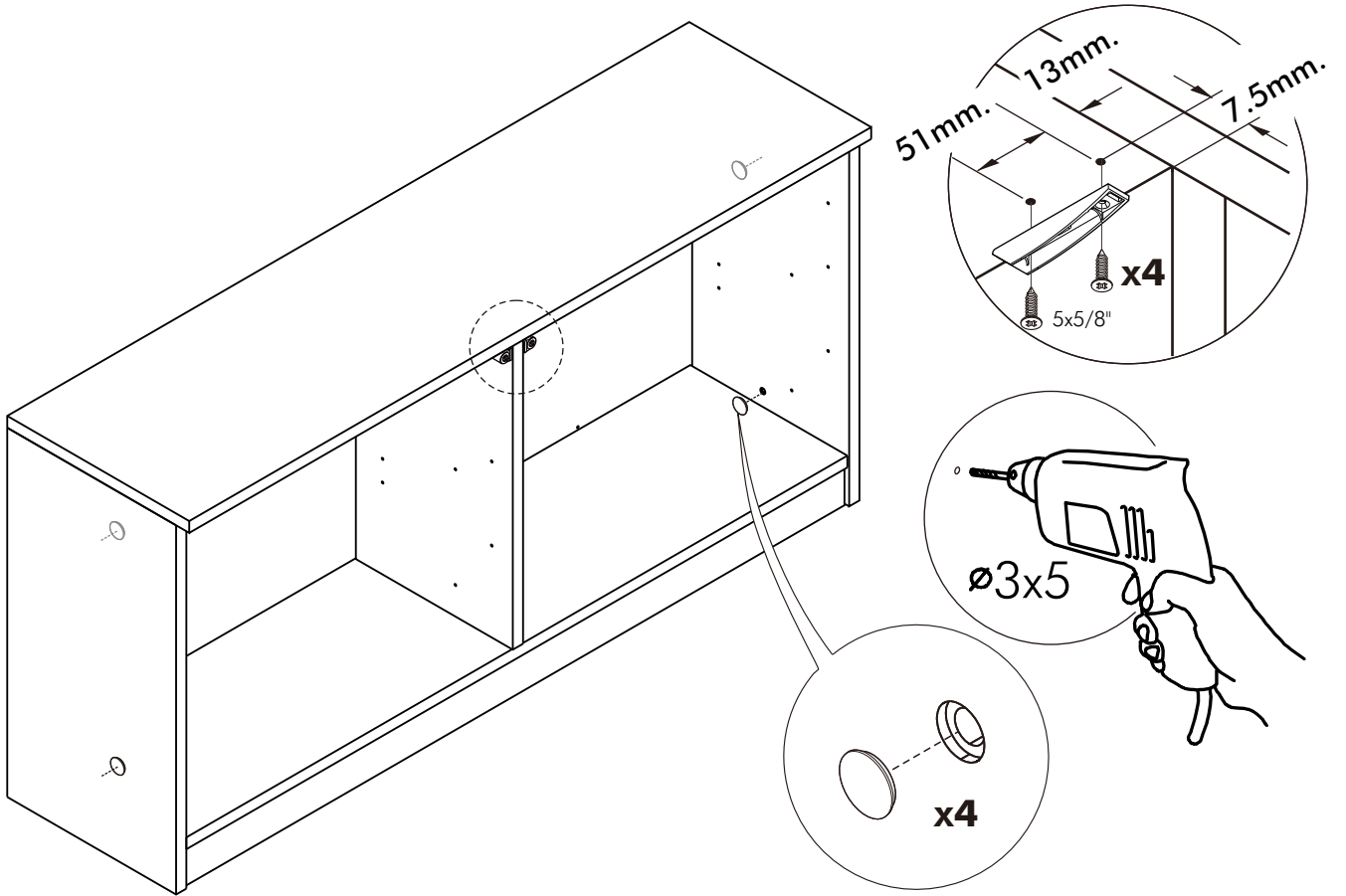
**3.**



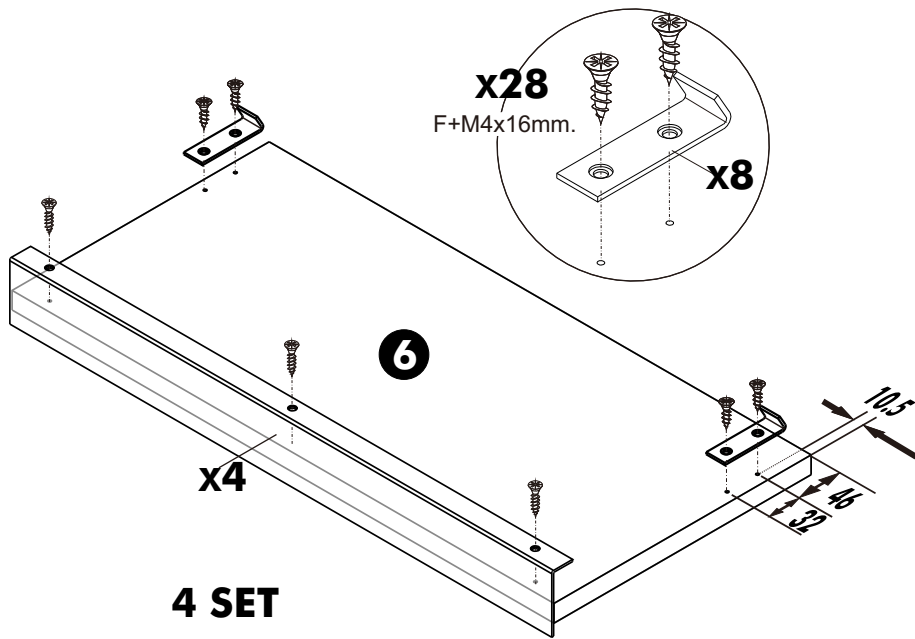
**4.**



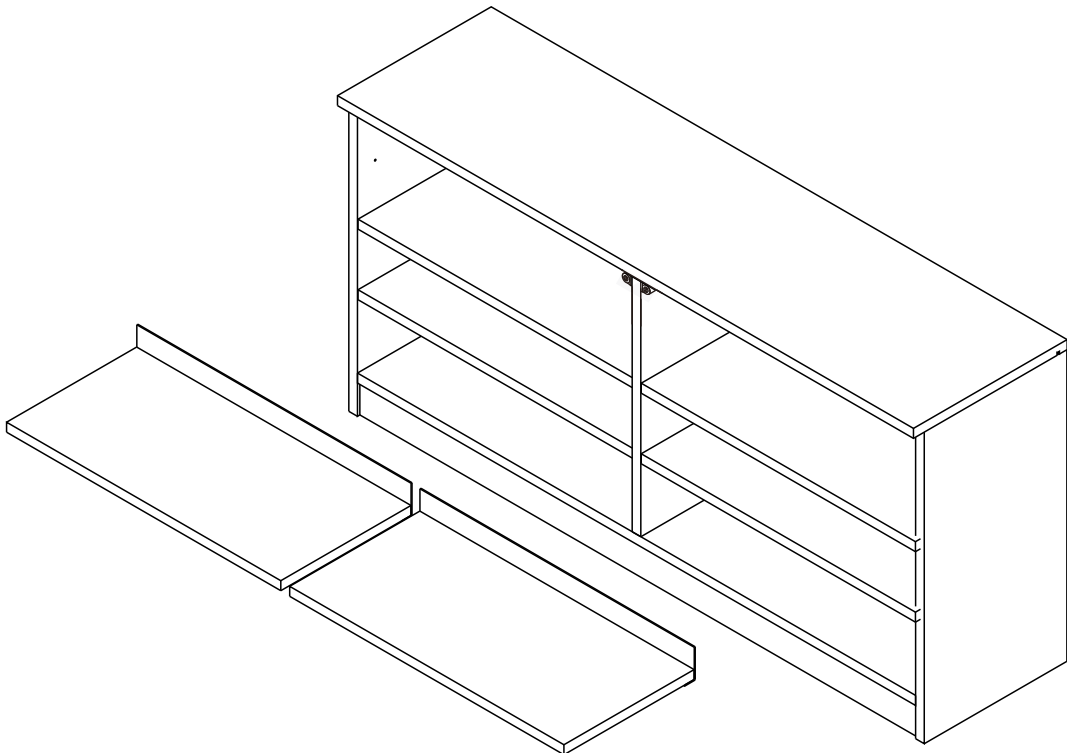
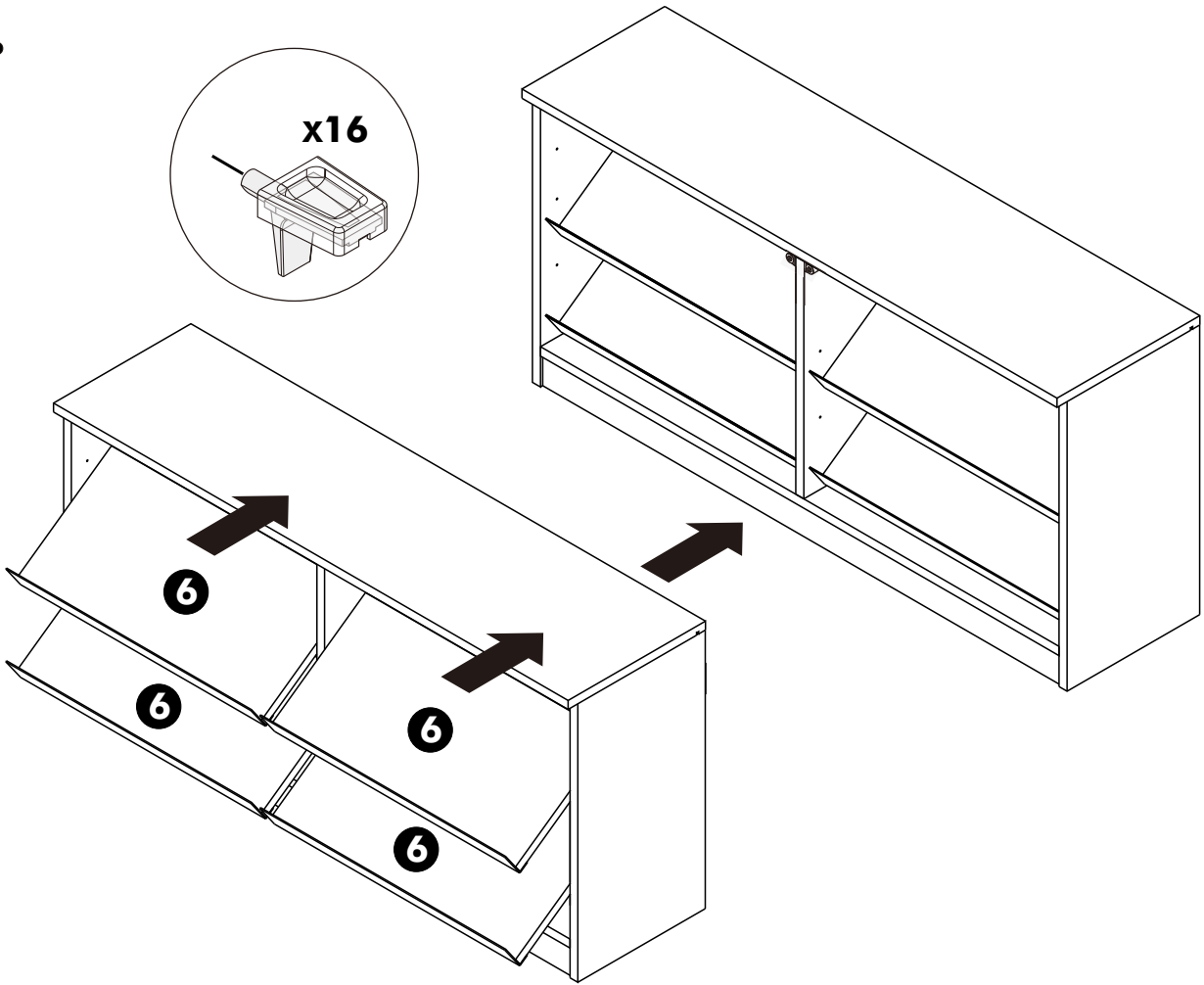
**5.**



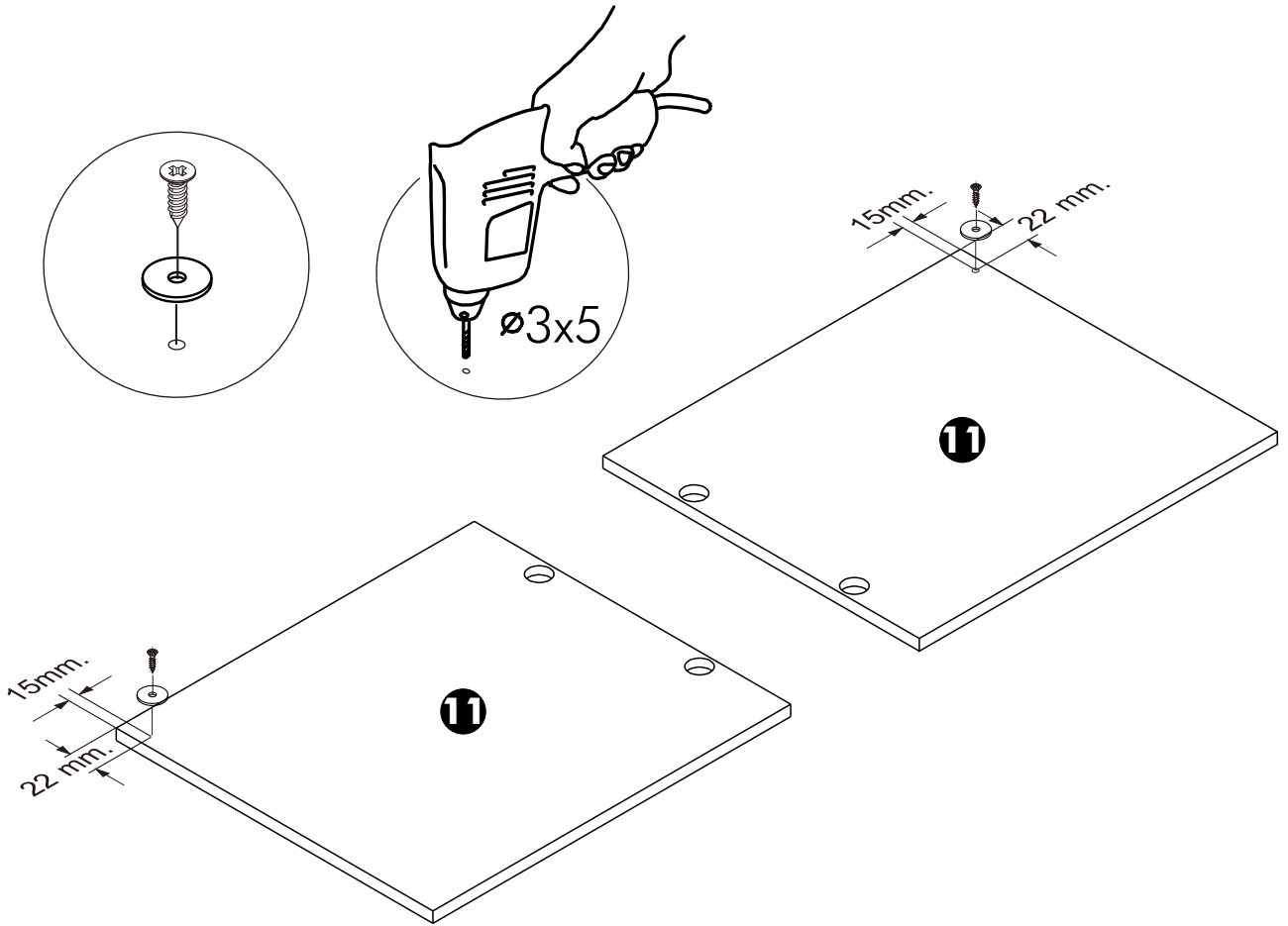
**6.**



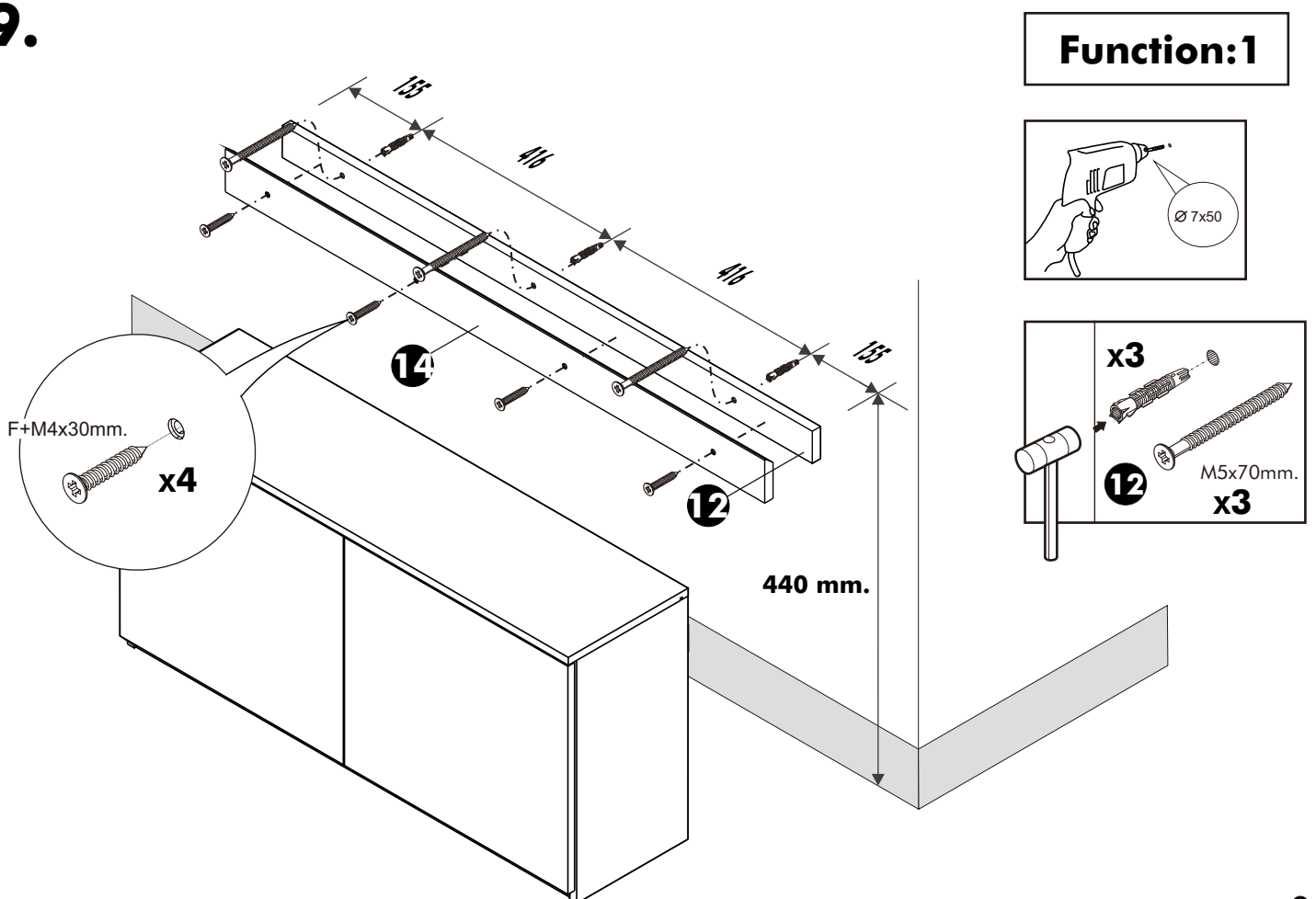
7.



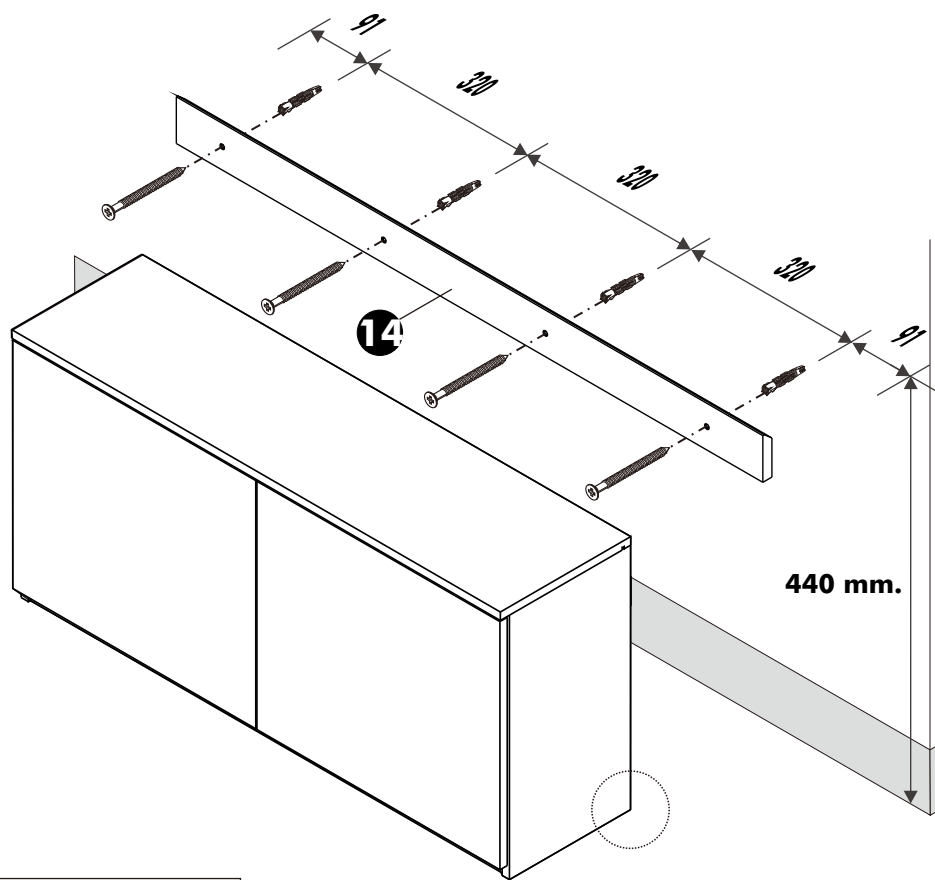
8.



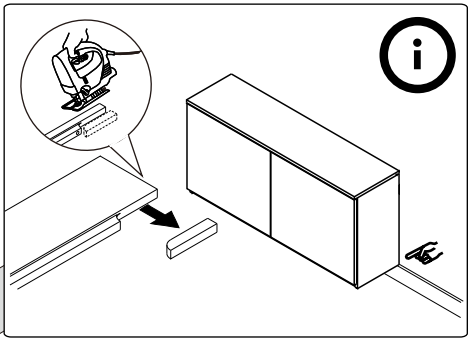
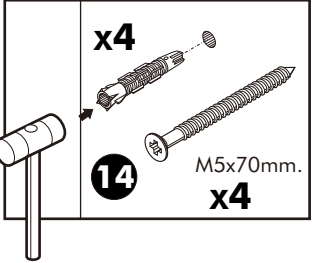
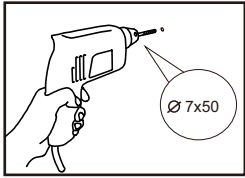
9.



# 10.



**Function:2**



**ASSEMBLY**

-DOOR SET

# 11.

