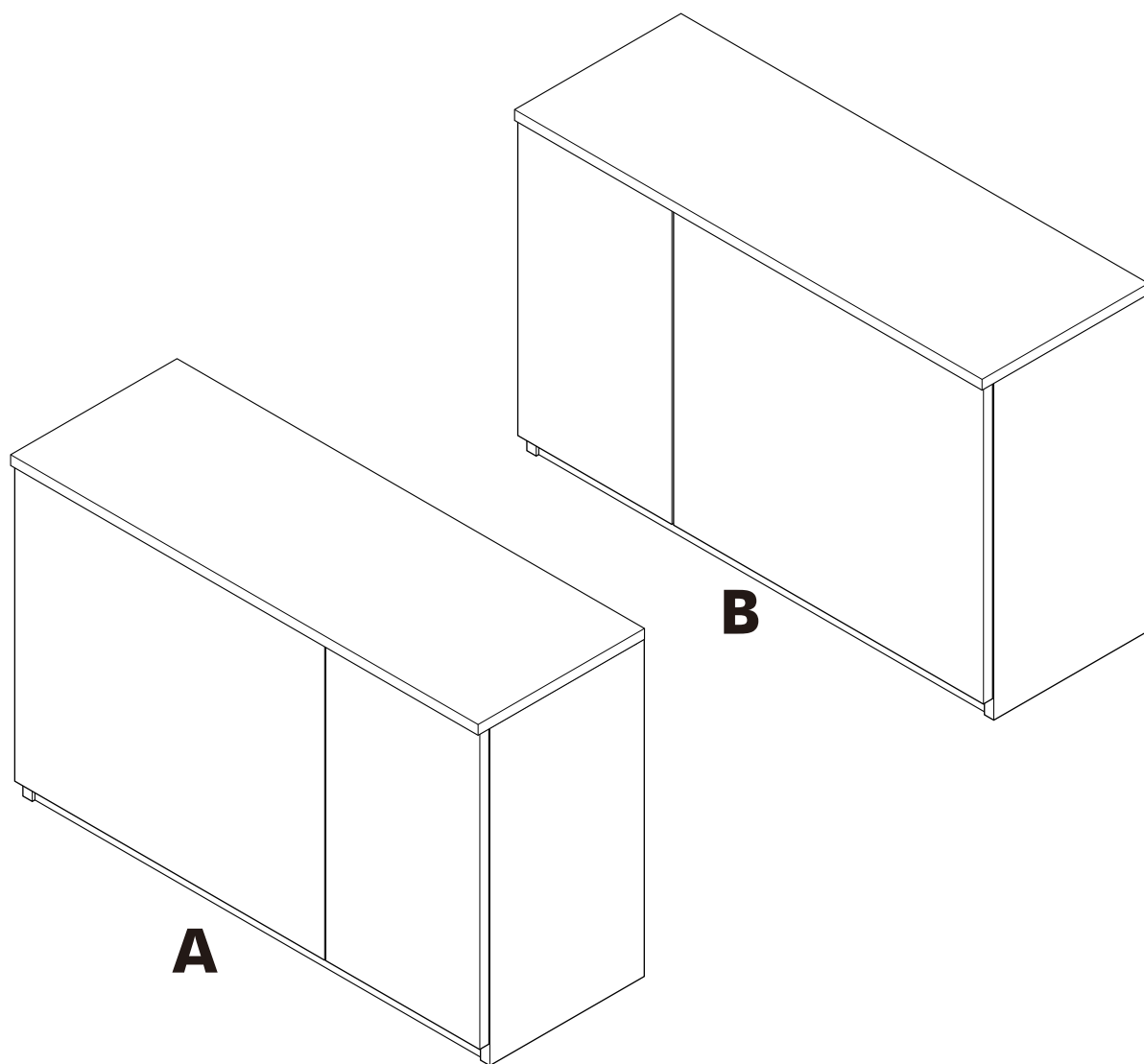


SUPREME

Tv cabinet 90 cm.



CONNECT SYSTEM

1

2

(Connecting bolts)

3

WHEN FITTING CAMS
ENSURE STARTING POSITION IS CORRECT
BEFORE YOU INSERT CONNECTING BOLT
TURN CLOCKWISE UNTIL SECURE

✓

↑

CORRECT

✗

↓

WRONG

1 Pc. $\leq 190\text{mm.}$

2 Pcs. $\geq 191-850\text{mm.}$

3 Pcs. $> 850-2000\text{mm.}$

4 Pcs. $> 2001\text{mm.}$

i

40mm.

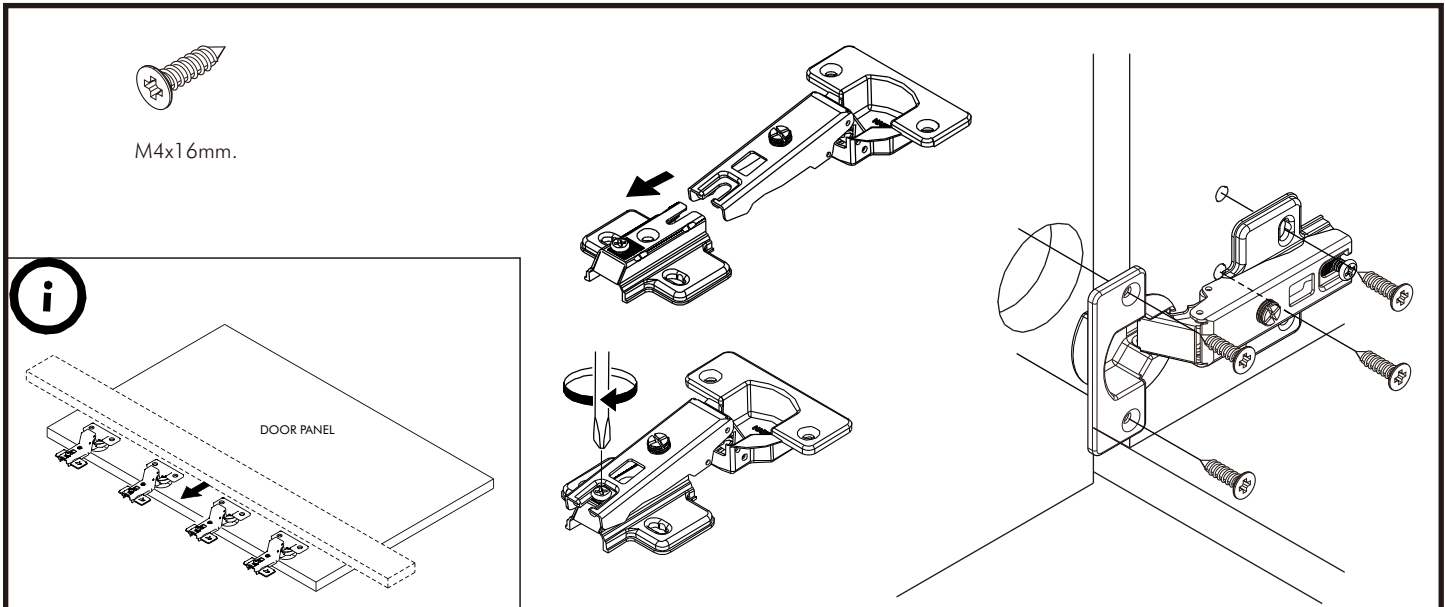
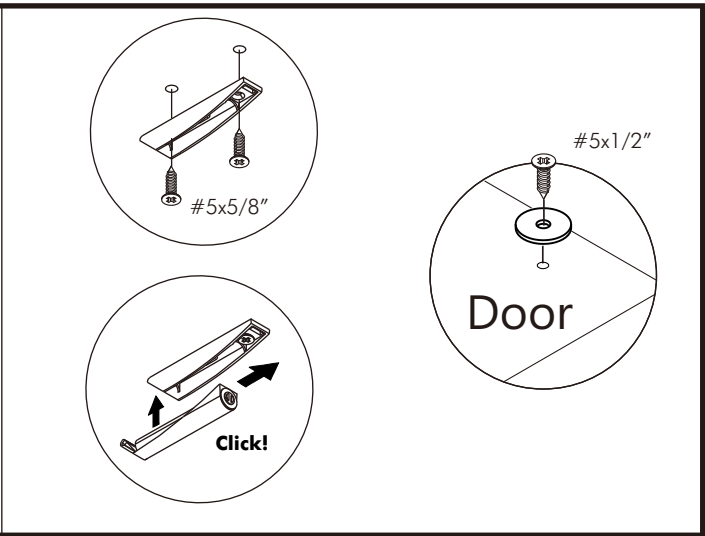
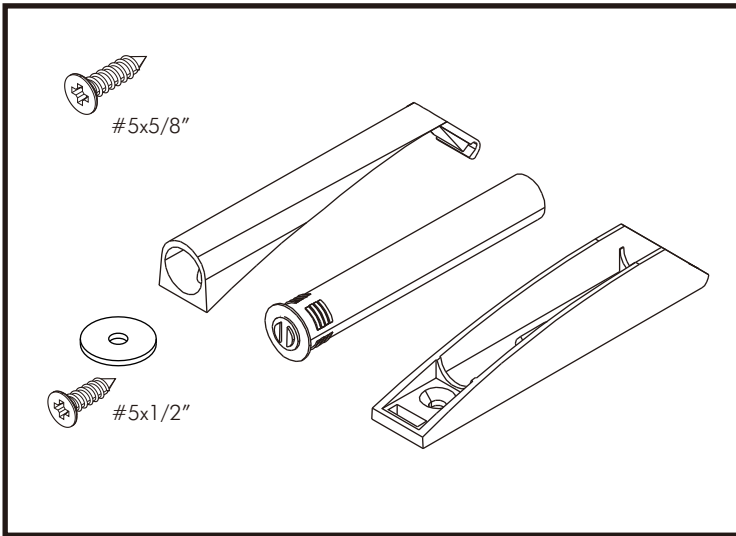
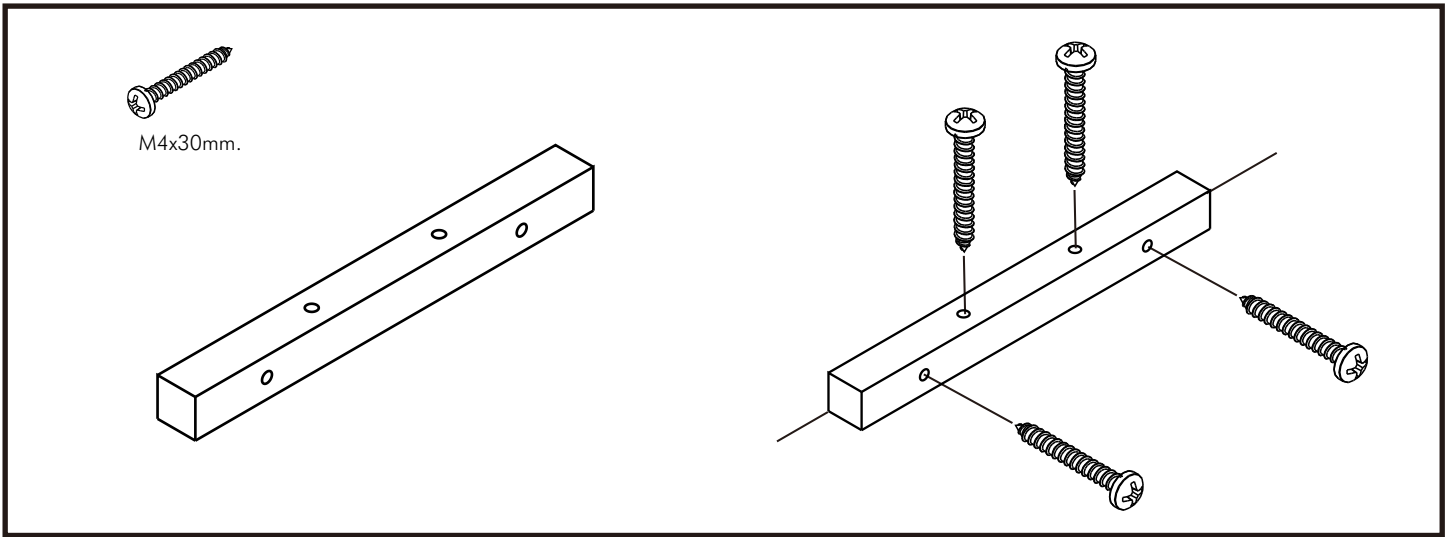
EQ

OUT

IN

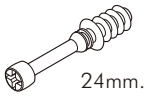
M4x16mm.

M4x16mm.



HARDWARE

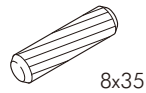
-BODY SET



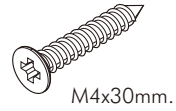
x 8



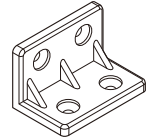
x 8



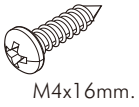
x 14



x 11



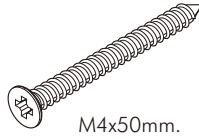
x 9



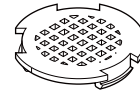
x 4



x 80



x 4



x 2



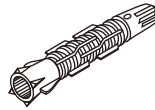
x 4



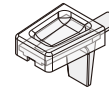
x 4



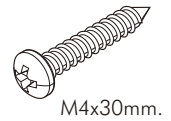
x 3



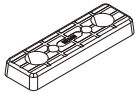
x 3



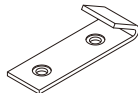
x 16



x 8



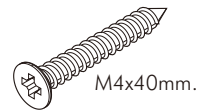
x 9



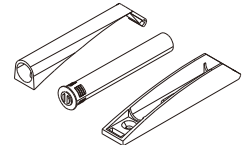
x 8



x 4



x 1



x 2 set



x 2

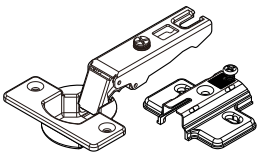


x 4



x 2

-DOOR SET

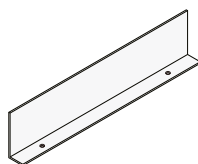
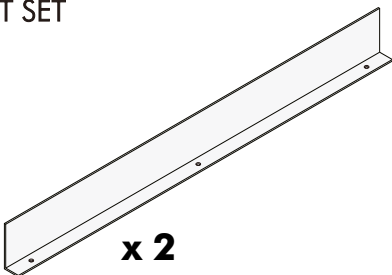


x 4/4



x 16

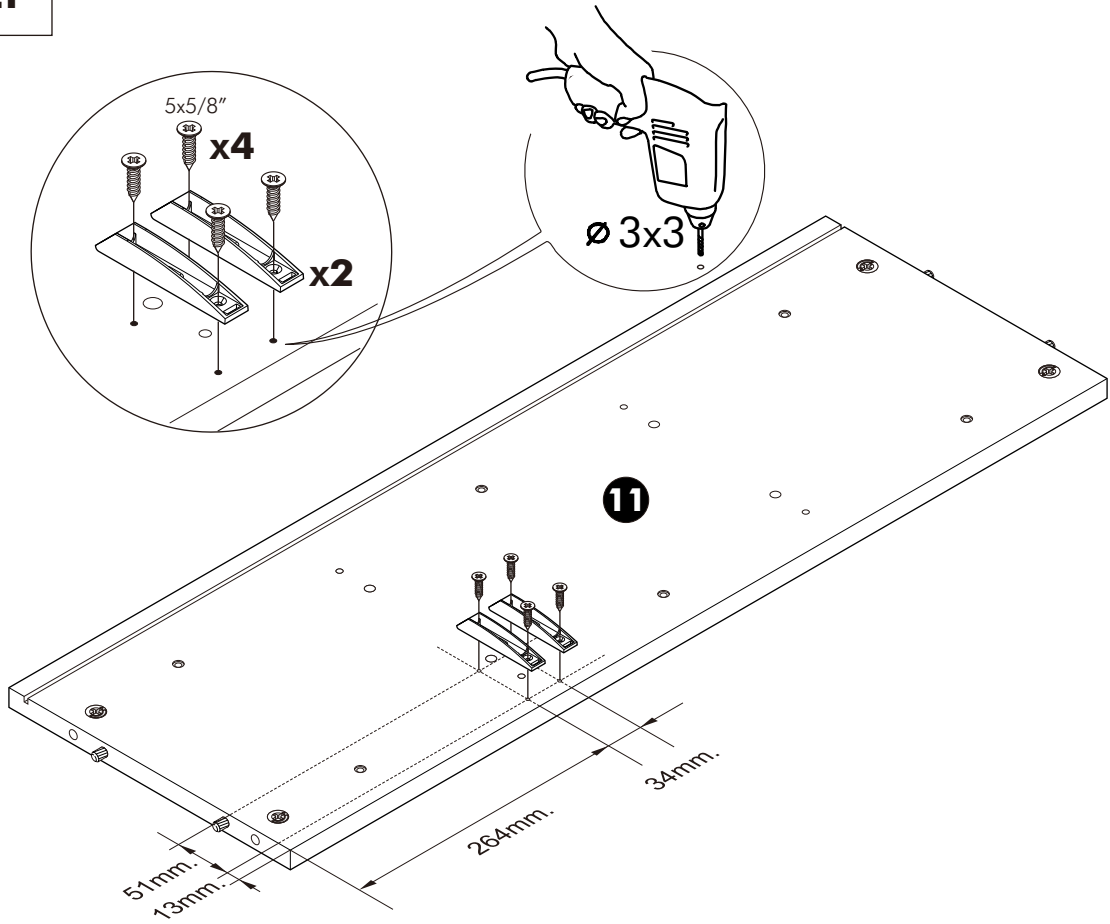
-PART SET



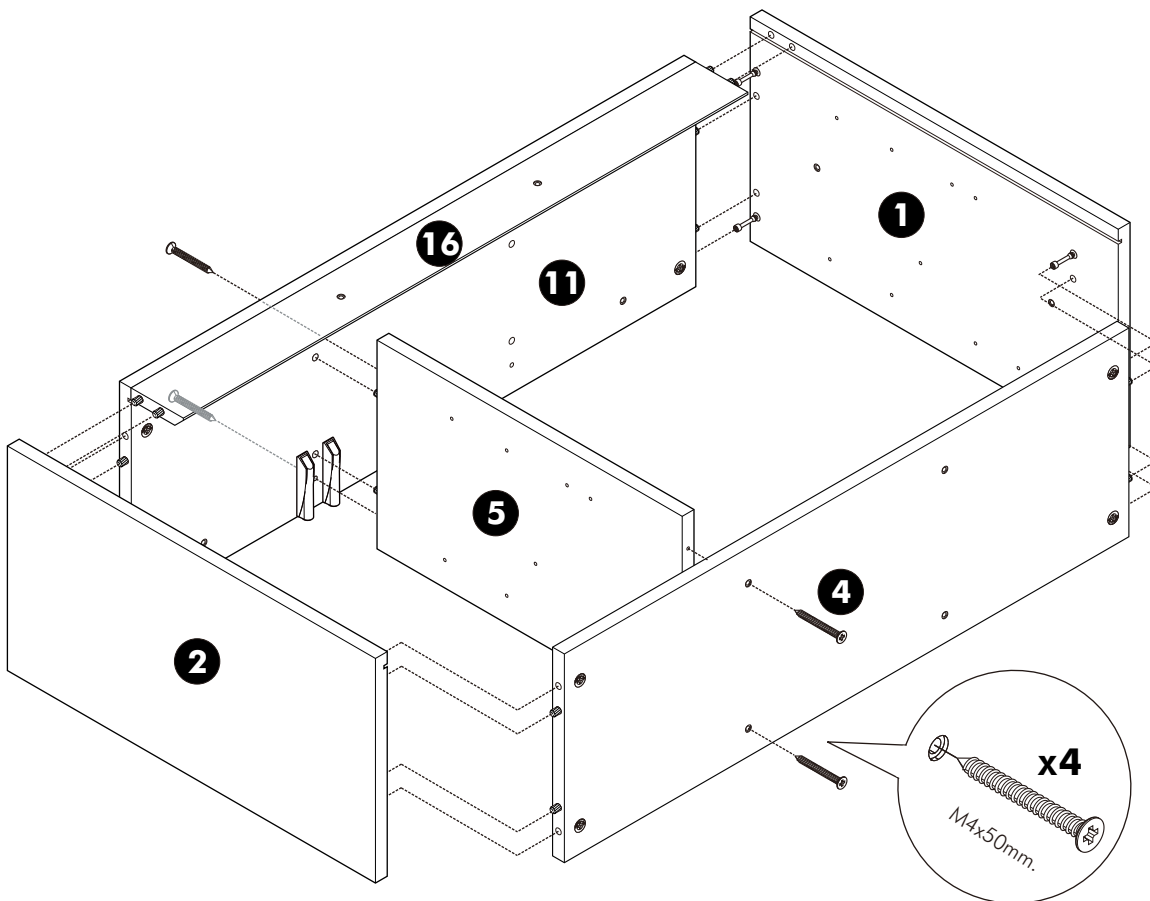
ASSEMBLY

-BODY SET

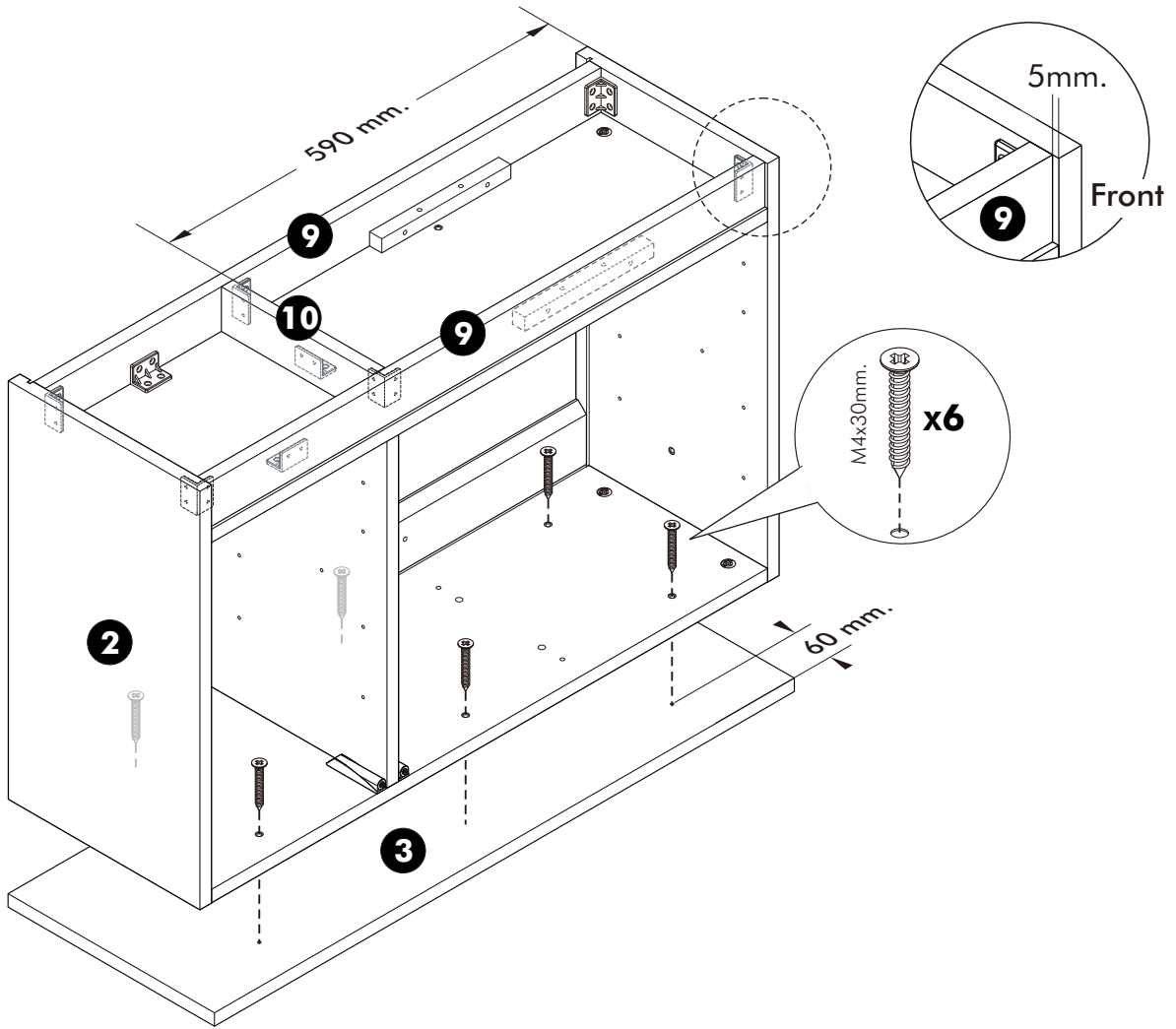
1. Type : A



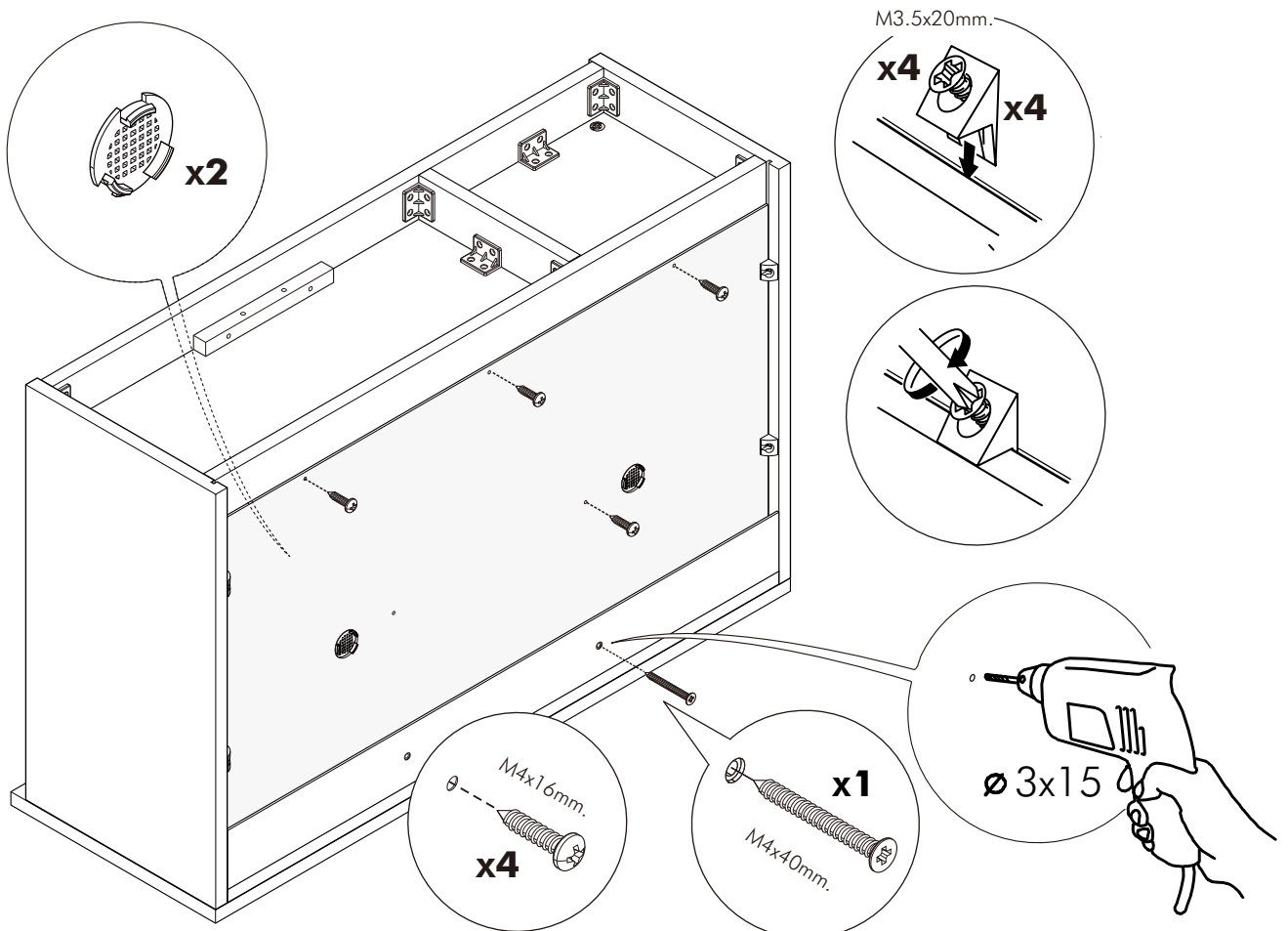
2.



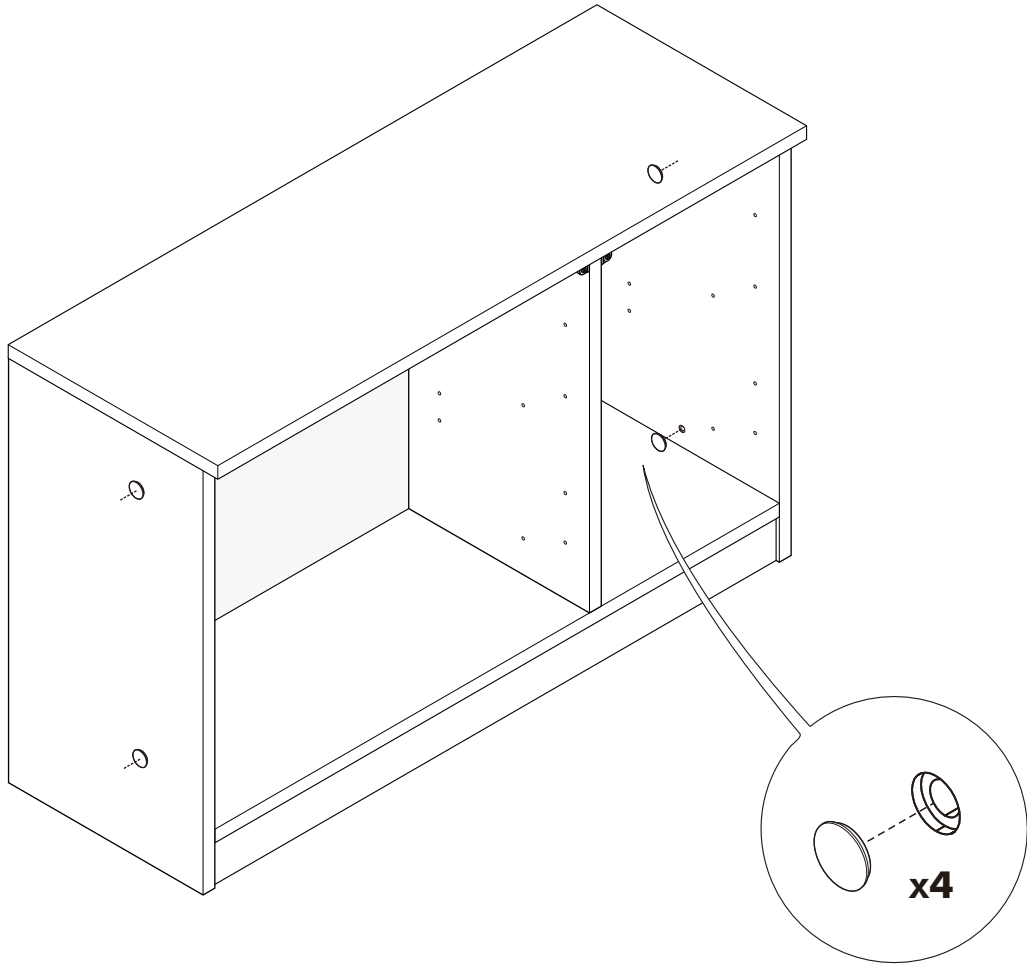
3.



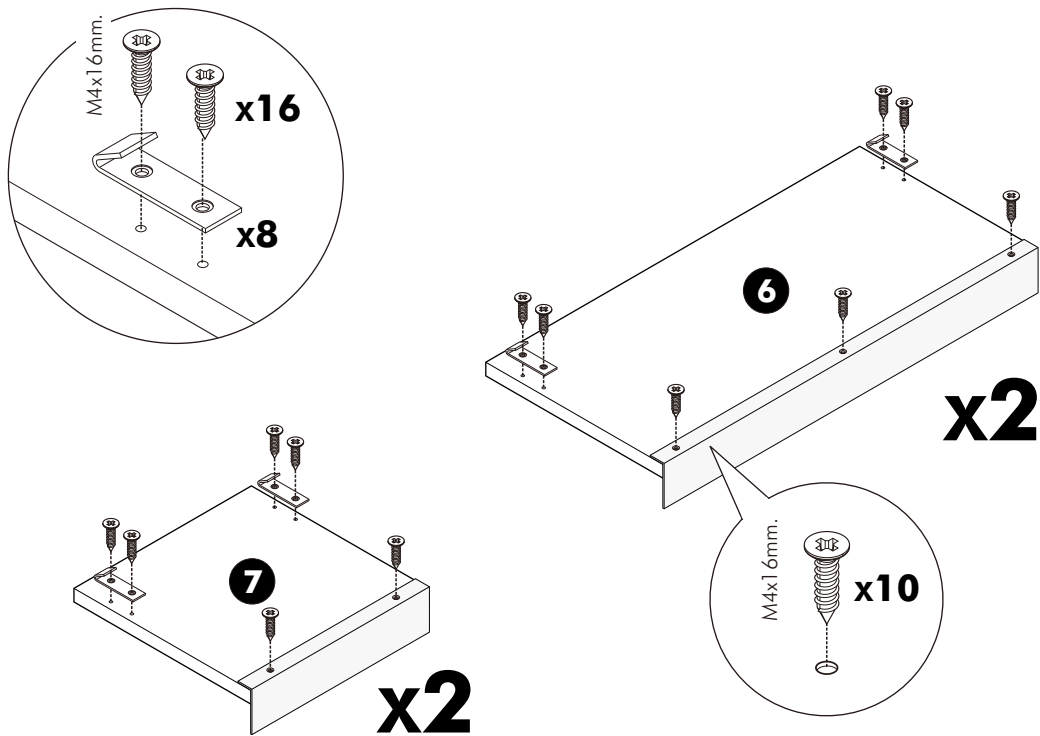
4.



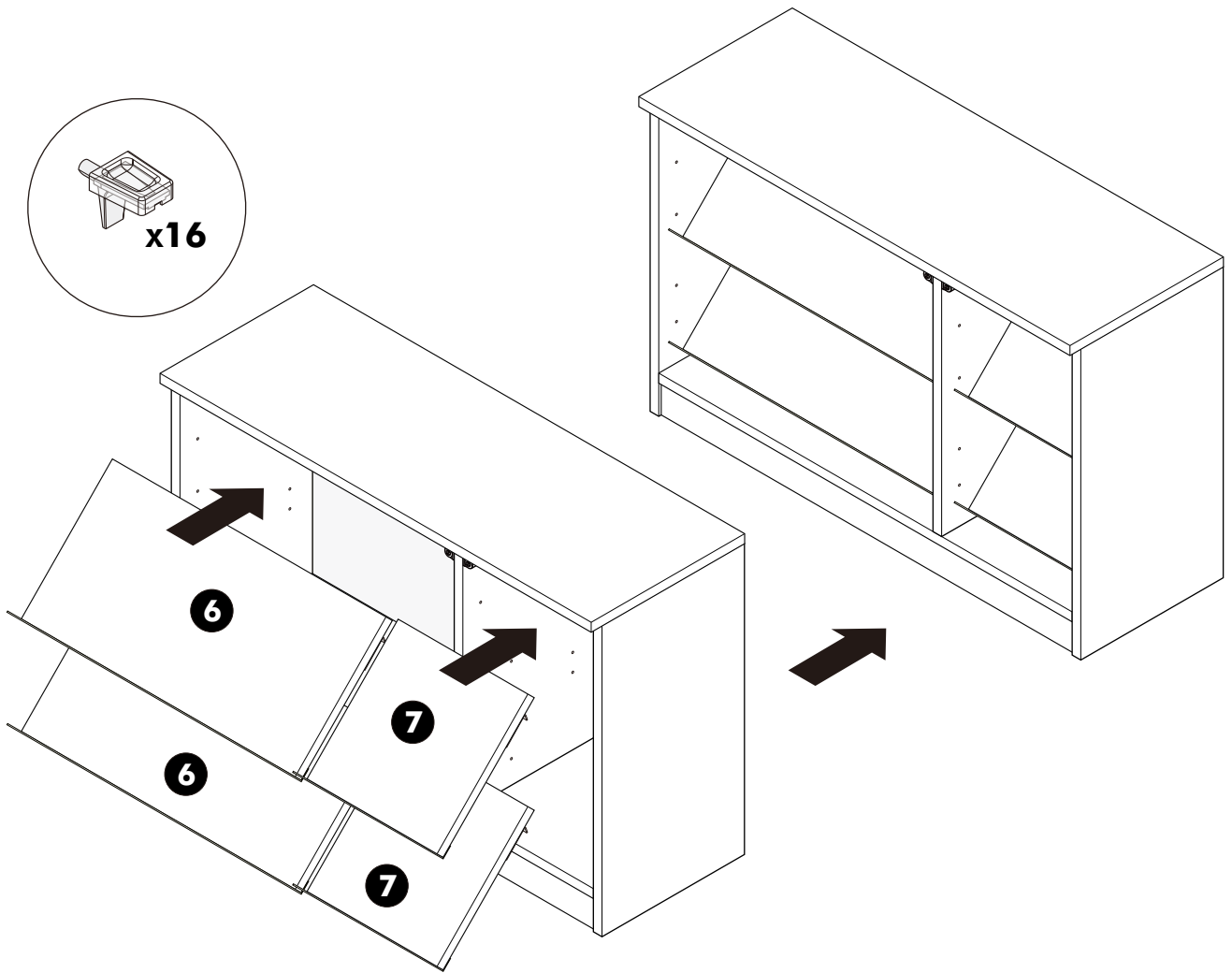
5.



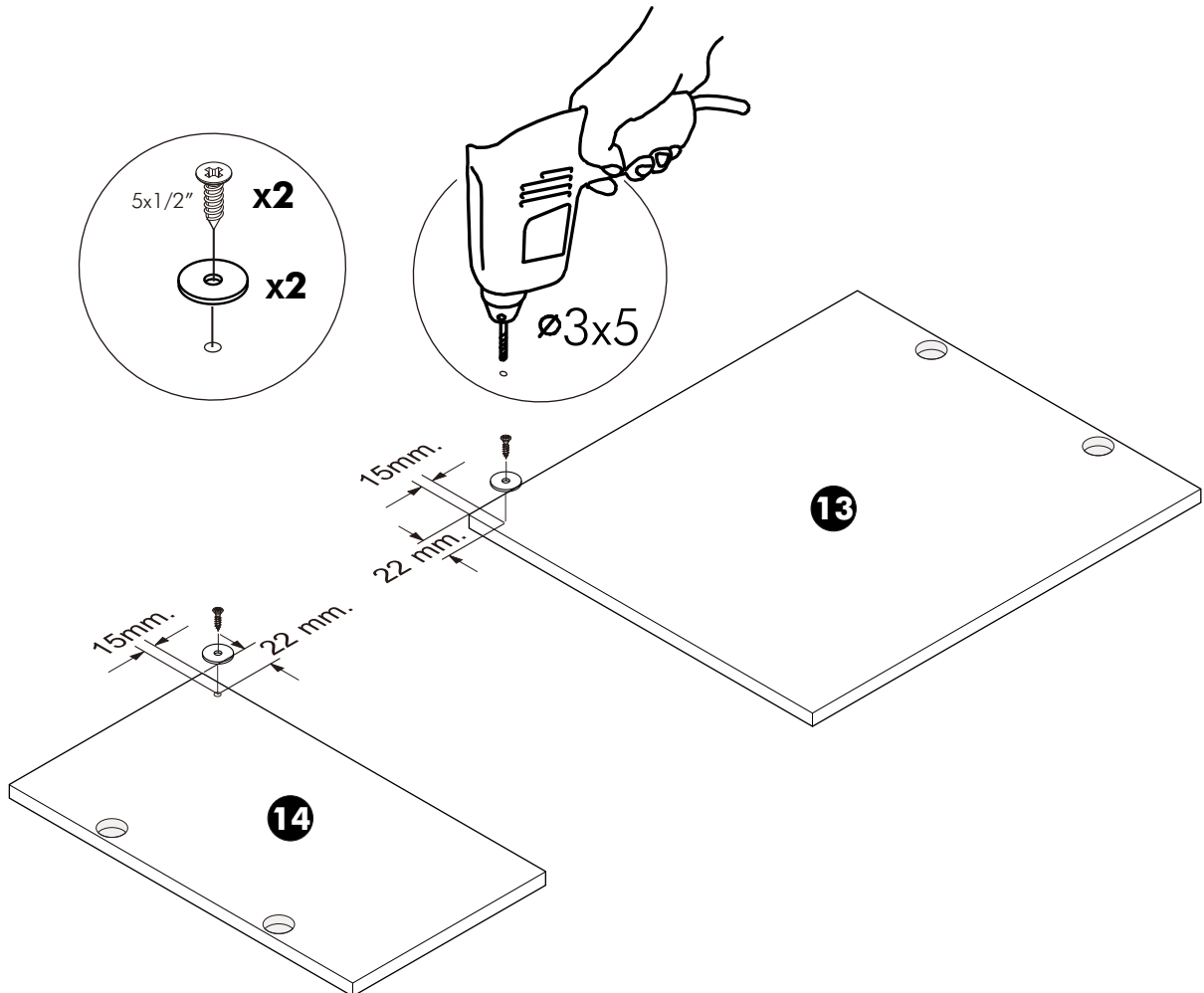
6.



7.

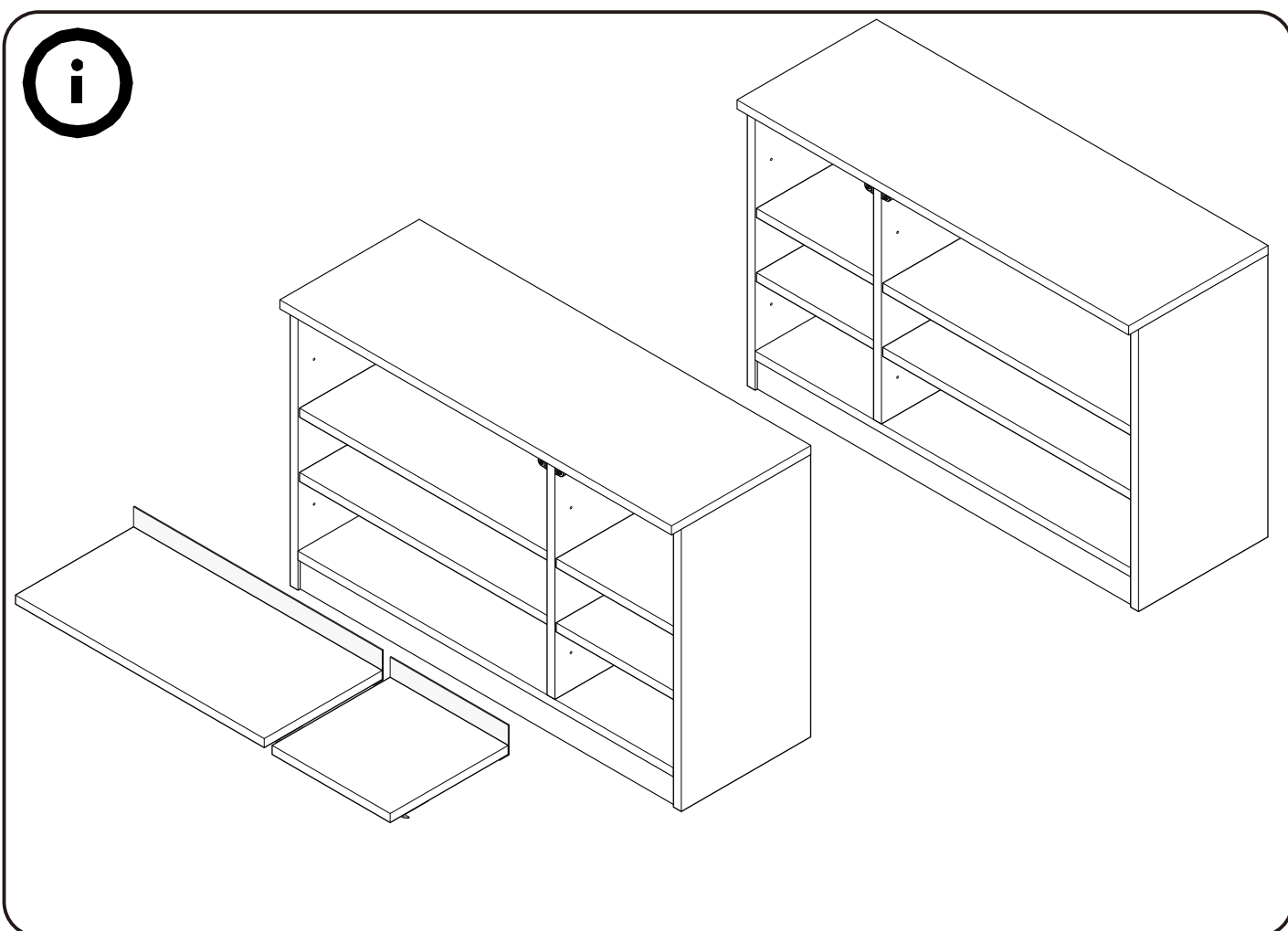
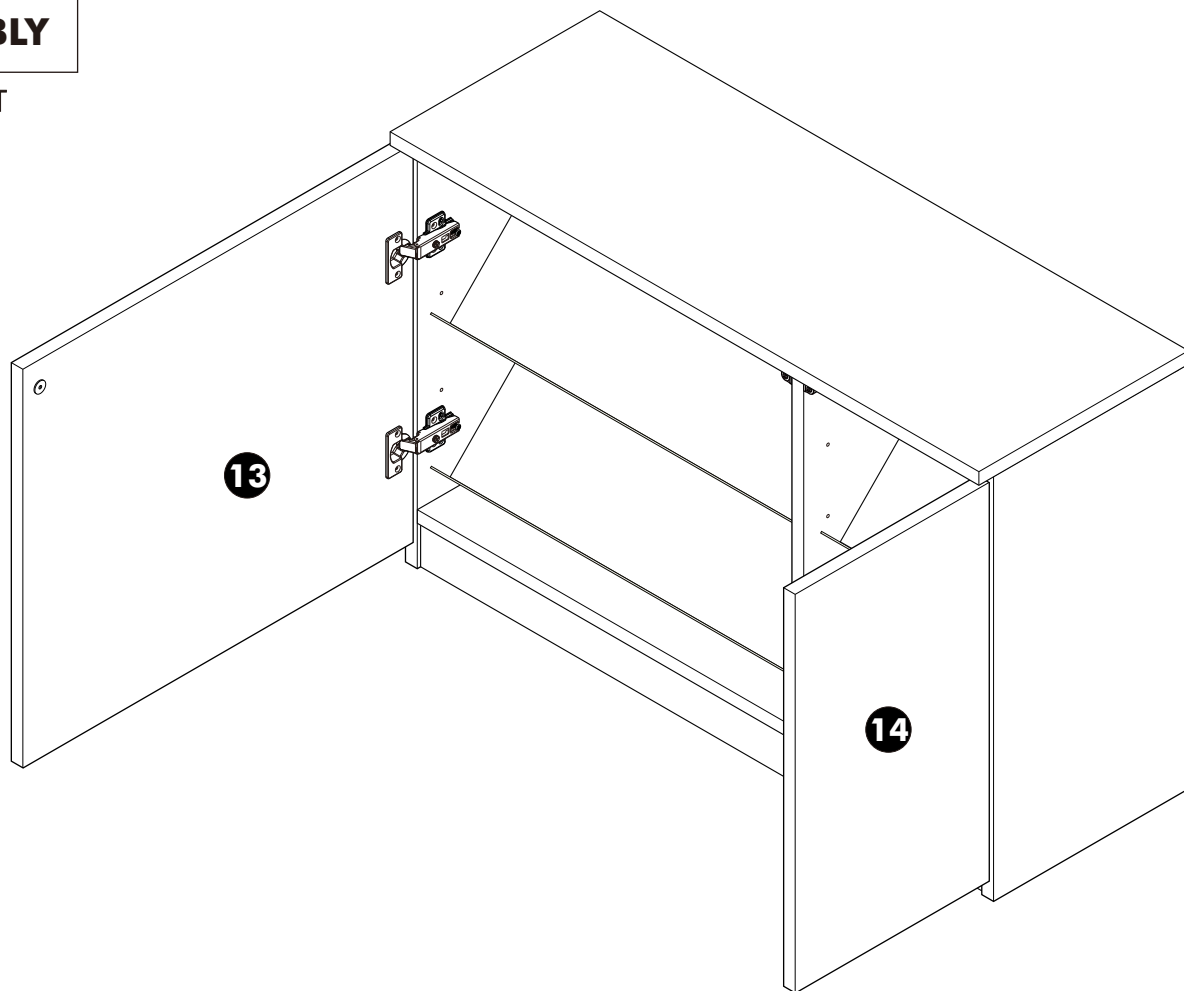


8.



ASSEMBLY

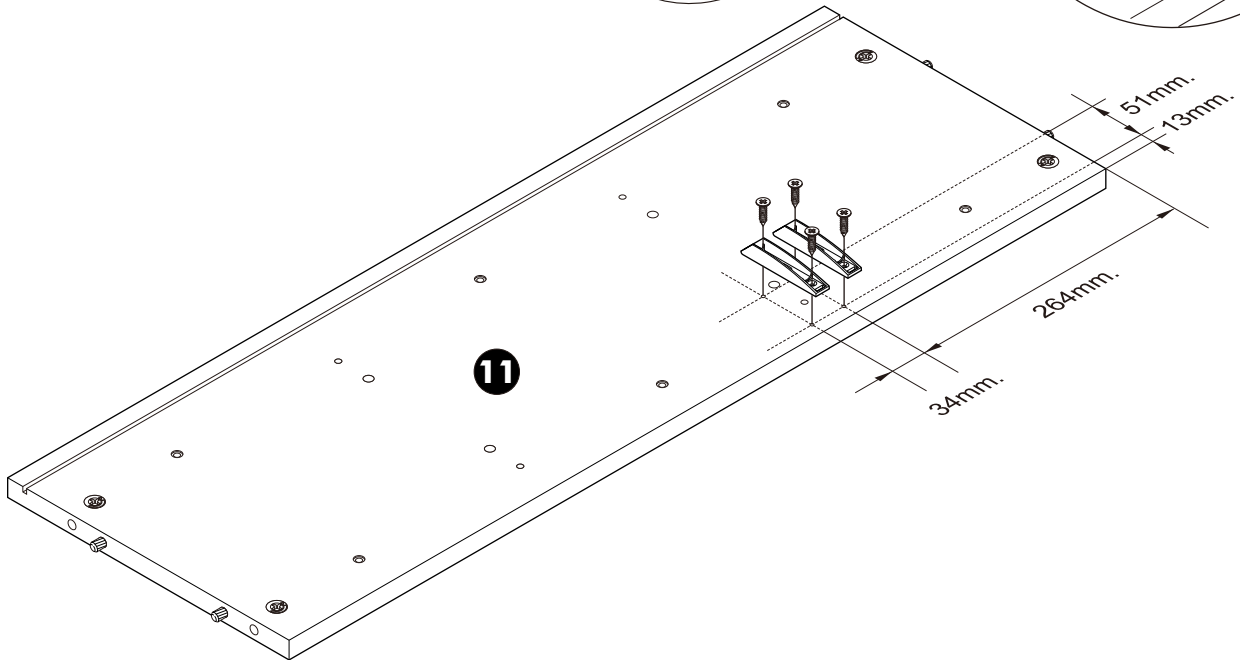
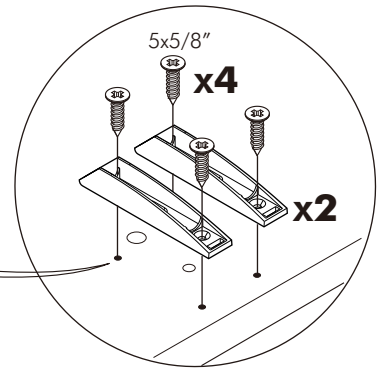
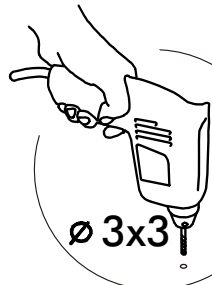
-DOOR SET



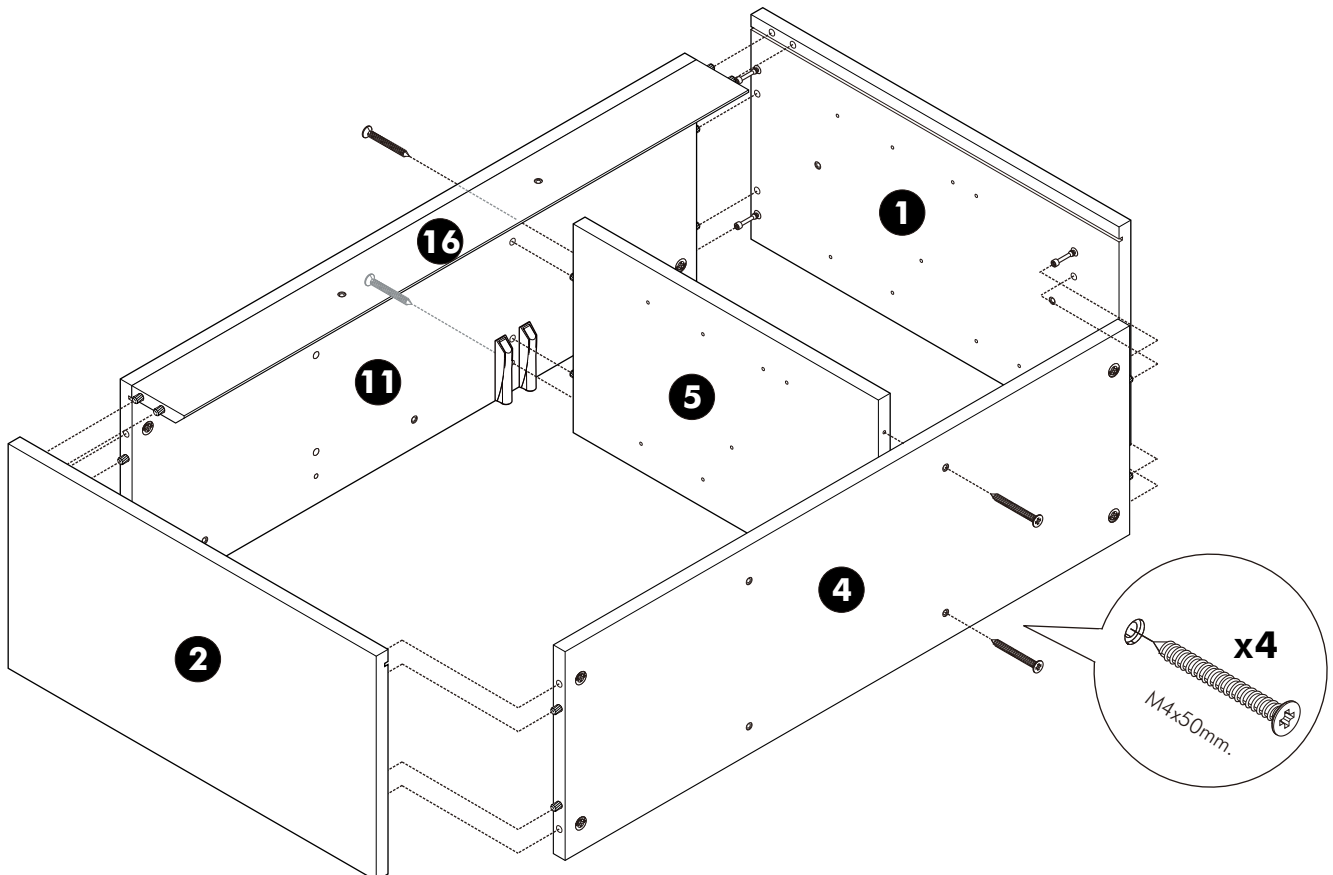
ASSEMBLY

-BODY SET

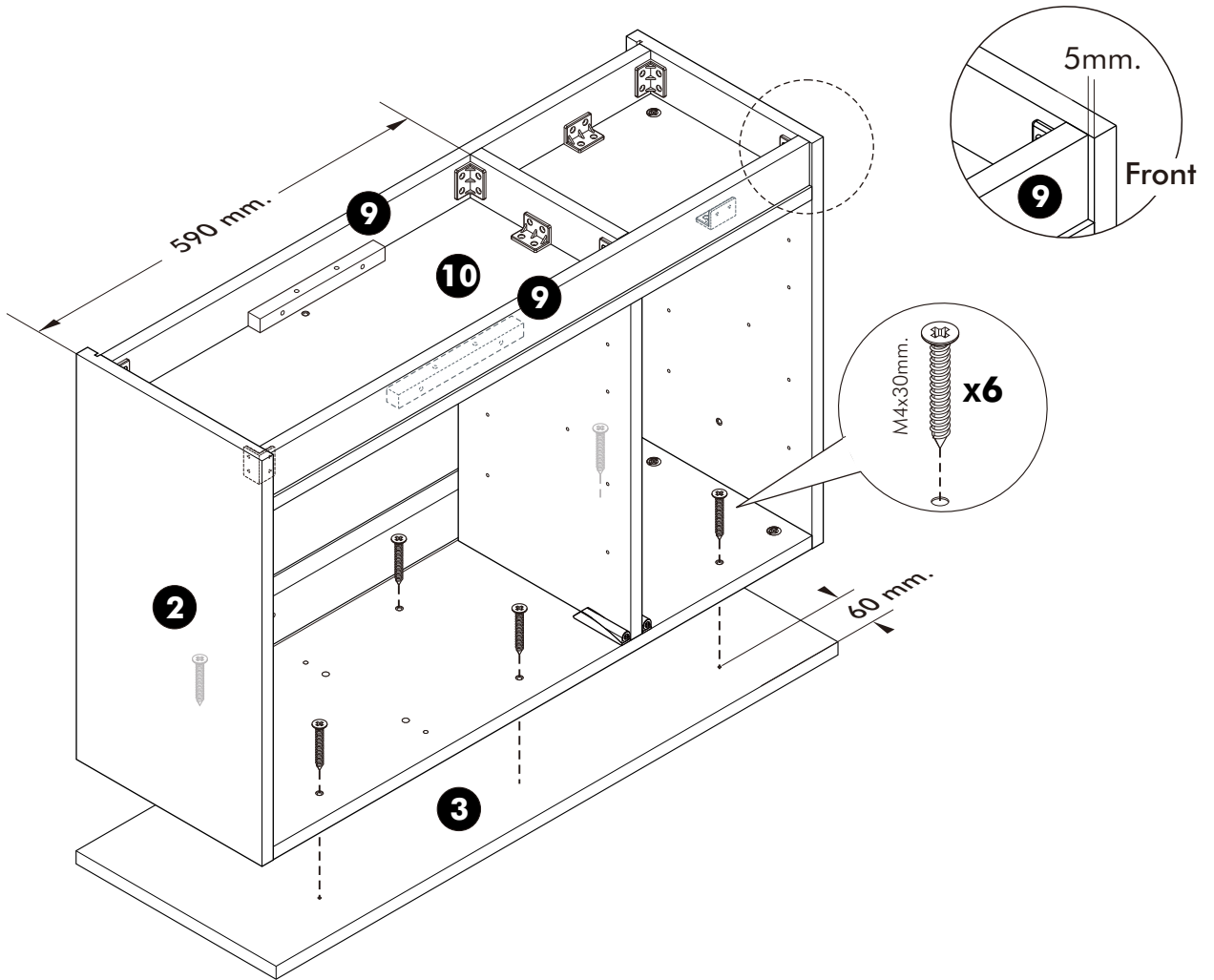
1. Type : B



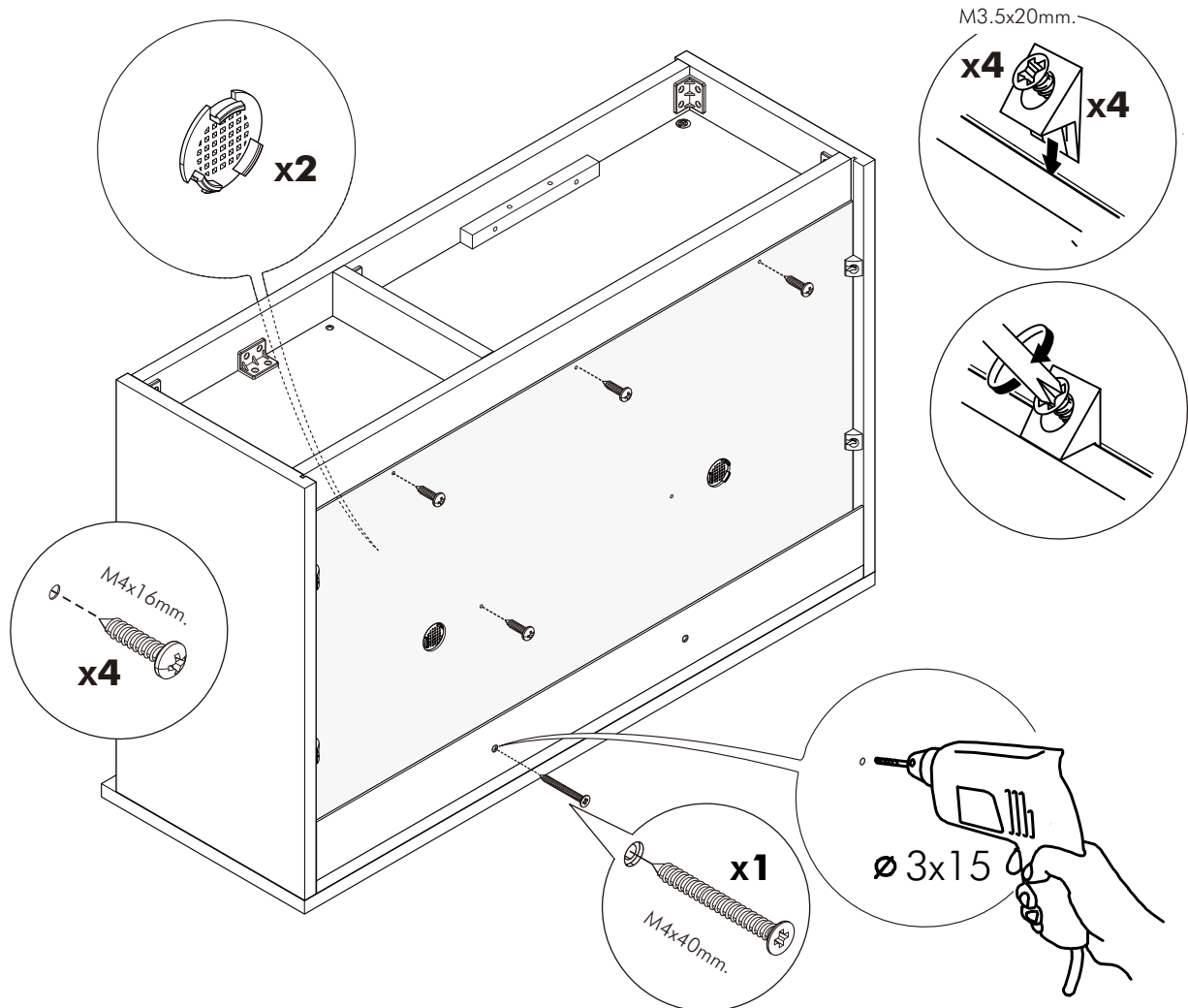
2.



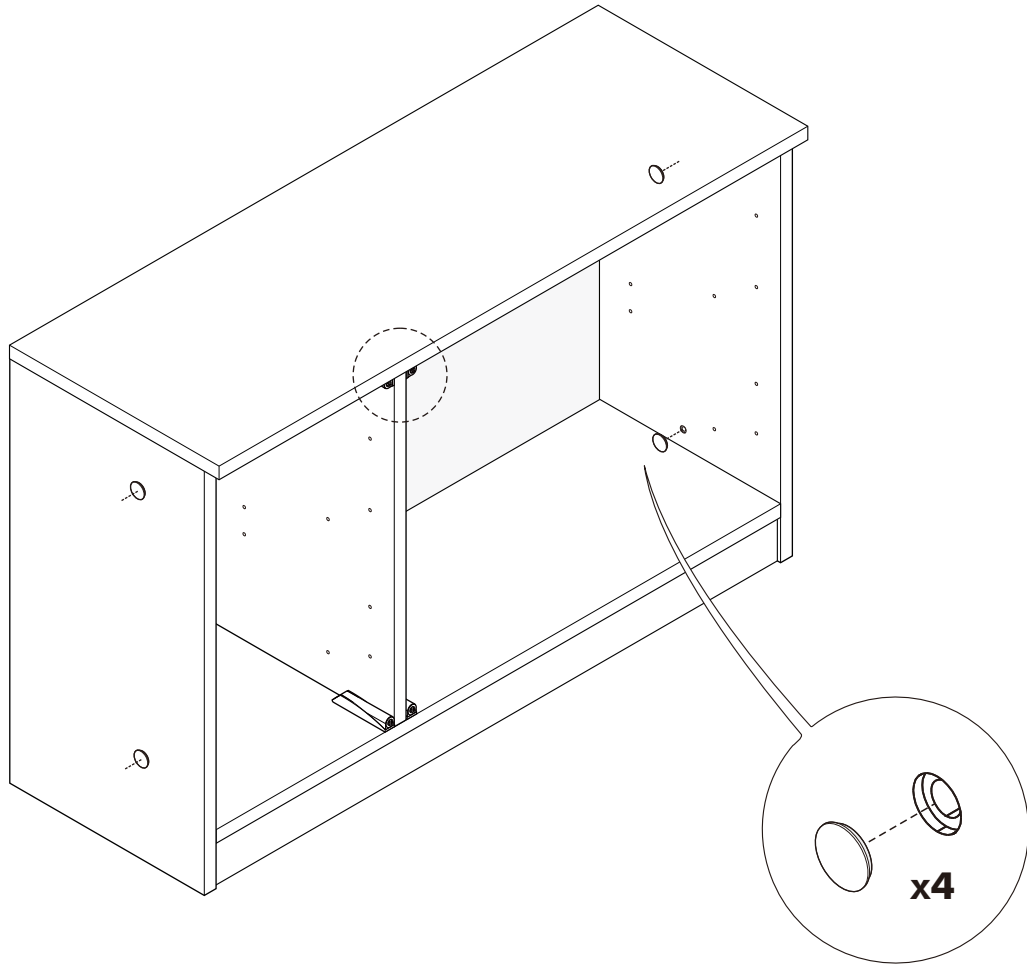
3.



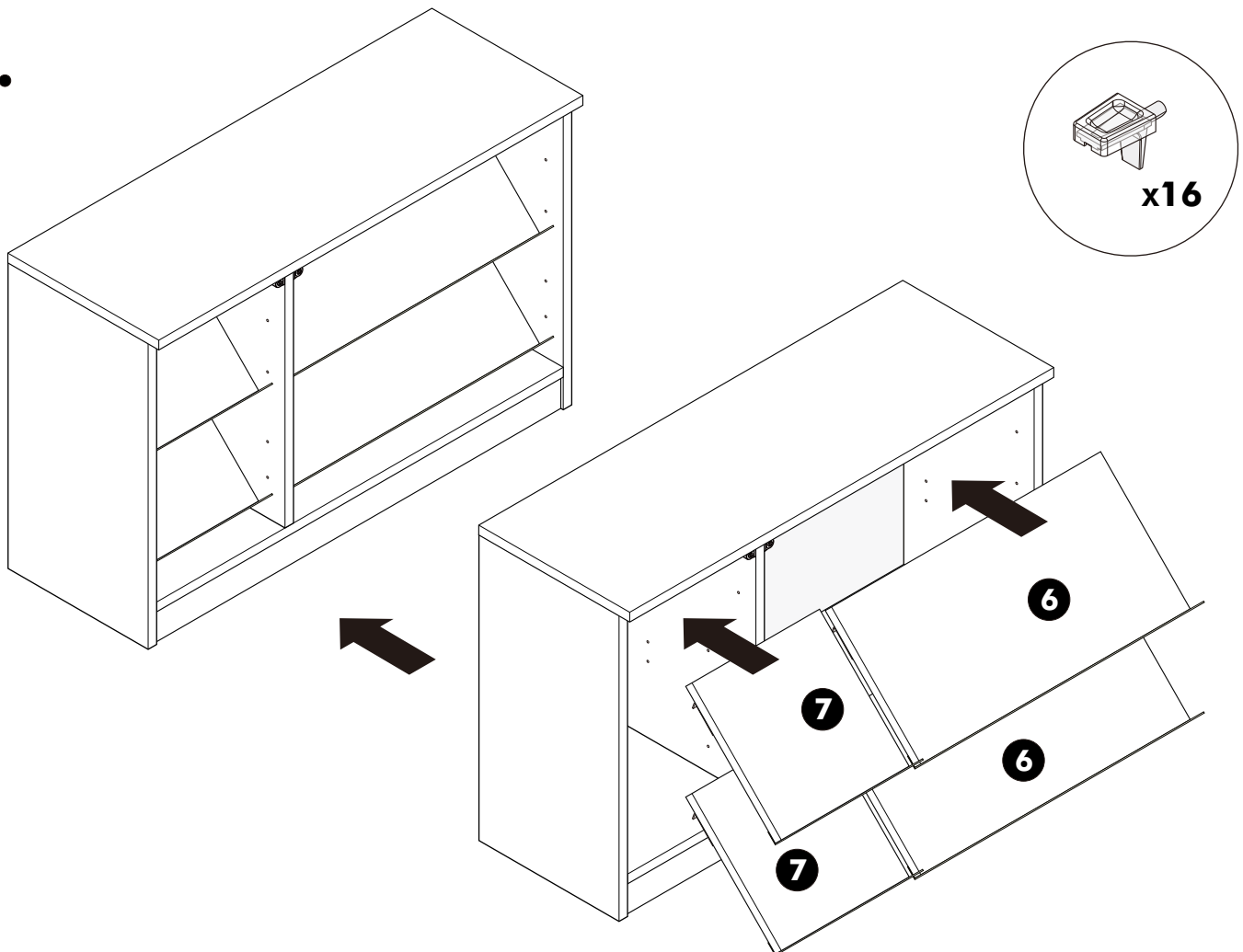
4.



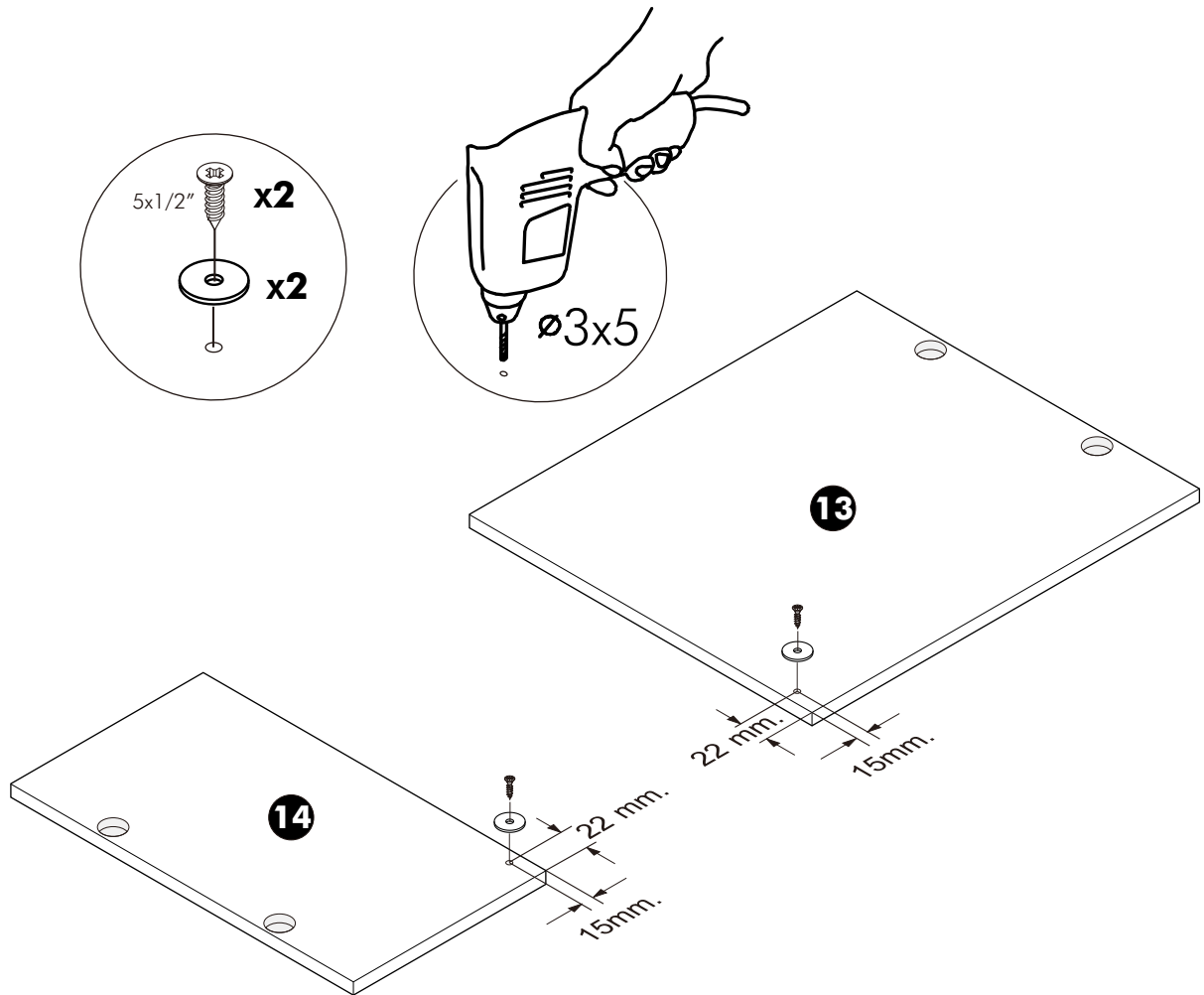
5.



7.

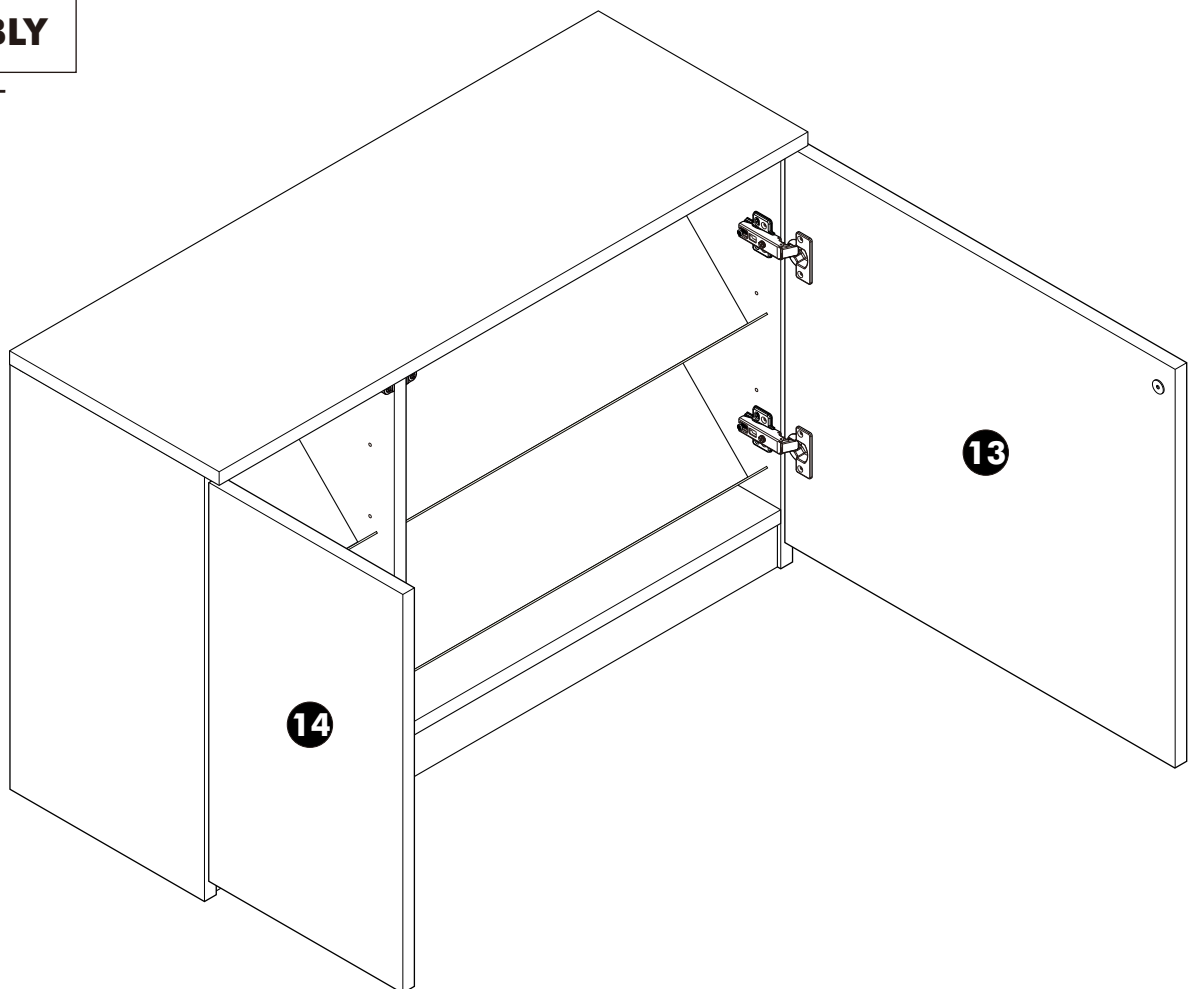


8.

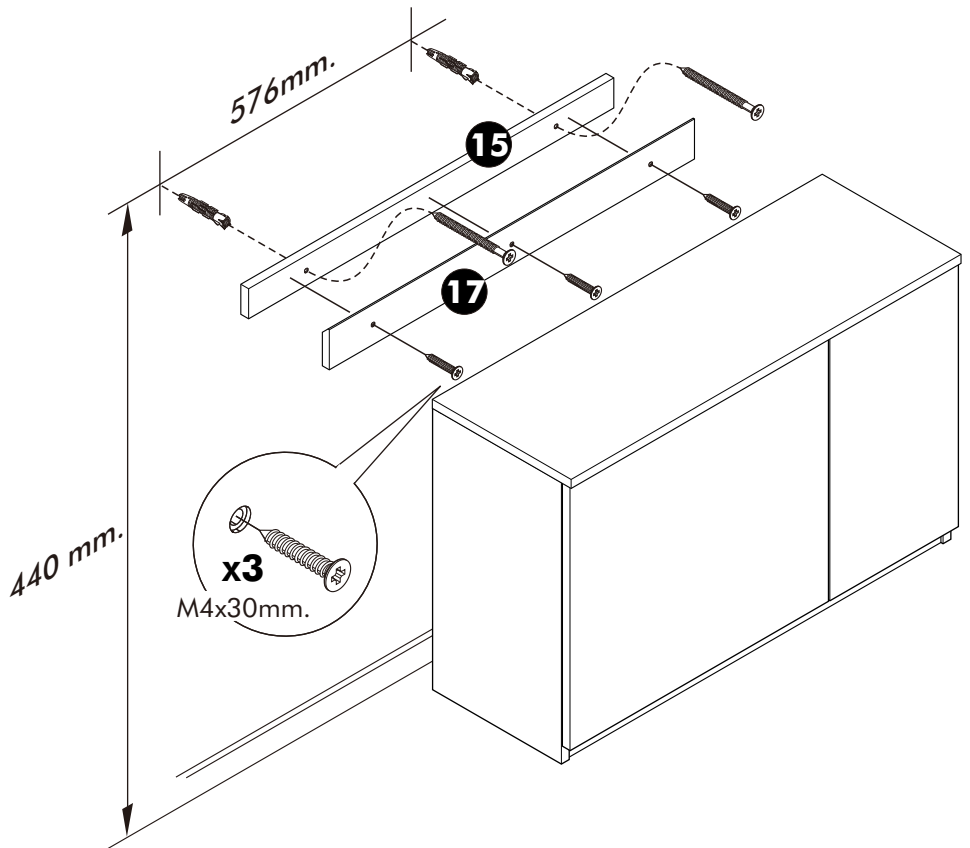
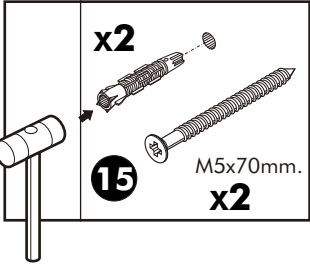
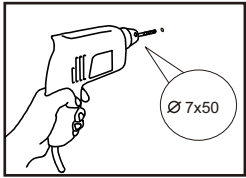


ASSEMBLY

-DOOR SET



Function:1



Function:2

