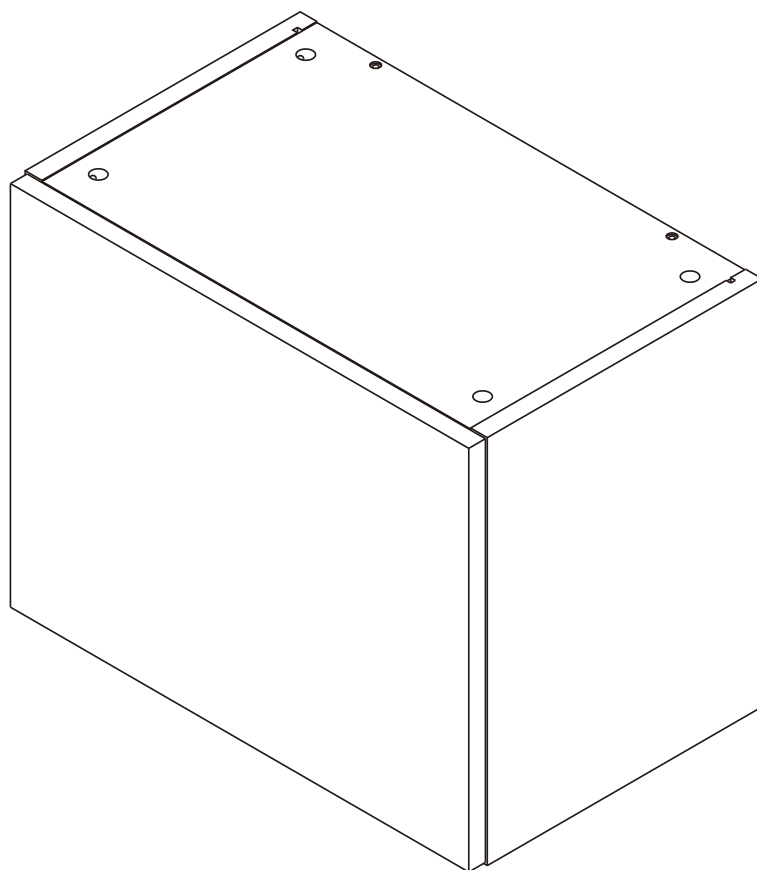


# SUPREME

**Dressing Connet W50 cm.**



# CONNECT SYSTEM

**1**

**2**

**3**

**WHEN FITTING CAMS**  
 ENSURE STARTING POSITION IS CORRECT  
 BEFORE YOU INSERT CONNECTING BOLT  
 TURN CLOCKWISE UNTIL SECURE

<p>✓</p> <p>↑ CORRECT</p>	<p>✗</p> <p>↓ WRONG</p>
-------------------------------	-----------------------------

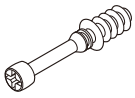
M4x16mm.

**i**

DOOR PANEL

# HARDWARE

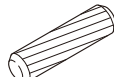
## -BODY SET



**x 8**



**x 8**



8x35mm.

**x 12**



∅ 11mm.

**x 6**



M4x30mm.

**x 8**



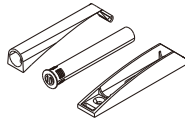
#5x1/2"

**x 1**



#5x5/8"

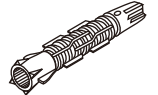
**x 2**



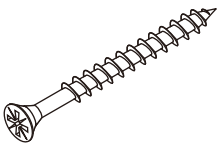
**x 1**



**x 1**

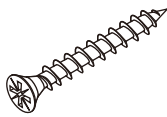


**x 2**



M5x70mm.

**x 2**



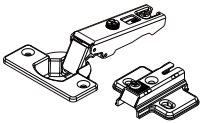
M4x40mm.

**x 2**

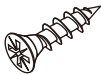


**x 2**

## -DOOR SET



**x 2**



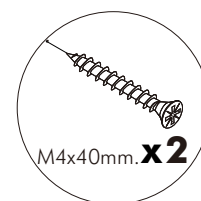
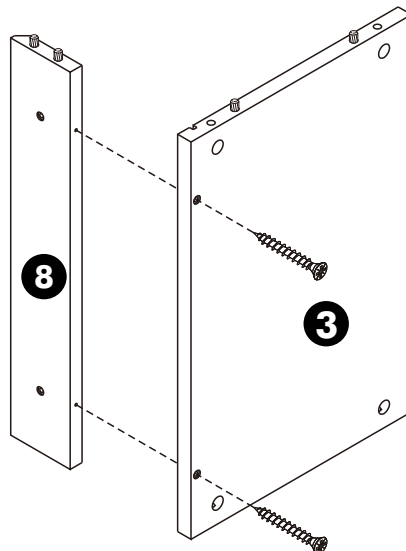
M4x16mm.

**x 8**

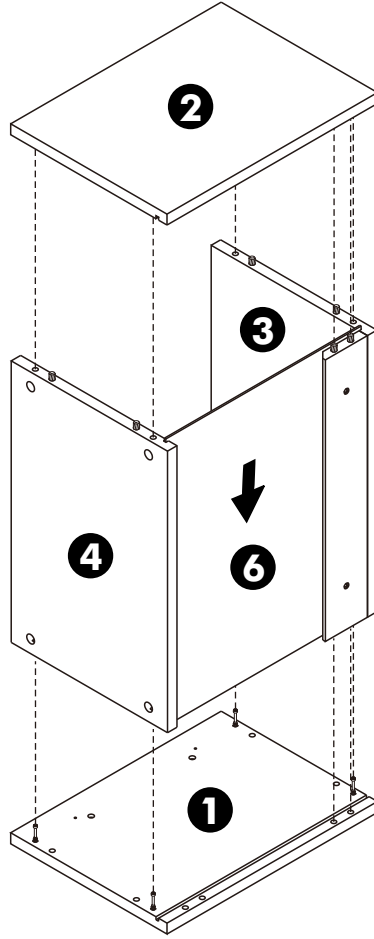
# ASSEMBLY

## -BODY SET

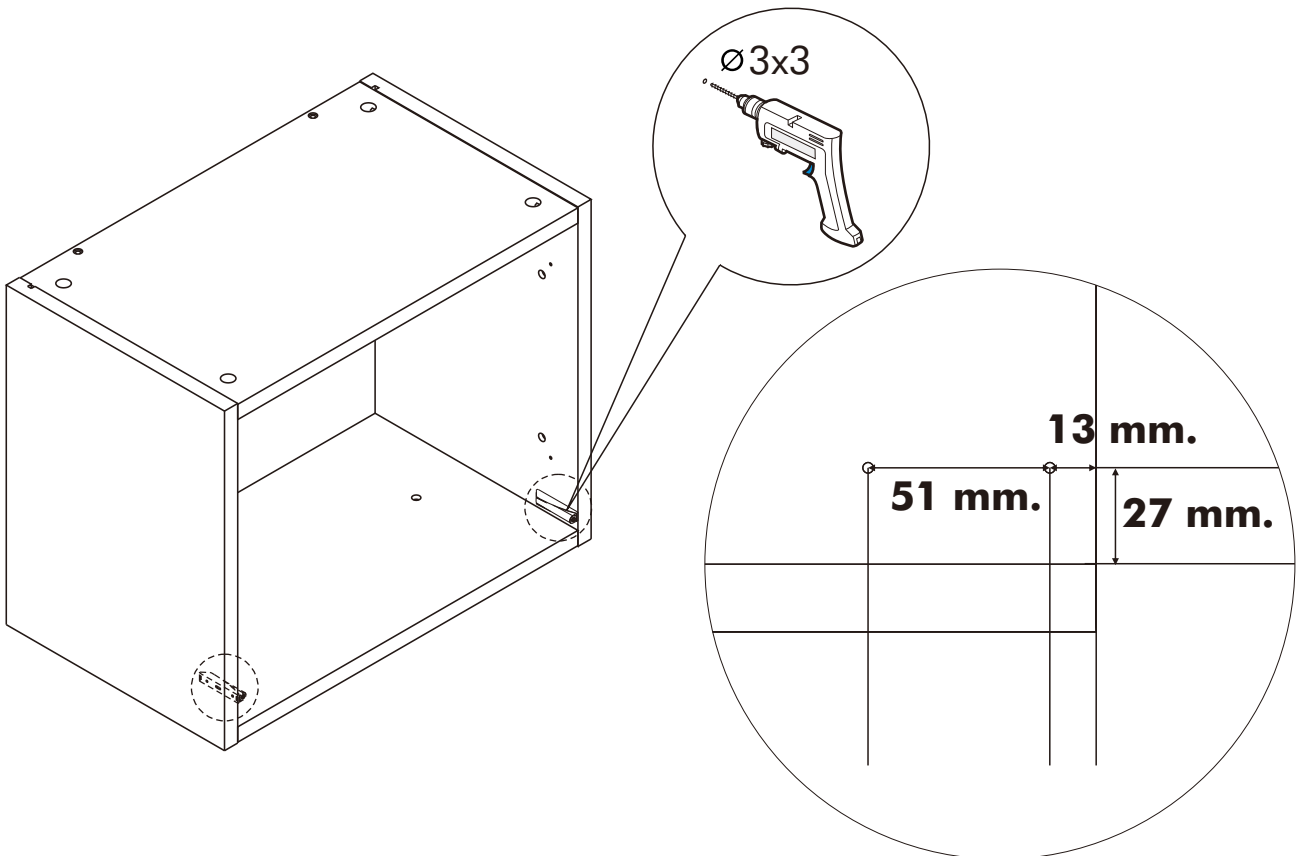
**1.**



**2.**

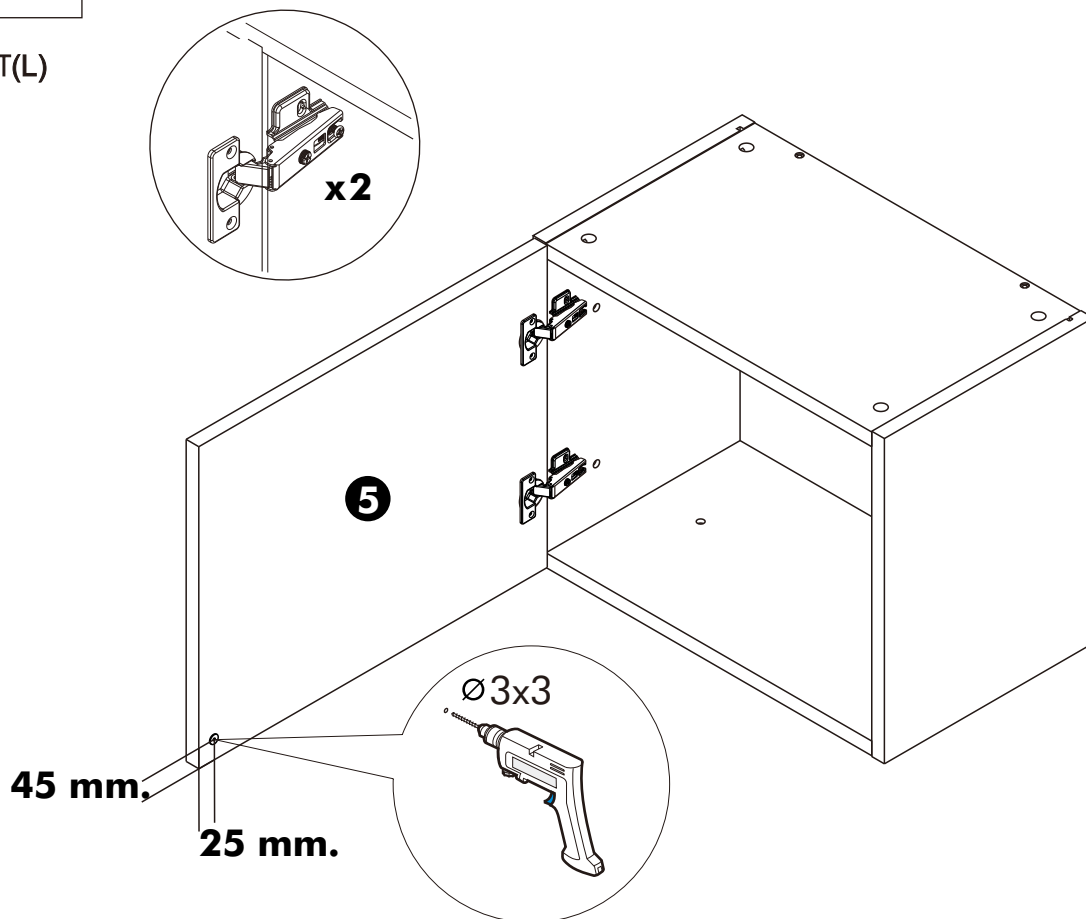


**3L,R.**



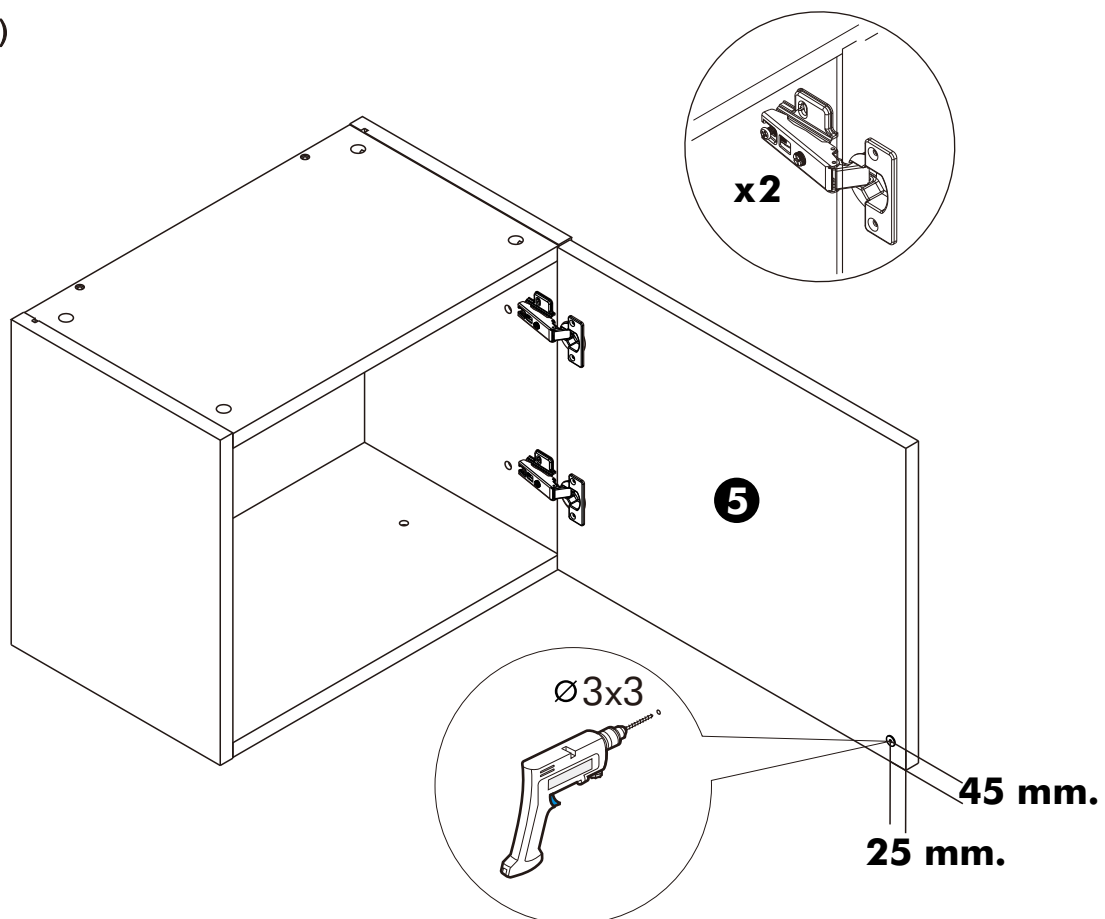
# ASSEMBLY

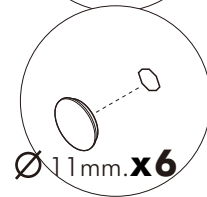
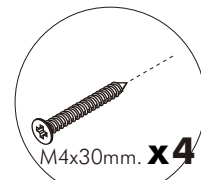
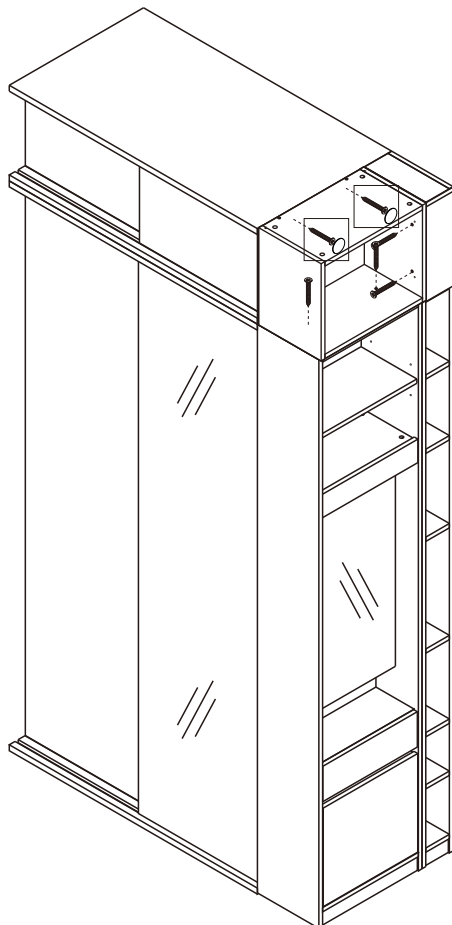
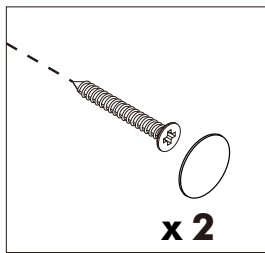
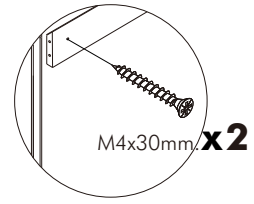
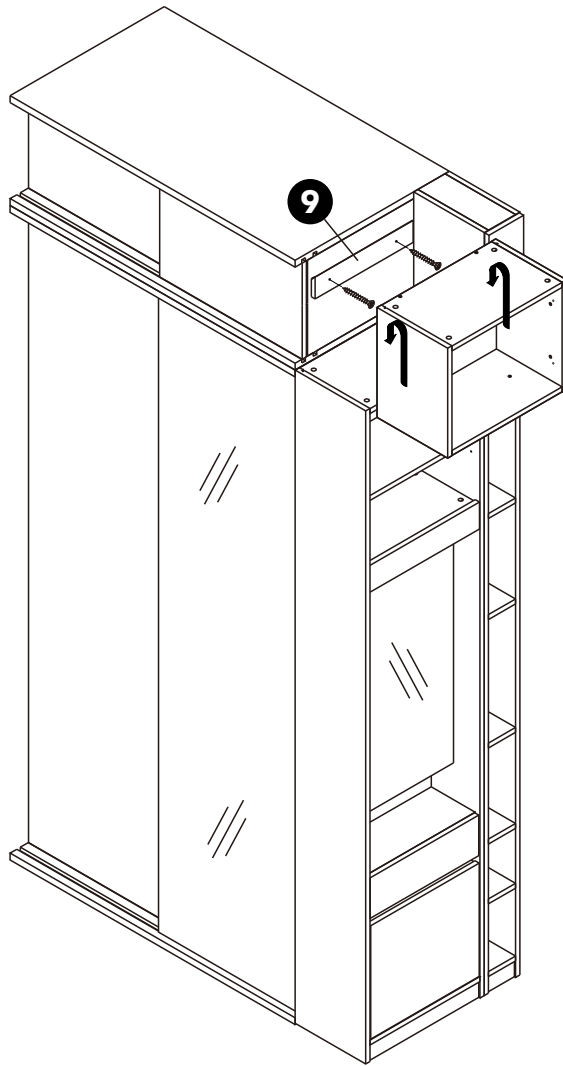
-DOOR SET(L)



# ASSEMBLY

-DOOR SET(R)

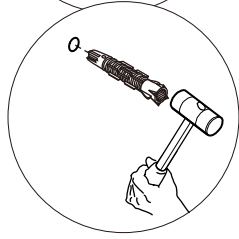
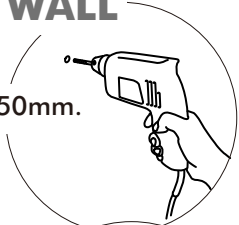






**WALL**

Ø 7x50mm.



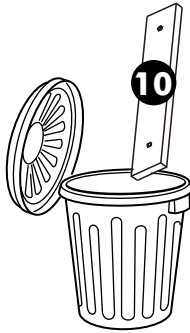
x2

10

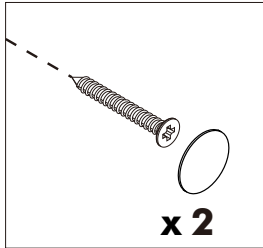
M5x70mm. x2

9

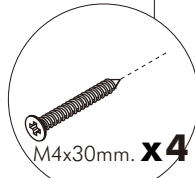
M4x30mm. x2



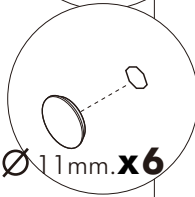
10



x 2



M4x30mm. x4



Ø11mm. x6

