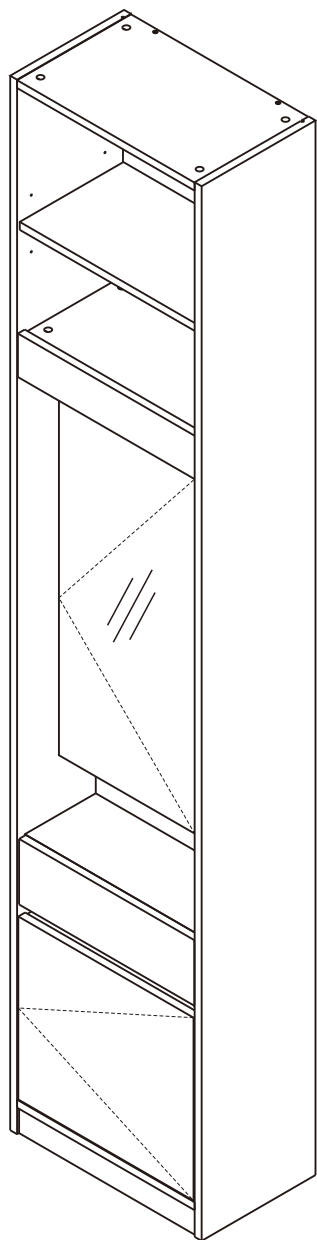
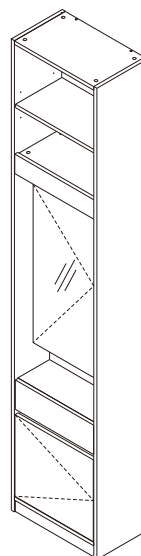


# SUPREME

Stand Dressing Cabinet W50 cm.

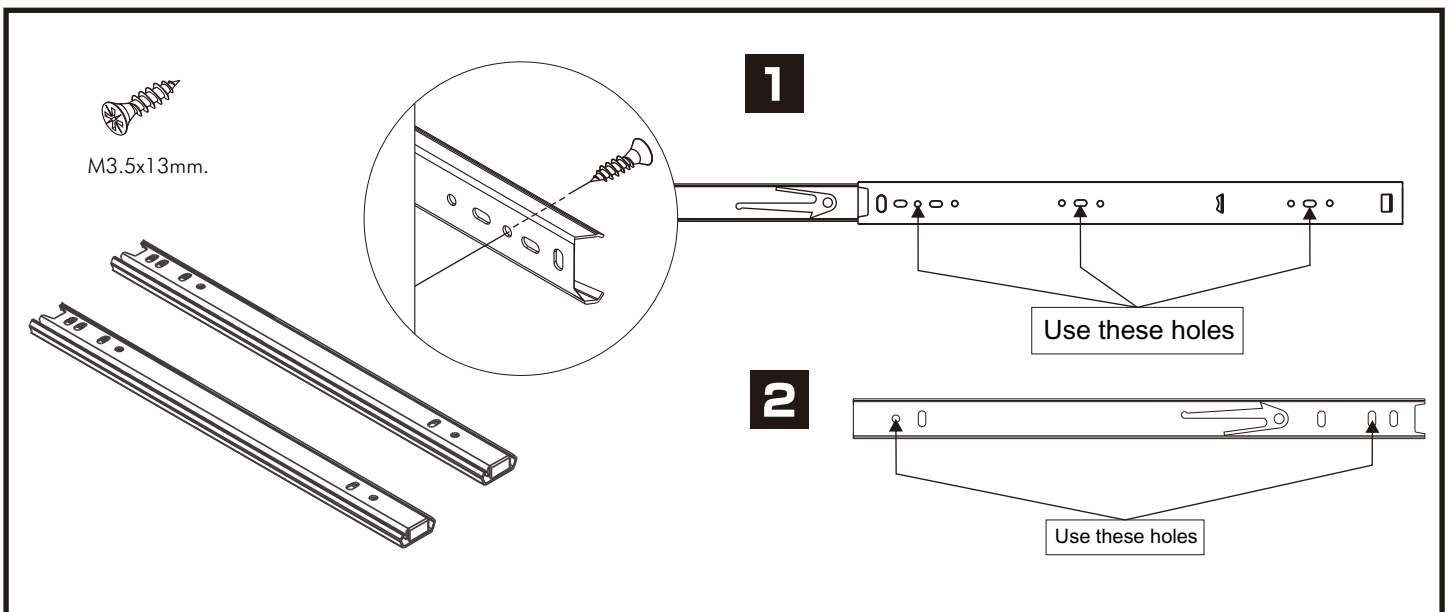
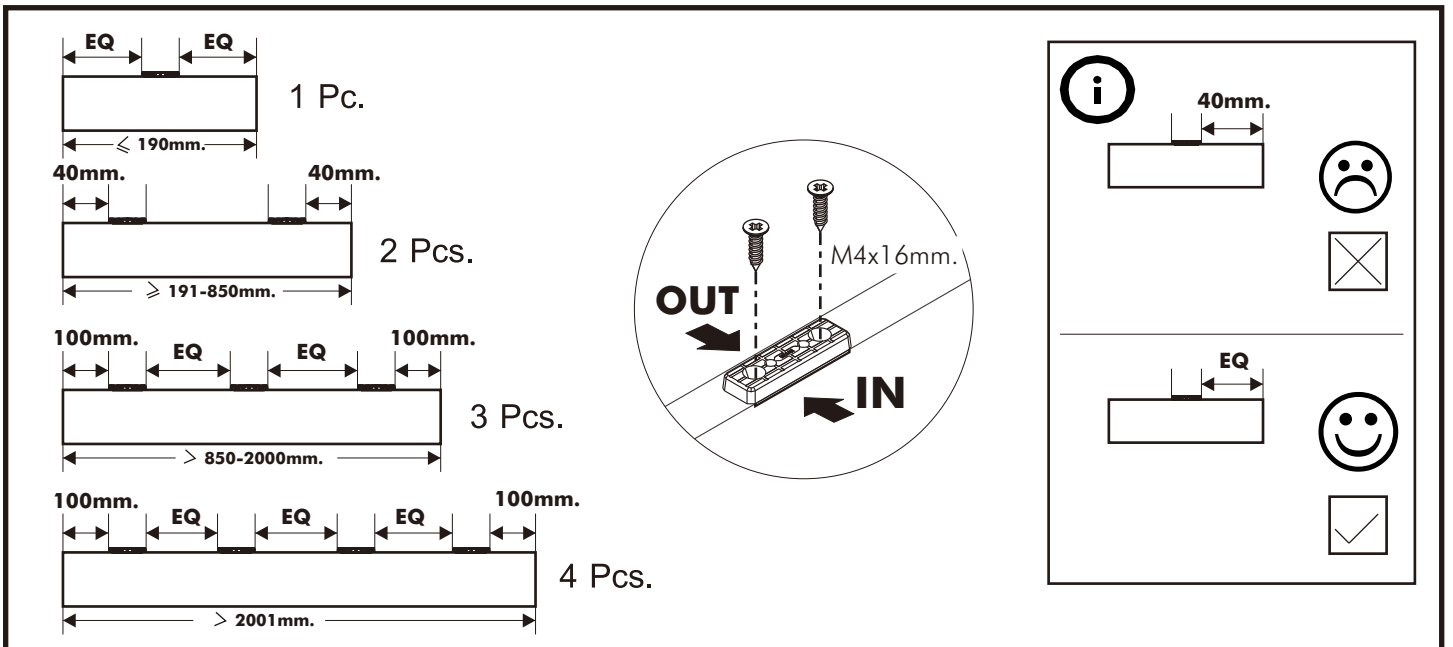
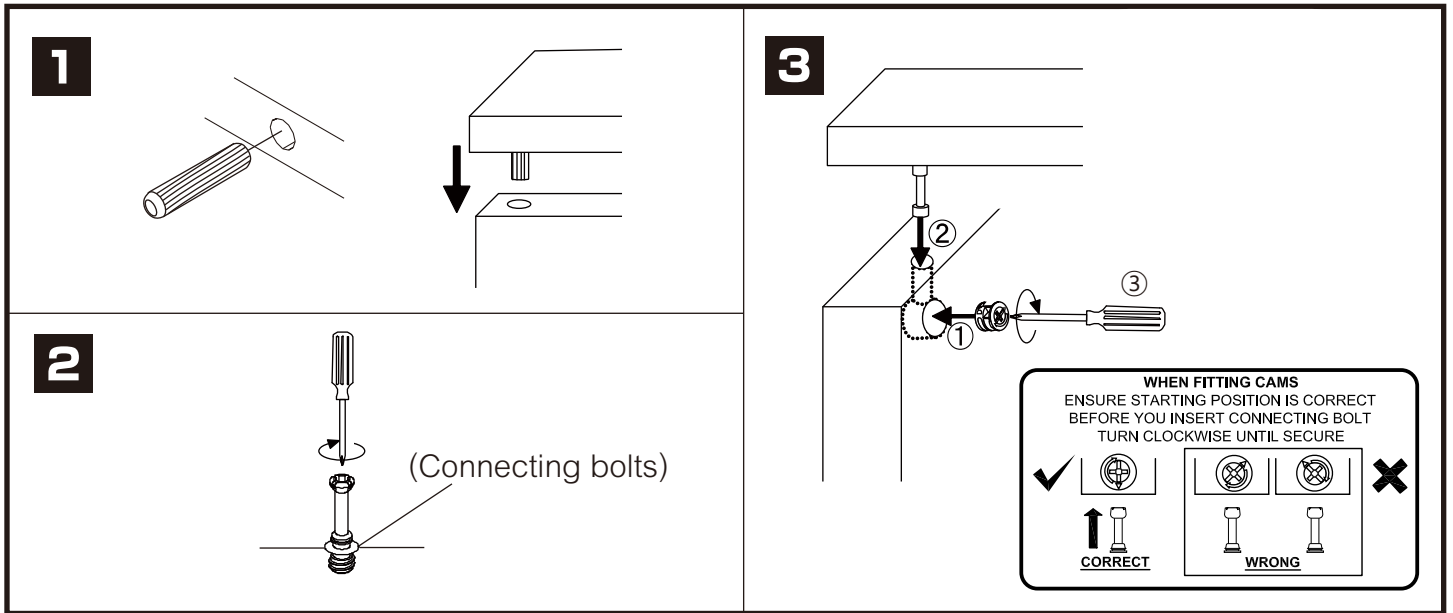


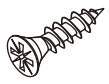
**L**



**R**

# CONNECT SYSTEM

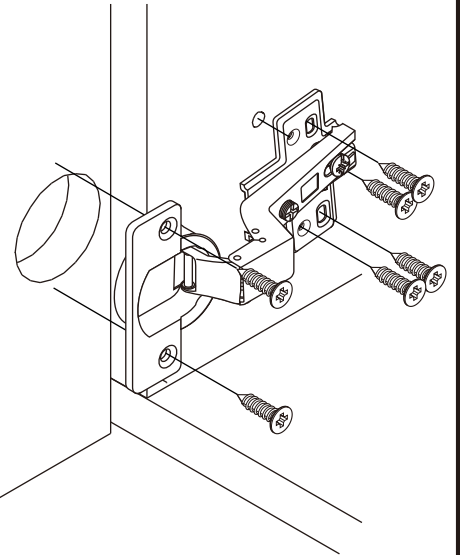
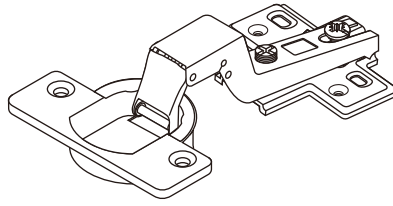
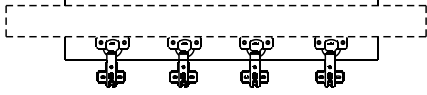




M4x16mm.

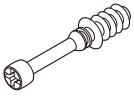


DOOR PANEL



# HARDWARE

## -BODY SET



**x 16**

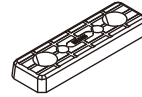


**x 16**



8x35mm.

**x 34**



**x 8**

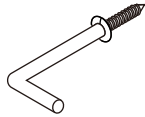


**x 10**

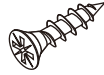


M3.5x20mm.

**x 10**

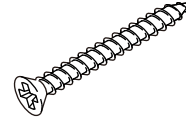


**x 5**



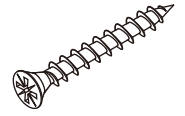
M4x16mm.

**x 80**



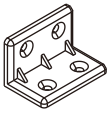
M4x40mm.

**x 4**



M4x30mm.

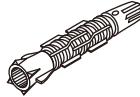
**x 13**



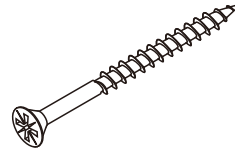
**x 16**



**x 16**



**x 2**



M5x70mm.

**x 2**



Ø11mm.

**x 7**



M4x16mm.

**x 4**

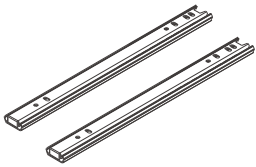


**x 5**



**x 4**

## -DRAWER SET

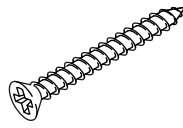


**x 1**



M3.5x13mm.

**x 10**



M4x40mm.

**x 10**



M6x25mm.

**x 2**

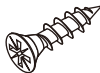


**x 1**

## -DOOR SET



**x 4**



M4x16mm.

**x 24**

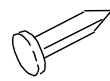


**x 3**

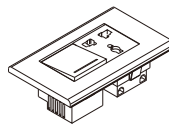
## -LAMP SET



**x 5**



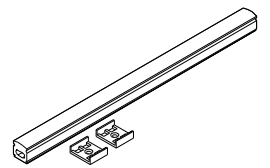
**x 5**



**x 1**



**x 1**



**x 1**



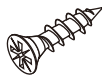
M3.5x13mm.

4 **x 2**



#5x5/8"

**x 1**



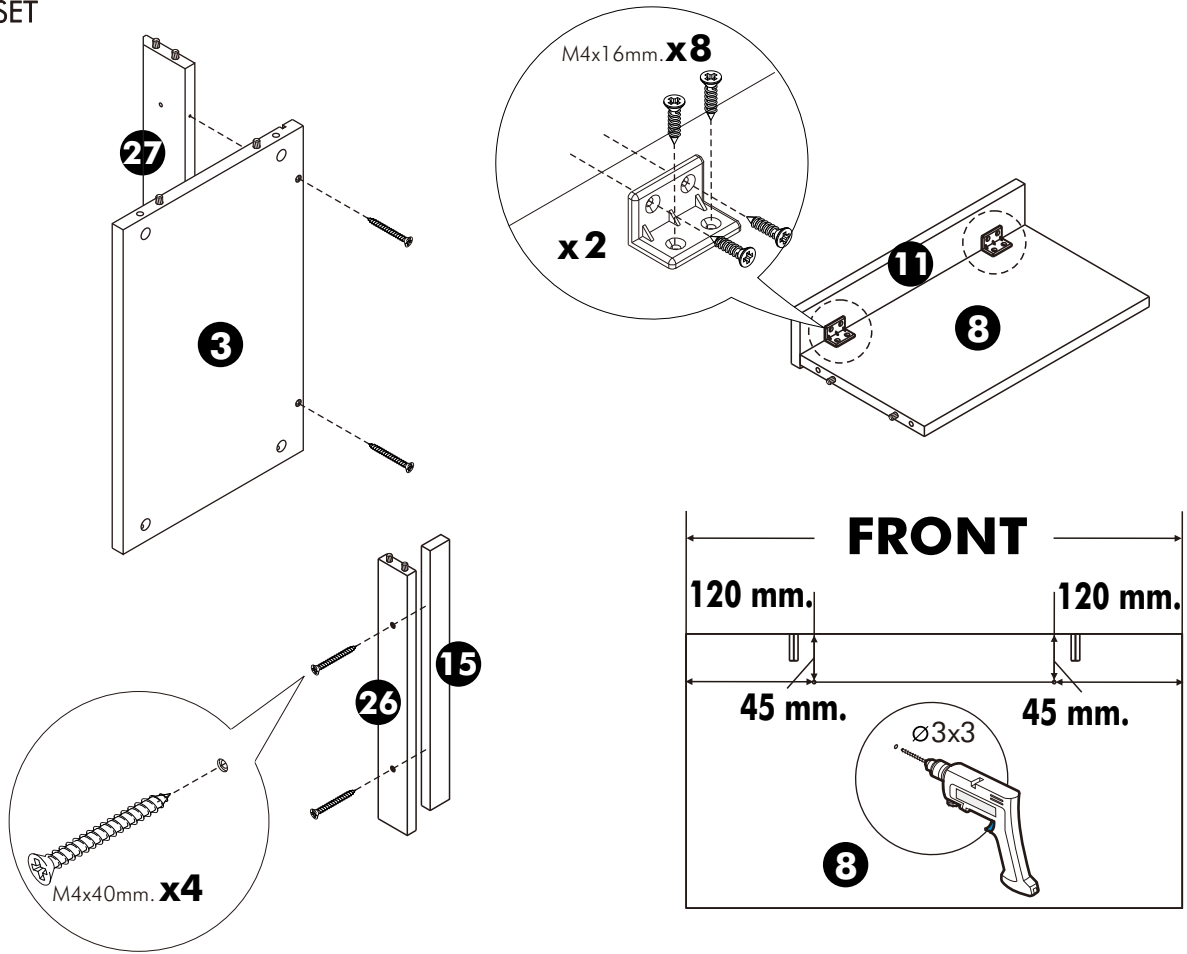
M4x16mm.

**x 4**

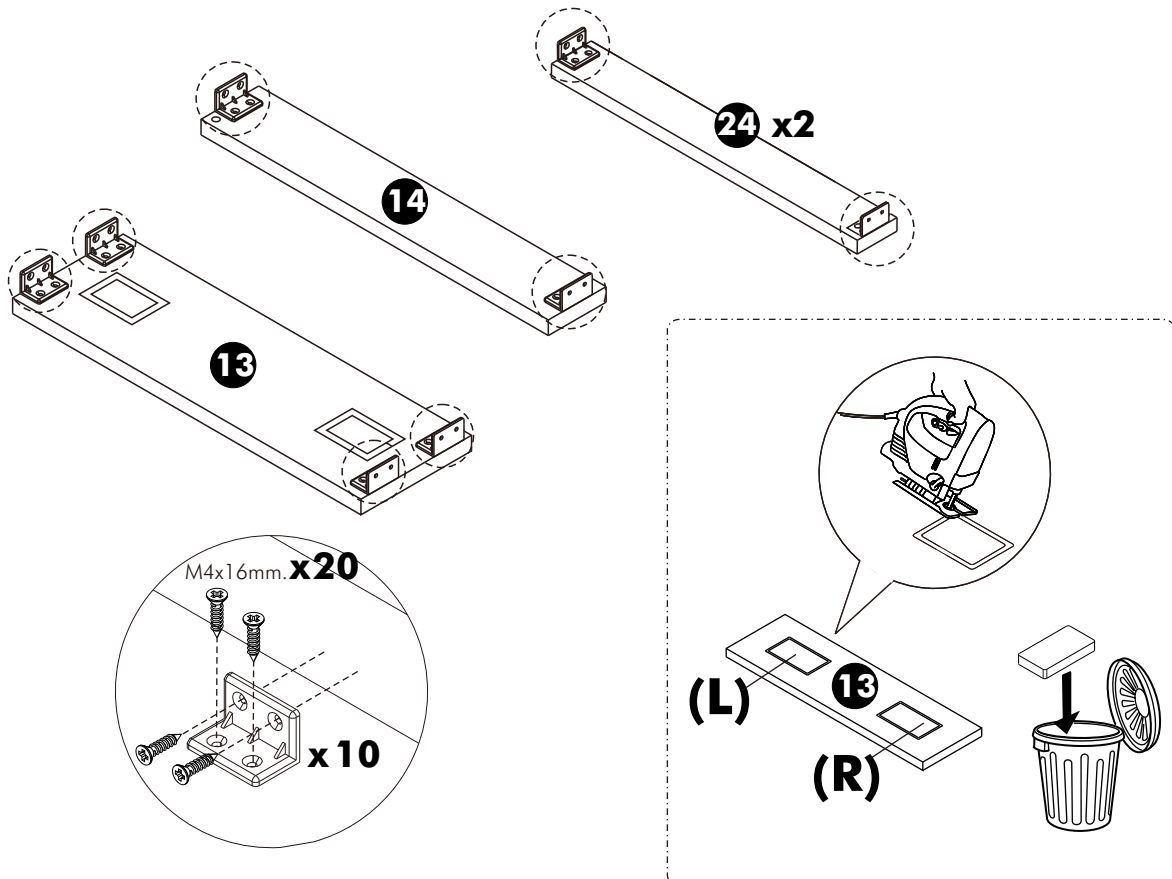
# ASSEMBLY

-BODY SET

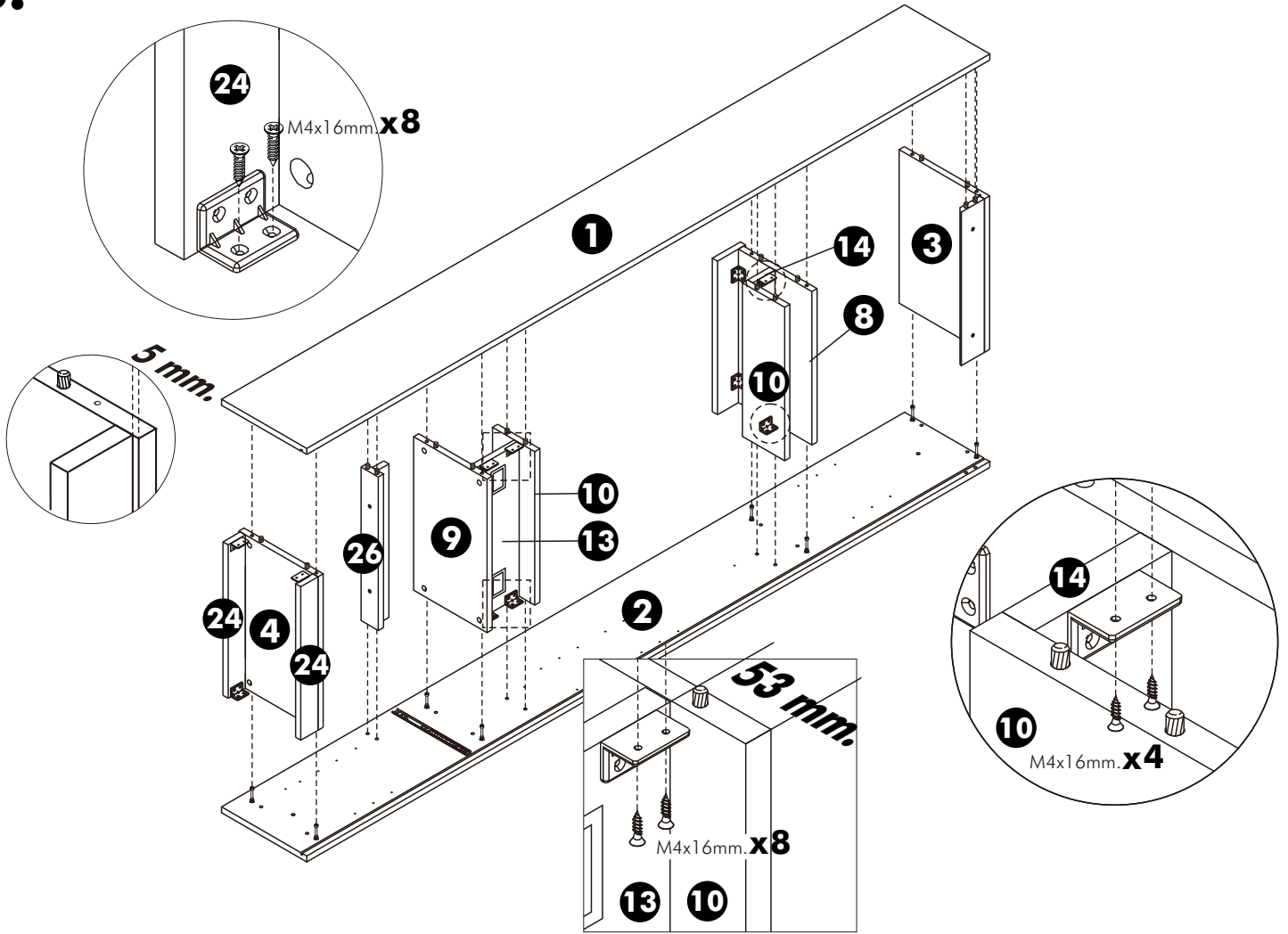
## 1.



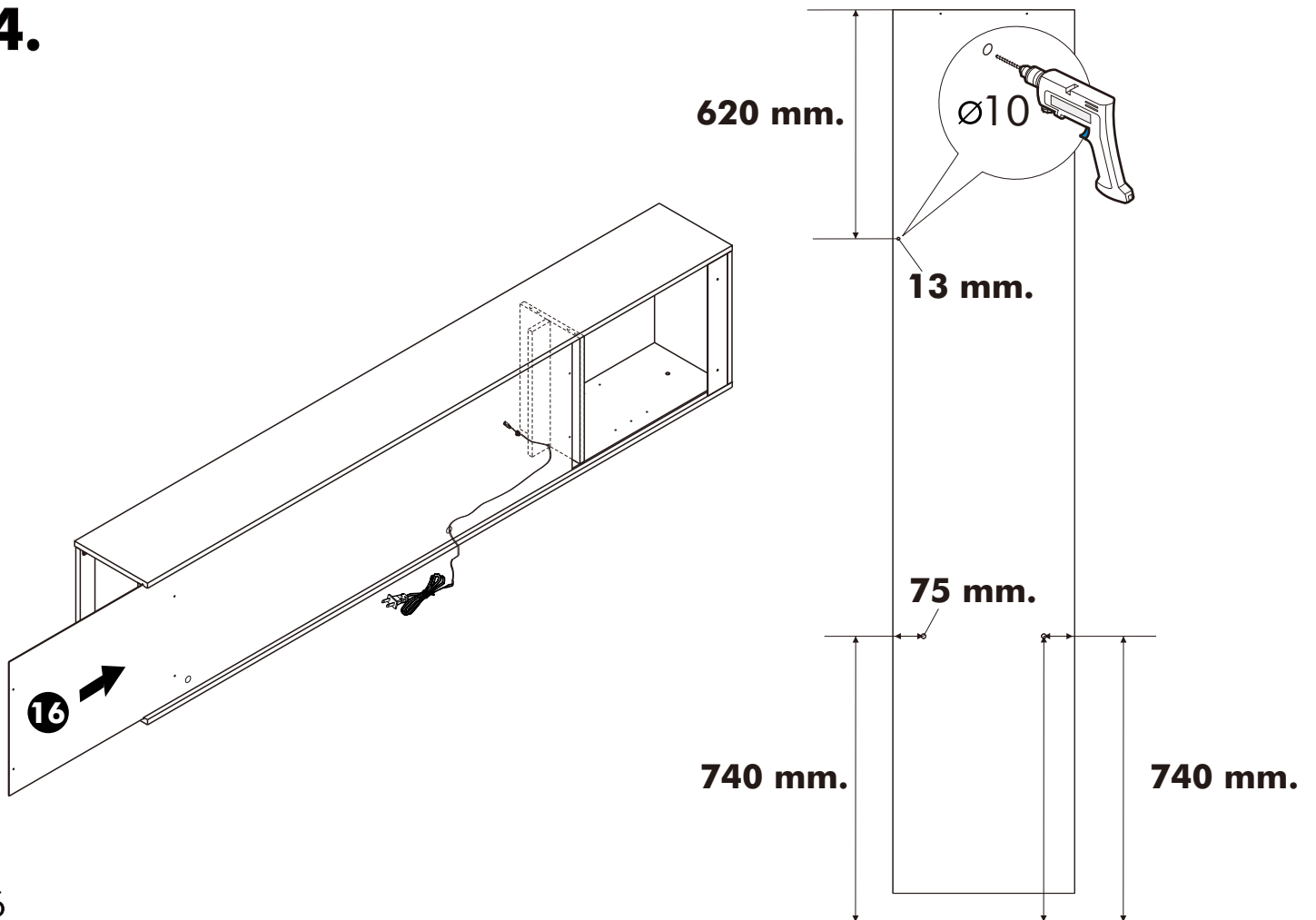
## 2.



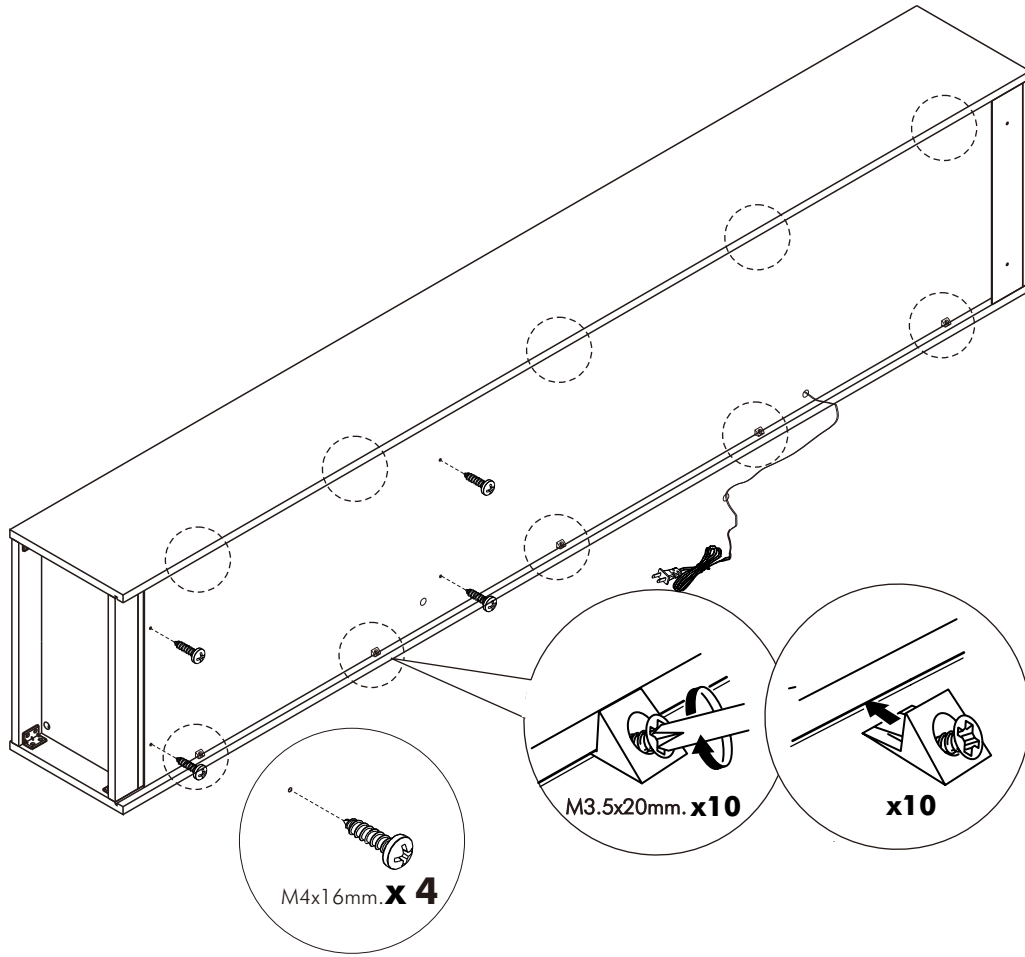
**3.**



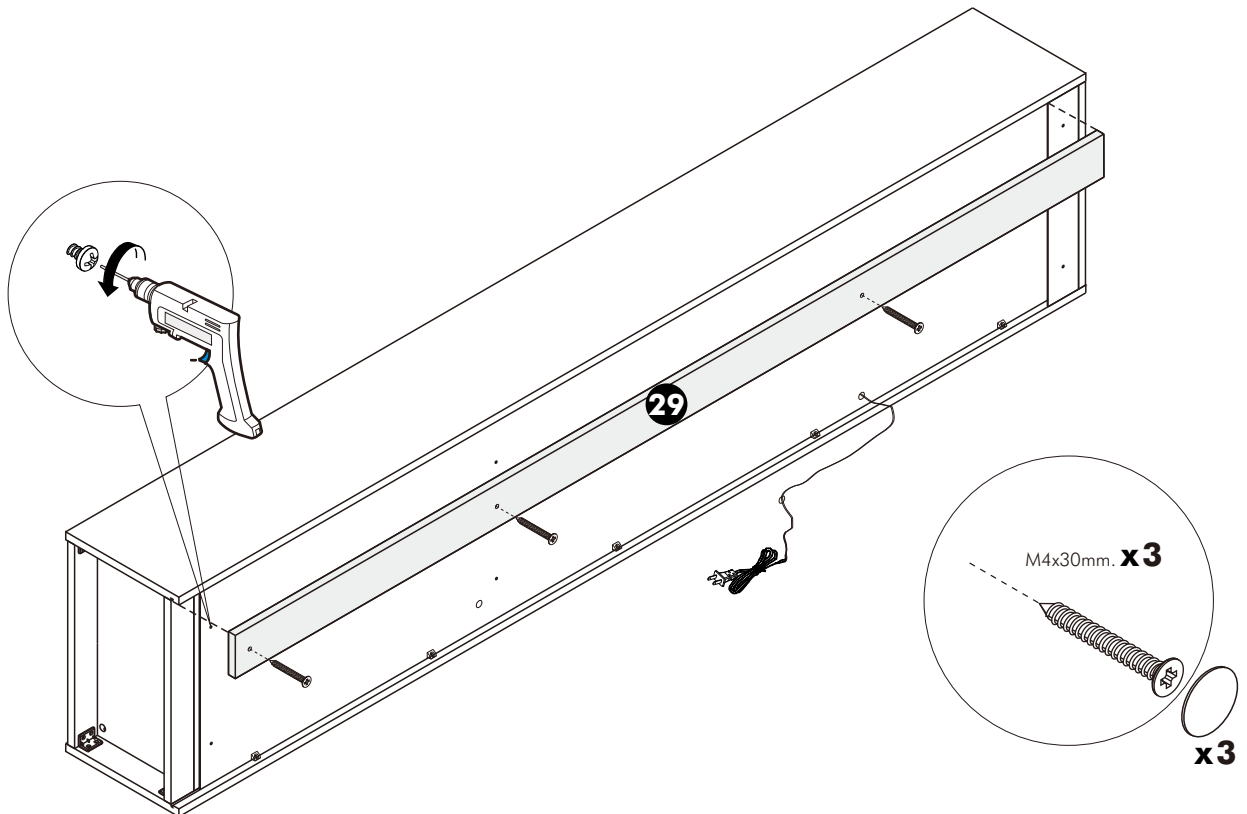
**4.**



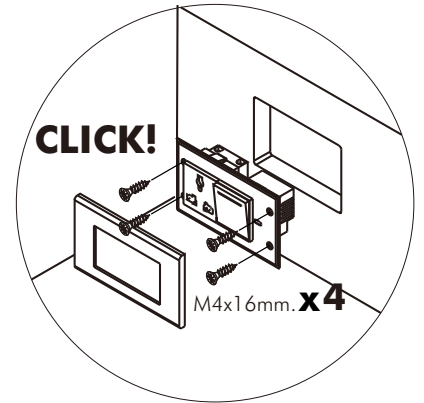
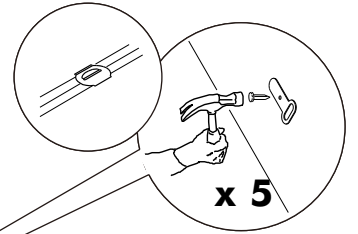
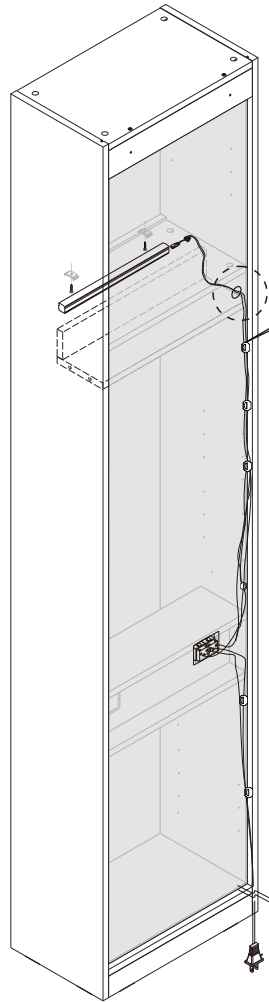
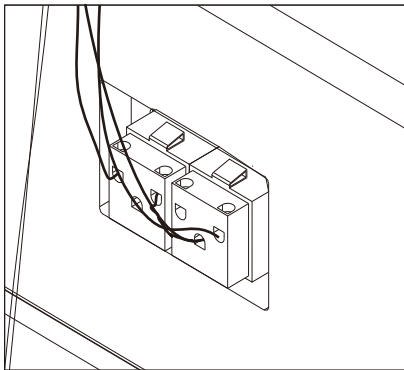
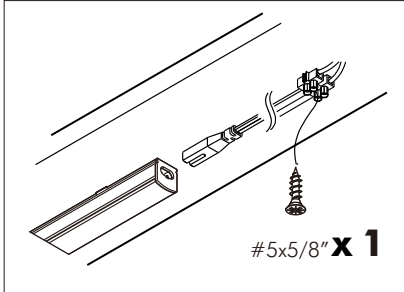
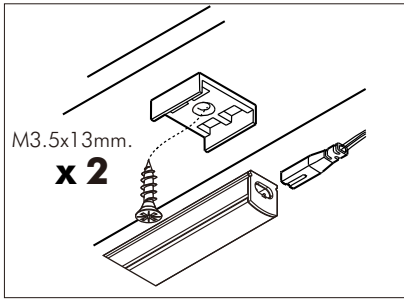
**5.**



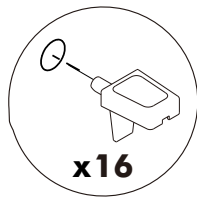
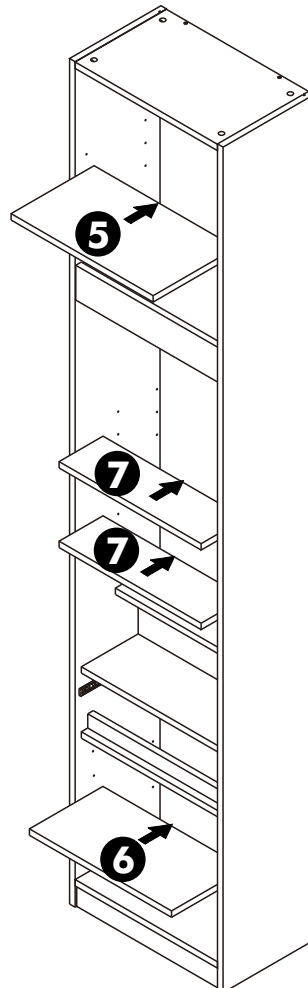
**6.**



**7.**

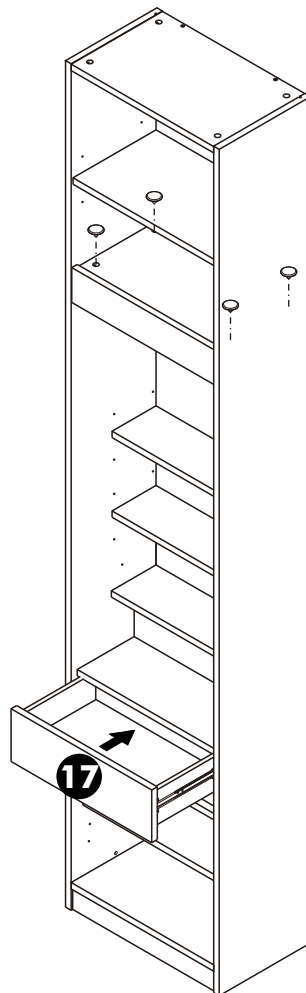
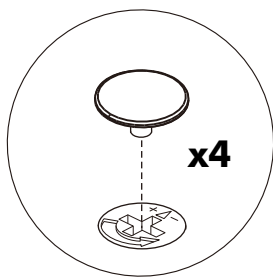
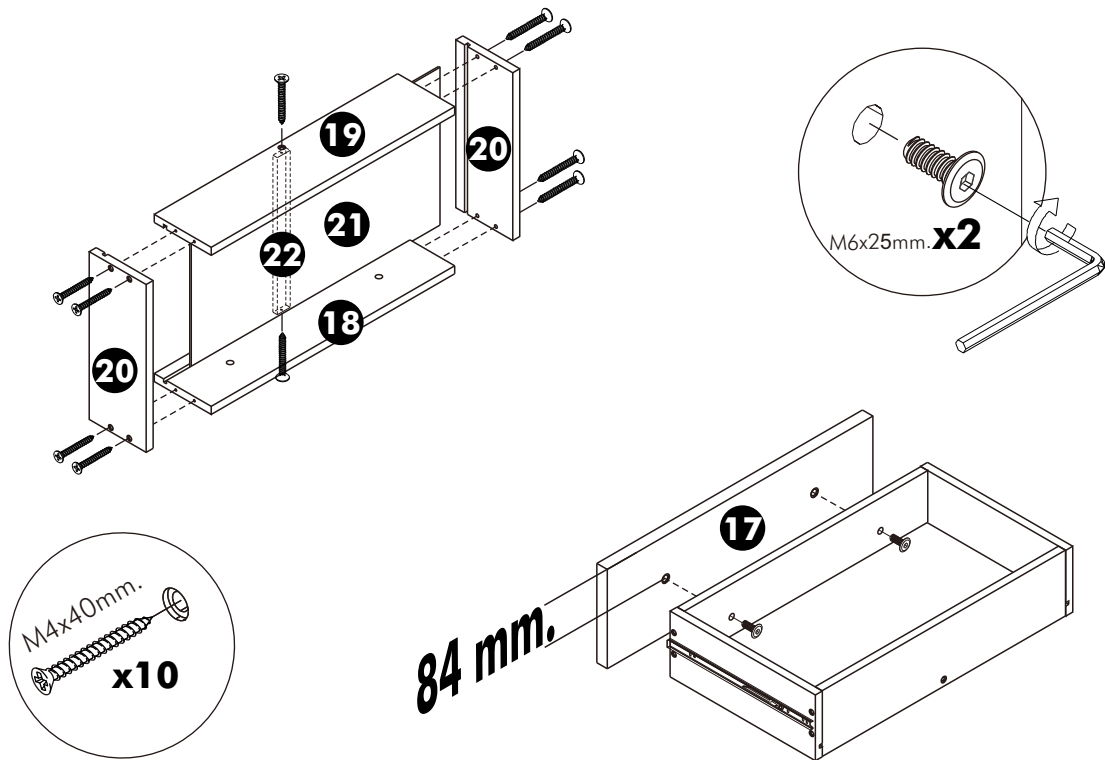


**8.**



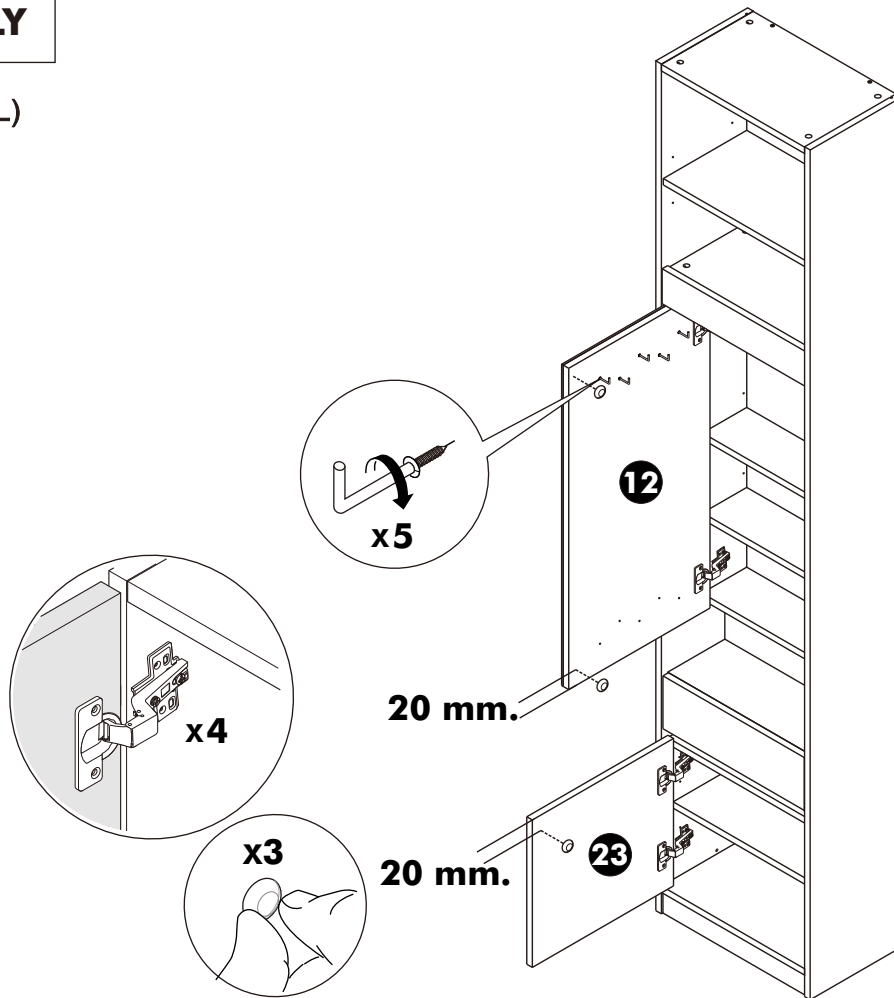
# ASSEMBLY

-DRAWER SET



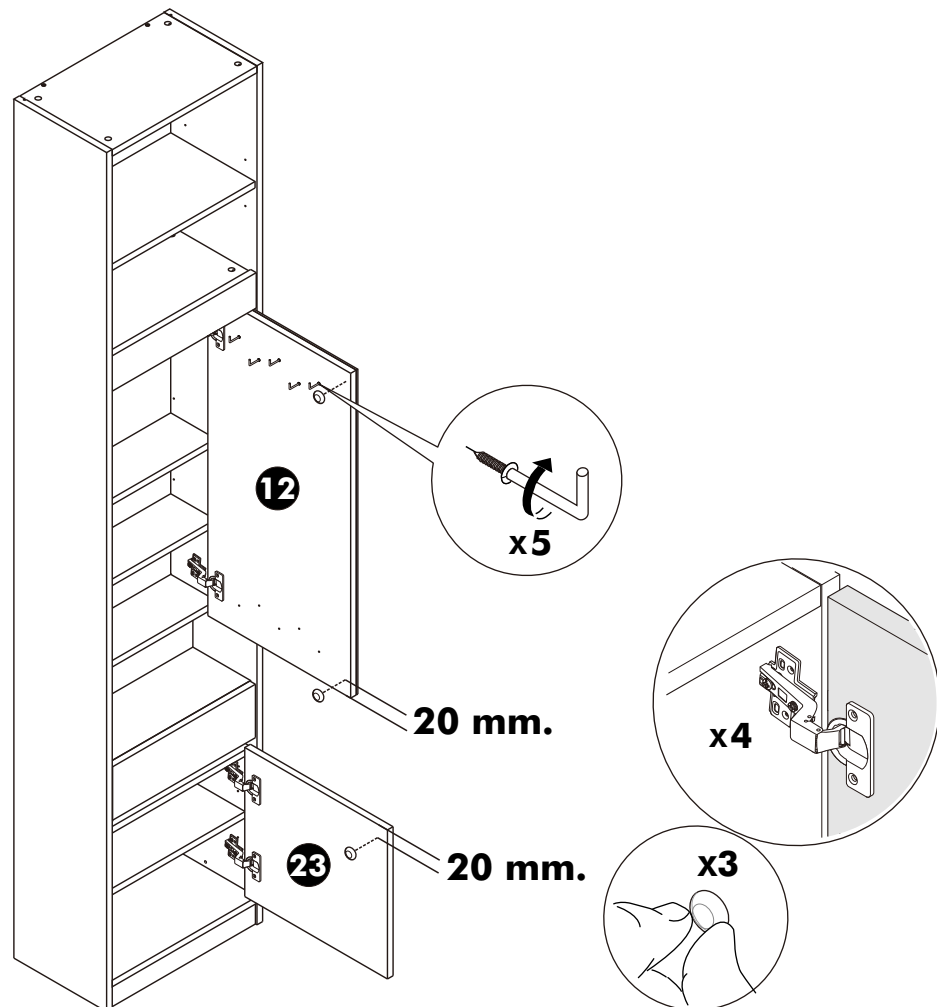
# ASSEMBLY

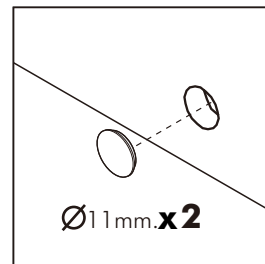
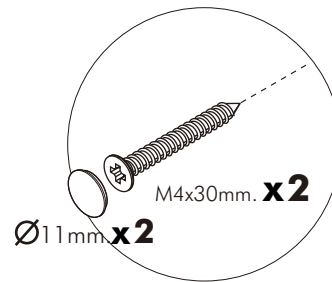
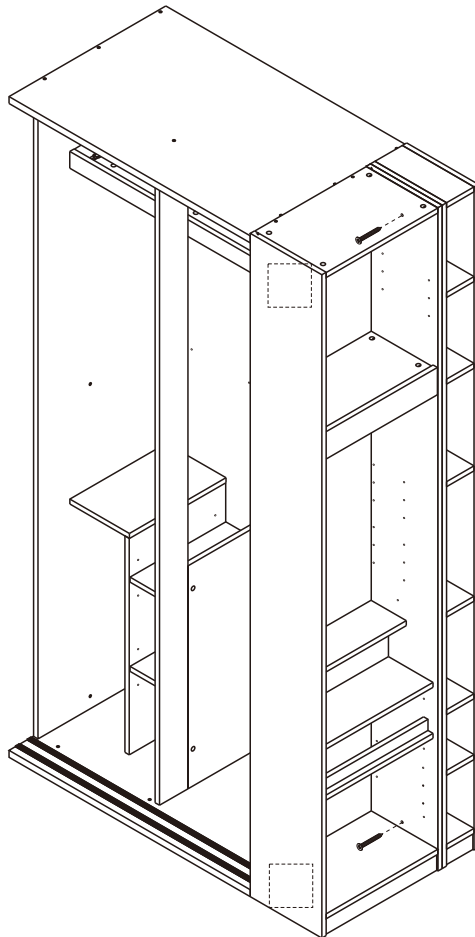
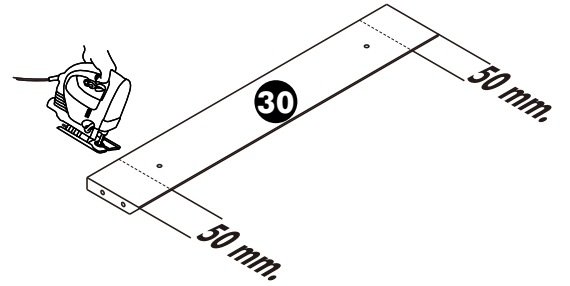
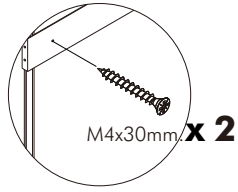
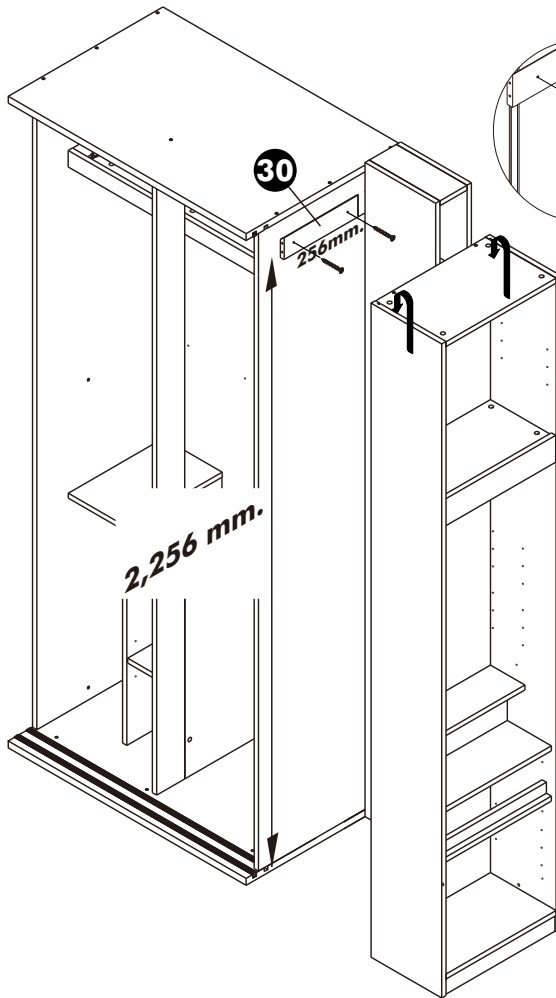
-DOOR SET(L)

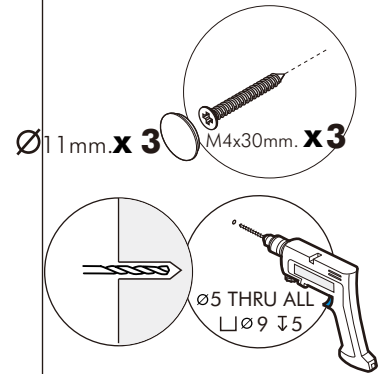
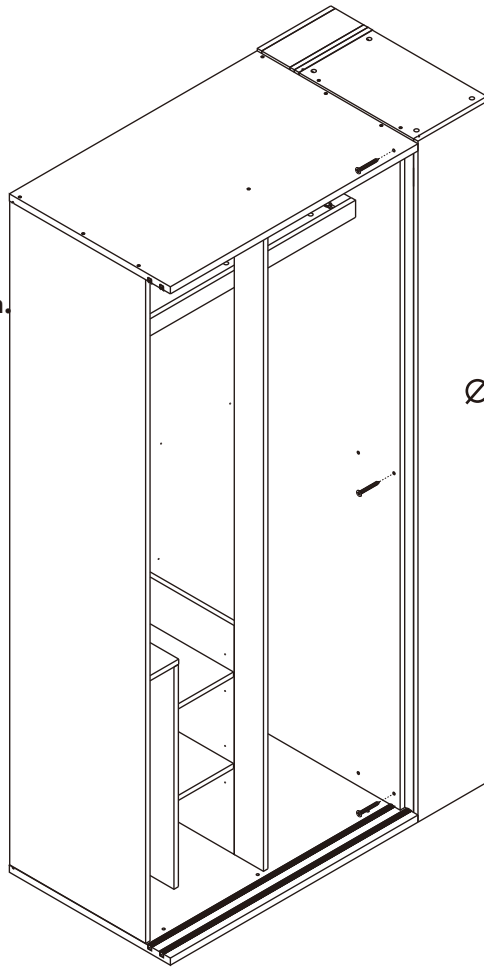
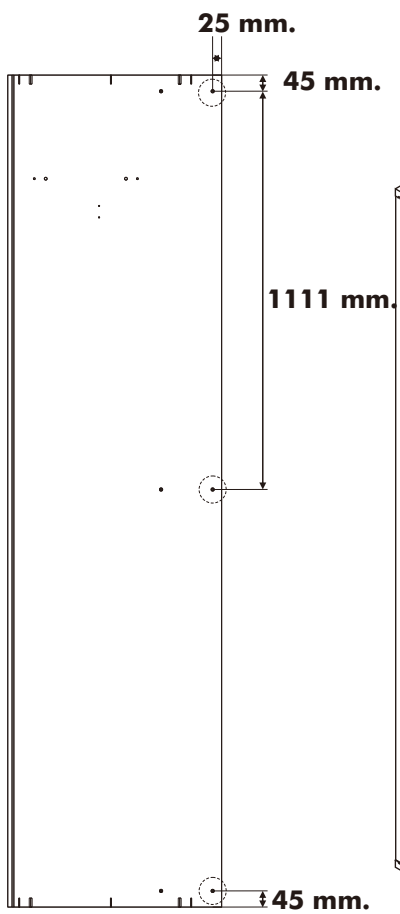


# ASSEMBLY

-DOOR SET(R)

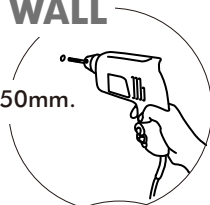




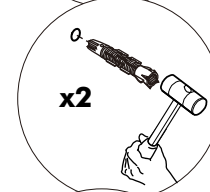


WALL

Ø7x50mm.



x2



M5x70mm. x2

