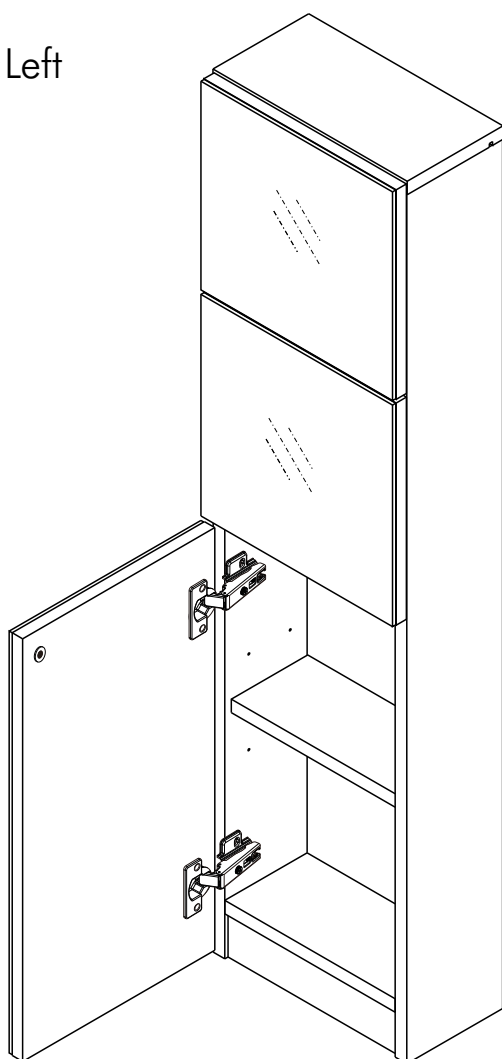


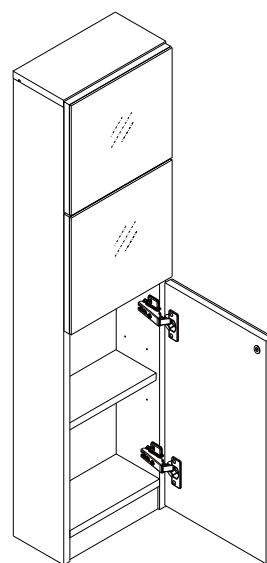
SUPREME

Night Table/A

Type:Left



Type:Right



CONNECT SYSTEM

1

2

3

WHEN FITTING CAMS
ENSURE STARTING POSITION IS CORRECT
BEFORE YOU INSERT CONNECTING BOLT
TURN CLOCKWISE UNTIL SECURE

 <input checked="" type="checkbox"/>	 <input type="checkbox"/>	 <input type="checkbox"/>	
 <input checked="" type="checkbox"/>	 <input type="checkbox"/>	 <input type="checkbox"/>	
 CORRECT	 WRONG	 WRONG	

1 Pc.

EQ EQ

≤ 190mm.

40mm. 40mm.

2 Pcs.

≥ 191-850mm.

100mm. EQ EQ 100mm.

3 Pcs.

> 850-2000mm.

100mm. EQ EQ EQ 100mm.

4 Pcs.

> 2001mm.

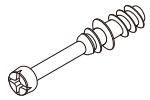
i

40mm.

EQ

HARDWARE

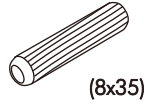
-BODY SET



x 10



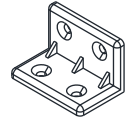
x 10



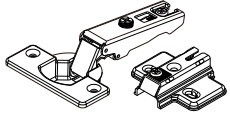
x 24



x 2



x 5

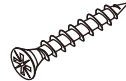


x 2



M4x16mm.

x 38

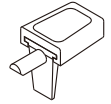


M4x30mm.

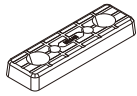
x 5



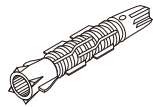
x 3



x 4

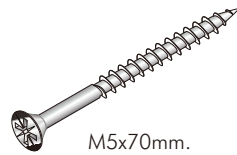


x 3



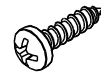
#UP-745

x 2



M5x70mm.

x 2

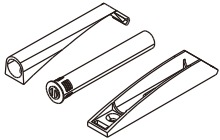


M4x16mm.

x 4



x 2



x 2



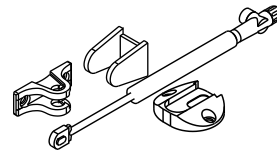
#5x5/8"

x 4

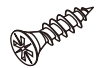


#5x1/2"

x 2

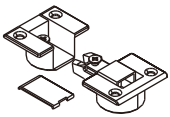


x 1



#6x5/8"

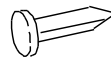
x 12



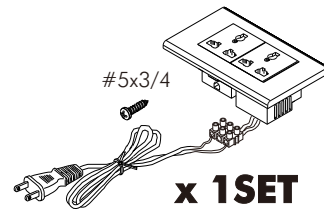
x 2



x 5

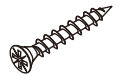


x 5



#5x3/4

x 1SET

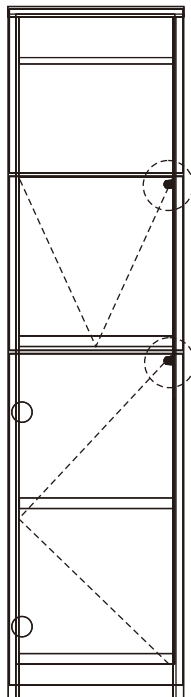


M4x20mm.

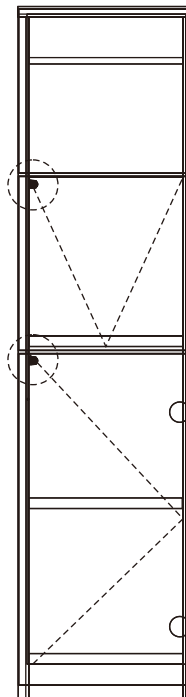
x 8



(L)



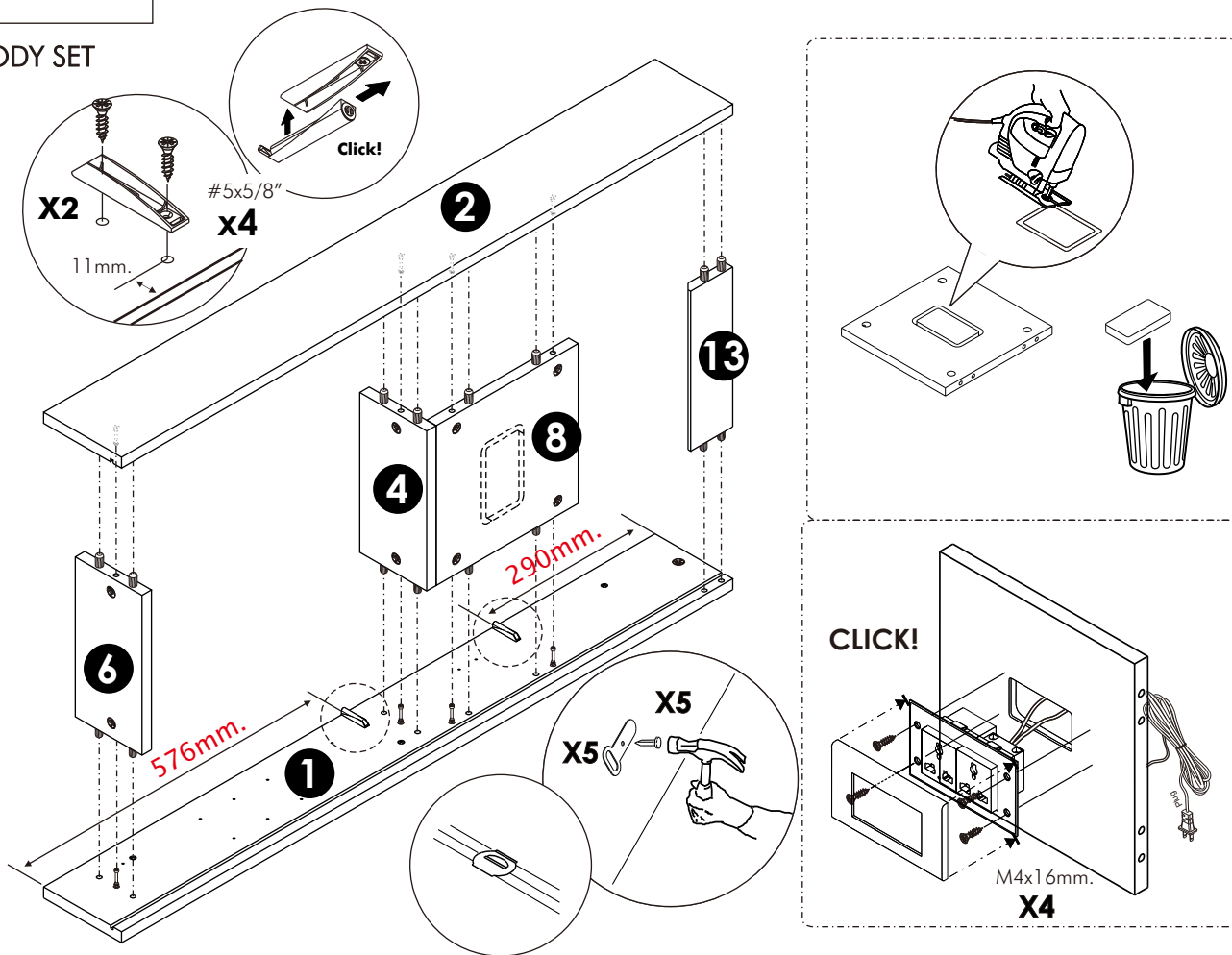
(R)



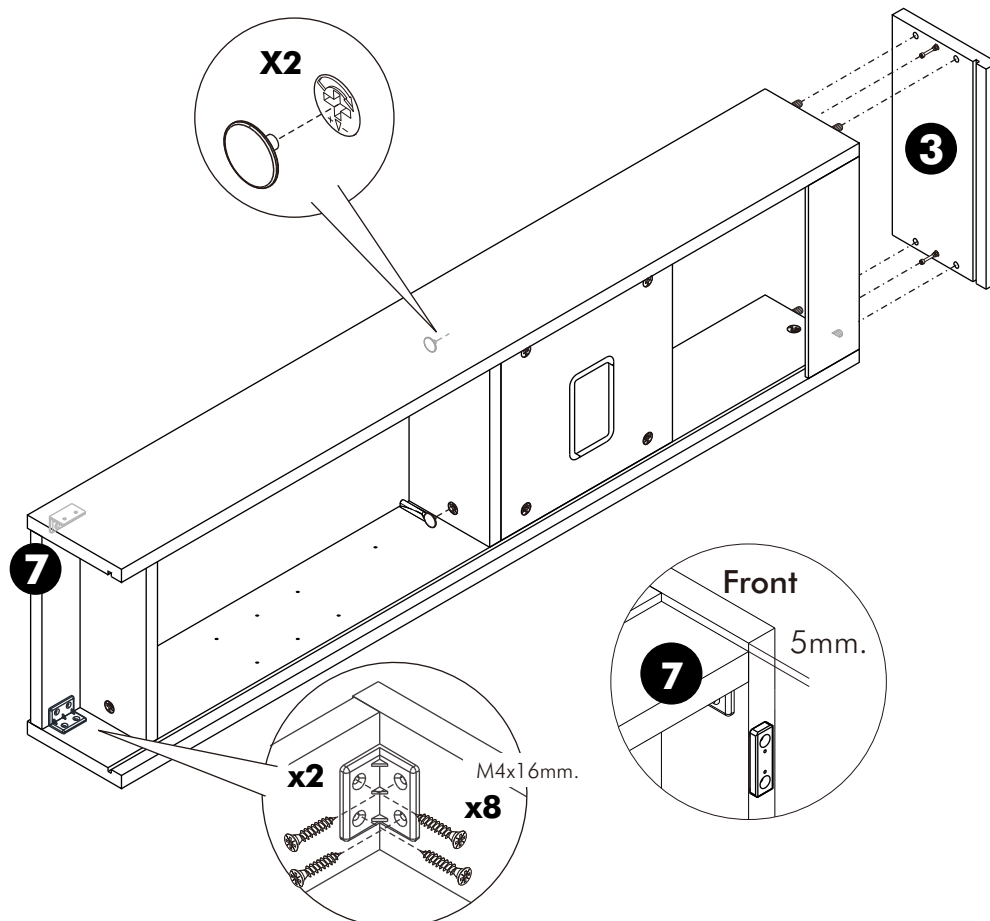
ASSEMBLY

-BODY SET

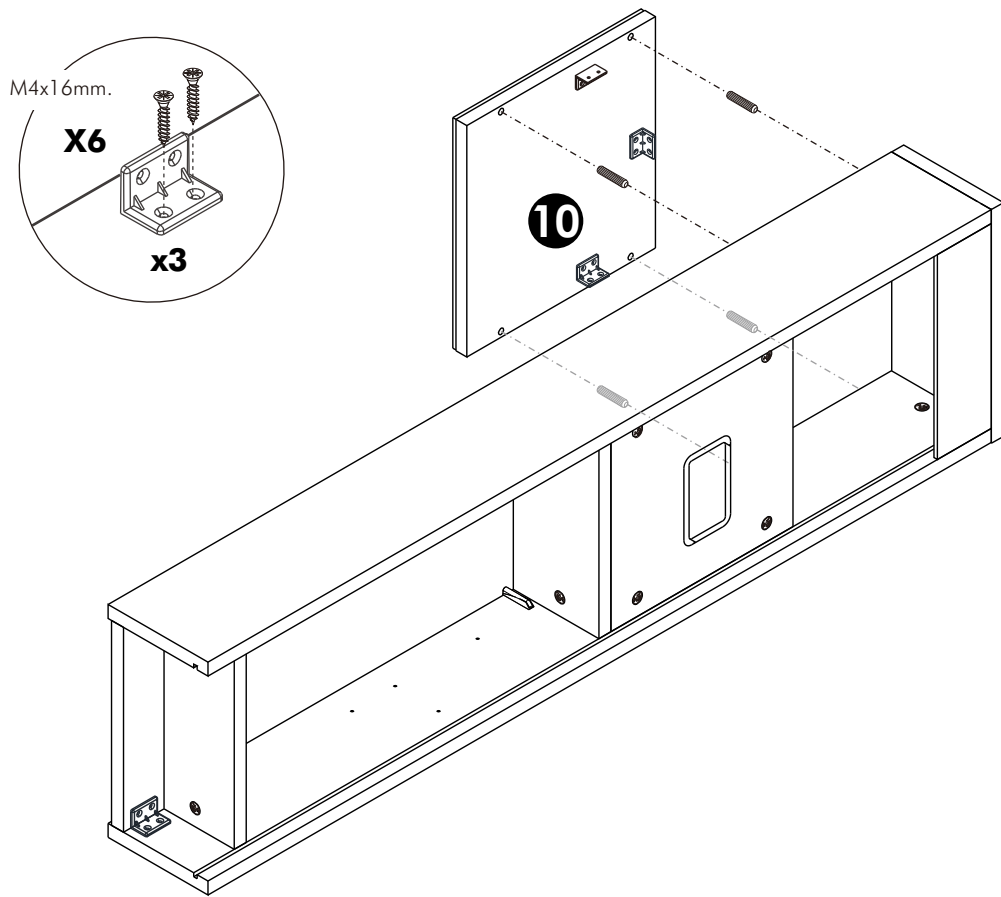
1.



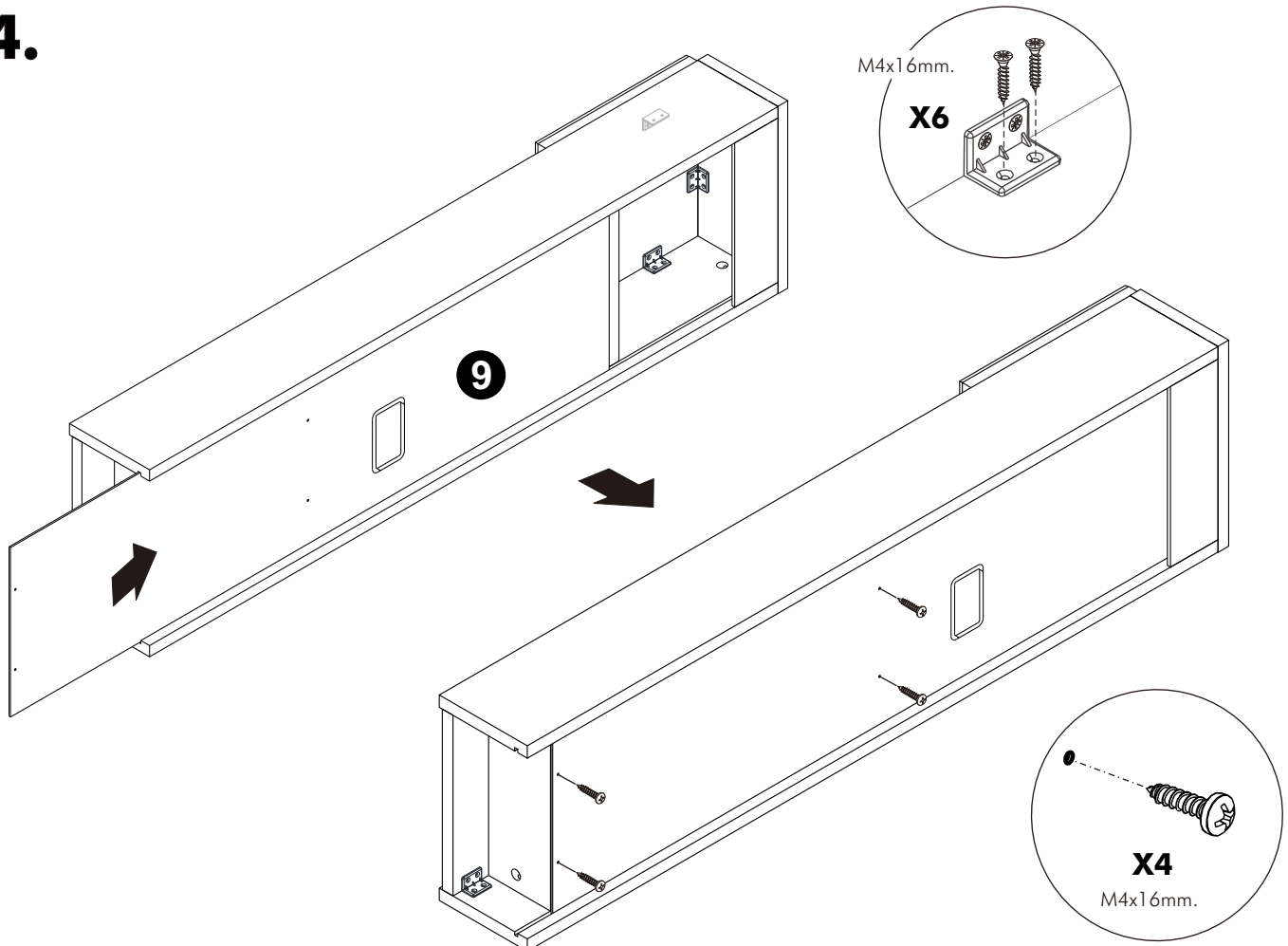
2.



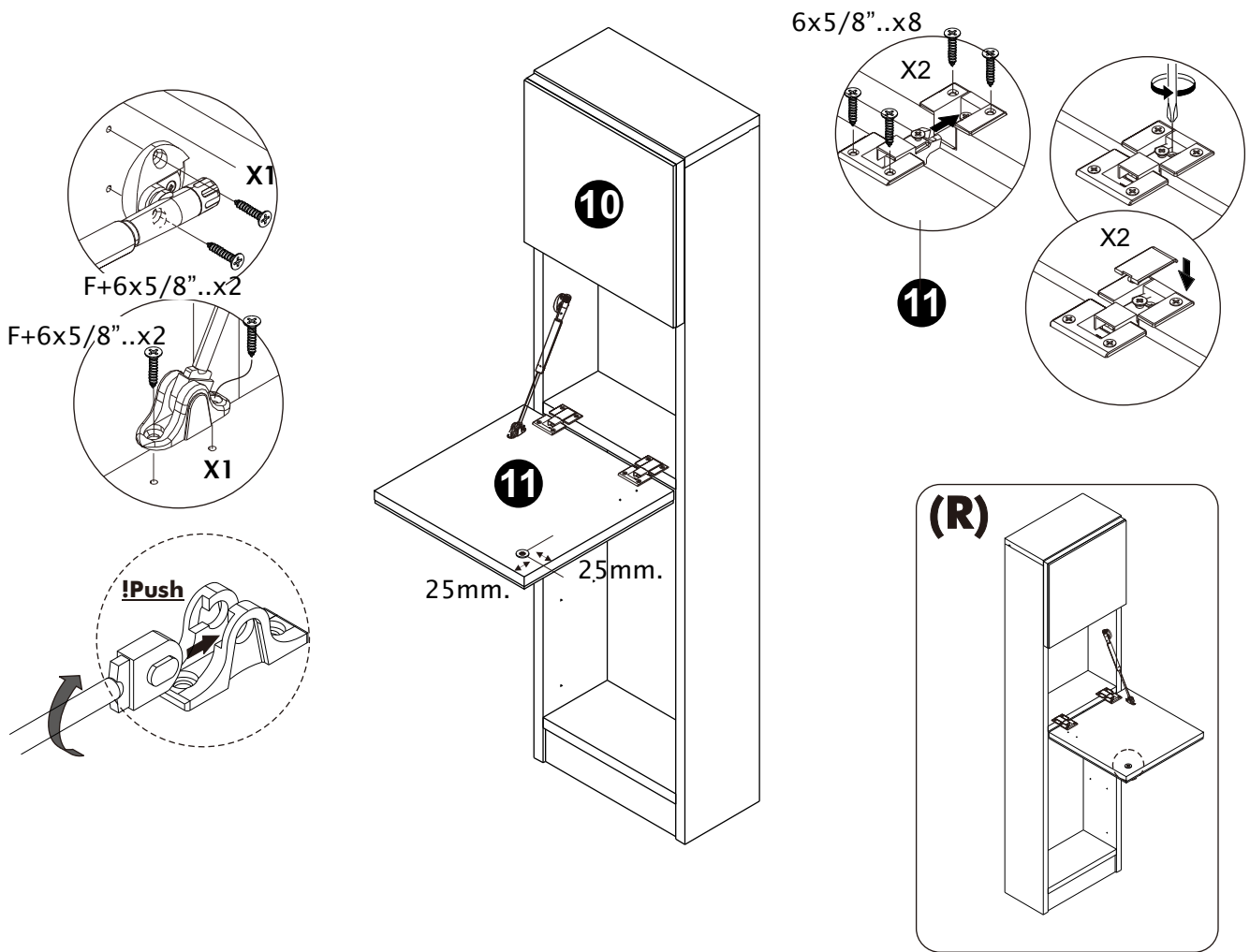
3.



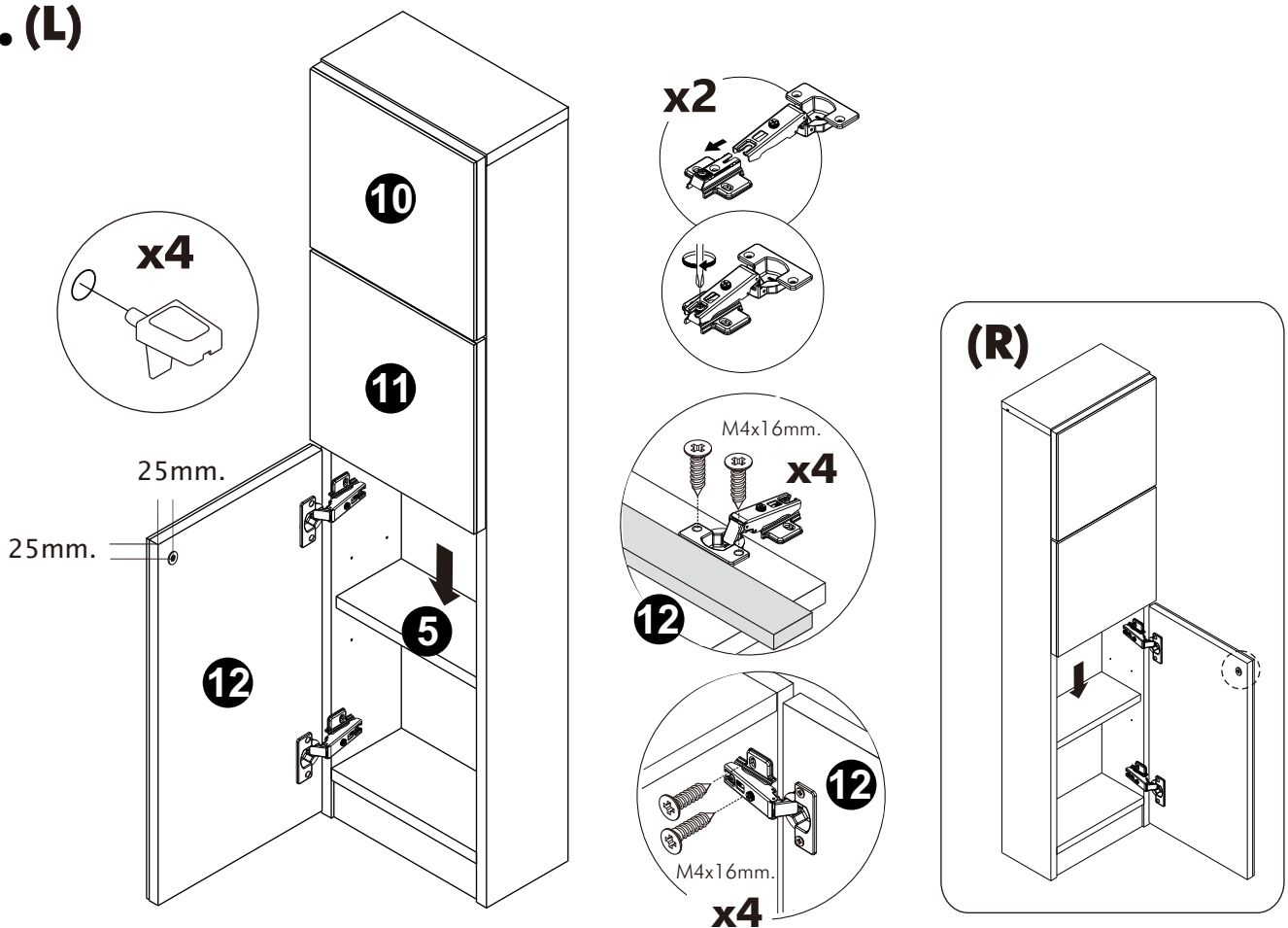
4.



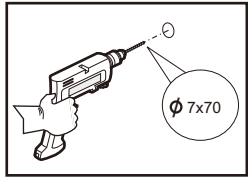
5. (L)



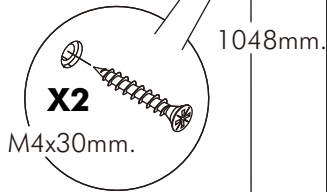
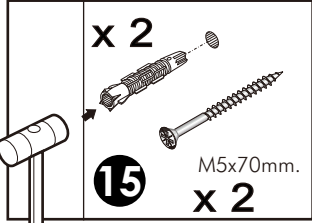
6. (L)



7. Function:1



น๊อตพลาสติกคอนกรีต(ผนังคอนกรีต)



(L)

14

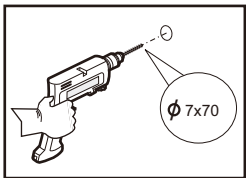
15

1048mm.

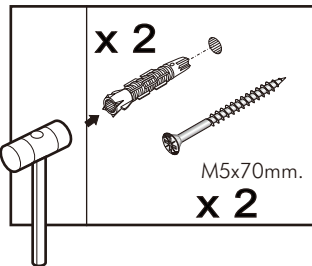
A

(R)

8. Function:2



น๊อตพลาสติกคอนกรีต(ผนังคอนกรีต)

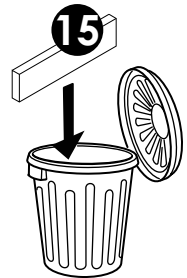


(L)

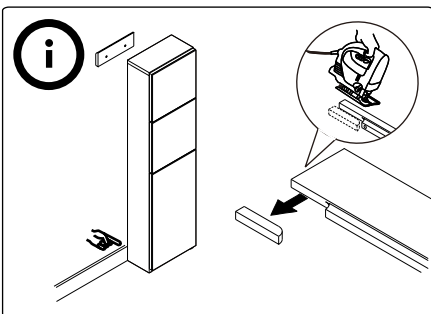
14

1048mm.

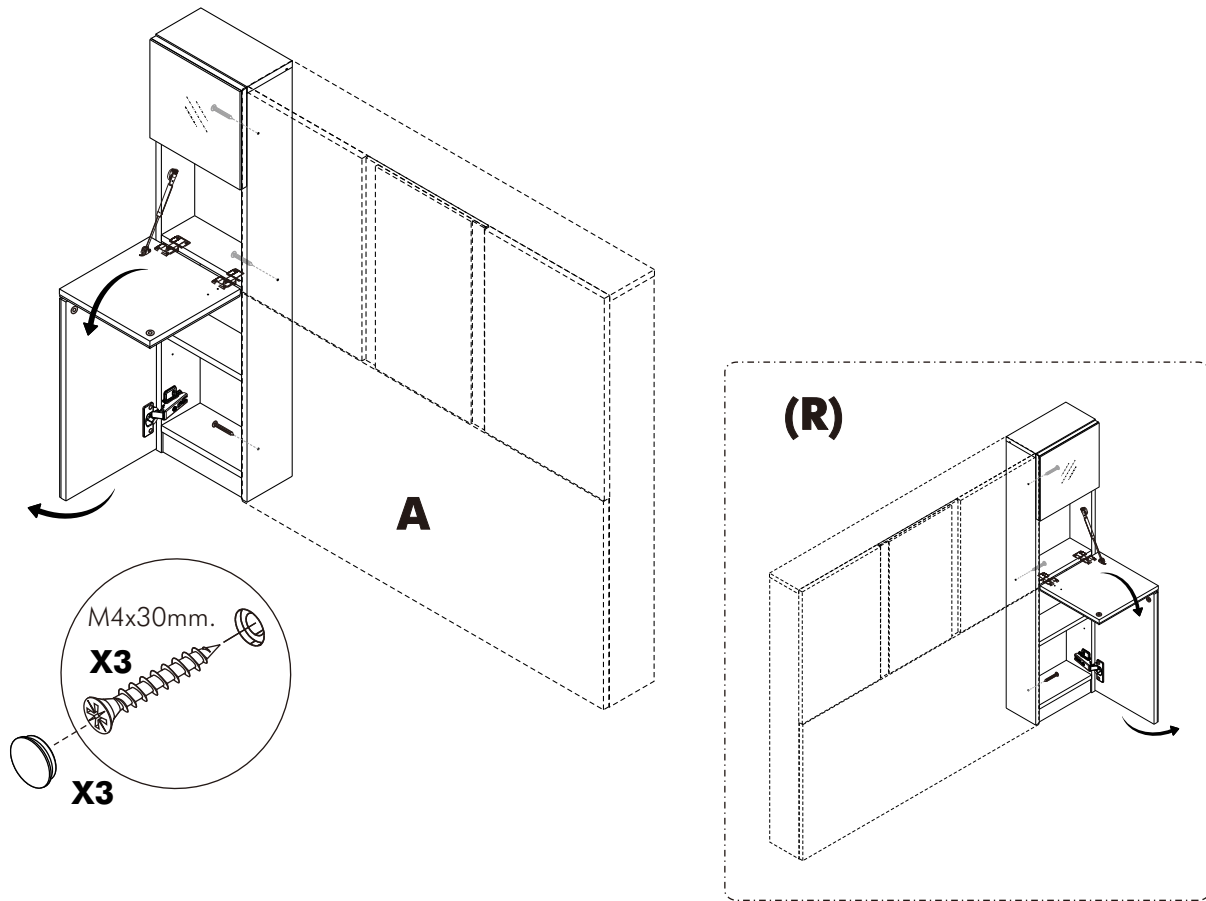
A



(R)



9. (L)



10.

(L)

