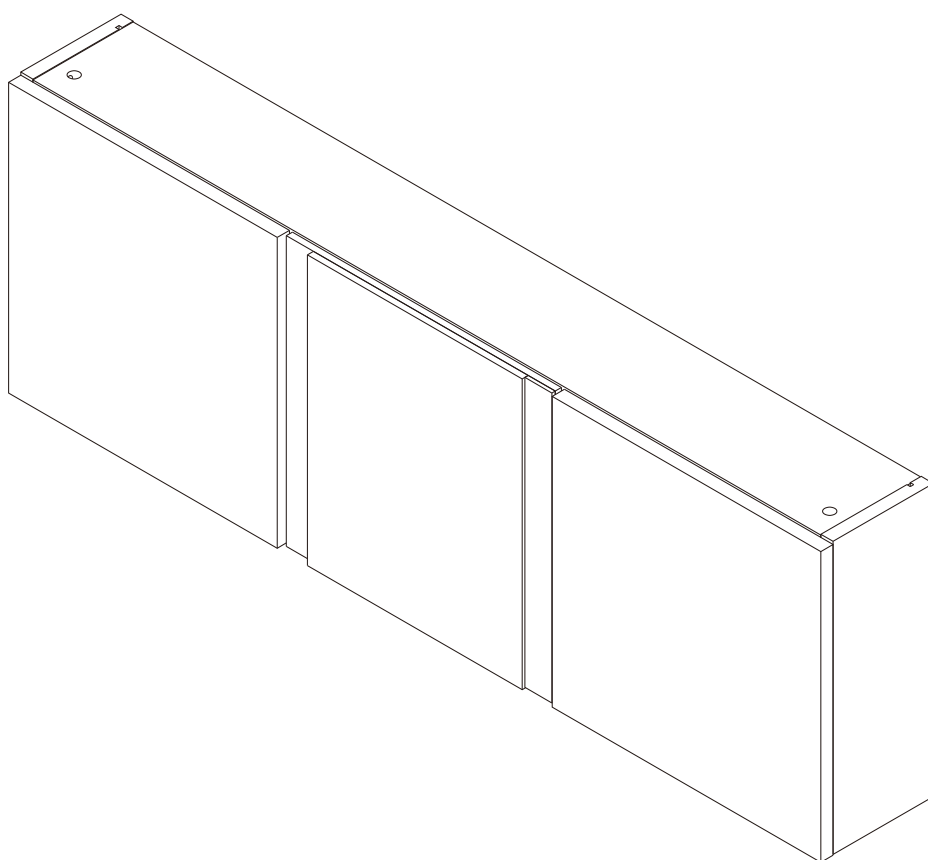


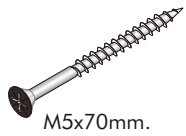
# SUPREME

HEAD BED 3.5 FT. C

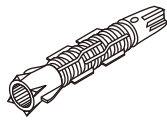


# HARDWARE

-BODY SET



**X 8**



**X 8**



**X 6**

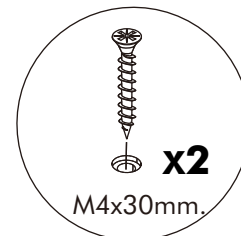
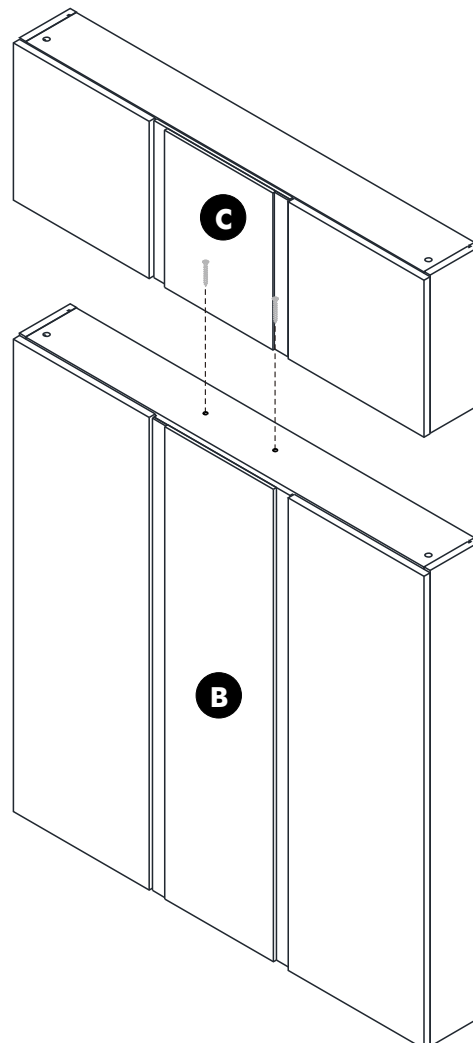


**X 6**

# ASSEMBLY

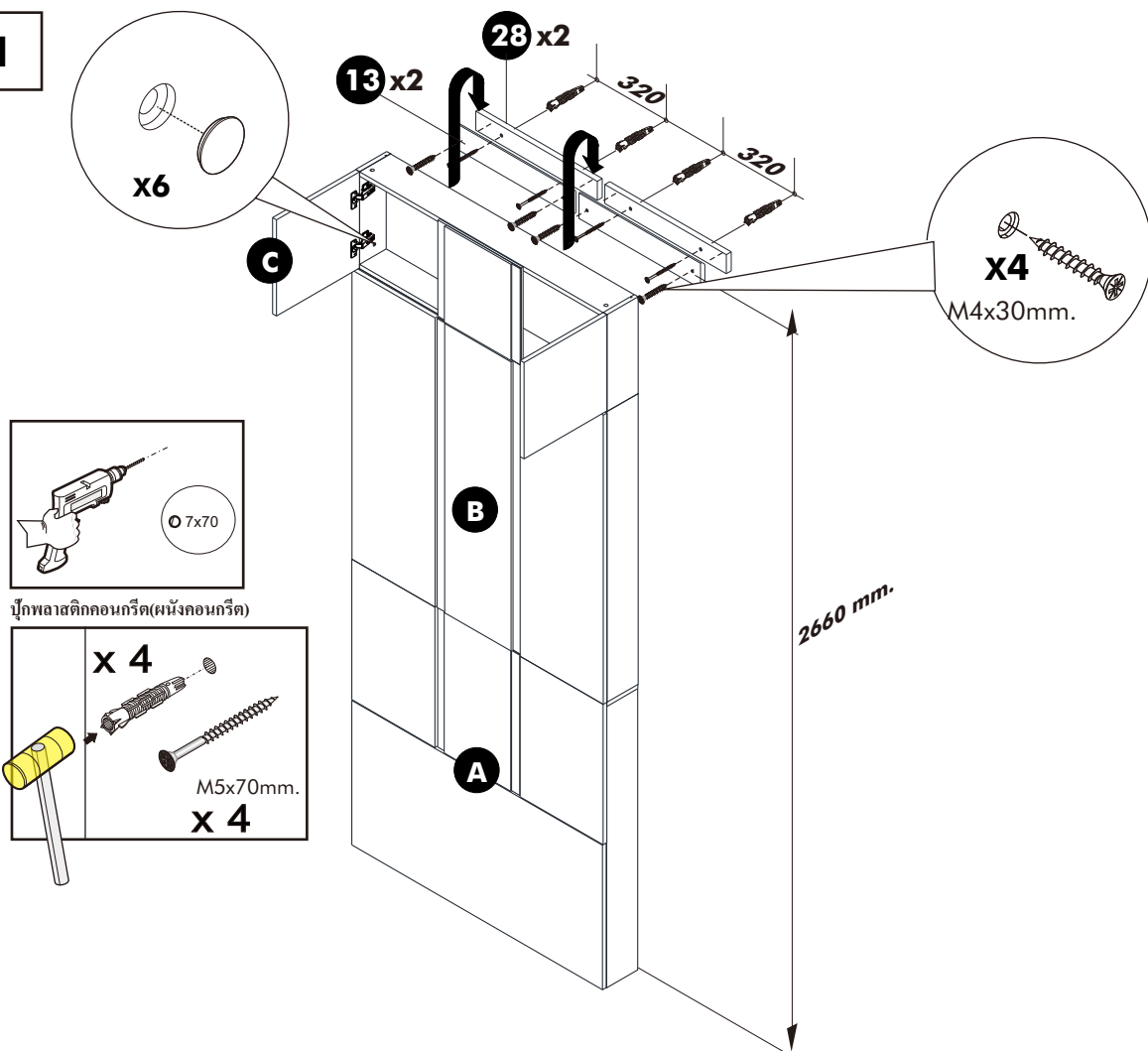
-BODY SET

**1.**



**Function:1**

**2.**



**Function:2**

**3.**

