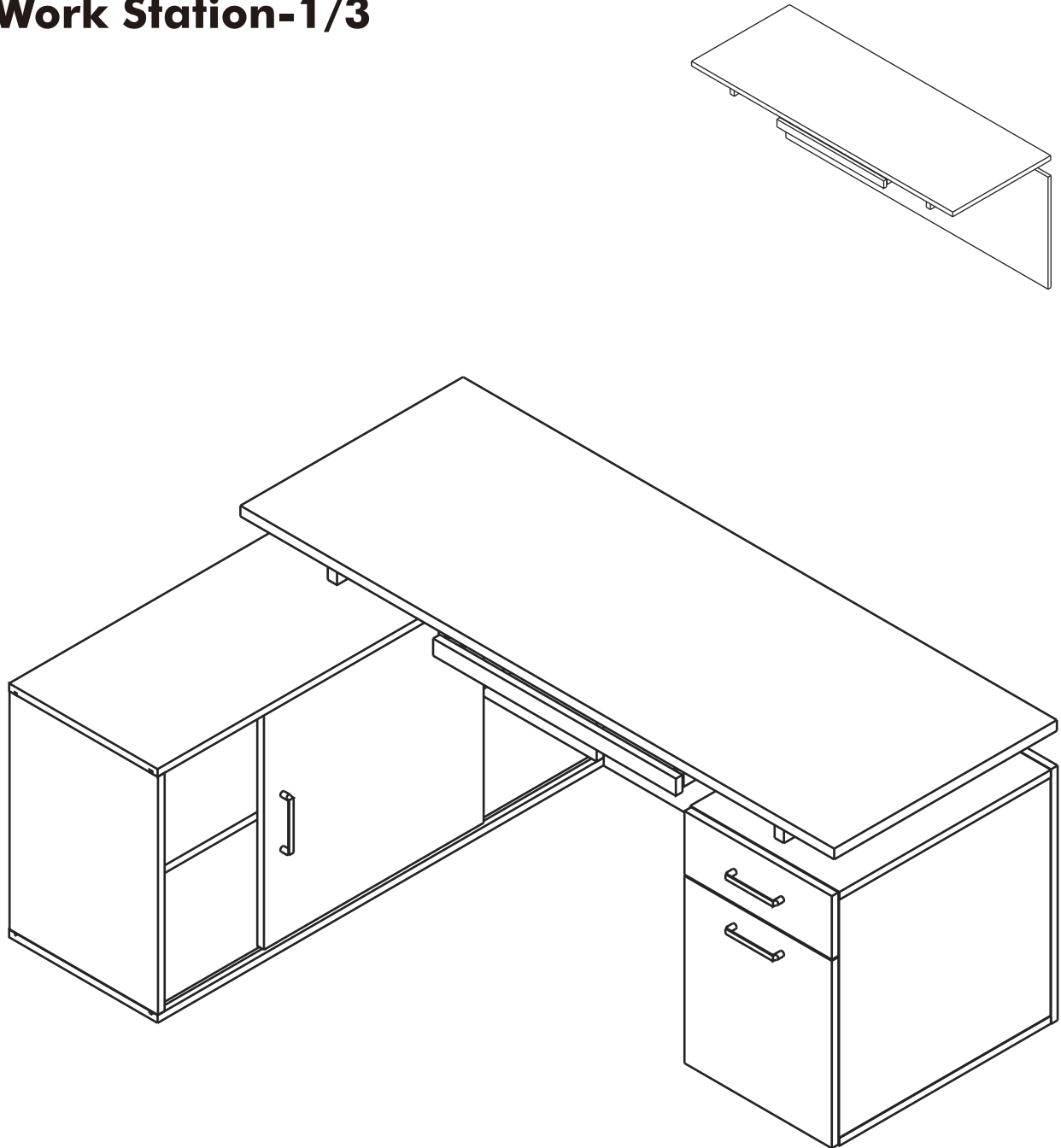
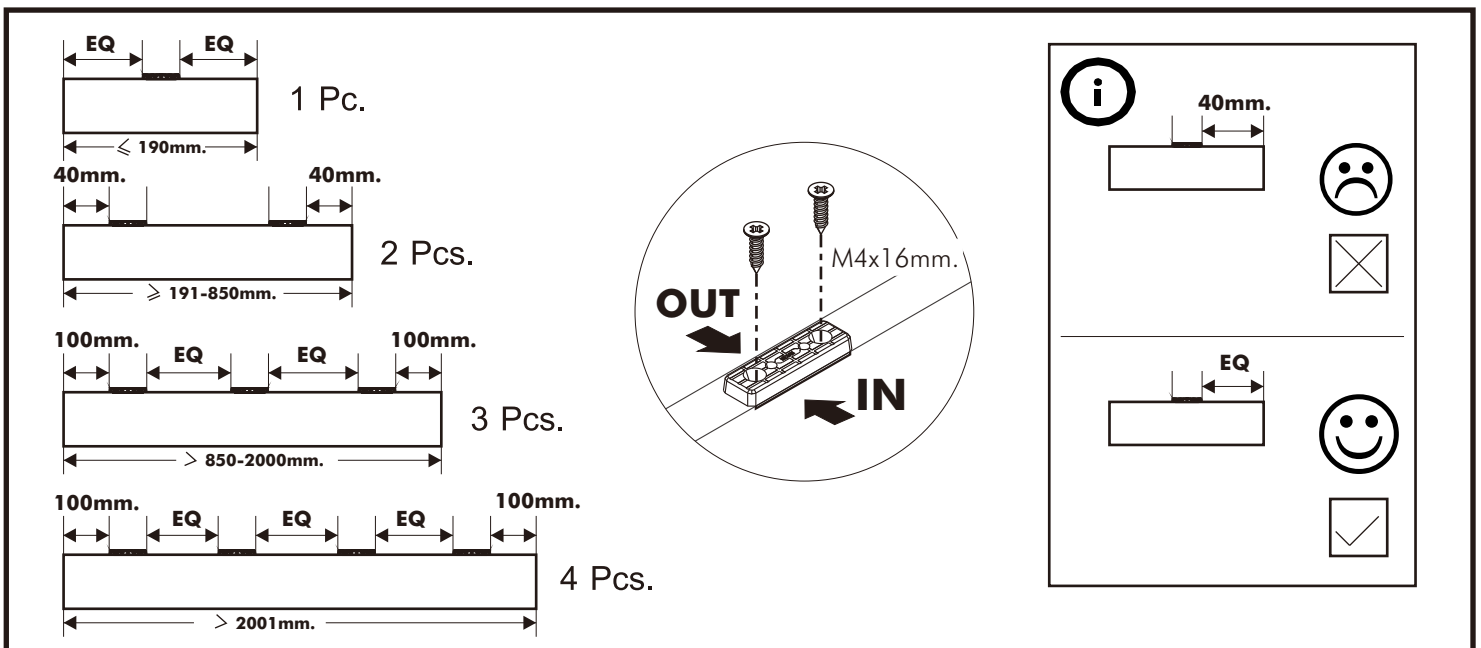
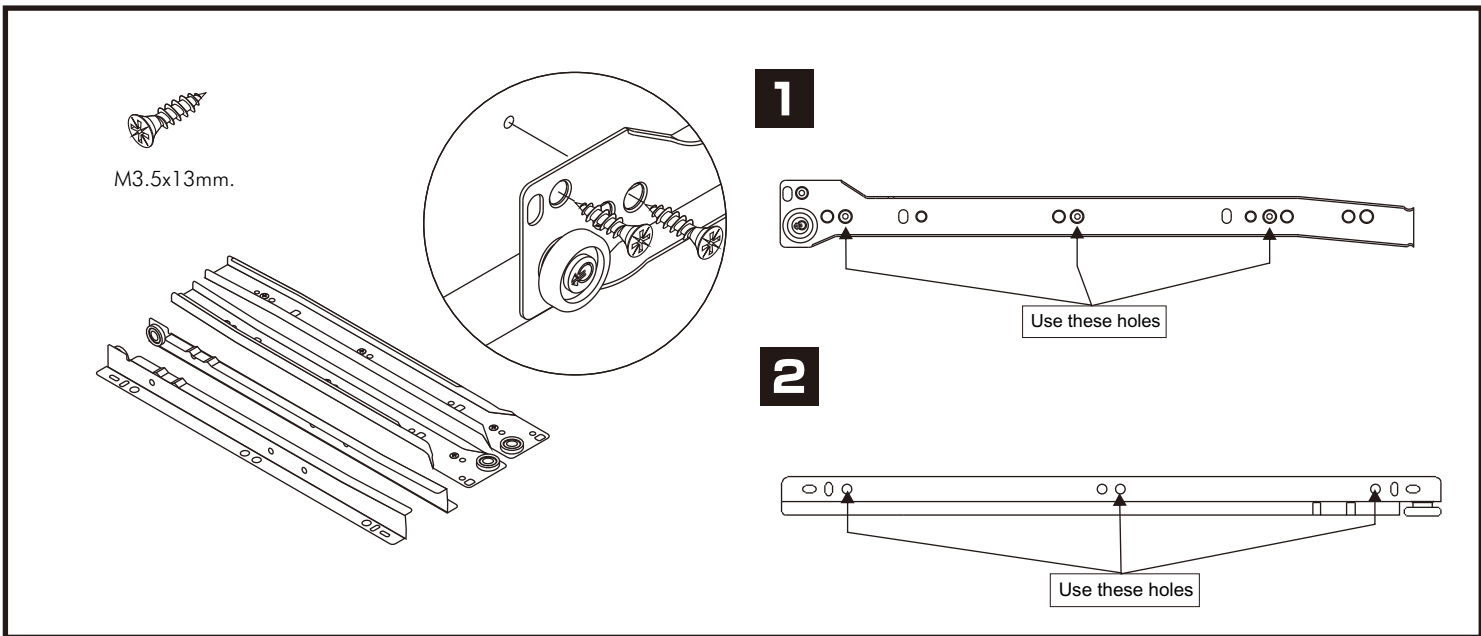
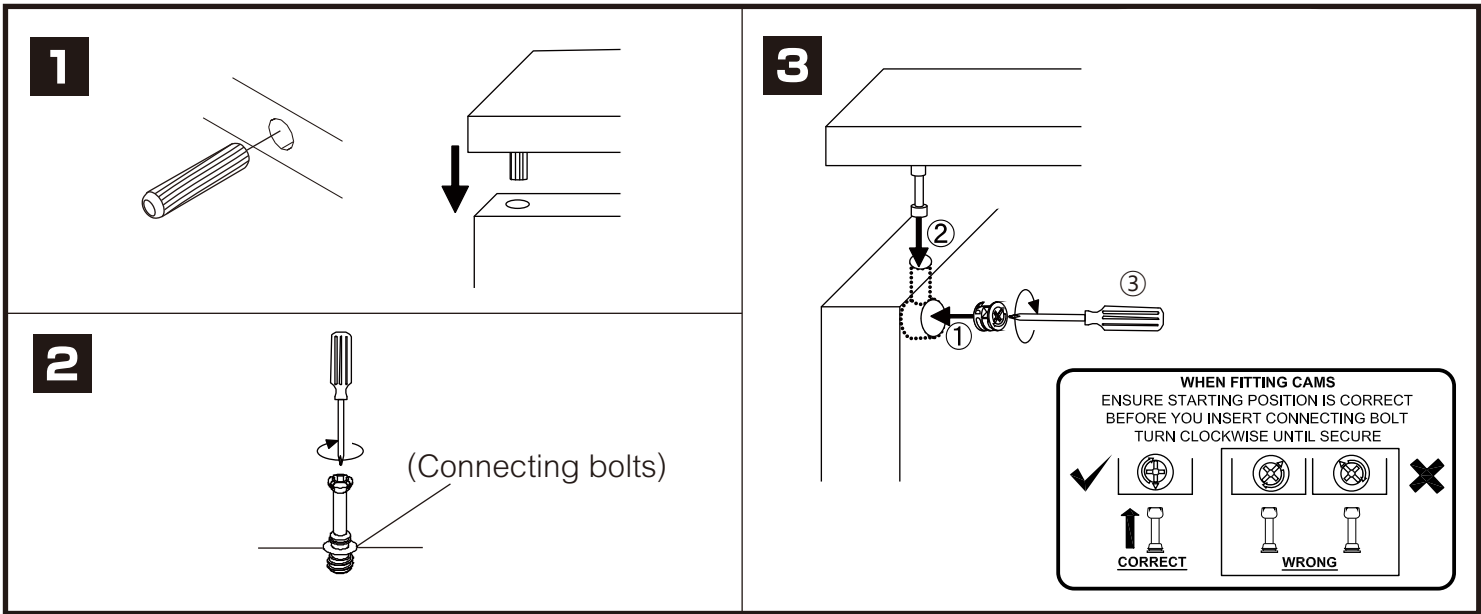


PRESENCE

Work Station-1/3

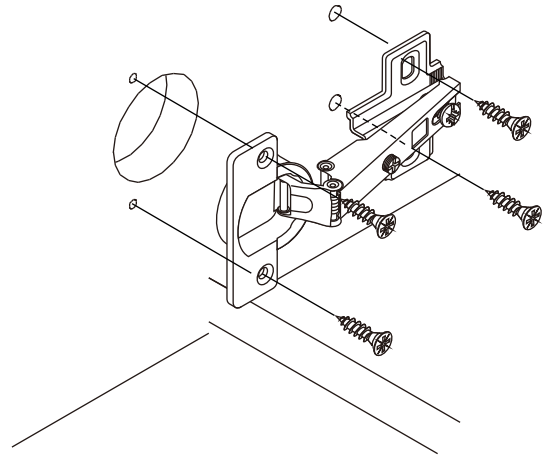
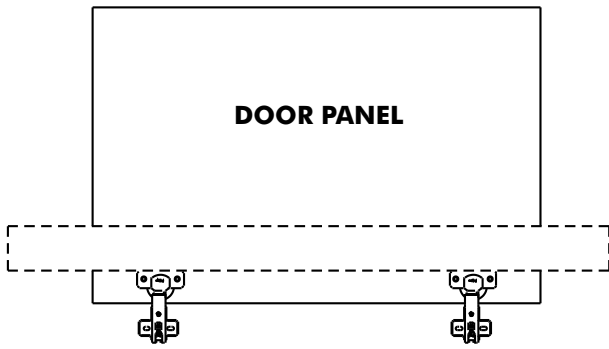


CONNECT SYSTEM

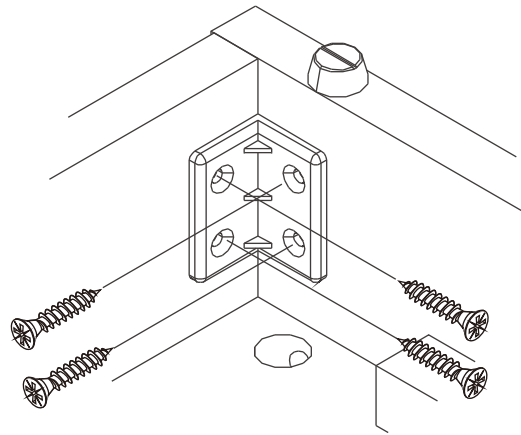
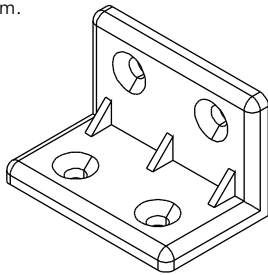




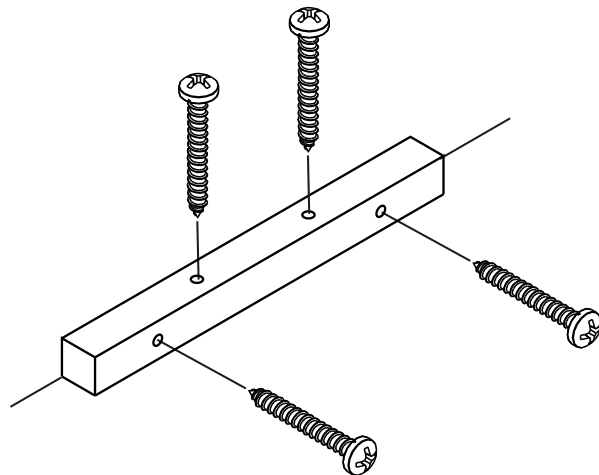
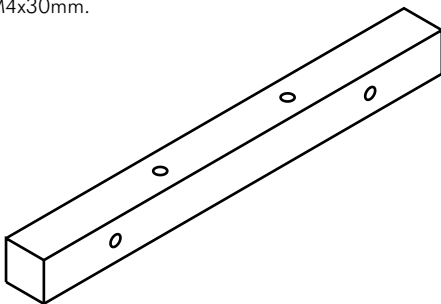
M4x16mm.



M4x16mm.

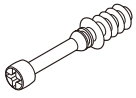


M4x30mm.



HARDWARE

-BODY SET

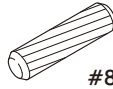


x 8



19mm.

x 8

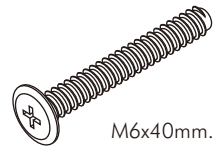


#8x35

x 21

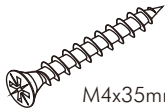


x 2



M6x40mm.

x 4



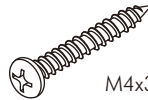
M4x35mm.

x 6



M4x16mm.

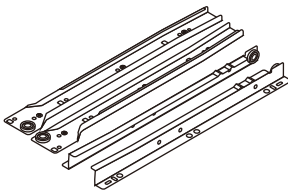
x 4



M4x30mm.

x 8

-DRAWER SET

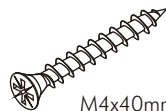


x 1



M3.5x13mm.

x 12



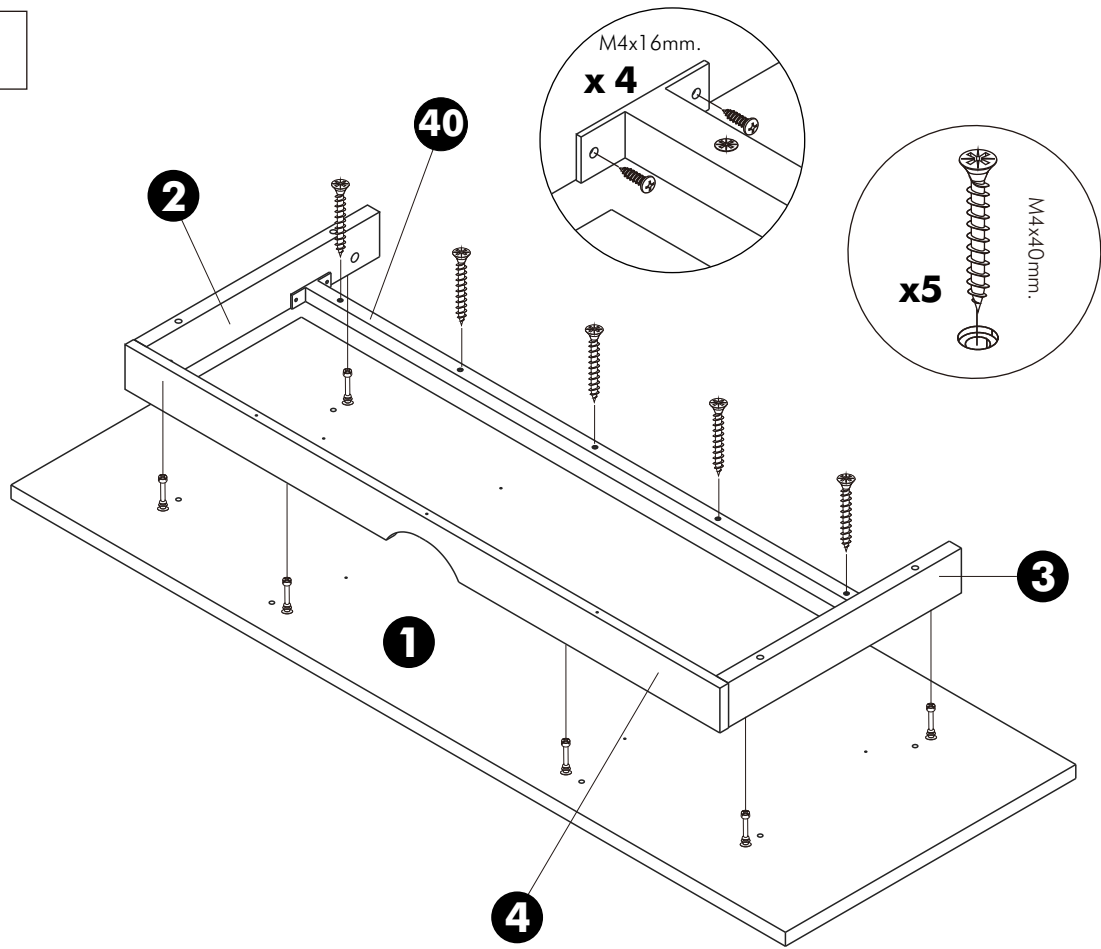
M4x40mm.

x 14

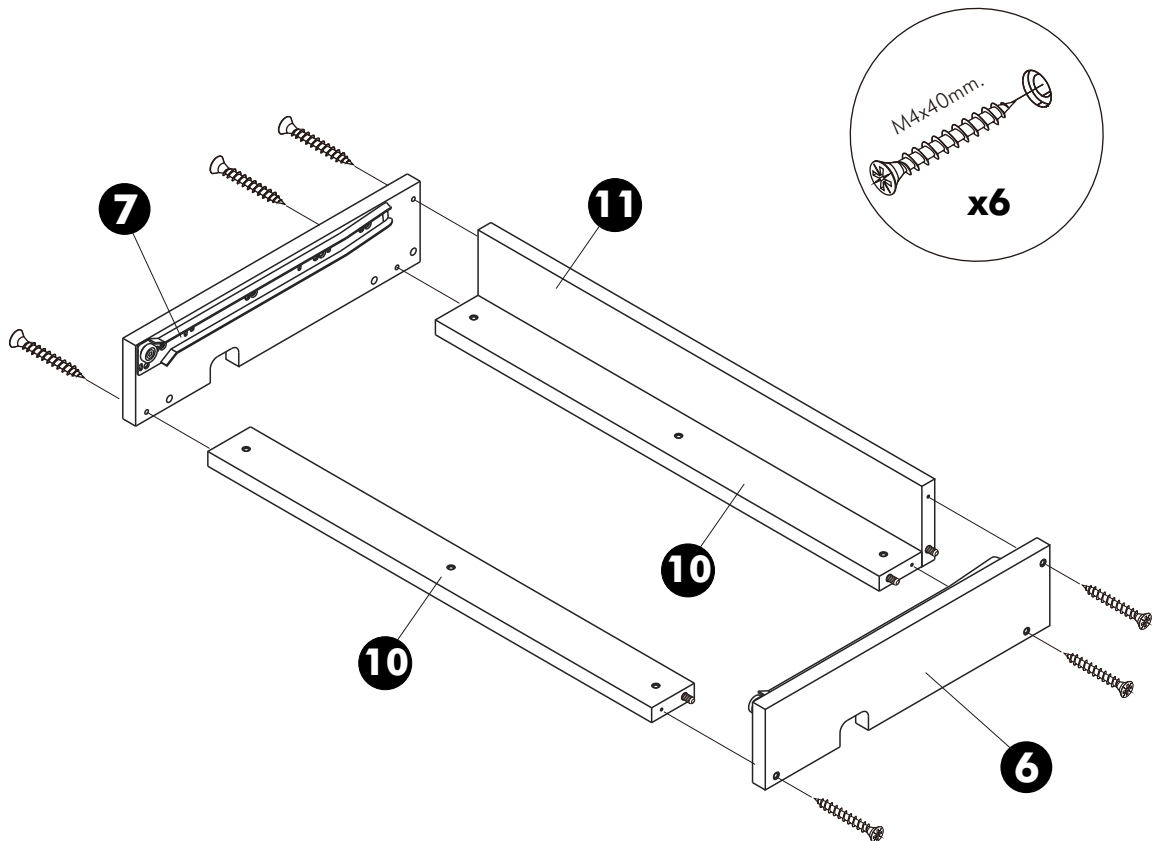
ASSEMBLY

-BODY SET

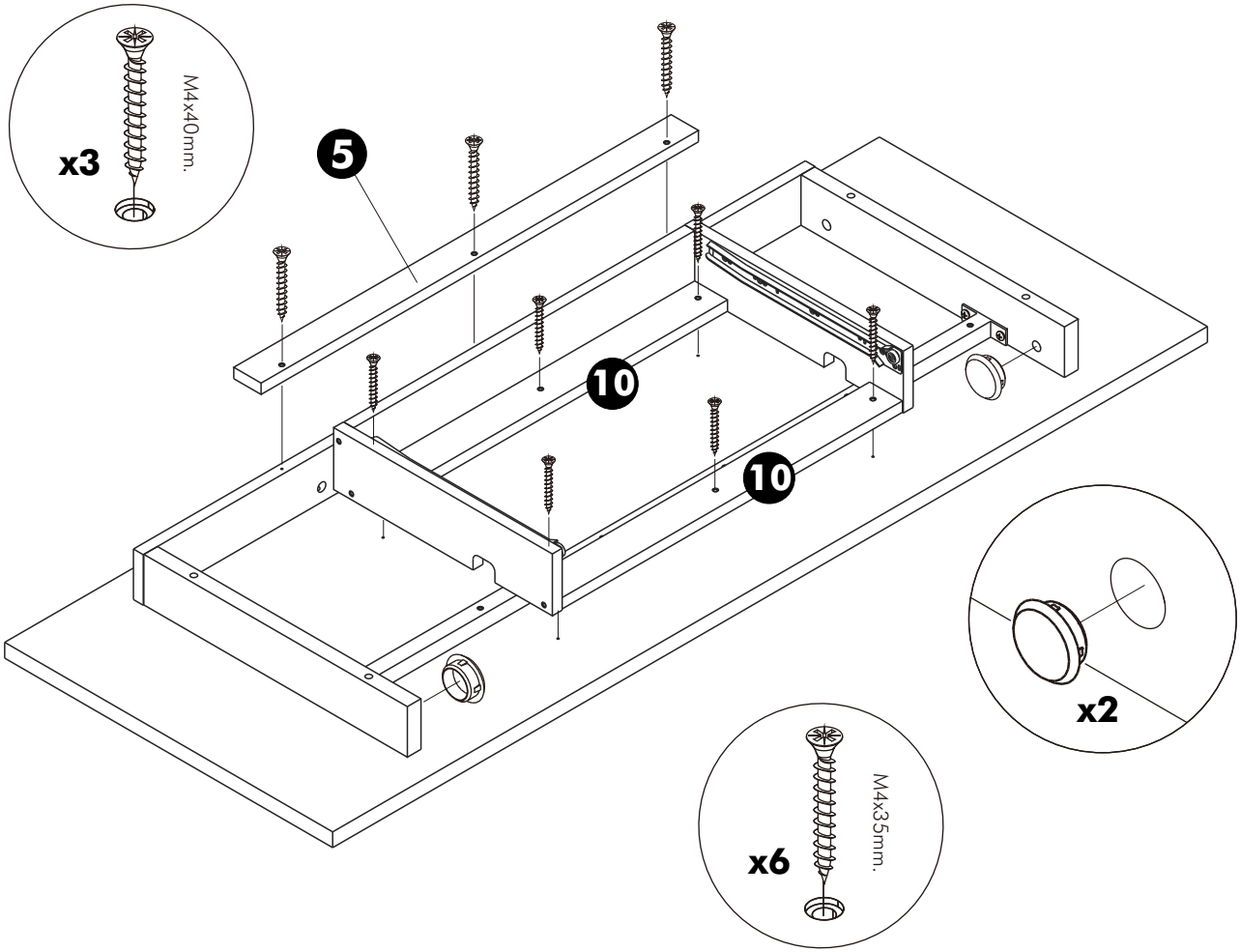
1.



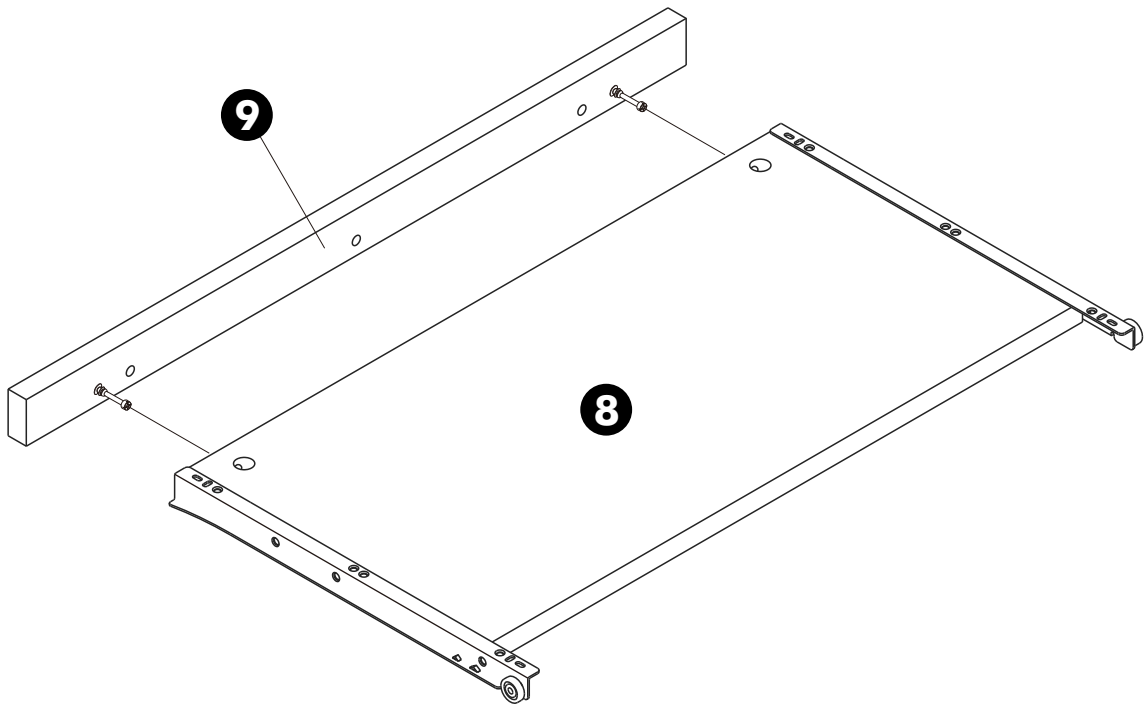
2.



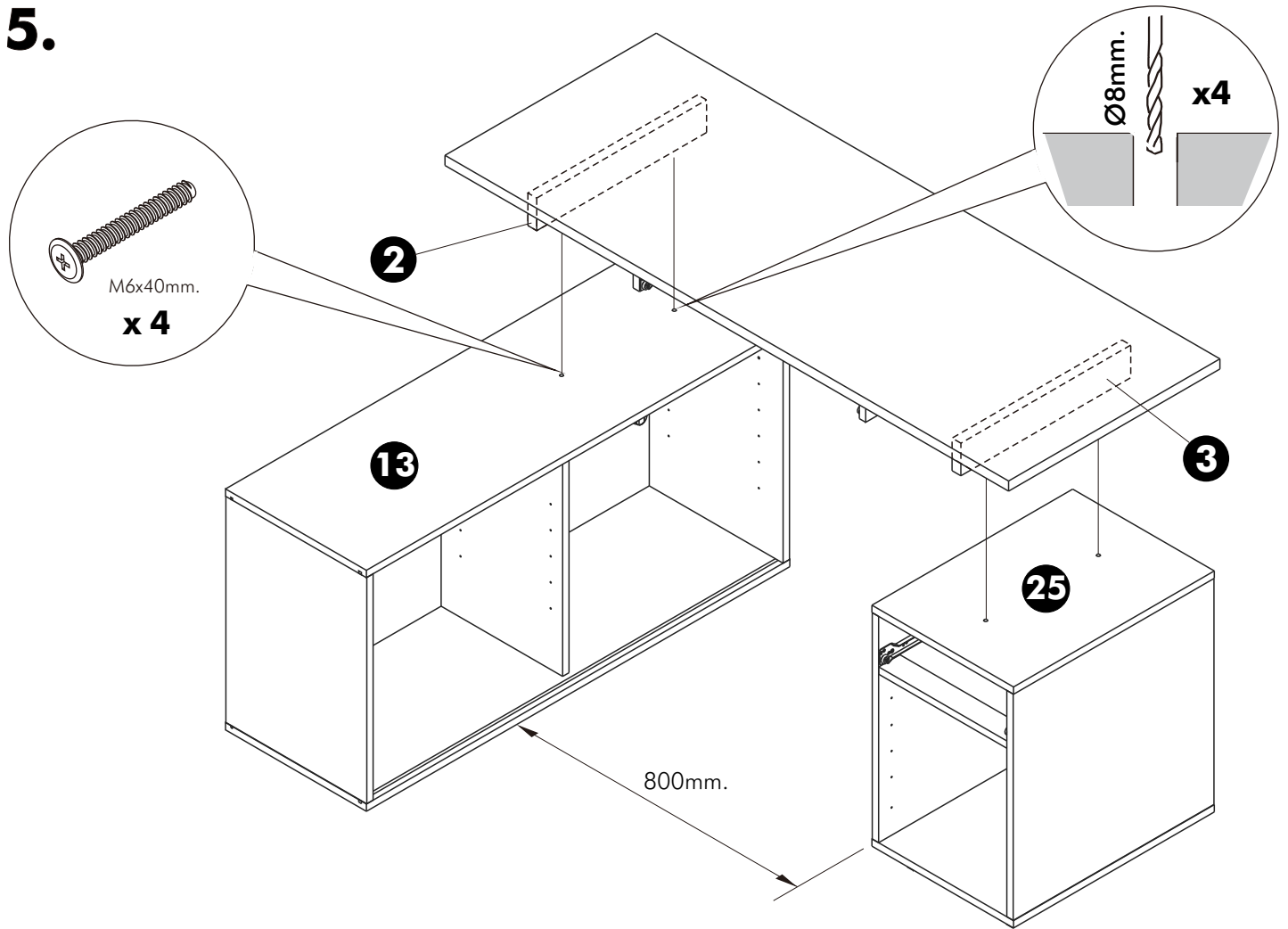
3.



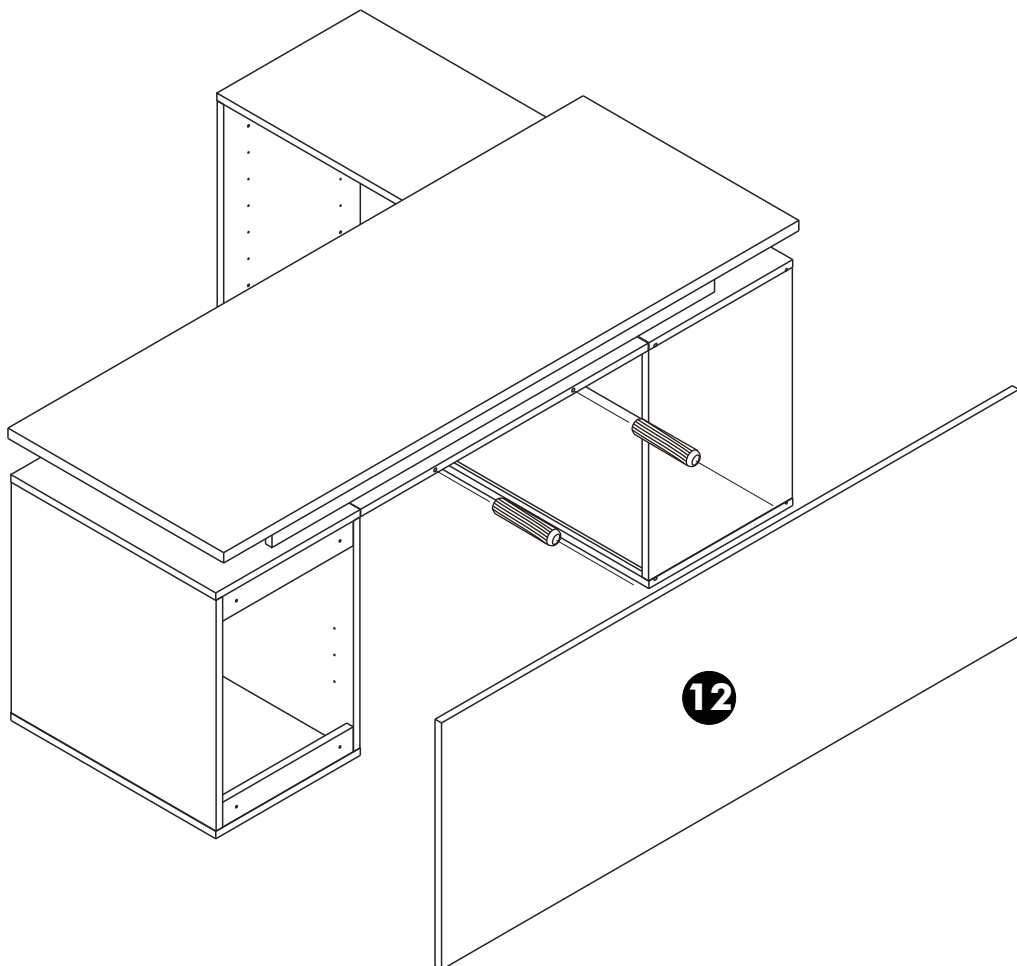
4.



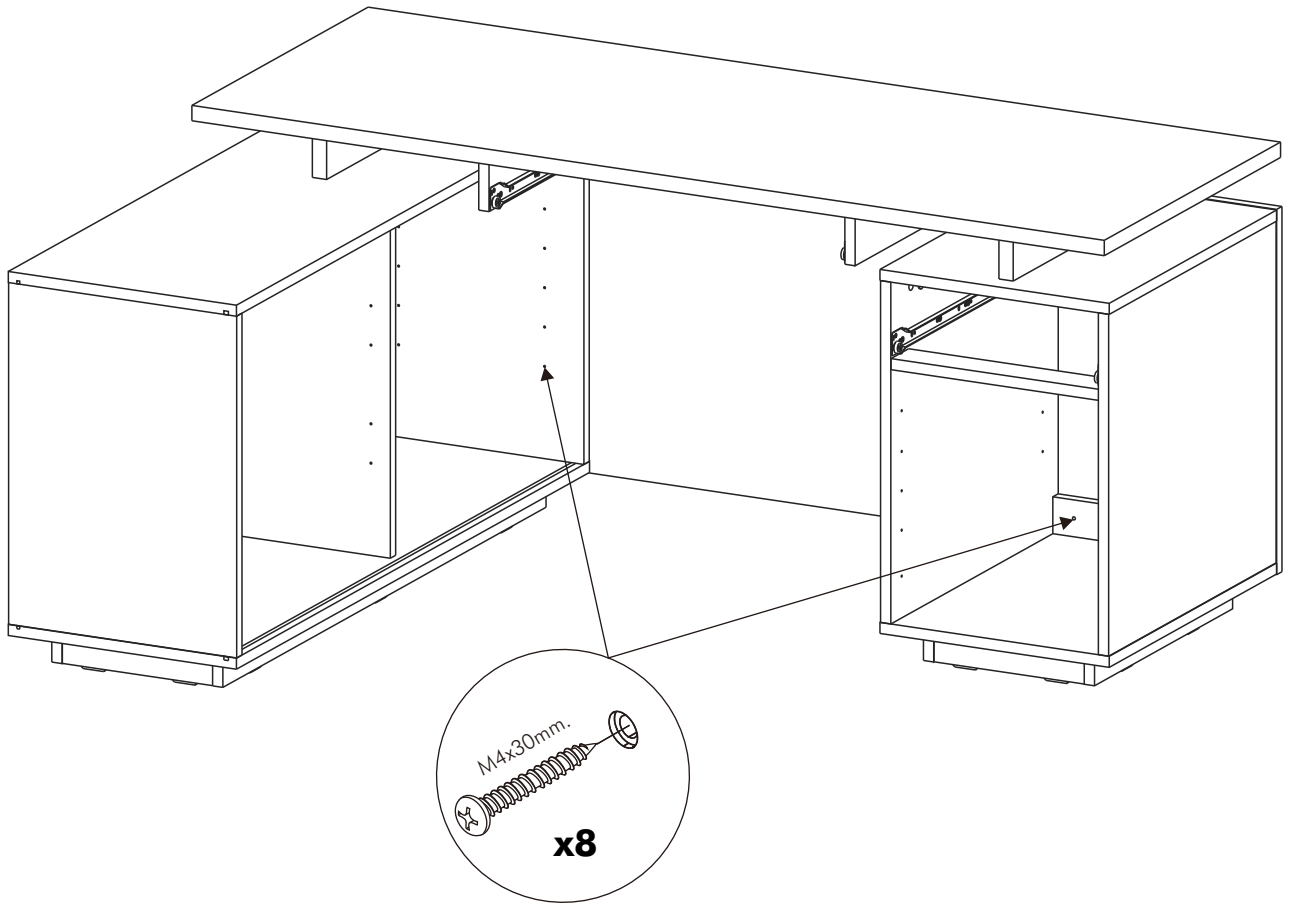
5.



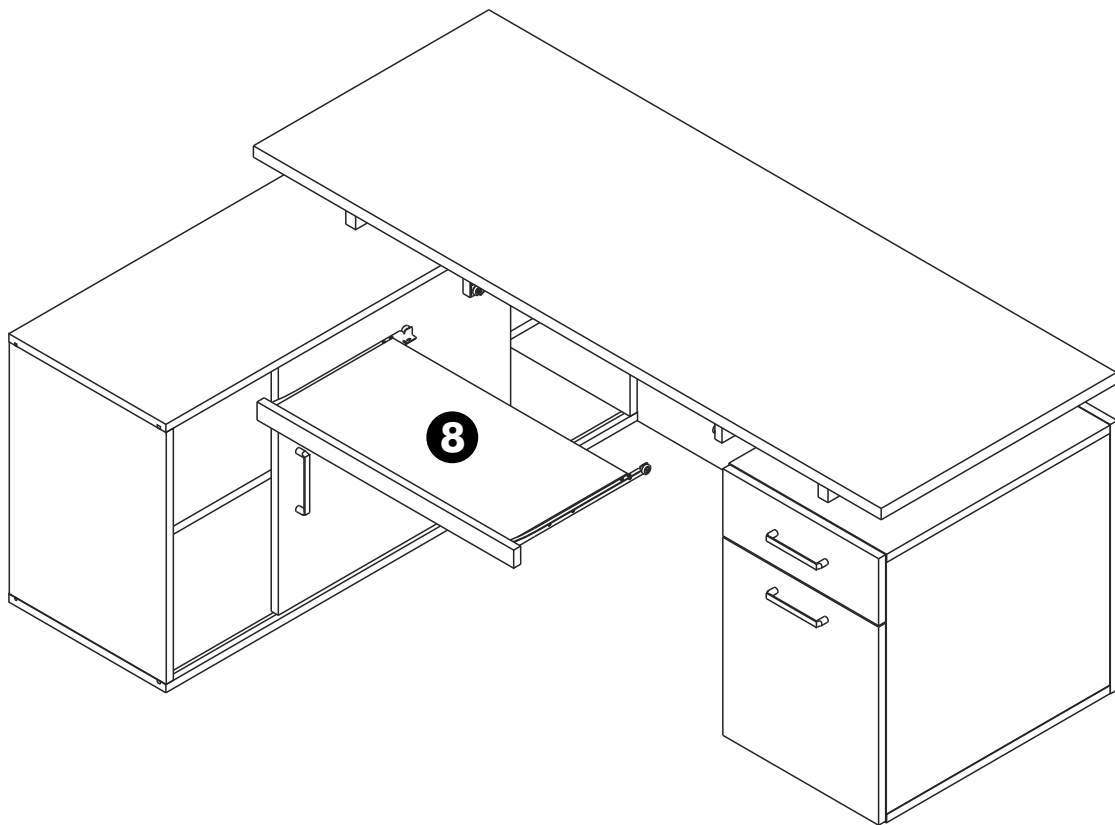
6.



7.

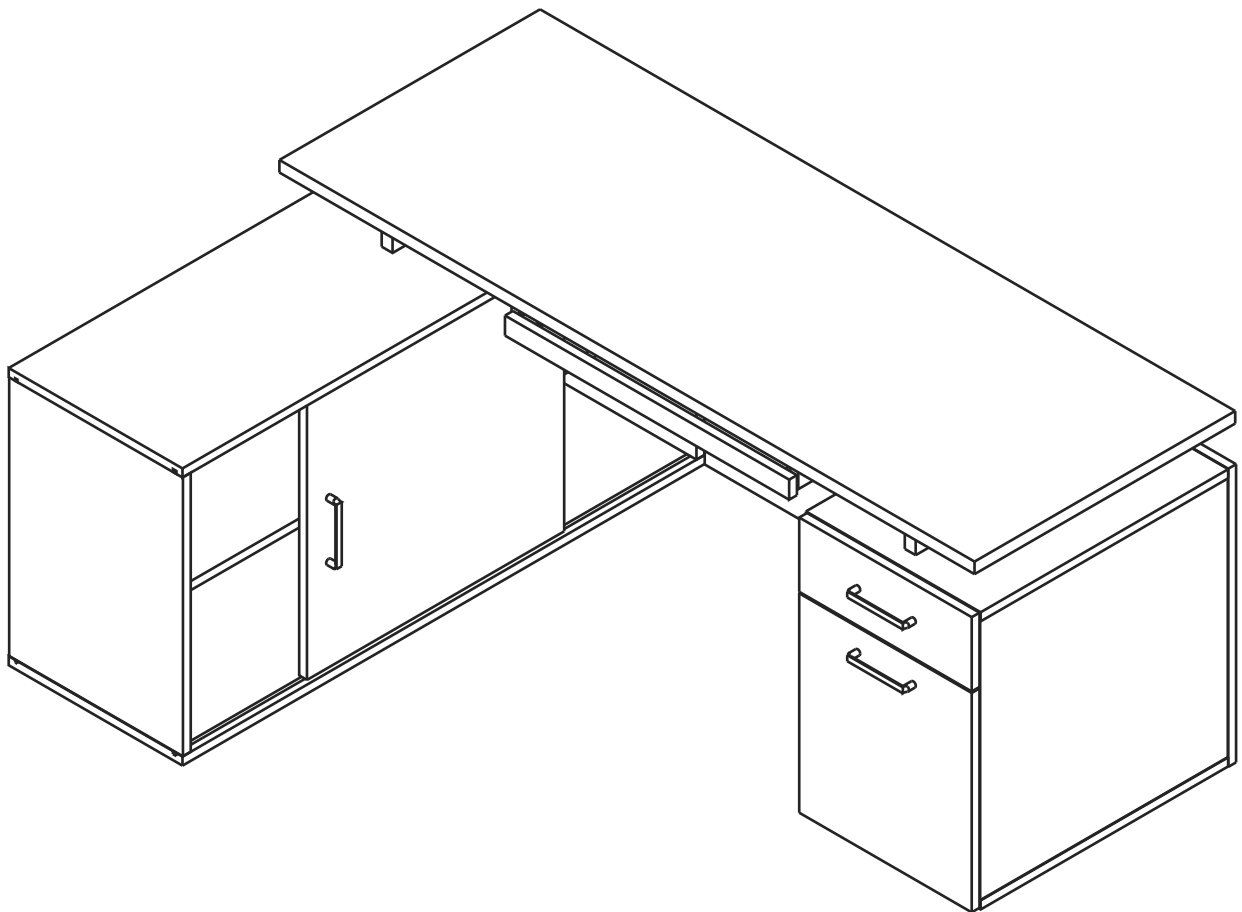
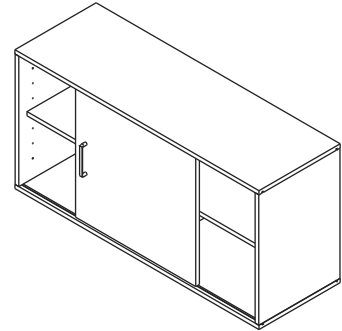


8.



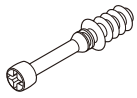
PRESENCE

Work Station-2/3



HARDWARE

-BODY SET

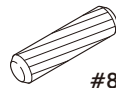


x 6



19mm.

x 6

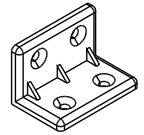


#8x35

x 12



x 8



x 10



M4x16mm.

x 64



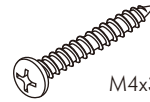
M4x40mm.

x 4



M4x50mm.

x 6



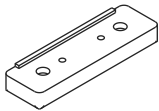
M4x30mm.

x 28



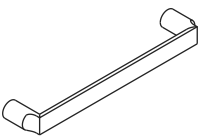
M4x16mm.

x 2



x 12

-DOOR SET

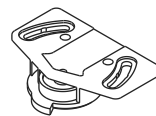


x 1



M4x25mm.

x 2



x 2



x 2



M3.5x13mm.

x 4

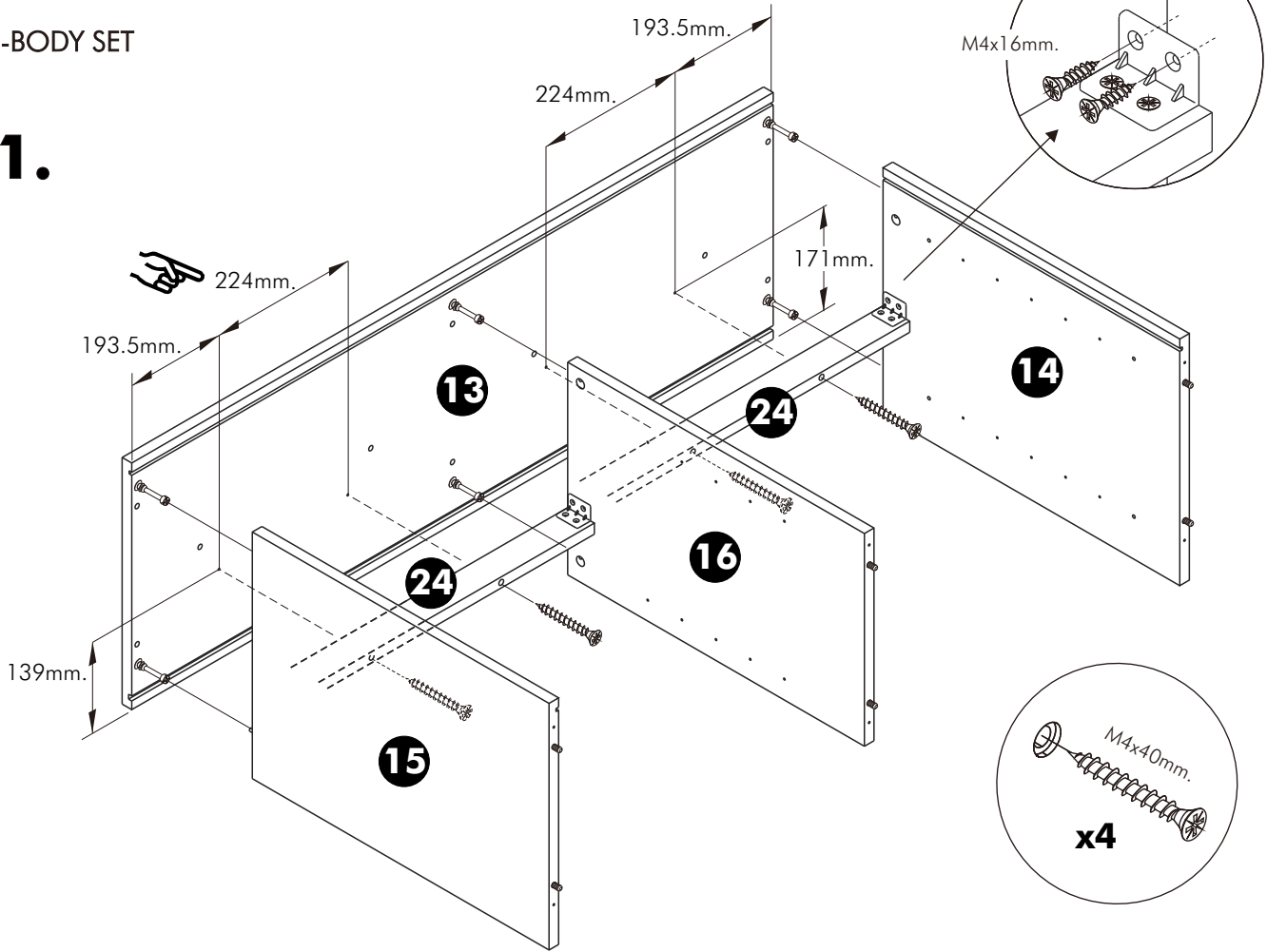


x 4

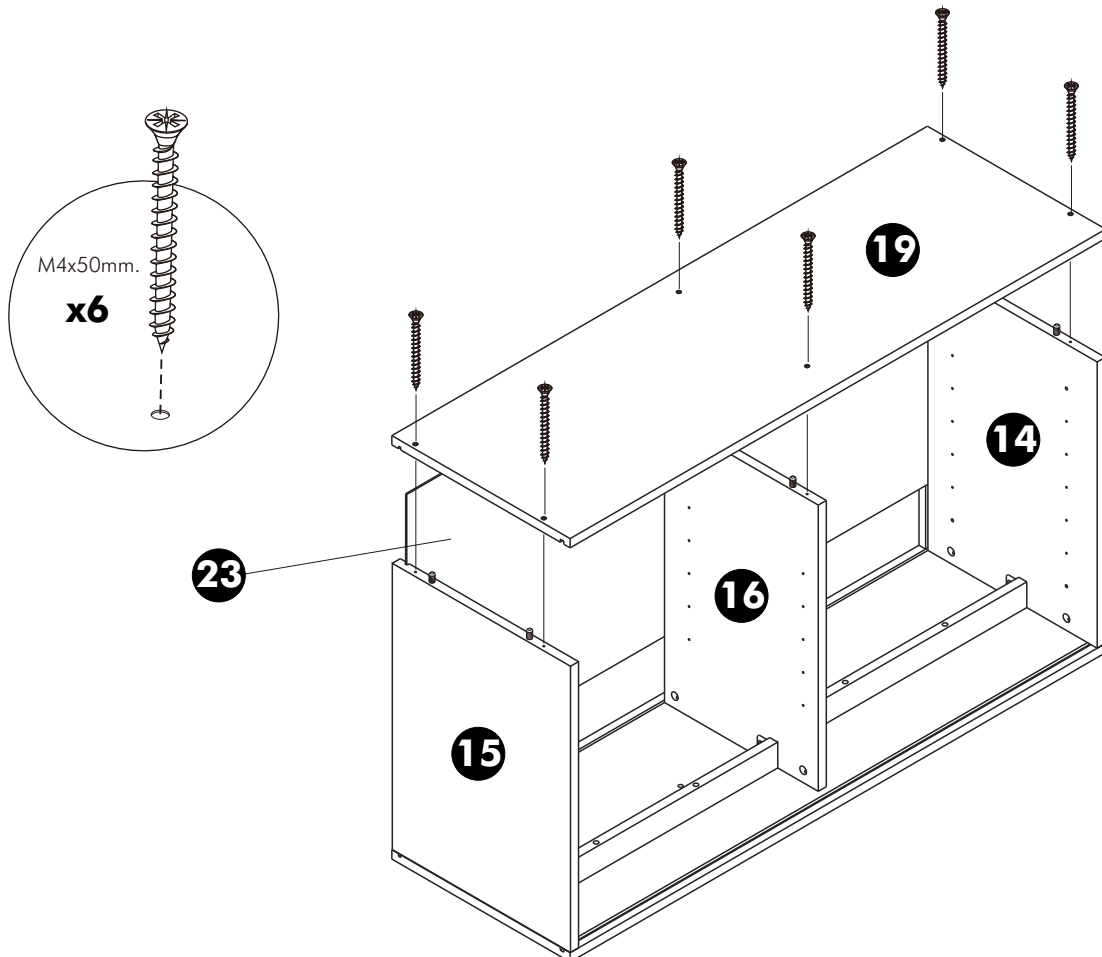
ASSEMBLY

-BODY SET

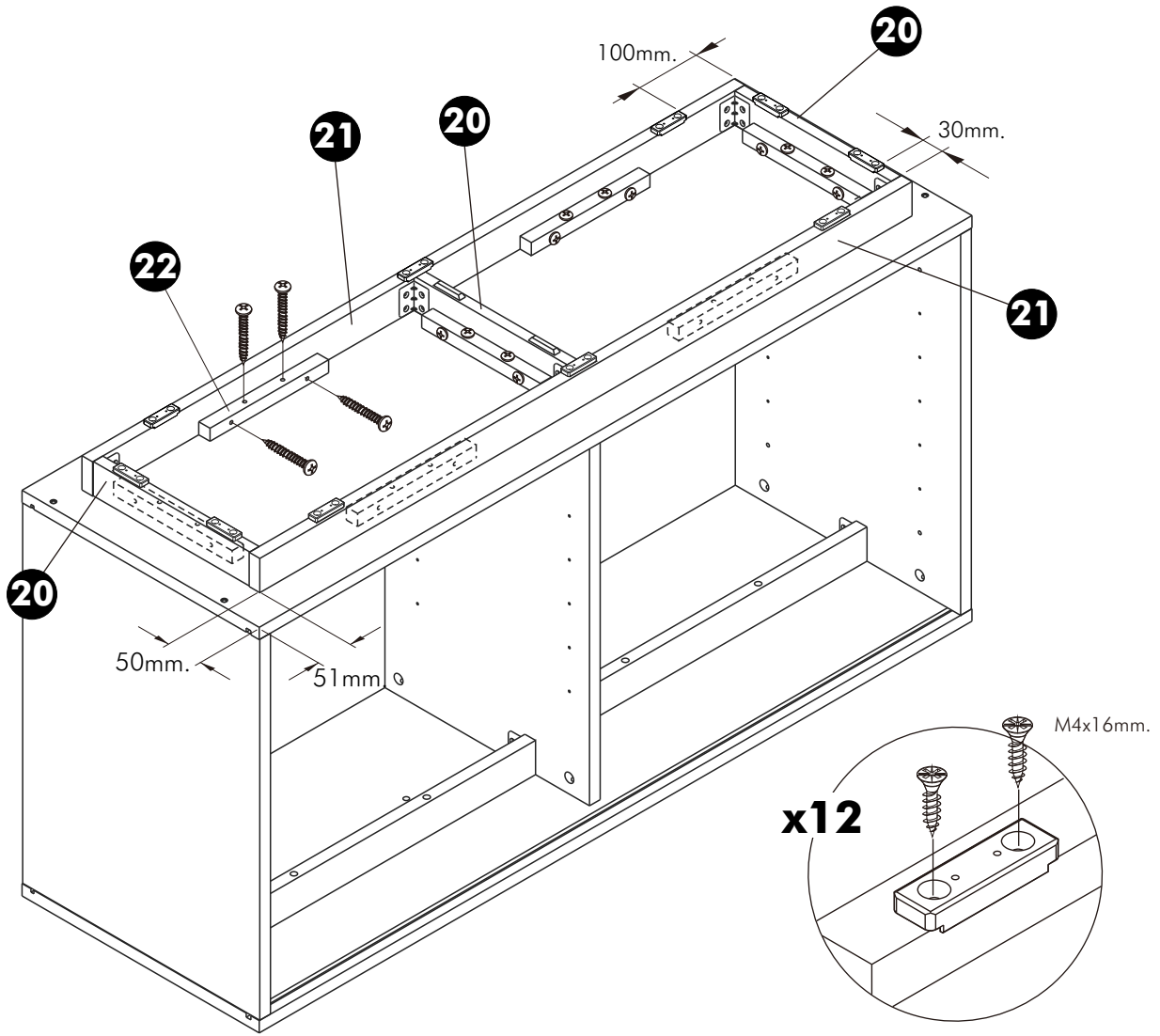
1.



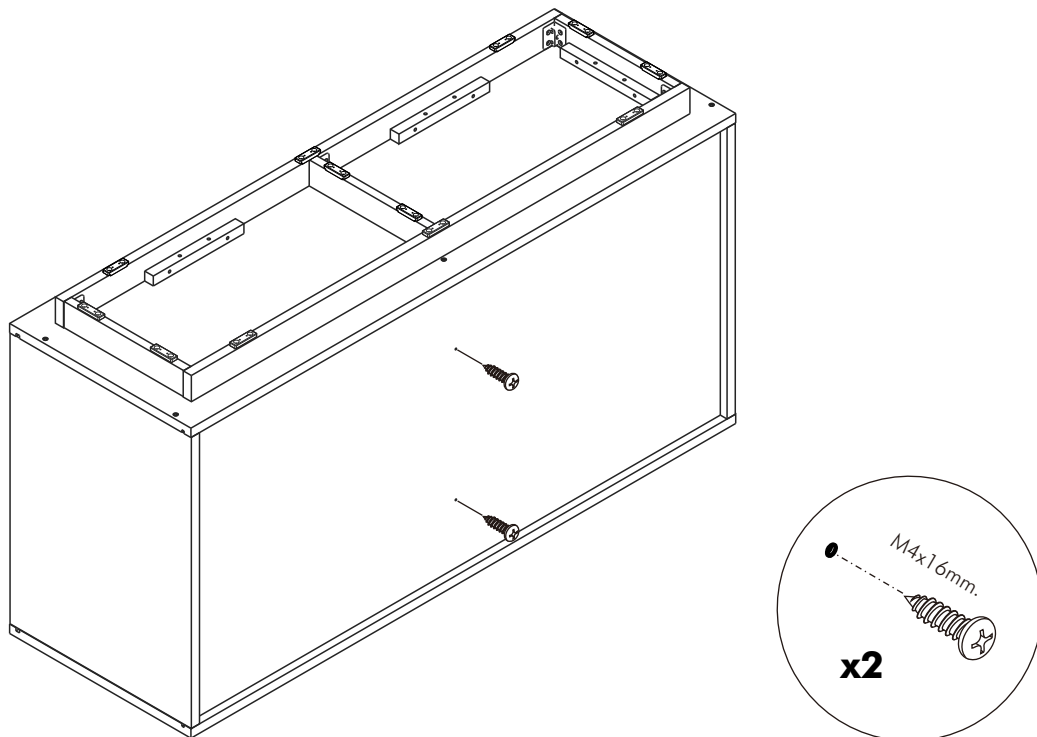
2.



3.

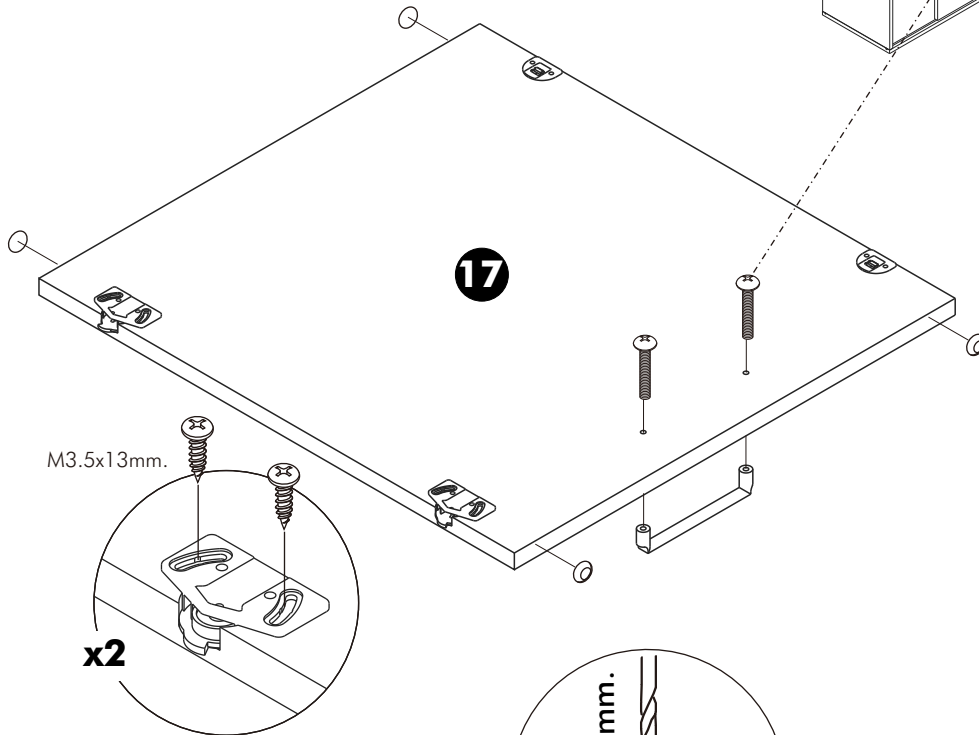
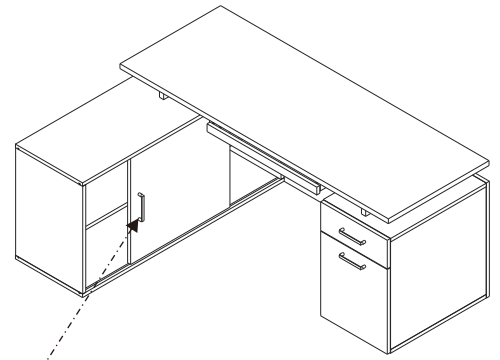


4.



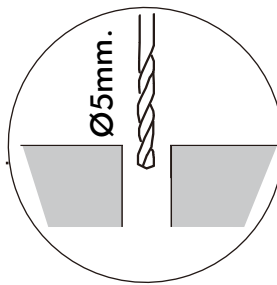
ASSEMBLY

-DOOR SET

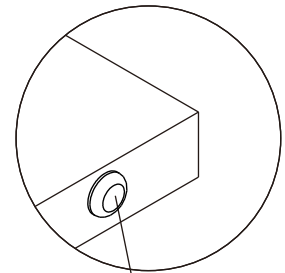


M3.5x13mm.

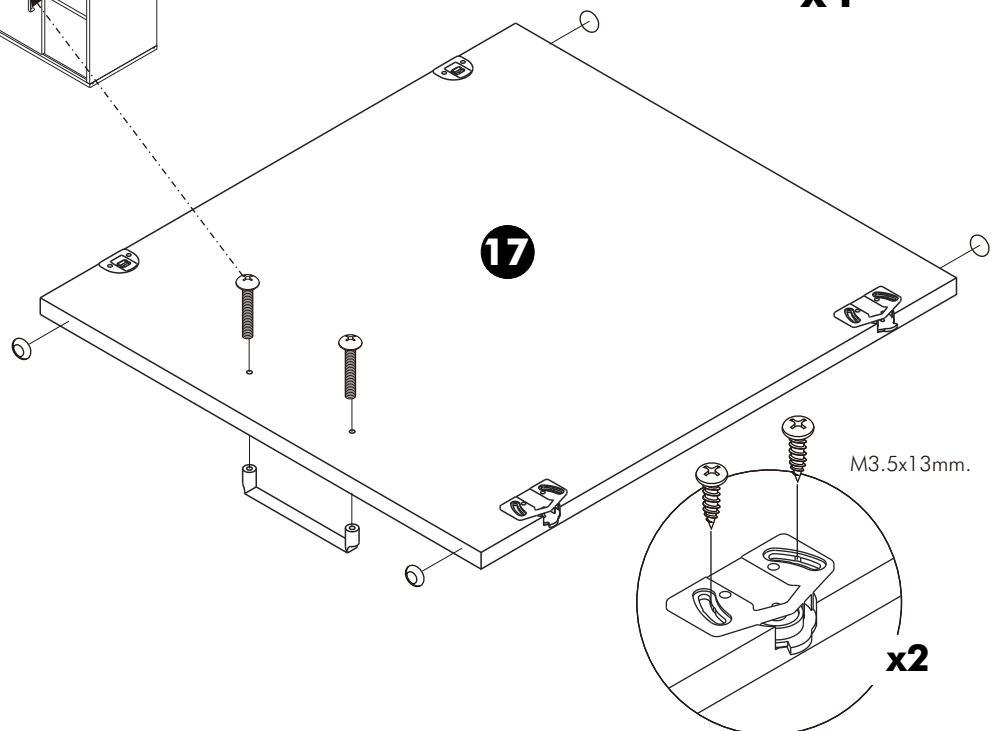
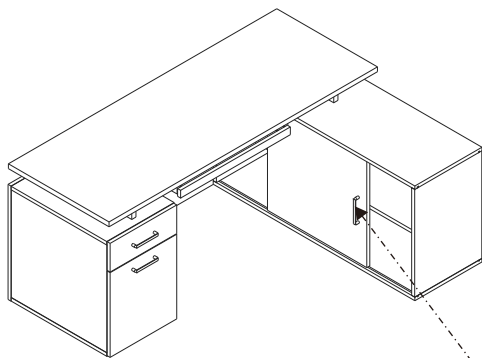
x2



Ø5mm.



x4

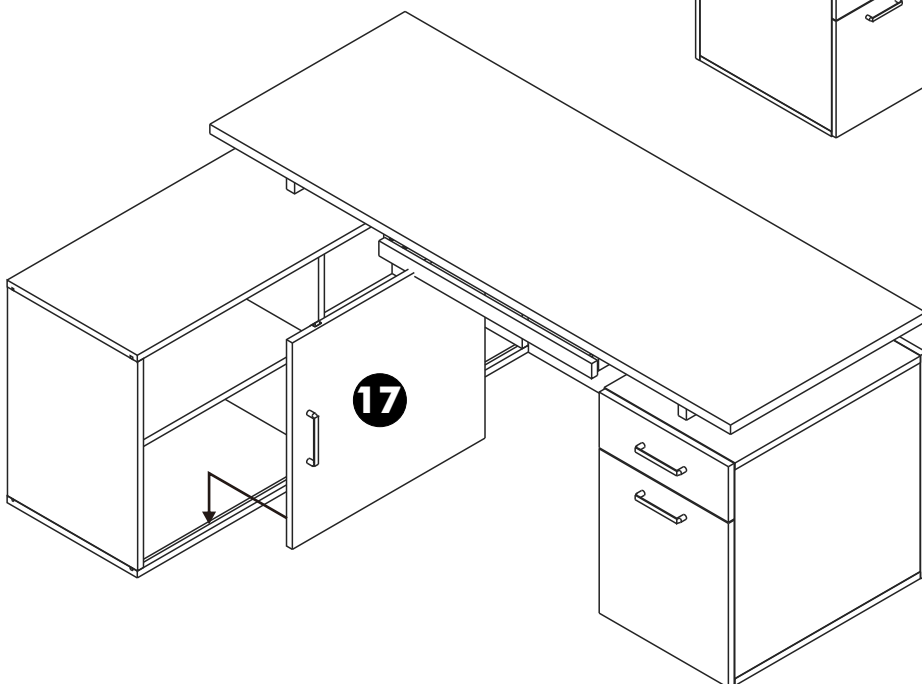
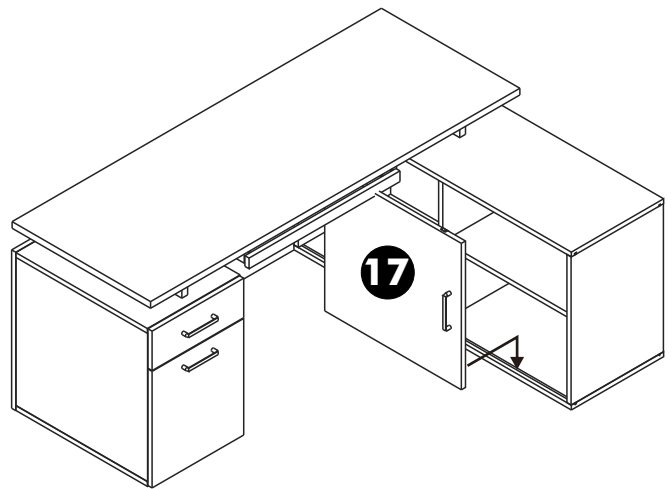
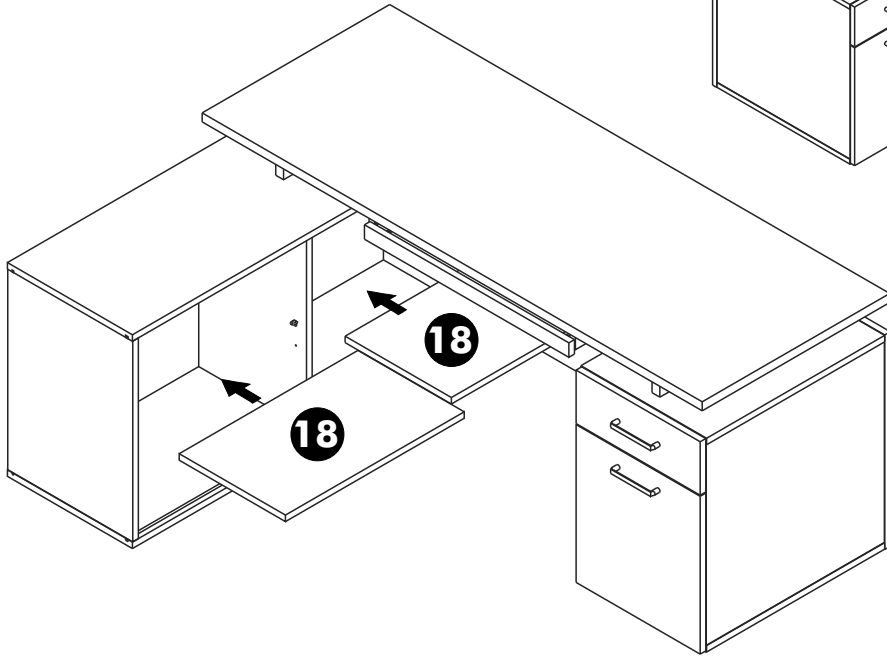
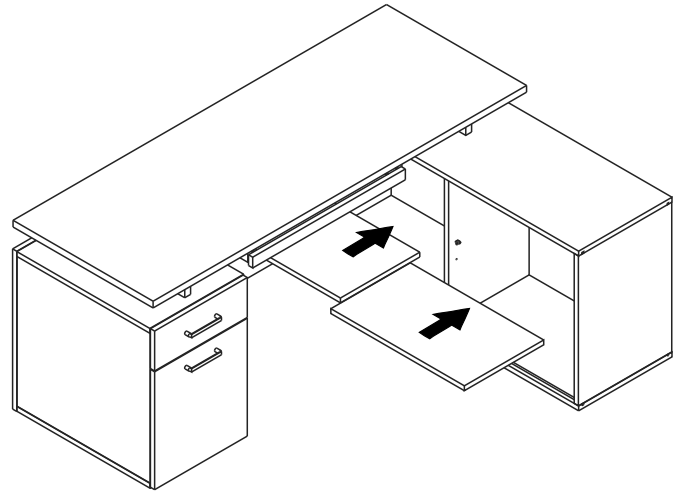


M3.5x13mm.

x2

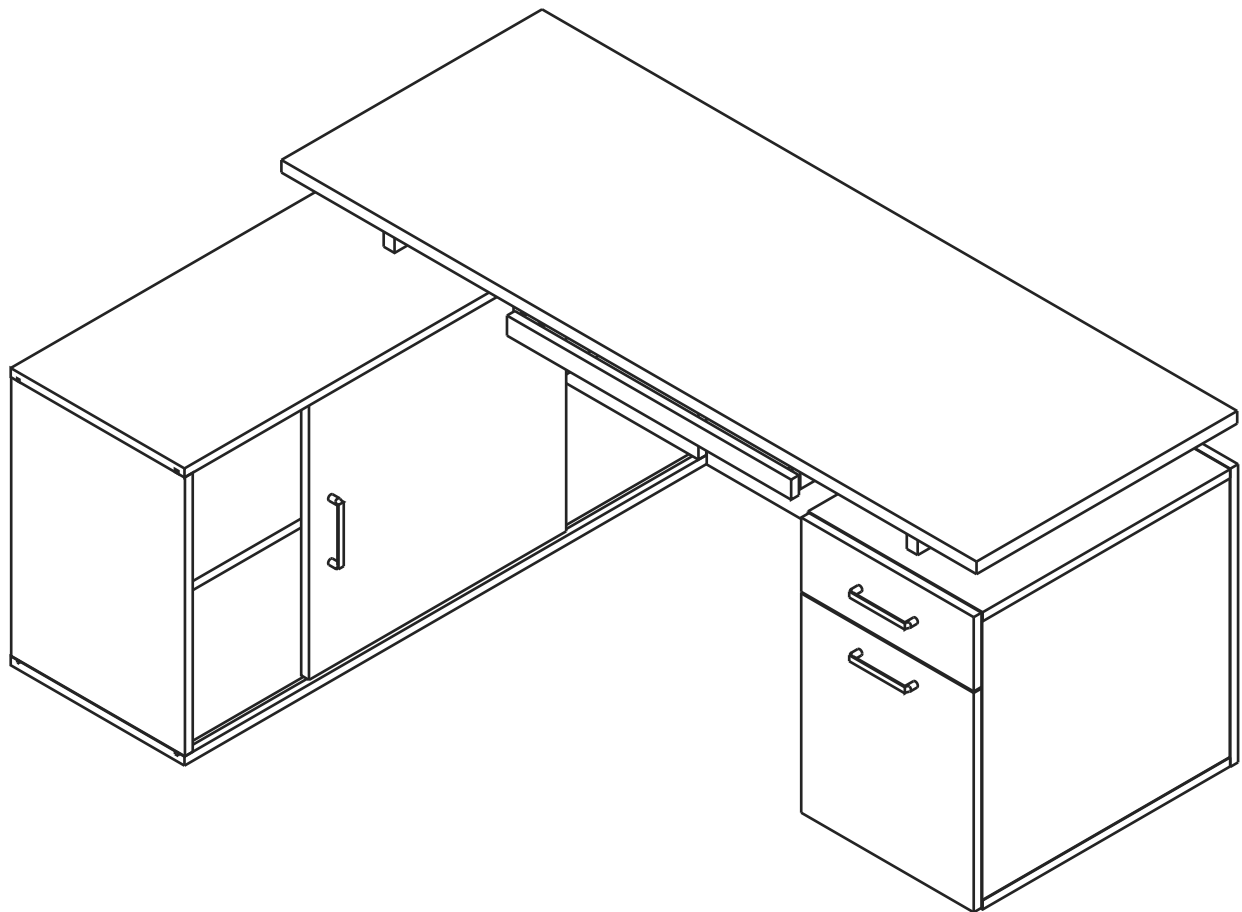
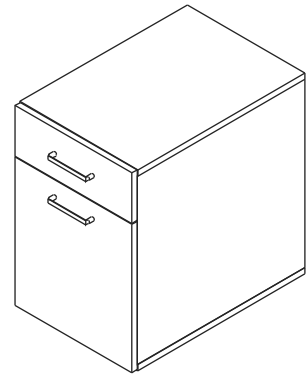
ASSEMBLY

-DOOR SET



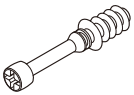
PRESENCE

Work Station-3/3



HARDWARE

-BODY SET

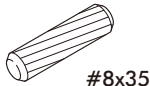


x 4



19mm.

x 4

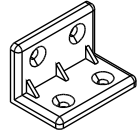


#8x35

x 24



x 4

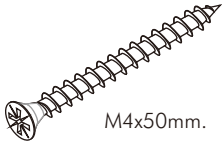


x 4



M4x16mm.

x 32



M4x50mm.

x 4



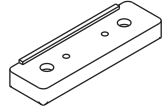
M4x30mm.

x 18



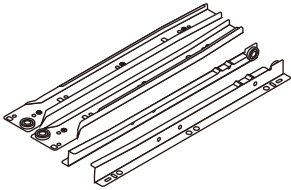
M4x16mm.

x 2



x 8

-DRAWER SET

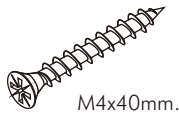


x 1



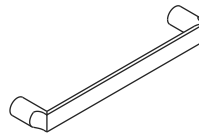
M3.5x13mm.

x 14

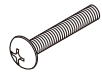


M4x40mm.

x 8



x 1



M4x25mm.

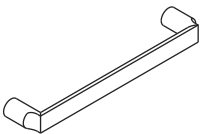
x 2



M6x23mm.

x 2

-DOOR SET

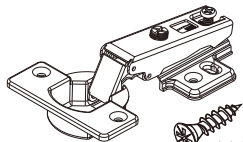


x 1



M4x25mm.

x 2



x 2

M4x16mm.



x 2

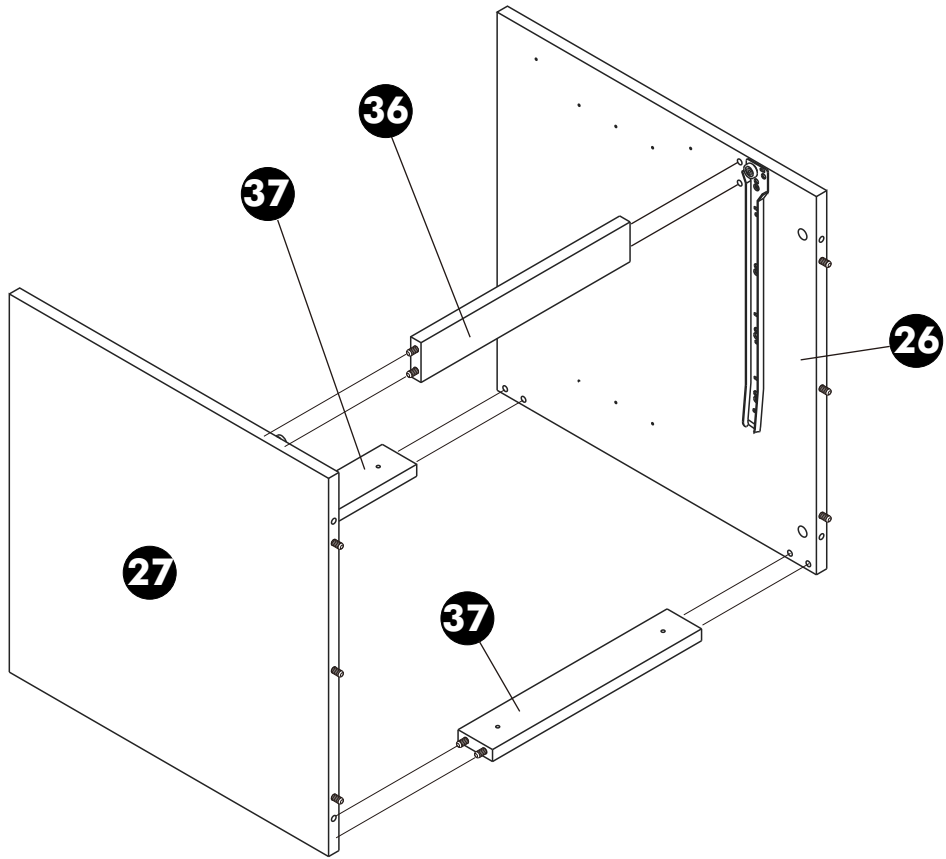


x 2

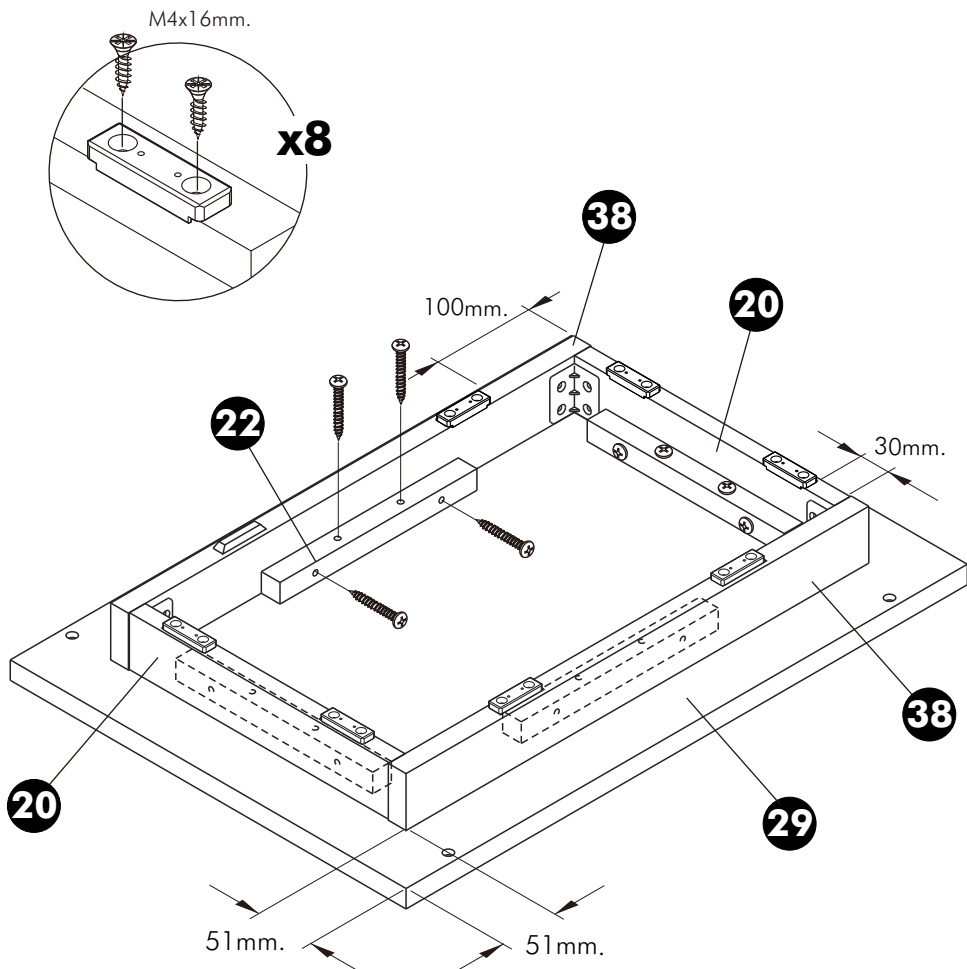
ASSEMBLY

-BODY SET

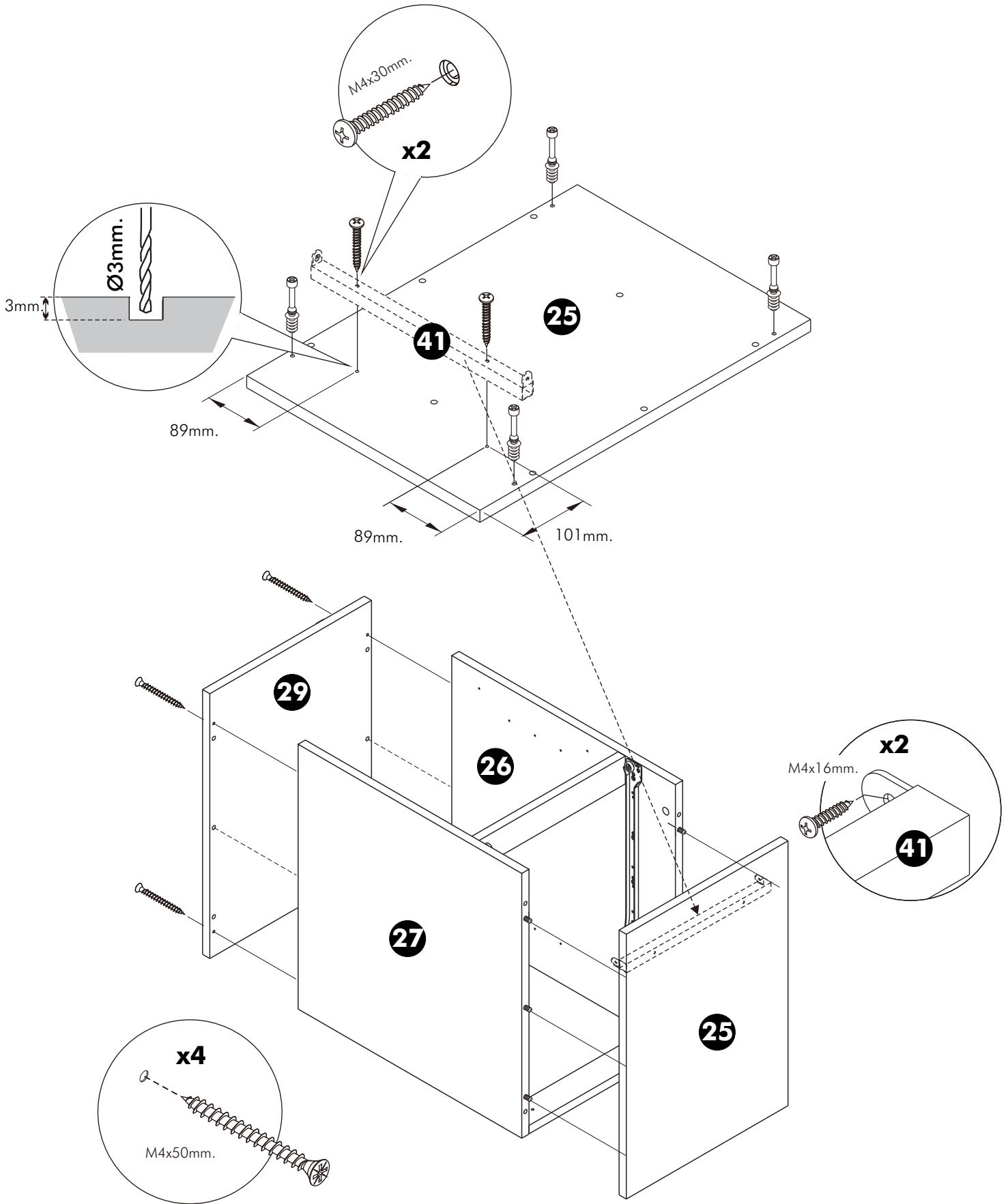
1.



2.

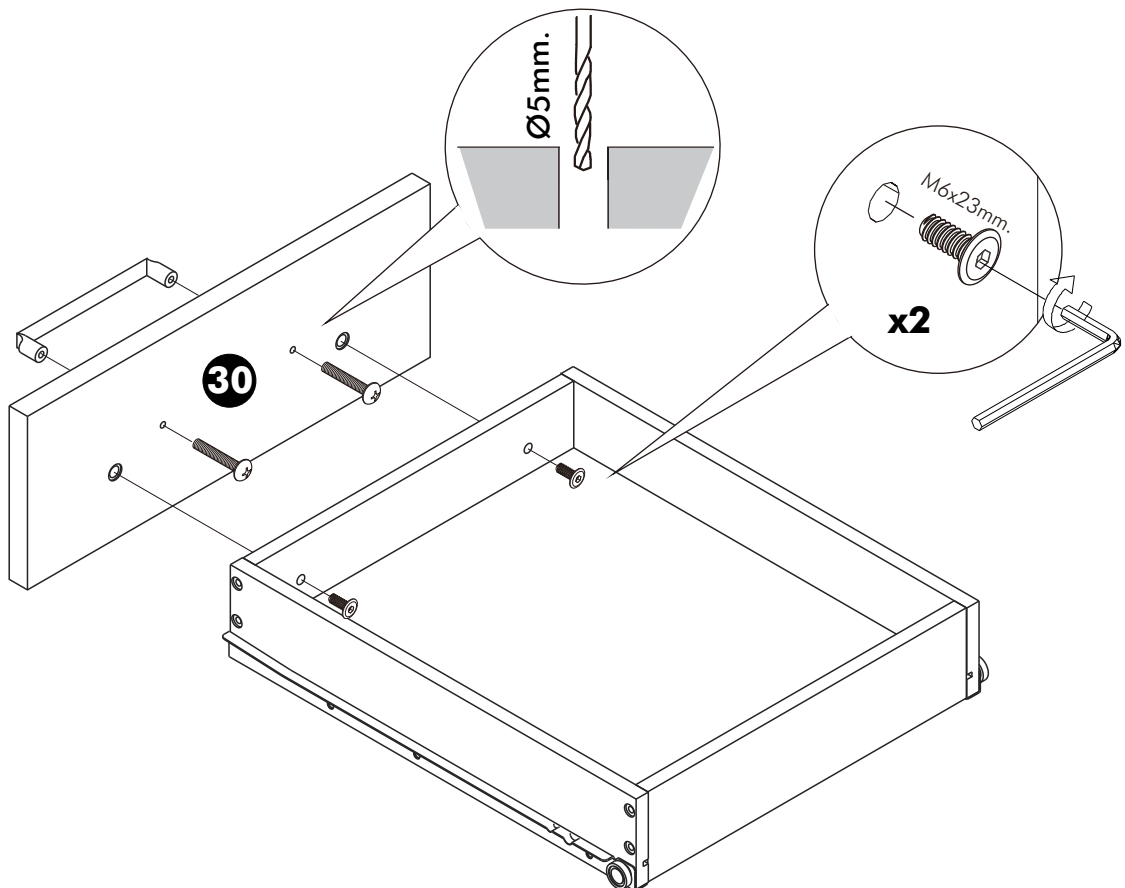
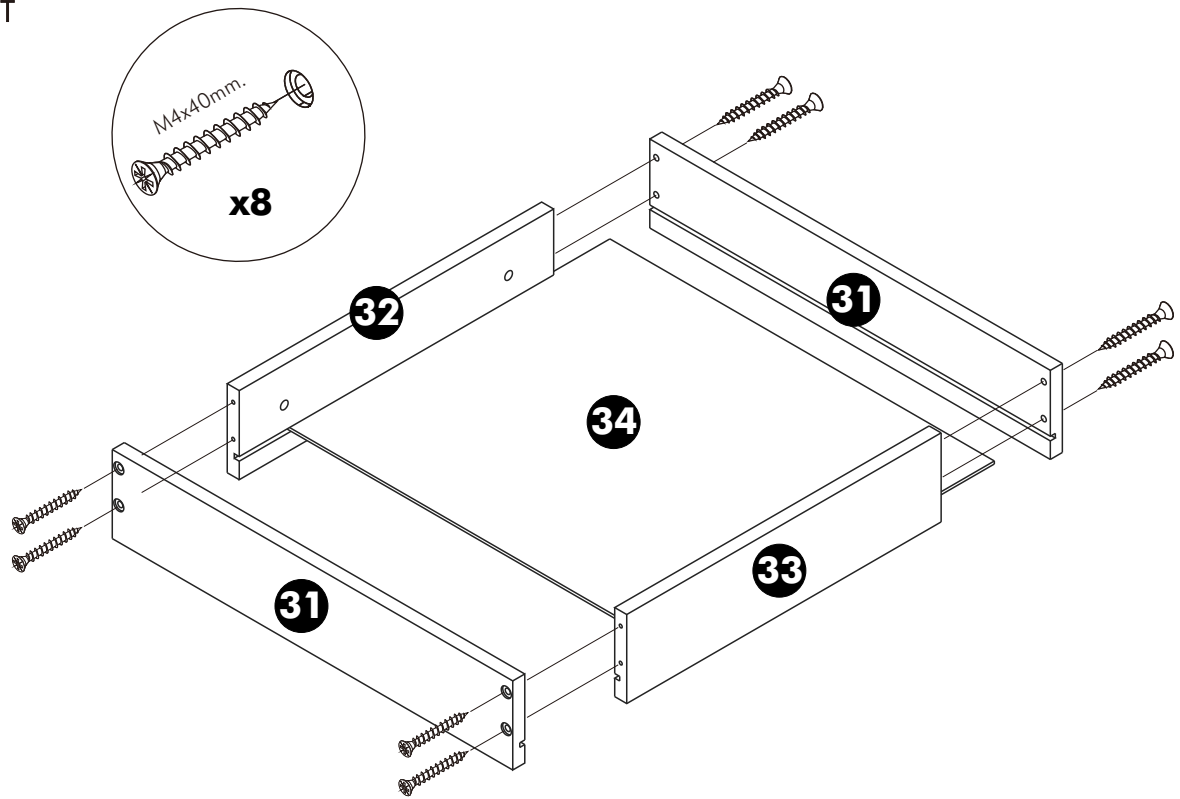


3.



ASSEMBLY

-DRAWER SET



ASSEMBLY

-DRAWER&DOOR SET

